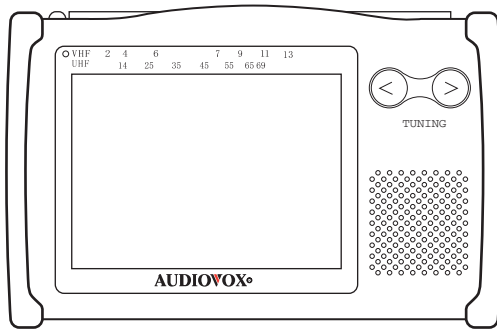


AUDIOVOX®
Model TFT3500
3.5" PORTABLE LCD TELEVISION

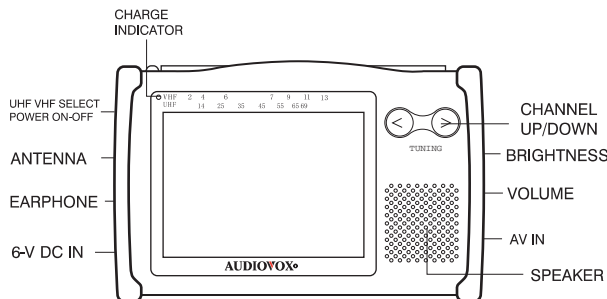


USER'S MANUAL

TECHNICAL SPECIFICATIONS

TV SYSTEM	NTSC - M
POWER SUPPLY	
AC Power Supply:	120V 60HZ AC
DC Power input:	6V DC 500mA
Batteries:	4xAA ALKALINE BATTERIES or 4xAA NiMH BATTERIES
Built-In Battery charger:	2 Hour Quick Charge
SCREEN	3.5 INCH
TV FREQUENCIES	VHF band:channels:2-13 UHF band:channels:14-69
DIMENSIONS (WxHxD)	5.5 x 3.5 x 1.5 inches
WEIGHT	0.55Lbs(without batteries)

CONTROLS, INDICATORS, AND CONNECTIONS



- Charge indicator:** Illuminates when batteries are charging
- UHF/VHF Select/Power On/Off:** Turns power on and off; Selects UHF/VHF TV band
- A/V IN:** Allows you to input a composite video/audio signal into the unit; requires 3.5mm to RCA adaptor (not included)
- Earphone:** 3.5mm earphone jack; provides private listening
- Antenna:** Extend antenna for better reception
- Speaker:**
- 6V DC:** DC input for charging and providing external power to the TV
- Battery Compartment:** Holds 4 x AA alkaline batteries or 4 x AA NiMH rechargeable batteries; Charge switch is located in the battery compartment
- Channel +/-:** Tunes the desired channel; press + to go up, - to go down
- Volume:** Adjust the audio volume level up and down
- Brightness:** Adjusts the brightness of the image on the screen

Important safety information

- WARNING:** DO NOT USE THIS PORTABLE SET WHILE OPERATING A MOVING VEHICLE. THIS IS DANGEROUS, AND MAY BE ILLEGAL IN SOME AREAS.
- WARNING:** TO PREVENT TO DAMAGE WHICH MAY RESULT IN FIRE OR SHOCK HAZARD, DO NOT EXPOSE THIS SET TO RAIN OR MOISTURE.
- WARNING** HIGH VOLTAGE PARTS ARE ACCESSIBLE WHEN THE REAR PANEL IS REMOVED.
- WARNING: THIS UNIT HAS A BUILT-IN BATTERY CHARGER. PLEASE BE SURE TO SWITCH THE CHARGE SWITCH IN THE BATTERY COMPARTMENT TO "OFF" WHEN USING NON- RECHARGEABLE BATTERIES. CHARGING OF NON-RECHARGEABLE BATTERIES CAN RESULT IN DAMAGE OR PERSONAL INJURY.**

Care and maintenance


Clean the TV with a cloth occasionally. Do not use harsh chemicals, cleaning solvents, or strong detergents. Use only the power sources specified in this manual. Use only new batteries of the recommended size. Always remove the batteries if the TV will not be used for several months as the batteries may leak chemicals that destroy the TV's circuits. Handle the TV carefully, dropping it could damage the circuits or case. Be extremely careful with the display screen. Avoid placing the TV in your pocket or purse with objects that could damage the screen. Avoid places with extreme humidity, dust, or extremely high or low temperatures.

Powering UP

AA ALKALINE BATTERIES:

Press the battery cover release tab and gently lift the battery cover open. Set the recharge switch located inside the battery compartment to the "OFF" position. Insert four AA Alkaline batteries observing the polarity symbols(+ and -) shown inside the battery compartment. Close battery cover.

* If using the AC adaptor with Alkaline batteries installed in the TV, **you MUST switch the Recharge switch to the "OFF" position.** Failure to do so can result in personal injury or damage.



Technical features

Power supply	4 x "AA" Batteries or DC 6V 500mA
Display screen	3.5"
Weight	0.55Lbs
System	NTSC - M

Watching TV

Extend the antenna.

Set the power switch to VHF (channels 2-13) or UHF (channels 14-69). The TV starts scanning and stops at the first active signal. Press the tuning +/- buttons to change channels. The channel indicator (red for VHF and green for UHF) aligns with the selected channel number on bottom of the screen.

Adjust the volume to a desired level.

Adjust the brightness if the image is too light or dark

Note: If reception is poor, adjust the length or angle of the antenna. If inside a metal or concrete building, moving closer to a window may improve the reception.

Audio/Video in

With a compatible audio/video adapter (not included), your TV can receive signals from a video device, such as a camcorder or VCR.

Connect the RCA plugs into the video and left/mono jacks of the video device. The yellow plug is for video, the white plug is for audio.

Plug the 3.5mm plug into the A/V IN jack on the side of the TV. Turn on the TV.

Note: Plugging in this jack switches the TV from TV mode to Video mode. Unplugging this jack will return the TV to TV mode.

Powering UP continued

AA NIHM BATTERIES:

Press the battery cover release tab and gently lift the battery cover open.

Set the recharge switch located inside the battery compartment to the "ON" position

Insert the four NiMH batteries observing the polarity symbols (+ and -) shown inside the battery compartment.

Close battery cover.

Connect the AC adaptor/charger to the DC input connector.

Charge the batteries for at least 2 hours. The charge indicator will be illuminated while the batteries are recharging.

If using the AC adaptor with Alkaline batteries installed in the TV, you MUST switch the Recharge switch to "OFF" position. Failure to do so can result in personal injury or damage.

AC ADAPTER/CHARGER:

A 6V DC 500mA AC adaptor/Charger can also be used to power the TV in your home or office. Simply connect the AC adaptor/Charger to the DC Input on your TV. The rechargeable NiMH batteries will be recharged while you are watching the TV, though the recharge time will be increased. For best results, it is recommended that you recharge the batteries with the unit off.

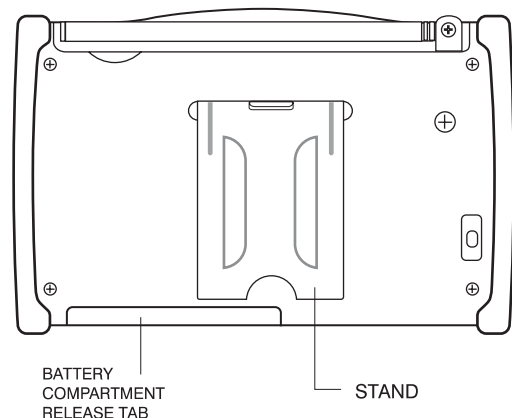
Headphones

For private listening, you can connect optional mono headphones to the 3.5mm EAR jack. This automatically mutes the built-in speaker.

Set the VOLUME to the lowest setting before you plug in the headphones. After the headphones are connected, adjust the volume to a comfortable level.

TV Stand

The TV stand (located on the rear of this unit) gives you the convenience of placing the TV on a flat surface for easy viewing. Pull the stand slowly until it locks into place. Do not pull the stand beyond the lock position. When finished using the stand, snap it back into place.



Troubleshooting

Problem	Solution
No picture and/or no sound	Check the battery polarity. If using an AC power adaptor, make sure it is the correct voltage (6VDC 500mA), the correct polarity +/-, and connected properly. Recharge the batteries. Change the batteries.
Picture, but no sound	Make sure headphones are disconnected. Adjust VOLUME control. If using an external video source, check all connections.
Sound, but no picture	Check the Batteries. Batteries may need replacement or charging Adjust the antenna. Adjust the brightness. If using a video source, check all connections.
No color	Adjust the antenna. Re-adjust the tuning.
Picture not clear	Extend the antenna fully and adjust the angle and direction. Re-adjust the tuning. Batteries may need charging or replacement if alkaline. Move the TV away from devices which may cause interference.

Free Manuals Download Website

<http://myh66.com>

<http://usermanuals.us>

<http://www.somanuals.com>

<http://www.4manuals.cc>

<http://www.manual-lib.com>

<http://www.404manual.com>

<http://www.luxmanual.com>

<http://aubethermostatmanual.com>

Golf course search by state

<http://golfingnear.com>

Email search by domain

<http://emailbydomain.com>

Auto manuals search

<http://auto.somanuals.com>

TV manuals search

<http://tv.somanuals.com>