



DOCKING DIGITAL MUSIC SYSTEM FOR iPod®

ESTACIÓN DE SISTEMA DE MÚSICA DIGITAL PARA iPod®
CONNEXION DU SYSTEME MUSICAL DIGITAL POUR iPod®



OWNER'S MANUAL

MANUAL DEL USUARIO/GUIDE DU PROPRIETAIRE

CE710CR

(iPod® Not Included/iPod® No Incluido/iPod® non inclus)

PLEASE READ THIS OPERATING MANUAL COMPLETELY BEFORE OPERATING
THIS UNIT AND RETAIN THE BOOKLET FOR FUTURE REFERENCE

CE710CR IB 09/01/2009 VER 18.0
fold size: 148.5 x 210mm (15 pcs 297 x 210mm - 60PP)
printing color: Black (black on white / BK+BK)



Table of Contents

Dear Audiovox Customer	1
Important Safety Instructions	2
Compliance With FCC Regulations	4
Product Features	4
Installation	5
Location of Controls	6
iPod® Adaptors	8
Radio Operation	9
iPod Docking	10
Docking 1 st and 2 nd Generation iPod Nanos	11
Video Out from the iPod®	12
Auxiliary Input	13
Clock and Calendar Settings	13
Alarm Operations	14
Care and Maintenance	15
Troubleshooting Guide	16
Specifications	17
Warranty	18

iPod®, iPod® Mini, iPod® Nano, iPod® Shuffle, iPod® Classic and iPod® Touch are trademarks of Apple Computer Inc., registered in the U.S. and other countries.

Tabla de Contenidos

Estimado Cliente de Audiovox	19
Instrucciones de Seguridad Importantes	20
Cumplimiento de las Regulaciones de la FCC	22
Características del Producto	22
Instalación	23
Ubicación de Controles	24
Adaptadores de iPod®	26
Operaciones del Radio	27
Estación de iPod®	28
Conectando iPods nano de 1ra y 2da Generación	29
Salida de Video Desde el iPod®	30
Entrada Auxiliar	31
Configuración del Reloj y del Calendario	31
Operaciones de Alarma	32
Cuidados y Mantenimiento	33
Guía de Solución de Problemas	34
Especificaciones	35
Garantía	36

iPod®, iPod® Mini, iPod® Nano, iPod® Shuffle (aleatorio), iPod® Classic and iPod® Touch (toque) son marcas registradas de Apple Computer Inc., registradas en Estados Unidos y otros países.

Table des Maitieres

Cher Client Audiovox.....	37
Instructions de Securite Importante.....	38
Conformite Avec des Reglements FCC.....	40
Product Features	40
Installation	41
Emplacement des Controles	42
iPod® Adaptors	44
Operations Radio.....	45
Radio Operation	46
iPod Docking	47
Branchement 1ère et 2ème generation iPod nanos	48
Sortie Video de l'iPod®	49
Entrée Auxiliaire	50
Reglages Horloge et Calendrier	50
Operations d'Alarme	51
Soin et Entretien	52
Guide du Depannage	53
Specifications	54
Garantie.....	55

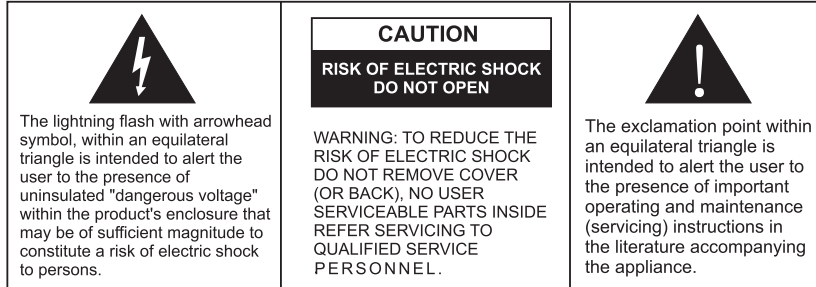
iPod®, iPod® Mini, iPod® Nano, iPod® Shuffle, iPod® Classic et iPod® Touch sont les marques deposees de Apple Computer Inc., enregistrees aux Etats-Unis et d'autres pays.

DEAR AUDIOVOX CUSTOMER

Selecting fine audio equipment such as the unit you've just purchased is only the start of your musical enjoyment. Now it's time to consider how you can maximize the fun and excitement your equipment offers. This manufacturer and the Electronic Industries Association's Consumer Electronics Group want you to get the most out of your equipment by playing it at a safe level. One that lets the sound come through loud and clear without annoying blaring or distortion and, most importantly, without affecting your sensitive hearing. Sound can be deceiving. Over time your hearing "comfort level" adapts to higher volumes of sound. So what sounds "normal" can actually be loud and harmful to your hearing. Guard against this by setting your equipment at a safe level BEFORE your hearing adapts. To establish a safe level: Start your volume control at a low setting. Slowly increase the sound until you can hear it comfortably and clearly, and without distortion. Once you have established a comfortable sound level: Set the dial and leave it there. Taking a minute to do this now will help to prevent hearing damage or loss in the future. After all, we want you listening for a lifetime. We Want You Listening For a Lifetime Used wisely, your new sound equipment will provide a lifetime of fun and enjoyment. Since hearing damage from loud noise is often undetectable until it is too late, this manufacturer and the Electronic Industries Association's Consumer Electronics Group recommend you avoid prolonged exposure to excessive noise. Customer's Record: The serial number of this product is found on its bottom cover. You should note the serial number of this unit in the space provided as a permanent record of your purchase to aid in identification in the event of theft or loss.

Model Number: CE710CR

Serial Number: _____



*See Bottom of Unit

WARNING:

To reduce the risk of fire or electric shock, do not expose this apparatus to rain or moisture.

The apparatus shall not be exposed to dripping or splashing and that no objects filled with liquid such as vases, shall be placed on the apparatus.

IMPORTANT SAFETY INSTRUCTIONS

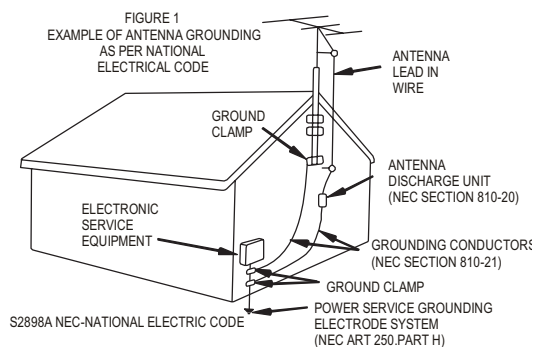
THE IMPORTANT SAFETY INSTRUCTIONS SHALL INCLUDE, AS APPLICABLE TO THE APPLIANCE, STATEMENTS THAT CONVEY TO THE USER THE INFORMATION ITEMIZED IN THIS PARAGRAPH:

1. Read these instructions - All the safety and operating instructions should be read before the appliance is operated
2. Keep these instructions - The safety and operating instructions should be kept for future reference.
3. Heed all warnings - All warnings on the appliance and in the operating instructions should be adhered to.
4. Follow all instructions - All operation and use instructions should be followed.
5. Do not use this apparatus near water - The appliance should not be used near water; for example, near a bath tub, washbowl, kitchen sink, laundry tub, in a wet basement, or near a swimming pool, and the like.
6. Clean only with dry cloth - The appliance should be cleaned only as recommended by the manufacturer.
7. Do not block any ventilation openings. Install in accordance with the manufacturer's instructions. - The appliance should be situated so that its location or position does not interfere with its proper ventilation. For example, the appliance should not be situated on a bed, sofa, rug, or similar surface that may block the ventilation openings; or placed in a built-in installation, such as a bookcase or cabinet that may impede the flow of air through the ventilation openings.
8. Do not install near any heat sources such as radiators, heat registers, stoves or other apparatus (including amplifiers) that produce heat.
9. Do not defeat the safety purpose of the polarized or grounding-type plug. A polarized plug has two blades with one wider than the other. A grounding type has two blades and a third grounding prong. The wide blade or the third prong are provided for your safety. If the provided plug does not fit into your outlet, consult an electrician for replacement of the obsolete outlet.
10. Protect the power cord from being walked on or pinched particularly at plugs, convenience receptacles, and the point where they exit from the apparatus.
11. Only use attachments / accessories specified by the manufacturer.
12. Use only with the cart, stand, tripod, bracket, or table specified by the manufacturer, or sold with the apparatus. When a cart is used, use caution when moving the cart/apparatus combination to avoid injury from tip-over.
13. Unplug this apparatus during lightning storms or when unused for a long periods of time.



IMPORTANT SAFETY INSTRUCTIONS

14. Refer all servicing to qualified service personnel. Servicing is required when the apparatus has been damaged in any way, such as power-supply cord or plug is damaged, liquid has been spilled or objects have fallen into the apparatus, the apparatus has been exposed to rain or moisture, does not operate normally, or has been dropped.
15. Wall and Ceiling Mounting - The appliance should be mounted to a wall or ceiling only as recommended by the manufacturer.
16. Power Lines - An outdoor antenna should be located away from power lines.
17. Outdoor Antenna Grounding - If an outside antenna is connected to the receiver, be sure the antenna system is grounded so as to provide some protection against voltage surges and built up static charges. Section 810 of the National Electrical Code, ANSI/ NFPA No.70-1984, provides information with respect to proper grounding of the mast and supporting structure, grounding of the lead-in wire to an antenna discharge unit, size of grounding conductors, location of antenna discharge unit, connection to grounding electrodes, and requirements for the grounding electrode. See figure 1.



18. Object and Liquid Entry - Care should be taken so that objects do not fall and liquids are not spilled into the enclosure through openings.
19. Power Sources - The appliance should be connected to a power supply only of the type described in the operating instructions or as marked on the appliance. Do not overload wall outlet.
20. Servicing - The user should not attempt to service the appliance beyond that described in the operating instructions. All other servicing should be referred to qualified service personnel.
21. All markings are located on the exterior bottom enclosure of the apparatus.
22. **CAUTION:** Danger of explosion if battery is incorrectly replaced. Replace only with the same or equivalent type.
23. The mains plug is used as the disconnect device from the mains.

CAUTION:

TO PREVENT ELECTRIC SHOCK, MATCH WIDE BLADE OF PLUG TO WIDE SLOT. FULLY INSERT THE PLUG TO MAIN POWER SOCKET. S2898A NEC-NATIONAL ELECTRIC CODE



COMPLIANCE WITH FCC REGULATIONS

This device complies with Part 15 of the FCC Rules. Operation is subject to the following two conditions: (1) this device may not cause harmful interference, and (2) this device must accept any interference received, including interference that may cause undesired operation.

NOTE: This equipment has been tested and found to comply with the limits for a Class B digital device, pursuant to Part 15 of the FCC Rules. These limits are designed to provide reasonable protection against harmful interference in a residential installation. This equipment generates, uses and can radiate radio frequency energy and, if not installed and used in accordance with the instructions, may cause harmful interference to radio communications. However, there is no guarantee that interference will not occur in a particular installation. If this equipment does cause harmful interference to radio or television reception, which can be determined by turning the equipment off and on, the user is encouraged to try to correct the interference by one or more of the following measures:

- Reorient or relocate the receiving antenna.
- Increase the separation between the equipment and receiver.
- Connect the equipment into an outlet on a circuit different from that to which the receiver is connected.
- Consult the dealer or an experienced radio/TV technician for help.

CAUTION: Changes or modifications not expressly approved by the party responsible for compliance could void the user's authority to operate the equipment.

PRODUCT FEATURES

CE710CR is an iPod® Docking Music System which incorporates the following features:

- iPod®, iPod® Mini, iPod 1st to 3rd Generation Nano, iPod® Classic and iPod® touch Player / Recharger
- Audio Line-in for Connecting CD Player or Other Digital Audio Player
- 2 Built-in High Fidelity Aluminum Cone Speakers
- Multi-function Back-lit LCD Display
- Interchangeable iPod® Adaptors
- FM Stereo Receiver with 10FM Presets, Digital Tuning and Auto Search Function
- Electronic Volume Control
- Wake to Radio, Alarm or iPod®
- Snooze and Sleep Functions
- Built-in Contractible Aux Cord with 3.5mm Aux Plug
- External FM Antenna Jack for Better FM Reception Card Size Remote Control for Radio and iPod® Functions
- Output: 2 X 3W MAX.
- Video Line-out provides video signal output when iPod® with video is docked.

INSTALLATION

Clock Back-up Batteries Installation

1. Open the battery compartment door located at the bottom of the unit.
2. Install two DC1.5V 'AAA' (UM-4) batteries (not included) in the battery compartment following the polarity markings shown on it.
3. Replace the battery door on the battery compartment.

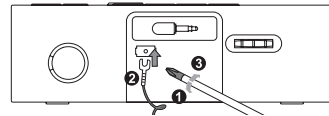
NOTE: Please disconnect the main power from the unit before replacing the clock back-up batteries.

WARNING:

- Be sure that the batteries are installed correctly. Wrong polarity may damage the unit.
- Do not mix old and new batteries.
- Do not mix alkaline, standard (carbon-zinc) or rechargeable (nickel-cadmium) batteries.
- Only batteries of the same or equivalent type as recommend are to be used.
- If the unit is not to be used for an extended period of time, remove the battery.
- Do not dispose of batteries in fire, batteries may explode or leak.
- Batteries shall not be exposed to excessive heat such as sunshine, fire or the like.

FM Antenna Installation

The FM Antenna Wire is provided in the package. Please see the illustration below for FM Antenna Wire installation.



Remote Control

The remote control operates on one CR2032 battery (included). To activate the remote control, remove the insulation tab inserted in the battery compartment.

Connect the FM Antenna Wire to the antenna terminal at the rear of the main unit

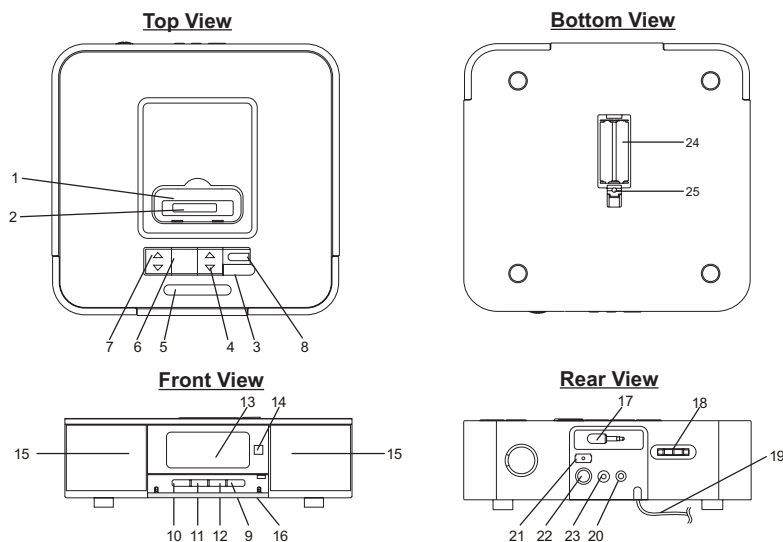
AC Power

Connect the AC power plug into your household AC power outlet (120VAC/60Hz).

NOTE: This unit is not magnetically shielded and may cause color distortion on the screen of some TVs or video monitors. To avoid this, you may need to move the unit further away from the TV or monitor if unnatural color shifts or image distortion occurs.

LOCATION OF CONTROLS

Main Unit

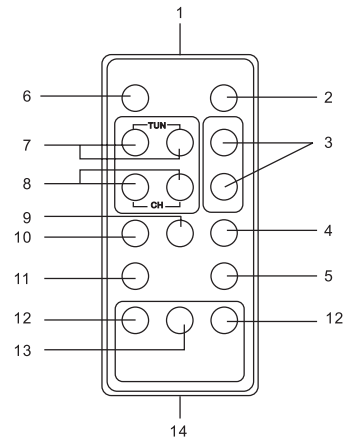


1. iPod® Dock
2. iPod® Docking Connector
3. POWER On/Off Button - To turn the unit on or off
4. VOLUME +/- Buttons - Adjust the volume level up or down
5. SNOOZE/LIGHT Button - Activate the snooze function; Turn the LCD backlight on or off
6. TUN +/- /iPod ►►/◄◄ Buttons - Tune the radio channel frequency up or down; iPod® Skip/Search. Forward/Backward Buttons ◄◄ for Backward, ►► for Forward.
7. CH +/- Buttons - Select the preset radio stations
8. ALARM On/Off Button - Switch the alarm on or off
9. SLEEP Button - Select the time duration of the sleep timer
10. MODE Button - Enter the setting mode
11. MEM/iPod ►► Button - Save the radio preset stations; save settings; iPod® PLAY/PAUSE
12. FUNCTION Button - Select FM Radio, iPod® mode and AUX (auxiliary input) mode
13. LCD Display
14. Remote Infra-red Sensor
15. Pair of Speakers
16. Front control cover
17. AUX in Jack - An Audio Cable with a 3.5mm stereo plug for the connection of external audio device
18. Cord Retracting Wheel - For extending or retracting the auxiliary cord
19. AC power cable and plug
20. Headphone Jack
21. FM Antenna Terminal
22. S-VIDEO Jack - S-Video signal output
23. RCA VIDEO Jack - Composite video signal output
24. Battery Compartment - It is to contain two 'AAA' batteries for clock back-up
25. RESET Button - For resetting the unit

LOCATION OF CONTROLS




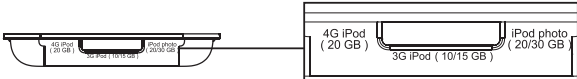


Remote Control

1. Infra-red Transmitter
2. POWER On/Off Button
3. VOL +/- Button
4. FUNCTION Button
5. ALARM On/Off Button
6. SNOOZE/LIGHT Button
7. TUN Up/Down Buttons
◀ for Down, ▶ for Up
8. CH +/- Buttons
9. MEM Button
10. MODE Button
11. SLEEP Button
12. iPod® Skip/Search Forward/Backward Buttons
◀ for Backward, ▶ for Forward.
13. iPod® PLAY/PAUSE
14. Battery Compartment



iPod® ADAPTORS

Please see below for the iPod® Adaptor included in the package:

iPod Models	iPod Adaptor
Docking Cover	
iPod® Nano (1st and 2nd Gen)	
iPod® Mini	
3Gen iPod® 10/15GB 4Gen iPod® 20GB iPod® Photo 20/30GB	
3Gen iPod® 30/40GB 4Gen iPod® 40GB	
iPod® Photo 40/60GB	

NOTE: No adaptors are provided for iPod® with video 30GB, 60GB and 80GB, iPod® 3Gen Nano, iPod® Classic and iPod® Touch. Please use the adaptors included with these iPods at time of purchase. They will fit properly into the docking stations of this system.

RADIO OPERATION

FM Antenna

Connect the detachable FM Antenna Wire to the FM Antenna Terminal as instructed in the section "INSTALLATION". Fully extend the FM Antenna Wire for maximum reception.

Radio Tuning

1. Press the **POWER** button to turn the unit on.
2. Press the **FUNCTION** button repeatedly until "FM" mode is reached.
3. In FM radio mod, if necessary, press the **MODE** button to select STEREO (ST) or MONO FM reception.
4. To manually tune the radio station, repeatedly press the **TUN** Up/Down buttons.
5. To automatically search the next or previous station with the strongest signal, press and hold the **TUN** Up/Down buttons until the frequency readout on the display begins to scan and then release the button. The tuner will stop scanning when a strong signal is reached.

NOTE: Use manual tuning to select weaker stations that might be bypassed during automatic tuning. If the automatic search does not stop at the exact frequency, for example, it stops at 100.9MHz instead of 100.8MHz, press **TUN +/-** to finely tune the exact frequency.

Preset Stations

The unit allows you to store up to 10FM stations in the preset memory positions for easy recalling any time.

1. Press the **POWER** button to turn on the unit.
2. To activate the radio, press the **FUNCTION** button to select FM band.
3. Tune to your desired station by pressing the **TUN +/-** buttons.
4. Press the **MEM** button. The preset channel number "01" and the icon "MEM" will flash on the display.
5. Select your desired preset number by pressing the **CH +/-** buttons.
6. After the preset channel number is selected, press the **MEM** button to confirm your selection. The station is saved in the preset channel now.
7. To store additional stations, repeat steps 3-6.

Radio Broadcast System Selection

When the unit is used in another country with a slightly different radio broadcast system, the unit allows you to select USA, EU and Japan systems.

1. Set the unit to Power Off mode.
2. Press the **MODE** button repeatedly until the flashing "USA", "EU", or "JP" is seen.
3. Press the **TUN +/-** button to select one of the broadcasting systems.
4. Press the **MEM** button to save the setting and exit the setting mode.

NOTE: The following are the specifications of the three radio broadcast systems:

USA's Radio Broadcast System

FM 87.5 MHz - 108 MHz, 0.1 MHz tuning step

Japan's Radio Broadcast System

FM 76.0 MHz - 108 MHz, 0.1 MHz tuning step

EU's Radio Broadcast System

FM 87.5 MHz - 108 MHz, 0.05 MHz tuning step

Tips for the best reception

- To obtain the best FM reception, fully extend the FM antenna and adjust the direction.
-

iPod DOCKING

This model includes adaptors for adopting different iPod® models. If the docking port will not be used for an extended period of time, it is recommended to cover the docking port by using the "Dock Cover" insert (included).

1. Select a suitable adaptor for your iPod® and insert it into the docking area. Your iPod® can now be inserted into the docking port by placing the connector on the bottom of the iPod® onto the connector in the docking bay.

Note: Please be careful when seating the iPod into the docking to avoid damaging the 30-pin connector on iPod or docking system.

2. Press the **POWER** On/Off button to switch on the docking system.
3. Press the **FUNCTION** button repeatedly until the indicator "iPod" shows on the display. The iPod® will start playing and charging automatically.
4. Select your desired EQ and play mode in your iPod®.
5. Press the **VOL +/-** button on the docking system to adjust your desired volume level.

NOTE: The volume level cannot be adjusted by the volume control of your iPod® after being docked.

6. The iPod® is charging even during playback.

NOTE: The recharge function still operates in Radio, iPod and AUX mode.

7. To remove the iPod® from the unit, press and hold the **PLAY/PAUSE** button for three seconds to switch off the device and then gently remove it from the docking connector.

You may control the playback of your iPod® by:

- Press the **PLAY/PAUSE** **▶|** button to pause or resume the iPod® playback;
- Press the iPod Skip/Search Forward **▶▶** or Backward **◀◀** button to skip to the next or previous song;
- Press and hold the iPod Skip/Search Forward **▶▶** or Backward **◀◀** button for fast-forwarding or fast-rewinding during playback.

DOCKING 1st AND 2nd GENERATION iPod NANOS

First, install the iPod® Nano bracket into the CE710CR dock.

1st Generation iPod nano:

Align your 1st generation iPod® Nano to the LEFT side of the opening in the nano bracket (Figure 1). Make sure the 30-pin connector on the bottom of the nano is positioned over the connector in the CE710CR dock prior to seating the nano. Carefully slide the nano down onto the connector in order to insure a secure connection.



Figure 1

2nd Generation iPod nano:

Align your 2nd generation iPod® Nano in the RIGHT of the opening in the nano bracket (Figure 2). Make sure the 30-pin connector on the bottom of the nano is positioned over the connector in the CE710CR dock prior to seating the nano. Carefully slide the nano down onto the connector in order to ensure a secure connection.

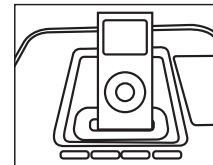


Figure 2

Note: Be careful not to damage the connector when docking the nano. Never use force when docking the nano onto the connector.

VIDEO OUT FROM THE iPod®

You are able to view videos and photos stored in your 5th Generation iPod®, iPod® 3Gen Nano, iPod® Classic and iPod® Touch on a larger television screen or monitor using the Video Output jacks provided on this model.

Two video output jacks are available on this model.

1. S-VIDEO - S-Video signal.
2. RCA VIDEO - composite video signal (most common on standard televisions with video in).

Video Out (For 5th Generation iPods with video, iPod 3Gen nano, iPod classic and iPod touch ONLY)

1. You can connect this unit to a television or other video display that has S-video or composite video input.
2. Securely dock the iPod® with video.
3. Connect the S-video cable into the rear S-video jack or yellow RCA cable to rear RCA video jack on the unit.
4. Connect the other end of the S-video or yellow RCA cable to VIDEO IN of television or video display.
5. Press the FUNCTION button to select iPod® mode.
6. Select a movie from your iPod® menu.
7. iPod: On the main menu choose video then select video setting.
8. iPod: Make sure the TV Out section is set to "ON".
9. iPod: Switch back to the movie library and play the movie of your choice.

Note: For the initial docking of the iPod(3Gen) nano,iPod classic and iPod touch, you may wait for the finishing of iPod authentication process then the video signal output to your TV screen or monitor.

For Photo view (For iPod with color display ONLY-excludes 1st and 2nd Gen nano)

1. Press the FUNCTION button to select iPod mode.
2. Securely dock the iPod with color display.
3. iPod: At TV make sure set to "ON"
4. iPod: Go to Photo Library and then press play. The slideshow will play on your device.

Note:

1. For the initial docking of the iPod(3Gen) nano,iPod classic and iPod touch, you may wait for the finishing of iPod authentication process then the video signal output to your TV screen on monitor.
2. The RCA Video input connector on a television is usually color coded yellow to match the color on the AV cable.
3. When playing slideshows or videos, the audio will only playback on the unit speaker.
4. S-video and RCA cables are not included.

AUXILIARY INPUT

The auxiliary input cable and plug are built in the unit and allows users to connect their CD player, MP3 player or other non-dockable iPods to the unit.

1. Keep turning the Cord Retracting Wheel, located at the rear of the unit, to the right and pull out the AUX IN Cable located next to the wheel.
2. Connect the AUX IN Stereo Plug to the Line Out Jack or Headphone Jack of your external audio device.
3. Switch on the audio device.
4. Press the **FUNCTION** button repeatedly until AUX mode is displayed. The display will show the icon "AUX".
5. Control the volume level by the volume control on the audio device or pressing the **VOL +/-** on the main unit or the remote control.

NOTE:

If you're connected using the Line Out Jack of your external device, then you can only adjust the volume using the CE710CR control. If you're connected using the Headphone Jack of your external device, then you may need to adjust both the volume controls (CE710CR and external device) to get the best volume level.

Press the ON/OFF button to turn off the unit when you finish listening. Don't forget to switch off the power of your external device as well.

CLOCK AND CALENDAR SETTINGS

The clock and calendar can be set in Power Off mode.

Clock Setting

1. Press the **MODE** button 3 times, the clock starts to flash.
2. Press the **TUN +/-** button to set the hour.
3. Press the **VOL +/-** button to set the minute.
4. Press the **MEM** button to confirm the settings.

12/24 Hour Time Display Mode Setting

1. Press the **MODE** button repeatedly until the 12/24 Hour Format Setting mode is reached. The flashing "12hr" or "24hr" will be displayed.
2. Press **TUN +/-** button to select 12 hour or 24 hour time display mode.
3. Press the **MEM** button to confirm the setting.

Calendar Setting

Year

1. Press the **MODE** button repeatedly until the year setting mode is reached. The year readout flashes now.
2. To set the year, press the **TUN +/-** button to set the correct year.
3. Press the **MEM** button to confirm the setting.

Month/Date

1. Press the **MODE** button repeatedly until the Month/Date setting mode is reached. The readout of the Month/Date flashes now.
2. To set the month, press the **TUN +/-** button. To set the date, press the **VOL +/-** button.
3. Press the **MEM** button to confirm the settings.

ALARM OPERATIONS

Setting the Alarm Time

When the unit is in Power Off mode:

1. Press the **MODE** button once. The alarm clock display flashes now.
2. Press the **TUN +/-** button to set the alarm hour and **VOL +/-** button to set the alarm minute.
3. Press the **MODE** button again. The alarm icon will flash.
4. Select "Wake to Buzzer", "Wake to Radio" or "Wake to iPod®" by pressing the **VOL +/-** button.

NOTE:

- When "Wake to Radio" is selected, ensuring that your desired radio station is tuned and the proper volume level is set.
 - When "Wake to iPod®" is selected but your iPod has not been docked, the alarm source will be redirected to the Buzzer automatically when the alarm time is reached.
-

5. Press the **MEM** button to save all the settings and exit the setting mode.
6. To activate the daily alarm, the press the **ALARM On/Off** button. The icon "🔔" will appear on the display.
7. When the alarm time is reached, the alarm will sound from the selected source immediately.

Wake to Buzzer (BUZ 🔔)

- After the alarm time is reached, the buzzer alarm will sound immediately for one minute.
- After the first alarm minute, it will switch to Auto Snooze mode. Once the alarm is off, the next alarm will come again after the 10 minute snooze period is completed. This operation will be repeated 3 times. After the third alarm is finished, the alarm will shut off until the same alarm time on the next day.
- To stop the buzzer alarm immediately, press the **ALARM On/Off** button once.

Wake to Radio (🔔 RAD)

- The radio will automatically turn on when the alarm time is reached. It starts softly and becomes gradually louder.
- The radio alarm will keep for 60 minutes and then will automatically shut off.
- To stop the radio alarm sound immediately, press the **ALARM On/Off** button once.

Wake to iPod® (🔔 iPod)

- Your docked iPod will automatically switch on when the alarm time is reached. It starts softly and becomes gradually louder.
- The iPod playback will keep for 60 minutes and then automatically shut off.
- To stop the iPod playback immediately, press the **ALARM On/Off** button once.

Snooze Function

- When the alarm sounds, it can be temporarily stopped by pressing the **SNOOZE** button. The display will show the indicator "SNOOZE".
- The alarm will be delayed for 10 minutes and then come again.
- This manual snooze operation can be repeated only three times.

Sleep Timer

- The Sleep Timer allows you to set the unit to automatically power off after a selected sleep time is set.
- To activate the Sleep Timer and select the sleep time, press the **SLEEP** button repeatedly. The sleep times available for choosing are: 15, 30, 45 or 60 minutes. The display will show the indicator "SLEEP".
- To switch off the Sleep Timer, press the **SLEEP** button repeatedly until the SLEEP indicator disappears.
- To switch off the unit before the selected sleep time, press the **POWER On/Off** button once.
- To check the current sleep time, press the **SLEEP** button once.

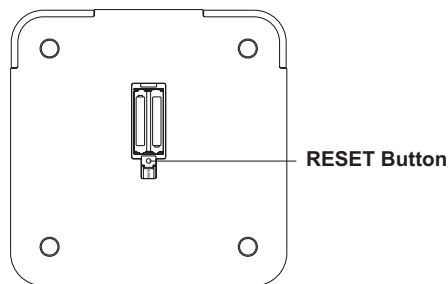
CARE AND MAINTENANCE

- Do not subject the unit to excessive force, shock, dust or extreme temperature.
- Do not tamper the internal components of the unit.
- Clean your unit with a dry cloth only. Solvent or detergent should never be used.
- Avoid leaving your unit in direct sunlight or in hot, humid or dusty places.
- Keep your unit away from heating appliances and sources of electrical noise such as fluorescent lamps or motors.

Resetting the Unit

If the unit is subject to a power surge or electric shock, it is possible that the internal micro-controller may lock up and the unit will not respond to any commands from the top panel controls or remote control.

1. In this event, unplug and then reconnect the AC power plug into the wall outlet.
2. Use a straightened paper clip, toothpick or similar objects to press the **RESET** button located on the bottom of the main unit (see the below figure). The reset operation clears the system memory and all of your previous settings will be erased. **CAUTION: DO NOT USE SHARP, POINTED OBJECT TO PRESS THE RESET BUTTON. IT MAY DAMAGE THE RESET SWITCH INSIDE THE UNIT.**



TROUBLESHOOTING GUIDE

Sympton	Possible Problem	Solution
The unit does not respond (no power)	AC power plug is not plugged into a wall outlet	Plug the AC power plug into a wall outlet.
	Wall outlet is not functioning	Plug another device into the same outlet to confirm the outlet is working.
iPod® does not dock properly	Using wrong/no iPod® adaptor	Make sure the dock insert is the proper fit for you iPod®.
	iPod® does not install properly.	Remove your iPod® from the dock and check for obstruction on the connectors in the dock and on your iPod®. Then reseal it in the dock.
iPod® does not respond to the speaker system	iPod® is not installed properly.	Remove your iPod® from the dock and check for obstruction on the connectors in the dock and on your iPod®. Then reseal it on the dock.
	Your iPod® is locked up.	Please make sure that your iPod® is working properly before docking into the unit. Please refer to your iPod® manual for details.
iPod® does not charge up	iPod® is not installed properly.	Remove your iPod® from the dock and check for obstruction on the connectors in the dock and on your iPod®. Then reseal it in the dock.
	iPod® is locked up/ frozen. iPod® battery has problem.	Please make sure your iPod® is working properly before docking into the unit. Please refer to your iPod® manual for details.
Sound is distorted	Volume level is set too high.	Decrease the volume.
	Sound source is distorted.	If the iPod® original sound source is of poor quality, distortion and noise are easily noticed with high-power speakers. Try a different audio source such as a music CD.
		If you are using an external sound source like older generation of iPod®, try reducing the output volume on the device itself. Also try turning bass boost OFF or change the EQ setting.
Unit gets warm after extended play at high volume	This is normal.	Turn the unit off for a period of time or lower volume.

SPECIFICATIONS

Power Requirement

Input AC120V/60Hz
Battery Back-up for Clock 2 x 1.5V 'AAA'(UM-4) Batteries
Remote Control 1 x CR2032 Lithium Battery

Frequency Range

USA's Radio Broadcast System FM 87.5 MHz - 108 MHz, 0.1 MHz tuning step
EU's Radio Broadcast System FM 87.5 MHz - 108 MHz, 0.05 MHz tuning step
Japan's Radio Broadcast System FM 76.0 MHz - 108 MHz, 0.1 MHz tuning step

Rating Power 19W



AUDIOVOX®

90 DAY LIMITED WARRANTY

Applies to Audiovox Portable Stereos

AUDIOVOX ELECTRONICS CORPORATION (the Company) warrants to the original retail purchaser of this product that should this product or any part thereof, under normal use and conditions, be proven defective in material or workmanship within 90 days from the date of original purchase, such defect(s) will be repaired or replaced with new or reconditioned product (at the Company's option) without charge for parts and repair labor.

To obtain repair or replacement within the terms of this Warranty, the product is to be delivered with proof of warranty coverage (e.g. dated bill of sale), specification of defect(s), transportation prepaid, to an approved warranty station. For the location of the nearest warranty station to you, call toll-free to our control office: **1-800-645-4994**

This Warranty does not extend to the elimination of externally generated static or noise, to correction of antenna problems, to costs incurred for installation, removal, or reinstallation of the product, or damage to tapes, compact discs, speakers, accessories, or electrical systems.

This Warranty does not apply to any product or part thereof which, in the opinion of the Company, has suffered or been damaged through alteration, improper installation, mishandling, misuse, neglect, accident, or by removal or defacement of the factory serial number/bar code label(s). THE EXTENT OF THE COMPANY'S LIABILITY UNDER THIS WARRANTY IS LIMITED TO THE REPAIR OR REPLACEMENT PROVIDED ABOVE AND, IN NO EVENT, SHALL THE COMPANY'S LIABILITY EXCEED THE PURCHASE PRICE PAID BY PURCHASER FOR THE PRODUCT.

This Warranty is in lieu of all other express warranties or liabilities. ANY IMPLIED WARRANTIES, INCLUDING ANY IMPLIED WARRANTY OF MERCHANTABILITY, SHALL BE LIMITED TO THE DURATION OF THIS WRITTEN WARRANTY. ANY ACTION FOR BREACH OF ANY WARRANTY HEREUNDER INCLUDING ANY IMPLIED WARRANTY OF MERCHANTABILITY MUST BE BROUGHT WITHIN A PERIOD OF 12 MONTHS FROM DATE OF ORIGINAL PURCHASE. IN NO CASE SHALL THE COMPANY BE LIABLE FOR ANY CONSEQUENTIAL OR INCIDENTAL DAMAGES FOR BREACH OF THIS OR ANY OTHER WARRANTY. No person or representative is authorized to assume for the Company any liability other than expressed herein in connection with the sale of this product.

Some states do not allow limitations on how long an implied warranty lasts or the exclusion or limitation of incidental or consequential damage so the above limitations or exclusions may not apply to you. This Warranty gives you specific legal rights and you may also have other rights which vary from state to state.



Audiovox Electronics Corporation, Hauppauge, New York 11788 • 1-800-645-4994

ESTIMADO CLIENTE DE AUDIOVOX

Seleccionando una buena unidad de audio como la que compró recién es solamente el inicio de su entretenimiento musical. Ahora es momento de considerar cómo puede maximizar la diversión y emoción que su equipo le ofrece. Este fabricante y el Grupo de Consumidores de Electrónica de la Asociación de Industrias de Electrónica quieren que usted obtenga lo mejor de su equipo, utilizándolo en un nivel seguro. De tal forma que le permita al sonido salir fuerte y claro sin distorsiones molestas y, lo más importante, sin afectar la sensibilidad de su oído. El sonido puede ser engañoso. En el tiempo, su "nivel de confort" al escuchar se adapta a volúmenes más altos. De manera tal que los sonidos "normales" pueden ser en realidad fuertes y dañinos a su audición. Cuidese de esto configurando su equipo a un nivel seguro ANTES de que su oído se adapte. Para establecer un nivel seguro: Inicie el control de volumen bajo. Lentamente aumente el sonido hasta que pueda escucharlo confortable y claramente, y sin distorsión. Una vez establecido un nivel de sonido confortable: Configure el dial y déjelo ahí. Tomar un minuto para hacer eso ahora, ayudará a prevenir daños o pérdida de audición en el futuro. Después de todo, queremos que usted escuche toda la vida. Queremos Que Usted Escuche Toda La Vida Usado sabiamente, su nuevo equipo le brindará toda una vida de diversión y entretenimiento. Como el daño al oído debido a sonidos fuertes se detectan usualmente demasiado tarde, este fabricante y el Grupo de Consumidores de Electrónica de la Asociación de Industrias Electrónicas recomienda evitar la exposición prolongada al ruido excesivo. Registro del Cliente: El número de serie de este producto se encuentra en la cubierta inferior. Usted debería anotar el número de serie de esta unidad en el espacio provisto como registro permanente de su compra para ayudar la identificación en el caso de robo o pérdida.

Número de Modelo: CE710CR

Número de Serie: _____

 <p>La luz intermitente con el símbolo con punta de flecha dentro de un triángulo equilátero tiene como objetivo alertar al usuario de la presencia de "voltaje peligroso" no aislado dentro del producto, que puede ser lo suficientemente importante como para constituir para las personas un riesgo de choque eléctrico.</p>	<p style="text-align: center;">CAUTION</p> <p style="text-align: center;">RISK OF ELECTRIC SHOCK DO NOT OPEN</p> <p>ADVERTENCIA: PARA REDUCIR EL RIESGO DE CHOQUE ELÉCTRICO NO quite la cobertura (o contratapa), no hay partes adentro a reparar por el usuario, diríjase a un service calificado. CUIDADO RIESGO DE CHOQUE ELÉCTRICO NO abra personal.</p>	 <p>El signo de exclamación dentro de un triángulo equilátero tiene como objetivo alertar al usuario sobre instrucciones de operación y mantenimiento (servicio) importantes en el manual que acompaña el producto.</p>
---	--	--

*Vea Parte Inferior de la Unidad

ADVERTENCIA: Para reducir el riesgo de incendio o choque eléctrico, no exponga este aparato a lluvia o humedad.
El aparato no será expuesto al goteo o no se pondrá el salpicar y ningunos objetos llenados del líquido, tal como floreros, en el aparato.

INSTRUCCIONES DE SEGURIDAD IMPORTANTES

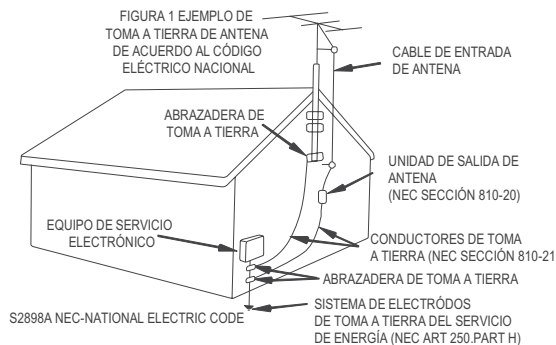
LAS INSTRUCCIONES DE SEGURIDAD INCLUIRÁN, DE ACUERDO AL EQUIPO, FRASES QUE INDIQUEN AL USUARIO LA INFORMACIÓN EN ÍTEMS DE ESTE PÁRRAFO:

1. Lea las instrucciones - Todas las instrucciones de seguridad y de operación se deben leer antes de operar este equipo
2. Mantenga éstas instrucciones - Las instrucciones de seguridad y operación se deben mantener para referencias futuras.
3. Siga todas las advertencias - Todas las advertencias en el equipo y en las instrucciones se deben respetar.
4. Siga todas las instrucciones - Se deben seguir todas las operaciones e instrucciones de uso.
5. No utilice este aparato cerca del agua - El equipo no debe usarse cerca del agua; por ejemplo, cerca de una bañera, un lavamanos, un lavaplatos, una tina para lavar ropa, en un subsuelo húmedo, o cerca de una piscina, o similares.
6. Limpie solo con un paño seco - El equipo sólo se debe limpiar como recomienda el fabricante.
7. No bloquee ninguna abertura de ventilación. Instale de acuerdo a las instrucciones del fabricante. - El equipo se debe situar en un lugar o posición que no interfiera con su ventilación adecuada. Por ejemplo, el equipo no se debe situar en una cama, sofá, alfombra o superficie similar que pueda bloquear las aberturas de ventilación; o ubicarse en una instalación construida, tal como estantes de libros o gabinetes que puedan impedir el flujo del aire a través de las aberturas e ventilación.
8. No realice la instalación cerca de ninguna fuente de calor tal como radiadores, registros de calor, estufas u otros aparatos (incluyendo amplificadores) que produzcan calor.
9. No elimine el propósito de seguridad de los enchufes de tipo polarizado o con toma a tierra. Un enchufe polarizado tiene dos hojas, una más ancha que la otra. Un enchufe con toma a tierra tiene dos hojas y una tercera pata de toma a tierra. La hoja ancha o la tercera pata están para su seguridad. Si el enchufe provisto no encaja en su toma, consulte con un electricista para reemplazar su toma obsoleta.
10. Proteja el cable de energía de pisotones o pinchaduras, particularmente en la zona del enchufe, de los receptáculos y en el punto donde sale del aparato.
11. Solamente utilice accesorios u objetos especificados por el fabricante.
12. Use solamente con un carro, pie, trípode, soporte o mesa especificada por el fabricante, o vendida con el aparato. Cuando use un carro, tenga cuidado cuando mueva la combinación del carro y el aparato para evitar daños por tropezones.
13. Desenchufe este aparato durante tormentas eléctricas o cuando no se lo utilice por períodos prolongados.



INSTRUCCIONES DE SEGURIDAD IMPORTANTES

14. Llame por cualquier arreglo al personal capacitado del servicio. El servicio es necesario cuando el aparato ha sido dañado en cualquier forma, por ejemplo cuando el cable de energía o el enchufe está dañado, cuando han derramado líquido o han tirado objetos sobre el aparato, cuando el mismo ha sido expuesto a lluvia o humedad, cuando opera normalmente o cuando se ha caído.
15. Montaje en Pared o Techo - El equipo se debe montar a una pared o techo solamente como lo recomienda el fabricante.
16. Líneas de Energía - Una antena de exteriores se debe colocar lejos de líneas de energía.
17. Toma a Tierra de la Antena de Exteriores - Si una antena de exteriores se conecta a un receptor, asegúrese que el sistema de antenas tenga toma a tierra para proteger contra sobrecargas de voltaje y carga estática. Sección 810 del Código Eléctrico Nacional, ANSI/NFPA No.70-1984, provee información respecto a toma a tierra adecuada del mástil y de la estructura de soporte, toma a tierra del cable de ingreso hacia una unidad de salida de antena, tamaño de conductores de toma a tierra, ubicación de la unidad de salida de antena, conexión a electrodos de tierra, y requerimientos para los electrodos de la toma a tierra. Vea la Figura 1.



18. Entrada de Objeto y Líquido - Se debe tener cuidado de tal forma que los objetos no caigan y los líquidos no se derramen dentro del compartimento por las aberturas.
19. Fuentes de Energía - El equipo se debe conectar a una fuente de energía solamente del tipo descrita en las instrucciones operativas o marcadas en el equipo. No sobrecargue la salida de la pared.
20. Servicio - El usuario no debe intentar reparar el equipo más allá de lo descrito en las instrucciones operativas. Todos los otros arreglos se deben realizar con personal de servicio calificado.
21. Todas las marcas están situadas en el recinto inferior exterior del aparato.
22. Peligro de la explosión si la batería se substituye incorrectamente. Substituya solamente por mismo o el tipo equivalente batería.

CUIDADO: PARA PREVENIR CHOQUE ELÉCTRICO, ENCAJE LA HOJA ANCHA DEL ENCHUFE EN LA RANURA ANCHA. INSERTE EL ENCHUFE COMPLETAMENTE A LA TOMA DE ENERGÍA PRINCIPAL S2898A NEC-CÓDIGO ELÉCTRICO NACIONAL

Hoja Ancho



CUMPLIMIENTO DE LAS REGULACIONES DE LA FCC

Este dispositivo cumple con la Parte 15 de las Reglas de la FCC. La operación está sujeta a las siguientes dos condiciones:

- (1) este dispositivo no puede causar interferencia dañina, y
- (2) este dispositivo debe aceptar cualquier interferencia que reciba, incluyendo la que pueda causar un mal funcionamiento.

NOTA: Este equipo ha sido verificado y cumple con los límites de un dispositivo digital Clase B, conforme a la Parte 15 de las Reglas de la Comisión Federal de Comunicaciones de los Estados Unidos (FCC, por sus siglas en inglés). Estos límites están diseñados para proveer protección razonable contra la interferencia dañina en instalaciones residenciales. Este equipo genera, usa y puede irradiar energía de frecuencia de radio, por ello si no se instala y utiliza de acuerdo con las instrucciones, puede causar interferencia dañina a las comunicaciones de radio. Sin embargo, no hay garantía que no ocurrirán interferencias en una instalación en particular. Si este equipo causa interferencias dañinas a la recepción de radio o de televisión, la cual se puede determinar apagando y prendiendo el equipo, el usuario puede intentar corregir la interferencia con una o más de las siguientes medidas:

- Reoriente o reubique la antena receptora.
- Incremente la separación entre el equipo y el receptor.
- Conecte el equipo en una toma de un circuito diferente al cual esté conectado el receptor.
- Consulte al distribuidor o a un técnico de radio o TV por ayuda.

CUIDADO: Los cambios o modificaciones que no hayan sido expresamente aprobados por el responsable del cumplimiento, pueden invalidar la autoridad del usuario para operar este equipo.

CARACTERÍSTICAS DEL PRODUCTO

CE710CR es una Sistema de Música de Estación de iPod® que incorpora las siguientes características:

- Reproductor / Cargador iPod®, iPod® Mini, iPod® 1ra a 3ra Generación nano, iPod® clásico y iPod® toque
- Línea de Entrada de Audio para Conectar Reproductor de CD u Otro Reproductor de Audio Digital
- 2 Altavoces de Cono de Aluminio de Alta Fidelidad Incorporados
- Pantalla LCD de luz trasera multifunción
- Adaptadores iPod® Intercambiables
- Receptor FM Estéreo con 10 botones de configuración previa 10 FM, Sintonía Digital y Función de Búsqueda Automática
- Control de Volumen Electrónico
- Despertador de Radio, Alarma o iPod®
- Funciones de Postergación de Alarma o de Apagado Programado
- Cable Auxiliar Contraíble Incorporado con Enchufe Auxiliar de 3.5mm
- Toma de Antena FM Externa para mejor Recepción FM, Control Remoto de Tamaño de una Tarjeta para Funciones de Radio y iPod®
- Salida: MAXIMO 2 X 3W
- Salida de Video provee salida de señal de video cuando un iPod® con video se estaciona

INSTALACIÓN

Instalación de Baterías de Refuerzo del Reloj

1. Abra la puerta del compartimiento de la batería ubicada en la parte inferior de la unidad.
2. Instale dos baterías DC1.5V 'AAA' (UM-4) (no incluidas) en el compartimiento siguiendo las marcas de polaridad en el mismo.
3. Vuelva a colocar la puerta del compartimiento.

NOTA: Por favor, desconecte la toma principal de la unidad antes de reemplazar las baterías del reloj.

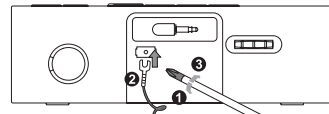
ADVERTENCIA:

- Asegúrese que las baterías están instaladas correctamente. La polaridad equivocada puede dañar la unidad.
- No mezcle baterías viejas y nuevas.
- No mezcle baterías alcalinas, estándares (carbón- zinc) o recargables (níquel- cadmio).
- Solamente baterías del mismo tipo o equivalentes a las recomendadas se deben usar.
- Si no se utilizará la unidad por un periodo prolongado, quite las baterías.
- No tire las baterías al fuego, pueden explotar o gotear.

Instalación de la Antena FM

El Cable de la Antena FM se provee en el paquete.

Por favor, vea la ilustración abajo para la instalación del Cable de Antena FM.



Control Remoto

El control remoto opera con una batería CR2032 (incluida). Para activar el control remoto, quite la lengüeta de aislamiento insertada en el compartimiento de la batería.

Conecte el Cable de Antena FM al terminal de la antena en la parte trasera de la unidad principal.

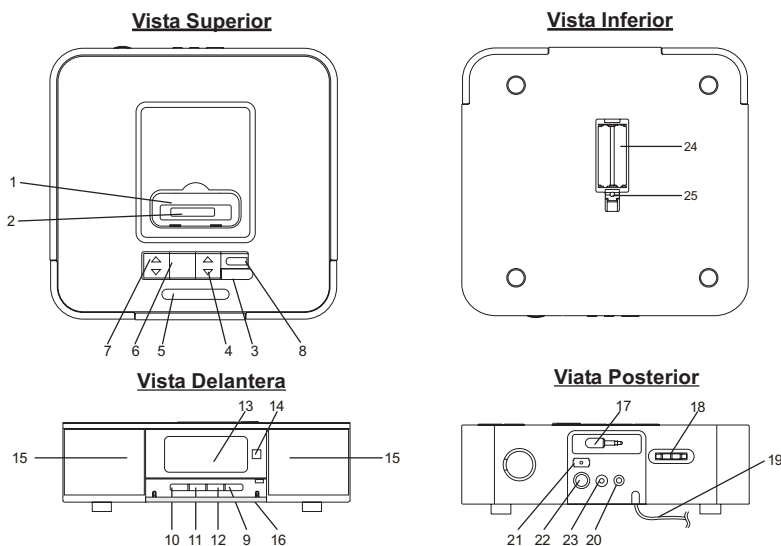
Energía AC

Conecte el enchufe de energía AC en su toma de energía AC hogareña (120VAC/60Hz).

NOTA: Esta unidad no está protegida magnéticamente y puede causar distorsión en la pantalla de algunos TVs o monitores de video. Para evitar esto, usted puede necesitar mover la unidad más lejos del TV o monitor si el color natura cambia o aparecen distorsiones en la imagen.

UBICACIÓN DE CONTROLES

Unidad Principal

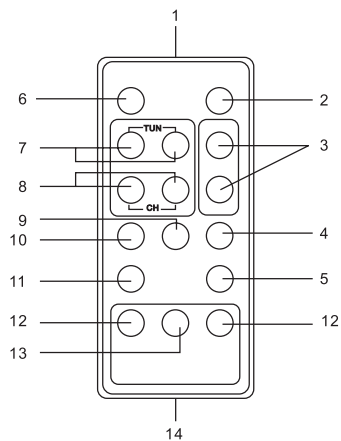


1. Estación de iPod®
2. Conector de la Estación de iPod®
3. Botón de **POWER (ENERGÍA)** Encendido/Apagado – Enciende o apaga la unidad
4. Botones de **VOLUME +/-** – Ajusta el nivel de sonido
5. Botón de Postergación/Luz – Activa la función de postergación; enciende o apaga la luz trasera del LCD
6. Botones **TUN +/-/iPod ▶▶/◀◀** – Sintoniza la frecuencia del canal de radio hacia arriba o abajo; Saltar/buscar en iPod®. Botones de Avance/Retroceso – ◀◀ para Retroceso, ▶▶ para Avance.
7. Botones **CH +/-** – Seleccione las estaciones de radio preseleccionadas
8. Botón de Encendido/Apagado de **ALARMA** – Encienda o apague la alarma
9. Botón de Apagado Automático (**SLEEP**) – Seleccione el tiempo de duración hasta apagarse el equipo.
10. Botón de **MODE** – Ingrese el modo de configuración
11. Botón **MEM/iPod ▶▶** – Guarda las estaciones preseleccionadas del radio; guarda las configuraciones; **REPRODUCCIÓN /PAUSE** de iPod®
12. Botón de **FUNCIÓN** – Seleccione Radio FM; modo iPod® y modo **AUXILIAR** (entrada auxiliar)
13. Pantalla LCD
14. Sensor Infrarrojo Remoto
15. Par de Altavoces
16. Tapa de control delantera
17. Toma **AUXILIAR** de ingreso – Cable de Audio Auxiliar con toma estéreo de 3.5mm para conectar dispositivos de audio externos
18. Rueda de Cable Retráctil – Para extender o retraer el cable auxiliar
19. Cable y enchufe de energía AC
20. Toma de Auriculares
21. Terminal de Antena FM
22. Toma de **S-VIDEO** – Salida de señal S-Video
23. Toma de **VIDEO RCA** - Salida de señal de video compuesta
24. Compartimiento de la Batería – Contiene dos baterías 'AAA' para el reloj
25. Botón **RESET** – Para reiniciar la unidad

UBICACIÓN DE CONTROLES



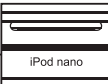
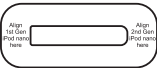


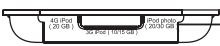


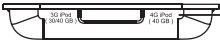




Control Remoto

1. Transmisor Infrarrojo
2. Botón de Encendido / Apagado
3. Botón de VOLUMEN +/-
4. Botón de FUNCIÓN
5. Botón de Encendido / Apagado de ALARMA
6. Botón de Postergación de Alarma / Luz
7. Botones de Sintonía Arriba/Abajo ◀◀ para Abajo, ▶▶ para Arriba
8. Botones de Canales CH +/-
9. Botones de MEMORIA
10. Botón de MODE (modo)
11. Botón de Apagado Automático (SLEEP)
12. Botones de Avance/Retroceso y Saltear/Búsqueda de iPod® - ◀◀ para Retroceso, ▶▶ para Avance.
13. REPRODUCCIÓN/PAUSA de iPod®
14. Compartimiento de Batería



ADAPTADORES DE iPod®

Por favor, vea abajo por el Adaptador de iPod® incluido en el paquete.

Modelos iPod®	Adaptador de iPod®
Cobertor de Estación	
iPod® Nano (1st y 2nd Gen)	  
iPod® Mini	 
3Gen iPod® 10/15GB 4Gen iPod® 20GB iPod® Photo 20/30GB	  
3Gen iPod® 30/40GB 4Gen iPod® 40GB	 
iPod® Photo 40/60GB	  

NOTA: No se proveen adaptadores para iPod con video de 30GB, 60GB y 80GB, iPod 3Gen nano, iPod clásico e iPod toque. Por favor, use el adaptador incluido con éstos iPods en el momento de la compra. Ellos encajan adecuadamente en las estaciones de este sistema.

OPERACIONES DEL RADIO

Antena FM

Conecte el Cable de Antena FM desmontable al Terminal de Antena FM como se muestra en la sección "INSTALACIÓN". Extienda completamente el Cable de la Antena FM para obtener una máxima recepción.

Sintonía de Radio

1. Presione el botón de encendido (**POWER**) para encender la unidad.
2. Presione el botón de Función (**FUNCTION**) repetidas veces hasta llegar al modo "FM".
3. En modo de radio FM, si es necesario, presione el botón de modo (**MODE**) para seleccionar la recepción FM ESTÉREO (ST) o MONO.
4. Para sintonizar la estación de radio manualmente, presione los botones **TUN Up** o **Down** varias veces.
5. Para buscar automáticamente la estación siguiente o previa con la señal más fuerte, mantenga presionado los botones **TUN Up** o **Down** hasta el escaneo de frecuencia se vea en pantalla y luego suelte el botón. El escaneo se detendrá cuando alcance una señal fuerte.

NOTA: Utilice la sintonía manual para seleccionar estaciones débiles que se pasen sin detectar durante la sintonía automática. Si no se detiene la sintonía automática en la frecuencia exacta, por ejemplo, se detiene en 100.9MHz en vez de 100.8MHz, presione **TUN +/-** para sintonizar finamente la frecuencia exacta.

Estaciones Preseleccionadas

La unidad le permite guardar hasta 10 estaciones 10 FM en las posiciones de memoria preseleccionadas, para un acceso rápido en cualquier momento.

1. Presione el botón de encendido (**POWER**) para encender la unidad.
2. Para activar el radio, presione los botones de función (**FUNCTION**) para seleccionar entre banda FM.
3. Sintonice su estación deseada presionando los botones **TUN +/-**.
4. Presione el botón **MEM**. El número de canal preseleccionado "01" y el icono "MEM" destellarán en pantalla.
5. Seleccione el número deseado para la preselección presionando los botones **CH +/-**.
6. Luego de seleccionar el número de canal de preselección, presione el botón **MEM** para confirmar su selección. La estación quedó guardada en el canal preseleccionado.
7. Para guardar estaciones adicionales, repita los pasos 3 al 6.

Selección del Sistema de Transmisión de Radio

Cuando se usa la unidad en otro país, con pequeñas diferencias en el sistema de emisión de radio, la unidad le permite elegir entre los sistemas de Estados Unidos, Europa o Japón.

1. Configure la unidad en modo apagado (Power Off).
2. Presione el botón **MODE** varias veces hasta que se va en pantalla destellando "USA", "EU" o "JP".
3. Presione el botón **TUN +/-** para seleccionar uno de los sistemas de transmisión.
4. Presione el botón **MEM** para guardar esta configuración y salir de modo de configuraciones.

NOTA: Las siguientes son especificaciones de los tres sistemas de transmisión de radio:

Sistema de Transmisión de Radio de USA
FM 87.5 MHz - 108 MHz, 0.1 MHz de pasos de sintonía

Sistema de Transmisión de Radio de Europa
FM 87.5 MHz - 108 MHz, 0,5 MHz de pasos de sintonía

Sistema de Transmisión de Radio de Japón
FM 76,0 MHz - 108 MHz, 0.1 MHz de pasos de sintonía

Consejos para una mejor recepción

- Para obtener la mejor recepción FM, extienda completamente la antena FM y ajuste la dirección.

ESTACIÓN DE iPod®

Este modelo incluye adaptadores para adaptar diferentes modelos de iPod®. Si el puerto de la estación no se utilizará por un periodo de tiempo extendido, se recomienda cubrir el puerto de la estación usando la "Cubierta de la Estación" (incluido).

1. Seleccione un adaptador apropiado para su iPod® e insértelo en el área de la estación. Su iPod® se puede insertar en el puerto de la estación ahora, colocando el conector en la parte inferior del iPod® dentro del conector en la bahía de estacionamiento.

Nota: Por favor, sea cuidadoso cuando asiente el iPod dentro de la estación para evitar dañar el conector de 30 pines en el iPod o en la estación.

2. Presione el botón **POWER** On / Off para cambiar el sistema de estación.
3. Presione los botones de **FUNCTION** repetidas veces hasta que el indicador de "iPod" aparezca en pantalla. El iPod® empezará su reproducción y se cargará automáticamente.
4. Seleccione el modo de reproducción y de ecualización (EQ) deseado en su iPod®.
5. Presione los botones **VOL +/-** en el sistema de estación para ajustar el nivel de volumen deseado.

NOTA: El nivel de volumen no se puede ajustar con el control de volumen de su iPod® si ya está conectado a la estación.

6. El iPod® se carga aún está funcionando.

NOTA: La función de recarga opera aún en modo Radio, iPod y Auxiliar.

7. Para quitar el iPod® de la unidad, mantenga presionado el botón **PLAY/PAUSE** por tres segundos para apagar el dispositivo y luego suavemente quítelo del conector de la estación.

Usted puede controlar el funcionamiento de su iPod® de esta forma:

- Presione el botón **PLAY/PAUSE** **▶||** para detener o reasumir la reproducción del iPod®;
- Presione el botón **▶▶** de Saltear/Búsqueda Hacia Adelante o el botón **◀◀** de Búsqueda Hacia Atrás del iPod para pasar a la próxima o previa canción;
- Mantenga presionado el botón **▶▶** de Saltear/Búsqueda Hacia Adelante o el botón **◀◀** de Búsqueda Hacia Atrás del iPod para adelantar o retroceder rápido durante la reproducción.

CONECTANDO iPods NANO DE 1RA Y 2DA GENERACIÓN

Primero instale el soporte del iPod nano en la estación CE710CR.

iPod nano de 1ra Generación:

Alinear su iPod nano de 1ra generación al lado IZQUIERDO de la abertura en el soporte del nano (Figura 1). Asegúrese que el conector de 30 pines en la parte inferior del nano está ubicado sobre el conector en la estación CE710CR antes de colocar el nano. Cuidadosamente deslice el nano hacia abajo en el conector para asegurar la conexión.

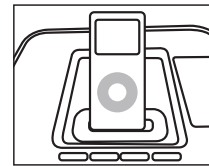


Figura 1

iPod nano de 2da Generación:

Alinear su iPod nano de 2da generación a la DERECHA de la abertura en el soporte del nano (Figura 2). Asegúrese que el conector de 30 pines en la parte inferior del nano está ubicado sobre el conector en la estación CE710CR antes de colocar el nano. Cuidadosamente deslice el nano hacia abajo en el conector para asegurar una segura conexión.

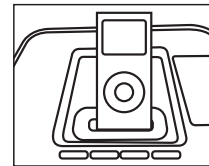


Figura 2

Nota: Asegúrese de no dañar el conector cuando esté colocando el nano en la estación. Nunca utilice demasiada fuerza cuando estacione el nano en el conector.

SALIDA DE VIDEO DESDE EL iPod®

Usted puede ver videos y fotos guardados en su iPod® de 5ta Generación, nano iPod® 3 Gen, iPod clásico y iPod® toque en una pantalla de televisión más grande o un monitor usando las tomas de Salida de Video en este modelo.

Dos salidas de video están disponibles en este modelo.

1. S-VIDEO - Señal de S-Video
2. VIDEO RCA - señal de video compuesta (la mayoría de los televisores estándar con entrada de video).

Salida de Video (Para iPods de 5ta generación con video, nano iPod 3Gen, iPod clásico e iPod toque SOLAMENTE).

1. Usted puede conectar esta unidad a un televisor u otra pantalla de video que tenga S-video o entrada de video compuesta.
2. Asegure el iPod con video a la estación.
3. Conecte el cable S-video en la toma posterior S-video o el cable RCA amarillo a la toma de video RCA trasera de la unidad.
4. Conecte el otro extremo del S-video o cable RCA amarillo a la toma VIDEO IN del televisor o pantalla.
5. Presione el botón FUNCTION para seleccionar el modo iPod.
6. Seleccione una película del menú de iPod.
7. iPod: En el menú principal elija video luego seleccione la configuración de video.
8. iPod: Asegúrese que la sección TV Out esté encendida (en "ON").
9. iPod: Vuelva a la biblioteca de películas y pase la película de su elección.

Nota: Para estacionar inicialmente el iPod® nano 3Gen, el iPod® clásico y el iPod® toque, debe esperar al término del proceso de autenticación del iPod, luego la salida de señal de video de su pantalla de TV o monitor.

Para ver Fotos (Para iPod con pantalla color SOLAMENTE - excluye nanos de 1ra y 2da Generación)

1. Presione el botón FUNCTION para seleccionar el modo iPod®.
2. Asegure el iPod® con pantalla color a la estación.
3. iPod® En TV asegúrese que esté en "ON"
4. iPod® Vaya a la Biblioteca de Fotos y luego presione reproducir. Una galería de fotos se desplazará automáticamente en su dispositivo.

Nota:

1. Para estacionar inicialmente el iPod® nano 3Gen, el iPod® clásico y el iPod® toque, debe esperar al término del proceso de autenticación del iPod®, luego la salida de señal de video de su pantalla de TV o monitor.
2. El conector de entrada de Video RCA en un televisor usualmente es amarillo para coincidir con el color del cable AV.
3. Cuando pase una galería de fotos o videos, el audio solamente sonará en el altavoz de la unidad.
4. No se incluyen cables S-videos y RCA.

ENRADA AUXILIAR

El cable de entrada auxiliar y el enchufe están incorporados en la unidad y permite a los usuarios conectar a esta unidad su reproductor de CD, MP3 u otros iPods que no se acoplan a una estación.

1. Siga girando la Rueda del Cable Retráctil, ubicada en la parte trasera de la unidad, hacia la derecha y jale el Cable AUX IN ubicado al lado de la rueda.
2. Conecte el Enchufe Estéreo AUX IN a la Toma de Salida de Línea (Line Out) o a la Toma de Auriculares de su dispositivo de audio externo.
3. Encienda el dispositivo de audio.
4. Presione el botón FUNCTION varias veces hasta que el modo AUX se muestre en pantalla. La pantalla mostrará el icono "AUX".
5. Controle el nivel de volumen con el control en el dispositivo de audio o presione VOL +/- en la unidad principal o el control remoto.

NOTA:

Si está conectado usando la Toma de Salida de Audio de su dispositivo externo, luego usted sólo puede ajustar el volumen usando del control del CE710CR. Si usted está conectado usando la Toma de Auriculares de su dispositivo externo, luego usted puede necesitar ajustar ambos controles de volumen (CE710CR y dispositivo externo) para conseguir el mejor volumen.

Presione el botón ON/OFF para apagar la unidad cuando termine de escuchar. No olvide de apagar el dispositivo externo también.

CONFIGURACIÓN DEL RELOJ Y DEL CALENDARIO

El reloj y el calendario se pueden ver en modo apagado (Power Off).

Configuración del Reloj

1. Presione el botón **MODE** 3 veces, el reloj empieza a destellar.
2. Presione el botón **TUN +/-** para configurar la hora.
3. Presione el botón **VOL +/-** para configurar los minutos.
4. Presione el botón **MEM** para confirmar las configuraciones.

Configuración de Modo 12 o 24 Horas en Pantalla

1. Presione el botón **MODE** varias veces hasta llegar al modo de Configuración de Formato de Hora 12 o 24. Se mostrará destellando en pantalla '12hr' o '24hr'.
2. Presione el botón **TUN +/-** para seleccionar un modo en pantalla de 12 horas o 24 horas.
3. Presione el botón **MEM** para confirmar las configuraciones.

Configuración del Calendario

Año

1. Presione el botón **MODE** varias veces hasta que el modo de configuración de año se alcance. El año destella ahora.
2. Para configurar el año, presione el botón **TUN +/-** para configurar el año correctamente.
3. Presione el botón **MEM** para confirmar las configuraciones.

Mes/Fecha

1. Presione el botón **MODE** varias veces hasta que el modo de configuración Mes/Fecha se alcance. El Mes/Fecha destella ahora.
2. Para configurar el mes, presione el botón **TUN +/-**. Para configurar la fecha, presione el botón **VOL +/-**.
3. Presione el botón **MEM** para confirmar las configuraciones.

OPERACIONES DE ALARMA

Configurando la Hora de la Alarma

Cuando la unidad está en modo apagado o Power Off:

1. Presione el botón **MODE** una vez. El reloj alarma destellará en pantalla.
2. Presione el botón **TUN +/-** para configurar la hora de la alarma y el botón **VOL +/-** para configurar los minutos de la alarma.
3. Presione el botón **MODE** nuevamente. El icono de alarma destellará.
4. Seleccione "Wake to Buzzer" (Despertar con Sonido de Alarma), "Wake to Radio" (Despertar con Radio) o "Wake to iPod®" (Despertar con iPod) presionando los botones **VOL +/-**.

NOTA: Cuando "Wake to Radio" se selecciona, asegúrese que la estación de radio deseada esté sintonizada y con el volumen adecuado.

Cuando "Wake to iPod®" se selecciona, pero su iPod no fue conectado a la estación, la alarma sonará directamente con el timbre de alarma cuando llegue la hora programada.

5. Presione el botón **MEM** para guardar todas las configuraciones y salir del modo de configuraciones.
6. Para activar la alarma diariamente, presione el botón ALARM On / Off. El icono de campana "🔔" will aparecerá en pantalla.
7. Cuando se llegue a la hora de la alarma, esta sonará inmediatamente con la fuente seleccionada.

Despertar con Timbre (BUZ)

- Luego de llegar a la hora de la alarma, el timbre sonará inmediatamente por un minuto.
- Luego del primer minuto con la alarma, cambiará a modo de Postergación Automática (Auto Snooze). Una vez que se apaga la alarma, la próxima alarma sonará luego de los 10 minutos de postergación. Esta operación se repetirá 3 veces. Luego de que termine de sonar la tercera alarma, esta se apagará hasta la misma hora de alarma del día siguiente.
- Para detener la postergación de la alarma inmediatamente, presione una vez el botón ALARM On/Off.

Despertar con Radio (RAD)

- La radio se encenderá automáticamente cuando se alcance la hora programada. Empieza suave y se acrecienta gradualmente.
- La alarma de radio seguirá por 60 minutos y luego automáticamente se apagará.
- Para detener el sonido de radio de la alarma inmediatamente, presione una vez el botón ALARM On/Off,

Despertar con iPod® (iPod)

- Su iPod de la estación se encenderá automáticamente cuando se alcance la hora programada. Empieza suave y se acrecienta gradualmente.
- La reproducción del iPod seguirá por 60 minutos y luego automáticamente se apagará.
- Para detener la reproducción del iPod inmediatamente, presione una vez el botón ALARM On/Off.

Función de Postergación (Snooze)

- Cuando la alarma suena, puede ser detenida temporalmente presionando el botón SNOOZE. La pantalla mostrará el indicador de postergación ("SNOOZE").
- La alarma se postergará por 10 minutos y luego sonará nuevamente.
- Esta operación de postergación manual se puede repetir solamente tres veces.

Apagado Automático

- El Apagado Automático (Sleep Timer) le permite configurar la unidad para apagarse automáticamente a una hora para dormir determinada.
- Para activar el Apagado Automático y seleccionar la hora de apagado, presione varias veces el botón SLEEP.
- Los tiempos de apagado disponibles para elegir son: 15, 30, 45 o 60 minutos. La pantalla mostrará el indicador de apagado automático ("SLEEP").
- Para desactivar el Apagado Automático, presione el botón SLEEP varias veces hasta que el indicador SLEEP desaparezca.
- Para apagar la unidad antes de la hora de apagado automático seleccionada, presione el botón POWER On/Off una vez.
- Para verificar la hora de apagado actual, presione una vez el botón SLEEP.

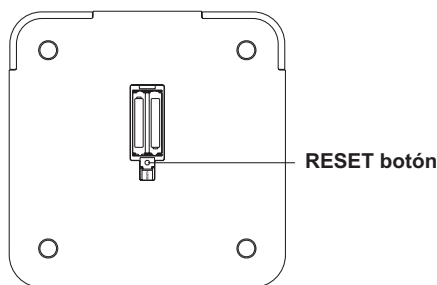
CUIDADOS Y MANTENIMIENTO

- No deje que la unidad sufra fuerza excesiva, choque, polvo o temperaturas extremas.
- No manosee los componentes internos de la unidad.
- Limpie su unidad con una tela seca. Nunca se debe usar solvente o detergente.
- Evite dejar su unidad a la luz del sol directa o en lugares calientes, húmedos o polvorientos.
- Mantenga su unidad lejos de calefactores o fuentes de ruido eléctrico como lámparas fluorescentes o motores.

Reiniciando la Unidad

Si la unidad es sometida a sobrecarga o choque eléctrico, es posible que el micro controlador interno se bloquee, y la unidad no responderá a ningún comando de los controles del panel superior o del control remoto.

1. Si esto ocurre, desenchufe y luego reconecte el cable de energía eléctrica AC en el enchufe de pared.
2. Utilice un clip abierto, un palillo u objeto similar para presionar el botón RESET ubicado en la parte inferior de la unidad principal (vea la figura abajo). La operación de reinicio limpia la memoria del sistema y todas las configuraciones previas se borran. **CUIDADO: NO UTILICE UNA PUNTA FILOSA PARA PRESIONAR EL BOTÓN DE REINICIO (RESET). PUEDE DAÑAR LA LLAVE DE REINICIO DENTRO DE LA UNIDAD.**



GUÍA DE SOLUCIÓN DE PROBLEMAS

Síntoma	Problema Posible	Solución
La unidad no responde (no hay energía)	El cable de energía AC no está conectado a un enchufe de pared.	Enchufe el cable de energía a una toma AC de pared.
	El enchufe de pared no funciona.	Enchufe otro dispositivo en el mismo enchufe para confirmar si el enchufe funciona o no.
iPod® no encaja adecuadamente en la estación.	Usando el Adaptador del iPod® equivocado.	Asegúrese que la toma para conectarse con la estación sea la adecuada para su iPod®.
	iPod® no se instala adecuadamente.	Quite su iPod® de la estación y verifique si algo obstruye los conectores en la estación o en su iPod®. Luego reinicielo en la estación.
El iPod® no responde al sistema de parlantes	El iPod® no está instalado adecuadamente.	Quite su iPod® de la estación y verifique si algo obstruye los conectores en la estación o en su iPod®. Luego reinicielo en la estación.
	Su iPod® está bloqueado.	Asegúrese que su iPod® está funcionando adecuadamente antes de colocarlo en la estación. Por favor, lea el manual de instrucción de su iPod®.
El iPod® no se carga.	El iPod® no está instalado adecuadamente.	Quite su iPod® de la estación y verifique si algo obstruye los conectores en la estación o en su iPod®. Luego reinicielo en la estación.
	El iPod® está bloqueado o se tildó. La batería del iPod® tiene un problema.	Asegúrese que su iPod® está funcionando adecuadamente antes de colocarlo en la estación. Por favor, lea el manual de instrucción de su iPod®.
El sonido está distorsionado	El volumen está muy alto.	Baje el volumen.
	La fuente de sonido está distorsionada.	Si la fuente de sonido original del iPod® es de baja calidad, se notan fácilmente los ruidos y la distorsión con altavoces de alta potencia. Intente una fuente de audio diferente tal como un CD de música. Si usted está usando una fuente de sonido externa, como un iPod® de generación más antigua, intente reducir el volumen de salida en el dispositivo mismo. También intente apagando el potenciador de graves o cambie la configuración del ecualizador.
La unidad se calienta luego de un periodo prolongado de reproducción a volúmenes altos.	Esto es normal.	Apague la unidad por un tiempo o baje el volumen.

ESPECIFICACIONES

Requerimientos de Energía

Entrada AC120V/60Hz
Batería para el Reloj 2 Baterías de 1.5V 'AAA'(UM-4)
Control Remoto 1 Batería de litio CR2032

Rango de Frecuencia

Sistema de Transmisión de Radio de USA FM 87.5 MHz - 108 MHz, 0.1 MHz de pasos de sintonía

Sistema de Transmisión de Radio de Europa . . FM 87.5 MHz - 108 MHz, 0,5 MHz de pasos de sintonía

Sistema de Transmisión de Radio de Japón . . . FM 76,0 MHz - 108 MHz, 0.1 MHz de pasos de sintonía

Consumo de Energía 19W



AUDIOVOX®

GARANTÍA LIMITADA POR 90 DÍAS

Cubre los Estéreos Portátiles de Audiovox

AUDIOVOX ELECTRONICS CORPORATION (la Compañía) garantiza al comprador minorista original de este producto, que si este producto o cualquiera de sus partes, bajo uso y condiciones normales, se prueba defectuoso en su material o mano de obra dentro de los 90 días desde su compra original, tal o tales defectos serán reparados o reemplazados (a criterio de la Compañía) sin cargo por repuestos o trabajo de reparación.

Para obtener la reparación o reemplazo dentro de los términos de esta Garantía, el producto se debe entregar con prueba de cobertura de la garantía (Ej. factura de venta con fecha), especificación de defecto(s) y transporte prepago a un local de garantía autorizado. Para conocer el local de garantía más cercano a usted, llame gratuitamente a nuestra oficina de control: **1-800-645-4994**

Esta Garantía no se extiende a la eliminación de estática o ruido generado externamente, a la corrección de problemas de antena, al costo incurrido por instalación, remoción o reinstalación del producto, o daño a cintas, discos compactos, altavoces, accesorios o sistemas eléctricos.

Esta Garantía no aplica a ningún producto o parte del mismo, que en opinión de la Compañía, haya sido dañado debido a alguna alteración, instalación inadecuada, maltrato, mal uso, negligencia o accidente, o en el cual haya sido borrado o quitado el número de serie o código de barra de fábrica. LA RESPONSABILIDAD DE LA COMPAÑÍA BAJO ESTA GARANTÍA SE LIMITA A LA REPARACIÓN O REEMPLAZO PROVISTOS ARRIBA, Y EN NINGÚN CASO, LA RESPONSABILIDAD DE LA COMPAÑÍA EXCEDERÁ EL PRECIO DE COMPRA PAGADO POR EL PRODUCTO POR EL COMPRADOR DEL MISMO.

Esta Garantía está en lugar de toda otra garantía o responsabilidad expresada. CUALQUIER GARANTÍA IMPLÍCITA, INCLUIDA CUALQUIER GARANTÍA IMPLÍCITA DE COMERCIALIZACIÓN, SERÁ LIMITADA A LA DURACIÓN DE ÉSTA GARANTÍA. CUALQUIER ACCIÓN INFRINGIENDO CUALQUIER GARANTÍA EN VIRTUD DE ESTO INCLUYENDO CUALQUIER GARANTÍA IMPLICADA DE COMERCIALIZACIÓN, DEBE SER PRESENTADA DENTRO DE UN PERÍODO DE 12 MESES DESDE LA FECHA DE COMPRA ORIGINAL. EN NINGÚN CASO LA COMPAÑÍA SERÁ RESPONSABLE DE NINGÚN DAÑO ACCIDENTAL O CONSECUENTE POR LA VIOLACIÓN DE ESTA O CUALQUIER OTRA GARANTÍA. Ninguna persona o representante está autorizado para asumir por parte de la Compañía, ninguna responsabilidad diferente a la expresada aquí en relación con la venta de este producto.

Algunos estados no permiten límites en la duración de una garantía implícita o la exclusión o limitación de daños accidentales o consecuentes, de tal modo que las limitaciones o exclusiones de arriba pueden no corresponder en su caso. Esta garantía le da derechos específicos, usted puede también tener otros derechos que varían de estado en estado.



Audiovox Electronics Corporation, Hauppauge, New York 11788 • 1-800-645-4994

CHER CLIENT AUDIOVOX

Sélectionner de l'équipement audio sophistiqué tel que l'appareil que vous venez d'acheter n'est que le début de votre divertissement en matière de musique. Maintenant, c'est le moment de considérer comment maximiser le divertissement et l'excitation que cet équipement vous offre. Ce fabricant et le Electronic Industries Association's Consumer Electronics Group souhaite que vous profitiez de votre équipement en le jouant à un niveau sûr. A un niveau tel que le son se manifeste intense et clair sans le jouer à plein volume ou avec des distorsions ennuyants et, le plus important, sans affecter votre ouïe sensible. Le son peut décevoir. Sur une période de temps, votre "niveau de confort" peut s'adapter à des hauts volumes de son. Ainsi, ce qui paraît normal peut en fait être trop intense et peut nuire à votre ouïe. Sauvegardez vous contre cela en réglant votre équipement à un niveau sûr avant que votre ouïe ne s'adapte. Pour établir un niveau de sécurité : Commencez votre contrôle de volume à un réglage bas. Augmentez le volume lentement jusqu'à ce que vous l'écoutez confortablement et clairement. Dès que vous avez établi un niveau de son confortable, réglez le bouton et laissez-le tranquille. Prendre une minute maintenant en faisant ceci va empêcher l'endommagement à votre ouïe et la perte plus tard. Après tout, nous voulons que vous écoutez toute votre vie. Utilisez sagement, votre équipement de son va vous fournir une vie de divertissement. Puisque l'endommagement à votre ouïe résultant d'un son trop intense est souvent indétectable jusqu'à ce qu'il ne soit trop tard, ce fabricant et le Electronic Industries Association's Consumer Electronics Group recommande que vous évitiez une exposition prolongée à du bruit excessif. Registre d'acheteur : le numéro de série de ce produit se trouve sur le couvercle de bas. Vous devez noter le numéro de série de cete appareil dans l'espace fourni comme un registre permanent de votre achat et pour aider à l'identification au cas où il y aurait vol ou perte.

Numéro de modèle: CE710CR

Numéro de série: _____

 <p>Le coup d'éclair avec le symbole de tête de flèche à l'intérieur d'un triangle équilatéral est destiné à avertir l'utilisateur à propos de la présence du voltage dangereux non isolé à l'intérieur de l'enclos du produit qui peuvent être d'une taille suffisante pour constituer un risque de choc électrique à des personnes.</p>	<p style="text-align: center;">CAUTION</p> <p style="text-align: center;">RISK OF ELECTRIC SHOCK DO NOT OPEN</p> <p>AVERTISSEMENT: POUR REDUIRE LE RISQUE DE CHOC ELECTRIQUE N'ENLEVEZ PAS LE COUVERCLE (OU LE DOS), PAS DE PARTIES ENTRE-TENABLE PAR L'UTILISATEUR A L'INTERIEUR, REFEREZ LE SERVICE A DES PERSONNES QUALIFIEES. CAUTION : RISQUE DE CHOC ELECTRIQUE. N'OUVREZ PAS.</p>	 <p>Le point d'exclamation à l'intérieur d'un triangle équilatéral est destiné à avertir l'utilisateur à la présence des instructions d'opération et d'entretien dans la littérature accompagnant l'appareil.</p>
--	---	--

*Voir le bas de l'appareil

AVERTISSEMENT : Pour réduire le risque de feu ou de choc électrique n'exposez pas cet appareil à la pluie ou à l'humidité.

L'appareil ne sera pas exposé à l'égouttore ou l'éclaboussement et aucun objet remplis de liquide, tel que des vases, ne seront placés sur l'appareil.

INSTRUCTIONS DE SECURITE IMPORTANTE

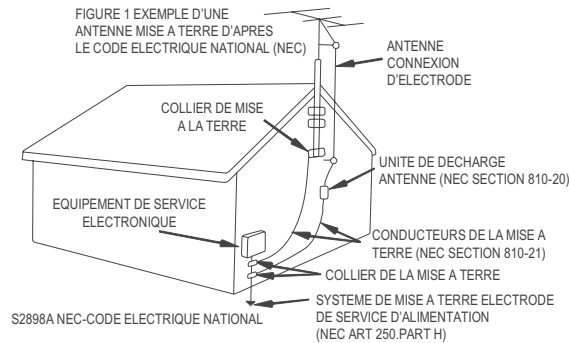
LES INSTRUCTIONS DE SECURITE IMPORTANTES COMPRENDRONT, COMME APPLICABLE A L'APPAREIL, DES DECLARATIONS QUI COMMUNIQUE A L'UTILISATEUR L'INFORMATION CITEE DANS CE PARAGRAPHE:

1. Lisez ces instructions - Toutes les instructions de sécurité et d'opération doivent être lues avant l'opération de l'appareil
2. Gardez ces instructions - Les instructions de sécurité et d'opération doivent être gardées pour référence dans l'avenir.
3. Faites attention à tous les avertissements - Tous les avertissements sur cet appareil et dans les instructions d'opération doivent être suivies.
4. Suivez toutes les instructions - Toutes les instructions d'opération et d'utilisation doivent être suivies.
5. N'utilisez pas cet appareil près de l'eau - L'appareil ne doit pas être utilisé près de l'eau, par exemple près d'un baignoire, d'un font, d'un évier, d'un panier à linge, dans un sous-sol moite ou près d'une piscine et d'autres endroits pareils.
6. Nettoyez uniquement avec un tissu sec - L'appareil doit être nettoyé uniquement selon les recommandations du fabricant.
7. Ne bloquez pas des ouvertures de ventilation. Installez selon les instructions du fabricant - L'appareil ne doit être situé tel que son emplacement ou sa position n'interfère pas avec ventilation bonne. Par exemple, l'appareil ne doit pas être situé sur un lit, un tapis, ou des surfaces pareilles qui peuvent bloquer toutes les ouvertures de ventilation : ou placé dans une installation castrée comme une bibliothèque ou un cabinet qui peut faire obstacle à la circulation de l'air à travers les ouvertures de ventilation.
8. N'installez pas près des sources de chaleur telles que des radiateurs; registres de chaleur, des réchauds ou d'autres appareils (y compris des amplificateurs) qui produisent de la chaleur.
9. Ne défaites pas le but de sécurité d'une prise polarisée ou de type terre. Une prise polarisée à deux rasoirs, l'un plus grand que l'autre. Un type terre à deux rasoirs et un troisième fourchette de terre. Le rasoir large ou la fourchette de terre sont fournies pour votre sécurité. Si la prise fournie ne va pas dans votre prise femelle, consultez un électricien pour remplacement d'une sortie dépassée.
10. Protégez le câble d'alimentation d'être marché dessus ou pincé particulièrement aux prises, receptacles de commodité et le point où il sort de l'appareil.
11. N'utilisez que des attachement/accessoires spécifiques par le fabricant.
12. N'utilisez qu'avec le charrette, le support, le trépied, les équerres ou la table spécifiés par le fabricant. Lorsqu'une charrette est utilisée, soyez prudent lorsque vous déplacez la charrette/appareil pour éviter l'endommagement résultant d'un basculement.
13. Débranchez cet appareil pendant des ouragans à coups de foudre ou lorsqu'il n'est pas utilisé pendant longtemps.



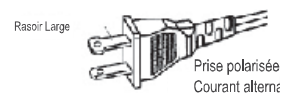
INSTRUCTIONS DE SECURITE IMPORTANTE

14. Référez tout entretien à des personnes d'entretien qualifiées. De l'entretien est nécessaire lorsque l'appareil a été endommagée de quelque façon que ce soit, telle que la prise ou le câble d'alimentation est endommagée, du liquide a été versé ou des objets sont tombés à l'intérieur de l'appareil, l'appareil a été exposé à la pluie ou à l'humidité, n'opère pas normalement ou a été laissé tomber.
15. Montage sur Mur ou sur le Plafond - L'appareil doit être monté sur un mur ou sur le plafond uniquement comme recommandé par le fabricant.
16. Lignes d'alimentation - Une antenne extérieure doit être placée loin des lignes d'alimentation.
17. Mise à la terre de l'antenne extérieure - Si une antenne extérieure est branché au récepteur, soyez sûr que le système d'antenne est mise à terre pour qu'il fournisse protection contre les surtensions et des charges statiques accumulées. Section 810 du Code Electrique National, ANSI/NFPA n° 70-1984, fournit l'information quant à la mise à terre du mât et la structure de soutien, la mise à la terre de la connexion d'électrode à un appareil de décharge antenne, la taille des conducteurs de la mise à terre, emplacement de l'appareil de décharge antenne, connexions aux électrodes de mise à terre et les exigences d'électrode de la mise à terre. Voir figure 1.



18. Entrée d'objet et de liquide - Faites attention de ne pas laisser tomber des objets ou des liquides à travers les ouvertures dans l'enclos.
19. Sources d'alimentation - L'appareil doit être branché à une alimentation du type décrit dans les instructions d'opération ou comme marqué sur l'appareil. Ne surchargez pas la prise murale.
20. Entretien - L'utilisateur ne doit pas tenter d'entretenir l'appareil au delà de ce qui est permis par les instructions d'opération. Tout autre entretien doit être référé à des personnes d'entretien qualifiée.
21. Toutes les inscriptions sont situées sur la clôture inférieure extérieure de l'appareil.
22. Danger d'explosion si la batterie est inexactement remplacée.
Remplacez seulement par le même ou le type équivalent batterie.

ATTENTION: POUR EMPECHER DES CHOCS ELECTRIQUES, ACCORDER LE RASOIR LARGE DE LA PRISE A LA FENTE LARGE. INSEREZ LA PRISE PLEINEMENT A LA PRISE FEMELLE PRINCIPALE.. S2898A NEC-NATIONAL ELECTRIC CODE. .



CONFORMITE AVEC DES REGLEMENTS FCC

Cet engin est conforme à la partie 15 des règlements FCC. Opération est soumise aux deux conditions suivantes :

- (1) cet engin ne causera pas des interférences, et
- (2) cet engin doit accepter toute interférence reçue, y compris l'interférence provoquée par une opération non-désirée.

A **NOTER** : Cet équipement a été testé et trouvé en conformité avec les limites pour un engin digital de classe B, selon la partie 15 des règlements FCC. Ces limites sont conçues pour fournir une protection raisonnable contre l'interférence nuisible dans une installation résidentielle. Cet équipement engendre, utilise et peut irradier de l'énergie radio fréquence et s'il n'est pas installé et utilisé en conformité avec ces instructions ; peut causer une interférence nuisible à la communication radio. Pourtant, il n'y a aucune garantie que l'interférence n'advienne pas dans une installation particulière. Si cet équipement cause de l'interférence nuisible à la réception radio ou télévisée, ce qui peut être déterminé en mettant l'appareil en marche et en arrêt, l'utilisateur est encouragé à essayer de corriger l'interférence par une ou plus des mesures suivantes :

- Réorientez ou remplacez l'antenne de réception.
- Augmentez la séparation entre l'équipement et le récepteur.
- Branchez l'équipement à une prise ou sur un circuit différent de celui auquel le récepteur est branché.
- Consultez le détaillant ou un technicien radio/TV expérimenté pour aide.

ATTENTION: Des changements ou des modifications qui ne sont pas expressément approuvés par la partie responsable pour mise en conformité peut annuler l'autorité de l'utilisateur d'opérer l'équipement.

PRODUCT FEATURES

CE710CR est un iPod® Docking Music System qui incorpore les fonctions suivantes:

- iPod®, iPod® mini, iPod 1st to 3rd Generation nano, iPod classic and iPod touch Player / Recharger
- Entrée audio haut niveau pour brancher platine CD ou d'autres Platine Audio Digitale.
- Deux haut parleurs cones d'aluminium haute fidélité encastrées
- Affichage aux cristaux liquides multi-fonction rétroéclairé
- Adaptateurs iPod® interchangeable
- FM Récepteur stereo avec 10FM pré-réglés, syntonisation digitale et fonction de recherche automatique
- Contrôle de volume électronique
- Réveil à la radio, réveil ou iPod®
- Rappel d'alarme
- Corde auxiliaire contractible encastrée avec une prise auxiliaire 3.5mm.
- Jack antenne externe FM pour une réception FM meilleure. Télécommande taille carte pour Radio et fonctions iPod®
- Sortie: 2 X 3W MAX.
- Sortie de ligne video fournit une sortie de signal video lorsque le iPod® avec video est branché.

INSTALLATION

Installation de piles de secours de l'horloge

1. Ouvrez la porte du compartiment de piles situé en bas de l'appareil.
2. Installez deux piles DC1.5V 'AAA' (UM-4) (non inclus) dans le compartiment de piles en suivant les marques de polarité montrées dessus.
3. Remplacez la porte du compartiment de piles.

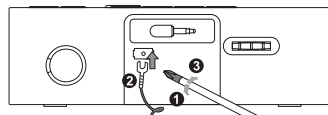
A NOTER: Veuillez débrancher l'alimentation principale de l'appareil avant de remplacer les piles de secours de l'horloge.

AVERTISSEMENT:

- Assurez-vous que les piles sont installées correctement. La mauvaise polarité peut endommager l'appareil.
- Ne mélangez pas les piles nouvelles et anciennes.
- Ne mélangez pas les piles alcalines, standardisées (carbon-zinc) ou rechargeables (nickel-cadmium).
- N'utilisez que des piles du même type comme recommandées.
- Si l'appareil ne va pas être utilisé pour une période de temps étendue, enlevez les piles.
- Ne vous débarrassez pas de piles dans le feu; les piles peuvent sauter ou il peut y avoir une fuite.

Installation de l'antenne FM

Le câble de l'antenne FM est fourni avec l'appareil.
Veuillez voir l'illustration ci-dessous pour l'installation du câble d'antenne FM.



Télécommande

La télécommande fonctionne avec une pile CR2032 (inclus). Pour activer la télécommande, enlevez la languette d'isolement insérée dans le compartiment de piles.

Branchez le câble d'antenne FM à la borne d'antenne derrière l'appareil principal.

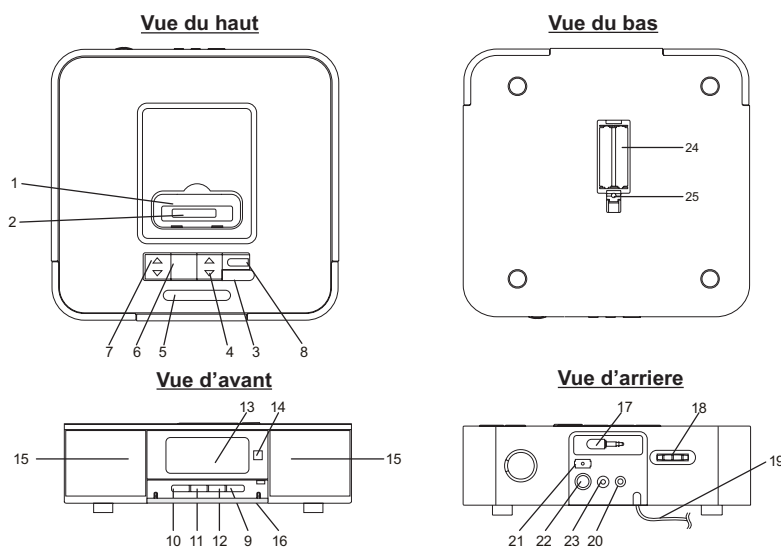
Puissance courant alternatif

Branchez la prise du courant alternatif dans votre prise femelle courant alternatif (120VAC/60Hz).

A NOTER: Cet appareil n'est pas protégé magnétiquement et peut causer la distorsion des couleurs sur l'écran de certaines télévisions ou moniteurs vidéos. Pour éviter cela, vous pouvez avoir besoin de placer l'appareil loin de la télévision ou du moniteur s'il y a des déplacements de couleur anormaux ou des distorsions d'image.

EMPLACEMENT DES CONTROLES

L'appareil principal

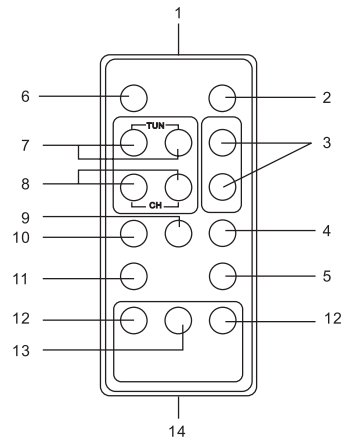


1. iPod® Dock
2. iPod® Docking Connector
3. PUISSANCE En marche/en arrêt – pour mettre l'appareil en marche et en arrêt.
4. Boutons VOLUME +/- – Pour ajuster le volume vers le haut ou vers le bas
5. Bouton RAPPEL D'ALARME/LUMIERE – Activez la fonction rappel d'alarme: Mettez le rétroéclairage d'affichage aux cristaux liquides en marche ou en arrêt.
6. Boutons TUN +/- /iPod ►/◄ – Syntonisez la fréquence de chaîne radio vers le bas ou vers le haut: iPod® Sauter/Cherchez, Boutons Avant/Arrière ◄ pour arrière, ► pour Avant.
7. Boutons CH +/- – Sélectionnez les stations de radio pré-réglées.
8. Bouton ALARM On/Off – Mettez l'alarme en marche ou en arrêt
9. Bouton SLEEP – Sélectionnez la durée de la minuterie sommeil
10. Bouton MODE – Entrez la mode de réglage
11. Bouton MEM/iPod ►| – Mettez les stations de radio et les réglages en mémoire; iPod® PLAY/PAUSE
12. Bouton FUNCTION – Sélectionnez la radio FM, mode iPod® et mode AUX (entrée auxiliaire)
13. Affichage LCD
14. Sonde infra-rouge à distance
15. Paire de haut parleurs
16. Couvercle contrôle d'avant
17. Jack AUX in – Un câble Audio avec une prise stereo de 3.5mm pour le branchement d'un engine audio externe.
18. Câble de roué retractant – Pour étendre ou rétracter le câble auxiliaire
19. Câble et prise de puissance courant alternatif
20. Jack de casque
21. Borne antenne FM
22. Jack S-VIDEO – sortie signal S-Video
23. Jack RCA VIDEO – sortie signal video composite
24. Compartiment à piles – Il doit contenir deux piles 'AAA' pour secours horloge
25. Bouton RESET – Pour réinitialiser l'appareil.

EMPLACEMENT DES CONTROLES




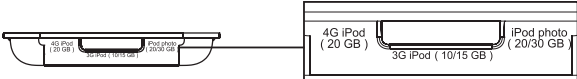

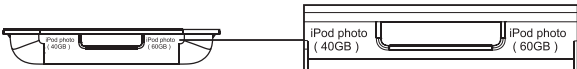
Télécommande

1. Transmetteur infra-rouge
2. Bouton POWER En marche/en arrêt
3. Bouton VOL +/-
4. Bouton FUNCTION
5. Bouton ALARM En marche/en arrêt
6. Bouton SNOOZE/LIGHT
7. Boutons TUN Vers le haut/vers le bas
◀ pour le bas, ▶ pour le haut
8. Boutons CH +/-
9. Bouton MEM
10. Bouton MODE
11. Bouton SLEEP
12. Boutons iPod® Sauter/Chercher Avant/Arrière
◀ pour arrière, ▶ pour avant.
13. iPod® PLAY/PAUSE
14. Compartiment à piles



iPod® ADAPTORS

Veillez voir ci-dessous pour iPod® Adaptor fourni avec l'appareil:

iPod Models	iPod Adaptor
Docking Cover	
iPod® Nano (1st et 2nd Gen)	
iPod® Mini	
3Gen iPod® 10/15GB 4Gen iPod® 20GB iPod® Photo 20/30GB	
3Gen iPod® 30/40GB 4Gen iPod® 40GB	
iPod® Photo 40/60GB	

A NOTER: Aucun adaptateur n'est fourni pour iPod avec vidéo 30GB, 60GB et 80GB, iPod 3Gen nano, iPod classic et iPod touch. Prière d'utiliser les adaptateurs fournis avec ces iPods au moment de l'achat. Ils s'accorderont correctement avec les stations de branchements du système.

OPERATIONS RADIO

Antenne FM

Branchez le câble d'antenne FM détachable à la borne d'antenne FM comme ordonné dans la section INSTALLATION. Étendez pleinement le câble d'antenne FM pour une réception maximale.

Syntonisation de la radio

1. Appuyez sur le bouton **POWER** pour mettre l'appareil en marche.
2. Appuyez sur le bouton **FUNCTION** de nouveau à nouveau jusqu'à ce que la mode FM est atteinte.
3. Dans la mode radio FM, si nécessaire, appuyez sur le bouton **MODE** pour sélectionner la réception STEREO (ST) ou MONO FM.
4. Pour syntoniser à la main, appuyez de nouveau à nouveau les boutons **TUN** Up/Down.
5. Pour chercher la station prochaine ou précédente avec le signal le plus fort, appuyez et maintenez l'appui sur les boutons **TUN** Up/Down jusqu'à ce que la lecture des fréquences sur l'affichage se met à balayer et puis relâchez le bouton. Le tuner va s'arrêter de balayer lorsqu'un signal fort est atteint.

A NOTER : Utilisez la syntonisation à la main pour sélectionner les stations faibles qui peuvent être dépassées pendant la syntonisation automatique. Si la recherche automatique ne s'arrête pas à la fréquence exacte, par exemple, si elle s'arrête à 100.9MHz au lieu de 100.8MHz, appuyez sur TUN +/- pour syntoniser la fréquence exacte.

Stations pré-réglées

L'appareil vous permet de mettre en mémoire jusqu'à 10 stations FM dans les positions de mémoire pré-réglées pour un rappel facile à n'importe quel moment.

1. Appuyez sur le bouton **POWER** pour mettre l'appareil en marche.
2. Pour activer la radio, appuyez sur le bouton **FUNCTION** pour sélectionner la bande FM.
3. Syntonisez à la station désirée en appuyant sur les boutons **TUN +/-**.
4. Appuyez sur le bouton **MEM**. Le numéro de chaîne pré-réglée "01" et l'icône "MEM" vont clignoter dans l'affichage.
5. Sélectionnez votre numéro de pré-réglage désiré en appuyant sur les boutons **CH +/-**.
6. Après la sélection du numéro de chaîne pré-réglée, appuyez sur le bouton **MEM** pour confirmer votre sélection. La station est mise en mémoire dans la chaîne pré-réglée.
7. Pour mettre encore des stations en mémoire, répétez les étapes 3-6.

Sélection du système de transmission radio

Lorsque l'appareil est utilisé dans un autre pays avec un système de transmission différente, l'appareil vous permet de sélectionner les systèmes Etats-Unis, Union Européenne et Japon.

1. Réglez l'appareil à la mode Puissance en arrêt.
2. Appuyez sur le bouton **MODE** plusieurs fois jusqu'à ce que le clignotement "USA", "EU", or "JP" est vu.
3. Appuyez sur le bouton **TUN +/-** pour sélectionner l'un des systèmes de transmission.
4. Appuyez sur le bouton **MEM** pour mettre le réglage en mémoire et sortir de la mode du réglage.

A NOTER : Les spécifications des trois systèmes de transmission sont données ci-dessous :

Système de transmission radio des Etats-Unis
FM 87.5 MHz - 108 MHz, 0.1 MHz tuning step

Système de transmission radio d'Union Européenne
FM 87.5 MHz - 108 MHz, 0.5 MHz tuning step

Système de transmission radio du Japon
FM 76.0 MHz - 108 MHz, 0.1 MHz tuning step

Des indications pour la meilleure réception

- Pour obtenir la meilleure réception FM, étendre jusqu'au bout l'antenne FM et ajustez la direction.

iPod DOCKING

Ce modèle comprend des adaptateurs pour adopter des modèles iPod® différents. Si le port de branchement ne sera pas utilisé pendant une période longue il est recommandé que vous couvriez le port de branchement en utilisant l'insertion 'Couvercle de branchement'.

1. Sélectionnez un adaptateur convenable pour votre iPod® et insérez-le dans la zone de branchement. Votre iPod® peut maintenant être inséré dans le port de branchement en plaçant le connecteur en bas de l'iPod® sur le connecteur dans l'aire de branchement.

A noter: Soyez prudent lorsque vous faites asseoir le iPod dans le branchement pour éviter d'endommager le connecteur à 30 aiguilles sur le iPod ou le système de branchement.

2. Appuyez sur le bouton **POWER** On/Off pour mettre le système de branchement en marche.
3. Appuyez sur le bouton **FUNCTION** plusieurs fois jusqu'à ce que l'indicateur "iPod" est montré dans l'affichage. Le iPod® se mettra à jouer et charger automatiquement.
4. Sélectionnez votre EQ et mode de reproduction désirés dans votre iPod®.
5. Appuyez sur le bouton **VOL +/-** sur le système de branchement pour ajuster le niveau de volume désiré.

A NOTER:Le niveau de volume ne peut pas être ajusté par le contrôle de volume de votre iPod® après avoir été branché.

6. Le iPod® se charge meme pendant la reproduction.

A NOTER:La fonction de recharge opera toujours dans la mode Radio, iPod et AUX.

7. Pour enlever le iPod® de l'appareil, appuyez et maintenez l'appui sur le bouton **PLAY/PAUSE** pendant trois secondes pour mettre l'engin en arrêt et puis enlevez-le doucement du connecteur de branchement.

Vous pouvez contrôler la reproduction de votre iPod® par des moyens suivants:

- Appuyez sur le bouton **PLAY/PAUSE** ►| pour faire pause ou reprendre la reproduction de l'iPod®;
- Appuyez sur le bouton iPod Sauter/Chercher Avant ►► ou Arrière ◀◀ pour sauter jusqu'à la chanson prochaine ou précédente.
- Appuyez et maintenez l'appui sur le bouton iPod Sauter/Chercher Avant ►► ou Arrière ◀◀ pour faire avance rapide ou rembobinage rapide pendant la reproduction.

BRANCHEMENT 1ÈRE ET 2ÈME GENERATION iPod NANOS

Installez d'abord l'équerre iPod nano dans le dock CE710CR.

1ère génération iPod nano :

Alignez votre 1ère generation iPod nano à la partie Gauche de l'ouverture dans l'équerre nano (Figure 1). Assurez-vous que le connecteur à 30 aiguilles en bas du nano est positionné sur le connecteur dans le dock CE710CR avant d'asseoir le nano. Glissez doucement le nano dans le connecteur afin d'assurer un branchement sûr.



Figure 1

2ème génération iPod nano :

Alignez votre iPod 2ème generation dans l'ouverture DROITE dans l'équerre nano (Figure 2). Assurez-vous que le connecteur à 30 aiguilles est positionné sur le connecteur dans le dock CE710CR avant d'asseoir le nano. Glissez doucement le nano dans le connecteur afin d'assurer un branchement sûr.

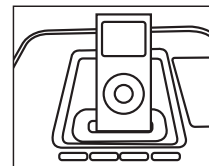


Figure 2

A noter : Soyez prudent et n'endommagez pas le connecteur en branchant le nano. Ne forcez jamais lorsque vous branchez le nano dans le connecteur.

SORTIE VIDEO DE L'iPod®

Vous pouvez voir des vidéos et des photos mis en mémoire dans votre 5ème génération iPod, iPod 3Gen nano, iPod classic et iPod touch sur une télévision à écran large ou un moniteur en utilisant les jacks sortie vidéo fournis sur ce modèle.

Deux jacks sortie vidéo sont disponibles sur ce modèle.

1. S-VIDEO - Signal S-Vidéo.
2. RCA VIDEO - Signal vidéo composé (le plus commun sur des télévisions standardisées avec entrée vidéo).

Sortie Vidéo (Pour 5ème génération iPods avec vidéo, iPod 3Gen nano, iPod classic et iPod touch UNIQUEMENT)

1. Vous pouvez brancher cet appareil à une télévision ou autre type d'affichage vidéo qui a un S-vidéo ou une entrée vidéo composé.
2. Branchez d'une manière sûre le iPod avec vidéo.
3. Branchez le câble S-vidéo dans le jack S-vidéo à l'arrière ou le câble jaune RCA au jack RCA vidéo à l'arrière sur l'appareil.
4. Branchez l'autre bout du câble S-vidéo ou jaune RCA à VIDEO IN de la télévision ou l'affichage vidéo.
5. Appuyez sur le bouton FUNCTION pour sélectionner la mode iPod.
6. Sélectionnez un film de votre menu iPod.
7. iPod: Sur le menu principal; choisissez vidéo et puis sélectionnez le réglage vidéo.
8. iPod: Assurez-vous que la section TV Out est réglé à "ON".
9. iPod: Revenez à la cinémathèque et jouez le film de votre choix.

A noter : Pour le branchement initial de l'iPod (3Gen) nano, iPod classic et iPod touch, vous devez attendre jusqu'à ce que l'authentification de l'iPod soit terminée et puis la sortie signale vidéo à votre écran TV ou moniteur.

Pour voir des photos (Pour iPod uniquement avec affichage en couleur - ce qui exclut le nano 1ère et 2ème génération)

1. Appuyez le bouton FUNCTION pour sélectionner la mode iPod.
2. Branchez d'une manière sûre le iPod avec affichage en couleur.
3. iPod: A TV assurez-vous qu'il est réglé à "ON"
4. iPod: Allez à la photothèque et puis appuyez sur "play". Le diaporama va jouer sur votre engin.

A Noter :

1. Pour le branchement initial de l'iPod (3Gen) nano, iPod classic et iPod touch, vous pouvez attendre jusqu'à ce que le processus d'authentification de l'iPod soit terminé et puis la sortie signal vidéo à votre écran TV ou moniteur.
2. Le connecteur d'entrée RCA Vidéo sur une télévision est normalement enchiffré en couleur jaune pour aller avec la couleur du câble AV.
3. Lorsque vous jouez des diaporamas ou des vidéos, l'audio va jouer sur le haut parleur de l'appareil.
4. Les câbles S-vidéo et RCA ne sont pas fournis.

ENTRÉE AUXILIAIRE

La prise et le câble d'entrée auxiliaire sont encastrés dans l'appareil et permet aux utilisateurs de brancher leur platine CD, MP3 ou du'autres imbranchables iPods à cet appareil.

1. Continuez à tourner votre roue de corde rétractante située à l'arrière de l'appareil et retirez le câble AUX IN siuté à coté du volant.
2. Branchez la prise stéréo AUX IN au Jack sortie haut niveau ou au Jack de casque de votre engine audio externe.
3. Mettez l'engin audio en marche.
4. Appuyez plusieurs fois sur le bouton FUNCTION jusqu'à ce que la mode AUX est affichée. L'affichage montrera l'icône AUX.
5. Contrôlez le niveau de volume avec le contrôle de volume sur l'engin audio en appuyant sur **VOL +/-** sur l'appareil principal de la télécommande.

NOTE:

Si vous allez brancher en utilisant le Jack d'entrée haut niveau de votre engin externe, alors vous ne pouvez qu'ajuster le volume en utilisant le contrôle CE710CR. Si vous êtes branché en utilisant le jack de Casque de votre engin externe; vous pouvez avoir besoin d'ajuster les deux contrôles de volume (CE710CR et l'engin externe) pour avoir le meilleur niveau de volume.

Appuyez sur le bouton ON/OFF pour mettre l'appareil en arrêt lorsque vous avez fini d'écouter. N'oubliez pas de mettre la puissance de votre engin externe en arrêt aussi.

REGLAGES HORLOGE ET CALENDRIER

Réglage de l'horloge

1. Appuyez sur le bouton **MODE** trois fois, l'horloge commence à clignoter.
2. Appuyez sur le bouton **TUN +/-** pour régler les heures.
3. Appuyez sur le bouton **VOL +/-** pour régler les minutes.
4. Appuyez sur le bouton **MEM** pour confirmer les réglages.

Réglage de la mode d'affichage de l'heure 12/24 Heures

1. Appuyez sur le bouton **MODE** plusieurs fois jusqu'à ce que la mode de réglage de format l'heure 12/24 Heures soit atteinte. Le 12H ou 24H vont clignoter dans l'affichage.
2. Appuyez sur le bouton **TUN +/-** pour sélectionner la mode d'affichage 12H ou 24H.
3. Appuyez sur le bouton **MEM** pour confirmer.

Réglage du calendrier

Année

1. Appuyez sur le bouton **MODE** plusieurs fois jusqu'à ce que la mode de réglage de l'année soit atteinte. La lecture de l'année clignote maintenant.
2. Pour régler l'année, appuyez sur le bouton **TUN +/-** pour régler l'année correcte.
3. Appuyez sur le bouton **MEM** pour confirmer le réglage.

Mois/Date

1. Appuyez sur le bouton **MODE** plusieurs fois jusqu'à ce que la mode de réglage Mois/Date soit atteinte. La lecture de Mois/Date va clignoter maintenant.
2. Pour régler le mois; appuyez sur le bouton **TUN +/-**. Pour régler la date, appuyez sur le bouton **VOL +/-**.
3. Appuyez sur le bouton **MEM** pour confirmer les réglages.

OPERATIONS D'ALARME

Réglage de l'heure de l'alarme

Lorsque l'appareil est en mode Power Off:

1. Appuyez une fois sur le bouton **MODE**. L'affichage de l'horloge de l'alarme commence à clignoter.
2. Appuyez sur le bouton **TUN +/-** pour régler l'heure de l'alarme et le bouton **VOL +/-** pour régler les minutes.
3. Appuyez de nouveau sur le bouton **MODE**. L'icône d'alarme va clignoter.
4. Sélectionner "Wake to Buzzer", "Wake to Radio" ou "Wake to iPod®" en appuyant sur le bouton **VOL +/-**.

A NOTER: Lorsque "Wake to Radio" est sélectionné, assurez-vous que votre station de radio désirée est syntonisée et le niveau de volume correct est réglé. Lorsque "Wake to iPod®" est sélectionné mais votre iPod n'est pas branché; la source d'alarme va être redirigée vers le Buzzer automatiquement lorsque l'heure d'alarme est atteinte.

5. Appuyez sur le bouton **MEM** pour sauvegarder tous les réglages et sortir de la mode de réglage.
6. Pour activer l'alarme quotidienne appuyez sur le bouton **ALARM On/Off**. L'icône "🔔" va apparaître sur l'affichage.
7. Lorsque l'heure de l'alarme est atteinte, l'alarme va sonner de la source sélectionnée immédiatement.

Wake to Buzzer (BUZ)

- Après que l'heure de l'horloge soit atteinte, l'alarme de sonnerie va sonner immédiatement pour une minute.
- Après la première minute d'alarme, il va revenir à la mode rappel d'alarme. Dès que l'alarme se met en arrêt, la prochaine alarme va venir à la fin de la période de rappel d'alarme de 10 minutes. L'opération va se répéter trois fois
- Après la terminaison de la troisième alarme, l'alarme va s'arrêter jusqu'à la même heure d'alarme le lendemain.
- Pour arrêter l'alarme de la sonnerie immédiatement, appuyez une fois sur le bouton **ALARM On/Off**.

Wake to Radio (RAD)

- La radio va automatiquement se mettre en marche lorsque l'heure d'alarme est atteinte. Elle commence doucement mais gagne en intensité avec le temps.
- L'alarme de la radio va jouer pendant 60 minutes et puis se mettra automatiquement en arrêt.
- Pour arrêter l'alarme de la radio immédiatement; appuyez une fois sur le bouton **ALARM On/Off**.

Wake to iPod® (iPod)

- Votre iPod branché va se mettre automatiquement en marche lorsque l'heure de l'alarme est atteinte. Il commence doucement et gagne en intensité avec le temps.
- La reproduction iPod va se maintenir pendant 60 minutes et puis va s'arrêter automatiquement.
- Pour arrêter immédiatement la reproduction iPod, appuyez une fois sur le bouton **ALARM On/Off**.

Snooze Function

- Lorsque l'alarme sonne; il peut être temporairement arrêté en appuyant sur le bouton **SNOOZE**.
- L'horloge va montrer l'indicateur "SNOOZE".
- L'alarme sera retardée pendant 10 minutes et puis va sonner de nouveau.
- Cette opération snooze à la main peut être répétée trois fois seulement.

Minuterie Sommeil (Sleep Timer)

- La minuterie Sommeil vous permet d'arrêter l'appareil automatiquement après le réglage d'une heure de sommeil.
- Pour activer la minuterie Sommeil et sélectionner une période de sommeil, appuyez plusieurs fois sur le bouton **SLEEP**.
- Les périodes de sommeil disponibles pour sélection sont 15, 30, 45, ou 60 minutes. L'affichage va montrer l'indicateur "SLEEP".
- Pour mettre la minuterie Sommeil en arrêt, appuyez sur le bouton **SLEEP** plusieurs fois jusqu'à ce que l'indicateur SLEEP disparaisse.
- Pour mettre l'appareil en arrêt avant la période de sommeil sélectionnée, appuyez une fois sur le bouton **POWER On/Off** button.
- Pour vérifier la période de sommeil actuelle, appuyez une fois sur le bouton **SLEEP**.

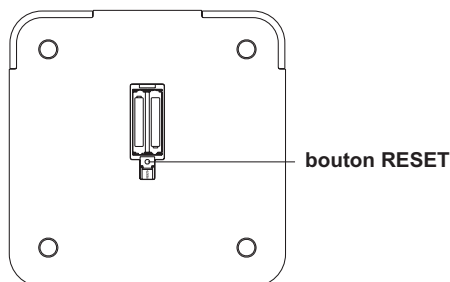
SOIN ET ENTRETIEN

- Ne soumettez pas l'appareil à la force excessive, au choc, à la poussière et aux températures extrêmes.
- Ne tripotez pas les composants internes de l'appareil.
- Nettoyez votre appareil avec un tissu sec. N'utilisez jamais des solutions liquides ou des détergents.
- Evitez de laisser votre appareil dans les rayons de soleil directs ou dans des endroits chauds; humides ou poussiéreux.
- Gardez votre appareil loin des appareils de réchauffement et des sources de bruit électriques tels que des lampes fluorescentes ou des moteurs.

Réinitialiser l'appareil

Si l'appareil est soumis à une surtension de puissance ou un choc électrique, il est possible que le micro-contrôleur interne puisse se verrouiller et l'appareil ne réponde pas à aucune commande venant des contrôles du panneau de haut ou de la télécommande.

1. Dans ce cas, débranchez et puis rebranchez la prise de puissance courant alternative à la prise murale.
2. Utilisez un agrafe redressé, un cure-dent ou des objets pareils pour appuyer le bouton RESET situé en bas de l'appareil principal (voir la figure ci-dessous). L'opération de réinitialisation efface la mémoire de système et tous vos réglages précédents seront effacés. CAUTION: N'UTILISEZ JAMAIS D'OBJETS FINSS. POINTUS, POUR APPUYER SUR LE BOUTON RESET. CELA PEUT NUIRE A L'INTERROMPTEUR DE REINITIALISATION A L'INTERIEUR DE L'APPAREIL.



GUIDE DU DEPANNAGE

Symptôme	Problème Possible	Solution
Aucune réponse de la part de l'appareil (aucune puissance)	La prise de puissance courant alternative n'est pas branchée à une prise femelle murale.	Branchez la prise de puissance courant alternative à la prise femelle murale.
	La prise murale ne fonctionne pas.	Branchez un autre engine dans la meme prise pour confirmer que la prise fonctionne.
iPod® ne se branche pas correctement	Utilisation du mauvais adaptateur ou aucun adaptateur iPod®.	Assurez-vous que l'insertions de branchement est la bonne mesure pour votre iPod®.
	iPod® ne s'installe pas correctement.	Enlevez votre iPod® du dock et verifiez pour obstruction sur les connecteurs dans le dock et sur votre iPod®. Puis ; rassoiez-le dans le dock.
iPod® ne répond pas au système de haut parleurs	iPod® n'est pas correctement installé	Enlevez votre iPod® du dock et verifiez pour des obstructions sur les connecteurs dans le dock et sur votre iPod®. Puis rassoiez-le dans le dock.
	Votre iPod® est verrouillé.	Assurez-vous que votre iPod® fonctionne correctement avant le branchement à cet appareil. Référez-vous à votre guide iPod® pour les détails.
iPod® ne se charge pas	iPod n'est pas bien installé	Enlevez votre iPod® du dock et verifiez pour des obstructions sur les connecteurs du dock et sur votre iPod®. Puis, rassoiez-le dans le dock. Then reseal it in the dock.
	iPod® est verrouillé/congelé. La pile iPod® a un problème.	Assurez-vous que votre iPod® fonctionne correctement avant de le brancher dans l'appareil. Référez-vous à votre guide iPod pour les details.
Il y a distorsion du son	Niveau de volume est trop haut	Diminuez le volume
	La source sonore souffre de la distorsion	Si la source sonore d'origine de l'iPod est de mauvaise qualité, la distorsion et du bruit sont facilement remarqués avec des haut parleurs de haut puissance. Essayez une source audio différente telle qu'un CD musique.
		Si vous utilisez une source de son externe comme une generation de l'iPod plus vieille, essayez de réduire la sortie volume sur l'engin lui-même. Aussi, essayez de mettre en arrêt l'augmentation de basse ou de changer le réglage EQ.
L'appareil se réchauffe après la reproduction prolongée à des volumes hauts.	Ceci est normal.	Mettez l'appareil en arrêt pour une période de temps ou baissez le volume.

SPECIFICATIONS

Exigences de puissance

Entrée	AC120V/60Hz
Piles de secours pour l'horloge	2 x 1.5V 'AAA'(UM-4) Batteries
Télécommande	1 x CR2032 Pile Lithium

Gamme de Fréquence

Système de transmission radio des Etats-Unis	FM 87.5 MHz - 108 MHz, 0.1 MHz tuning step
Système de transmission radio d'Union Européenne	FM 87.5 MHz - 108 MHz, 0.5 MHz tuning step
Système de transmission radio du Japon	FM 76.0 MHz - 108 MHz, 0.1 MHz tuning step

<u>Consommation de puissance</u>	19W
--	-----



AUDIOVOX®

Garantie limitée de 90 jours

Applicable aux stéréos portables Audiovox

Audiovox Electronics Corporation (la Société) garantit à l'acheteur en détail d'origine de ce produit que si ce produit ou une partie quelconque de ce produit, dans des conditions d'utilisation normales, s'avère défectueux en matériel ou en artisanat dans 90 Jours de la date d'achat d'origine, de tels défauts seront réparés ou remplacé par un nouveau produit ou par un produit reconditionné (à la seule discrétion de la Société) sans charges pour les parties à remplacer ou le travail manuel.

Pour obtenir la réparation ou le remplacement dans les termes de cette Garantie, le produit doit être livré avec la preuve de couverture de garantie (facture datée), spécification des défauts, transportation prépayée, à un poste de garantie approuvé. Pour connaître l'emplacement du poste de garantie le plus près de vous, appelez gratuitement à notre bureau de contrôle : **1-800-645-4994**

Cette Garantie ne s'étend pas à l'élimination à des parasites et des bruits engendrés extérieurement, à la correction des problèmes d'antenne, des coûts d'installation, des coûts d'enlèvement ou de réinstallation du produit, des dommages aux cassettes, disques compacts, haut parleurs, accessoires, ou des systèmes électriques.

Cette Garantie ne s'applique pas à tout produit ou une partie du produit quelconque, qui, dans l'avis de la Société, a souffert ou bien a été endommagé par l'altération, installation incorrecte, mauvaise manipulation, mauvaise utilisation, négligence et accident, ou par l'enlèvement ou défiguration du numéro de série d'usine ou le code-barres d'usine. L'ETENDU DE LA RESPONSABILITE DE LA SOCIETE SOUS CETTE GARANTIE EST LIMITE A LA REPARATION OU LE REMPLACEMENT FOURNI CI-DESSUS ET DANS AUCUN CAS LA RESPONSABILITE DE LA SOCIETE NE S'ELEVERA AU-DESSUS DU PRIX D'ACHAT PAYE PAR L'ACHETEUR POUR CE PRODUIT.

Cette Garantie tien lieu de toutes les garanties ou responsabilités expresses. TOUTE GARANTIE IMPLIQUEE, Y COMPRIS TOUTE GARANTIE DE MARCANDABILITE, SERA LIMITEE A LA DUREE DE CETTE GARANTIE ECRITE. TOUT ACTION POUR RUPTURE DE TOUTE GARANTIE CI-DESSOUS Y COMPRIS TOUTE GARANTIE IMPLIQUEE DE MARCHANDABILITE DOIT ETRE PORTE DANS UNE PERIODE DE 12 MOIS DEPUIS LA DATE D'ACHAT D'ORIGINE. EN AUCUN CAS LA SOCIETE NE SERA RESPONSABLE POUR DES DOMMAGES ACCESSOIRES POUR RUPTURE DE CETTE OU TOUT AUTRE GARANTIE. Aucune personne ou représentant n'est autorisé à assumer de la part de la Société une responsabilité quelconque autre que celle exprimée dans cette garantie par rapport à la vente de ce produit.

Certains états ne permettent pas de limitations sur la durée d'une garantie impliquée ou l'exclusion ou la limitation des dommages accessoires, alors les limitations ou les exclusions ci-dessus ne s'appliquent pas à vous. Cette garantie vous donne des droits spécifiques et vous pouvez avoir d'autres droits qui varient d'état en état.

Audiovox Electronics Corporation, Hauppauge, New York 11788 • 1-800-645-4994





Audiovox Electronics Corporation
150 Marcus Blvd
Hauppauge, New York 11788
© 2008 Audiovox Electronics Corporation

PRINTED IN CHINA
www.audiovox.com

Free Manuals Download Website

<http://myh66.com>

<http://usermanuals.us>

<http://www.somanuals.com>

<http://www.4manuals.cc>

<http://www.manual-lib.com>

<http://www.404manual.com>

<http://www.luxmanual.com>

<http://aubethermostatmanual.com>

Golf course search by state

<http://golfingnear.com>

Email search by domain

<http://emailbydomain.com>

Auto manuals search

<http://auto.somanuals.com>

TV manuals search

<http://tv.somanuals.com>