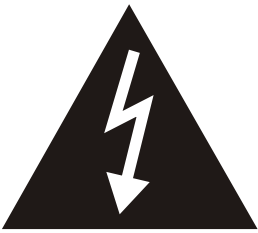


INSTRUCTION MANUAL

**MCB10**  
MP3 CD BOOMBOX WITH AM/FM RADIO

## Table Of Contents

Caution.....	02
Location Of Controls .....	03
Specifications .....	04
Power Supply .....	04
Basic Operations	
Radio.....	05
Headphone Jack .....	05
Inserting And Removing Of CDs .....	05
Playing Standard CDs .....	05
How To Play MP3 Discs .....	06
How To Program The CD Player .....	06
Troubleshooting .....	06



The lightning flash and arrow head within the triangle is a warning sign alerting you of "dangerous voltage" inside the product.

## CAUTION

**RISK OF ELECTRIC SHOCK  
DO NOT OPEN**

**WARNING:** To reduce the risk of electric shock, do not remove cover (or back). No user-serviceable parts inside. Refer servicing to qualified service personnel.



The exclamation point within the triangle is a warning sign alerting you of important instructions accompanying the product.

### **WARNING:**

TO REDUCE THE RISK OF FIRE OR ELECTRIC SHOCK, DO NOT EXPOSE THIS APPLIANCE TO DRIPPING OR SPLASHING LIQUIDS.



**CAUTION  
DO NOT EXPOSE TO DRIPPING OR SPLASHING LIQUIDS!**

**CAUTION: GROUNDING OR POLARIZATION. THE PRECAUTIONS SHOULD BE TAKEN SO THAT THE WIDER BLADE OF THE AC PLUG MUST MATCH THE SLOT IN RECEPTACLE "WALL SOCKET".**

CAUTION: INVISIBLE LASER RADIATION WHEN OPEN AND INTERLOCKS DEFEATED. AVOID EXPOSURE TO BEAM.

VORSICHT: UNSICHTBARE LASERSTRAHLUNG TRITTAUS, WENN DECKEL GEÖFFNET UND WENN SICHERHEITSVERRIEGELUNG ÜBERBRÜCKT IST. NICHT DEM STRAHL AUSSETZEN!

VARNING: OSYNLIG LASERSTRÅLNING NÄR DENNA DEL ÄR ÖPPNAD OCH SPÄRR ÄR URKOPPLAND. STRÅLEN ÄR FARLIG.

ADVARSEL: USYNLIG LASERSTRÅLING VED ÅBNING. NÅR SIKKERHEDSAFBRYDERE ER UDE AF FUNKTION. UNDGÅ UDS/ETTELSE FOR STRÅLING.

ATTENZIONE: RADIONI LASER INVISIBILE. NON GUARDARE DIRETTAMENTE NELLA SORGENTE DELLASER.

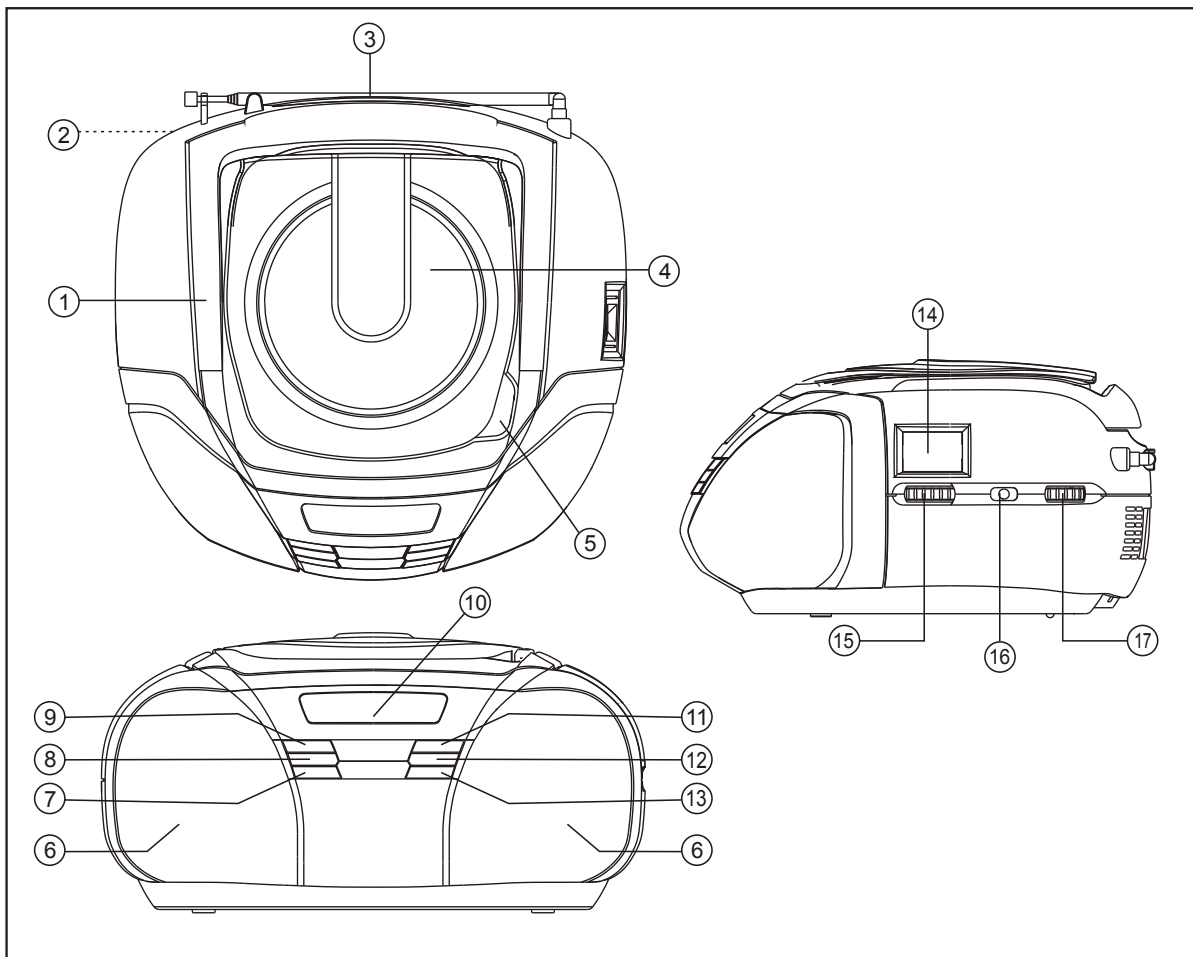
ACHTUNG: LASERLINSE NICHT BERÜHREN UNSICHTBARER LASERSTRAHL.

AVISO: ALENTE NUNCA DEVE SER TOCADA.



CLASS 1 LASER PRODUCT  
KLASSE 1 LASER PRODUKT  
LASER DE CLASSE  
LASER DI PRIMA CLASSE  
KLASSE 1 LASER  
LASER PRIMERA CLASE  
LASER CLASSE 1  
KLASSE 1 LASER PRODUKT

## Locations Of Controls



- |                                |   |
|--------------------------------|---|
| 01. Handle                     | 10. CD Display                                |
| 02. Headphone Jack             | 11. CD Play And Pause Button                  |
| 03. Telescopic Antenna (FM)    | 12. CD Skip Forward Button                    |
| 04. CD Door                    | 13. CD Skip Back Button                       |
| 05. CD Door Opening Recess     | 14. Radio Dial Scale Window                   |
| 06. Speakers (Left And Right)  | 15. Radio Tuning Control                      |
| 07. Skip +10 / Folder Button   | 16. Function Switch (AM / FM / OFF / CD(MP3)) |
| 08. CD Repeat / Program Button | 17. Volume Control Knob                       |
| 09. CD Stop Button             |   |

## Specifications

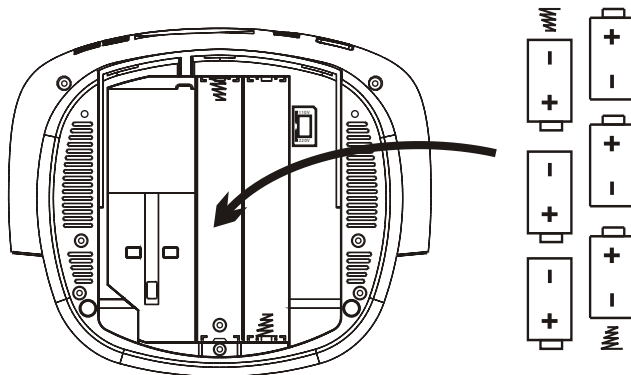
Power supply: .....	AC 110/220V ~ 50/60Hz DC 9V (6 x C-Cell / UM-2/ LR14 Size) Batteries not included
Power consumption: .....	15W
Output power per channel: .....	1W
Frequency: .....	AM 530 - 1710 KHz FM 88 - 108 MHz

Do not set the MCB10 near or around objects that contain water or other liquids. Exposure to liquids could cause the unit to short-circuit and possibly cause a fire hazard.

## Power Supply

Battery operation:

Open the battery compartment door and insert all 6 c-size batteries. Please observe the correct battery polarities otherwise the MCB10 will not work.



### Important:

To avoid damage to the MCB10, remove the batteries (if inserted) when not using DC voltage. Leaving the batteries placed in the unit during AC voltage operation could result in battery leakage.

AC operation (built-in transformer):

Make sure the voltage of the MCB10 matches the local household voltage. Insert plug of the AC-cord into a wall outlet with AC-power.

When not in use, make sure the Function switch is turned to the Off position to conserve power.

## Radio

- Set the Function switch to the desired band (AM or FM).
- Rotate the Tuning Knob to tune-in the desired station.
- Adjust the Antenna (for FM stations) and re-position the unit for AM stations to obtain the best reception.
- Adjust the Volume Knob to the desired level of sound.
- To turn off the radio, slide the Function switch to OFF.

## Headphone Jack

This unit comes equipped with a built-in 3.5mm headphone jack which accepts most standard earphones and headphones (not included).

- When the plug of a standard stereo headphone (or earphone) is inserted into the headphone jack, the built-in speakers will automatically shut off and the sound redirected through the headphones / earphones.
- When the headphones / earphones are removed from the headphone jack, sound will resume through the unit's speakers.





## Inserting And Removing CDs

- Lift the CD Door of the CD player.
- To place a CD into the CD player, make sure the center hole of the CD lines up with the circular CD spindle inside of the CD player. Gently press the CD down to lock the CD into place onto the spindle.
- Once the CD is in place, close the CD Door and the playback will start automatically.
- When finished listening to the CD, press the Stop button and wait until CD has come to a complete stop before lifting CD Door.
- Gently release and remove the CD from the unit.

To prevent damaging of CDs:

- Make sure the label side is face up before inserting them into the CD player.
- Be careful not to scratch the CD on the CD spindle when removing the CD.

## Playing Standard CDs

- Insert a CD as described in the above directions.
- Slide the Function switch to CD(MP3).
- The CD will spin momentarily and then the display will show "CD" and the total number of tracks on the disc.
- Afterwards, the playback will start automatically from the first song of the disc.
- At anytime during playback, pressing the Play/Pause button  will Pause the CD. Press Play/Pause button again to resume.
- At anytime during playback, pressing the Stop button  will stop play.
- At anytime during playback, pressing the Next/Back buttons  allows selecting of other CD tracks.
- At anytime during playback, press and hold the Next/Back buttons  to fast forward or reverse through the playing track.
- At anytime during playback, press the CD Repeat button as follows:
  - Press once - repeats the current track, the repeat indicator will blink.
  - Press twice - repeats the entire CD, the repeat indicator will light.
  - Press third or press stop button to cancel the repeat.

## How To Play MP3 CDs

- Insert a MP3 CD just as a normal CD (described on page 05) .
- Slide the Function switch to CD(MP3).
- The disc will spin and perform a full check of the entire disc.
- Once the check is complete, the first song (track) will start to play and the display will show "MP3".
- At anytime during playback, press the Next/Back button to skip forward or backward one track at a time.
- MP3 discs often have "Folders" (sub-directories) which contain groups of songs. To skip to a different folder, press the Skip+10 / Folder button. (If the disc has more than 1 folder.)

## How To Program The CD Player

- The CD player can be programmed to play up to 20 consecutive tracks in any given order as desired.
- Always press the Stop button before beginning any programming.
- Press the Program button, the display will show **P** and an "P01" will flash, to indicate that the set is now in "Memory Programming Mode".
- Press the Next/Back button to select the desired tracks (songs).
- When you scan to the numbered track you would like to program, simply press the Program button to store that particular track into the Program Memory.
- Repeat the previous step to program all of the desired tracks (up to 20 total tracks) to be programmed.
- After the maximum 20 tracks have been programmed, (or less).
- Press Play to start the progress of the programmed tracks (songs).
- To clear the memory (cancel the programmed songs), simply press the Stop button or turn OFF the unit entirely.

## Troubleshooting

Problems	Possible reasons	Resolvents
Radio		
Noise or sound distorted on radio broadcasts	<ul style="list-style-type: none"> <li>- Station not tuned properly for AM or FM.</li> <li>- FM: Telescopic antenna is not properly adjusted.</li> <li>- AM: Unit is not positioned correctly.</li> </ul>	<ul style="list-style-type: none"> <li>- Retune the AM or FM broadcast station.</li> <li>- Extend wire antenna.</li> <li>- Rotate unit for best reception.</li> </ul>
AM or FM, no sound	<ul style="list-style-type: none"> <li>- Tuner is not selected.</li> <li>- Volume at minimum.</li> </ul>	<ul style="list-style-type: none"> <li>- Slide the Function switch to select the radio.</li> <li>- Increase volume.</li> </ul>
Compact Disc Player		
CD will not play	<ul style="list-style-type: none"> <li>- There is not a CD in unit.</li> <li>- CD Function is not selected.</li> <li>- CD is placed with label side down.</li> <li>- CD is scratched/damaged.</li> <li>- CD is wrong format.</li> </ul>	<ul style="list-style-type: none"> <li>- Insert a CD and press play.</li> <li>- Press FUNCTION button to select CD.</li> <li>- Flip the CD over where label side is facing up.</li> <li>- Discard disc and use another.</li> <li>- Make sure the CD is burned in an MP3 file format.</li> </ul>

## Troubleshooting (Continued)

General		
AC power doesn't work	<ul style="list-style-type: none"><li>- AC power cord is not connected.</li></ul>	<ul style="list-style-type: none"><li>- Connect AC power cord.</li></ul>
DC power doesn't work	<ul style="list-style-type: none"><li>- Batteries are not inserted.</li><li>- Battery placement is wrong.</li><li>- Batteries are no good.</li></ul>	<ul style="list-style-type: none"><li>- Insert batteries.</li><li>- Check the polarities of the batteries</li><li>- Replace batteries.</li></ul>
No Sound	<ul style="list-style-type: none"><li>- The unit is not turned on.</li><li>- Headphones inserted.</li><li>- The volume of the unit is turned all the way down.</li></ul>	<ul style="list-style-type: none"><li>- Turn on the unit.</li><li>- Remove headphones.</li><li>- Turn up the volume to desired listening level.</li></ul>





Auvi Electronics N.A. & Auvi Electronics L.A.

Retail Divisions of Auvi Technologies  
5988 Mid Rivers Mall Drive  
St. Charles, MO 63304  
[www.auviworld.com](http://www.auviworld.com)

For customer service inquiries in the U.S. and Canada, please email [custservice@auviusa.com](mailto:custservice@auviusa.com).

For customer service inquiries in Latin and South America, please email [custserviceLA@auviworld.com](mailto:custserviceLA@auviworld.com).

© 2006 Auvi Technologies, LLC. All Rights Reserved. Auvi Electronics N.A., LLC and Auvi Electronics L.A., LLC are separate subsidiaries of Auvi Technologies, LLC. All the mentioned trademarks or trade names are the property of their respective owners. Specifications of product features are subject to change without notice, which might alter the functionality described within this instruction manual.

## Free Manuals Download Website

<http://myh66.com>

<http://usermanuals.us>

<http://www.somanuals.com>

<http://www.4manuals.cc>

<http://www.manual-lib.com>

<http://www.404manual.com>

<http://www.luxmanual.com>

<http://aubethermostatmanual.com>

Golf course search by state

<http://golfingnear.com>

Email search by domain

<http://emailbydomain.com>

Auto manuals search

<http://auto.somanuals.com>

TV manuals search

<http://tv.somanuals.com>