



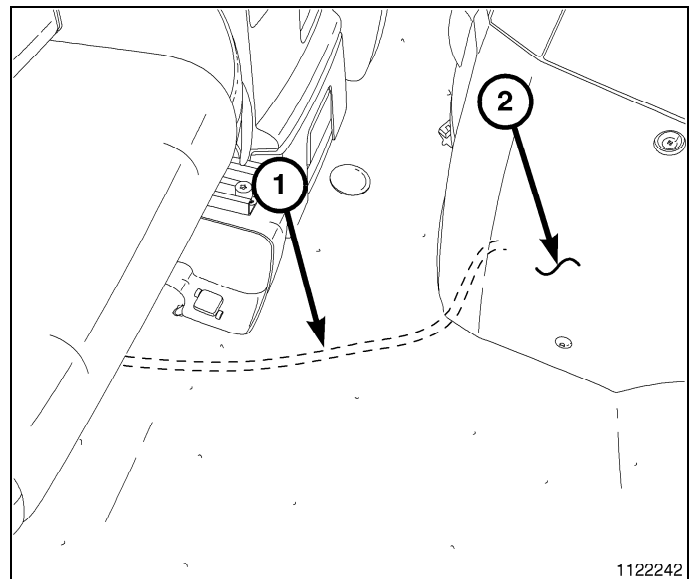
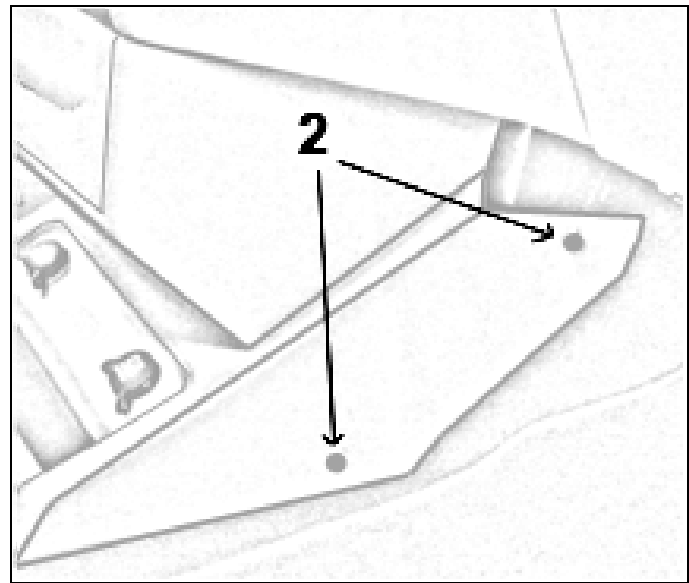
## WIFI ROUTER

Routan

### PROCEDURE STEPS:

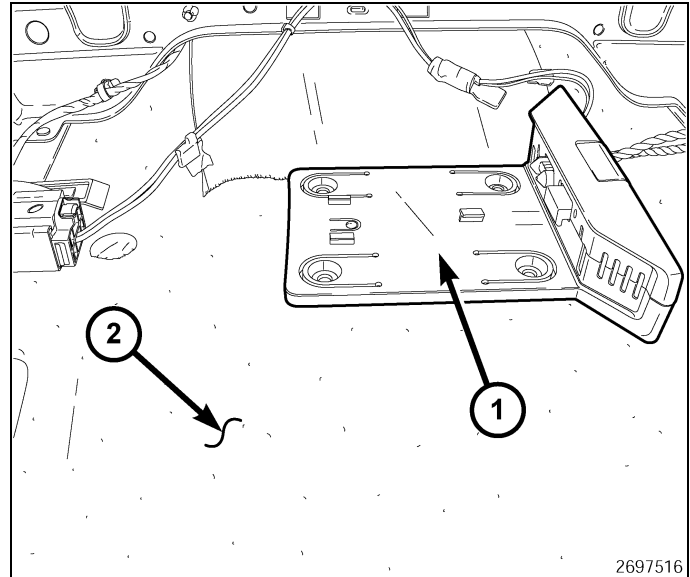
**NOTE:** Using a test light, verify the cigarette lighter outlet being used is ignition switched. Power must not be present with the ignition in the OFF position.

1. Move the passenger seat to the full rearward position.
2. Disconnect the negative battery cable.
3. Remove the four fasteners (2) on both sides of the storage bin.
4. Carefully disengage the two spring clips from the top center of the bin and pull the storage bin towards the rear of the vehicle.
5. Route the WiFi power harness (1) under the carpet from the passenger seat to the instrument panel storage bin (2).



1122242

6. Secure the Wi-Fi router bracket (1) under the passenger seat with the provided materials.
7. Connect the power harness connector (2) to the Wi-Fi router.

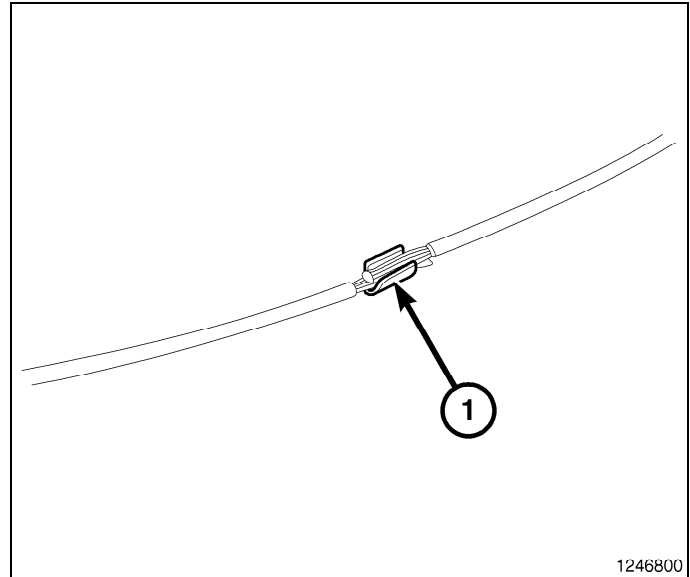


**NOTE: Do not use the power outlet for the power supply to the Wi-Fi router.**

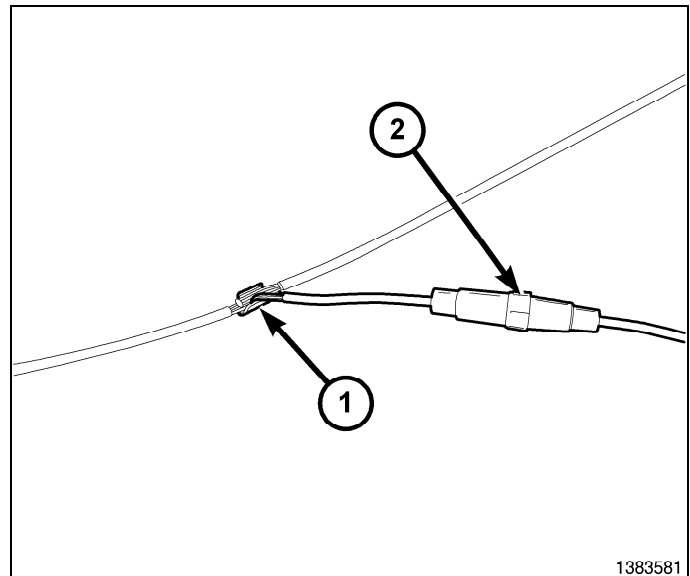
8. Locate the cigarette lighter outlet wiring harness.
9. Cut each wire and remove 13 mm (0.5 in.) of insulation from each wire that needs to be soldered/spliced.
10. Place a piece of supplied adhesive lined heat shrink tubing on one side of each cut wire. Insure the tubing will be long enough to cover and seal the entire soldered area.

**CAUTION: Do not use acid core solder.**

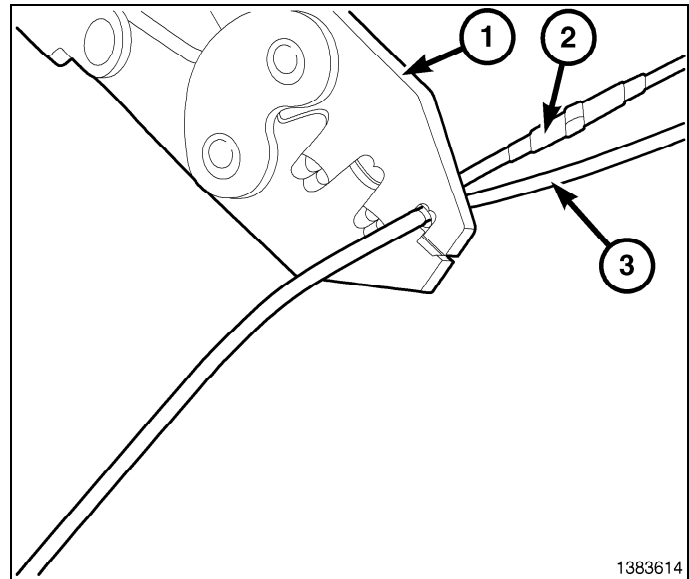
11. Solder the supplied fused pigtail to Wi-Fi power harness power wire.



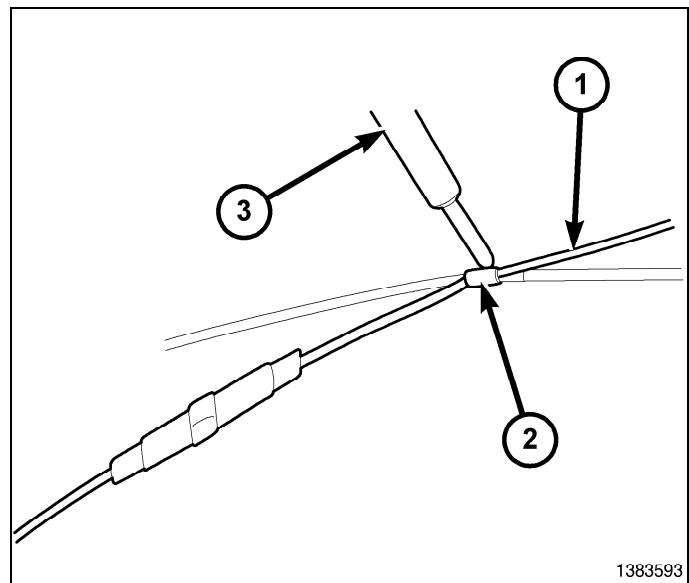
12. Place the strands of the power side wires overlapping each other inside of the splice clip (1).



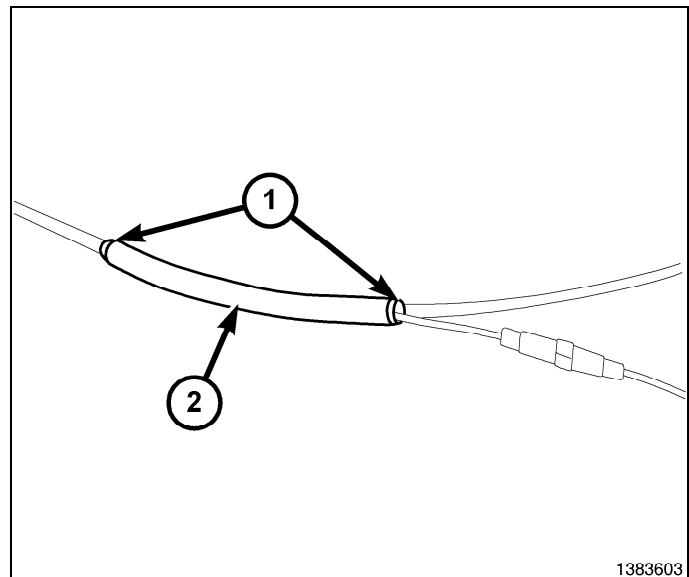
13. Using crimping tool (1), Mopar® p/n 05019912AA or equivalent, crimp the splice clip and wires together.
14. Repeat the previous two steps for the ground side wires.



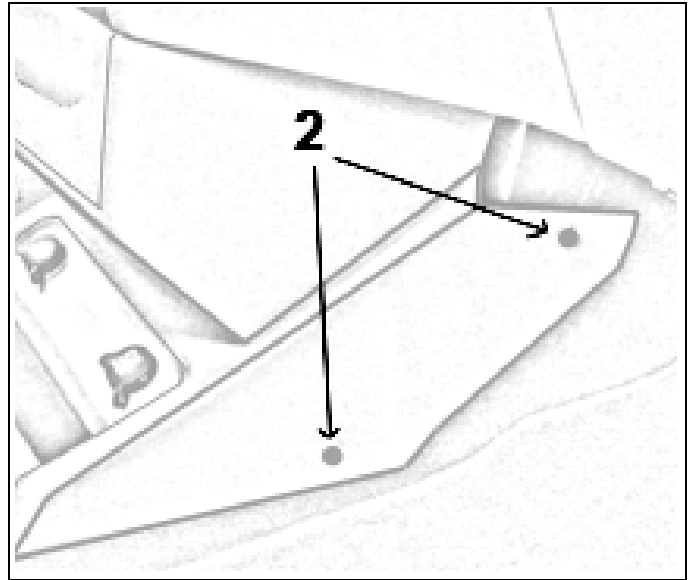
15. Solder (3) the connection (2) together using rosin core solder (1).



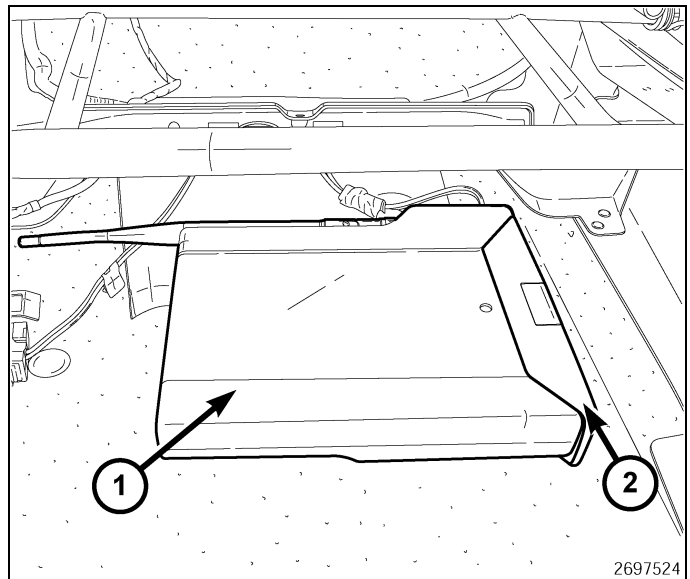
16. Center the heat shrink tubing (2) over the solder joint and heat using a heat gun. Heat the joint until the tubing is tightly sealed and sealant (1) comes out of both ends of the tubing.



17. Position storage bin into place and connect the electrical connectors
18. Seat the storage bin and engage the spring clip retainers.
19. Install the four fasteners (2) on both sides of the storage bin.



20. Install the WiFi router (2) into the router bracket (1).
21. Connect the negative battery cable.
22. Verify system operation.



## Free Manuals Download Website

<http://myh66.com>

<http://usermanuals.us>

<http://www.somanuals.com>

<http://www.4manuals.cc>

<http://www.manual-lib.com>

<http://www.404manual.com>

<http://www.luxmanual.com>

<http://aubethermostatmanual.com>

Golf course search by state

<http://golfingnear.com>

Email search by domain

<http://emailbydomain.com>

Auto manuals search

<http://auto.somanuals.com>

TV manuals search

<http://tv.somanuals.com>