



**ICE MAKER/MAQUINA DE HACER HIELO  
INSTRUCTION MANUAL/MANUAL DE INSTRUCCIONES**

**Model Numbers / No. de Modelos: IMW24/IMP25**

**BEFORE USE, PLEASE READ AND FOLLOW ALL SAFETY RULES AND OPERATING INSTRUCTIONS.**

Avanti has a policy of continuous improvement on its products and reserves the right to change materials and specifications without notice.

---

**Avanti Products, A Division of The Mackle Co., Inc.  
P.O. Box 520604 - Miami, Florida 33152  
[www.avantiproducts.com](http://www.avantiproducts.com)**

---

## ICE MAKER SAFETY

### YOUR SAFETY AND THE SAFETY OF OTHERS ARE VERY IMPORTANT.

We have provided many important safety messages in this manual for your appliance. Always read and obey all safety messages.



This is the safety alert symbol. This symbol alerts you to Potential hazards that can kill or injure you and others. All safety messages will follow the safety alert symbol And either the words "danger", "warning" or "caution".



Danger means that failure to heed this safety statement may result in severe personal injury or death.



Warning means that failure to heed this safety statement may result in extensive product damage, serious personal injury, or death.



Caution means that failure to heed this safety statement may result in minor or moderate personal injury, property or equipment damage.

All safety messages will alert you to know what potential hazard is, tell you how to reduce the chance of injury, and let you know what can happen if the instructions are not followed.

## IMPORTANT SAFEGUIDES



Before the appliance is used, it must be properly positioned and installed as described in this manual, so read the manual carefully. To reduce the risk of fire, electrical shock or injury when using the appliance, follow basic precaution, including the following:

### DANGER

- ? Plug into a grounded 3-prong outlet, do not remove grounding prong, do not use an adapter, and do not use an extension cord.
- ? It is recommended that a separate circuit, serving only your appliance be provided. Use receptacles that cannot be turned off by a switch or pull chain.
- ? Never clean appliance parts with flammable fluids. These fumes can create a fire hazard or explosion. And do not store or use gasoline or other flammable vapors and liquids in the vicinity of this or any other appliance. The fumes can create a fire hazard or explosion.
- ? Before proceeding with cleaning and maintenance operations, make sure the power line of the unit is disconnected.
- ? Do not connect or disconnect the electric plug when your hands are wet.
- ? Unplug the appliance or disconnect power before cleaning or servicing. Failure to do so can result in electrical shock or death.
- ? Do not attempt to repair or replace any part of your appliance unless it is specifically recommended in this manual. All other servicing should be referred to a qualified technician.

### WARNING

#### FOLLOW WARNING CALL OUTS BELOW ONLY WHEN APPLICABLE TO YOUR MODEL

- ? Use two or more people to move and install appliance. Failure to do so can result in back or other injury.
- ? To ensure proper ventilation for your appliance, the front of the unit must be completely unobstructed. Choose a well-ventilated area with temperatures above 60°F (16 °C) and below 90°F (32 °C). This unit must be installed in an area protected from the element, such as wind, rain, water spray or drips.
- ? The appliance should not be located next to ovens, grills or other sources of high heat.
- ? The appliance must be installed with all electrical, water and drain connections in accordance with state and local codes. A standard electrical supply (115 v ac only, 60 hz), properly grounded in accordance with the national electrical code and local codes and ordinances is required.
- ? Do not kink or pinch the power supply cord of appliance.
- ? The fuse (or circuit breaker) size should be 15 amperes.
- ? It is important for the appliance to be leveled in order to work properly. You may need to make several adjustments to level it.
- ? All installation must be in accordance with local plumbing code requirements.
- ? Make certain that the pipes are not pinched or kinked or damaged during installations.
- ? Check for leaks after connection.
- ? Never allow children to operate, play with or crawl inside the appliance.
- ? If you use the drainage container, you must set the drain select switch to off or the water can overflow from the drainage container.
- ? Although the unit has been tested at the factory, due to long-term transit and storage, the first batch of cubes must be discarded.
- ? Do not use solvent-based cleaning agents or abrasives on the interior. These cleaners may damage or discolor the interior.
- ? Do not use this apparatus for other than its intended purpose.

## REGISTRATION INFORMATION

Thank you for purchasing this fine Avanti product. Please fill out this form and return it within 100 days of purchase to receive these important benefits to the following address:

**Avanti Products, A Division of The Mackle Co., Inc.  
P.O. Box 520604- Miami, Florida 33152 USA**

**PROTECT YOUR PRODUCT:**

We will keep the model number and date of purchase of your new Avanti product on file to help you refer to this information in the event of an insurance claim such as fire or theft.

**PROMOTE BETTER PRODUCTS:**

We value your input. Your responses will help us develop products designed to best meet your future needs.

----- (DETACH HERE) -----

### AVANTI REGISTRATION FORM

NAME \_\_\_\_\_

MODEL # \_\_\_\_\_ SERIAL # \_\_\_\_\_

ADDRESS \_\_\_\_\_

DATE PURCHASED \_\_\_\_\_ STORE/DEALER NAME \_\_\_\_\_

CITY \_\_\_\_\_ STATE \_\_\_\_\_ ZIP \_\_\_\_\_

OCCUPATION \_\_\_\_\_

AREA CODE \_\_\_\_\_ PHONE NUMBER \_\_\_\_\_

**AS YOUR PRIMARY RESIDENCE, DO YOU:**  
 OWN  RENT

**DID YOU PURCHASE AN ADDITIONAL WARRANTY:**  
 EXTENDED  NONE

**YOUR AGE:**  
 UNDER 18  18-25  26-30  
 31-35  36-50  OVER 50

**REASON FOR CHOOSING THIS AVANTI PRODUCT:**  
PLEASE INDICATE THE MOST IMPORTANT FACTORS THAT INFLUENCED YOUR DECISION TO PURCHASE THIS PRODUCT.

**MARITAL STATUS:**  
 MARRIED  SINGLE

- PRICE
- PRODUCT FEATURES
- AVANTI REPUTATION
- PRODUCT QUALITY
- SALESPERSON RECOMMENDATION
- FRIEND/RELATIVE RECOMMENDATION
- WARRANTY
- OTHER \_\_\_\_\_

**IS THIS PRODUCT USED IN THE:**  
 HOME  BUSINESS

**HOW DID YOU LEARN ABOUT THIS PRODUCT:**  
 ADVERTISING  PERSONAL DEMO  
 IN STORE DEMO

OTHER \_\_\_\_\_  
COMMENTS \_\_\_\_\_  
\_\_\_\_\_  
\_\_\_\_\_



---

## Help us help you...

### Read this guide carefully.

It is intended to help you operate and maintain your new ice maker properly.

Keep it handy to answer your questions. If you don't understand something or you need more help, please call:

**Avanti customer service  
800-220-5570**

Keep proof of original purchase date (such as your sales slip) with this guide to establish the warranty period.

### Write down the model and serial numbers.

You'll find them on a plate located on the rear wall of the ice maker.

Please write these numbers here:

\_\_\_\_\_

Date of purchase

\_\_\_\_\_

Model number

\_\_\_\_\_

Serial number

Use these numbers in any correspondence or service calls concerning your ice maker.

If you received a damaged ice maker, immediately contact the dealer (or builder) that sold you the ice maker.

Save time and money. Before you call for service, check the troubleshooting guide. It lists causes of minor operating problems that you can correct yourself.

---

## If you need service

We're proud of our service and want you to be pleased. If for some reason you are not happy with the service you receive, here are some steps to follow for further assistance.

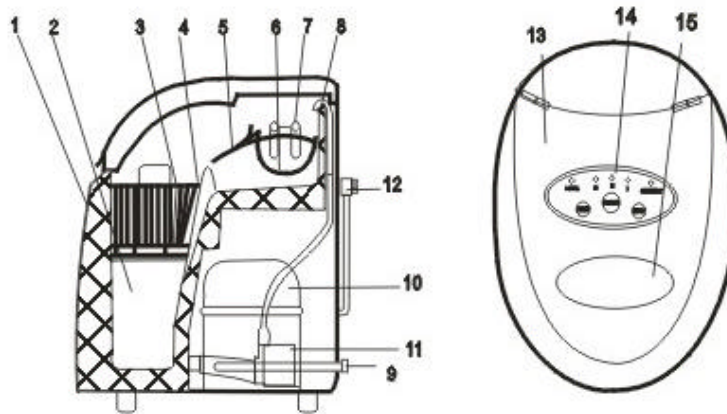
First, contact the people who serviced your ice maker. Explain why you are not pleased. In most cases, this will solve the problem.

Next, if you are still not pleased, write all the

details, including your telephone number, and send it to:

**Customer Service  
Avanti Products  
10880 NW 30<sup>th</sup> Street  
Miami, FL 33172 USA**

## PARTS AND FEATURES





1. Inner Liner
2. Water Reservoir
3. Ice Collecting Tray
4. Ice Bin Full Sensor
5. Ice Shovel
6. Water Tray
7. Evaporator
8. Water Inlet Tube
9. Water Drain Plug
10. Compressor
11. Water Pump
12. Power Cord
13. Lid
14. Control Board
15. Window

## Table of contents

Ice Maker Safety	2
Important Safeguards	3
Registration Information	4
Help Us Help You ...	6
Parts And Features	7
Important Safety Instructions	9
Installation Instructions	9
Before Using Your Ice Maker	9
Installation Of Your Ice Maker	9
Electrical Connection	10
Extension Cord	10
Control Panel Operation	10
Operating Instructions	11
Care And Maintenance	11
Cleaning Your Ice Maker	11
Space Requirements	12
Trouble Shooting Guide	12
Service For Your Ice Maker	12
Your Avanti Products Warranty	13
Wiring Diagram	14
INSTRUCCIONES EN ESPAÑOL	15-19



## IMPORTANT SAFETY INSTRUCTIONS

 <b>WARNING</b> 	To reduce the risk of fire, electrical shock, or injury when using your ice maker, follow these basic precautions:
<ul style="list-style-type: none"><li>? Read all instructions before using the ice maker.</li><li>? <b>Danger or Warning:</b> risk of child entrapment.</li><li>? Child entrapment and suffocation are not problems of the past. Junked or abandoned appliances are still dangerous. . . Even if they will “just sit in the garage a few days.”</li><li>? <b>Before you throw away your ice maker:</b> take off the door. Leave the shelves in place so that children may not easily climb inside.</li><li>? Never allow children to operate, play with, or crawl inside the appliance.</li><li>? Never clean ice maker parts with flammable fluids. The fumes can create a fire hazard or explosion.</li><li>? Do not store or use gasoline or any other flammable vapors and liquids in the vicinity of this or any other ice maker. The fumes can create a fire hazard or explosion.</li></ul> <p style="text-align: center;">-save these instructions -</p>	

## INSTALLATION INSTRUCTIONS

### **Before Using Your Ice Maker**

- ? Remove the exterior and interior packing.
- ? Check to be sure you have all of the following parts:
  - ? 1 Ice Shovel
  - ? 1 Instruction Manual
- ? Before connecting the ice maker to the power source, let it stand upright for approximately 2 hours. This will reduce the possibility of a malfunction in the cooling system from handling during transportation.
- ? Clean the interior surface with lukewarm water using a soft cloth.

### **Installation Of Your Ice Maker**

- ? Locate the ice maker away from direct sunlight and sources of heat (stove, heater, radiator, etc.). Direct sunlight may affect the acrylic coating and heat sources may increase electrical consumption. Extreme cold ambient temperatures may also cause the ice maker not to perform properly.
- ? Plug the ice maker into an exclusive properly installed-grounded wall outlet. Do not under any circumstances cut or remove the third (ground) prong from the power cord. Any questions concerning power and or grounding should be directed toward a certified electrician or an authorized Avanti products service center.

### Electrical connection

#### **⚠ WARNING ⚠**

IMPROPER USE OF THE GROUNDED PLUG CAN RESULT IN THE RISK OF ELECTRICAL SHOCK. IF THE POWER CORD IS DAMAGED, HAVE IT REPLACED BY AN AUTHORIZED AVANTI PRODUCTS SERVICE CENTER.

- ? This ice maker should be properly grounded for your safety. The power cord of this ice maker is equipped with a three-prong plug which mates with standard three prong wall outlets to minimize the possibility of electrical shock.
- ? Do not under any circumstances cut or remove the third ground prong from the power cord supplied.
- ? Never use an extension cord to connect power to the unit.
- ? Never use a two-prong grounding adapter.
- ? Where a two-prong wall receptacle is encountered, contact a qualified electrician to have it replaced with a 3-prong receptacle in accordance with applicable electrical codes.
- ? This ice maker requires a standard 115/120 volts a.c.~/60hz electrical outlet with three-prong ground.
- ? The cord should be secured behind the ice maker and not left exposed or dangling to prevent accidental injury.

### Extension cord

Because of potential safety hazards under certain conditions, it is strongly recommended that you do not use an extension cord with this appliance. However, if you must use an extension cord it is absolutely necessary that it be a UL/CUL-listed, 3-wire grounding type appliance extension cord having a grounding type plug and outlet and that the electrical rating of the cord be 115 volts and at least 10 amperes.

## OPERATING YOUR ICE MAKER

### Control Panel Operation

#### **Start**

Press to turn unit on. This button is also used to start the ice making cycle.

#### **Stop**

Press to turn unit off.

#### **Select**

**ICE SIZE SELECTION** of (S) small, (M) medium or (L) large. (The chosen mode shall stay as selected unless changed or there is a power failure).

Please select the (S) when ambient temperature is below 15°C (59°F).

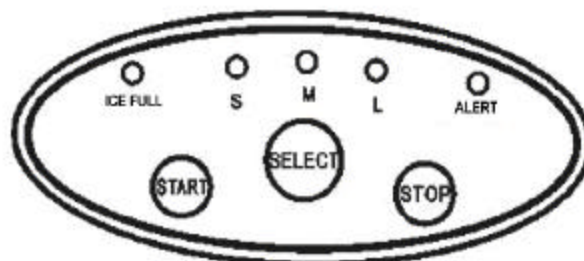
#### **Alert**

**ADD WATER INDICATOR.** The "Alert" light will come on with a beep sound. Add water and press "STOP" button and then press "START" button to restart the icemaker.

#### **Ice Full**

**ICE FULL INDICATOR.** This light will come on with a beep sound which indicates that the storage cabinet is full. Press the "STOP" button and remove the ice cubes then, press the "START" button to restart the Ice maker.

**IMPORTANT: YOU MUST PRESS "STOP". THEN THE "START" BUTTON TO RESTART THE ICE MAKER AFTER YOU ADD WATER OR REMOVE SOME OF THE ICE CUBES.**



## Operating Instructions

### Starting your Ice maker

- ? Open the lid and fill the reservoir with water. Make sure the water level in the reservoir is not over the Ice collecting tray.
- ? Press START button to turn unit on.
- ? Select desired ice cube size by pressing "ice size" selectors **S**, **M** and **L**.
- ? Check the water level in the reservoir periodically. The ice maker will detect any shortage of water and stop operating. The ALERT indicator will be lit. Press the STOP button and fill the reservoir with water. Wait 3 minutes after the ALERT light goes out and then press the START button. The Ice maker will begin operation.
- ? When the ice cubes are collected and reaches the bin sensor, the ice maker will stop operating and the ICE FULL indicator will be lit.
- ? There are three sizes of ice cubes available, therefore the larger the ice cube selected, the longer the time it will take to complete the cycle. When the ambient temperature is lower than 15°C (59°F), the small or medium ice cubes sizes are recommended to avoid ice cubes clumping together.
- ? For best performance, water temperature should be between 7°C (45°F) and 35°C (95°F) and ambient between 15°C (59°F) and 25°C (77°F).

## **CARE AND MAINTENANCE**

### Cleaning Your Ice Maker

- ? To ensure the cleanliness of the ice cubes, water in the reservoir should be replaced every 24 hours.
- ? If the compressor stops for any reason such as water shortage, too much Ice, power off, etc... Do not start the system right away, wait 3 minutes, and then re-start the Ice maker.
- ? Remove the drain plug to drain remaining water from the water reservoir when the ice maker will not be used for long period of time. Screw the drain plug back in place after the water has been drained.
- ? Always change with fresh water before starting ice production at initial installation or after long shut-off periods.
- ? Please clean your Ice maker regularly. When cleaning, unplug the unit and remove the ice cubes. Use a diluted solution of water and vinegar to clean the inside and the outside surface of the Ice maker. Do not spray Ice maker with chemicals or diluted agents such as acids, gasoline or oil. Rinse thoroughly before starting.

### Caution

**Failure to unplug the ice maker could result in electrical shock or personal injury.**

### Space Requirements

- ? During transportation, the incline angle of the cabinet should not be over 45°
- ? Do not turn the Ice maker upside down. Problems could occur in the compressor and sealed system.
- ? The Ice maker should be placed horizontally on a properly leveled surface.
- ? To ensure proper ventilation for your Ice maker allow 6" of space at the top, the back and on each side.
- ? Before using the Ice maker for the first time, please wait 2 hours after positioning it.
- ? Clean the inner liner, ice collecting tray, water box, ice shovel and evaporator frequently.

**IMPORTANT: Do not install the Ice maker near an oven, radiator, or other heat source.**



### ✎ Power Failure

Most power failures are corrected within a few hours and should not affect the temperature of your ice maker if you minimize the number of times the door is opened. If the power is going to be OFF for a longer period of time, you need to take the proper steps to disconnect your appliance.

## PROBLEMS WITH YOUR ICE MAKER ?

You can solve many common ice maker problems easily, saving you the cost of a possible service call. Try the suggestions below to see if you can solve the problem before calling the service.

### TROUBLESHOOTING GUIDE

Problem	Possible Cause	Suggested Solutions
The compressor works abnormally with a buzzing Noise.	The voltage is lower than Recommended.	Stop the ice maker and do not restart until the voltage is normal.
Water shortage indicator Light is on.	There is not enough water in the reservoir.	Press the stop button, fill with water, wait 3 minutes and press the start button to restart.
Ice full indicator light is on.	Ice storage cabinet is full to the top.	Remove some of the ice.
Indicator lights are off.	Blown fuse/ no power/blown breaker	Replace fuse / turn power on.
The ice made is too large and with pieces sticking together.	The water temperature in the storage tray or ambient is too low.	Stop the machine and reset the ice making cycle. Restart the machine after turning it off.
Conditions for ice making cycle are right but no ice is made.	Refrigerant leaks/ sealed system is blocked.	Replace unit.
Both alert and ice full indicators are on.	The water tray does not turn.	Check for blocked ice cubes .

### Service For Your Ice Maker

We are proud of our customer service organization and the network of professional service technicians that provide service on your Avanti ice maker. With the purchase of your Avanti ice maker, you can be confident that if you ever need additional information or assistance, the Avanti Products Customer Service team will be here for you. Just call us toll-free.

### Avanti Products Customer Services

Product information 800-323-5029	Whatever your questions are about our products, help is available.
Part orders 800-220-5570	You may order parts and accessories that will be delivered directly to your home, by personal check, money order, master card, or visa.
In-home repair service 800-220-5570	An Avanti Products authorized service center will provide expert repair service, scheduled at a time that is convenient for you. Our trained servicers know your ice maker inside and out.

<b>YOUR AVANTI PRODUCTS WARRANTY</b>	<b>Staple your sales receipt here. Proof of original purchase date is needed to obtain service under warranty.</b>
--	--

**What Is Covered**

**Limited One-Year  
Warranty**

For one year from the date of purchase by the original owner, Avanti Products will, at its option, repair or replace any part of the ice maker which proves to be defective in material or Workmanship under normal use. During this period Avanti Products will provide all parts and labor necessary to correct such defects free of charge, so long as the ice maker has been installed and operated in accordance with the written instructions in this manual. In rental or commercial use, the warranty period is 90 days. All Avanti appliances of 3.5 cubic feet capacity or less must be brought/sent to the appliance service shop for repair.

**Limited Second Through  
Fifth Year Warranty**

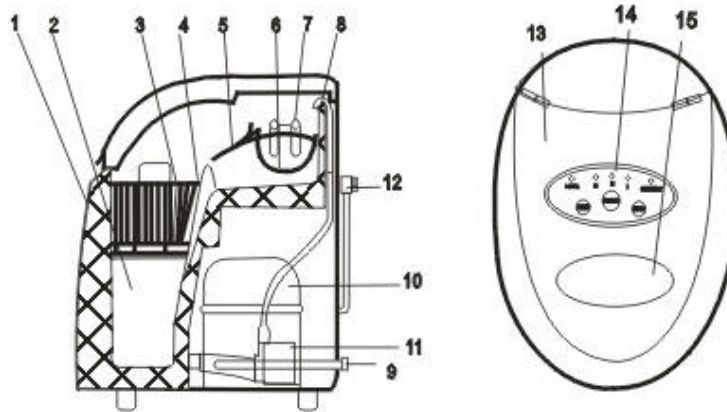
For the second through the fifth year from date of original purchase, Avanti Products will provide a replacement compressor free of charge due to a failure. You are responsible for the service labor and freight charges. In rental or commercial use, the limited compressor warranty is one year and nine months. Cost to move the ice maker to the servicers' shop and back to the user's home, as may be required, are the user's responsibility.

**WHAT IS NOT COVERED**

- ? Incidental or consequential damages.
- ? Parts and labor costs for the following will not be considered as warranty:
- ? Door springs and/or frames.
- ? Inner door panels and/or door supports.
- ? Chest ice maker lid liners.
- ? Plastic cabinet liners.
- ? Repairs performed by unauthorized servicers.
- ? Service calls that do not involve defects in material or workmanship such as customer education, door reversal, or proper installation.
- ? Service calls that are related to external problems, such as abuse, misuse, inadequate electrical power, accidents, fire, floods, or acts of god.
- ? Replacement of house fuses or resetting circuit breakers.
- ? Failure of the product if it is used for other than its intended purpose.
- ? This warranty does not apply outside the continental U.S.A.



## WIRING DIAGRAM

## INSTRUCCIONES EN ESPAÑOL



16. Cubierta interna
17. Depósito de agua
18. Bandeja de depósito de hielo
19. Censor para el compartimento de hielo: Lleno
20. Pala para sacar el hielo
21. Bandeja para el agua
22. Evaporador
23. Manguera de abastecimiento de agua
24. Tapón para desagüe
25. Compresor
26. Bomba de agua
27. Cable eléctrico
28. Tapa
29. Tablero de control
30. Ventanilla

## IMPORTANTE: INSTRUCCIONES DE SEGURIDAD

 <b>CUIDADO</b> 	Para reducir el riesgo de fuego, descarga eléctrica o daños personales mientras usa su aparato, siga estas precauciones básicas:
<ul style="list-style-type: none"><li>? Lea todas las instrucciones antes de usar su máquina de hacer hielo.</li><li>? <b>Peligro o Cuidado:</b> riesgo de que niños queden atrapados.</li><li>? Niños atrapados o muertos por asfixia no son una cosa del pasado. Aparatos abandonados o considerados chatarra todavía son peligrosos... aun cuando “estén en el garaje por unos días”.</li><li>? <b>Antes de deshacerse de su máquina de hacer hielo:</b> asegúrese de quitarle la tapa.</li><li>? Nunca deje que los niños operen, jueguen o gateen dentro del aparato .</li><li>? Nunca limpie las piezas de su máquina de hacer hielo con líquidos inflamables. Los gases pueden causar un incendio o una explosión.</li><li>? No almacene, ni use gasolina o algún otro líquido o gas inflamable cerca de esta o alguna otra máquina de hacer hielo. Los gases pueden causar un incendio o una explosión.</li></ul> <p style="text-align: center;">-Guarde estas instrucciones -</p>	

## INSTRUCCIONES DE INSTALACIÓN

### Antes de usar su máquina de hacer hielo

- ? Quite los empaques exteriores e interiores.
- ? Verifique y asegúrese de tener las piezas que se detallan a continuación:
  - ? 1 Pala de hielo
  - ? 1 Manual de instrucciones
- ? Antes de conectar su aparato a una fuente de electricidad, déjelo reposar de pie por dos horas aproximadamente. Esto reducirá las posibilidades de fallas en el funcionamiento del sistema de enfriamiento debido al movimiento durante el transporte.
- ? Limpie la superficie interior con agua tibia y un paño suave.

### Instalando su máquina de hacer hielo

- ? Ubique su aparato en un lugar donde los rayos del sol no caigan directamente y lejos de fuentes de calor (estufas, calentadores, radiadores, etc.). Los rayos del sol podrían afectar el recubrimiento acrílico y las fuentes de calor podrían incrementar el consumo eléctrico. Ambientes extremadamente fríos podrían causar que su aparato no funcione apropiadamente.
- ? Conecte su máquina de hacer hielo a un enchufe de pared (con conexión a tierra) y que sea exclusivo para este fin. Bajo ninguna circunstancia corte o quite el tercer punto (conexión a tierra) del cable eléctrico. Si tiene alguna pregunta respecto de la fuente eléctrica y/o la conexión a tierra, ésta deberá ser dirigida a un electricista certificado o a un centro de servicio autorizado de Avanti Products.



### ☞ Conexión Eléctrica

#### **⚠ CUIDADO ⚠**

EL USO INAPROPIADO DE LA CONEXIÓN A TIERRA INCREMENTARÁ EL RIESGO DE DESCARGA ELÉCTRICA. SI EL CABLE DE ELECTRICIDAD ESTÁ DAÑADO, HÁGALO REEMPLAZAR POR EN CENTRO DE SERVICIO DE AVANTI PRODUCTS????.

- ? La máquina de hacer hielo debe estar apropiadamente conectada a tierra por su seguridad. El enchufe del cable eléctrico de su aparato está equipado con tres puntos, éstos están diseñados para ser usados con los enchufes de pared estándar y reducir el riesgo de una descarga eléctrica.
- ? Bajo ninguna circunstancia corte o quite el tercer punto (conexión a tierra) del cable eléctrico.
- ? Nunca use un cable de extensión para conectar su aparato.
- ? Nunca use un adaptador de dos puntos.
- ? Si solo tiene enchufes de pared de dos puntos, contáctese con un electricista calificado para que lo reemplace por uno de tres puntos y que cumpla con lo establecido en el código de electricidad.
- ? Esta máquina de hacer hielo requiere un enchufe eléctrico estándar (115 v AC, 60 hz) apropiado, con conexión a tierra.
- ? El cable eléctrico deberá estar asegurado a la parte posterior de su aparato y no deberá que dar expuesto o colgando, para prevenir heridas accidentales.

### ☞ Cable de extensión

Debido a que, bajo ciertas circunstancias, existen peligros potenciales contra su seguridad, se recomienda no usar un cable de extensión con este aparato. Sin embargo, si por algún motivo tuviera la necesidad de usar uno, éste tendrá que ser: un cable de extensión para aparatos eléctricos, de tres cables, aprobado por UL/CUL, cuyo enchufe y salida tengan conexión a tierra, y que el cordón pueda conducir 115 voltios y no menos de 10 amperios.

## **PONIENDO EN FUNCIONAMIENTO SU MÁQUINA DE HACER HIELO**

### ☞ Uso del Panel de Control

#### **Inicio (Start)**

Presione este botón para encender. También se usa este botón para iniciar el ciclo de fabricación de hielo.

#### **Parar (Stop)**

Presione para este botón para apagar.

#### **Seleccionar (Select)**

**SELECCIÓN DEL TAMAÑO DEL HIELO.** Elija entre pequeño (**S**), mediano (**M**), y grande (**L**). (Este tamaño seleccionado permanecerá hasta que elija otro o por alguna falla en la fuente eléctrica).

Por favor seleccione "**S**" cuando la temperatura del ambiente esté por debajo de los 15°C (59°F).

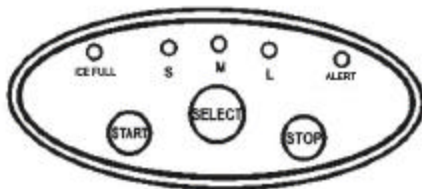
#### **Alerta (Alert)**

**INDICADOR DE FALTA DE AGUA.** La luz de esta alerta se encenderá y sonará un "bip". Añada agua y presione "STOP". Finalmente presione "START" para reiniciar la máquina.

#### **Carga de Hielo completa (Ice Full)**

**INDICADOR DE CARGA DE HIELO COMPLETA.** La luz de esta alarma se encenderá y sonará un "bip" indicando que el depósito de hielo está completamente lleno. Presione "STOP" y saque los cubos de hielo. Para reiniciar la máquina presione "START".

**IMPORTANTE:** ANTES DE AÑADIR AGUA O SACAR HIELO DEBERÁ PRESIONAR "STOP". DESPUÉS PRESIONE "START" PARA REINICIAR LA MÁQUINA.



## Instrucciones de Uso

### Comenzando a usar su máquina de hacer hielo

- ? Abra la tapa y llene el depósito con agua. Asegúrese que el nivel de agua no sea tal, que cubra la bandeja de depósito de hielo.
- ? Presione "START" para encender su unidad.
- ? Seleccione el tamaño deseado de cubos de hielo con el selector "ice size" (S, M o L).
- ? La máquina de hielo comenzará a funcionar.
- ? Verifique el nivel del agua en el depósito periódicamente. La máquina detectará la falta de agua y dejará de funcionar. El *indicador de alerta* "ALERT" se encenderá. Presione "STOP" y llene el depósito con agua. 3 minutos después que la luz de alerta "ALERT" se apague, presione "START". La máquina de hacer hielo comenzará a funcionar nuevamente.
- ? Cuando la cantidad de hielo producida llegue al sensor del depósito, la máquina dejará de funcionar y el indicador *carga de hielo completa* "ICE FULL" se encenderá.
- ? Existen tres tamaños de cubos de hielo para escoger, y por tanto, el tiempo para completar el ciclo dependerá del tamaño del cubo que elija (más grande, más tiempo). Cuando la temperatura de la habitación esté por debajo de los 15°C (59°F), se recomienda escoger los cubos pequeños "S" o medianos "M" (esto evitará que los cubos se peguen unos con otros).
- ? Para un mejor funcionamiento, la temperatura del agua debe estar entre los 7°C (45°F) y 35°C (95°F) y la de la habitación entre 15°C (59°F) y 25°C (77°F).

## CUIDADO Y MANTENIMIENTO

### ✍ Limpiando su máquina de hacer hielo

- ? Para asegurar una mayor limpieza en los cubos de hielo, el agua del depósito deberá cambiarse cada 24 horas.
- ? Si el compresor se detiene por motivos tales como falta de agua o mucho hielo, presionar el botón de apagado, etc., NO reinicie la máquina inmediatamente, espere tres minutos y luego podrá hacerlo.
- ? Deberá quitar el tapón de desagüe para sacar el agua restante del depósito cuando la máquina no vaya a producir hielo por un tiempo considerable. Atornille de vuelta el tapón de desagüe luego de haber sacado toda el agua.
- ? Siempre use agua fresca en su depósito, ya sea cuando produzca hielos por primera vez o luego de un período considerable en que la máquina no estuvo en funcionamiento.
- ? Por favor limpie su máquina con regularidad. Para hacerlo, desconéctela y saque todos los cubos de hielo. Use una solución de agua y vinagre (disuelto en ésta) para limpiar el interior y las superficies exteriores de su aparato. No utilice agentes químicos o diluyentes (tales como ácido, gasolina o aceite). Enjuague a fondo antes de poner en funcionamiento su máquina.

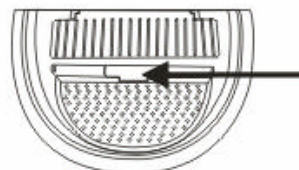
### Precaución

**Si no desconecta la máquina podría recibir una descarga eléctrica o daños personales.**

### ✍ Necesidades de espacio

- ? Mientras es transportado, el ángulo de inclinación del aparato no deberá ser mayor a 45°.
- ? No ponga la máquina de hacer hielo de cabeza. Esto podría causar problemas con el compresor y el sistema de sellado.
- ? La máquina de hacer hielo deberá ser ubicada en posición horizontal en una superficie nivelada.
- ? Para asegurarle una ventilación apropiada a su máquina, deje un espacio libre de 6" arriba, detrás y a cada lado de la misma.
- ? Antes de usar su aparato por primera vez, espere dos horas luego de haberlo instalado.
- ? Limpie frecuentemente estas piezas de su máquina: la cubierta interna, la bandeja recolectora de hielo, el depósito de agua, la pala del hielo y el evaporador.

**IMPORTANTE: No instale la máquina de hacer hielo cerca de un horno, radiador o alguna otra fuente de calor.**



### ✍ **Fallas en la fuente eléctrica**

La mayoría de fallas en la fuente eléctrica se corrigen en pocas horas y no afectarán la temperatura de su unidad, si minimiza el número de veces que abre su puerta. Si la falla no se corrige por un largo período, usted necesitará tomar las medidas apropiadas para desconectar su máquina.

### **¿PROBLEMAS CON SU MÁQUINA DE HACER HIELO?**

Usted puede resolver fácilmente problemas comunes de su máquina, ahorrándose el posible costo de una llamada de servicio. Inténtelo con estas sugerencias antes de llamar al servicio de mantenimiento.

### **GUÍA DE SOLUCIÓN DE PROBLEMAS**

<b>Problema</b>	<b>Causa Probable</b>	<b>Solución sugerida</b>
El compresor funciona mal y se escucha un zumbido.	El voltaje es más bajo que el recomendado.	Apague la máquina hasta que el voltaje vuelva a la normalidad.
La luz indicadora de falta de agua está encendida.	No hay suficiente agua en el depósito.	Presione "STOP", llene el depósito con agua, espere 3 minutos y presione "START" para reiniciar el ciclo.
El indicador de "carga de hielo completa" está encendido.	El depósito de hielo está completamente lleno.	Saque un poco de hielo.
Las luces indicadoras están apagadas.	Voló el fusible/no hay electricidad	Cambie el fusible/Encienda su máquina.
Los cubos de hielo son muy grandes y algunos se están pegando.	La temperatura del agua en la bandeja o la de la habitación es muy baja.	Apague la máquina y reajuste el ciclo de producción de hielo. Reinicie la máquina.
Las condiciones para la producción de hielo son correctas, pero no se produce hielo.	Existe fuga del refrigerante/el sistema de sellado está bloqueado.	Cambiar la unidad.
Las alertas de falta de agua y carga de hielo llena, están encendidas.	El depósito de agua está trabado.	Verifique que no existan cubos de hielo que lo bloqueen.

### **Servicio de mantenimiento para su producto**

Estamos orgullosos de la organización de nuestro servicio al cliente y de los técnicos profesionales que proveen servicio a su máquina de hacer hielos Avanti. Cuando compra un producto Avanti, usted puede estar seguro que si alguna vez necesita información o asistencia, el equipo de servicio al cliente de Avanti Products estará para ayudarlo. Llámenos de manera gratuita.

### **Servicio al cliente de Avanti Products**

Información de producto 800-323-5029	Cualquier sea su pregunta sobre nuestros productos, la ayuda está disponible.
Pedido de piezas 800-220-5570	Usted puede ordenar piezas y accesorios que serán enviados directamente a su casa con cargo a un cheque personal, órdenes de dinero, mastercard o visa.
Servicio de reparación a domicilio 800-220-5570	Un centro de servicio autorizado de Avanti Products le proveerá de un servicio de reparación experimentado, éste será programado a la hora que le sea más conveniente. Nuestro equipo de servicio está totalmente entrenado y conoce su unidad por dentro y fuera.

**PRINTED IN CHINA**

## Free Manuals Download Website

<http://myh66.com>

<http://usermanuals.us>

<http://www.somanuals.com>

<http://www.4manuals.cc>

<http://www.manual-lib.com>

<http://www.404manual.com>

<http://www.luxmanual.com>

<http://aubethermostatmanual.com>

Golf course search by state

<http://golfingnear.com>

Email search by domain

<http://emailbydomain.com>

Auto manuals search

<http://auto.somanuals.com>

TV manuals search

<http://tv.somanuals.com>