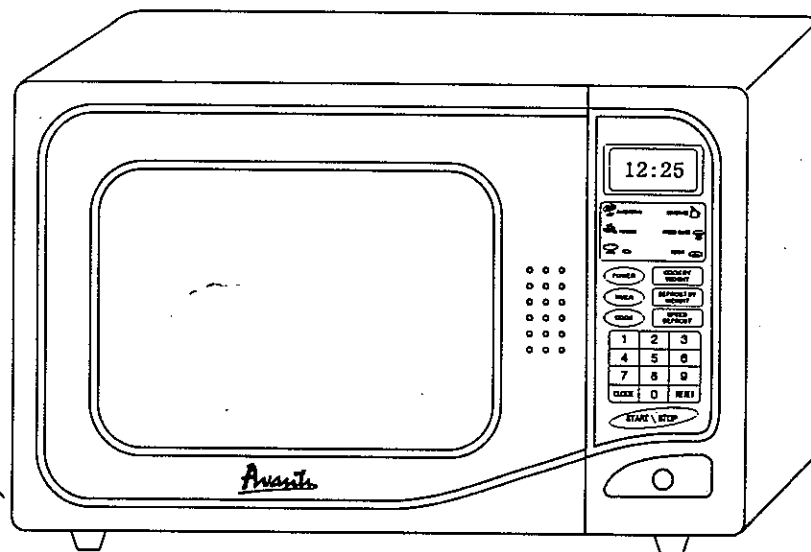


Avanti®

MICROWAVE OVEN INSTRUCTION MANUAL

Model Number:

MO649TW
MO649TB



CAUTION:

BEFORE USE, PLEASE READ AND FOLLOW ALL SAFETY RULES AND OPERATING INSTRUCTIONS.

Avanti has a policy of continuous improvement on its products and reserves the right to change materials and specifications without notice.

Avanti Products, A Division of The Mackle Co., Inc.
P.O. Box 520604 - Miami, Florida 33152
www.avantiproducts.com

Table of Contents

Registration Card	2
Help Us Help You	3
Parts and Features	4
Important Safety Instructions	5
Installation Instructions	6
Safety Precautions	6,7,8
Operating Your Appliance	9
Control Panel	9
Operation Procedure	10
Identifying The Oven Controls	11
Special Oven Features	11
How to Set the Oven Controls	12,13,14
Quick Cooking Settings	15,16
Care and Maintenance	17
Problems With Your Appliance	18
Service For Your Appliance	18
Your Warranty	19
Wiring Diagram	20

Warranty Information

Thank you for purchasing this fine Avanti product. Please fill out this card and return it within 100 days of purchase and receive these important benefits:

- **Confirm your warranty:**
Your prompt product registration confirms your right to the protection available under the terms and conditions of your Avanti warranty.
- **Protect your product:**
We will keep the model number and date of purchase of your new Avanti product on file to help you refer to this information in the event of an insurance claim such as fire or theft.
- **Promote better products:**
We value your input. Your response will help us develop products designed to best meet your future needs.

----- (detach here) -----

Avanti Registration Card

Name _____			Model # _____	Serial # _____
Address _____			Date Purchased _____	Store/Dealer Name _____
City _____	State _____	Zip _____	Occupation _____	
Area Code _____	Phone Number _____		As Your Primary Residence, Do You:	
Did You Purchase An Additional Warranty:			<input type="checkbox"/> Own <input type="checkbox"/> Rent	
<input type="checkbox"/> Extended <input type="checkbox"/> Food Loss <input type="checkbox"/> None			Your Age:	
Reason For Choosing This Avanti Product:			<input type="checkbox"/> under 18 <input type="checkbox"/> 18-25 <input type="checkbox"/> 26-30	
Please indicate the most important factors that influenced your decision to purchase this product.			<input type="checkbox"/> 31-35 <input type="checkbox"/> 36-50 <input type="checkbox"/> over 50	
<input type="checkbox"/> Price			Marital Status:	
<input type="checkbox"/> Product Features			<input type="checkbox"/> Married <input type="checkbox"/> Single	
<input type="checkbox"/> Avanti Reputation			Is This Product Used In The:	
<input type="checkbox"/> Product Quality			<input type="checkbox"/> Home <input type="checkbox"/> Business	
<input type="checkbox"/> Salesperson Recommendation			How Did You Learn About This	
<input type="checkbox"/> Friend/Relative Recommendation			Product:	
<input type="checkbox"/> Warranty			<input type="checkbox"/> Advertising <input type="checkbox"/> Product Features	
<input type="checkbox"/> Other _____			<input type="checkbox"/> In Store Demo <input type="checkbox"/> Personal Demo	
			<input type="checkbox"/> Other _____	
			Comments _____	

HELP US HELP YOU...

Read this guide carefully.

It is intended to help you operate and maintain your new appliance properly.

Keep it handy to answer your questions. If you don't understand something or your need more help, please call:

Avanti Customer Service
800-220-5570

Keep proof of original purchase date (such as your sales slip) with this guide to establish the warranty period.

Write down the model and serial numbers.

You'll find them on a plate located on the back of the appliance.

Please write these numbers here:

Date of Purchase

Model Number

Serial Number

Use these numbers in any correspondence or service calls concerning your appliance.

If you received a damaged appliance, immediately contact the dealer (or builder) that sold you the appliance.

Save time and money. Before you call for service, check the Troubleshooting Guide. It lists causes of minor operating problems that you can correct yourself.

IF YOU NEED SERVICE

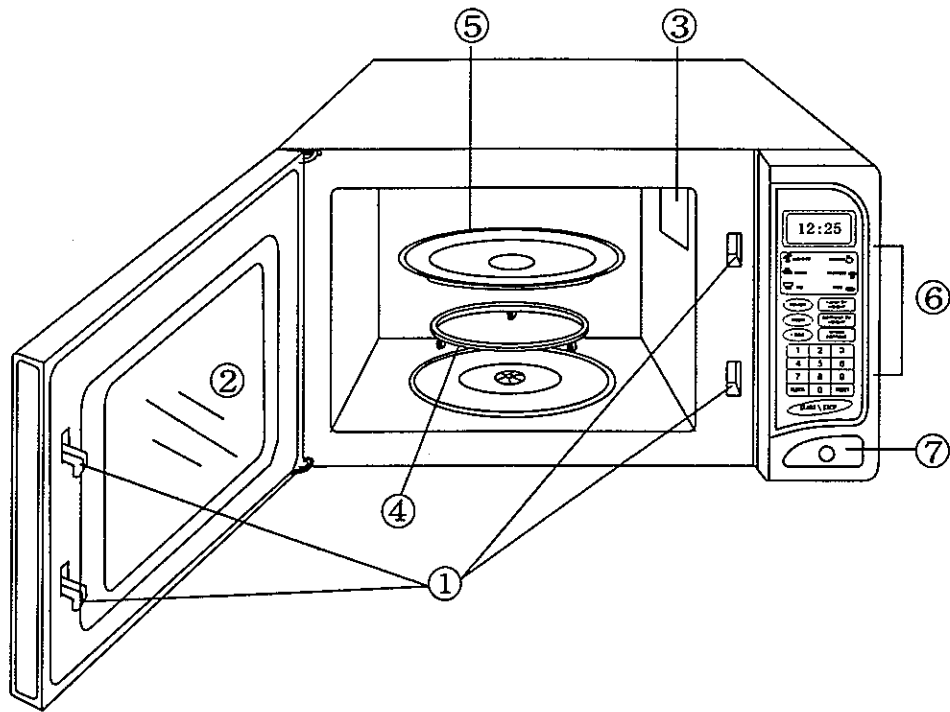
We're proud of our service and want you to be pleased. If for some reason you are not happy with the service you receive, here are some steps to follow for further help.

FIRST, contact the people who serviced your appliance. Explain why you are not pleased. In most cases, this will solve the problem.

NEXT, if you are still not pleased, write all the details, including your telephone number, and send to:

Customer Service
Avanti Products
10880 NW 30 Street
Miami, FL 33172

PARTS AND FEATURES



1. Door Safety Lock System
2. Oven Window
3. Oven Air Vent
4. Roller Ring
5. Glass Tray
6. Control Panel
7. Door Release Button

Important Safety Instructions



To reduce the risk of fire, electrical shock, or injury when using your appliance, follow these basic precautions:

- Read all instructions before using the appliance.
- Some products such as whole eggs and sealed containers (for example, closed glass jars) may explode and should not be heated in microwave oven.
- Use this microwave oven only for its intended use as described in this manual.
- Do not use corrosive chemicals or vapors in this appliance. This type of oven is specifically designed to heat, cook, or dry food. It is not designed for industrial or laboratory use.
- As with any appliance, close supervision is necessary when used by children.
- Do not operate this microwave oven if it has a damaged cord or plug, if it is not working properly, or if it has been damaged or dropped.
- To reduce the risk of fire in the oven cavity:
 - Do not overcook food. Carefully attend microwave oven if paper, plastic, or combustible materials are placed inside the oven to facilitate cooking.
 - Remove wire twist-ties from bags before placing bag in oven.
 - If materials inside the oven should ignite, keep oven door closed, turn oven off at the wall switch, or shut off power at the fuse or circuit breaker panel.
 - Do not use the cavity for storage purposes. Do not leave paper products, cooking utensils, or food in the cavity when not in use.
- Only qualified service personnel should service this appliance. Contact the nearest authorized service facility for examination, repair or adjustment.
- Do not cover or block any openings on this appliance.
- Do not use this microwave oven to heat corrosive chemicals (for example, sulfides and chlorides). Vapors from such corrosive chemicals may interact with the contact and springs of the safety interlock switches thereby rendering them inoperable.
- Do not immerse cord or plug in water.
- Keep cord away from heated surfaces.
- Do not let cord hang over edge of table or counter.
- Never clean appliance parts with flammable fluids. The fumes can create a fire hazard or explosion.
- Do not store or use gasoline or any other flammable vapors and liquids in the vicinity of this or any other appliance. The fumes can create a fire hazard or explosion.

-Save these instructions-

INSTALLATION INSTRUCTIONS

> Before Using Your Appliance

- Remove the exterior and interior packing.
- Check to be sure you have all of the following parts:
 - Glass Tray
 - Roller Ring
 - Instruction Manual
- Inspect the oven after unpacking for any visual damage such as:
 - Misaligned door
 - Damaged door
 - Dents or holes in door window and screen
 - Dents in cavity

If any of the above are visible, DO NOT use the oven.

> Installation of Your Appliance

- When positioning the microwave oven, it should be set on a flat, steady surface.
- Do not block air vents. If they are blocked during operation, the oven may overheat and eventually cause oven failure.
- Poor television reception and radio interference may result if the oven is located close to a TV, radio, antenna, or antenna wire. Position the oven as far from them as possible.
- Clean the interior surface with lukewarm water using a soft cloth.
- Keep the oven away from hot air, steam or splashing liquids when choosing a place to locate it, otherwise the unit's operation may be adversely affected, causing it to break down.
- Direct sunlight may affect the acrylic coating and heat sources may increase electrical consumption.
- Plug the appliance into an exclusive properly installed-grounded wall outlet. Do not under any circumstances cut or remove the third (ground) prong from the power cord. Any questions concerning power and or grounding should be directed toward a certified electrician or an authorized Avanti Products service center.
- DO NOT place anything on the top of the oven.
- Keep the oven at least 5 inches away from both sidewalls and away from rear wall to ensure the proper ventilation.
- DO NOT remove the turn-table drive shaft.

SAFETY PRECAUTIONS

> General Use

- Do NOT attempt to tamper with or make any adjustments or repairs to door, control panel or any other part of the oven. Do NOT remove outer enclosure from oven. Repairs should only be done by qualified service personnel.
- Do NOT operate the oven empty. The microwave energy will reflect continuously throughout the oven if no food or water is present to absorb energy.
- Disconnect the power cord, or shut off power at the fuse or circuit breaker panel.
- Do NOT attempt to dry clothes, newspapers or other materials in oven. They may catch on fire.
- Do NOT use recycled paper products, as they may contain impurities, which may cause sparks and/or fires when used.
- Do NOT hit or strike control panel. Damage to controls may occur.

➤ **Utensils**

- METAL CONTAINERS or dishes with metallic rims should not be used. Arcing may occur.
- METAL TWIST-TIES may not be used in the microwave oven.
- Do NOT use SEALED JARS or NARROW NECK bottles for cooking or reheating. They may shatter.
- Do NOT use CONVENTIONAL THERMOMETERS in the microwave oven. They may explode.
- Remove PLASTIC STORE WRAPS before cooking or defrosting in the oven.

➤ **Food**

- Never use your microwave oven for HOME CANNING. The oven is not designed to permit proper canning. Improperly canned food may spoil and be dangerous to consume.
- COOKING TIMES are approximate. Factors that may affect cooking are starting temperature, altitude, volume, size and shape of food and utensils used. As you become familiar with the oven, you will be able to adjust for these factors.
- It is better to UNDERCOOK RATHER THAN OVERCOOK foods. If food is undercooked, it can always be returned to the oven for further cooking. If food is overcooked, nothing can be done. Always start with minimum cooking times.
- SMALL QUANTITIES of food or foods with LOW MOISTURE content can burn, dry out or catch on fire if cooked too long.
- Do NOT boil eggs in their shell. Pressure may build up and the eggs will explode.
- Potatoes, apples, egg yolks, whole acorn squash and sausage are examples of food with NONPOROUS SKINS. These must be pierced before cooking to prevent bursting.
- POPCORN must be popped in a microwave corn popper. Microwave popped corn produces a lower yield than conventional popping. DO not use oven for popcorn unless popped in a microwave approved popcorn utensil or unless it's commercially packaged and recommended especially for microwave ovens. Do not use oil unless specified by the manufacturer.
- Do NOT attempt to deep fat fry in your oven.
- HEATED LIQUIDS can ERUPT if not mixed with air. Do not heat liquids in your microwave oven without first stirring.

➤ **Electrical Connection**

This appliance must be grounded. In the event of an electrical short circuit, grounding reduces the risk of electrical shock by providing an escape wire for the electric current. This appliance is equipped with a cord having a grounding wire with a grounding plug. The plug must be inserted into an outlet that is properly installed and grounded.

⚡ Warning ⚡

Improper use of the grounded plug can result in the risk of electrical shock. Consult a qualified electrician or service person if the grounding instructions are not completely understood, or if doubt exists as to whether the appliance is properly grounded.

The power cord of this appliance is equipped with a three-prong plug which mates with standard three-prong wall outlets to minimize the possibility of electrical shock.

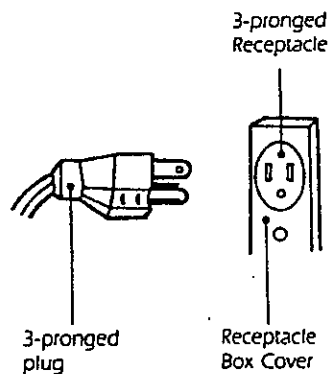
Do not under any circumstances cut or remove the third ground prong from the power cord supplied.

Use of extension cords is not recommended.

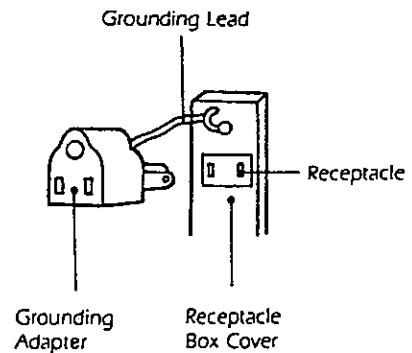
This appliance requires a standard 115/120 volt, 60Hz electrical outlet with three-prong ground.

The cord should be secured behind the appliance and not left exposed or dangling to prevent accidental injury.

When using a 3-pronged plug



When using a grounding adapter, make sure the receptacle box is fully grounded



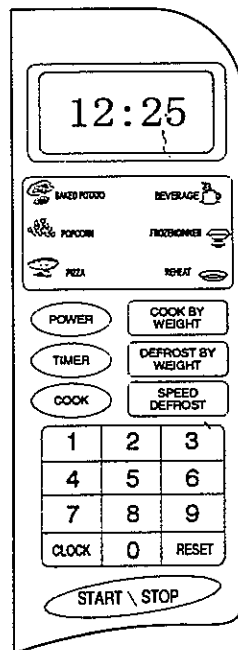
OPERATING YOUR APPLIANCE

Although your oven is provided with safety features, it is important to observe the following:

- It is important not to defeat or tamper with safety interlocks.
- Do not place any object between the oven front face and the door or allow residue to accumulate on sealing surfaces. Wipe the sealing area frequently with a mild detergent, rinse and wipe dry. Never use abrasive powders or pads.
- When opened, the door must not be subjected to strain, for example, a child hanging on an opened door or any load which could cause the oven to fall forward and cause injury and damage the door. Do not operate the oven if it is damaged, until it has been repaired by a qualified service person. It is particularly important that the oven closes properly and that there is no damage to the:
 - Door (bent).
 - Hinges and latches (broken or loosened).
 - Door seals and sealing surfaces.
- The oven should not be adjusted or repaired by anyone except properly qualified service personnel.

➤ CONTROL PANEL

Follow the applicable instructions for operation and control, which are given in "HOW TO SET THE OVEN CONTROLS"



FEATURES

CLOCK / RESET
COOK BY WEIGHT
DEFROST BY WEIGHT
SPEED DEFROST
POWER LEVEL OPTION

SPECIAL FEATURES

MINUTE TIMER
AUTO REMINDER
CHILD PROOF LOCK

QUICK COOKING
BAKED POTATO
BEVERAGE
POPCORN
FROZEN DINNER
PIZZA
REHEAT

➤ **OPERATION PROCEDURE**

- **Plug the power supply cord into a standard 3-pronged 15 Amp, 120v AC 60 Hz**
 - **After placing the food in a suitable container, open the oven door and put it on the glass tray. The glass tray and roller guide must always be in place during cooking,**
 - **Shut the door. Make sure that it is firmly closed.**
1. The light is not on.
 2. The oven door can be opened at any time during operation by pressing the door release button on the control panel. The oven will automatically shut off. To restart the oven, close the door and then touch START \ STOP.
 3. Each time a pad is touched, a BEEP will sound to acknowledge the touch. One of the function pads must be touched before the number pads. Therefore, no beep will sound if the numeral pad is touched before the function pad.
 4. The oven automatically cooks on high power and defrosts on low power.
 5. Time of day clock returns to the present time when the oven turns off.
 6. When the RESET pad is touched during the oven operation, the oven stops cooking. If the oven door is opened during the oven operation, all information is retained.
 7. If the START \ STOP pad is touched and the oven does not operate, check the area between the door and door seal for obstructions and make sure the door is closed securely. The oven will not start cooking until the door is completely closed and the program has been set.

IDENTIFYING THE OVEN CONTROLS

- **BAKED POTATO BEVERAGE POPCORN FROZEN DINNER PIZZA REHEAT**
 - Quick cooking allows you to reheat or cook food automatically without entering power level or time.
- **POWER**
 - Use to set power level.
- **COOK BY WEIGHT**
 - Touch to enter weight of meat accurately. The oven automatically sets the cooking time and power level.
- **TIMER**
 - You can use the TIMER function independently, even while a cooking program is going on in the oven.
- **DEFROST BY WEIGHT**
 - Touch to set the weight of the food to be defrosted; the oven automatically sets the defrosting time and power level.
- **COOK**
 - Cook at one power level for a period of time, the oven automatically switch to another power level for the rest of cooking time.
- **SPEED DEFROST**
 - Touch to set defrosting time; the oven automatically divides the defrosting time into periods of alternating defrost and stand times by cycling on and off.
- **NUMBER PADS(0-9)**
 - Touch to set times or amounts.
- **CLOCK**
 - Touch to set the clock.
- **RESET**
 - Clears all previous settings if touched before cooking starts.
- **START/STOP**
 - Touch to start or stop cooking.

SPECIAL OVEN FEATURES

- **AUTO REMINDER**
 - After a DEFROST or COOK PROGRAM has completed, the oven will automatically continue to sound three beeps every two minutes until the oven door is opened or the RESET pad is touched.
- **CHILD PROOF LOCK**
 - Use to prevent unsupervised operation of the oven by small children. The CHILD PROOF LOCK indicator will be light in the display and the oven cannot be operated while the CHILD PROOF LOCK is set.

HOW TO SET THE OVEN CONTROLS

➤ BEEPS DURING OVEN SETTINGS

- ONE BEEP: Oven accepts the entry.
- TWO BEEPS: Oven does not accept the entry, check and try again.

➤ SETTING THE CLOCK

1. Touch CLOCK pad.
2. Use the number pads to enter the correct time. You must touch at least three numbers to set the clock (one for hour and two for minutes).
3. Touch CLOCK pad again.

NOTE:

- This is a 12 hour clock. When the oven is first plugged in or when power resumes after a power interruption, the display will show ENTER CLOCK TIME, if you prefer to not have the clock displayed, touch RESET pad. You can check the clock time while cooking is in progress by touching the CLOCK pad.

➤ SETTING THE OVEN TIMER

1. Touch TIMER pad.
2. Enter the amount of time you want to count down by touching the number pads. Digit time is in minutes and seconds and set left to right. Set one digit (a 5 for 5 seconds) or up to four digits (2405 for 24 minutes, 5 seconds).
3. Touch START/STOP pad.

NOTE:

- Time countdown can be seen in display for 3 seconds before clock or cooking time is returned to display.
- Touch TIMER and then touch RESET to cancel TIMER during timing process.

➤ SETTING COOKING TIMES AND POWER LEVELS

A. One-stage Cooking

1. Use the number pads to set a cooking time. You can set a cooking time from one second to 99 minutes and 59 seconds. If you are setting a time greater than one minute, you must enter numbers for both minutes and seconds. For example, to set 20 minutes, enter 2,0,0,0.
2. If you want to set a power level other than 100% power, touch POWER, then use the number pads to enter the power level. You can set the power level from 1 to 9.
3. Touch START/STOP to start cooking.

Number pad	% of Power
9	90%
8	80%
7	70%
6	60%
5	50%
4	40%
3	30%
2	20%
1	10%

B. Two-stage Cooking

Some recipes require different stages of cooking at different temperatures.

1. SET STAGE 1:

Follow steps 1 and 2 in "One-stage Cooking"

DO NOT TOUCH START/STOP PAD.

2. SET STAGE 2:

Touch COOK pad then enter proper cooking time and (lower) power level.
(Most 2-stage recipes use lower power for second stage.)

3. Touch START/STOP pad.

NOTE:

- After stage 1 time has elapsed, two beeps sound, signaling the beginning of stage. After total time has elapsed, 4 beeps sound and END appears in display. Touch RESET pad or open oven door to clear END before starting another cooking function.

> SETTING "SPEED DEFROST"

1. Touch SPEED DEFROST pad.

2. Enter desired defrosting time by touching correct number pads. Digital timer sets minutes and seconds from left to right so a single digit can be set (5 for 5 seconds) or up to 4 digits (2405 for 24 minutes 5 seconds).

3. Touch START/STOP pad.

NOTE:

- After time has elapsed four beeps sound and END appears in display. Touch RESET pad or open door to clear END before starting another cooking function.
- After setting SPEED DEFROST, oven can be programmed to automatically switch to one or two-Stage cooking.

A. For speed defrost and one stage cooking, follow steps above. Before touching START/STOP pad, touch COOK pad, enter time and power level. Then touch START/STOP pad.

B. For speed defrost and two stage cooking, follow steps above. Before touching START/ STOP pad, enter two-stage cooking programs.

> SETTING "COOK BY WEIGHT"

1. Touch COOK BY WEIGHT pad.

2. Enter the one-digit code by touching the correct number pad.

3. Enter weight.

4. Touch START/STOP PAD.

NOTE:

- Your microwave oven makes cooking easy. You set the type and weight of food, and the oven automatically sets the cooking time and power level.

"COOK BY WEIGHT" CODE DESCRIPTIONS		
CODE	TYPE	MAX WEIGHT
1	Beef	5 lb.
2	Mutton	5 lb.
3	Pork	5 lb.

- Meat must be defrosted and at refrigerated temperature.
- Weight must be in pounds and ounces.
Ounce weights less than 10 must be preceded by a 0. If label gives weight in pounds only, change the fraction of a pound to unces using the following chart.

CONVERTING FRACTIONS OF A POUND TO OUNCES	
FRACTIONS OF A POUND	OUNCES
Less than .03	0
.03 to .09	1
.10 to .15	2
.16 to .21	3
.22 to .27	4
.28 to .34	5
.35 to .40	6
.41 to .46	7
.47 to .53	8
.54 to .59	9
.60 to .65	10
.66 to .71	11
.72 to .78	12
.79 to .84	13
.85 to .90	14
.91 to .97	15
above .97	go to next even

- Turn meat over when oven beep twice. Touch START/STOP to resume cooking.
- After total cooking time, 4 beeps sound and END appears in display. Touch RESET or open oven door to clear END before starting another cooking function. Let meat stand few minutes before carving.

➤ **SETTING “DEFROST BY WEIGHT”**

1. Touch DEFROST BY WEIGHT pad.
2. Enter weight.
3. Touch START/STOP pad.

NOTE:

- Weight must be in pounds and ounces. Ounce weights less than 10 must be preceded by a 0. If label gives weight in pounds only, change the fraction of a pound to ounces using the chart on this page.
- Turn food over when oven beep twice. Touch START/STOP pad to resume defrosting.
- After total defrosting time, 4 beeps sound and END appears in display. Touch RESET or open oven door to clear END before starting another cooking function.

➤ **SETTING “SAFETY LOCK”**

- The safety lock prevents unsupervised operation by little children.
- To set, press and hold RESET pad for 3 seconds, LOCK indicator lights.
- To cancel, press and hold RESET pad for 3 seconds, LOCK indicator goes off.

➤ **TO STOP THE OVEN WHILE THE OVEN IS OPERATING**

1. Touch START/STOP pad.
 - You can restart the oven by touching START/STOP pad.
 - Touch RESET to erase all instructions.
2. Open the door.
 - You can restart the oven by closing the door and touching START/STOP pad.

NOTE:

- Oven stops operating when door is opened.

QUICK COOKING SETTINGS

“ QUICK COOKING ” allows you to cook or reheat food automatically without entering power level or time. When setting “ Quick Cooking ”, check visual guide on pad for correct setting. Six “Quick Cooking ” settings allow you to cook several amounts of the same food. After you touch these pads, ENTER AMT appears in the display.

In each “quick cooking ” category, smaller size food is set by touching pad once. One dot (•) below picture of smaller-size food signifies one touch of the pad. The large size can be set by touching the picture pad twice. Two dots (• •) below the picture of large size food signifies two touches of the pad.

➤ SETTING “POPCORN”

1. Touch POPCORN pad.
CODE and 2:50 (2 min. 50 sec.) appears in the display.
POPCORN automatically sets the cooking time for a 3 to 3 1/2 oz. bag of microwave popcorn.
2. Touch START / STOP pad.

NOTE:

- To reset POPCORN time : Press POPCORN pad twice. ENTER TIME appears in display. Touch number pads to enter minutes and seconds. Touch START / STOP pad. This new cookin time will remain whenever you touch the POPCORN pad until you reset it.

➤ SETTING “BAKED POTATO”

For 4 to 6 oz. potatoes:

1. Touch POTATO pad once.
2. Enter number of potatoes by touching number pads from 1 to 4. Cooking times for small-medium potatoes are as follows:

1 potato:	4 min.	20 sec.
2 potatoes:	8 min.	10 sec.
3 potatoes:	12 min.	00 sec.
4 potatoes:	16 min.	00 sec.

3. Touch START / STOP pad.

For the large 8 to 10 oz. potatoes:

1. Press POTATO pad twice.
2. Enter number of potatoes by touching number pads from 1 to 4. Cooking times for large potatoes are as follows:

1 potato:	6 min.	25 sec.
2 potatoes:	12 min.	00 sec.
3 potatoes:	17 min.	00 sec.
4 potatoes:	22 min.	00 sec.

3. Touch START / STOP pad.

➤ SETTING “PIZZA”

Reheating a slice (or two thin ones) of leftover pizza:

1. Touch PIZZA pad once. CODE and 1:20 (1 min. 20 sec.) appears.
2. Touch START / STOP pad.

Heating a whole frozen pizza:

1. Tap PIZZA pad twice. CODE and 6:30 (6 min. 30 sec.) appears.
2. Touch START / STOP pad.

➤ SETTING “BEVERAGE”

For 5 to 7 oz. coffee cups:

1. Touch BEVERAGE pad once.

2. Enter number of cups by touching number pads from 1 to 4. Cooking times for coffee cups are as follows:

1	cup:	1 min.	30 sec.
2	cups:	2 min.	50 sec.
3	cups:	4 min.	10 sec.
4	cups:	5 min.	30 sec.

3. Touch START / STOP pad.

For the larger 10 to 12 oz. coffee mugs:

1. Tap BEVERAGE pad twice.
2. Enter number of mugs by touching number pads from 1 to 4. Cooking times for coffee mugs are as follows:

1	mug:	2 min.	40 sec.
2	mugs:	4 min.	30 sec.
3	mugs:	6 min.	20 sec.
4	mugs:	8 min.	10 sec.

3. Touch START / STOP pad.

➤ **SETTING "FROZEN DINNER"**

Microwaving one or two small (7-9 oz.) frozen dinner:

1. Touch FROZEN DINNER pad once.
2. For 1 entree, just touch START / STOP.
For 2 entrees, touch the number pad "2". Cooking times for small-size entrees are as follows:

1	entree:	5 min.	55 sec.
2	entrees:	11 min.	00 sec.

3. Touch START / STOP pad.

Microwaving one large (10-12 oz.) frozen dinner:

1. Tap FROZEN DINNER pad once.
2. For 1 entree, just touch START / STOP.
For 2 entrees, touch the number pad "2". Cooking times for large entrees are as follows:

1	entree:	12 min.	00 sec.
2	entrees:	20 min.	00 sec.

3. Touch START / STOP pad.

➤ **SETTING "REHEAT"**

1. Touch REHEAT pad. CODE and 4:10 (4 min. 10 sec.) appears.
2. Touch START / STOP pad.

NOTE:

This setting lets you reheat a dinner plate of chilled leftovers with good results.

CARE AND MAINTENANCE

➤ Cleaning Your Appliance

- Turn the oven off and remove the power plug from the wall socket before cleaning.
- Keep the inside of the oven clean. When food splatters or spilled liquids adhere to oven walls, wipe with a damp cloth. Mild detergent may be used if the oven gets very dirty. The use of harsh detergent or abrasives is not recommended.
- The outside oven surfaces should be cleaned with a damp cloth. To prevent damage to the operating parts inside the oven, water should not be allowed to seep into the ventilation openings.
- Do not allow the control panel to become wet. Clean with a soft, damp cloth. Do not use detergents, abrasives or spray-on cleaners on the control Panel. When cleaning the control Panel, leave oven door open to prevent oven from accidentally turning on.
- If steam accumulates inside or around the outside of the oven door, wipe with a soft cloth. This may occur when the microwave oven is operated under high humidity conditions and in no way indicates malfunction of the unit.
- It is occasionally necessary to remove the glass tray for cleaning. Wash the tray in warm sudsy water or in a dishwasher.
- The roller ring and oven cavity floor should be cleaned regularly to avoid excessive noise. Simply wipe the bottom surface of the oven with mild detergent, water or window cleaner and dry. The roller ring may be washed in mild sudsy water or dishwasher. Cooking vapors collect during repeated use but in no way affect the bottom surface or roller ring wheels. When removing the roller ring from cavity floor for cleaning, be sure to replace it in the proper position.
- Remove odors from your oven by combining a cup of water with the juice and skin of one lemon in a deep microwavable bowl. Microwave for 5 minutes. Wipe thoroughly and dry with a soft cloth.
- When it becomes necessary to replace the oven light, please consult a dealer to have it replaced.

PROBLEMS WITH YOUR APPLIANCE

You can solve many common appliance problems easily, saving you the cost of a possible service call. Try the suggestions below to see if you can solve the problem before calling the servicer.

TROUBLESHOOTING GUIDE

PROBLEM	POSSIBLE CAUSE
Appliance does not operate.	Not plugged in. The circuit breaker tripped or blown fuse. The door is not closed properly.
The light does not work.	The home circuit breaker or fuse has tripped. The appliance is unplugged.
Vibrations.	Check to assure that the appliance is level.

SERVICE FOR YOUR APPLIANCE

We are proud of our customer service organization and the network of professional service technicians that provide service on your Avanti appliances. With the purchase of your Avanti appliance, you can have the confidence that if you ever need additional information or assistance, the Avanti Products Customer Service team will be here for you. Just call us toll-free.

AVANTI PRODUCTS CUSTOMER SERVICES

Product Information 800-323-5029	Whatever your questions are about our products, help is available.
Part Orders 800-220-5570	You may order parts and accessories that will be delivered directly to your home. You may order these items by personal check, money order, Master Card, or Visa.
In-Home Repair Service 800-220-5570	An Avanti Products authorized service center will provide expert repair service, scheduled at a time that is convenient for you. Our trained servicers know your appliance inside and out.

Avanti Microwave Ovens Limited Warranty

LIMITED ONE-YEAR WARRANTY

Avanti Products will repair or replace, without charge, any part of you product, which proves to be defective in material or workmanship under normal use during the first year after the date of original purchase by a consumer. This warranty is good for the original purchaser during the warranty period and applies only in the continental United States. Transportation of this product to and from the designated service facility is the responsibility of the consumer.

LIMITED TWO-YEAR WARRANTY

During the second year of use, Avanti Products will furnish, as needed, a replacement part in exchange for any part, which fails due to a defect in material or workmanship. All labor and transportation charges are the responsibility of the owner.

LIMITED SEVEN-YEAR WARRANTY-MAGNETRON TUBE

For an additional 6-year period beyond the first year of the general coverage of this warranty, Avanti Products will replace a magnetron tube, which fails due to a defect in material or workmanship. The consumer will be responsible for all labor, service charge and transportation. This warranty is good for the original purchaser during the warranty period and applies only in the continental United States.

Implied warranties of the merchantability or, to the extent applicable, fitness for a particular purpose, are limited in duration to seven years, the same duration as the basic limited warranty provided hereby. Some states do not allow limitations on how long an implied warranty may last. So, this limitation may not apply to you.

Avanti Products shall not be liable for any food loss or for any other incidental or consequential damages not for any special damages or any further loss which may arise in connection with its warranted appliance or any claims under this warranty. Some states do not allow the exclusion or limitation of incidental or consequential damages. So the above exclusion or limitation may not apply to you.

To obtain service under this warranty, contact any of the Avanti Products service centers. A list of the service centers can be obtained from your dealer or from Avanti Products, 10880 N.W. 30th Street, Miami, FI 33172. The user must keep a copy of the bill of sale verifying the purchase date to validate the warranty.

THE ABOVE WARRANTIES DO NOT APPLY

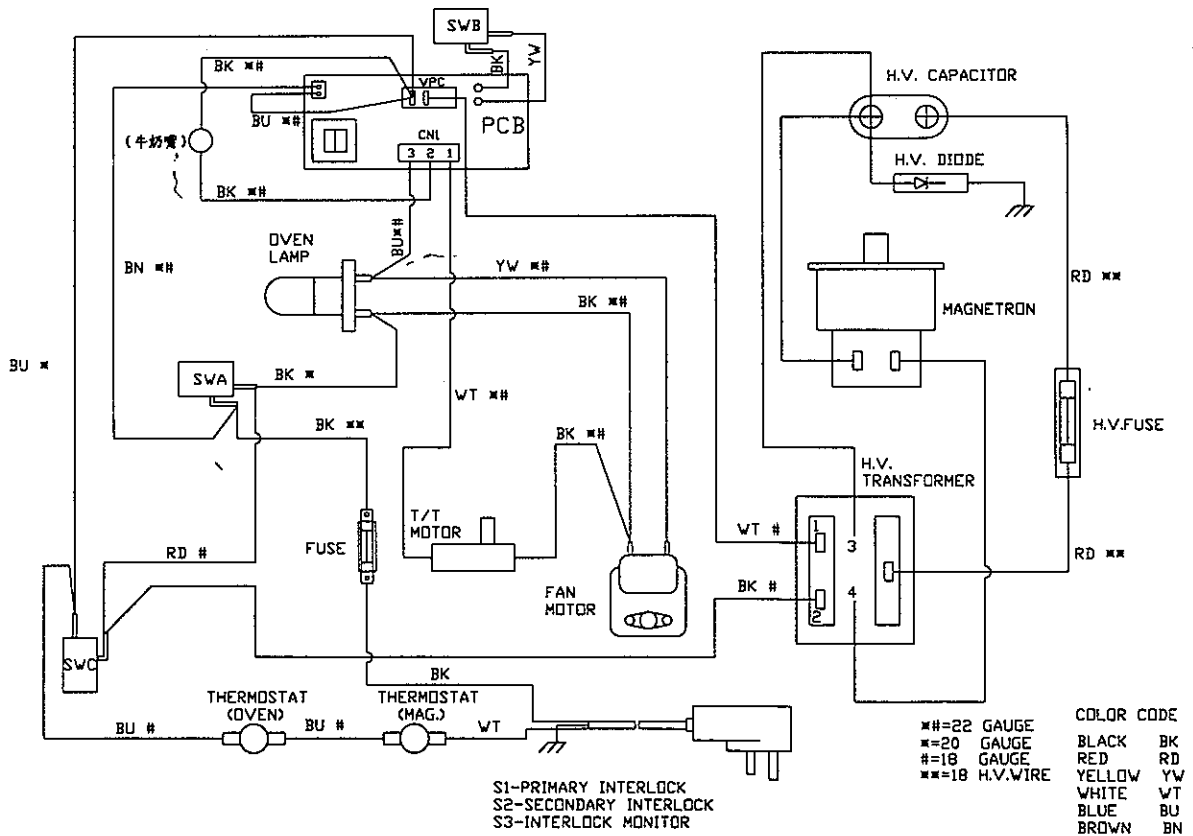
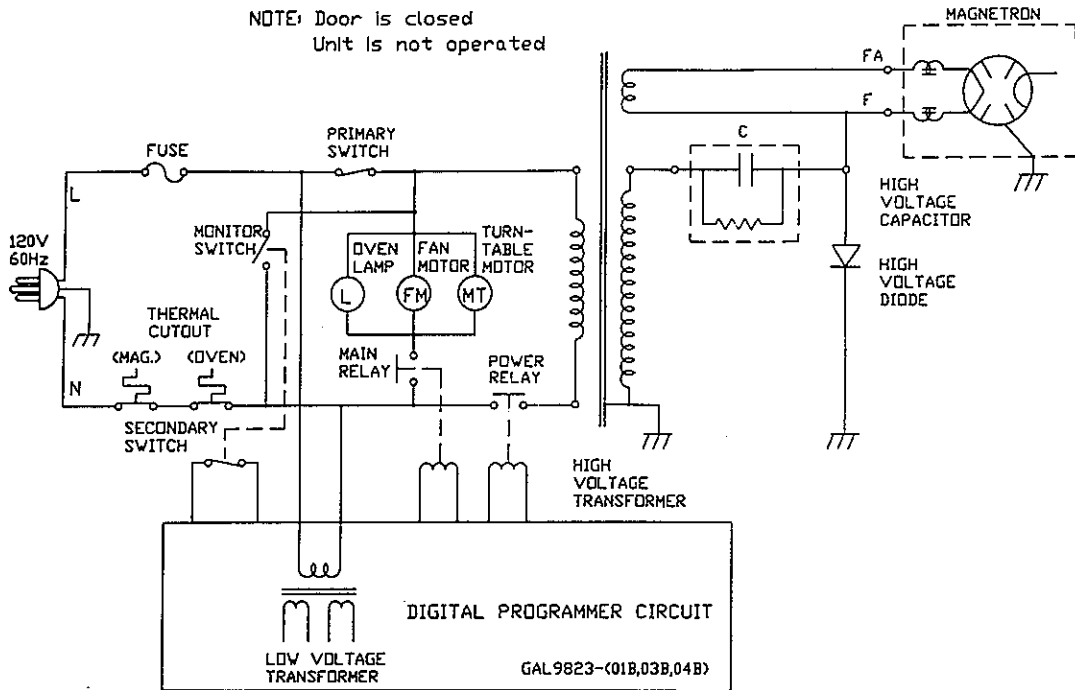
1. To damages or problems, which result from improper installation or delivery.
2. To damages or problems, which result from misuse, abuse, accident, alteration, or incorrect electrical current or voltage.
3. To service calls. (Unit must be brought or shipped to and from applicable service centers)
4. To any other product used for anything other than normal private household use.
5. To light bulbs.

This warranty gives you specific legal rights, and you may also have other rights, which vary from state to state.

AVANTI PRODUCTS, A DIVISION OF THE MACKLE CO., INC.
P.O. BOX 520604 – MIAMI, FLORIDA 33172

WIRING DIAGRAM

NOTE: Door is closed
Unit is not operated



Free Manuals Download Website

<http://myh66.com>

<http://usermanuals.us>

<http://www.somanuals.com>

<http://www.4manuals.cc>

<http://www.manual-lib.com>

<http://www.404manual.com>

<http://www.luxmanual.com>

<http://aubethermostatmanual.com>

Golf course search by state

<http://golfingnear.com>

Email search by domain

<http://emailbydomain.com>

Auto manuals search

<http://auto.somanuals.com>

TV manuals search

<http://tv.somanuals.com>