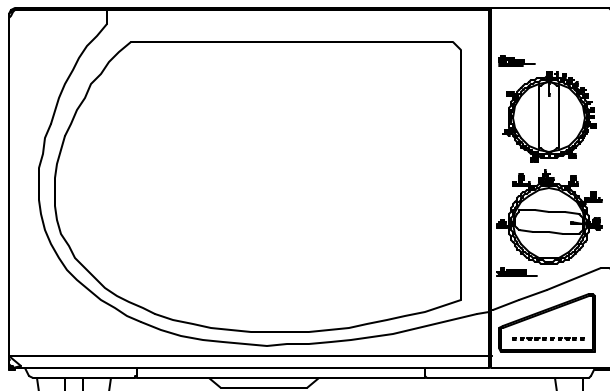




**MICROWAVE OVEN
INSTRUCTION MANUAL
MANUAL DE INSTRUCCIONS**

Model Numbers / No. de Modelos: MO758MW / MO759MB



BEFORE USE, PLEASE READ AND FOLLOW ALL SAFETY RULES AND OPERATING INSTRUCTIONS.

La sección en **español** empieza en la página 18.

Avanti has a policy of continuous improvement on its products and reserves the right to change materials and specifications without notice.

Avanti Products, A Division of The Mackle Co., Inc.
P.O. Box 520604 - Miami, Florida 33152
www.avantiproducts.com

REGISTRATION INFORMATION

Thank you for purchasing this fine Avanti product. Please fill out this card and return it within 100 days of purchase and receive these important benefits to the following address:

**Avanti Products, A Division of The Mackle Co., Inc.
P.O. Box 520604 - Miami, Florida 33152 USA**

✍ Protect your product:

We will keep the model number and date of purchase of your new Avanti product on file to help you refer to this information in the event of an insurance claim such as fire or theft.

✍ Promote better products:

We value your input. Your responses will help us develop products designed to best meet your future needs.

------(detach here)-----

Avanti Registration Card

Name	Model #	Serial #
Address	Date Purchased	Store/Dealer Name
City State Zip	Occupation	
Area Code Phone Number	<u>As Your Primary Residence, Do You:</u> <input type="checkbox"/> Own <input type="checkbox"/> Rent	
<u>Did You Purchase An Additional Warranty:</u> <input type="checkbox"/> Extended <input type="checkbox"/> None	<u>Your Age:</u> <input type="checkbox"/> under 18 <input type="checkbox"/> 18-25 <input type="checkbox"/> 26-30 <input type="checkbox"/> 31-35 <input type="checkbox"/> 36-50 <input type="checkbox"/> over 50	
<u>Reason For Choosing This Avanti Product:</u> Please indicate the most important factors that influenced your decision to purchase this product. <input type="checkbox"/> Price <input type="checkbox"/> Product Features <input type="checkbox"/> Avanti Reputation <input type="checkbox"/> Product Quality <input type="checkbox"/> Salesperson Recommendation <input type="checkbox"/> Friend/Relative Recommendation <input type="checkbox"/> Warranty <input type="checkbox"/> Other _____	<u>Marital Status:</u> <input type="checkbox"/> Married <input type="checkbox"/> Single <u>Is This Product Used In The:</u> <input type="checkbox"/> Home <input type="checkbox"/> Business <u>How Did You Learn About This Product:</u> <input type="checkbox"/> Advertising <input type="checkbox"/> In Store Demo <input type="checkbox"/> Personal Demo <input type="checkbox"/> Other _____ Comments _____ _____ _____	

HELP US HELP YOU...

Read this guide carefully.

It is intended to help you operate and maintain your new microwave oven properly.

Keep it handy to answer your questions. If you don't understand something or you need more assistance, please call:

Avanti Customer Service
800-220-5570

Keep proof of original purchase date (such as your sales slip) with this guide to establish the warranty period.

Write down the model and serial numbers.

You'll find them on a label located on the rear wall of the microwave oven.

Please write these numbers here:

Date of Purchase

Model Number

Serial Number

Use these numbers in any correspondence or service calls concerning your microwave oven.

If you received a damaged microwave oven, immediately contact the dealer (or builder) that sold you the microwave oven.

Save time and money. Before you call for service, check the Troubleshooting Guide. It lists causes of minor operating problems that you can correct yourself.

IF YOU NEED SERVICE

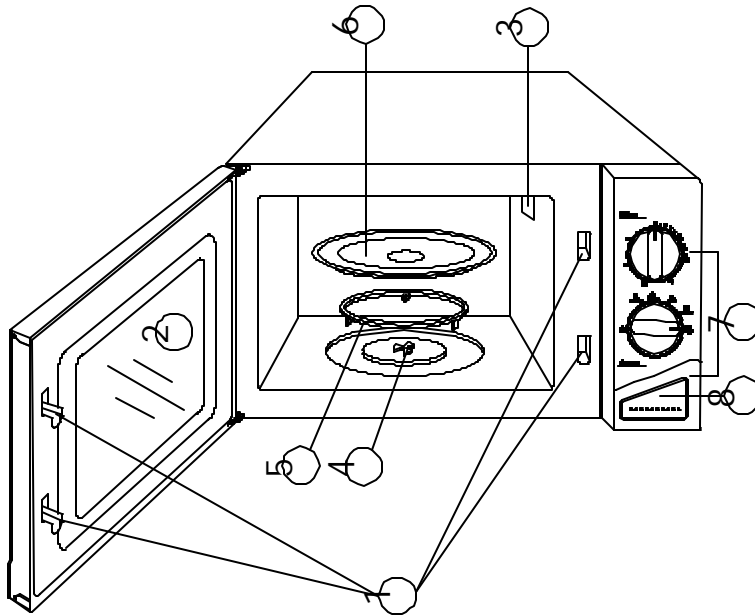
We're proud of our service and want you to be pleased. If for some reason you are not happy with the service you receive, here are some steps to follow for further assistance.

FIRST, contact the people who serviced your microwave oven. Explain why you are not pleased. In most cases, this will solve the problem.

NEXT, if you are still not pleased, write all the details, including your telephone number, and send it to:

Customer Service
Avanti Products
10880 NW 30 Street
Miami, FL 33172 USA

PARTS AND FEATURES



1. DOOR SAFETY LOCK SYSTEM
2. OVEN WINDOW
3. OVEN AIR VENT
4. SHAFT
5. ROLLER RING
6. GLASS TRAY
7. CONTROL PANEL
8. DOOR RELEASE BUTTON

TABLE OF CONTENTS

Registration Information _____	2
Help Us Help You ... _____	4
Parts And Features _____	5
Important Safety Instructions _____	7
Installation Instructions _____	8
Before Using Your Appliance _____	8
Installation Of Your Appliance _____	8
Safety Precautions _____	8
Electrical Connection _____	10
Operating Your Appliance _____	10
Operation Procedure _____	11
Control Panel _____	12
Operation _____	13
Cooking Techniques _____	14
Care And Maintenance _____	14
Cleaning Your Appliance _____	14
Troubleshooting Guide _____	15
Service For Your Appliance _____	15
Limited Warranty _____	16
Wiring Diagram _____	17
INSTRUCCIONES EN ESPAÑOL _____	18~26

IMPORTANT SAFETY INSTRUCTIONS



To reduce the risk of fire, electrical shock, or injury when using your appliance, follow these basic precautions:

- ? Read all instructions before using the appliance.
- ? Some products such as whole eggs and sealed containers-(for example, closed glass jars) may explode and should not be heated in microwave oven.
- ? Use this microwave oven only for its intended use as described in this manual.
- ? Do not use corrosive chemicals or vapors in this appliance. This type of oven is specifically designed to heat, cook, or dry food. It is not designed for industrial or laboratory use.
- ? As with any appliance, close supervision is necessary when used by children.
- ? Do not operate this microwave oven if it has a damaged cord or plug, if it is not working properly, or if it has been damaged or dropped.
- ? To reduce the risk of fire in the oven cavity:
 - ? Do not overcook food. Carefully attend microwave oven if paper, plastic, or combustible materials are placed inside the oven to facilitate cooking.
 - ? Remove wire twist-ties from bags before placing bag in oven.
 - ? If materials inside the oven should ignite, keep oven door closed, turn oven off at the wall switch, or shut off power at the fuse or circuit breaker panel.
 - ? Do not use the cavity for storage purposes. Do not leave paper products, cooking utensils, or food in the cavity when not in use.
- ? Only qualified service personnel should service this appliance. Contact the nearest authorized service facility for examination, repair or adjustment.
- ? Do not cover or block any openings on this appliance.
- ? Do not use this microwave oven to heat corrosive chemicals (for example, sulfides and chlorides). Vapors from such corrosive chemicals may interact with the contact and springs of the safety interlock switches thereby rendering them inoperable.
- ? Do not immerse cord or plug in water.
- ? Keep cord away from heated surfaces.
- ? Do not let cord hang over edge of table or counter.
- ? Never clean appliance parts with flammable fluids. The fumes can create a fire hazard or explosion.
- ? Do not store or use gasoline or any other flammable vapors and liquids in the vicinity of this or any other appliance. The fumes can create a fire hazard or explosion.

-Save these instructions-

INSTALLATION INSTRUCTIONS

BEFORE USING YOUR APPLIANCE

- ? Remove the exterior and interior packing.
 - ? Check to be sure you have all of the following parts:
 - ? Glass Tray
 - ? Roller Ring
 - ? Instruction Manual
 - ? Inspect the oven after unpacking for any visual damage such as:
 - ? Misaligned Door
 - ? Damaged Door
 - ? Dents or Holes in Door Window and Screen
 - ? Dents in Cavity
- If any of the above is visible, DO NOT use the oven.

INSTALLATION OF YOUR APPLIANCE

- ? When positioning the microwave oven, it should be set on a flat, steady surface.
- ? Do not block air vents. If they are blocked during operation, the oven may overheat and eventually cause oven failure.
- ? Poor television reception and radio interference may result if the oven is located close to a TV, radio, antenna, or antenna wire. Position the oven as far from them as possible.
- ? Clean the interior surface with lukewarm water using a soft cloth.
- ? Keep the oven away from hot air, steam or splashing liquids when choosing a place to locate it, otherwise, the unit's operation may be adversely affected, causing it to break down.
- ? Direct sunlight may affect the acrylic coating and heat sources may increase electrical consumption.
- ? Plug the appliance into an exclusive properly installed-grounded wall outlet. Do not under any circumstances cut or remove the third (ground) prong from the power cord. Any questions concerning power and or grounding should be directed toward a certified electrician or an authorized Avanti Products service center.
- ? DO NOT place anything on the top of the oven.
- ? Keep the oven at least 5 inches away from both sidewalls and away from rear wall to ensure the proper ventilation.
- ? DO NOT remove the turn-table drive shaft.

SAFETY PRECAUTIONS

General Use

- ? DO NOT attempt to tamper with or make any adjustments or repairs to door, control panel or any other part of the oven. DO NOT remove outer panel from oven. Repairs should only be done by qualified service personnel.
- ? DO NOT operate the oven empty. The microwave energy will reflect continuously throughout the oven if no food or water is present to absorb energy.
- ? If a fire occurs in the oven, turn to "0" and LEAVE THE DOOR CLOSED. Disconnect the power cord, or shut off power at the fuse or circuit breaker panel.
- ? DO NOT attempt to dry clothes, newspapers or other materials in oven. They may catch on fire.
- ? DO NOT use recycled paper products, as they may contain impurities, which may cause sparks and/or fires when used.
- ? DO NOT hit or strike control panel. Damage to controls may occur.

Utensils

- ? METAL CONTAINERS or dishes with metallic rims should not be used. Arcing may occur.
- ? METAL TWIST-TIES may not be used in the microwave oven.
- ? DO NOT use SEALED JARS or NARROW NECK bottles for cooking or reheating. They may shatter.
- ? DO NOT use CONVENTIONAL THERMOMETERS in the microwave oven. They may cause arcing. Use only those labeled "Microwave Safe" and follow all directions. Check the food in several places.
- ? Remove PLASTIC STORE WRAPS before cooking or defrosting in the oven.

RECOMMENDED

- ? Microwave browning dish – Use to brown exterior of small items such as steaks, chops, or pancakes. Follow the directions provided with your browning dish.
- ? Microwaveable plastic wrap – Use to retain steam. Leave a small opening for some steam to escape and avoid placing it directly on the food.
- ? Paper towels and napkins – Use for short-term heating and covering; these absorb excess moisture and prevent splattering. Do not use recycled paper towels, which may contain metal and could ignite.

Food

- ? Never use your microwave oven for HOME CANNING. The oven is not designed to permit proper canning. Improperly canned food may spoil and be dangerous to consume.
- ? COOKING TIMES are approximate. Factors that may affect cooking are starting temperature, altitude, volume, size and shape of food and utensils used. As you become familiar with the oven, you will be able to adjust for these factors.
- ? It is better to UNDERCOOK RATHER THAN OVERCOOK foods. If food is undercooked, it can always be returned to the oven for further cooking. If food is overcooked, nothing can be done. Always start with minimum cooking times.
- ? SMALL QUANTITIES of food or foods with LOW MOISTURE content can burn, dry out or catch on fire if cooked too long.
- ? DO NOT boil eggs in their shell. Pressure may build up and the eggs will explode.
- ? Potatoes, apples, egg yolks, whole acorn squash and sausage are examples of food with NONPOROUS SKINS. These must be pierced before cooking to prevent bursting.
- ? POPCORN must be popped in a microwave corn popper. Microwave popped corn produces a lower yield than conventional popping. DO NOT use oven for popcorn unless popped in a microwave approved popcorn utensil or unless it's commercially packaged and recommended especially for microwave ovens. DO NOT use oil unless specified by the manufacturer.
- ? DO NOT attempt to deep fat fry in your oven.
- ? HEATED LIQUIDS can ERUPT if not mixed with air. DO NOT heat liquids in your microwave oven without first stirring.

ELECTRICAL CONNECTION

This appliance must be grounded. In the event of an electrical short circuit, grounding reduces the risk of electrical shock by providing an escape wire for the electric current. This appliance is equipped with a cord having a grounding wire with a grounding plug. The plug must be inserted into an outlet that is properly installed and grounded.

Warning

Improper use of the grounded plug can result in the risk of electrical shock. Consult a qualified electrician or service person if the grounding instructions are not completely understood, or if doubt exists as to whether the appliance is properly grounded.

The power cord of this appliance is equipped with a three-prong plug which mates with standard three prong wall outlets to minimize the possibility of electrical shock.

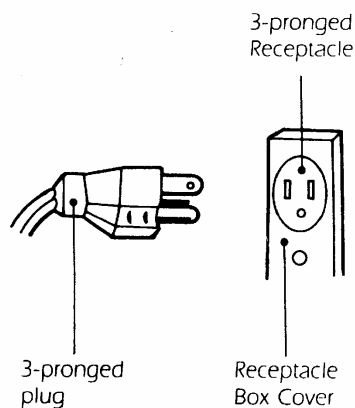
Do not under any circumstances cut or remove the third ground prong from the power cord supplied.

Use of extension cords is not recommended.

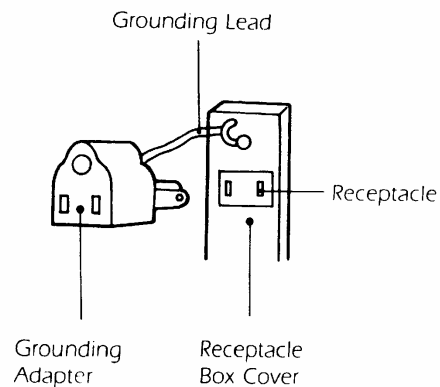
This appliance requires a standard 115/120 Volts A.C. ~/60Hz electrical outlet with three-prong ground.

The cord should be secured behind the appliance and not left exposed or dangling to prevent accidental injury.

When using a 3-pronged plug



When using a grounding adapter, make sure the receptacle box is fully grounded



OPERATING YOUR APPLIANCE

Although your oven is provided with safety features, it is important to observe the following:

- ? It is important not to defeat or tamper with safety interlocks.
- ? Do not place any object between the oven front face and the door or allow residue to accumulate on sealing surfaces. Wipe the sealing area frequently with a mild detergent, rinse and wipe dry. Never use abrasive powders or pads.

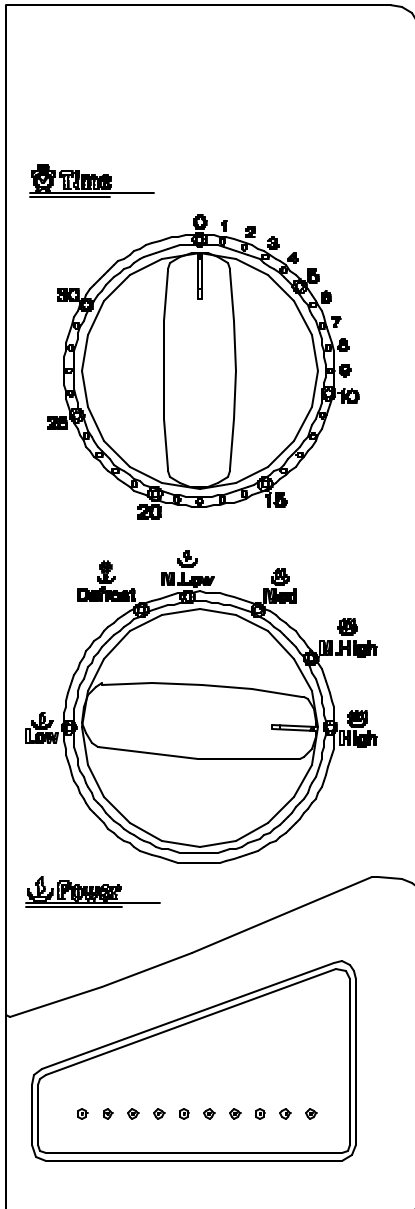
- ? When opened, the door must not be subjected to strain, for example, a child hanging on an opened door or any load which could cause the oven to fall forward and cause injury and damage the door. Do not operate the oven if it is damaged, until it has been repaired by a qualified service person. It is particularly important that the oven closes properly and that there is no damage to the:
 - ? Door (bent).
 - ? Hinges and latches (broken or loosened).
 - ? Door seals and sealing surfaces.
- ? The oven should not be adjusted or repaired by anyone except properly qualified service personnel.

OPERATION PROCEDURE

- ? **Plug the power supply cord into a standard 3-pronged 15 Amp, 120V AC 60 Hz.**
- ? **After placing the food in a suitable container, open the oven door and put it on the glass tray. The glass tray and roller guide must always be in place during cooking.**
- ? **Shut the door. Make sure that it is firmly closed.**
- ? The oven door can be opened at any time during operation by pushing the door release button. The oven will automatically shut off. To restart the oven, close the door and the oven will start automatically.
- ? The oven automatically cooks on high power and defrosts on low power.
- ? The oven will not start cooking until the door is completely closed and the program has been set.

 **CONTROL PANEL**

Follow the applicable instructions for operation and control.

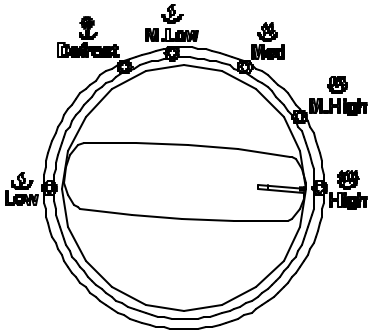


TIMER - 0-30 minutes
Power Select Control

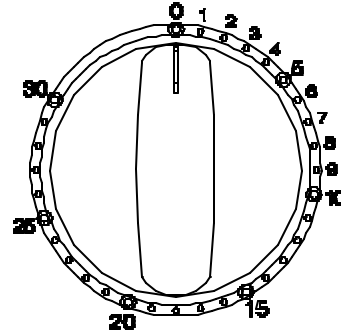
HIGH	100%	Power Outcome
M. HIGH	85%	Power Outcome
MED	66%	Power Outcome
M. LOW	48%	Power Outcome
DEFROST	40%	Power Outcome
LOW	17%	Power Outcome

OPERATION

To set a cooking program: PLACE CONTAINER OF FOOD on the glass tray and close the door.



Turn Power Select
Control to needed
power level.



Use Timer to set desired
cooking time.

NOTE: As soon as the timer is turned, oven will start cooking. When setting timer for less than 2 minutes, turn timer past 2 minutes and then return to correct time. When time has elapsed, a bell will ring and the unit will turn off.

CAUTION: ALWAYS RETURN TIMER BACK TO ZERO POSITION if food is removed from oven before the set cooking time is complete or when oven is not in use. You may open the door while the oven is operating. As soon as the door is opened the safety mechanism stops microwave power.

COOKING TECHNIQUES

Your microwave makes cooking easier than conventional cooking, provided you keep these considerations in mind.

Stirring

Stir foods such as casseroles and vegetables while cooking to distribute heat evenly. Food at the outside of the dish absorbs more energy and heats more quickly, so stir from the outside to the center. The oven will turn off when you open the door to stir your food.

Arrangement

Arrange unevenly shaped foods, such as chicken pieces or chops, with the thicker, meatier parts toward the outside of the turntable where they receive more microwave energy. To prevent overcooking, place delicate areas, such as asparagus tips, toward the center of the turntable.

Turning

Turn foods over midway through cooking to expose all parts to microwave energy. This is especially important with large foods such as roasts.

Standing

Foods cooked in the microwave build up internal heat and continue to cook for a few minutes after heating stops. Let foods stand to complete cooking, especially foods such as cakes and whole vegetables. Roasts need this time to complete cooking in the center without overcooking the outer areas. All liquids, such as soup or hot chocolate, should be shaken or stirred when cooking is complete. Let liquids stand a moment before serving. When heating baby food, stir well at removal and test the temperature before serving.

Adding Moisture

Microwave energy is attracted to water molecules. Food that is uneven in moisture content should be covered or allowed to stand so that the heat disperses evenly. Add a small amount of water to dry food to help them cook.

CARE AND MAINTENANCE

CLEANING YOUR APPLIANCE

- ? Turn the oven off and remove the power plug from the wall socket before cleaning.
- ? Keep the inside of the oven clean. When food splatters or spilled liquids adhere to oven walls, wipe with a damp cloth. Mild detergent may be used if the oven gets very dirty. The use of harsh detergent or abrasives is not recommended.
- ? The outside oven surfaces should be cleaned with a damp cloth. To prevent damage to the operating parts inside the oven, water should not be allowed to seep into the ventilation openings.
- ? Do not allow the control panel to become wet. Clean with a soft, damp cloth. Do not use detergents, abrasives or spray-on cleaners on the control panel. When cleaning the control Panel, leave oven door open to prevent oven from accidentally turning on.
- ? If steam accumulates inside or around the outside of the oven door, wipe with a soft cloth. This may occur when the microwave oven is operated under high humidity conditions and in no way indicates malfunction of the unit.
- ? It is occasionally necessary to remove the glass tray for cleaning. Wash the tray in warm sudsy water or in a dishwasher.
- ? The roller ring and oven cavity floor should be cleaned regularly to avoid excessive noise. Simply wipe the bottom surface of the oven with mild detergent, water or window cleaner and dry. The roller ring may be washed in mild sudsy water or dishwasher. Cooking vapors collect during repeated use but in no way affect the bottom surface or roller ring wheels. When removing the roller ring from cavity floor for cleaning, be sure to replace it in the proper position.
- ? Remove odors from your oven by combining a cup of water with the juice and skin of one lemon in a deep microwavable bowl. Microwave for 5 minutes. Wipe thoroughly and dry with a soft cloth.
- ? When it becomes necessary to replace the oven light, please consult a dealer to have it replaced.

PROBLEMS WITH YOUR APPLIANCE?

You can solve many common appliance problems easily, saving you the cost of a possible service call.

Try the suggestions below to see if you can solve the problem before calling the servicer.

TROUBLESHOOTING GUIDE

PROBLEM	POSSIBLE CAUSE
Appliance does not operate.	Not plugged in. The circuit breaker tripped or a blown fuse. The door is not closed properly.
The light does not work.	The circuit breaker tripped or a blown fuse. The appliance is unplugged. The bulb has burned out (see the maintenance section for the replacement procedure).
Vibrations.	Check to assure that the appliance is level.

SERVICE FOR YOUR APPLIANCE

We are proud of our customer service organization and the network of professional service technicians that provide service on your Avanti appliances. With the purchase of your Avanti appliance, you can be confident that if you ever need additional information or assistance, the Avanti Products Customer Service team will be here for you. Just call us toll-free.

AVANTI PRODUCTS CUSTOMER SERVICES

Product Information 800-323-5029	Whatever your questions are about our products, help is available.
Part Orders 800-220-5570	You may order parts and accessories that will be delivered directly to your home by personal check, money order, Master Card, or Visa.
In-Home Repair Service (On Select Units) 800-220-5570	An Avanti Products authorized service center will provide expert repair service, scheduled at a time that is convenient for you. Our trained servicers know your appliance inside and out.

Avanti Microwave Ovens

LIMITED WARRANTY

LIMITED ONE-YEAR WARRANTY

Avanti Products will repair or replace, without charge, any part of your product, which proves to be defective in material or workmanship under normal use during the first year after the date of original purchase by a consumer. This warranty is good for the original purchaser during the warranty period and applies only in the continental United States. Transportation of this product to and from the designated service facility is the responsibility of the consumer.

LIMITED TWO-YEAR WARRANTY

During the second year of use, Avanti Products will furnish, as needed, a replacement part in exchange for any part, which fails due to a defect in material or workmanship. All labor and transportation charges are the responsibility of the owner.

LIMITED SEVEN-YEAR WARRANTY-MAGNETRON TUBE

For an additional 6-year period beyond the first year of the general coverage of this warranty, Avanti Products will replace a magnetron tube, which fails due to a defect in material or workmanship. The consumer will be responsible for all labor, service charge and transportation.

This warranty is good for the original purchaser during the warranty period and applies only in the continental United States.

Implied warranties of the merchantability or, to the extent applicable, fitness for a particular purpose, are limited in duration to seven years, the same duration as the basic limited warranty provided hereby. Some states do not allow limitations on how long an implied warranty may last.

So, this limitation may not apply to you.

Avanti Products shall not be liable for any food loss or for any other incidental or consequential damages not for any special damages or any further loss which may arise in connection with its warranted appliance or any claims under this warranty. Some states do not allow the exclusion or limitation of incidental or consequential damages. So the above exclusion or limitation may not apply to you.

To obtain service under this warranty, contact any of the Avanti Products service centers. A list of the service centers can be obtained from your dealer or from Avanti Products, 10880 N.W. 30th Street, Miami, FL 33172. The user must keep a copy of the bill of sale verifying the purchase date to validate the warranty.

THE ABOVE WARRANTIES DO NOT APPLY

1. To damages or problems, which result from improper installation or delivery.
2. To damages or problems, which result from misuse, abuse, accident, alteration, or incorrect electrical current or voltage.
3. To service calls. (Unit must be brought or shipped to and from applicable service centers).
4. To any other product used for anything other than normal private household use.
5. To light bulbs.

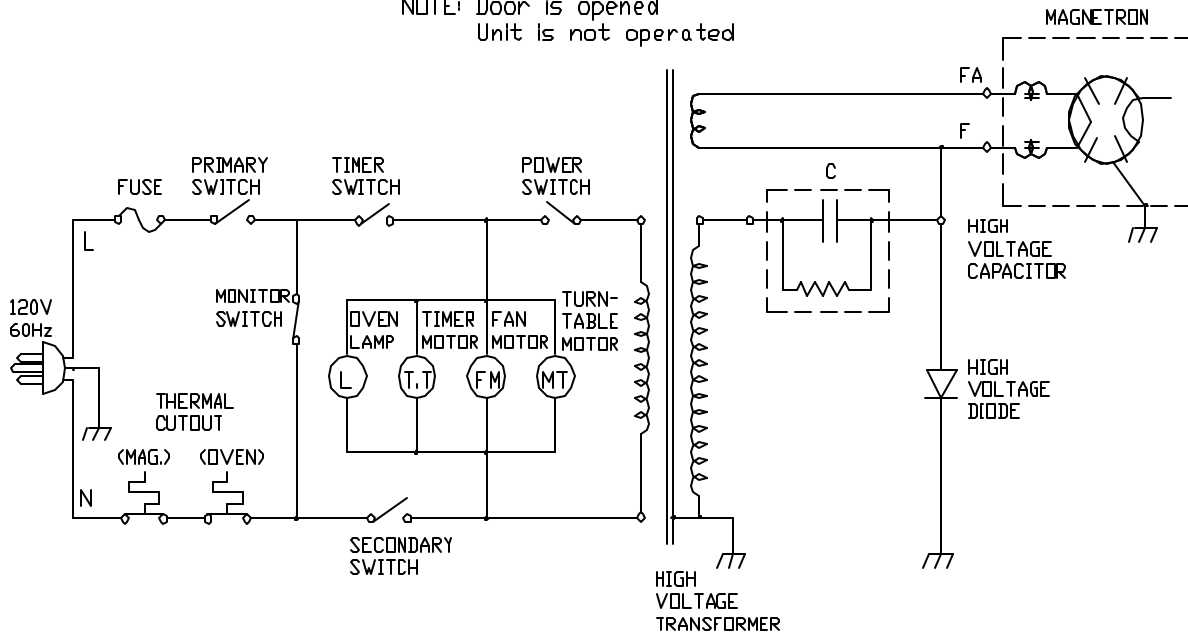
This warranty gives you specific legal rights, and you may also have other rights, which vary from state to state.

AVANTI PRODUCTS, A DIVISION OF THE MACKLE CO., INC.
P.O. BOX 520604 – MIAMI, FLORIDA 33172

WIRING DIAGRAM

SCHEMATIC DIAGRAM

NOTE: Door is opened
Unit is not operated



INSTRUCCIONES EN ESPAÑOL

PRECAUCION	PARA REDUCIR EL RIESGO DE INCENDIO, DESCARGA ELECTRICA, O DAÑO CUANDO ESTE USANDO SU HORNO MICROONDAS, SIGA ESTAS INDICACIONES.
<ul style="list-style-type: none">? LEA TODAS LAS INSTRUCCIONES ANTES DE USAR SU HORNO MICROONDAS.? ALGUNOS PRODUCTOS TALES COMO HUEVOS ENTEROS Y ENVASES SELLADOS (POR EJEMPLO, FRASCOS DE VIDRIO) PUEDEN EXPLOTAR, POR LO QUE NO DEBEN SER CALENTADOS EN SU HORNO MICROONDAS.? USE SU HORNO MICROONDAS SOLAMENTE PARA LO QUE SE INDICA EN ESTE MANUAL.? NO USE SUSTANCIAS QUIMICAS CORROSIVAS O GASES EN ESTE HORNO. ESTE TIPO DE HORNO MICROONDAS ESTA DISEÑADO ESPECIFICAMENTE PARA CALENTAR, COCINAR, Y DESHIDRATAR ALIMENTOS, NO ESTA DISEÑADO PARA USO INDUSTRIAL O DE LABORATORIO.? COMO CON TODO ELECTRODOMESTICO, ES NECESARIA LA SUPERVISION DE UNA PERSONA ADULTA CUANDO SEA OPERADO POR NIÑOS.? NO USE SU HORNO MICROONDAS SI TIENE EL CORDON O EL ENCHUFE DAÑADOS, SI NO ESTA FUNCIONANDO APROPIADAMENTE, O SI ESTE SUFRIO UN GOLPE O UNA CAIDA.? PARA REDUCIR EL RIESGO DE CHISPAS O FUEGO EN EL INTERIOR DEL HORNO MICROONDAS:<ul style="list-style-type: none">? NO RECOCINE ALIMENTOS. ESTE PENDIENTE DE SU HORNO MICROONDAS CUANDO COCINE ALIMENTOS QUE VENGAN CON ALGUN TIPO DE ENVOLTURA COMO: PAPEL, PLASTICO, O MATERIAL QUE PUEDA SERVIR COMO COMBUSTIBLE, PODRIA INICIAR UN INCENDIO.? RETIRE EL ALAMBRE METALICO QUE SE UTILIZA PARA CERRAR LAS BOLSAS ANTES DE COLOCAR EL ALIMENTO DENTRO DEL HORNO.? SI ALGUNO DE LOS MATERIALES QUE ESTAN DENTRO DEL HORNO SE INCENDIA, MANTENGA LA PUERTA DEL HORNO MICROONDAS BIEN CERRADA, DESCONECTELO O APAGUE LA LLAVE GENERAL DE ELECTRICIDAD.? NO ALMACENE OBJETOS, NI DEJE PAPELES, UTENSILIOS DE COCINA, O ALIMENTOS DENTRO DE SU HORNO MICROONDAS.? SOLO PERSONAL DE SERVICIO AUTORIZADO PUEDE BRINDAR SERVICIO TECNICO A SU HORNO MICROONDAS. COMUNIQUESE CON EL SERVICIO TECNICO AUTORIZADO MAS CERCANO PARA EXAMINAR, O REPARAR SU HORNO MICROONDAS.? NO CUBRA NI OBSTRUYA NINGUN TIPO DE VENTILACION DE SU HORNO.? NO USE SU HORNO MICROONDAS PARA CALENTAR SUSTANCIAS QUIMICAS CORROSIVAS (POR EJEMPLO, SULFUROS Y CLORUROS), EL GAS DE DICHS QUIMICOS PUEDE INTERACTUAR CON LOS CONTACTOS Y RESORTES DE LA LLAVE DE SEGURIDAD, DEJANDOLA INOPERABLE.? NO SUMERJA EL CORDON NI EL ENCHUFE DENTRO DEL AGUA.? MANTENGA SU HORNO MICROONDAS ALEJADO DE SUPERFICIES CALIENTES.? NO DEJE EL CORDON COLGANDO EN EL BORDE DE MESAS O MOSTRADORES.? NO LIMPIE SU HORNO MICROONDAS CON LIQUIDOS INFLAMABLES. LOS GASES QUE ESTOS EMITEN PUEDEN OCASIONAR UNA EXPLOSION Y/O INCENDIO.? NO ALMACENAR NI USAR GASOLINA, NINGUN TIPO DE GAS O LIQUIDO INFLAMABLE CERCA DE SU HORNO MICROONDAS O DE OTROS ELECTRODOMESTICOS, YA QUE PUEDEN PRODUCIR UN INCENDIO Y DESENCADENAR UNA EXPLOSION. <p style="text-align: center;"><u>GUARDE LAS INSTRUCCIONES CERCA DE SU ALCANCE.</u></p>	

INDICACIONES PARA LA INSTALACION

ANTES DE USAR SU HORNO MICROONDAS

- ? RETIRE LA ENVOLTURA EXTERIOR E INTERIOR
- ? VERIFIQUE QUE TENGA LAS SIGUIENTES PARTES:
 - ? PLATO DE VIDRIO
 - ? ARO GIRATORIO
 - ? MANUAL DE USO
- ? VERIFICAR QUE EL HORNO MICROONDAS NO TENGA LOS SIGUIENTES DAÑOS:
 - ? PUERTA MAL ALINEADA O DESCUADRADA
 - ? PUERTA DAÑADA
 - ? ABOLLADURAS O AGUJEROS EN LA PUERTA Y/O PANTALLA.
 - ? ABOLLADURAS DENTRO DEL HORNO.

SI SU HORNO MICROONDAS MUESTRA ALGUNA DE LAS CARACTERISTICAS ARRIBA MENCIONADAS, NO LO USE.

INSTALACION DE SU HORNO MICROONDAS

- ? DEBE UBICAR SU HORNO MICROONDAS EN UNA SUPERFICIE PLANA Y ESTABLE.
- ? NO OBSTRUYA NINGUN TIPO DE VENTILACION. SI ESTO SUCEDE MIENTRAS USTED OPERA SU HORNO MICROONDAS OCASIONARA QUE ESTE SE RECALIENTE Y QUE EVENTUALMENTE SE MALOGRE.
- ? COLOCAR EL HORNO MICROONDAS CERCA A SU TELEVISOR, RADIO, ANTENA O CABLES DE LA ANTENA, PODRIA OCASIONAR MALA SEÑAL EN LA TELEVISION E INTERFERENCIA EN LA RADIO. POR LO TANTO RECOMENDAMOS UBICAR SU HORNO MICROONDAS LO MÁS ALEJADO POSIBLE DE ÉSTOS ARTEFACTOS.
- ? LIMPIE LA SUPERFICIE INTERIOR DEL HORNO MICROONDAS CON UN TRAPO SUAVE HUMEDECIDO CON UN POCO DE AGUA TIBIA.
- ? MANTENGA SU HORNO MICROONDAS ALEJADO DEL AIRE CALIENTE, VAPOR O DE LAS SALPICADURAS DE LÍQUIDOS CUANDO ESCOJA UN LUGAR DONDE UBICARLO, DE NO HACERLO SU FUNCIONAMIENTO PODRIA SER AFECTADO.
- ? LOS RAYOS SOLARES DIRECTOS PODRIAN AFECTAR EL REVESTIMIENTO ACRILICO Y LAS FUENTES DE CALOR PODRIAN INCREMENTAR EL CONSUMO ELECTRICO.
- ? CONECTE SU HORNO MICROONDAS A UN TOMACORRIENTE DE PARED EXCLUSIVO Y APROPIADO. BAJO NINGUNA RAZON SE DEBE RETIRAR LA TERCERA PUNTA (CABLE DE TIERRA) DEL ENCHUFE. CUALQUIER CONSULTA RESPECTO A LA CORRIENTE ELECTRICA Y/O EL CABLE DE TIERRA, DEBE SER DIRIGIDA A UN ELECTRICISTA CERTIFICADO O A UN CENTRO DE SERVICIOS AUTORIZADO POR AVANTI PRODUCTS.
- ? NO COLOQUE OBJETOS SOBRE SU HORNO MICROONDAS.
- ? PARA ASEGURAR UNA VENTILACION APROPIADA MANTENGA SU HORNO MICROONDAS A POR LO MENOS 5 PULGADAS DE LA PARED.
- ? NO REMUEVA EL EJE DEL MOTOR GIRATORIO.

MEDIDAS DE PRECAUCION

USO GENERAL

- ? NO INTENTE MANIPULAR, AJUSTAR O REPARAR LA PUERTA, EL PANEL DE CONTROL O CUALQUIER PARTE DE SU HORNO MICROONDAS. NO REMUEVA EL PANEL DE CONTROL DEL HORNO. LAS REPARACIONES DEBERAN SER REALIZADAS POR PERSONAL DE SERVICIO CALIFICADO.
- ? NO UTILICE EL HORNO CUANDO ESTE VACIO. SI NO HAY ALIMENTOS O AGUA DENTRO DEL HORNO MICROONDAS, QUE PUEDAN ABSORBER TODA LA ENERGIA DE LAS MICROONDAS, ESTA SE REFLEJARA CONTINUAMENTE DENTRO EL HORNO.

- ? DE SUCEDER UN INCENDIO, PRESIONE LA TECLA START/STOP EN EL PANEL DE CONTROL Y DEJE LA PUERTA CERRADA. DESCONECTE EL ENCHUFE O **DESCONECTELO DE LA CAJA GENERAL DE LA ELECTRICIDAD.**
- ? NO INTENTE SECAR ROPA, PERIODICOS, U OTRO TIPO DE MATERIALES EN EL HORNO. ESTOS PODRIAN INCENDIARSE.
- ? NO USE PRODUCTOS DE PAPEL RECICLADO, ESTOS CONTIENEN IMPUREZAS QUE PUEDEN CAUSAR CHISPAS Y FUEGOS CUANDO SON USADOS.
- ? NO GOLPEE EL PANEL DE CONTROL, PODRIA DAÑAR LOS CONTROLES.

UTENSILIOS

- ? NO USE ENVASES DE METAL O PLATOS CON BORDES METALICOS, PODRIAN OCASIONAR CHISPAS.
- ? NO USE ALAMBRES METALICOS PARA CERRAR BOLSAS EN SU HORNO MICROONDAS.
- ? NO USE FRASCOS SELLADOS O BOTELLAS DE CUELLO ESTRECHO PARA COCINAR O RECALENTAR. PODRIAN ROMPERSE.
- ? NO USE TERMOMETROS CONVENCIONALES EN EL MICROONDAS. SOLO USE LOS LLAMADOS "MICROWAVE SAFE" (PARA USO EN MICROONDAS) SIGUIENDO SUS INSTRUCCIONES.
- ? RETIRE LAS ENVOLTURAS PLASTICAS DE LOS ALIMENTOS ANTES DE COCINARLOS O DESCONGELARLOS.

RECOMENDACIONES

- ? PLATO DORADOR DE MICROONDAS: USELO PARA DORAR EL EXTERIOR DE COMIDAS PEQUEÑAS TALES COMO CARNE DE RES, DE CERDO O PANQUEQUES. SIGA LAS INSTRUCCIONES QUE VIENEN CON EL PLATO DORADOR.
- ? ENVOLTURAS PLASTICAS PARA MICROONDAS: USELAS PARA RETENER EL VAPOR DE AGUA, DEJANDO UNA PEQUEÑA ABERTURA PARA DEJAR ESCAPAR UN POCO DEL MISMO, EVITANDO ASI QUE CAIGA DIRECTAMENTE SOBRE LA COMIDA.
- ? TOALLAS DE PAPEL Y SERVILLETAS: USELAS COMO COBERTOR PARA CALENTAR POR CORTO TIEMPO, ESTAS ABSORBERAN EL EXCESO DE HUMEDAD Y PREVENDRAN SALPICADURAS. NO USE TOALLAS DE PAPEL RECICLADAS, ESTAS PODRIAN CONTENER METAL LO QUE OCASIONARIA UN INCENDIO.

ALIMENTOS

- ? NUNCA USE SU HORNO MICROONDAS COMO ALACENA. LOS ALIMENTOS QUE ALMACENE DENTRO DEL HORNO PUEDE MALOGRARSE VOLVIENDOSE PELIGROSOS PARA EL CONSUMO.
- ? LOS TIEMPOS PREDETERMINADOS DE COCCION SON APROXIMADOS. LOS FACTORES QUE PUEDEN AFECTAR SU COCIMIENTO SON LA TEMPERATURA INICIAL, LA ALTITUD DONDE USTED SE ENCUENTRE, EL VOLUMEN, EL TAMAÑO, LA FORMA DEL ALIMENTO Y LOS UTENSILIOS USADOS. TAN PRONTO COMO SE ACOSTUMBRE AL MANEJO DEL HORNO MICROONDAS LE SERA MUY FACIL AJUSTARSE A ESTOS FACTORES.
- ? ES MEJOR NO RECOCINAR LOS ALIMENTOS. SI LOS ALIMENTOS NO ESTAN TOTALMENTE COCIDOS, PUEDE COCINARLOS POR UN TIEMPO MAS, RECUERDE QUE SI ESTOS SE QUEMAN YA NADA PODRA HACER. SIEMPRE EMPIECE CON LOS TIEMPOS MINIMOS DE COCCION.
- ? CUANDO EL TIEMPO DE COCCION ES MUY LARGO, LOS ALIMENTOS EN PEQUEÑAS CANTIDADES O MUY SECOS CORREN EL RIESGO DE QUEMARSE, DESHIDRATARSE O INCENDIARSE.
- ? NUNCA HIERVA HUEVOS CON LA CASCARA. LA PRESION DEL HORNO PUEDE AUMENTAR LO QUE HARA QUE LOS HUEVOS REVIENTEN.

- ? LOS ALIMENTOS CON PIEL O CASCARA NO POROSA (POR EJEMPLO LAS PAPAS, MANZANAS, YEMA DE HUEVO, MAIZ ENTERO, CALABAZAS Y SALCHICHA) DEBEN SER PINCHADOS ANTES DE SER COCINADOS PARA EVITAR QUE REVIENTEN.
- ? LAS PALOMITAS DE MAIZ DEBEN SER PREPARADAS EN UN RECIPIENTE ESPECIAL PARA HORNO MICROONDAS. LAS PALOMITAS DE MAIZ PREPARADAS EN HORNO MICROONDAS TIENEN UN MENOR RENDIMIENTO QUE LAS PREPARADAS EN UNA OLLA CONVENCIONAL. NO DEBE USAR EL HORNO MICROONDAS PARA PREPARAR PALOMITAS DE MAIZ A MENOS QUE CUENTE CON LOS UTENSILIOS INDICADOS PARA PREPARARLAS O QUE YA VENGAN EMPACADAS Y RECOMENDADAS ESPECIALMENTE PARA SER PREPARADAS EN UN HORNO MICROONDAS. NO USE ACEITE, A MENOS QUE EL FABRICANTE DEL PRODUCTO LO ESPECIFIQUE.
- ? NO INTENTE FREIR DENTRO DE SU HORNO MICROONDAS.
- ? LOS LIQUIDOS CALIENTES PUEDEN ERUPCIONAR SI NO TIENEN AIRE. NO CALIENTE LIQUIDOS EN SU HORNO MICROONDAS SIN HABERLOS MEZCLADO PRIMERO.

CONEXION ELECTRICA

ESTA UNIDAD DEBE SER CONECTADO A TIERRA. EN EL CASO QUE OCURRA UN CORTO CIRCUITO, LA CONEXION A TIERRA REDUCIRA EL RIESGO DE RECIBIR UNA DESCARGA ELECTRICA POR TENER UN ALAMBRE PARA EL ESCAPE DE LA CORRIENTE ELECTRICA. ESTE HORNO MICROONDAS ESTA EQUIPADO CON UN ENCHUFE QUE POSEE UN CABLE DE TIERRA. EL CABLE DEBE SER CONECTADO EN UN TOMACORRIENTE QUE ESTE APROPIADAMENTE INSTALADO Y QUE POSEA UN RECEPTOR PARA CABLE DE TIERRA.

ADVERTENCIA

EL USO INAPROPIADO DEL CABLE DE TIERRA PUEDE RESULTAR EN UNA DESCARGA ELECTRICA. CONSULTE A UN ELECTRICISTA O PERSONAL DE SERVICIO CALIFICADO SI TIENE ALGUNA DUDA SOBRE LAS INSTRUCCIONES DE INSTALACION DEL CABLE DE TIERRA.

EL CORDON DEL HORNO MICROONDAS ESTA EQUIPADO CON UN ENCHUFE DE TRES PUNTAS EL CUAL ENCAJA PERFECTAMENTE EN UN TOMACORRIENTE DE PARED DE TRES PUNTAS ESTANDAR PARA REDUCIR EL RIESGO DE UNA DESCARGA ELECTRICA.

BAJO NINGUNA CIRCUNSTANCIA CORTE O RETIRE LA TERCERA PUNTA DEL ENCHUFE YA QUE ESTA ES LA CONEXION A TIERRA.

NO USE UNA EXTENSION ELECTRICA.

LA CORRIENTE ELECTRICA DE ESTE HORNO MICROONDAS ES DE 115 A 120 VOLTIOS, TIENE UNA SALIDA ELECTRICA DE 60 HZ Y UN ENCHUFE DE TIERRA DE TRES PUNTAS QUE VA CONECTADO AL TOMACORRIENTE DE PARED.

ASUGURE EL ENCHUFE DETRAS DEL ARTEFACTO Y NO LO DEJE EXPUESTO O COLGADO PARA PREVENIR ACCIDENTES.

OPERANDO SU HORNO MICROONDAS

AUNQUE SU HORNO MICROONDAS ESTE EQUIPADO CON CARACTERISTICAS DE SEGURIDAD, ES IMPORTANTE TOMAR NOTA DE LO SIGUIENTE:

- ? NO TRABE O FUERZE LOS SEGUROS INTERNOS.
- ? NO DEJE NINGUN OBJETO ENTRE LA CARA FRONTAL DEL HORNO Y LA PUERTA. NO DEJE QUE SE ACUMULEN RESIDUOS EN LAS SUPERFICIES SELLADAS. LIMPIE DICHAS

SUPERFICIES FRECUENTEMENTE CON UN DETERGENTE SUAVE, ENJUAGUE Y SEQUELO. NUNCA USE DETERGENTE EN POLVO O ESPONJAS ABRASIVAS.

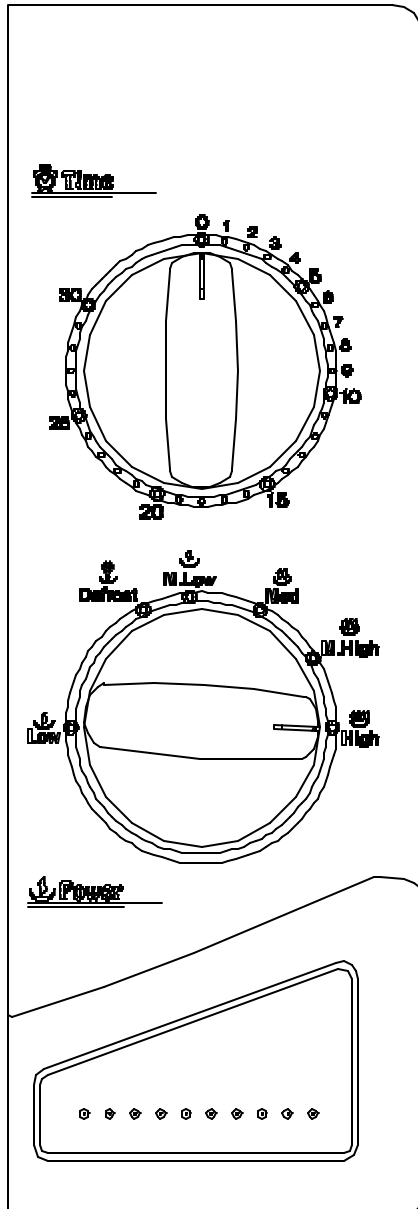
- ? CUANDO LA PUERTA ESTE ABIERTA NO LA FUERZE DEMASIADO, POR EJEMPLO UN NIÑO COLGANDOSE DE ELLA O UNA CARGA QUE CAUSE QUE EL HORNO SE CAIGA HACIA DELANTE Y DE ESTA MANERA DAÑE LA PUERTA
- ? SI SU HORNO MICROONDAS ESTA MALOGRADO NO LO USE HASTA QUE HAYA SIDO REPARADO POR PERSONAL DE SERVICIO CALIFICADO. ES IMPORTANTE QUE SU HORNO MICROONDAS CIERRE APROPIADAMENTE Y QUE NO TENGA DAÑOS EN:
 - ? PUERTA (DOBLADA)
 - ? BISAGRAS Y MANIJAS (ROTAS O SUELTAS)
 - ? SELLOS DE LAS PUERTAS Y SUPERFICIES SELLADAS
- ? SU HORNO MICROONDAS DEBE SER REPARADO SOLO POR PERSONAL DE SERVICIO DEBIDAMENTE CALIFICADO

OPERACION

- ? CONECTE EL ENCHUFE A UN TOMACORRIENTE ESTANDAR DE 3 PUNTAS (120V AC 60 HZ,15 AMP).
- ? CUANDO EL HORNO SE CONECTA POR PRIMERA VEZ LA PANTALLA DEL PANEL DE CONTROL MOSTRARA EL MENSAJE "ENTER CLOCK TIME" (ENTRE LA HORA DEL RELOJ), SI NO DESEA QUE SE MUESTRE LA HORA DEL RELOJ PRESIONE LA TECLA RESET.
- ? LUEGO DE COLOCAR LA COMIDA EN UN ENVASE ADECUADO ABRA LA PUERTA DEL HORNO Y PONGALA SOBRE EL PLATO DE VIDRIO (ESTE Y EL ARO GIRATORIO DEBEN ESTAR SIEMPRE EN SU LUGAR CUANDO EL HORNO ESTE TRABAJANDO).
- ? CIERRE LA PUERTA.
- ? SI PRESIONA LA TECLA START/STOP Y EL HORNO NO COCINA, ASEGURESE QUE LA PUERTA ESTE BIEN CERRADA Y VERIFIQUE QUE NO TENGA OBSTRUCCIONES. EL HORNO NO COMENZARA A COCINAR HASTA QUE LA PUERTA ESTE COMPLETAMENTE CERRADA Y EL HORNO SE HAYA PROGRAMADO CORRECTAMENTE.
- ? CADA VEZ QUE UNA TECLA DEL PANEL DE CONTROL SEA MARCADA USTED ESCUCHARA EL SONIDO DE UN TIMBRE (BEEP). USTED DEBERA MARCAR ALGUNA DE LAS TECLAS DE FUNCIONES ANTES DE HACERLO CON LAS TECLAS NUMERICAS. DOS BEEP INDICARAN QUE EL HORNO NO ACEPTA LA INDICACION DIGITADA, POR FAVOR VERIFIQUELA Y VUELVA A INTENTARLO.
- ? EL HORNO COCINA AUTOMATICAMENTE CON LA POTENCIA MAS ALTA Y DESCONGELA CON LA MAS BAJA.
- ? LA PUERTA DEL HORNO PUEDE ABRIRSE EN CUALQUIER MOMENTO AUNQUE ESTE EN FUNCIONAMIENTO, EL HORNO SE APAGARA AUTOMATICAMENTE PERO TODA LA INFORMACION QUEDARA RETENIDA. PARA REINICIAR SU FUNCIONAMIENTO CIERRE LA PUERTA DEL HORNO Y **EL HORNO COMENZARA A FUNCIONAR AUTOMATICAMENTE.**
- ? CUANDO PRESIONE LA TECLA START/STOP MIENTRAS EL HORNO MICROONDAS OPERA, ESTE DEJARA DE COCINAR.

PANEL DE CONTROL

A CONTINUACION LE INDICAMOS LAS INSTRUCCIONES PARA EL MANEJO DE LOS COMANDOS DEL PANEL DE CONTROL:



BOTON DE CONTROL DE TIEMPO DE 0 A 30 MINUTOS

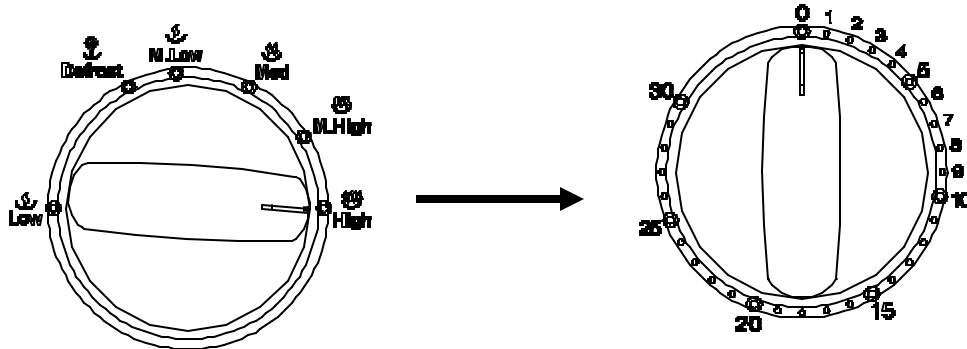
BOTON SELECTOR DE POTENCIA

ALTO-HIGH	100% DE LA POTENCIA TOTAL
MEDIO-ALTO-M. HIGH	85% DE LA POTENCIA TOTAL
MEDIANO-MED	66% DE LA POTENCIA TOTAL
MEDIO-BAJO-M. LOW	48% DE LA POTENCIA TOTAL
DESCONGELAR-DEFROST	40% DE LA POTENCIA TOTAL
BAJO-LOW	17% DE LA POTENCIA TOTAL

MODO DE EMPLEO

COMO PROGRAMAR EL CICLO DE COCCION:

COLOQUE EL ENVASE CON LOS ALIMENTOS EN EL PLATO GIRATORIO Y CIERRE LA PUERTA.



GIRE EL SELECTOR DE POTENCIA HASTA EL NIVEL APROPIADO

GIRE EL BOTON DE CONTROL DE TIEMPO HASTA EL TIEMPO DESEADO

NOTA: APENAS EL CONTROL DE TIEMPO SEA PROGRAMADO EL HORNO EMPEZARA A COCCINAR. PARA PROGRAMAR TIEMPOS MENORES A DOS MINUTOS, GIRE EL BOTON EL TIEMPO DESEADO.

CUANDO EL TIEMPO DE COCCION HAYA TERMINADO, UNA CAMPANA SONARA Y EL HORNO SE APAGARA.

ATENCION: **GIRE** EL BOTON DE CONTROL DE TIEMPO HASTA LA MARCA DEL CERO CUANDO EL HORNO NO ESTE EN USO O SI SACA LA COMIDA DEL HORNO ANTES QUE EL TIEMPO DE COCCION HAYA FINALIZADO. USTED PUEDE ABRIR LA PUERTA MIENTRAS EL HORNO ESTE OPERANDO, YA QUE EL MECANISMO DE SEGURIDAD DE SU HORNO HARA QUE ESTE SE DETENGA.

TECNICAS DE COCINA

COCINAR EN SU HORNO MICROONDAS ES MAS FACIL QUE EN LA COCINA CONVENCIONAL, SIEMPRE QUE TENGA EN MENTE ESTAS CONSIDERACIONES:

MEZCLE

MUEVA ALIMENTOS TALES COMO GUIOSOS Y VEGETALES MIENTRAS LOS COCINE PARA DISTRIBUIR EL CALOR DE UNA MANERA PAREJA. LA COMIDA QUE SE ENCUENTRE EN LA PARTE EXTERNA DEL PLATO GIRATORIO ABSORBERA ENERGIA Y CALOR MAS RAPIDAMENTE, POR LO QUE DEBE CAMBIARLAS DE POSICION CON LAS QUE SE ENCUENTREN EN LA PARTE INTERNA. EL HORNO DEJARA DE FUNCIONAR CUANDO USTED ABRA LA PUERTA PARA CAMBIAR DE POSICION LAS COMIDAS.

ORDENE

ACOMODE LA COMIDA CON FORMA IRREGULAR, TALES COMO PIEZAS DE POLLO O CERDO, PONIENDO LAS PARTES CON MAS CARNE EN EL EXTREMO EXTERIOR DEL PLATO GIRATORIO DONDE RECIBIRAN MAYOR ENERGIA DE LAS MICROONDAS. PARA PREVENIR LA SOBRE COCCION UBIQUE LOS ALIMENTOS DELICADOS, COMO LAS PUNTAS DE LOS ESPARRAGOS, EN EL CENTRO DEL PLATO GIRATORIO.

VOLTEE

VOLTEE Y MEZCLE SU COMIDA A LA MITAD DE LA COCCION PARA QUE TODAS LAS PARTES ESTEN EXPUESTAS AL CALOR DEL MICROONDAS. ESTO ES DE MUCHA IMPORTANCIA PARA COMIDAS GRANDES TALES COMO ASADOS.

REPOSE

LOS ALIMENTOS COCINADOS EN HORNO DE MICROONDAS INCREMENTAN EL CALOR INTERNO POR LO QUE SE CONTINUAN COCINANDO ALGUNOS MINUTOS DESPUÉS QUE EL HORNO DEJO DE FUNCIONAR. DEJELOS REPOSAR POR UNOS MINUTOS, HASTA QUE SE HAYA TERMINADO DE COCINAR POR COMPLETO, SOBRE TODO SI SE TRATA DE TORTAS O VEGETALES ENTEROS. EL ASADO NECESITA DE ESTE REPOSO PARA COCINAR LA PARTE INTERNA SIN RECALENTAR LAS AREAS EXTERNAS. TODOS LOS LIQUIDOS, COMO SOPAS O CHOCOLATE, DEBEN SER MEZCLADOS CUANDO LA COCCION ESTE COMPLETA. DEJELOS REPOSAR ANTES DE SERVIRLOS. CUANDO CALIENTE COMIDA DE BEBE MEZCLELA BIEN Y PRUEBE LA TEMPERATURA ANTES DE SERVIRLA.

HUMEDEZCA

LAS MOLECULAS DE AGUA ATRAEN LA ENERGIA DEL MICROONDAS. LOS ALIMENTOS SECOS DEBEN SER CUBIERTOS O PUESTOS DE TAL MANERA QUE EL CALOR SE PUEDA DISPERSAR UNIFORMEMENTE. AÑADA UN POCO DE AGUA A LA COMIDA MUY SECA PARA AYUDAR SU COCCIÓN

CUIDADO Y MANTENIMIENTO

LIMPIEZA DE SU HORNO MICROONDAS

APAGUE Y DESCONECTE EL ENCHUFE DE PARED ANTES DE LIMPIAR SU HORNO. MANTENGA EL INTERIOR DE SU HORNO MICROONDAS LIMPIO. LOS ALIMENTOS SALPICAN O DERRAMAN PARTICULAS Y LIQUIDOS QUE SE ADHIEREN A LAS PAREDES DEL HORNO, ES RECOMENDABLE LIMPIARLAS CON UN PAÑO HUMEDO. PUEDE USAR UN DETERGENTE MUY SUAVE SI EL HORNO SE ENCUENTRA MUY SUCIO. NO RECOMENDAMOS EL USO DE DETERGENTES O ABRASIVOS FUERTES.

USTED DEBE LIMPIAR LAS PARTES EXTERNAS DE SU HORNO MICROONDAS CON UN PAÑO HUMEDO. PARA PREVENIR DAÑOS EN LAS PARTES INTERNAS DE SU HORNO, EL AGUA NO SE DEBE FILTRAR DENTRO DE LAS REJILLAS DE VENTILACION.

NO PERMITA QUE EL PANEL DE CONTROL SE MOJE. LIMPIELO CON UN PAÑO SUAVE Y HUMEDO. NO USE DETERGENTES, ABRASIVOS O LIMPIADORES EN SPRAY.

CUANDO LIMPIE EL PANEL DE CONTROL DEJE LA PUERTA DEL HORNO ABIERTA PARA PREVENIR QUE ESTE COMIENZE A FUNCIONAR ACCIDENTALMENTE.

SI SE ACUMULA VAPOR DE AGUA DENTRO O ALREDEDOR DE LA PUERTA DEL HORNO MICROONDAS LIMPIELA CON UN PAÑO SUAVE. ESTO PUEDE OCURRIR CUANDO SU HORNO MICROONDAS ESTA FUNCIONANDO DENTRO DE UN AMBIENTE HUMEDO, Y DE NINGUNA MANERA SE DEBE DE INTERPRETAR COMO UN MAL FUNCIONAMIENTO DEL HORNO.

OCASIONALMENTE ES NECESARIO RETIRAR EL PLATO GIRATORIO DE VIDRIO PARA LAVARLO. HAGALO CON AGUA TIBIA JABONOSA O EN LA LAVADORA DE PLATOS.

EL ARO GIRATORIO Y EL PISO INTERIOR DEL HORNO DEBEN SER LIMPIADOS REGULARMENTE PARA EVITAR EL RUIDO EXCESIVO. SIMPLEMENTE LIMPIE LA SUPERFICIE INFERIOR DE SU HORNO CON UN PAÑO, DETERGENTE SUAVE, UN POCO DE AGUA O CON LIQUIDO PARA LIMPIAR VIDRIOS Y LUEGO SEQUELO. EL ARO GIRATORIO PUEDE SER LAVADO EN AGUA LIGERAMENTE JABONOSA O EN LA LAVADORA DE PLATOS.

DEBIDO AL USO REPETIDO DEL HORNO, ESTE ACUMULA VAPORES DE COCINA, ESTO NO AFECTA EL PISO INTERIOR NI LAS RUEDAS DEL ARO GIRATORIO. CUANDO RETIRE EL ARO GIRATORIO DE LA CAVIDAD INFERIOR PARA LIMPIARLO, ASEGURESE DE COLOCARLA NUEVAMENTE EN LA POSICION APROPIADA.

SI SU HORNO MICROONDAS TIENE MAL OLO, COMBINE EN UNA TAZA DE AGUA EL JUGO Y LA CASCARA DE UN LIMON. PONGA EN MARCHA SU HORNO MICROONDAS POR 5 MINUTOS. FROTE Y SEQUE COMPLETAMENTE TODO SU HORNO MICROONDAS CON UN PAÑO SUAVE.

POR FAVOR VISITE A UN REPRESENTANTE AUTORIZADO PARA QUE EFECTUE EL REEMPLAZO DEL BOMBILLO CUANDO SEA NECESARIO.

PROBLEMAS CON SU HORNO MICROONDAS?

USTED PUEDE RESOLVER MUCHOS PROBLEMAS COMUNES DE SU HORNO MICROONDAS, AHORRANDOLE EL GASTO DE UNA POSIBLE VISITA DEL SERVICIO TECNICO.

PRUEBE LAS SIGUIENTES SUGERENCIAS PARA VERIFICAR SI USTED PUEDE RESOLVER EL PROBLEMA ANTES DE LLAMAR AL SERVICIO TECNICO.

GUIA PARA SOLUCIONAR PROBLEMAS

PROBLEMA	SOLUCION
SU MICROONDA NO FUNCIONA	NO ESTA CONECTADO A LA CORRIENTE ELECTRICA. EL INTERRUPTOR SALTO O SE QUEMO UN FUSIBLE LA PUERTA NO ESTA CERRADA APROPIADAMENTE
LA LUZ NO PRENDE	EL INTERRUPTOR SALTO O SE QUEMO UN FUSIBLE EL MICROONDA ESTA DESCONECTADO EL FOCO SE QUEMO (LEA LA PAGINA DE MANTENIMIENTO PARA VER EL PROCEDIMIENTO DE REEMPLAZO)
VIBRACIONES	ASEGURESE QUE EL HORNO MICROONDAS ESTE UBICADO EN UN LUGAR TOTALMENTE PLANO.

PRINTED IN CHINA

Free Manuals Download Website

<http://myh66.com>

<http://usermanuals.us>

<http://www.somanuals.com>

<http://www.4manuals.cc>

<http://www.manual-lib.com>

<http://www.404manual.com>

<http://www.luxmanual.com>

<http://aubethermostatmanual.com>

Golf course search by state

<http://golfingnear.com>

Email search by domain

<http://emailbydomain.com>

Auto manuals search

<http://auto.somanuals.com>

TV manuals search

<http://tv.somanuals.com>