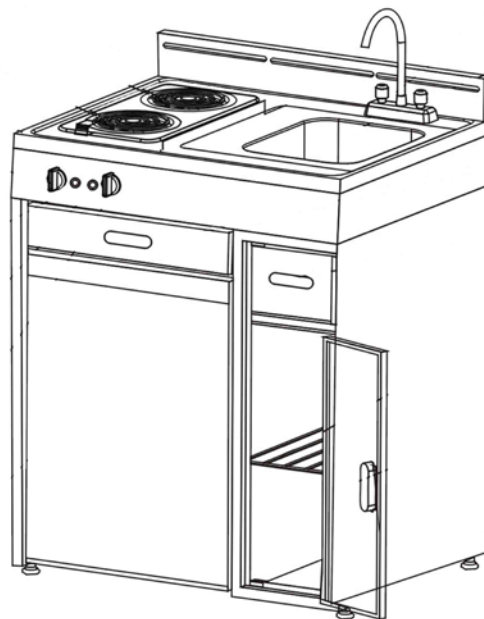




## INSTRUCTION MANUAL MANUAL DE INSTRUCCIONES

Model Number / No. de Modelo: CK3016

### COMPACT KITCHEN WITH REFRIGERATOR MINI COCINA INTEGRADA CON REFRIGERADOR



**BEFORE USE, PLEASE READ AND FOLLOW ALL SAFETY RULES AND OPERATING INSTRUCTIONS AND SAVE FOR LOCAL ELECTRICAL INSPECTOR.**

*La sección en español empieza en la página 17*

Avanti Products has a policy of continuous improvement on its products and reserves the right to change materials and specifications without notice.

*La política de Avanti es la de continuar mejorando sus productos y se reserva el derecho de cambiar los materiales y especificaciones sin notificación alguna.*

---

**Avanti Products LLC**  
**P.O. Box 520604 - Miami, Florida 33152**  
**[www.avantiproducts.com](http://www.avantiproducts.com)**

---

## TABLE OF CONTENTS

Help Us Help You	3
Parts and Features	4
Important Safety Instructions	5
Electrical Installation Instructions	6
Installation Instructions	7
Before Using Your Compact Kitchen	7
Energy Saving Tips	7
Installation of Your Compact Kitchen	7
Electrical Connection	8
Power Supply Connections	9
Backsplash Installation	9
Water Faucet Installation and Water Line Connection	10
Sink Strainer and Water Drain	10
Installation of Your Refrigerator	11
Installation of Side Tray (Tray Sold Separately)	11
Operating Your Compact Kitchen	12
Directions for Use of Electrical Connection	12
Operating Your Refrigerator	12
Operating Your Burners	12
Care and Maintenance	13
Cleaning Your Compact Kitchen	13
Cleaning the Burners and Reflector Bowls	13
Power Failure	13
Vacation Time	13
Moving Your Compact Kitchen	14
Troubleshooting (General)	14
Service for Your Compact Kitchen	15
Your Avanti Products Warranty	16
Instrucciones en Español	17 – 22
Registration Information and Registration Card	23

---

## HELP US HELP YOU...

### Read this guide carefully.

It is intended to help you operate and maintain your new Compact Kitchen properly.

Keep it handy to answer your questions. If you don't understand something or you need more assistance, please call:

**Avanti Customer Service**  
**800-220-5570**

Keep proof of original purchase date (such as your sales slip) with this guide to establish the warranty period.

### **CAUTION:**

THE REFRIGERATOR OF  
COMPACT KITCHEN IS NOT  
DESIGNED FOR THE STORAGE  
OF MEDICINE OR OTHER  
MEDICAL PRODUCTS.

### Write down the model and serial numbers.

You'll find them on a plate located on the rear wall of the Compact Kitchen

Please write these numbers here:

\_\_\_\_\_  
Date of Purchase

\_\_\_\_\_  
Model Number

\_\_\_\_\_  
Serial Number

Use these numbers in any correspondence or service calls concerning your Compact Kitchen

If you received a damaged Compact Kitchen, immediately contact the dealer (or builder) that sold you the Compact Kitchen

Save time and money. Before you call for service, check the Troubleshooting Guide. It lists causes of minor operating problems that you can correct yourself.

---

## IF YOU NEED SERVICE

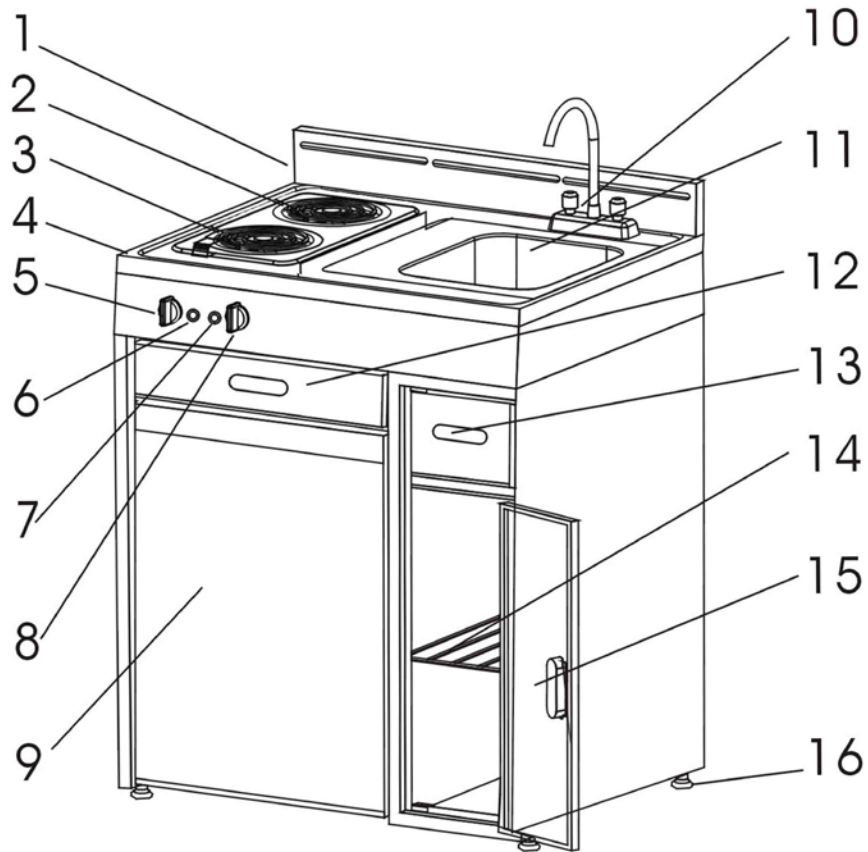
We're proud of our service and want you to be pleased. If for some reason you are not happy with the service you receive, here are some steps to follow for further assistance.

FIRST, contact the people who serviced your Compact kitchen. Explain why you are not pleased. In most cases, this will solve the problem.

NEXT, if you are still not pleased, write all the details, including your telephone number, and send it to:

**Customer Service**  
**Avanti Products**  
**10880 NW 30 Street**  
**Miami, FL 33172 USA**

## PARTS AND FEATURES



1. BACKSPLASH
2. REAR BURNER (500 WATTS)
3. FRONT BURNER (900 WATTS)
4. COOK-TOP
5. REAR BURNER POWER SWITCH / KNOB
6. REAR BURNER INDICATOR
7. FRONT BURNER INDICATOR
8. FRONT BURNER POWER SWITCH / KNOB
9. REFRIGERATOR
10. WATER FAUCET
11. SINK
12. DRAWER – LARGE
13. DRAWER – SMALL
14. WIRE SHELF
15. CABINET DOOR WITH INTEGRATED HANDLE
16. LEVELING LEGS

## IMPORTANT SAFETY INSTRUCTIONS

### ⚡WARNING⚡

To reduce the risk of fire, electrical shock, or injury when using your Compact Kitchen, follow these basic precautions:

- Read all instructions before using the Compact Kitchen.
- **DANGER or WARNING:** Risk of child entrapment.  
Child entrapment and suffocation are not problems of the past. Junked or abandoned appliances are still dangerous . . . even if they will “just sit in the garage a few days”.
- **Before you throw away your old refrigerator:** take off the doors. Leave the shelves in place so that children may not easily climb inside.
- Never allow children to operate, play with, or crawl inside the Compact Kitchen.
- Never clean Compact kitchen parts with flammable fluids. The fumes can create a fire hazard or explosion.
- Do not store or use gasoline or any other flammable vapors and liquids in the vicinity of this or any other appliance. The fumes can create a fire hazard or explosion.
- Proper Installation - Be sure your appliance is properly installed, per the manufacturer instructions.
- Never use your appliance for warming or heating the room.
- Do Not Leave Children Alone - Children should not be left alone or unattended in area where the appliance is in use. They should never be allowed to sit or stand on any part of the appliance.
- Wear Proper Apparel - Loose fitting or hanging garments should never be worn while using the appliance.
- User Servicing - Do not repair or replace any part of the appliance unless specifically recommended in the manual. All other servicing should be referred to a qualified technician.
- Storage in or on Appliance - Flammable materials should not be stored in the unit.
- Do Not Use Water on Grease Fires - Smother fire or flame or use dry chemical or foam-type extinguisher.
- Use Only Dry Potholders - Moist or damp potholders on hot surfaces may result in burns from steam. Do not let potholder touch hot heating elements. Do not use a towel or other bulky cloth.
- Use Proper Pan Size - This appliance is equipped with one or more surface units of different size. Select utensils having flat bottoms large enough to cover the surface unit heating element. The use of undersized utensils will expose a portion of the heating element to direct contact and may result in ignition of clothing. Proper relationship of utensil to burner will also improve efficiency.
- Never Leave Surface Units Unattended at High Heat Settings – Boil over causes smoking and greasy spillovers that may ignite.
- Make Sure Reflector Pans or Drip Bowls Are in Place - Absence of these pans or bowls during cooking may subject wiring or components underneath to damage.
- Protective Liners - Do not use aluminum foil to line surface unit drip bowls or oven bottoms, except as suggested in the manual. Improper installation of these liners may result in a shock or fire hazard.
- Glazed Cooking Utensils - Only certain types of glass, glass/ceramic, ceramic, earthenware, or other glazed utensils are suitable for range top service without breaking due to sudden change in temperature.
- Utensil Handles Should Be turned Inward and Not Extend Over Adjacent Surface Units – To minimize burns, ignition of flammable materials, and spillage due to unintentional contact with the utensil, the handle of a utensil should be positioned so that it is turned inward, and does not extend over adjacent surface units.
- Do Not Soak Removable Heating Elements – Heating elements should never be immersed in water.

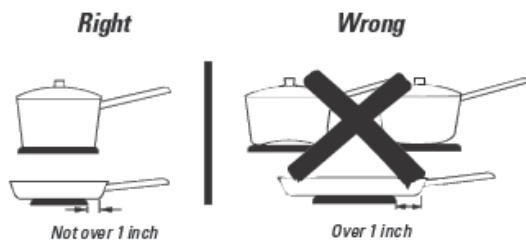
- Caution - Do not store items of interest to children in cabinets above a range or on the back guard of a range - children climbing on the range to reach items could be seriously injured.
- Do Not Touch Surface Units or Areas Near Units - Surface units may be hot even though they are dark in color. Areas near surface units may become hot enough to cause burns. During and after use, do not touch or let clothing or other flammable materials contact surface units or areas near units until they have had sufficient time to cool. Among these areas are the cook-top and surfaces facing the cook-top.
- When Replacing Your Faucet – For safety reasons don not use a spout longer than 150mm (6”).

**This Unit Is For Indoor Use Only  
-SAVE THESE INSTRUCTIONS-**

## ELECTRICAL INSTALLATION INSTRUCTIONS

The electrical installation shown below must be performed by a qualified and licensed electrician, following all of the electrical codes and ordinances required by the State.

- Select a designated power source to be used specifically for this unit.
- Make sure that the A/C power and the designated circuit breaker is turned off.
- Attach and secure conduit to the knockout hole of the junction box.
- You must make sure that the conduit is long enough to reach from the unit junction box to the power source selected.
- Take off the cover plate from the junction box to connect the stripped end of the wires to the receptacles of the junction box. Please follow the color codes of the wires to make sure that it is properly grounded.
- At the other end connect all wires to the power source and secure the conduit to the power receptacle, making sure that the colors of the wires are matched during the connection.
- Install or replace the cover plate to the junction box and turn ON the A/C from the source or circuit breaker.
- Then install the power cord of the refrigerator and the burners to the junction box of the unit.



**USE PROPER PAN SIZE -** This appliance is equipped with a standard size coiled burner.

Use cookware having flat bottoms large enough to completely cover the cooking surface. Selected cookware should not extend over 1 inch past the rim of the liner bowls.

### ⚠ WARNING ⚠

**THE USE OF OVERSIZED OR NON-FLAT BOTTOMED COOKWARE MAY CAUSE EXTENSIVE (NON-REPAIRABLE) DAMAGE TO THE SURFACES SURROUNDING THE COILED BURNERS.**

**FOR ALL MODELS  
DO NOT USE COOKWARE THAT:**

- OVER EXTENDS THE COOKING SURFACE.

**TOUCHES / CONTACTS OR RESTS ON AREA SURROUNDING COOKING SURFACE DURING USE AS THIS WILL TRANSFER HEAT TO THE AREA AND PRESENT A BURN HAZARD.**

**NOTICE:**

**DAMAGES TO YOUR APPLIANCE CAUSED BY THE USE OF IMPROPER COOKWARE IS CONSIDERED AS NON-COMPLIANCE WITH THE WRITTEN INSTRUCTION AS PROVIDED IN THIS MANUAL AND VOID ANY WARRANTY THAT MAY BE IN EFFECT. (See section: Your Avanti Products Warranty).**

## INSTALLATION INSTRUCTIONS

### ➤ Before Using Your Compact kitchen

- Remove the exterior and interior packing.
- Check to be sure you have all of the following parts:

#### **Kitchen Section**

- 1 Wire Shelf
- Strainer
- Strainer Plug
- Backsplash and Assembly Screws
- Instruction Manual

#### **Refrigerator Section**

- 2 wire shelves
- Instruction Manual

- Before connecting the refrigerator of your Compact Kitchen to the power source, let it stand upright for approximately 2 hours. This will reduce the possibility of a malfunction in the cooling system of the refrigerator from handling during transportation.
- Clean the interior surface with lukewarm water using a soft cloth.

### ➤ Energy Saving Tips

- The Compact kitchen should be located in the coolest area of the room, away from heat producing appliances, and out of the direct sunlight.

### ➤ Installation of Your Compact Kitchen

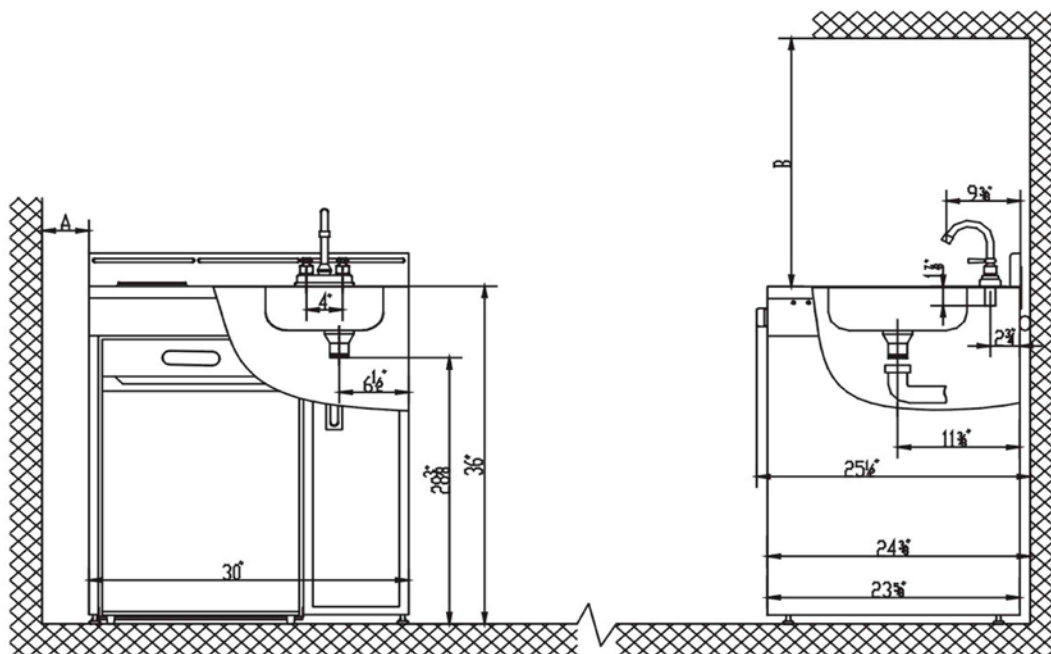


Figure No. 1

#### **NOTE:**

1. In order to remove shelves of refrigerator, a clearance A of 10 inches is required. When built-in, no clearance is required on either side.
2. B = 30 inches minimum clearance between the top of the cooking surface and the bottom of an unprotected wood or metal cabinet.

- To eliminate the risk of burns or fire by reaching over heated surface units, cabinet storage space located above the surface units should be avoided. If cabinet storage is to be provided, the risk can be reduced by installing a range hood that projects horizontally a minimum of 5 inches beyond the bottom of the cabinets.
- Place your Compact kitchen on a floor that is strong enough to support it when it is fully loaded as above picture. To level your Refrigerator, adjust the leveling legs at the bottom of the refrigerator.
- For satisfactory water drainage of the sink, and proper door functioning, it is important to level the appliance in both directions, using the leveling legs provided on the bottom of the cabinet for this purpose.
- Locate the Compact kitchen away from direct sunlight and sources of heat (heater, radiator, etc.). Direct sunlight may affect the acrylic coating and heat sources may increase electrical consumption. Extreme cold ambient temperatures may also cause the unit not to perform properly.
- Avoid locating the unit in moist areas.
- Do not under any circumstances cut or remove the third (ground) prong from the power cord of your refrigerator or burners. Any questions concerning power and/or grounding should be directed toward a certified electrician or an authorized Avanti Products service center.
- After connecting the appliance to the power supply, allow the Refrigerator to cool down for 2-3 hours before placing items in the compartment.

➤ **Electrical Connection**

**⚡WARNING⚡**

Improper connection of the equipment-grounding can result in the risk of electrical shock. If the power cord of the range or refrigerator is damaged, have it replaced by an authorized Avanti Products service center.

- The appliance must be installed and grounded by a qualified technician in accordance with the National Electrical Code ANSI/NFPA No. 70 (Latest Edition) and local electrical code requirements.
- The appliance is designed to be permanently connected with conduit.
- This appliance requires a standard 115/120 Volt AC ~/60Hz electrical power, and connected to an individual properly grounded branch circuit, protected by a 15 amp circuit breaker or time delay fuse.
- This unit should be properly grounded for your safety. The range and refrigerator power cords of the appliance are equipped with a grounded plug which is connected to the grounded permanent wiring system.
- Do not under any circumstances cut or remove the third ground lead from the AC supply. Any questions concerning power and/or grounding should be directed toward a certified electrician or an authorized Avanti Products service center.
- Remove house fuse or open circuit breaker before beginning installation.
- Do not attempt to repair or replace any part of the appliance unless it is specifically recommended in this manual. All other servicing should be referred to a qualified technician.
- To minimize the possibility of electric shock, disconnect this appliance from the A/C power supply before attempting any maintenance.
- Do not use extension cords for the connections of the range and refrigerator.

**NOTE:** *Turning the appliance off does not disconnect the appliance from the power supply. We recommend having a qualified technician service your appliance.*



## WARNING

The electrical installation shown below must be performed by a qualified and licensed electrician, following all of the electrical codes and ordinances required by the State.

### ➤ Power Supply Connections

- Prepare the wiring in accordance to the National Electrical Code and/or local codes and ordinances by a qualified electrician.
- Remove junction box cover. Remove 7/8 in. knockout for conduit connection.
- Secure conduit to the junction box with a conduit connector.
- Locate the two wires (white and black) of the unit with stripped ends. Use wire nuts to connect incoming white to white and black to black. Connect the incoming ground wire directly to ground screw of junction box.
- Replace junction box cover. Check to be sure that wires are not pinched under the unit.

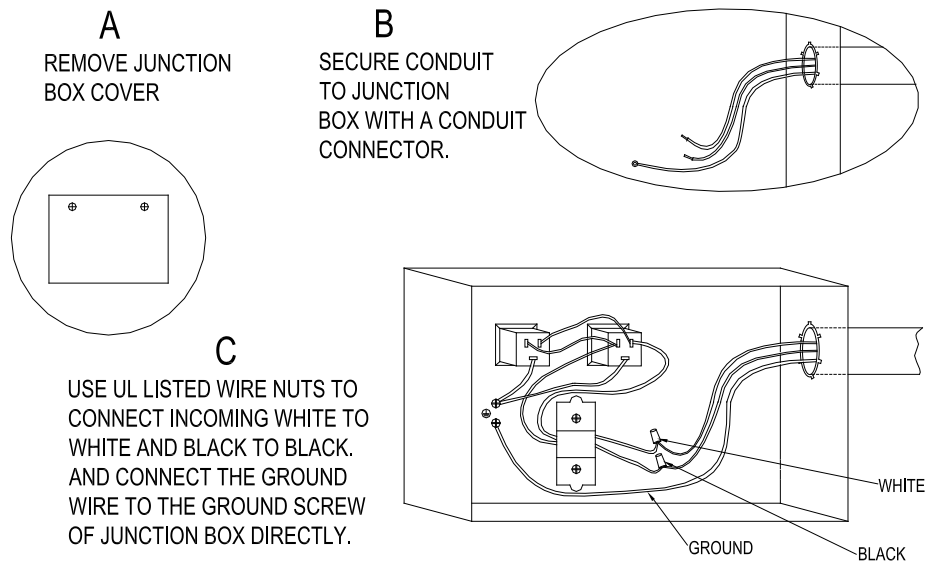


Figure No. 2

### ➤ Backsplash Installation

Install the backsplash to the kitchen cabinet as shown in Figure No. 3.

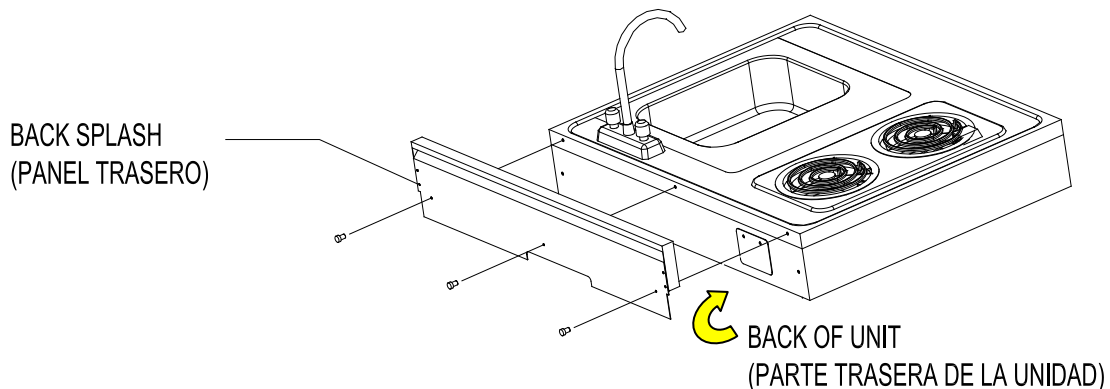


Figure No. 3

➤ **Water Faucet Installation And Water Line Connection**

Connection to the water supply must be performed by a professional licensed plumber and comply with all Local Codes and Ordinances.

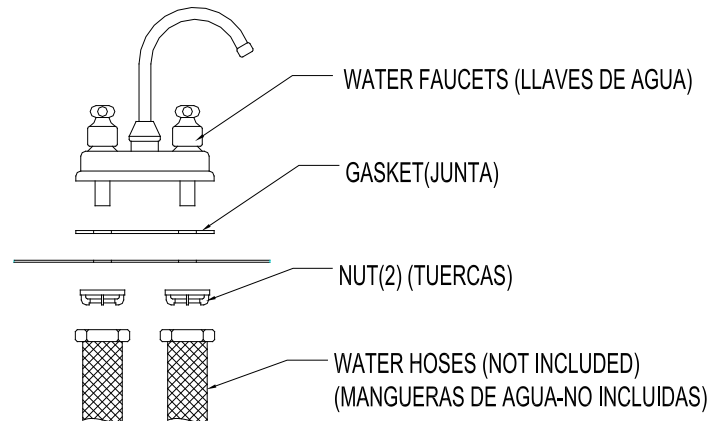
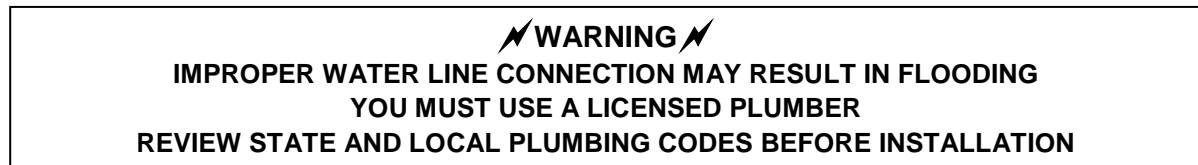


Figure No. 4

- Turn off the water supply.
- Install the water faucet as above picture.
- Connect the water supply hoses to the water faucet by matching cold to cold and hot to hot. Do not stretch the water supply hose. If the hose is too short, replace the hose with a longer, high-pressure hose.

➤ **Sink Strainer Installation And Water Drain**

Connection to the water sink must be performed by a professional licensed plumber and comply with all Local Codes and Ordinances.

- The sink strainer is already preassembled in the factory.
- Secure the water drain system to the sink strainer as below shown.

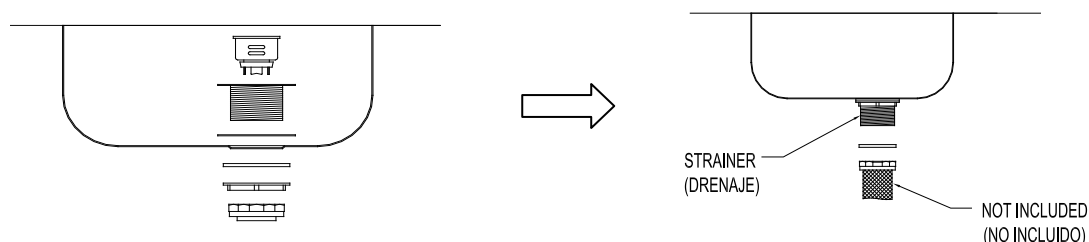


Figure No. 5

➤ **Installation Of Your Refrigerator**

**NOTE:** The refrigerator is supplied with a separate instruction manual. Please review prior to final installation of your Compact Kitchen.

- Disconnect the power supply. Failure to disconnect the appliance could result in electrical shock or personal injury.
- Connect the Refrigerator power supply cord to the receptacle in the junction box located at the back of kitchen cabinet under the countertop as shown in Figure No. 6.
- Slide the refrigerator into the kitchen cabinet by slightly lifting the rear part of refrigerator. Make sure the power supply cord is not kinked or damaged under the refrigerator.
- Secure refrigerator leveling legs in place using the bottom bracket notches as shown in Figure No. 6.

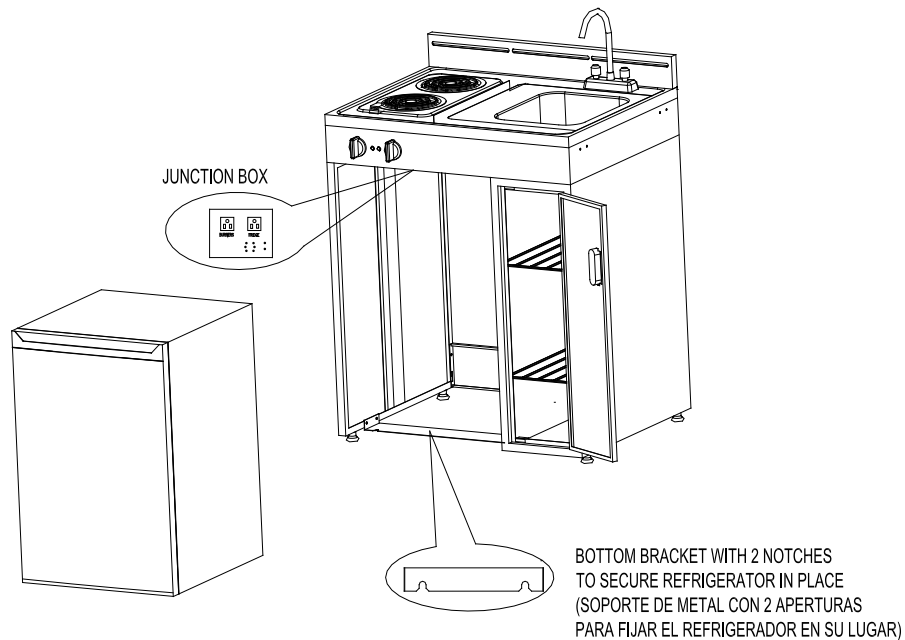


Figure No. 6  
Photo may vary

➤ **Installation Of Side Tray**

**NOTE:** Side tray is not a standard supplied part. If you need it, please contact Avanti Service Center to buy it using the form provided.

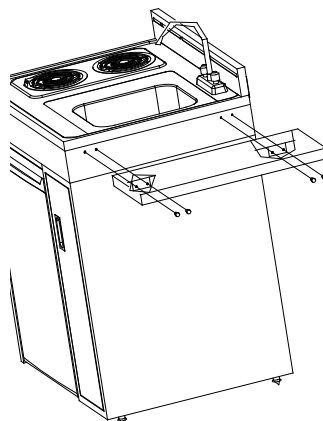


Figure No. 7  
Photo may vary

## OPERATING YOUR COMPACT KITCHEN

### ➤ Directions For Use Of Electrical Connection

The appliance is equipped with a junction box located under the countertop with two outlets. One outlet for burners and one outlet for refrigerator (see Figure No. 8). Once the unit is installed by a qualified electrician make sure that both, the burners and the refrigerator are properly connected to the box.

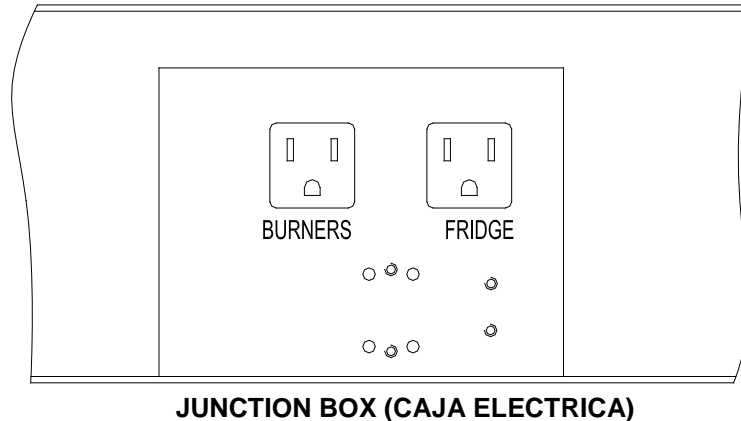


Figure No. 8

### ➤ Operating Your Refrigerator

The refrigerator is supplied with a separate instruction manual. Please find the details for how to operate the refrigerator inside.

### ➤ Operating Your Burners

Your compact kitchen comes with two burners (500W and 900W power input). To operate the burners simply push in and turn the knob to the desired position. These controls go from low to high power output, having a number of positions (see Figure No. 9).

When the burners are in operation the indicator light on the front panel will be lit regardless of the setting.

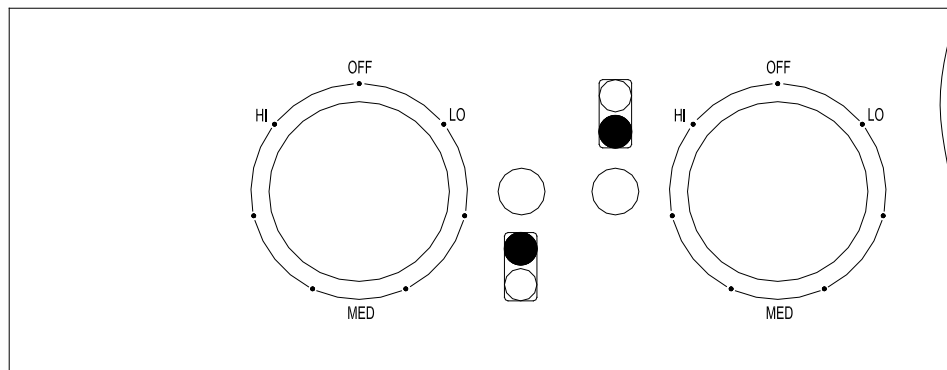


Figure No. 9

## CARE AND MAINTENANCE – COMPACT KITCHEN

### ➤ Cleaning Your Compact Kitchen

- Disconnect the A/C from the main power box or designated circuit breaker, turn off the Compact Kitchen, make sure all surface units are off and cool before removing anything, then remove all items including shelves and rack.
- Wash the inside surfaces with a warm water and baking soda solution. The solution should be about 2 tablespoons of baking soda to a quart of water.
- Wash the shelves and rack with a mild detergent solution.
- The outside of the Compact Kitchen should be cleaned with mild detergent and warm water.
- Wring excess water out of the sponge or cloth when cleaning area of the controls, or any electrical parts.
- Wash the outside cabinet with warm water and mild liquid detergent. Rinse well and wipe dry with a clean soft cloth.
- Do not use steel wool or steel brush on the cook-top.

### **CAUTION**

**FAILURE TO DISCONNECT THE APPLIANCE COULD RESULT IN ELECTRICAL SHOCK OR PERSONAL INJURY.**

### ➤ Cleaning Burners And Reflector Bowls

- Disconnect the A/C from the main power box or designated circuit breaker and turn off the Compact Kitchen to make sure that burners are off and cool before removing burners and reflector bowls.
- Removing the burners and reflector bowls as following:
  - Lift the edge of the burners opposite from the receptacle and pull them gently out of the mounting receptacles.
  - After the burners have been removed, the reflector bowls can be lifted out of their mountings.
- Clean the burners and reflector bowls with mild detergent and warm water. Wring excess water out of the sponge or cloth when cleaning them.
- Replace the burners and reflector bowls as following:
  - Line up the opening of the reflector bowls with the burners receptacle, hold the burners as level as possible with the terminals just positioned into the receptacle, then push the burners' terminals into the receptacles.
  - When the terminals are pushed into the receptacles as far as it will go, push down the edge of burners opposite the receptacle.

**NOTE:** Do not immerse burners in water or any other liquids.

### ➤ Power Failure

- Most power failures are corrected within a few hours and should not affect the temperature of your refrigerator if you minimize the number of times the door is opened. If the power is going to be off for a longer period of time, you need to take the proper steps to protect your contents.
- When power failures please make sure to turn all burners off.

### ➤ Vacation Time

- **Short vacations:** Leave the Refrigerator of Compact Kitchen operating during vacations of less than three weeks.
- **Long vacations:** If the appliance will not be used for several months, remove all items and turn off the power supply. Clean and dry the interior thoroughly. To prevent odor and mold growth, leave the door open slightly: blocking it open if necessary.

➤ **Moving Your Compact kitchen**

- Have a qualified electrician to disconnect the power supply and shut off the water supply.
- Use a qualified plumber to disconnect the water supply connections and water drain connection.
- Remove all items from the storage compartment.
- Unplug and remove the refrigerator out of the Compact Kitchen and move them separately.
- Securely tape down all loose items (shelves and basket) inside your Compact Kitchen Compartment and Refrigerator.
- Turn the adjustable feet up to the base to avoid damage.
- Tape the door shut.
- Be sure the Compact Kitchen and Refrigerator stay secure in the upright position during transportation. Also protect outside of Compact kitchen and Refrigerator with a blanket, or similar item.

### PROBLEMS WITH YOUR COMPACT KITCHEN?

You can solve many common Compact Kitchen problems easily, saving you the cost of a possible service call. Try the suggestions below to see if you can solve the problem before calling the servicer.

### TROUBLESHOOTING GUIDE

PROBLEM	POSSIBLE CAUSE
COMPACT KITCHEN does not operate.	Not connected to power supply. The circuit breaker tripped or blown fuse.
The Refrigerator does not operate	Not connected to power supply. The circuit breaker tripped or blown fuse. The temperature control knob is set in "OFF" position.
The Refrigerator turns on and off frequently.	The room temperature is hotter than normal. The door is opened too often. The door is not closed completely. The temperature control is not set correctly. The door gasket does not seal properly.
Vibrations.	Check to assure that the refrigerator is leveled.
The Refrigerator seems to make too much noise.	The rattling noise may come from the flow of the refrigerant, which is normal. As each cycle ends, you may hear gurgling sounds caused by the flow of refrigerant. Contraction and expansion of the inside walls may cause popping and crackling noises. The refrigerator is not leveled.
The refrigerator door will not close properly.	The refrigerator is not leveled. The gasket is dirty. The shelves are out of position.
Burners will not maintain a rolling boil or frying rate is not fast enough.	You must use pans that are absolutely flat. Pan bottom should closely match the diameter of the burners selected.
Foods cook slowly	Improper cookware being used.
Burners do not operate	The circuit breaker tripped or blown fuse. The burners are not plug in the receptacle all the way. The power switch knobs are not set correctly.
Burners control knobs will not turn	You are not pushing in before turning.

## SERVICE FOR YOUR COMPACT KITCHEN

We are proud of our customer service organization and the network of professional service technicians that provide service on your Avanti Products appliances. With the purchase of your Avanti Products appliance, you can be confident that if you ever need additional information or assistance, the Avanti Products Customer Service team will be here for you. Just call us toll-free.

### AVANTI PRODUCTS CUSTOMER SERVICES

Product Information 800-323-5029	Whatever your questions are about our products, help is available.
Part Orders 800-220-5570	You may order parts and accessories that will be delivered directly to your home by personal check, money order, Master Card, or Visa.
In-Home Repair Service 800-220-5570	An Avanti Products authorized service center will provide expert repair service, scheduled at a time that is convenient for you. Our trained servicers know your Compact kitchen inside and out.

**WHAT IS COVERED  
LIMITED ONE-YEAR  
WARRANTY**

For one year from the date of purchase by the original owner, Avanti Products will, at its option, repair or replace any part of the unit, which proves to be defective in material or workmanship under normal use. During this period Avanti Products will provide all parts and labor necessary to correct such defects free of charge, so long as the unit has been installed and operated in accordance with the written instructions in this manual. In rental or commercial use, the warranty period is 90 days. Avanti Products will provide you with a reasonably similar replacement product that is either new or factory refurbished. All Avanti Appliances of 3.5 cubic feet capacity or less must be brought/sent to the appliance service shop for repair.

**LIMITED SECOND THROUGH  
FIFTH YEAR WARRANTY**

For the second through the fifth year from date of original purchase, Avanti Products will provide a replacement compressor free of charge due to a failure. You are responsible for the service labor and freight charges. In rental or commercial use, the limited compressor warranty is one year and nine months. Cost to move the unit to the servicers' shop and back to the user's home, as may be required, are the user's responsibility.

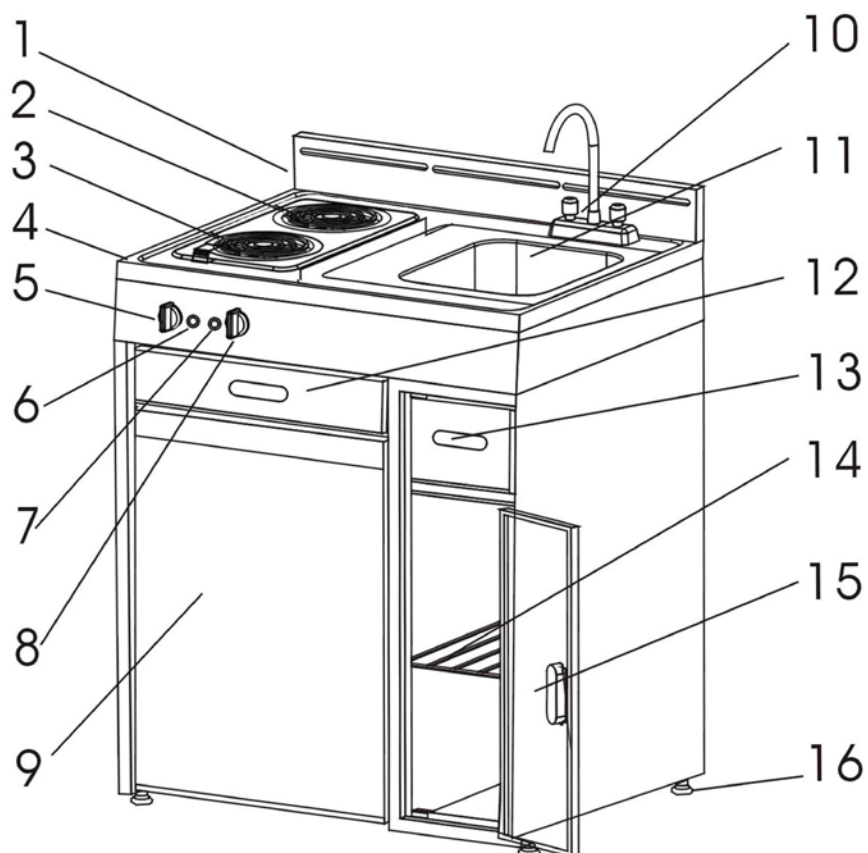
---

**WHAT IS NOT COVERED**

- Content losses of food due to spoilage.
- Incidental or consequential damages.
- Parts and labor costs for the following will not be considered as warranty:
  - Door springs, and/or frames.
  - Inner door panels, door rails and/or door supports.
  - Light bulbs and/or plastic housing.
  - Plastic cabinet liners.
  - Punctured evaporator that voids the warranty on the complete sealed system.
  - Shipping and handling costs associated with the replacement of the unit.
- Repairs performed by unauthorized servicers.
- Service calls that do not involve defects in material or workmanship such as customer education, door reversal, or proper installation.
- Service calls that are related to external problems, such as abuse, misuse, inadequate electrical power, accidents, fire, floods, or acts of God.
- Surcharges including but not limited to, any after hour, weekend, or holiday service calls, tolls, ferry trip charges, or mileage expenses for service calls to remote areas, including the State of Alaska.
- Replacement of house fuses or resetting circuit breakers.
- Failure of the product if it is used for other than its intended purpose.
- This warranty does not apply outside the Continental USA.



## CARACTERISTICAS



1. PANEL TRASERO
2. HORNILLA TRASERA DE 500 VATIOS
3. HORNILLA FRONTAL DE 900 VATIOS
4. GABINETE
5. CONTROL DE TEMP (DE LA HORNILLA TRASERA)
6. LUZ INDICADORA (DE LA HORNILLA TRASERA)
7. LUZ INDICADORA (DE LA HORNILLA FRONTAL)
8. CONTROL DE TEMP (DE LA HORNILLA FRONTAL)
9. REFRIGERADOR
10. FUENTE DE AGUA
11. FREGADERO
12. GAVETA GRANDE
13. GAVETA PEQUEÑA
14. PARILLA DEL GABINETE
15. PUERTA DEL GABINETE

## INSTRUCCIONES EN ESPAÑOL

<b>PRECAUCIÓN</b>	Para reducir el riesgo de incendio, descarga eléctrica, o daño cuando use su electrodoméstico, siga las siguientes precauciones.
<ul style="list-style-type: none"><li>• Lea todas las instrucciones antes de usar su electrodoméstico.</li><li>• Peligro o Precaución: Existe el riesgo que los niños queden atrapados.</li><li>• Niños atrapados o sofocamiento no son un problema del pasado. Los electrodomésticos son peligrosos aún si solo los deja en el garaje por un par de días.</li><li>• Antes de desechar su electrodoméstico o refrigerador usado: quítele las puertas. Deje las repisas en su lugar para evitar que los niños se queden atrapados.</li><li>• No permita que los niños manejen, jueguen o entren dentro del electrodoméstico.</li><li>• No limpie su electrodoméstico con líquidos inflamables. Los gases pueden ocasionar fuego o una explosión.</li><li>• No guarde ni use gasolina u otros líquidos inflamables cerca de este o de cualquier otro electrodoméstico. Los vapores pueden ocasionar fuego o explosión.</li></ul> <p>- <u>Guarde estas instrucciones</u>-</p>	

## ADVERTENCIA

La conexión de la caja eléctrica debe ser realizada por un electricista profesional y licenciado. También debe cumplir con los códigos locales y estatales.

## INSTRUCCIONES PARA LA INSTALACION ELECTRICA.

Primeramente seleccione el receptáculo donde la unidad va a ser conectada.

Asegúrese que la corriente eléctrica del receptáculo que se va a usar esté propiamente desconectada antes de comenzar la instalación. Este receptáculo debe ser usado exclusivamente para esta unidad.

Instale y asegure el conducto eléctrico de metal flexible al orificio de la caja eléctrica de la unidad.

Use un conducto eléctrico de metal flexible (Greenfield) suficientemente largo para llegar desde la unidad hasta el receptáculo de la pared.

Remueva la tapa de la caja eléctrica de la unidad, introduzca los alambres a través del conducto de metal y conecte los alambres a los receptáculos siguiendo los códigos de colores. Asegúrese también de tener la conexión a tierra.

Al otro extremo del conducto eléctrico de metal (Greenfield) asegúrese de conectar al receptáculo de la pared los alambres siguiendo los códigos de colores. Asegúrese de hacer la conexión a tierra.

Reemplace o instale la tapa de la caja eléctrica y conecte el cable de las hornillas y del refrigerador a los receptáculos propiamente designados en la caja eléctrica para su instalación.

### **INSTALACION DEL REFRIGERADOR**

Retire los (plásticos protectores, y tiras engomadas). Limpie el exterior con un trapo suave y seco, y el interior con un trapo húmedo y tibio.

## **UBICACION**

1. Seleccione un lugar con un piso firme y nivelado.
2. Para un mejor desempeño, nivele el refrigerador utilizando las patas ajustables o tornillos niveladores. Para verificar el nivel, abra la puerta hasta la mitad, debe regresar sola.

## **INSTRUCCIONES PARA LA CONECCION A TIERRA**

Este aparato electrodoméstico debe estar conectado a tierra. En caso de un cortocircuito eléctrico, la conexión a tierra reduce el riesgo de choque eléctrico proporcionando un cable de escape para la corriente eléctrica.

Asegúrese de usar un plomero certificado para la conectar el agua a la unidad.

## **NO USE UN CORDON DE EXTENSION**

Use un tomacorriente de pared exclusivo.

Nunca junto a cualquier otro electrodoméstico en el mismo tomacorriente de pared.

## **ADVERTENCIA IMPORTANTE:**

Un refrigerador vacío es una atracción muy peligrosa para los niños. Quite los sellos magnéticos, puertas o cerraduras de todo electrodoméstico que esté en uso.

## **OPERACION**

El tomacorriente usado debe ser 115-120v con fusible o protección de 15 AMP ó más.

Para evitar vibraciones, la unidad debe estar bien nivelada.

Para encender el refrigerador, gire el control de temperatura a la posición que corresponda al enfriamiento deseado. Bajo condiciones normales mueva el control a la posición " 4 ".

De otra manera ajuste la temperatura siguiendo las indicaciones señaladas en los gráficos.

## **CONTROL DE TEMPERATURAS**

El control de temperaturas está localizado en el interior del refrigerador. Cuando conecte su refrigerador por la primera vez se recomienda que el botón del control se coloque en la posición " 4 ". Deje el refrigerador trabajar por 20 minutos. La perilla de control se puede graduar desde la posición más calurosa hasta la más fría. Después de un día o dos usted decidirá si el control está graduado correctamente. Hay 8 posiciones incluyendo " OFF ". En la posición " OFF " el motor parará pero la unidad se mantendrá aun con corriente .

## **PERDIDA DE LA FUENTE ELECTRICA**

La mayoría de las pérdidas de la fuente eléctrica son solucionadas en pocas horas y no afectan el funcionamiento de su unidad. Minimice el abrir y cerrar la puerta durante ese periodo de tiempo. Si la pérdida de la fuente eléctrica se extiende a muchas horas, siga los pasos necesarios para proteger el contenido de su refrigerador.

## **CUIDADOS EN LOS PERIODOS DE AUSENCIA**

Para cortos periodos de ausencia (menos de 21 días) la unidad podrá quedar funcionando.

En periodos de ausencia más largos, se aconseja dejar la unidad limpia y desconectada.

Saque todo lo que tenga adentro de la unidad y haga y la limpieza general.

Deje la puerta entreabierta para que penetre el aire y así evitar la formación de olores.

## **ECONOMIA DE ENERGIA**

Evite dejar por mucho tiempo la puerta abierta.

Evite aperturas frecuentes de la puerta.

Coloque el botón de control de temperaturas en la posición adecuada.

## **SI USTED SE VA DE VACACIONES**

Saque todos los artículos de la unidad si Ud. se va de vacaciones por un mes o más.

Desconecte el refrigerador del tomacorriente de la caja eléctrica y límpielo bien.

Deje la puerta abierta para evitar la formación de olores, condensación o moho.

## **COMO CAMBIAR LA DIRECCION DE APERTURA DE LA PUERTA**

En caso de que necesite cambiar el lado de apertura de la puerta, por favor consulte al servicio pos-venta de su localidad o al empleado que le vendió la unidad.

## **PREPARANDO SU COCINA PARA UTILIZARLA POR PRIMERA VEZ**

Coloque el panel trasero utilizando los 3 tornillos incluidos (vea Figura 3).

## **CONEXION DE LA FUENTE DE AGUA**

### **ADVERTENCIA**

La conexión de la fuente de agua debe ser realizada por un plomero profesional y licenciado. También debe cumplir con los códigos locales y estatales.

- Cierre la llave maestra del agua.
- Instale las llaves de agua (vea figura 4).
- Conecte las mangueras de suministro de agua (no incluidas a las llaves. Primero la de agua fría, haga lo mismo con el agua caliente).

## **CONEXION DE DRENAJE (FREGADERO)**

- El filtro viene instalado de fábrica.
- Asegure el sistema de drenaje (vea Fig 5).

## **INSTALACION DEL REFRIGERADOR**

Su refrigerador viene equipado con su propio manual de instrucciones. Por favor léalo antes de colocar el refrigerador en la posición que le corresponde.

Este aparato viene equipado con su propio AC cable. Conecte este cable al receptáculo marcado "Fridge" en la caja eléctrica localizada debajo del gabinete superior de acero inoxidable y hacia la parte posterior. Mueva el refrigerador hacia el espacio designado levantándolo por la parte trasera. Asegúrese que el cordón no se trabe debajo del refrigerador.

Para fijar el refrigerador en su lugar use las aperturas del soporte de metal (vea Fig 6).

## **CAJA ELECTRICA**

Esta unidad viene equipada con una caja eléctrica (vea Fig 8) debajo del gabinete superior. La caja tiene 2 receptáculos, uno marcado "Fridge" donde se conecta el cordón del refrigerador y otro marcado "Burners" para las hornillas. Este último ya viene conectado desde la planta.

## **FUNCIONAMIENTO DEL REFRIGERADOR**

Lea las instrucciones colocadas dentro de la unidad.

## **FUNCIONAMIENTO DE LAS HORNILLAS**

Conecte su mini-cocina al receptáculo de la pared (120V AC/60 ciclos), usando el cordón de la caja eléctrica. (El cordón de las hornillas ha sido conectado en la planta, antes de entregarle su cocina).

Su cocina viene con dos hornillas (500 vatios y 900 vatios). Para encender las hornillas, presione y gire el control a la posición deseada.

Los controles de temperatura van de bajo a alto poder. Cuando las hornillas están encendidas, los indicadores de luz localizados en el panel frontal se encenderán.

Para prevenir daños, use la olla y sartén correctas, empiece la cocción en la temperatura más alta y luego baje el control de temperatura para continuar la cocción. Nunca deje una olla o sartén vacía en la hornilla caliente, o una en la que el líquido se haya evaporado. La olla o sartén podría sobrecalentarse y dañarse o dañar la superficie de la hornilla.

Asegúrese que todos los botones de control estén apagados (OFF) y que las luces indicadoras estén apagadas (OFF) cuando no esté cocinando.

## CUIDADO Y MANTENIMIENTO

### INFORMACION GENERAL

**PRECAUCION:** Desconecte la unidad del suministro eléctrico antes de limpiar o dar mantenimiento.

- Es aconsejable limpiar la unidad cuando esta esté fría, especialmente cuando vaya a limpiar las partes esmaltadas.
- Evite usar productos de limpieza que contengan una base de cloro o ácido.

**IRREGULARIDADES CON EL FUNCIONAMIENTO DEL REFRIGERADOR**

<b>PROBLEMA</b>	<b>CAUSAS PROBABLES</b>	<b>SOLUCION</b>
El refrigerador no funciona.	Falta de energía. Tomacorriente defectuoso. Control de temperaturas en la posición " O ". Enchufe desconectado.	Verifique el fusible. Substitúyalo o arréglelo. Girar el botón en la posición correcta. Conéctelo.
La refrigeración es insuficiente.	Botón de control de temperatura en la posición incorrecta. Elevada frecuencia de apertura de la puerta.	Observe las instrucciones.  Evite abrir la puerta demasiado.
Ruidos anormales.	Expansión del gas en el evaporador. Tubos en contacto con gabinetes o paredes.	Normal.  Aléjelos.
El refrigerador no funciona		Enchufe el cordón del refrigerador en la caja eléctrica a la posición marcada "Fridge".

**IRREGULARIDADES CON EL FUNCIONAMIENTO DE LAS HORNILLAS**

<b>PROBLEMA</b>	<b>CAUSAS PROBABLES</b>	<b>SOLUCION</b>
Olor a quemado	Acumulación de residuo de alimentos en las hornillas	Limpie las hornillas
Las hornillas no encienden	La unida esta desconectada adentro.	Enchufe el cordón de las hornillas en la caja eléctrica.
Solamente un elemento se calienta.	El control de temperatura para la hornilla correspondiente no esta encendido.	Seleccione el control de temperatura que le corresponde.
Nada funciona	Todos los cordones están desconectados.  Fusible defectuoso.	La unidad no esta conectada al enchufe de la pared. La caja eléctrica tiene los receptáculos abiertos. Reemplazar fusible.

## Registration Information

Thank you for purchasing this fine Avanti product. Please fill out this form and return it to the following address within 100 days from the date of purchase and receive these important benefits:

**Avanti Products, LLC.**  
**P.O.Box 520604 – Miami, Florida 33152**

➤ **Protect your product:**

We will keep the model number and date of purchase of your new Avanti product on file to help you refer to this information in the event of an insurance claim such as fire or theft.

➤ **Promote better products:**

We value your input. Your responses will help us develop products designed to best meet your future needs.

------(detach here)-----

### Avanti Registration Card

Name		Model #	Serial #
Address		Date Purchased	Store / Dealer Name
City	State	Zip	E-mail Address
Area Code	Phone Number		Occupation
Did You Purchase An Additional Warranty		As your Primary Residence, Do You:	
<input type="checkbox"/> Extended <input type="checkbox"/> None		<input type="checkbox"/> Own <input type="checkbox"/> Rent	
Reason for Choosing This Avanti Product: Please indicate the most important factors That influenced your decision to purchase this product:		Your Age:	
<input type="checkbox"/> Price <input type="checkbox"/> Product Features <input type="checkbox"/> Avanti Reputation <input type="checkbox"/> Product Quality <input type="checkbox"/> Salesperson Recommendation <input type="checkbox"/> Other: _____ <input type="checkbox"/> Friend / Relative Recommendation <input type="checkbox"/> Warranty <input type="checkbox"/> Other: _____		<input type="checkbox"/> under 18 <input type="checkbox"/> 18-25 <input type="checkbox"/> 26-30 <input type="checkbox"/> 31-35 <input type="checkbox"/> 36-50 <input type="checkbox"/> over 50	
Comments:		Marital Status: <input type="checkbox"/> Married <input type="checkbox"/> Single	
		<b>Is This Product Used In The:</b> <input type="checkbox"/> Home <input type="checkbox"/> Business	
		<b>How Did You Learn About This Product:</b> <input type="checkbox"/> Advertising <input type="checkbox"/> In-Store Demo <input type="checkbox"/> Personal Demo	

**CK3016 - 08142013**

**PRINTED IN CHINA**



## Free Manuals Download Website

<http://myh66.com>

<http://usermanuals.us>

<http://www.somanuals.com>

<http://www.4manuals.cc>

<http://www.manual-lib.com>

<http://www.404manual.com>

<http://www.luxmanual.com>

<http://aubethermostatmanual.com>

Golf course search by state

<http://golfingnear.com>

Email search by domain

<http://emailbydomain.com>

Auto manuals search

<http://auto.somanuals.com>

TV manuals search

<http://tv.somanuals.com>