



4600 Series IP Telephone Installation Guide

555-233-128
Issue 6
February 2007

© 2007 Avaya Inc.
All Rights Reserved.

Notice

While reasonable efforts were made to ensure that the information in this document was complete and accurate at the time of printing, Avaya Inc. can assume no liability for any errors. Changes and corrections to the information in this document may be incorporated in future releases.

For full legal page information, please see the complete document, Avaya Legal Page for Hardware Documentation, Document number 03-600759.

To locate this document on our Web site, simply go to <http://www.avaya.com/support> and search for the document number in the search box.

Documentation disclaimer

Avaya Inc. is not responsible for any modifications, additions, or deletions to the original published version of this documentation unless such modifications, additions, or deletions were performed by Avaya. Customer and/or End User agree to indemnify and hold harmless Avaya, Avaya's agents, servants and employees against all claims, lawsuits, demands and judgments arising out of, or in connection with, subsequent modifications, additions or deletions to this documentation to the extent made by the Customer or End User.

Link disclaimer

Avaya Inc. is not responsible for the contents or reliability of any linked Web sites referenced elsewhere within this documentation, and Avaya does not necessarily endorse the products, services, or information described or offered within them. We cannot guarantee that these links will work all of the time and we have no control over the availability of the linked pages.

Warranty

Avaya Inc. provides a limited warranty on this product. Refer to your sales agreement to establish the terms of the limited warranty. In addition, Avaya's standard warranty language, as well as information regarding support for this product, while under warranty, is available through the following Web site:

<http://www.avaya.com/support>

Copyright

Except where expressly stated otherwise, the Product is protected by copyright and other laws respecting proprietary rights. Unauthorized reproduction, transfer, and or use can be a criminal, as well as a civil, offense under the applicable law.

Avaya support

Avaya provides a telephone number for you to use to report problems or to ask questions about your product. The support telephone number is 1-800-242-2121 in the United States. For additional support telephone numbers, see the Avaya Web site:

<http://www.avaya.com/support>

Software License

USE OR INSTALLATION OF THE PRODUCT INDICATES THE END USER'S ACCEPTANCE OF THE TERMS SET FORTH HEREIN AND THE GENERAL LICENSE TERMS AVAILABLE ON THE AVAYA WEBSITE AT <http://support.avaya.com/LicenseInfo/> ("GENERAL LICENSE TERMS"). IF YOU DO NOT WISH TO BE BOUND BY THESE TERMS, YOU MUST RETURN THE PRODUCT(S) TO THE POINT OF PURCHASE WITHIN TEN (10) DAYS OF DELIVERY FOR A REFUND OR CREDIT.

Avaya grants End User a license within the scope of the license types described below. The applicable number of licenses and units of capacity for which the license is granted will be one (1), unless a different number of licenses or units of capacity is specified in the Documentation or other materials available to End User. "Designated Processor" means a single stand-alone computing device. "Server" means a Designated Processor that hosts a software application to be accessed by multiple users. "Software" means the computer programs in object code, originally licensed by Avaya and ultimately utilized by End User, whether as stand-alone Products or pre-installed on Hardware. "Hardware" means the standard hardware Products, originally sold by Avaya and ultimately utilized by End User.

License Type(s):

Designated System(s) License (DS). End User may install and use each copy of the Software on only one Designated Processor, unless a different number of Designated Processors is indicated in the Documentation or other materials available to End User. Avaya may require the Designated Processor(s) to be identified by type, serial number, feature key, location or other specific designation, or to be provided by End User to Avaya through electronic means established by Avaya specifically for this purpose.

Third-party Components

Certain software programs or portions thereof included in the Product may contain software distributed under third party agreements ("Third Party Components"), which may contain terms that expand or limit rights to use certain portions of the Product ("Third Party Terms"). Information identifying Third Party Components and the Third Party Terms that apply to them is available on Avaya's Web site at:

<http://support.avaya.com/ThirdPartyLicense/>

Interference

Using a cell, mobile, or GSM telephone, or a two-way radio in close proximity to an Avaya IP Telephone might cause interference.

Contents

Chapter 1: Introduction	7
About This Guide	7
Intended Audience.	8
Document Organization	8
Change History	9
What's New in This Release.	10
Terms Used in This Guide.	11
Conventions Used in This Guide	12
Symbolic Conventions	12
Typographic Conventions.	12
Online Documentation.	13
Related Documents	13
Customer Support	16
Chapter 2: 4600 Series IP Telephone Installation	17
Introduction	17
IP Telephone Models	18
Software	18
Pre-Installation Checklist	19
Assembling the 4600 Series IP Telephone	22
Powering the 4600 IP Telephone	22
Dynamic Addressing Process	36
Ethernet Activation	37
802.1X Supplicant Authentication	37
DHCP Processing	38
TFTP/HTTP Processing	39
Media Server Registration.	40
Downgrading Avaya IP Telephones (H.323 Only)	41
Converting Software on Avaya 4600 Series IP Telephones.	42
Converting 4602+/4610SW/4620SW/4621SW IP Telephones	43
Unnamed Registration.	45
802.1X Supplicant Operation	45

Chapter 3: Local Administrative Options	47
Introduction	47
Entering Data for Administrative Options	48
Entering Data for the 4601 IP Telephone	50
About Local Administrative Procedures	51
Set the 802.1X Operational Mode	53
Pre-Installation Checklist for Static Addressing	54
Static Addressing Installation.	54
Disable/Enable Automatic Gain Control	58
Visual/Audible Alerting Procedure	59
Manually Setting the DHCP Client Hardware Address	61
Clear Procedure	62
Adjusting the Contrast Control	64
Computer-Telephony Integration (CTI) Enable/Disable	65
Enabling/Disabling the FKEU (XMOD) Interface	66
Group Identifier	67
Interface Control	68
Disable/Enable Event Logging	71
Logoff.	72
Turning Off the Backlight	73
QoS Option Setting	73
Reset System Values	75
Restart the Telephone	76
Signaling Protocol Identifier	77
Site-Specific Option Number Setting	79
Setting L2Q Tagging Control (4601 Only)	80
Self-Test Procedure	81
Chapter 4: Troubleshooting Guidelines	83
Introduction	83
Error Conditions	83
DTMF Tones	84
Power Interruption	84
The View Administrative Option	85
Error and Status Messages	88
Troubleshooting the 4601 IP Telephone	92

Appendix A: Restart Scenarios	95
Scenarios for the Restart Process	95
Restart the Telephone	95
Boot File Needs to be Upgraded	96
Latest Boot File Loaded/No Application File or Application File Needs to be Upgraded	99
Latest Boot File and System-Specific Application File Already Loaded	101
Index	103

Contents

6 4600 Series IP Telephone Installation Guide

Chapter 1: Introduction

About This Guide

This guide describes how to install the 4600 Series IP Telephone product line and troubleshoot problems with the telephones.

The 4600 Series IP Telephone product line supports two signaling protocols, the Session Initiation Protocol (SIP) and the H.323 protocol. The chart below shows the 4600 Series IP Telephone models and the protocol(s) they support.

IP Telephone Model	H323 Protocol Supported?	SIP Protocol Supported?
4601	Yes	No
4601+	Yes	No
4602	Yes	Yes
4602SW	Yes	Yes
4602SW+	Yes	Yes
4606	Yes	No
4610SW	Yes	Yes
4612	Yes	No
4620	Yes	No
4620SW	Yes	Yes
4621SW	Yes	Yes
4622SW	Yes	No
4624	Yes	No
4625SW	Yes	No
4630	Yes	No
4630SW	Yes	No
4690	Yes	No

Introduction

Sets that support both protocols, for example, the 4610SW, do not support each protocol simultaneously. Instead, a given telephone must be loaded with software that supports one protocol or the other.

Telephones with H.323 software work only with Avaya Communication Manager call servers. Telephones with SIP software are supported only in Avaya server environments.

Note:

Unless otherwise indicated, references in this document to the DEFINITY[®] servers also refer to MultiVantage[™] media servers.

Intended Audience

This document is intended for personnel who install the 4600 Series IP Telephones.

 **CAUTION:**

Avaya does not support many of the products mentioned in this document. Take care to ensure that there is adequate technical support available for the servers involved, including, but not necessarily limited to, TFTP, DHCP, and SIP Registration servers. If the TFTP, DHCP, or other servers are not functioning correctly, the IP telephones might not be able to operate correctly.

Document Organization

The guide contains the following sections:

Chapter 1: Introduction	Provides an overview of the <i>4600 Series IP Telephone Installation Guide</i> .
Chapter 2: 4600 Series IP Telephone Installation	Describes the equipment and resources required to properly install and operate the 4600 Series IP Telephones. Provides instructions on installing the telephones out of the box.
Chapter 3: Local Administrative Options	Describes how to set local administrative options, if requested by the system or LAN administrator.
Chapter 4: Troubleshooting Guidelines	Describes error conditions and messages that might occur during the installation of the 4600 Series IP Telephones.
Appendix A: Restart Scenarios	Explains the different scenarios possible for the sequence of the restart process.

Change History

Issue 1.0	This document was issued for the first time in November 2000.
Issue 1.1	This version of the document, revised and issued in April 2001, supports through DEFINITY® Release 9.
Issue 1.5	This version of the document, revised and issued in June, 2001, supports through DEFINITY® Release 9.5.
Issue 1.6	This version of the document, revised and issued in December, 2001, supports through DEFINITY® Release 10. This version also supports the 4630 IP Telephone's addition to the 4600 Series IP Telephone product line.
Issue 1.7	This version of the document, issued in July, 2002, supports through Avaya Communication Manager Release 1.1. This version also supports the 4602 and 4620 IP Telephones' addition to the 4600 Series IP Telephone product line.
Issue 1.8	This version of the document, revised and issued in June, 2003, supports through Avaya Communication Manager Releases 1.2 and 1.3. This version also supports the 4602SW and 4630SW IP Telephones' addition to the 4600 Series IP Telephone product line.
Issue 2.0	This version of the document, revised and issued in December, 2003, supports through Avaya Communication Manager Release 2.0. This version also supports the addition of the 4610SW and 4620SW IP Telephones, and the 4690 IP Conference Telephone to the 4600 Series IP Telephone product line.
Issue 2.1	This version of this document was revised and issued in July, 2004. This version supports through Avaya Communication Manager Release 2.1. This version also introduces the 4601 IP Telephone.
Issue 2.2	This version of this document was revised and issued in April, 2005. This version supports through Avaya Communication Manager Release 2.2. This version also introduces the 4621SW, 4622SW, and 4625SW IP Telephones.
Issue 2.2.1	This version was revised and issued in August, 2005. This version introduces the SIP IP telephones.
Issue 3	This version was revised and issued in April, 2006. This version supports through Avaya Communication Manager Release 3.1. This version introduces unnamed registration and three local procedures, LOG, AGC, and FKEU.
Issue 4	This version was revised and issued in August, 2006. This version supports through Avaya Communication Manager Release 3.1 and IP Telephone Software Release 2.6. This version introduces 802.1X Supplicant support, Link Layer Discovery Protocol (LLDP), and power conservation mode. This issue introduces new telephone models 4601+ and 4602SW+, which replace the 4601 and 4602/4602SW, respectively, from Release 2.6 and up.
Issue 5	This version was revised and issued in November, 2006. This version supports through Avaya Communication Manager Release 3.1 and IP Telephone Software Release 2.7. This version introduces additional Unicode languages, support for dialpad-activated Web links, the capability to turn off the display backlight, several new system parameters, and two new local procedures.
Issue 6	This is the current version of this document, revised and issued in February, 2007. This version supports through Avaya Communication Manager Release 4.0 and IP Telephone Software Release 2.8. This version includes support for increased filtering of IP Addresses, more control over audible/non-audible Ringer/Click settings, and other enhancements as described in What's New in This Release .

What's New in This Release

New material in this issue to support Release 2.8 software includes:

- IP Source Addresses can be filtered for additional security (System parameter FILTERLIST).
- Non-audible alerting can be allowed or prevented (System parameter AUDASYS).
- HTTP/HTTPS file servers now support backup/restore operations.
- The port number for HTTP/HTTPS file downloads is now configurable (System parameter HTTPPORT).
- The pathname for HTTP/HTTPS servers can now be specified (System parameter HTTPDIR).
- Support for RFC 1948, *Defending Against Sequence Number Attacks*, has been added for increased TCP security.
- The IP Endpoint Time-to-Service (TTS) feature, is introduced in the Release 2.8. TTS, along with the Communication Manager 4.0 release, changes the way IP endpoints register with their gatekeeper by decoupling registration and establishment of TCP sockets, reducing the time to come into service. Please refer to the document, *Administrator Guide for Avaya Communications Manager (03-300509)*, for further information.

Terms Used in This Guide

802.1Q	802.1Q defines a layer 2 frame structure that supports VLAN identification and a QoS mechanism usually referred to as 802.1D.
802.1D	
802.1X	Authentication method for a protocol requiring a networking device to authenticate with a back end Authentication Server before gaining network access. Applicable 4600 Series IP telephones support IEEE 802.1X as a Supplicant with the EAP-MD5 authentication method.
ARP	Address Resolution Protocol, used to verify that the IP Address provided by the DHCP server is not in use by another IP telephone.
CLAN	Control LAN, type of TN799 circuit pack.
DHCP	Dynamic Host Configuration Protocol, an IETF protocol used to automate IP Address allocation and management.
DiffServ	Differentiated Services, an IP-based QoS mechanism.
IETF	Internet Engineering Task Force, the organization that produces standards for communications on the internet.
LAN	Local Area Network.
LLDP	Link Layer Discovery Protocol. All IP Telephones with an Ethernet interface support the transmission and reception of LLDP frames on the Ethernet line interface in accordance with IEEE standard 802.1AB.
MAC	Media Access Control, ID of an endpoint
PAE	Port Access Entity. The protocol entity associated with a port. The PAE supports the protocol functionality associated with the authenticator, supplicant, or both.
QoS	Quality of Service, used to refer to several mechanisms intended to improve audio quality over packet-based networks.
RRQ	Read Request packet. A message sent from the 4600 Series IP Telephone to the TFTP server, requesting to download the upgrade script and the application file.
SES	SIP Enablement Services. Supports the deployment of duplicated servers with synchronized databases.
SIP	Session Initiation Protocol. An IETF standard protocol for IP communication. SIP enables IP telephony gateways, client endpoints, PBXs, and other communication systems or devices to communicate with each other. SIP mainly addresses the call setup and tear down mechanisms of sessions and is independent of the transmission of media streams between caller and callee. SIP is an alternative to H.323 for VoIP signaling.
Supplicant	An entity at one end of a point-to-point LAN segment that is being authenticated by an authenticator at the other end of that link.
TCP/IP	Transmission Control Protocol/Internet Protocol, a network-layer protocol used on LANs and internets.
Time-to-Service (TTS)	A new feature with Communication Manager 4.0, IP Endpoint Time-to-Service (TTS) decouples gatekeeper H.323 registration from TCP socket establishment for call signaling, thus reducing the time for the endpoint to come into service.
TFTP	Trivial File Transfer Protocol, used to provide downloading of upgrade scripts and application files to the IP telephones.
UDP	User Datagram Protocol, a connectionless transport-layer protocol.
Unnamed Registration	Registration with Avaya Communication Manager by an IP telephone with no extension. Unnamed registration is typically used to limit outgoing calling.
VLAN	Virtual LAN.

Conventions Used in This Guide

This guide uses the following textual, symbolic, and typographic conventions to help you interpret information.

Symbolic Conventions

Note:

This symbol precedes additional information about a topic. This information is not required to run your system.



CAUTION:

This symbol emphasizes possible harm to software, possible loss of data, or possible service interruptions.

Typographic Conventions

This guide uses the following typographic conventions:

command	Words printed in this type are commands that you enter into your system.
Message	Words printed in this type are system messages.
device	Words printed in this type indicate parameters associated with a command for which you must substitute the appropriate value. For example, when entering the <code>mount</code> command, device must be replaced with the name of the drive that contains the installation disk.
Administrative	Words printed in bold type are menu or screen titles and labels. Bold type words can also be items on menus or screens that you should select or enter to perform a task, i.e., fields, buttons, or icons. Bold text is also used for general emphasis.
<i>italics</i>	Italic type indicates a document that contains additional information about a topic.

Online Documentation

The online documentation for the 4600 Series IP Telephones is located at the following URL:

<http://www.avaya.com/support>

Related Documents

- *DEFINITY[®] ECS (Enterprise Communication Server) Documentation Release 8.4*
This document describes how to administer a DEFINITY ECS switch with Release 8.4 software.
- *DEFINITY[®] ECS (Enterprise Communication Server) Documentation Release 9*
This document describes how to administer a DEFINITY ECS switch with Release 9 software.
- *DEFINITY[®] ECS (Enterprise Communication Server) Documentation Release 10*
This document describes how to administer a DEFINITY ECS switch with Release 10 software.
- *Avaya Communication Manager Software Documentation Release 1.1*
This document describes how to administer a switch with Avaya MultiVantage (Release 1.1) software.
- *Avaya Communication Manager Software Documentation Release 1.2*
This document describes how to administer a switch with Avaya Communication Manager (Release 1.2) software.
- *Avaya Communication Manager Software Documentation Release 1.3*
This document describes how to administer a switch with Avaya Communication Manager (Release 1.3) software.
- *Avaya Communication Manager Software Documentation Release 2.0*
This document describes how to administer a switch with Avaya Communication Manager (Release 2.0) software.
- *Avaya Communication Manager Software Documentation Release 2.1*
This document describes how to administer a switch with Avaya Communication Manager (Release 2.1) software.

Introduction

- *Avaya Communication Manager Software Documentation Release 2.2*

This document describes how to administer a switch with Avaya Communication Manager (Release 2.2) software.
- *Avaya Communication Manager Software Documentation Release 3.0*

This document describes how to administer a switch with Avaya Communication Manager (Release 3.0) software.
- *Avaya Communication Manager Software Documentation Release 3.1*

This document describes how to administer a switch with Avaya Communication Manager (Release 3.1) software.
- *Administrator Guide for Avaya Communication Manager (03-300509)*

This document provides an overall reference for planning, operating, and administering your Avaya Communication Manager solution.
- *Converged Communication Server Installation and Administration Guide (555-245-705)*

This document describes how to install and administer the Converged Communication Server with the latest CCS software release.
- *SIP Support in Release 3.0 of Avaya Communication Manager running on the Avaya S8300, S8500, and 8710 Media Server (555-245-206)*

This document describes requirements and introduces procedures for administering SIP (Session Initiation Protocol) with Avaya Communication Manager Release 3.0.
- *Avaya Application Solutions - IP Telephony Deployment Guide (555-245-600)*

This document describes the Avaya Application Solutions product line, IP Telephony product deployment, and network requirements for integrating IP Telephony products with an IP network. Includes information on traffic engineering, voice quality and quality of service, reliability and recovery, and network management.
- *Avaya IP Telephone File Server Application Reference Guide (16-601433)*

This document describes how to install and implement the File Server Application for IP Telephones.
- *Avaya IP Telephone SNMP Security White Paper, Issue 0.1*

This document has extensive information about SNMP and related Release 2.6 changes.
- *4600 Series IP Telephone Safety Instructions (555-233-779)*

This document contains important user safety instructions for the 4600 Series IP Telephones.
- *30A Switched Hub Set Up Quick Reference, Issue 2, July 2002 (555-236-700)*

This document contains important safety and installation information for the 30A Switched Hub.

- *4600 Series IP Telephone LAN Administrator Guide (555-233-507)*

This document describes how to administer DHCP, TFTP, SIP Registration, and other servers as appropriate for the 4600 Series IP and SIP IP Telephones. It also provides troubleshooting guidelines for the 4600 Series IP and SIP IP Telephones and for the DHCP and TFTP servers. The LAN Administrator Guide contains information on how to administer advanced applications for the 4610SW, 4620/4620SW/4621SW/4622SW/4625SW, 4630/4630SW, and 4690 IP Telephones.
- *4601 IP Telephone User Guide (16-300043)*

This document provides detailed information about using the 4601 and 4601+ IP Telephones.
- *4602/4602SW IP Telephone User Guide (555-233-780)*

This document provides detailed information about using the 4602/4602SW/4602+ IP Telephones.
- *4602/4602SW SIP IP Telephone User Guide (16-300470)*

This document provides detailed information about using the 4602/4602SW SIP IP Telephone.
- *4606 IP Telephone User Guide (555-233-775)*

This document provides detailed information about using the 4606 IP Telephone.
- *4610SW IP Telephone User Guide (555-233-784)*

This document provides detailed information about using the 4610SW IP Telephone.
- *4610SW SIP IP Telephone User Guide (16-300472)*

This document provides detailed information about using the 4610SW SIP IP Telephone.
- *4612 IP Telephone User Guide (555-233-777)*

This document provides detailed information about using the 4612 IP Telephone.
- *4620/4620SW/4621SW IP Telephone User Guide (555-233-781)*

This document provides detailed information about using the 4620/4620SW and 4621SW IP Telephones.
- *4620SW/4621SW SIP IP Telephone User Guide (16-300474)*

This document provides detailed information about using the 4620SW and 4621SW SIP IP Telephones.
- *4622SW IP Telephone User Guide (16-300297)*

This document provides detailed information about using the 4622SW IP Telephone.
- *4624 IP Telephone User Guide (555-233-776)*

This document provides detailed information about using the 4624 IP Telephone.

Introduction

- *4625SW IP Telephone User Guide (16-300298)*
This document provides detailed information about using the 4625SW IP Telephone.
- *4630/4630SW IP Telephone User Guide (555-233-764)*
This document provides detailed information about using the 4630/4630SW IP Telephone.
- *Avaya 4690 IP Conference Telephone User Guide (555-233-787)*
This document provides detailed information about using the 4690 IP Conference Telephone.
- *4601/4602/4602SW IP Telephone Stand Instructions (555-233-147)*
This document provides information on how to desk- or wall-mount a 4601 or 4602/4602SW IP Telephone and a 4602/4602SW SIP IP Telephone.
- *4610SW IP Telephone Stand Instructions (555-233-165)*
This document provides information on how to desk- or wall-mount a 4610SW IP or SIP IP Telephone.
- *4620/4620SW/4621SW/4622SW/4625SW IP Telephone Stand Instructions (16-300299)*
This document provides information on how to mount a 4620/4620SW/4621SW/4622SW/4625SW IP or 4620SW/4621SW SIP IP Telephone on a wall.
- *EU24/EU24BL Expansion Module User Guide (555-250-702)*
This document provides detailed information about the EU24/EU24BL Expansion Module. The EU24/EU24BL is an optional attachment that provides additional Feature buttons for the 4620/4620SW, 4621SW, 4622SW, or 4625SW IP Telephones.
- *EU24/EU24BL Installation and Safety Instructions (555-233-136)*
This document provides detailed installation instructions for the EU24/EU24BL Expansion Module.

Customer Support

For 4600 Series IP Telephone support, call the Avaya support number provided to you by your Avaya representative or Avaya reseller.

Information about Avaya products can be obtained at the following URL:

<http://www.avaya.com/support>

Chapter 2: 4600 Series IP Telephone Installation

Introduction

The 4600 Series IP Telephone product line uses Internet Protocol (IP) technology with Ethernet interfaces. The IP telephones supplement the existing DEFINITY®/MultiVantage™ IP Solutions platform.

The 4600 Series IP Telephones support DHCP and TFTP over IPv4/UDP which enhance the administration and servicing of the telephones. These telephones use DHCP to obtain dynamic IP Addresses and TFTP or HTTP/HTTPS to download new software versions for the telephones.

Most 4600 Series IP Telephones provide the ability to have one IP connection on the desktop for both a telephone set and a PC. The 4606, 4612, 4624, and 4630 IP Telephones provide a repeater. The 4602SW, 4602SW+, 4610SW, 4620, 4620SW, 4621SW, 4622SW, 4625SW, and 4630SW IP Telephones, and the 30A switched hub, provide an Ethernet switch. The 4601, 4601+, and 4602 IP Telephones, and the 4690 IP Conference Telephone, have neither a repeater nor a switch, and cannot share a port with a PC.

Note:

For information on Voice over IP, see the *4600 Series IP Telephone LAN Administrator Guide*.

In compliance with Australian law, the following information is provided:

This equipment shall be installed and maintained by trained service personnel. All the input/output ports are classified as Safety Extra Low Voltage (SELV, in the meaning of IEC 60950). To maintain safety compliance when connecting the equipment electrically to other equipment, the interconnecting circuits shall be selected to provide continued conformance of clause 2.3 for SELV circuits (generally, double/reinforced insulation to 240Vac rms to any primary/mains circuitry and 120Vac rms to any telecommunications network circuitry). To ensure that these conditions are adhered to, interconnect the equipment only with the already approved/certified equipment.

IP Telephone Models

There are seventeen telephone set models defined in the 4600 Series IP Telephone family:

- 4601 IP Telephone
- 4601+ IP Telephone
- 4602 IP Telephone
- 4602SW IP Telephone
- 4602SW+ IP Telephone
- 4606 IP Telephone
- 4610SW IP Telephone
- 4612 IP Telephone
- 4620 IP Telephone
- 4620SW IP Telephone
- 4621SW IP Telephone
- 4622SW IP Telephone
- 4624 IP Telephone
- 4625SW IP Telephone
- 4630 IP Telephone
- 4630SW IP Telephone
- 4690 IP Conference Telephone

Telephone models containing the SW designation have the same appearance, user interface, and functionality as their non-SW counterparts, with one exception. The telephones have an internal Ethernet switch that allows the telephone and a PC to share the same LAN connection, if appropriate. Thus, SW models do not need, or work with, the 30A switched hub interface. The exception to this exception is the 4620—both the 4620 and 4620SW, and other 46xx Series IP Telephones aliased as a 4620 contain an Ethernet switch.

Additionally, the 4630SW IP Telephone differs from the 4630 IP Telephone in two distinct ways. The 4630SW can be LAN-powered and is FCC and CISPR Class B. The 4630 is a Class A device that does not support LAN powering.

Telephone models with a + designation have the same appearance, user interface, and functionality as their non-plus counterparts. The + telephone models have twice as much memory and are RoHS-compliant (lead-free).

This document describes the installation of these telephones. For details about using the features provided by the telephones, see the user documentation for each telephone. For information about desk or wall mounting any of the 4600 IP Telephone Series, see the instructions boxed with the telephone. Wall or desk mount instructions are also available on the Avaya support Web site.

Software

As shipped from the factory, the 4600 Series IP Telephones may not contain sufficient software for registration and operation. When the telephone is first plugged in, a software download from a TFTP or HTTP server is initiated. The software download gives the telephone the functionality of an Avaya IP Telephone.

For downloads of software upgrades, the Avaya Media Server provides the capability for a remote restart of the IP telephone. As a consequence of restarting, the telephone automatically restarts reboot procedures which result in a download if new software is available.

Pre-Installation Checklist

Before plugging in the 4600 Series IP Telephone, verify that all the following requirements are met. Failure to do so prevents the telephone from working and can have a negative impact on the network. Print copies of this checklist for each server and IP telephone.

Requirements to Verify about the Network

1. This first checklist item applies only to H.323 telephones. The Avaya Media Server is administered for IP telephones and has software for Release 8.4 or later. Avaya Communication Manager Release 1.1 supports the 4602 and 4620/4620SW IP Telephones. The recommended configuration is the latest PBX software and the latest IP telephone firmware. In the event you are installing at a site without the latest PBX software, follow these recommendations:

Media Server Release	Avaya IP Telephone	IP Telephone Release	Notes
Avaya Communication Manager 4.0	All telephones	R2.8	
Avaya Communication Manager 3.1+	All telephones	R2.6+	IP Telephone software Release 2.7 does not support the 4601, 4602, and 4602SW.
Avaya Communication Manager 1.3+	All telephones	R1.8+	Use the latest release.
Avaya Communication Manager 1.1, Avaya Communication Manager 1.2	All telephones <i>except</i> 4630	R1.8+	Use the latest release.
R10, Avaya Communication Manager 1.1, Avaya Communication Manager 1.2	4630	R1.74	Upgrade to Avaya Communication Manager Release 1.3 or later before installing R1.8 on 4630 Telephones.
R10	4606, 4612, 4624	R1.8+	The 4602 and 4620 are not supported.
R9.5	4606, 4612, 4624	R1.8+	The 4620, 4602, and 4630 are not supported. R1.5 is the minimum 4600 IP Telephone vintage.
R9	4612, 4624	R1.1	R1.1 is the only supported 4600 IP Telephone vintage.
R8.4	4612, 4624	R1.0	R1.0 is the only supported 4600 IP Telephone vintage.



CAUTION:

Using IP telephones on R8.4 or R9 requires extreme caution. You would be downgrading the telephones to these very old releases. Downgrading any Avaya IP Telephone other than the 4612 or 4624 to these old releases has not been tested and might damage the telephone. See [Downgrading Avaya IP Telephones \(H.323 Only\)](#) on page 41 for instructions on how to downgrade the software for Avaya IP Telephones.

Note: The 4621SW and 4625SW can be aliased as a 4620 on any call server that supports the 4620. In addition, Avaya Communication Manager Release 2.2 provides limited native support for the 4621SW and 4625SW. See the Avaya Communication Manager Release 2.2 administration documentation for more details.

Release 1.8 software changed the way the 4630 and 4630SW obtain administered Feature button labels from the Media Server. Therefore, you must have Avaya Communication Manager Release 1.2 for 4630 IP Telephone Release 1.8 to work properly.

Requirements to Verify about the Network (continued)

2. The following two circuit packs are installed on the switch:
- TN2302 IP Media Processor circuit pack.
 - TN799B, C, or D Control-LAN (C-LAN) circuit pack.



Important:

IP Telephone firmware Release 2.3 or greater requires TN799C V3 or greater C-LAN circuit pack(s). For more information, see the *Communication Manager Software and Firmware Compatibility Matrix* on the Avaya support Web site <http://www.avaya.com/support>.

Note: Checklist item 2 applies only to H.323 telephones.

3. The Avaya Media Server is configured correctly, as described in the documentation listed in [Related Documents](#) on page 13.
- Note:** This checklist item applies only to H.323 telephones.
4. The DHCP server and application are administered as described in the *4600 Series IP Telephone LAN Administrator Guide*.
5. The TFTP or HTTP server and application are administered as described in the *4600 Series IP Telephone LAN Administrator Guide*.
6. The upgrade script and application files from the Avaya Support Web site are loaded correctly on the TFTP server.
7. If applicable, the LDAP and DNS servers are administered as described in the *4600 Series IP Telephone LAN Administrator Guide*. This is a consideration only for 4610SW/4620/4620SW/4621SW/4622SW/4625SW, and 4630/4630SW installations.
8. If applicable, the Voice Mail and/or Web Messaging servers are administered as described in the *4600 Series IP Telephone LAN Administrator Guide*. This is a consideration only for 4630/4630SW installations.
9. If applicable, the WML server is administered as described in the *4600 Series IP Telephone LAN Administrator Guide*. This is a consideration only for 4610SW and 4620/4620SW/4621SW/4622SW/4625SW installations.

Note:

Any or all of the servers mentioned in items 4.-9. can be co-resident on the same hardware.

Requirements to Verify for Each IP Telephone

- 10a.** You have an extension number and an Avaya Communication Manager security code (password) for each IP telephone.
Note: This checklist item applies only to H.323 telephones. However, to allow an H.323 telephone user to sign on to a SIP telephone, you must also establish that person's User ID and password on the SIP Enablement Services (SES) server.
- 10b.** You have an OPTIM extension number and an Avaya Communication Manager security code (password) for each SIP telephone. You have configured SIP Enablement Services for each SIP telephone.
Note: This checklist item applies only to SIP telephones. However, to allow a SIP telephone user to sign on to an H.323 telephone, you must also establish that person's User ID and password on Avaya Communication Manager.
- 10c.** You have an 802.1X Supplicant Identity and password for each IP telephone (H.323 only) if applicable to your environment. The MAC address of the telephone will be used as a default ID and the default password will be Null if you do not provide values. For more information, see [802.1X Supplicant Authentication](#) on page 37.
- 11.** A Category 5e LAN jack is available at each telephone site.
- 12.** Electrical power is provided to each telephone by a Telephone Power Module (DC power jack) (must be ordered separately). If the LAN will supply IEEE-standard power to the 4601/4602/4602SW/4606/4610SW/4612/4620/4620SW/4621SW/4622SW/4624/4625SW/4630SW, no power module is required.

Note:

The 4630 IP Telephone does not support IEEE-standard power, and therefore requires the Power Module.

The 4690 IP Conference Telephone is powered with a special LAN/power cable with a power interface module included with this telephone.

- 13.** 1 Category 5e modular line cord is available for the connection between the IP telephone and the PC.
- 14.** Verify that the 4600 Series IP Telephone package includes the following components:
 - 1 telephone set
 - 1 telephone handset, except the 4622SW and 4690 IP Conference Telephones
 - 1 H4DU 9-foot long (when extended) 4-conductor coiled handset cord, plugged into the telephone and the handset, except the 4690 IP Conference Telephone
 - 1 Category 5 modular line cord for the connection from the IP telephone to the Ethernet wall jack
 - *4600 Series IP Telephone Safety Instructions (555-233-779)*
 - Power Brick for 4630 IP Telephones only
 - Stylus for 4630/4630SW IP Telephones only
 - Power Interface Module for the 4690 IP Conference Telephone only
- 15.** IP telephones ship from the factory with H.323 software. Existing installations might also have many IP telephones running H.323 software. For instructions on how to convert between H.323 and SIP software, see [Converting Software on Avaya 4600 Series IP Telephones](#) on page 42.

Optional Items for Some IP Telephones

- 16.** If applicable to your current installation, verify that the following equipment/information is present:
 - 30A Switched Hub (applicable to the 4612/4624/4630 only)
 - Stand Instructions, packaged with certain IP telephones
-

Assembling the 4600 Series IP Telephone

 **CAUTION:**

Be careful to use the correct jack when plugging in the telephone. The jacks are located on the back of the telephone housing and are flanked by icons to represent their correct use.

Powering the 4600 IP Telephone

With one exception, there are two options to power 4600 Series IP Telephones. There is only one way to power the 4630 IP Telephone. All 4600 Series IP Telephones can be locally powered with a Telephone Power Module (DC power jack), available separately. In addition, the 4601/4601+/4602/4602SW/4602SW+/4606/4610SW/4612/4620/4620SW/4621SW/4622SW/4624/4625SW/4630SW IP Telephones support IEEE 802.3af-standard LAN-based power. Before installation, verify with the LAN administrator whether the LAN supports IEEE 802.3af, and if so, whether the telephone should be powered locally or by means of the LAN.

The 4690 IP Conference Telephone is powered using a power interface module placed between the LAN and the telephone on the Category 5 network cable.

Note:

If your installation includes a 30A Switched Hub, follow the installation instructions included in the Switched Hub box.

The last step in assembling the 4600 Series IP Telephone **must** be applying power. Apply power either by plugging the power cord into the power source (local powering) or plugging the modular line cord into the Ethernet wall jack (IEEE powering).

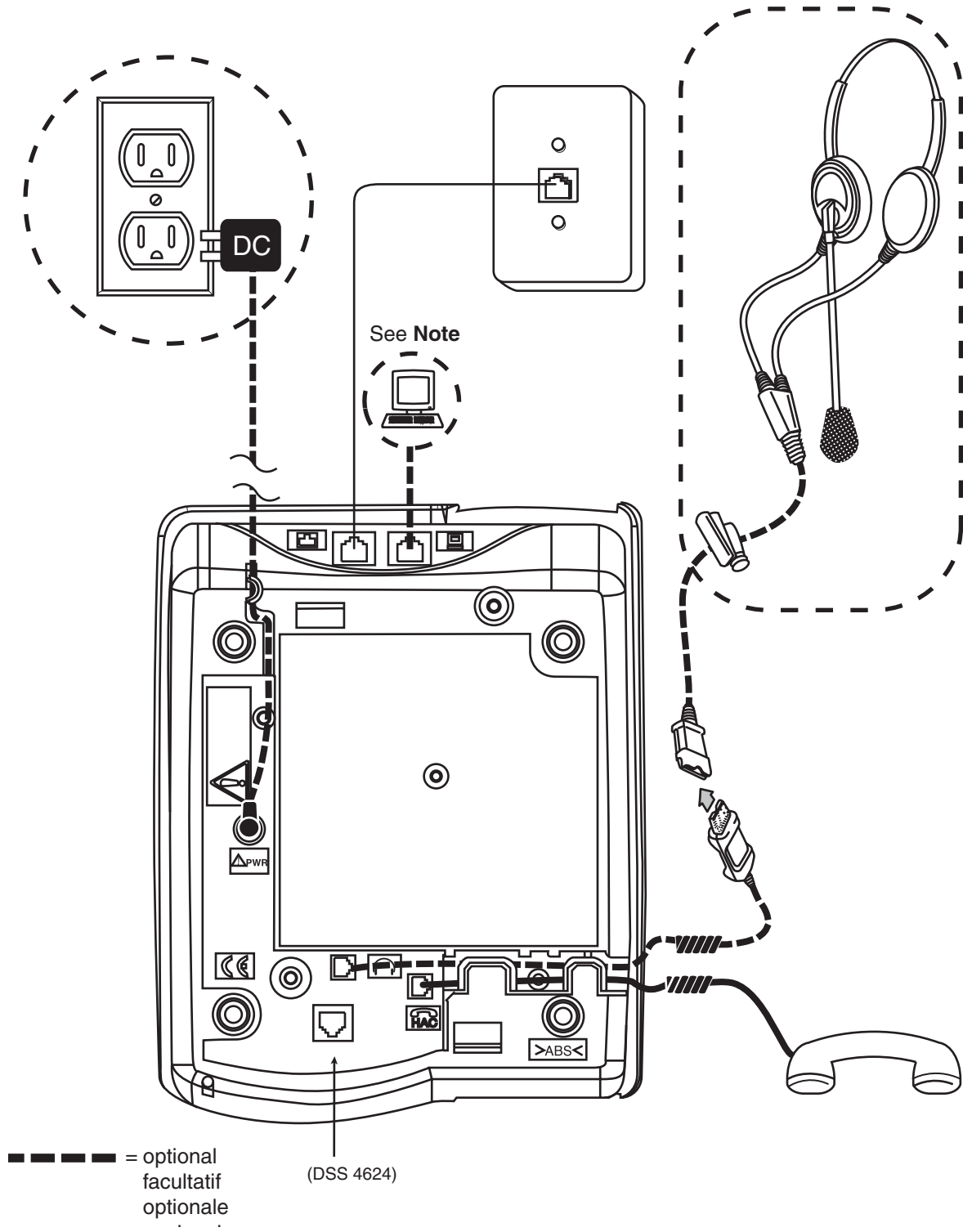
 **CAUTION:**

Failure to connect the proper cables with the proper jacks might result in an outage in part of your network.

[Figure 1](#) through [Figure 11](#) provides illustrations to connect cords to jacks on 4600 IP Series Telephones. See the chart below to determine the applicable illustration. Use the illustrations and associated procedures as appropriate for telephone assembly.

Telephone Model:	See:
4606	Figure 1
4612	Figure 1
4624	Figure 1
4601/4601+ 4602/4602SW/4602SW+	Figure 2 and Figure 3
4610 4620/4620SW 4621SW 4622SW 4625SW	Figure 4 and Figure 5
4630	Figure 6
4630SW	Figure 7 and Figure 8
4610SW	Figure 9 and Figure 10
4690	Figure 11

Figure 1: Connection Jacks on a 4606/4612/4624 IP Telephone



1. Plug one end of the H4DU 4-conductor coiled handset cord into the telephone and the other end into the handset.
2. Plug one end of the first Category 5 modular line cord into the Ethernet jack of the PC and the other end into the secondary Ethernet jack on the 4600 Series IP Telephone, if appropriate.

Note:

The 4602SW/4602SW+ may have PC and LAN jacks reversed from their pictures. Ensure that you make the right connections to the right equipment, as noted by the icons on the telephone jacks.

3. Plug one end of the second Category 5 modular line cord into the Ethernet jack on the 4600 Series IP Telephone. Plug the other end of this cord into the Ethernet wall jack. If the telephone is to be IEEE-powered, you are finished. Do not proceed to Step 4.
4. **If the telephone is to be powered locally in the United States and Canada**, plug the power cord into the 4600 Series IP Telephone, and the power cord plug into the wall socket.
If the telephone is to be powered locally outside the United States and Canada, connect the 1151 power brick to the power cable. Connect the other end of the power cable to the 4600 Series IP Telephone, and the plug to the wall socket.

Figure 2: Connection Jacks on a 4601/4601+/4602/4602SW/4602SW+ IP Telephone - Option A

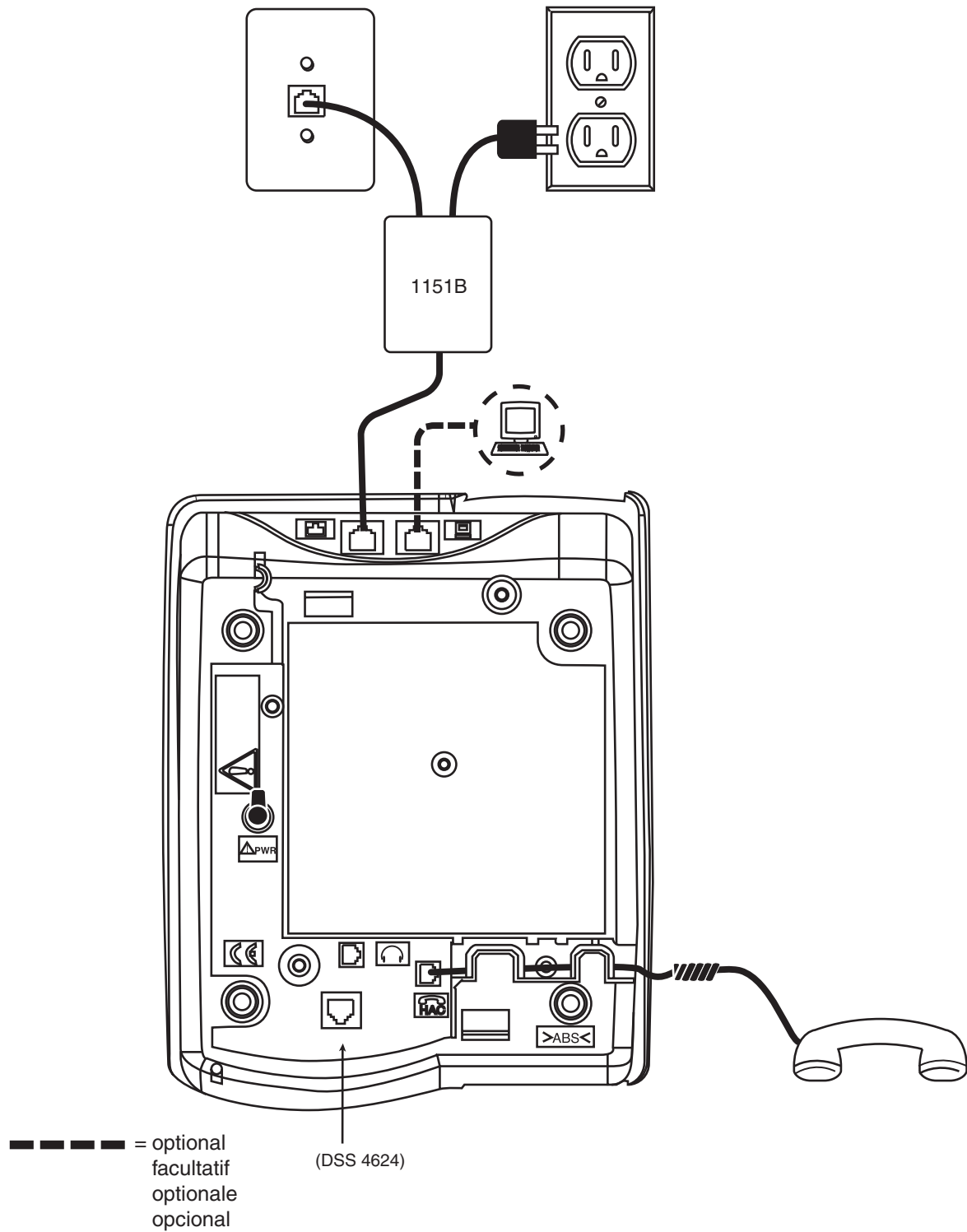


Figure 3: Connection Jacks on a 4601/4601+/4602/4602SW/4602SW+ IP Telephone - Option B

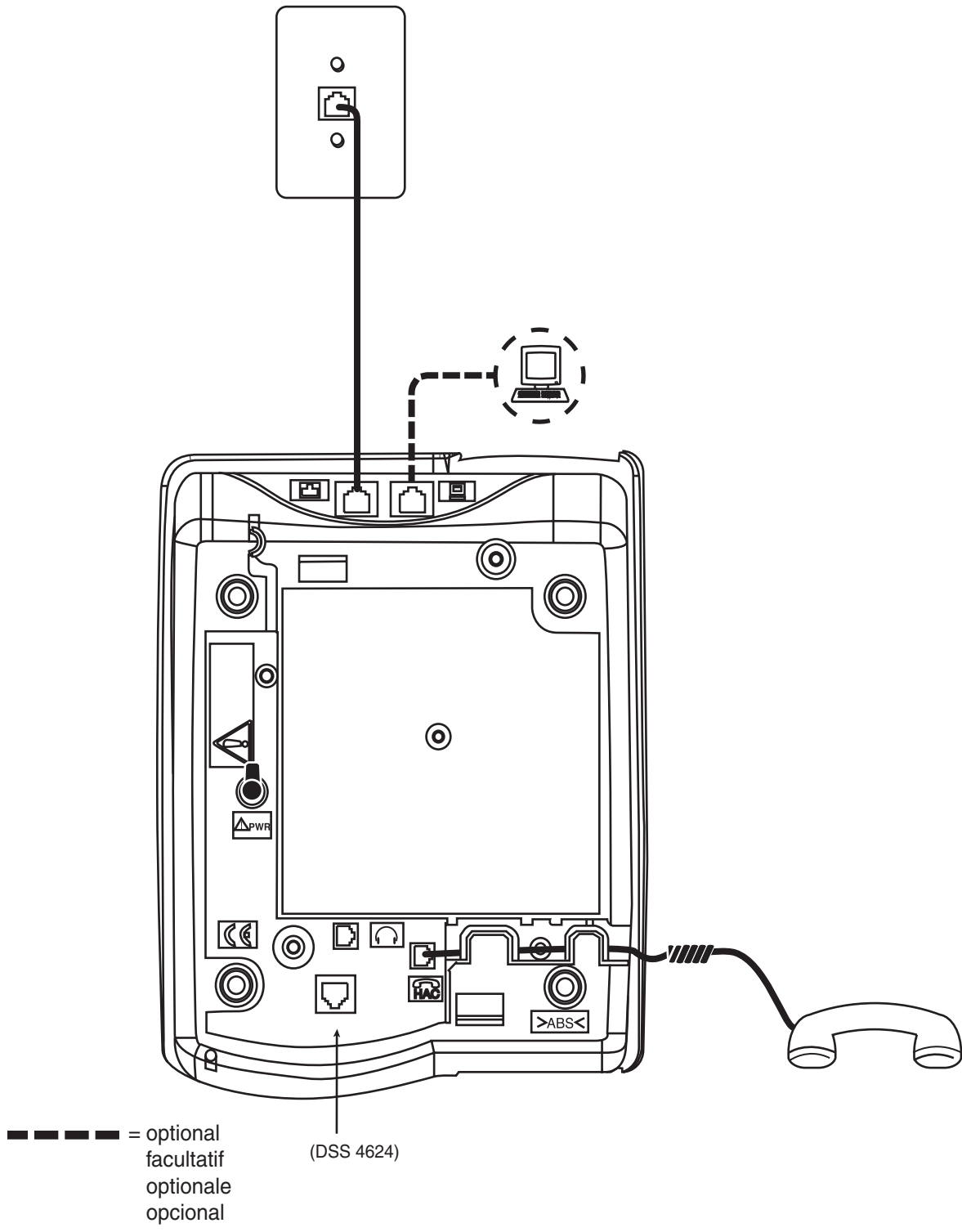


Figure 4: Connection Jacks on a 4610/4620/4620SW/4621SW/4622SW/4625SW/4630SW IP Telephone - Option A

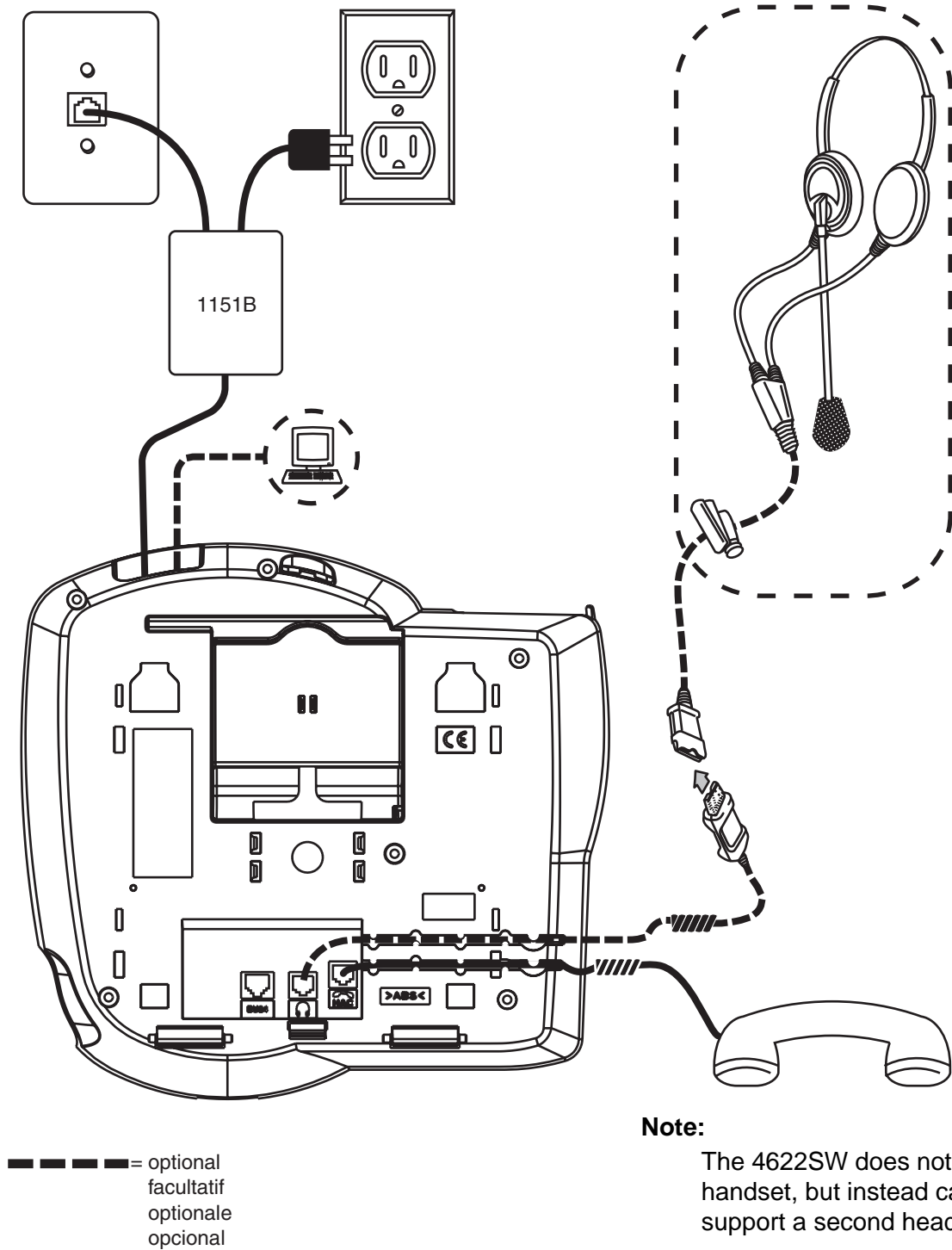


Figure 5: Connection Jacks on a 4610/4620/4620SW/4621SW/4622SW/4625SW/4630SW IP Telephone - Option B

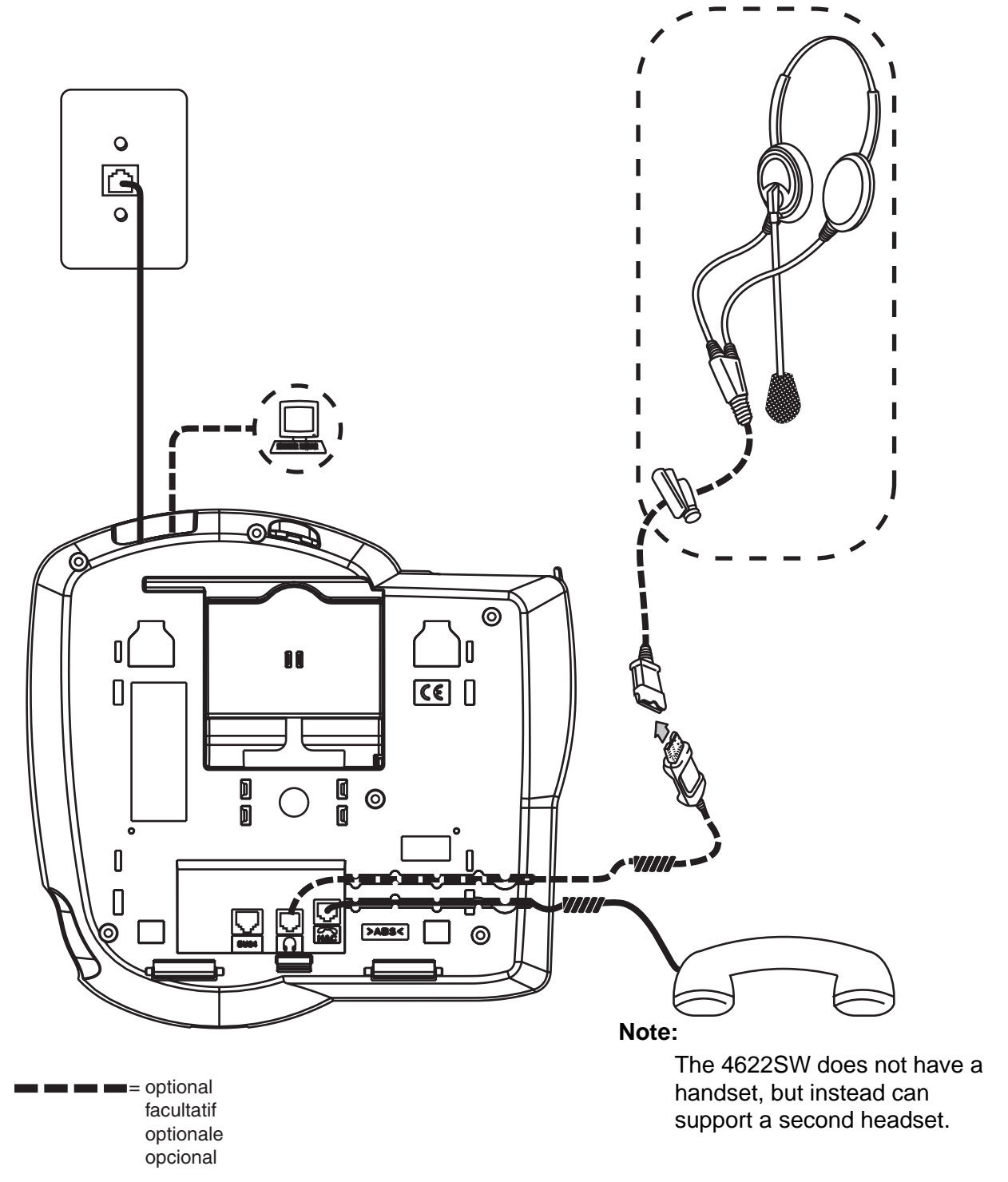


Figure 6: Connection Jacks on a 4630 IP Telephone

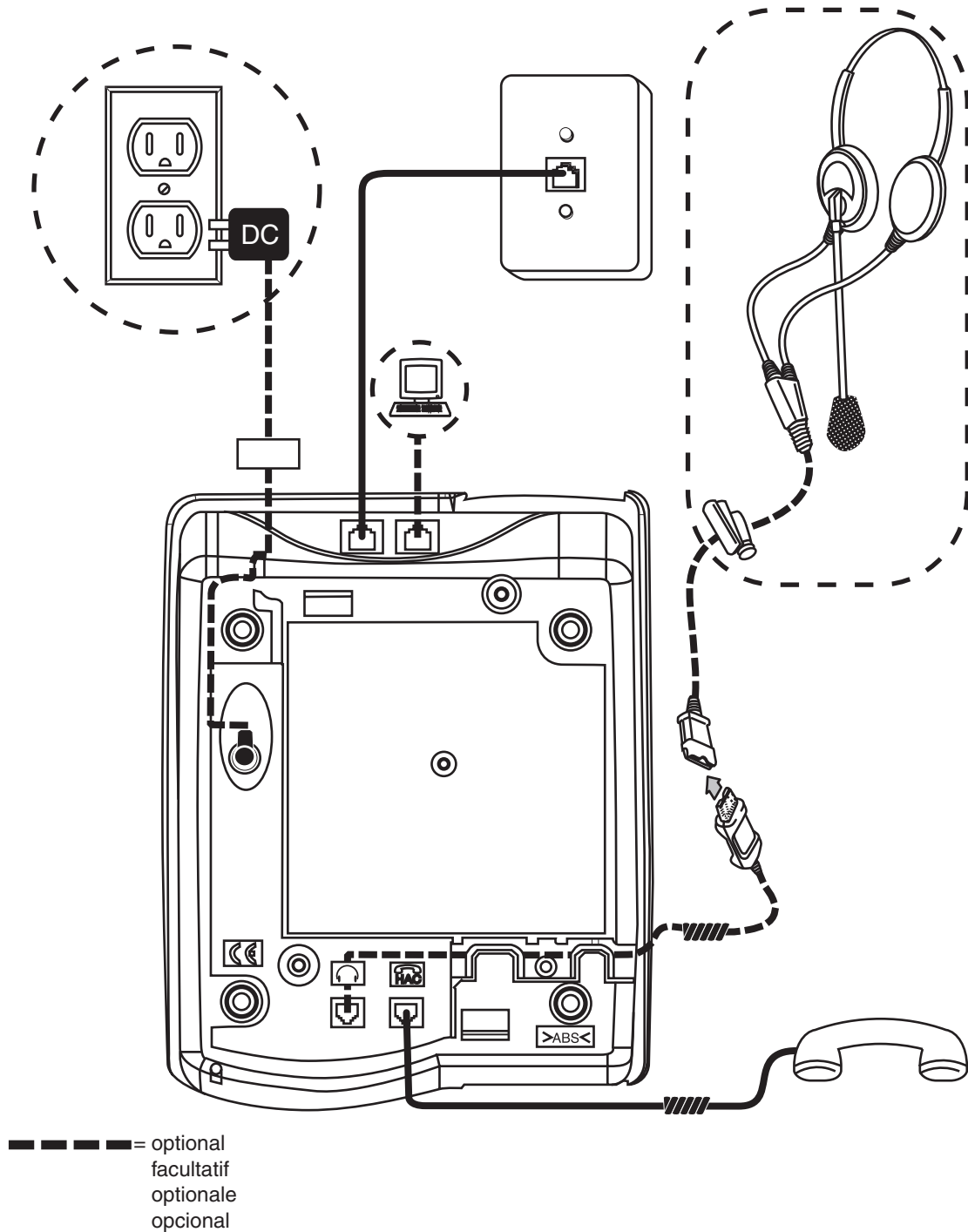


Figure 7: Connection Jacks on a 4630SW IP Telephone - Option A

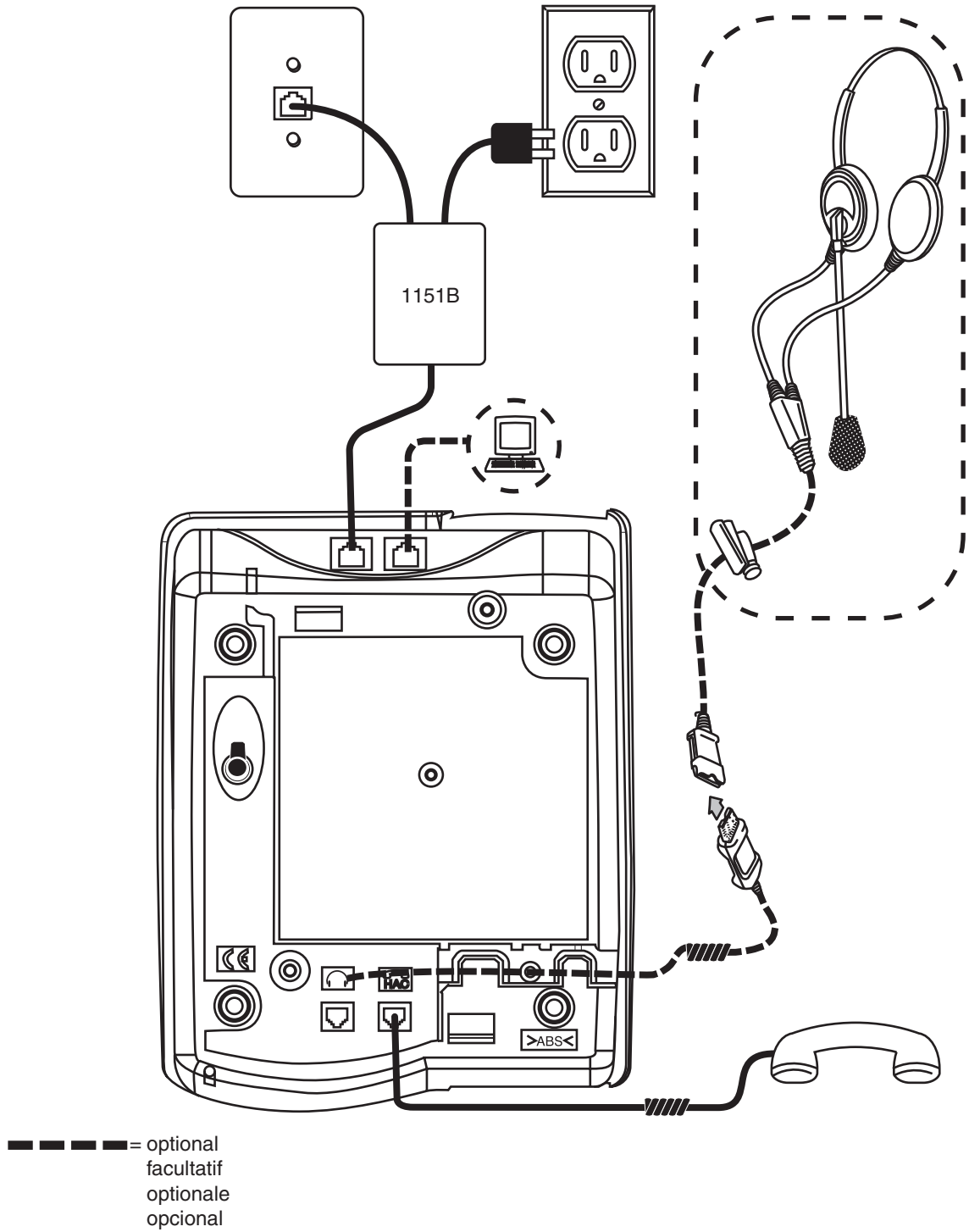


Figure 8: Connection Jacks on a 4630SW IP Telephone - Option B

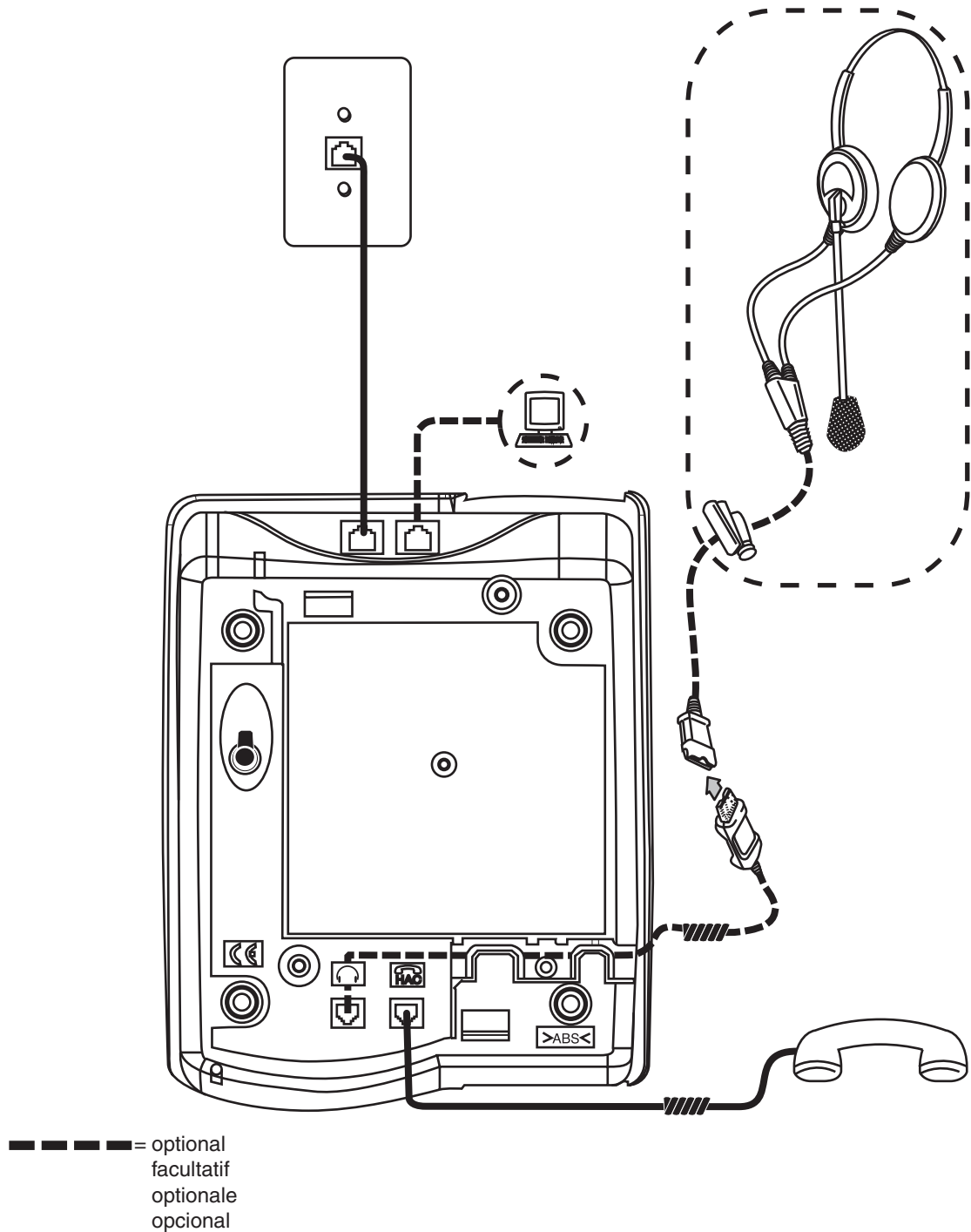


Figure 9: Connection Jacks on a 4610SW IP Telephone - Option A

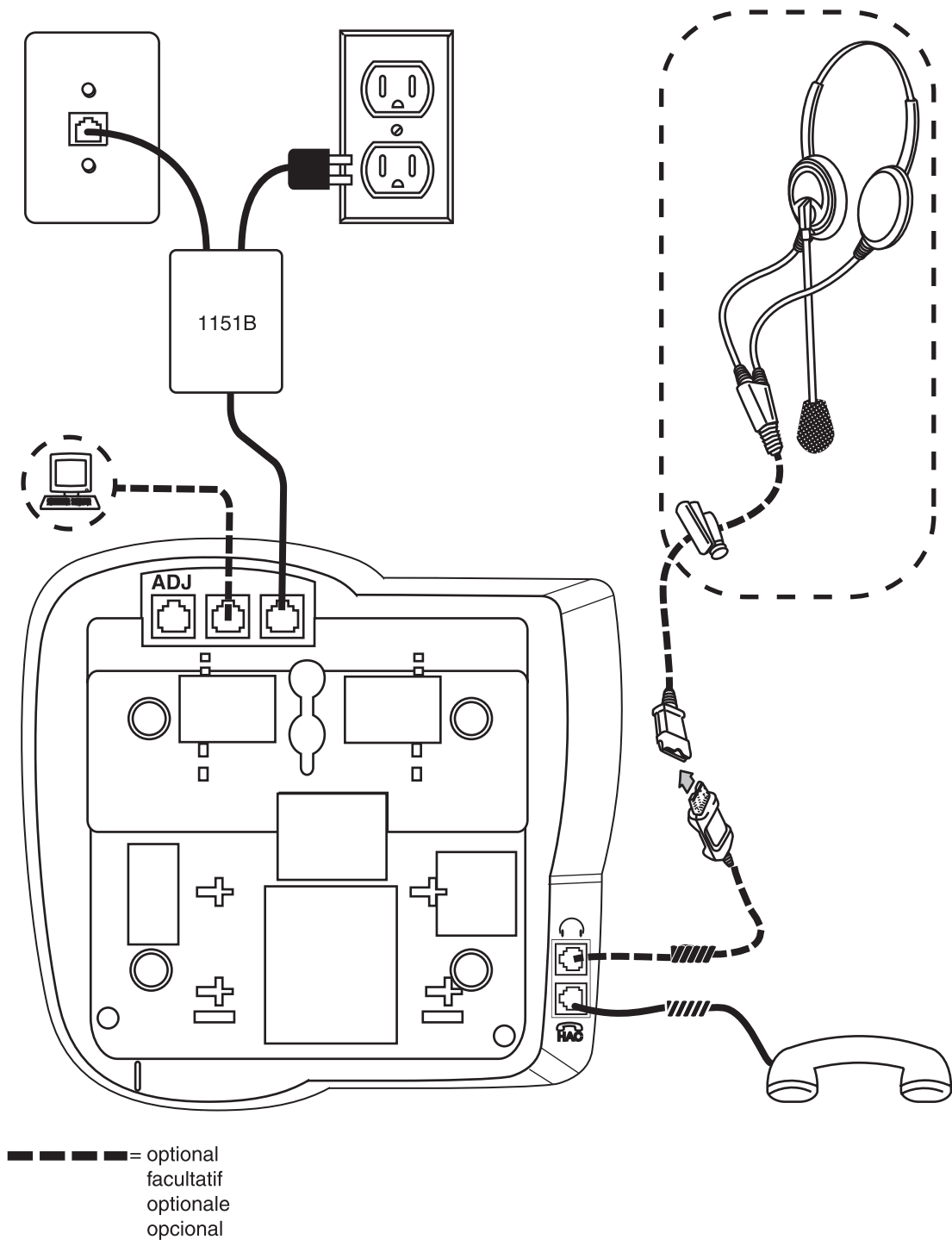


Figure 10: Connection Jacks on a 4610SW IP Telephone - Option B

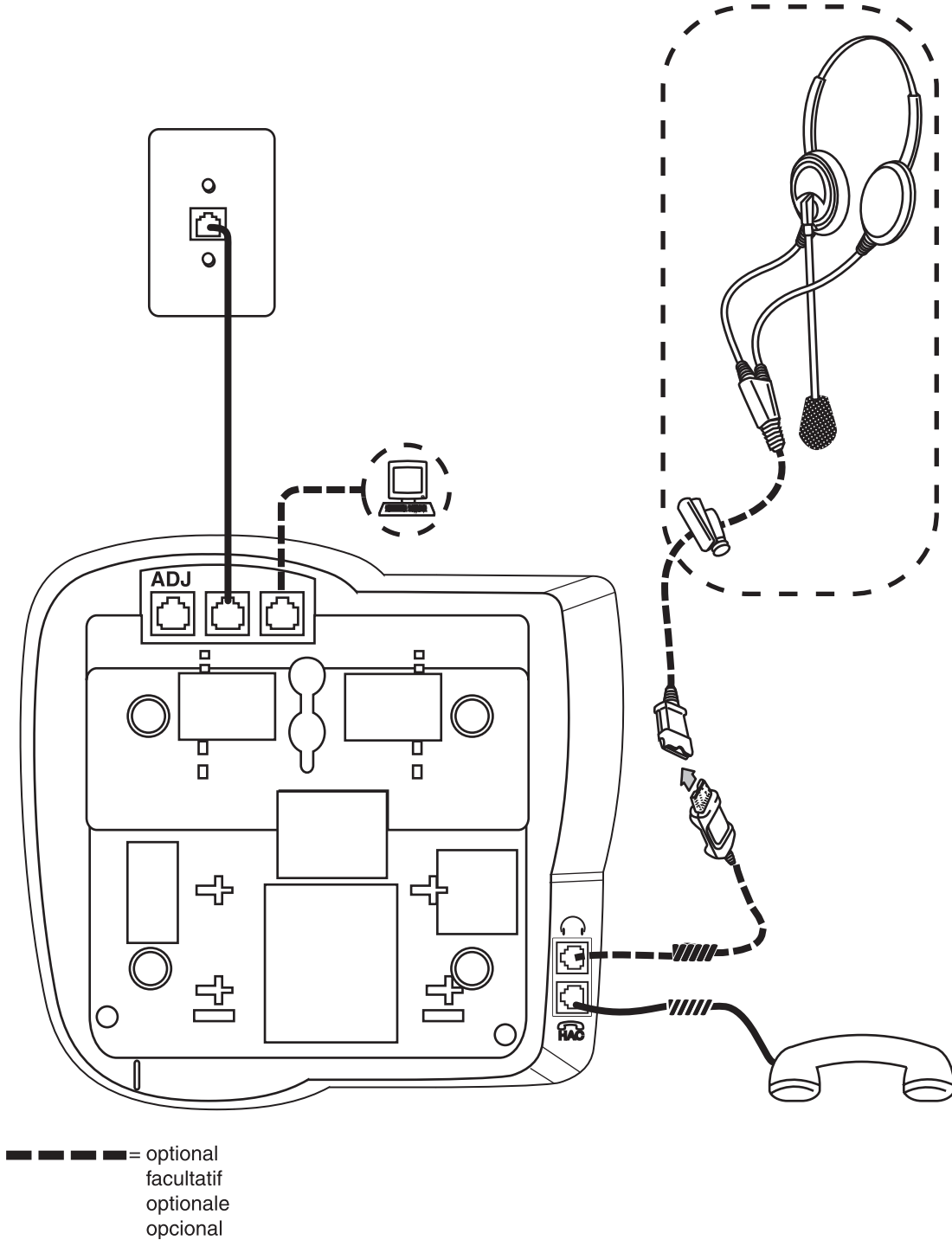
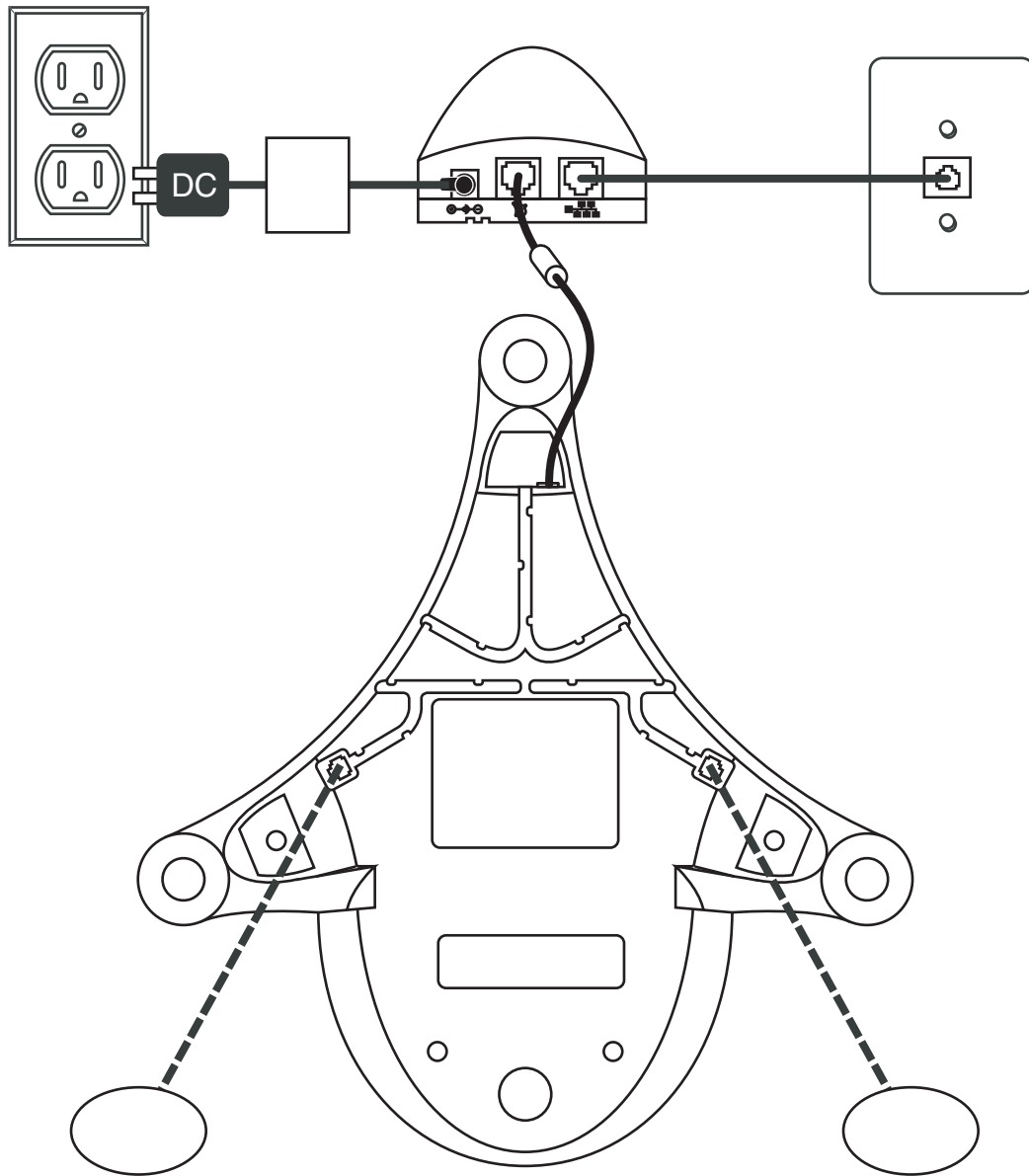


Figure 11: Connection Jacks on a 4690 IP Conference Telephone



----- = optional
facultatif
optionale
opcional

Dynamic Addressing Process

Note:

For IP telephones supporting the H.323 protocol, before starting this process you must have an extension number for the IP telephone and the Avaya Communication Manager security code (password) for that extension. An exception is when unnamed registration is enabled, which requires neither an extension nor password entry. For more information, see [Unnamed Registration](#).

For IP telephones supporting the SIP protocol, before starting this process you must have an OPTIM extension number for the SIP telephone, the Avaya Communication Manager security code (password), and a login and password on the SES server.

The following description of the process of installing the IP telephones assumes that the process is executed successfully. Only an initial out of the box installation is described. For errors that might be encountered during the process and the messages displayed, see [Chapter 4: Troubleshooting Guidelines](#).

Note:

Dynamic addressing is the only way to establish addressing parameters on the 4601/4601+ IP Telephones. Because it lacks a display, this telephone uses its LEDs to provide status indication. The instructions indicate processing exceptions or elaborations specifically for 4601 IP Telephones where applicable, and apply equally to the 4601+ IP Telephone.

When you plug the IP telephone set into the Ethernet wall jack and apply power, if applicable, the following process takes place.

Note:

If the application has already been downloaded, the whole process takes approximately 1 to 2 minutes after the telephone is plugged in. For an initial installation, including the application download, the process might take 5 - 10 minutes. The duration is based on LAN loading, how many telephones are being installed at once, and similar factors.

Do not unplug the power cord during the download process.

Ethernet Activation

The telephone activates the Ethernet line interface, the PC Ethernet jack, and dial pad input to allow the invocation of procedures. The activation occurs as soon as possible after power-up or a reset.

The telephone detects and displays the speed of the Ethernet interface in Mbps, that is, 10 or 100. The message `No Ethernet` displays until the software determines whether the interface is 10 Mbps or 100 Mbps.

For the 4601/4601+ only, all the LED indicators illuminate to indicate system value initialization. When system value initialization completes, the 4601's Call Appearance Line **a** flashes continuously 500 milliseconds on, 500 milliseconds off while all other LEDs remain lit.

Note:

The Ethernet speed indicated is the LAN interface speed for **both** the telephone and any attached PC.

802.1X Supplicant Authentication

If applicable, the 4602SW+, 4610SW, 4620SW, 4621SW, 4622SW, and 4625SW IP Telephones begin supplicant authentication and display the following 802.1X identification entry screen:

```
802.1X ID=ddd
#=OK New=_
```

where **ddd** is the 802.1X identity of the telephone. All other telephones begin the DHCP process described in [DHCP Processing](#).

Note:

802.1X Supplicant authentication applies only to those installations operating under the IEEE 802.1X standard, as indicated by the system parameter DOT1X. For more information, see "IEEE 802.1X" in the *4600 Series IP Telephone LAN Administrator Guide*.

1. Press the **#** button to accept the ID shown or enter a new 802.1X ID for the telephone using up to 12 ASCII characters. Press **#** after entry of a new ID.
2. The IP Telephones display the following 802.1X password entry screen:

```
Password=_
#=OK
```

3. Enter the 802.1X password using up to 12 numeric characters and press #.

Note:

For security purposes, an asterisk displays in place of each digit entered.

4. The telephone displays the following:

```
Waiting for 802.1X
authentication...
```

5. If authentication is successful, the telephone stores a new ID and password in reprogrammable non-volatile memory, and starts the DHCP process. If unsuccessful, the telephone displays a failure message and repeats the authentication process from Step 1.

DHCP Processing

The IP telephone sends a request to the DHCP server and invokes the DHCP process.

1. The telephone displays one of the following messages:

```
DHCP: s secs
# to program
```

```
DHCP: s secs
VLAN ID = n
```

```
DHCP: s secs
```

where **s** is the number of seconds that have elapsed since DHCP was invoked. The message on the left appears if 802.1Q tagging is off and access to local programming procedures is not disabled or restricted. (See [Chapter 3: Local Administrative Options](#) for specifics.) The middle message appears if 802.1Q tagging is on and access to local programming procedures is disabled or restricted. If the left and middle messages alternate every two seconds, 802.1Q tagging is on. When both messages alternate, access to local programming procedures is not disabled or restricted. Finally, the message on the right appears if 802.1Q tagging is off and access to local programming procedures is disabled or restricted.

2. The DHCP server provides IP Addresses for the following hardware:

- The IP telephone
- The TFTP or HTTP server
- The TN799B, C, or D Control-LAN (C-LAN) circuit pack on the media server (for IP telephones supporting H.323 protocol)

The 4601 and 4601+ cannot display messages. Therefore, if the DHCP process locates the required information, the 4601's Call Appearance Line **b** indicator flashes continuously 500 milliseconds on, 500 milliseconds off while all other LEDs remain lit. If the appropriate information cannot be discerned or is missing, the 4601's Call Appearance Line **a** indicator flutters 50 milliseconds on, 50 milliseconds off three times while all other LEDs remain lit, and a reset occurs.

- Using the list of gateway IP Addresses provided by the DHCP server, the telephone performs a router check. The telephone cycles through the gateway IP Addresses with ARPs or pings until it receives a response. During this search, the 4601's Call Appearance Line **b** indicator flashes continuously 500 milliseconds on, 500 milliseconds off. All other 4601 LEDs remain lit.

When the router is located, the TFTP or HTTP process starts. If no router is found for a 4601/4601+ IP Telephone, its Call Appearance Line **b** flutters 50 milliseconds on, 50 milliseconds off three times. All other 4601 LEDs remain lit, and a reset occurs.

- As of software Release 2.8, a new system value FILTERLIST had been added, which allows IP Source Addresses to be filtered for additional security. For more details, see Chapter 2, "Security" in the *4600 Series IP Telephone LAN Administrator Guide*.

TFTP/HTTP Processing

The IP telephone connects to the TFTP or HTTP/HTTPS server and looks for an upgrade script file.

During TFTP or HTTP processing for the 4601/4601+ IP Telephone, both Call Appearance Line indicators flash continuously 500 milliseconds on, 500 milliseconds off while all other LEDs remain lit. If the appropriate information cannot be discerned or is missing, both of the 4601's Call Appearance Line indicators flutter 50 milliseconds on, 50 milliseconds off three times. All other 4601/4601+ LEDs remain lit, and a reset occurs.

- The TFTP or HTTP server sends and identifies an upgrade script.

The read request packet might have to be sent several times. Each time the RRQ message is sent, all IP telephones except the 4601/4601+ display one of the following messages:

<pre>TFTP: # www.xxx.yyy.zzz</pre>

<pre>HTTP: n uri</pre>

For TFTP, # is the number of TFTP requests made by the telephone and **www.xxx.yyy.zzz** is the IP Address of the current TFTP request. For HTTP, **n** is the number of HTTP requests made by the telephone and **uri** is the URI for the current HTTP request.

- While the upgrade script file is being downloaded, all IP telephones except the 4601/4601+ display the following message:

<pre>46xxUPGRADE.SCR n KB received</pre>
--

where **n** is the number of KBs received from the TFTP server.

3. While the application file is downloaded to the IP telephone, all IP telephones except the 4601/4601+ display the following message:

```
filename  
n KB received
```

where *n* is the number of KBs received from the TFTP server. Then the telephone downloads the 46xxsettings.txt file.

4. While the application file is saved in flash memory, all IP telephones except the 4601/4601+ display the following message:

```
Saving to flash  
1%, 1 secs
```

with the percentage of the file and the number of elapsed seconds incremented as the application file is stored in flash memory.

Media Server Registration

The telephone contacts the Avaya Media Server and attempts to log in.

All IP telephones except the 4601 display the following prompt for an extension:

```
Extension=nnnnnn  
#=OK NEW=_
```

The 4601/4601+ IP Telephone indicates the server is waiting for an extension entry by flashing the Message Waiting Indicators 500 milliseconds on, 500 milliseconds off. The Message Waiting indicators are located at the top of the telephone and the Message button LED on the left middle of the faceplate.

1. Enter a new extension, ending with the # button. All telephones except the 4601/4601+ display each digit entered, while the 4601/4601+ provides LED and button-click feedback. To register the telephone without the extension or password (unnamed), press only the # button or make no entry and wait 60 seconds.

Note:

Unnamed registration is the capability to register a telephone with the call server without entry of an extension or password. Telephones registered unnamed have limited functionality. For more information, see [Unnamed Registration](#) on page 45.

All IP telephones except the 4601/4601+ display the following prompt for a password:

```
Password=_  
#=OK
```


2. Enter the password, ending with the # button. The 4601/4601+ provides LED and button-click feedback for each digit upon entry. To register the telephone without the extension or password (unnamed), press only the # button or make no entry and wait 60 seconds.

Except for the 4601 and 4601+, the extension is visible as you enter it but the password displays as asterisks. The 4601/4601+ just provides LED and button-click feedback for password entry.

3. If entered, the system determines whether the extension is in use and if the password is valid.
4. Successful completion of this process produces the dial tone.

The IP telephone was installed successfully.

Downgrading Avaya IP Telephones (H.323 Only)

Important:

We strongly recommend that you upgrade DEFINITY to the latest release rather than take the extreme steps in this section. There is no reason currently known to downgrade any Avaya IP Telephone except to install a 4612 or 4624 IP Telephone on a DEFINITY switch with a release prior to R9.5.

CAUTION:

Never attempt to downgrade an Avaya 4630 IP Telephone with a release earlier than R1.8.

Create a TFTP server. Provide it with an IP Address (IP_tftp) *on the same sub-net* as the IP telephones you want to downgrade. Then:

1. Install the R1.1 software for DEFINITY Release 9 or R1.0 for DEFINITY Release 8.4 on the TFTP server.
2. Manually assign the IP Addresses for each 4612 or 4624, as indicated in [Static Addressing Installation](#) on page 54 - including the FileSvr (IP_tftp).
3. Reboot the 4612 or 4624. The telephone downloads and installs the old boot code. This results in the manual addresses of the IP telephones being erased.
4. Manually assign the IP Addresses for each 4612 or 4624 including the FileSvr (IP_tftp).
5. Reboot the 4612 or 4624. The telephone will download and install the R1.1 or R1.0 release.
6. Manually assign the IP Addresses to each 4612 or 4624. Assign **0.0.0.0** for the FileSvr. This will prevent the telephones from upgrading until you are ready for them to upgrade.
7. Remove the old software from the TFTP server. Removing the old software prevents some other Avaya IP Telephone from inappropriately downgrading.

Converting Software on Avaya 4600 Series IP Telephones

The 4602SW+, 4610SW, 4620SW, and 4621SW IP Telephones use either H.323 or SIP software. These telephones come from the factory with H.323 software loaded by default. This section describes how to convert from H.323 to SIP software, or from SIP to H.323 software.

There are several H.323 to SIP or SIP to H.323 conversion scenarios, and each scenario depends on whether the majority of your telephones are H.323 or SIP:

- **H.323-Centric** - an environment where the majority of IP telephones are and will remain running H.323 software, but some telephones will become SIP IP telephones. In an H.323-centric environment, the **46xxH323...** software bundle must reside on the HTTP server and Communication Manager must be configured with the appropriate H.323 parameters. To convert an individual telephone from H.323 to SIP, both the SIP Enablement Services (SES) server and Avaya Communication Manager (CM) must be configured with the appropriate SIP parameters. Any telephone in use prior to conversion must run Release 2.0 or greater software with a SIG parameter value of "default" (H.323). See [Table 1](#), the [H.323 to SIP and SIP to H.323 Conversion Chart](#) for conversion instructions.
- **SIP-Centric** - an environment where the majority of IP telephones are or will become SIP telephones running SIP software. In a SIP-centric environment, the **46xxSIP...** software bundle must reside on the HTTP server and both SES and CM must be configured with the appropriate SIP parameters. To convert an individual telephone from SIP to H.323, Avaya Communication Manager (CM) must be configured with the appropriate H.323 parameters. Any telephone in use prior to conversion must run Release 2.0 or greater software with a SIG parameter value of "default" (SIP). See [Table 1](#), the [H.323 to SIP and SIP to H.323 Conversion Chart](#) for conversion instructions.

What makes an environment H.323 or SIP depends on the type of upgrade script files the environment is running (H.323 or SIP) and the Signaling Protocol Identifier (SIG) parameter setting. The SIG parameter has three possible values:

- Default - either H.323 or SIP, set automatically for all telephones depending on the nature of files downloaded to the SES server or Communication Manager.
- H.323 - manually set to H.323 for a specific telephone by an installer or administrator according to the procedures in this section.
- SIP - manually set to SIP for a specific telephone by an installer or administrator according to the procedures in this section.

Converting 4602+/4610SW/4620SW/4621SW IP Telephones

An H.323 IP telephone can be either in use with possible customized settings or out of the box with factory default settings. An out of the box telephone requires accessing the manual programming mode early in the process and setting the Signaling Protocol Identifier (SIG) parameter to "SIP." Converting to SIP early avoids having to first load H.323 software, log in, and then invoke the "in use" process to load the SIP software.

Note:

For information about the SIG parameter, see "Choosing the Right Application File and Upgrade Script File" in the *4600 Series IP Telephone LAN Administrator Guide* (Document Number 555-233-507). For information on setting or changing the SIG parameter, see [Signaling Protocol Identifier](#) on page 77.

Table 1: H.323 to SIP and SIP to H.323 Conversion Chart

Environment	To convert this type of telephone	To this type of telephone	Then:
H.323-centric	H.323 in use	SIP	Perform the Mute SIG procedure to change the SIG parameter value from "default" to "2" (SIP). For information, see Signaling Protocol Identifier on page 77. Press * to save the SIG parameter change. Restart the telephone as covered in Restart the Telephone on page 76.
H.323-centric	H.323 factory set	SIP	Connect the telephone to a power source and to the network. As soon as you see the DHCP prompt, press * to enter manual programming mode. Press # multiple times to accept the existing values until the telephone displays "Enter command." Perform the Mute SIG procedure and change the value from "default" to "2" (SIP). Press * to save the SIG parameter change. Restart the telephone as covered in Restart the Telephone on page 76.

Table 1: H.323 to SIP and SIP to H.323 Conversion Chart (continued)

Environment	To convert this type of telephone	To this type of telephone	Then:
H.323-centric	SIP	H.323	<p>Perform the Mute SIG procedure to change the SIG parameter value from “2” (SIP) to “default” (H323). For information, see Signaling Protocol Identifier on page 77.</p> <p>Press * to save the SIG parameter change. Restart the telephone as covered in Restart the Telephone on page 76.</p> <p>Save the change & restart telephone.</p>
SIP-centric	SIP	H.323	<p>Perform the Mute SIG procedure to change the SIG parameter value from “default” to “1” (H323). For information, see Signaling Protocol Identifier on page 77.</p> <p>Press * to save the SIG parameter change. Restart the telephone as covered in Restart the Telephone on page 76.</p>
SIP-centric	H.323 in use	SIP	<p>Perform the Mute SIG procedure to change the SIG parameter value from “1” (H323) to “default” (SIP). For information, see Signaling Protocol Identifier on page 77.</p> <p>Press * to save the SIG parameter change. Restart the telephone as covered in Restart the Telephone on page 76.</p>
SIP-centric	H.323 factory set	SIP	<p>No action is required because the Signaling Protocol Identifier (SIG) defaults to SIP. Upon power-up & network connection, the telephone automatically downloads the proper SIP files from SES/CM.</p>

Unnamed Registration

As of Release 2.4, 4600 Series IP Telephones support unnamed registration. A telephone can register with the call server and receive limited service without requiring an extension and password entry. Unless otherwise disabled, the telephone automatically attempts to register unnamed if no action is taken on the **Extension** entry screen.

A telephone registered without the extension and password has the following characteristics:

- only one call appearance, preventing conferences or call transfers,
- no administrable feature buttons,
- on-hook dialing cannot be invoked,
- limited to the calling capability administered for PSA (Personal Station Access) on the call server, for example, only outgoing calls permitted subject to call server Class of Restriction/Class of Service limitations, and
- can be converted to normal, named registration by a valid extension and password entry.

The telephone can be administered to avoid unnamed registration and remain unregistered if no extension and password are provided. For more information, see the *4600 Series IP Telephone LAN Administrator Guide*.

802.1X Supplicant Operation

If your environment uses the IEEE 802.1X standard, consult the LAN Administrator before you install any of these 4600 Series IP Telephone models:

- 4602SW+
- 4610SW
- 4620SW
- 4621SW
- 4622SW
- 4625SW

802.1X operation can differ for each network. Consulting with the LAN Administrator helps determine the best way to install IP telephones to operate under this standard.

4600 Series IP Telephone Installation

In general, each telephone must have an 802.1X ID and password so that the network access process is successful. When operating under 802.1X, Avaya suggests that you:

- pre-stage installation in a lab or on a small non-802.1X network, avoiding 802.1X authentication until after the telephone receives an application software download,
- connect the telephones with upgraded software to the network under which they will normally operate, and
- perform the [Set the 802.1X Operational Mode](#) procedure for each telephone to assign an 802.1X operational mode.

Your Avaya technical consultant can assist you in optimizing 4600 Series IP Telephone installation in an 802.1X environment.

Chapter 3: Local Administrative Options

Introduction

After you have successfully installed an IP telephone, you might be instructed to administer one of the options described in this chapter.

Note:

You can modify the settings file to set parameters for IP telephones that download their upgrade script and application files from the same TFTP or HTTP server. See the section on “4600 Series IP Telephone Scripts and Application Files” in Chapter 4 of the *4600 Series IP Telephone LAN Administrator Guide*.

Because the 4601 and 4601+ IP Telephones do not have a display, they are limited in their ability to support Local Administrative Procedures. Specifically, the **only** Local Administrative Procedures the 4601/4601+ supports are:

- RESET (and Restart)
- SIG
- SSON
- TEST
- CHADDR (DHCP Client Hardware Address)
- ALERT
- TAG
- LOG
- LOGOFF
- AGC (for handset only)

In addition, because it lacks a display to provide visual feedback during data entry, the 4601 IP Telephone has unique data entry and feedback procedures. See [Entering Data for the 4601 IP Telephone](#) on page 50.

 **CAUTION:**

Perform these procedures **only** if instructed to do so by the system or LAN administrator.

Static administration of these options causes upgrades to work differently than if they are administered dynamically. Values assigned to options in static administration are not changed by upgrade scripts. These values remain active for the telephone until either:

- a new boot file is downloaded, or
- the IP telephone is reset, as indicated in [Reset System Values](#) on page 75.

Aside from SSON, use these option-setting procedures **only** with static addressing and, as always, only if instructed by the system or LAN administrator. Aside from SSON, do **not** use these option-setting procedures if you are using DHCP. DHCP is the Dynamic Addressing Process, as indicated in [Dynamic Addressing Process](#) on page 36.

Entering Data for Administrative Options

This section applies to all IP telephones with a display. It does not apply to the 4601 IP Telephone, which does not have a display. This section describes how to enter data for administrative options.

1. Invoke all local procedures by pressing the **Hold** or **Mute** button, up to 7 numeric dial pad buttons, and the **#** button. The 4630/4630SW IP Telephones and the 4690 IP Conference Telephone do not have a dedicated **Hold** button. On these phones, you must use the **Mute** button to access these options.

A 6-second timeout is in effect between button presses after pressing the **Hold** button. If you do not press a valid button within 6 seconds of pressing the previous button, the collected digits are discarded. In this case, no administrative option is invoked.

2. Attempts to enter invalid data are rejected, and the telephone emits an error beep.
3. If you enter a numeric digit for a value or for an IP Address or subnet mask field after entering only a zero, the new digit replaces the zero.
4. Press the **#** button to go to the next step.

5. How to backspace depends on the type of telephone being installed, as shown in this chart:

IP Telephone #	Backspace Alternative
4601	Call Appearance a button
4601+	Call Appearance a button
4602	Speaker button
4602SW	Speaker button
4602SW+	Speaker button
4606	Conference button
4610SW	Left-most softkey
4612	Left-most softkey or Previous button
4620	Left-most softkey
4620SW	Left-most softkey
4621SW	Left-most softkey
4622SW	Left-most softkey
4624	Left-most softkey or Previous button
4625SW	Left-most softkey
4630	Headset button
4630SW	Headset button
4690	Left-most softkey

When you press the applicable button or key to backspace, the most recently entered digit or period is erased from the display. The cursor remains in the erased character's former position.

6. If **PROCPSWD** is administered as indicated in Chapter 4 of the *4600 Series IP Telephone LAN Administrator Guide*, you must type the **Local Procedure password** after pressing **Mute** and before pressing the code for your given local programming option.

Note:

If **PROCSTAT** has been administered to **1**, as described in Chapter 4 of the *4600 Series IP Telephones LAN Administrator Guide*, you will not be able to invoke any administrative options other than **V I E W**.

Note:

Manual addressing can be implemented regardless of the administered values of **PROCSTAT** and **PROCPSWD**. See [Static Addressing Installation](#) on page 54.

Entering Data for the 4601 IP Telephone

Because the 4601 IP Telephone has no display, its LEDs indicate:

- when data entry is required,
- whether processing is taking place, prohibiting data entry, and
- confirmation that a process or procedure is complete.

Note:

This procedure also applies to the 4601+ IP Telephone.

1. Invoke all local procedures by pressing the **Hold** button, up to 7 numeric dial pad buttons, and the **#** button.

A 6-second timeout is in effect between button presses after pressing the **Hold** button. If you do not press a valid button within 6 seconds of pressing the previous button, the collected digits are discarded. In this case, no administrative option is invoked.

2. Attempts to enter invalid data are rejected, and the telephone emits an error beep.
3. Press the **#** button to go to the next step.
4. To backspace within a field, press **Call Appearance a's** Line button.
5. The following chart provides specific 4601 data entry/telephone interaction information.

If	Then
User input is expected/ required	The Message Waiting indicator at the top of the telephone and the Message button LED on the faceplate flash 500 milliseconds on, 500 milliseconds off.
The telephone is providing feedback after an entry of one or more numeric digits from 1 to 9	Call Appearance Line a 's indicator winks 200 milliseconds on, 50 milliseconds off <i>n</i> times for digit <i>n</i> . For example, if you press 2 as the first digit of a value like the SSON, Call Appearance Line a 's indicator winks two times. For values having more than one digit with a second numeric digit from 1 to 9, Call Appearance Line b 's indicator winks 200 milliseconds on, 50 milliseconds off <i>n</i> times for digit <i>n</i> . For example, if you press 4 as the SSON's second digit, Call Appearance Line b 's indicator then winks four times. Each subsequent digit of a specific value causes Call Appearance Lines a and b to alternate winks.
The telephone is providing feedback after an entry of 0 (zero)	Pressing 0 (zero) for a value causes the appropriate Call Appearance Line indicator to flutter five times, 50 milliseconds on, 50 milliseconds off.

If	Then (continued)
In certain procedures, for example, SSON or to display the extension number, a value already exists and you press the # button to indicate you either want to enter a new value or have the current value displayed	The Message Waiting indicator at the top of the telephone and the Message button's LED on the faceplate are lit but not flashing. Call Appearance Line a alternating with line b after an 1800 millisecond pause, if the value has more than one digit winks 600 milliseconds on, 200 milliseconds off <i>n</i> times for digit <i>n</i> to indicate the current value. The appropriate Call Appearance Line indicator flutters five times to indicate the digit zero. After feedback of the current value, the Message Waiting indicator at the top of the telephone and the Message button's LED flash 500 milliseconds on, 500 milliseconds off to indicate user input is expected/required.
User input is not allowed for example, during processing	The Message Waiting indicator at the top of the telephone and the Message button LED on the faceplate are steadily lit.
The telephone's boot image is in the process of being upgraded	All LEDs, meaning Call Appearance Lines a and b , and both Message indicators, light steadily during the download process.
An error beep tone sounds	An invalid button was pressed. Try again.

2 of 2

About Local Administrative Procedures

Local administrative procedures allow you to customize the 4600 Series IP Telephone installation for your specific operating environment. This section provides a description of each local administrative option covered in this guide, with references to the pages on which the option appears.

Local Programming Option	Code	See
802.1X	8 0 2 1 9 (8 0 2 1 X)	Set the 802.1X Operational Mode on page 53.
Static addressing	A D D R (2 3 3 7)	Static Addressing Installation on page 54.
Automatic Gain Control	A G C (2 4 2)	Disable/Enable Automatic Gain Control on page 58.
Visual Alerting mode control	A L E R T (2 5 3 7 8)	Visual/Audible Alerting Procedure on page 59.

1 of 2

Local Administrative Options

Local Programming Option	Code	See
DHCP chaddr field value	C H A D D R (2 4 2 3 3 7)	Manually Setting the DHCP Client Hardware Address on page 61.
Clear values to factory defaults	C L E A R (2 5 3 2 7)	Clear Procedure on page 62.
Contrast Control	C O N T (2 6 6 8)	Adjusting the Contrast Control on page 64.
Computer-Telephony Integration	C T I (2 8 4)	Computer-Telephony Integration (CTI) Enable/Disable on page 65.
FKEU (XMOD) Enable/Disable	F K E U (3 5 3 8 #)	Enabling/Disabling the FKEU (XMOD) Interface on page 66
Group Identifier (Release 2.0 and later only)	G R O U P (4 7 6 8 7)	Group Identifier on page 67.
PC Ethernet Interface	I N T (4 6 8)	Interface Control on page 68.
Event Logging	L O G (5 6 4)	Disable/Enable Event Logging on page 71.
Log off the telephone	L O G O F F (5 6 4 6 3 3)	Logoff on page 72.
Turn Display Backlight Off	O F F (6 3 3)	Turning Off the Backlight on page 73.
Quality of Service options	Q O S (7 6 7)	QoS Option Setting on page 73.
Reset the telephone	R E S E T (7 3 7 3 8)	Reset System Values on page 75.
Restart the telephone	R E S E T (7 3 7 3 8)	Restart the Telephone on page 76.
Signaling protocol identifier (Release 2.0 and later only)	S I G (7 4 4)	Signaling Protocol Identifier on page 77.
Site-Specific Option Number	S S O N (7 7 6 6)	Site-Specific Option Number Setting on page 79.
Layer 2 frame tagging control (4601/4601+ only)	T A G (8 2 4)	Setting L2Q Tagging Control (4601 Only) on page 80.
Test the telephone	T E S T (8 3 7 8)	Self-Test Procedure on page 81.
View System Parameter Values	V I E W (8 4 3 9)	The View Administrative Option on page 85.

2 of 2

Set the 802.1X Operational Mode

Use the following procedure to set or change the operational mode.

1. While the phone is on-hook and idle, press the following sequence of keys on the faceplate of the telephone:

Mute 8 0 2 1 9 # (Mute 8 0 2 1 x #)

Note:

Press the **Mute** button momentarily. Do not press this button while pressing other keys/buttons. The 4630/4630SW IP Telephones and the 4690 IP Conference Telephone do not have a dedicated **Hold** button. For all other 4600 Series IP Telephones, pressing the **Hold** button instead of the **Mute** button also works.

2. After entry of the command sequence, all telephones display the following text:

```
802.1X=setting
*=change #=OK
```

where **setting** is the current value of the system value DOTIX (802.1X Supplicant Mode), defined as:

- Unicast Supplicant operation only with PAE multicast pass-thru, without Logoff if setting = 0
- Unicast Supplicant operation only with PAE multicast pass-thru and proxy Logoff if setting = 1
- Unicast or multicast Supplicant operation without PAE multicast pass-thru or proxy Logoff if setting = 2

3. To change the mode value, press *.

Depending on the current value, the next sequential valid mode value is selected and displayed as the setting. For example, if the current value is Pass-thru (0), pressing * changes the value to 1 (Pass-thru with Logoff). If the current value is Supplicant mode (2), pressing * changes the value to 0 (Pass-thru).

If a value different from the current 802.1X value is entered, all telephones except the 4601 display the following text left-justified at the top of the display:

```
Save new value?
*=no    #=yes
```

4. Press the * button to terminate the procedure, or the # button to save the new value. If you press the # button, all telephones except the 4601 display the following text:

```
New value being saved
```

The telephone saves the new value.

Pre-Installation Checklist for Static Addressing

Before performing static addressing, verify that all the requirements listed in the [Requirements to Verify about the Network](#) section of the [Pre-Installation Checklist](#) are met. You do not have to consider item [4](#), on page 20, as it refers to the DHCP server. In addition, you must have the values for the following parameters. Failure to do so can cause data entry errors that prevent the telephone from working. Such errors can also have a negative impact on your network. Print copies of this checklist for each subnet.

- 1. The IP Address of the media server/gatekeeper (H.323) or the Registration Server (SIP).
- 2. The transport layer port number of the address of the Management Complex (media server/gatekeeper, applicable only to telephones running H.323 software). Although this can be a value between 0 and 65535, the default value is **1719**. **Do not** change this value unless it conflicts with an existing port assignment.

For SIP, the transport layer port number of the Registration Server; the default is **5060**.

- 3. The IP Address of the gateway/router.
- 4. The IP netmask.
- 5. The IP Address of the TFTP server.

Static Addressing Installation

The usual way to assign IP Addresses to IP telephones is the automatic method described in [Dynamic Addressing Process](#). There might be times, however, when manual assignment of IP Addresses is desired.



CAUTION:

Static addressing is necessary when a DHCP server is unavailable.

Because of the difficulties associated with static addressing, we very strongly recommend that a DHCP server be installed and static addressing avoided.

Note:

The displays on the 4602, 4602SW, 4602SW+, 4610SW, 4612, 4620, 4620SW, 4621SW, 4622SW, 4624, 4625SW, 4630, 4630SW, and 4690 IP Telephones accommodate 24 characters per line. The display on the 4606 Telephone accommodates 16 characters per line. Here and in the procedures that follow, the example on the left shows the 4602, 4602SW, 4602SW+, 4610SW, 4612, 4620, 4620SW, 4621SW, 4622SW, 4624, 4625SW, 4630, 4630SW, and 4690 Telephones' display. The example on the right shows the 4606 Telephone's display. Showing only one example means that example applies to all 4600 Series IP Telephones with displays.

The 4601 IP Telephone does not support static addressing.

Use the following procedure to invoke manual address information programming.

1. Start manual address programming by performing one of the following steps:
 - a. During normal DHCP processing, press the * key while “* to program” displays during the DHCP process. This method is available regardless of the administration of **PROCSTAT** and **PROCPSWD**.
 - or
 - b. While the telephone is on-hook and idle, press the following sequence of keys on the faceplate of the telephone:
Mute 2 3 3 7 # (Mute A D D R #)

Note:

Press the **Mute** button momentarily. Do not press this button while pressing other keys/buttons. The 4630/4630SW IP Telephones and the 4690 IP Conference Telephone do not have a dedicated **Hold** button. For all other 4600 Series IP Telephones, pressing the **Hold** button instead of the **Mute** button also works.

The following message displays:

Phone= <i>nnn.nnn.nnn.nnn</i> New=_	or	<i>nnn.nnn.nnn.nnn</i> Phone=_
--	----	-----------------------------------

where *nnn.nnn.nnn.nnn* is the value of the telephone.

2. Enter the **telephone's IP Address** followed by the # button.

The following message displays:

CallSv= <i>nnn.nnn.nnn.nnn</i> New=_	or	<i>nnn.nnn.nnn.nnn</i> CallSv=_
---	----	------------------------------------

where *nnn.nnn.nnn.nnn* is the value of the media server/gatekeeper (H.323) or Registration Server (SIP) IP Address.

Local Administrative Options

3. Enter the **Gatekeeper IP Address (H.323)** or **Registration Server IP Address (SIP)** followed by the # button.

The following message displays:

```
CallSvPort=nnnnn
New=_
```

where *nnnnn* is the value of the Management Complex (media server/gatekeeper) transport-layer port number, a value between 0 and 65535.

4. Enter the appropriate value for the **Port Number** followed by the # button.

The following message displays:

```
Router=nnn.nnn.nnn.nnn
New=_
```

or

```
nnn.nnn.nnn.nnn
Router=_
```

where *nnn.nnn.nnn.nnn* is the value of the gateway/router IP Address.

5. Enter the **Gateway router IP Address** followed by the # button.

The following message displays:

```
Mask=nnn.nnn.nnn.nnn
New=_
```

or

```
nnn.nnn.nnn.nnn
Mask=_
```

where *nnn.nnn.nnn.nnn* is the value of the IP netmask.

6. Enter the **IP netmask** followed by the # button.

The following message displays:

```
FileSv=nnn.nnn.nnn.nnn
New=_
```

or

```
nnn.nnn.nnn.nnn
FileSv=_
```

where *nnn.nnn.nnn.nnn* is the value of the TFTP server IP Address.

7. Enter the **TFTP/HTTP Server IP Address** followed by the # button.

One of the following texts displays left-justified at the top of the display, depending on the current status of 802.1Q:

If 802.1Q is off:

```
802.1Q=off
1=on #=OK
```

If 802.1Q is on:

```
802.1Q=on
0=off #=OK
```


8. Press the **1** or **0** button to turn **802.1Q** on or off respectively.

The display is updated to show the current status of 802.1Q.

9. Press the **#** button to continue the procedure without changing the displayed status of 802.1Q

The following text displays left-justified at the top of the display:

```
VLAN ID=dddd
New= _
```

where **dddd** is the value of the 802.1 VLAN ID.

10. Enter a valid value between 0 and 4094 for the new value of the 802.1 **VLAN ID**.

The following message displays:

```
VLAN test=ddd
New= _
```

where **ddd** is the value of the **DHCPOFFER** wait period.

11. Enter a valid value between 0 and 999 for the new value of the **DHCPOFFER** wait period.

The following message displays:

```
Save new
values?
*=no #=yes
```

12. Press the **#** button to save the new values you entered.

The following message displays:

```
New values
being saved
```

Once the new values are stored, the telephone is reset.

If a new boot program is downloaded from the TFTP server after you enter static addressing information, you must reenter your static addressing information.

Disable/Enable Automatic Gain Control

Use the following procedure to turn automatic gain control for the handset, headset, and/or the Speaker on or off.

1. While the telephone is on-hook and idle, press the following sequence of keys on the faceplate of the telephone:

Mute 2 4 2 # (Mute A G C #)

Note:

Press the **Mute** button momentarily. Do not press this button while pressing other keys/buttons. The 4630/4630SW IP Telephones and the 4690 IP Conference Telephone do not have a dedicated **Hold** button. For all other 4600 Series IP Telephones, pressing the **Hold** button instead of the **Mute** button also works.

2. After entry of the command sequence, all telephones except the 4601 display the following, based on the current value of the system value AGCHAND:

If AGCHAND = 1:

Handset AGC= on 0= off #= OK
--

If AGCHAND = 0:

Handset AGC= off 1= on #= OK
--

3. To change the AGC Handset value from On to Off, press **0**. To change the AGC Handset value from Off to On, press **1**.

If the telephone has a Headset interface one of the following displays, based on the current value of the system value AGCHEAD:

If AGCHEAD = 1:

Headset AGC= on 0= off #= OK
--

If AGCHEAD = 0:

Headset AGC= off 1= on #= OK
--

If the telephone does not have a headset interface, proceed to Step 5.

4. To change the AGC Headset value from On to Off, press **0**. To change the AGC Headset value from Off to On, press **1**.

One of the following displays, based on the current value of the system value AGCSPKR:

If AGCSPKR = 1:

Speaker AGC= on 0= off #= OK
--

If AGCSPKR = 0:

Speaker AGC= off 1= on #= OK
--

5. To change the AGC Speaker value from On to Off, press **0**. To change the AGC Speaker value from Off to On, press **1**.

If a value different from the current AGCHAND value and/or the current AGCHEAD value and/or the current AGCSPKR value is entered, all telephones except the 4601 display the following text left-justified at the top of the display:

```
Save new value?
*=no    #=yes
```

6. Press the ***** button to terminate the procedure, or the **#** button to save the new value(s). If you press the **#** button, all telephones except the 4601 display the following text:

```
New value being saved
```

The telephone saves the new value(s).

Visual/Audible Alerting Procedure

Use this procedure to set or change the Alerting mode. As of software Release 2.2, all 4600 Series IP Telephones can alert a user to incoming calls audibly (the default) or both audibly and visually. Visual alert is useful in noisy environments where an audible alert might not be heard, or to tell at a glance which of several phones is ringing.

1. While the telephone is on-hook and idle, press the following sequence of keys on the telephone's faceplate:

Mute 2 5 3 7 8 # (Mute A L E R T #)

Note:

Press the **Mute** button momentarily. Do not press this button while pressing other keys/buttons. The 4630/4630SW IP Telephones and the 4690 IP Conference Telephone do not have a dedicated **Hold** button. For all other 4600 Series IP Telephones, pressing the **Hold** button instead of the **Mute** button also works.

All IP telephones except the 4601 display the following text left-justified at the top of the display:

```
Alerting=setting
*=change #=OK
```

Local Administrative Options

where **setting** corresponds the current Alert value (NVALERT):

- Setting is **audible-only** when NVALERT = 0
- Setting is **audible/visual** when NVALERT = 1

As of software Release 2.8, the system value AUDASYS can be set to allow or prevent the user from changing the type of alerting (audio or visual), as specified in Chapter 4 of the *4600 Series IP Telephone LAN Administrator Guide*:

- When AUDASYS is set to 0, the user is allowed visual alerting only (audible alerting is not allowed, regardless of the value NVALERT).
- When AUDASYS is set to 1, the user is allowed audible alerting only (visual alerting is not allowed, regardless of the value of NVALERT). When visual alerting is not allowed (AUDASYS is set to 1), the user is not allowed to reduce the audio alerter below the minimum loudness level.
- When AUDASYS is set to 2, the user is allowed visual alerting, and is also allowed to change to audible alerting (regardless of the value of NVALERT).
- When AUDASYS is set to 3, the user is allowed audible alerting, and is also allowed to change to visual alerting (regardless of the value of NVALERT).
- When AUDASYS is not set in the settings file, the default value of 3 is used unless NVALERT is set to 0.

Because it does not have a display, the 4601 IP Telephone's Call Appearance Line **a**'s indicator winks out the current NVALERT value 600 milliseconds on, 200 milliseconds off, where one wink represents "0" for audible only and two winks represent "1" for audible/visual. If the current value is zero (the default), Call Appearance Line **a**'s indicator flutters five times 50 milliseconds on, 50 milliseconds off instead of winking. After the 4601 "displays" the current NVALERT value, the Message Waiting indicator at the top of the telephone and the Message button LED on the faceplate flash 500 milliseconds on, 500 milliseconds off to indicate an entry is expected.

2. To change the Alerting value, press *.

Depending on the current value, the other value is selected and displayed. For example, if the current value is audible/visual (1), pressing * changes the value to 0 (audible only, the default). If the current value is audible-only (0), pressing * changes the value to 1 (audible/visual).

All IP telephones except the 4601 display the following text left-justified at the top of the display:

```
Save new value?  
*=no    #=yes
```

The 4601 IP Telephone instead flashes both Message Waiting indicators 500 milliseconds on, 500 milliseconds off to indicate an entry is expected.

3. Press the * button to terminate the procedure, or the # button to save the new value. If you press the # button, all IP telephones except the 4601 display the following text:

New value being saved

The new value is saved.

Manually Setting the DHCP Client Hardware Address

Use this procedure to manually set or change the Client Hardware Address, if you use static addressing rather than DHCP.

1. While the telephone is on-hook and idle, press the following sequence of keys on the telephone's faceplate:

Mute 2 4 2 3 3 7 # (Mute C H A D D R #)

Note:

Press the **Mute** button momentarily. Do not press this button while pressing other keys/buttons. The 4630/4630SW IP Telephones and the 4690 IP Conference Telephone do not have a dedicated **Hold** button. For all other 4600 Series IP Telephones, pressing the **Hold** button instead of the **Mute** button also works.

All IP telephones except the 4601 display the following text left-justified at the top of the display:

chaddr=dddddd
New=

where **dddddd** is the value of NVCHADDR, the system variable for the DHCP Client Hardware Address.

Because it does not have a display, the 4601 IP Telephone's Call Appearance Line **a**'s indicator winks out the current NVCHADDR value 600 milliseconds on, 200 milliseconds off. If the current value is zero, Call Appearance Line **a**'s indicator flutters five times 50 milliseconds on, 50 milliseconds off instead of winking.

After the 4601 "displays" the current value, the Message Waiting indicator at the top of the telephone and the Message button LED on the faceplate flash 500 milliseconds on, 500 milliseconds off to indicate an entry is expected.

2. To change the Client Hardware Address value, enter a valid client hardware address. This value is usually the MAC address, which DHCP then converts to an integer preceded by zeroes.

The 4601 provides feedback for each digit as you enter it using both Call Appearance Line indicators. The indicators alternate winking the number of times represented by the digit you press 200 milliseconds on, 50 milliseconds off. For example, if the first digit of the address is

Local Administrative Options

“2,” pressing the number **2** on the dial pad causes Call Appearance Line **a**’s indicator to wink two times. If the second digit you press is “4,” after an 1800 millisecond pause, Call Appearance Line **b**’s indicator winks four times. Pressing “0” (zero) on the dial pad causes the appropriate indicator to flutter three five 50 milliseconds on, 50 milliseconds off.

Then the 4601 flashes both Message Waiting indicators 500 milliseconds on, 500 milliseconds off to indicate an entry is expected.

For all IP telephones except the 4601, if a value different from the current value of NVCHADDR is entered, the following text displays left-justified at the top of the display:

```
Save new value?  
*=no      #=yes
```

3. Press the * button to terminate the procedure, or the # button to save the new value. If you press the # button, all IP telephones except the 4601 display the following text:

```
New value being saved
```

All phones save the new value.

Clear Procedure

Sometimes, you might want to remove *all* administered values, user-specified data, and option settings. Essentially, you want to return a telephone to its initial “clean slate” condition. This is usually done when passing a telephone to a new, dedicated user when the user’s **LOG OFF** option is not sufficient. For example, a new user is assigned the same extension, but requires different permissions than the previous user.

The **CLEAR** option erases all administered data—static programming, file server and call server programming, and user settings including Speed Dial button labels and locally programmed Feature button labels, and restores all such data to default values. The **CLEAR** option does not affect the software load itself. If you have upgraded the telephone, the telephone retains the latest software. Once you have cleared a telephone, you can administer it normally.



CAUTION:

This procedure erases all administered data, without any possibility of recovering the data.

Use the following procedure to clear the telephone of its administrative, user-assigned and options values.

1. While the telephone is on-hook and idle, press the following sequence of keys on the faceplate of the telephone:

Mute 2 5 3 2 7 # (Mute C L E A R #)

Note:

Press the **Mute** button momentarily. Do not press this button while pressing other keys/buttons. The 4630/4630SW IP Telephones and the 4690 IP Conference Telephone do not have a dedicated **Hold** button. For all other 4600 Series IP Telephones, pressing the **Hold** button instead of the **Mute** button also works.

The 4601 IP Telephone does not support the CLEAR procedure.

The following text displays left-justified at the top of the display:

```
Clear all values?  
*=no      #=yes
```

2. If you do not want to clear all values, press * (no) to terminate the procedure and retain the current values.

A screen displays the following prompt on the top line:

```
Are you sure?  
*=no      #=yes
```

3. Press the * button to terminate the procedure without clearing the values. Press the # button to clear all values to their initial default values.

A confirmation tone sounds. If the telephone already has an IP Address that was obtained through DHCP the telephone transmits a DHCPRELEASE message. The following text displays left-justified at the top of the display:

```
Clearing values.
```

The telephone is cleared to its “out of the box” state.

Adjusting the Contrast Control

Use this procedure to adjust the contrast setting on any telephone with a display.

1. While the telephone is on-hook and idle, press the following sequence of keys on the telephone's faceplate:

Mute 2 6 6 8 # (Mute C O N T #)

Note:

Press the **Mute** button momentarily. Do not press this button while pressing other keys/buttons. The 4630/4630SW IP Telephones and the 4690 IP Conference Telephone do not have a dedicated **Hold** button. For all other 4600 Series IP Telephones, pressing the **Hold** button instead of the **Mute** button also works.

All IP telephones except those without displays present the following text left-justified at the top of the display:

```
>>>>>>>>
*= - 0=+ #=OK
```

where the number of chevrons (“>” characters) corresponds to the value of the NVCONTRAST system variable.

2. To lower the contrast, press *. To increase the contrast, press 0.

If the contrast is already at the lowest or highest value when an asterisk or zero value is selected, an error tone sounds. If a value different from the current value of NVCONTRAST is entered, the display updates immediately and the number of chevrons change accordingly.

3. Repeat Step 2 as needed until the desired contrast is reached. When the contrast is at the desired level, press #.

If selected contrast is equal to the NVCONTRAST value, the procedure terminates. If a new value was selected the following left-justified text displays:

```
Save new value?
*=no    #=yes
```

4. Press the * button to terminate the procedure, or the # button to save the new value. If you press the # button, all IP telephones except the 4601 display the following text:

```
New value being saved
```

All phones save the new value.

Computer-Telephony Integration (CTI) Enable/Disable

Use the following procedure to enable or disable the CTI interface.

Note:

The default for the CTI interface is **enabled**.

The 4601, 4601+, 4602, 4602SW, 4602SW+, and 4690 do not support the CTI interface. In addition, only telephones with H.323 software support the CTI interface.

1. While the telephone is on-hook and idle, press the following sequence of keys on the faceplate of the telephone:

Mute 2 8 4 # (Mute C T I #)

Note:

Press the **Mute** button momentarily. Do not press this button while pressing other keys/buttons. The 4630/4630SW IP Telephones and the 4690 IP Conference Telephone do not have a dedicated **Hold** button. For all other 4600 Series IP Telephones, pressing the **Hold** button instead of the **Mute** button also works.

One of the following texts displays left-justified at the top of the display, depending on the current value of the CTI:

If CTI=manual:

```
CTI>manual
0=Off #=OK
```

If CTI=disabled:

```
CTI=disabled
1=Manual #=OK
```

2. Press the **1** or **0** button to enable or disable the CTI interface respectively, or the **#** button to leave the current value. The following text displays left-justified at the top of the display:

```
UDP Port=497XX
New=_
```

where **497xx** is the value of the UDP port for CTI.

3. Enter a valid value between 49714 and 49721, inclusive for the **UDP Port** for CTI.

The following text displays left-justified at the top of the display:

```
Save new value?
*=no           #=yes
```

Local Administrative Options

4. Press the * button to terminate the procedure, or the # button to save the new values.

If you press the # button, the following text displays.

```
New value  
being saved
```

The new values are saved, and the user interface is restored to its previous state.

Enabling/Disabling the FKEU (XMOD) Interface

This procedure applies only to the 4610SW, 4620/4620SW, 4621SW, 4622SW, and 4625SW IP Telephones, which have a feature key expansion module (FKEU) interface jack. The interface jack provides connection for a button module, also called an expansion unit. This procedure enables or disables the FKEU protocol. To attach and use an expansion module with any of the telephones listed, the FKEU (XMOD) interface must be enabled.

1. While the telephone is on-hook and idle, press the following sequence of keys on the faceplate of the telephone:

Mute 3 5 3 8 # (Mute F K E U#)

Note:

Press the **Mute** button momentarily. Do not press this button while pressing other keys/buttons. Pressing the **Hold** button instead of the **Mute** button also works.

One of the following texts displays left-justified at the top of the display, depending on the current value of the system parameter NVXMOD:

If NVXMOD=1:

```
FKEU=on  
0=Off #=OK
```

If NVXMOD=0:

```
FKEU=off  
1=Manual #=OK
```

2. Press the 1 or 0 button to enable or disable the expansion module interface respectively, or the # button to leave the current value. The following text displays left-justified at the top of the display:

```
Save new values?  
*=no      #=yes
```

3. Press the * button to terminate the procedure, or the # button to save the new values.

If you press the # button, the following text displays.

```
New value
being saved
```

The new values are saved, and the user interface is restored to its previous state.

4. If a new value was not entered before the first time the # button was pressed, the following text displays:

```
No new values?
#=OK
```

Pressing the # button ends the procedure and restores the value to its previous state.

Group Identifier

Use the following procedure to set or change the Group Identifier.

Note:

Perform this procedure only if the LAN Administrator instructs you to do so.

The 4601 IP Telephone does not support the Group Identifier.

1. While the telephone is on-hook and idle, press the following sequence of keys on the faceplate of the telephone:

Mute 4 7 6 8 7 (Mute G R O U P)

Note:

Press the **Mute** button momentarily. Do not press this button while pressing other keys/buttons. The 4630/4630SW IP Telephones and the 4690 IP Conference Telephone do not have a dedicated **Hold** button. For all other 4600 Series IP Telephones, pressing the **Hold** button instead of the **Mute** button also works.

The following text displays left-justified at the top of the display:

```
Group=ddd
New=_
```

where **ddd** is the Group value.

Local Administrative Options

2. Enter a valid **Group** value (0-999).

If a value different from the current Group value is entered, the following text displays left-justified at the top of the display:

```
Save new
value?
*=no    #=yes
```

3. Press the * button to terminate the procedure, or the # button to save the new value. If you press the # button, the following text displays:

```
New value
being saved
```

The new value is saved and the user interface is restored to its previous state.

Interface Control

Use the following procedure to set or change the interface control value.

Note:

The 4601, 4602, and 4690 Telephones do not have Ethernet PC interfaces, so this procedure does not apply to those phones.

1. While the telephone is on-hook and idle, press the following sequence of keys on the faceplate of the telephone:

Mute 4 6 8 # (Mute I N T #)

Note:

Press the **Mute** button momentarily. Do not press this button while pressing other keys/buttons. The 4630 and 4630SW IP Telephones do not have a dedicated **Hold** button. For all other 4600 Series IP Telephones, pressing the **Hold** button instead of the **Mute** button also works.

2. For telephones that support an Infrared (IR) interface (4620 and 4620SW only), proceed directly to Step 7. If the telephones have an internal Ethernet switch, proceed to Step 3.

After entry of the command sequence, telephones with an internal Ethernet switch display the following text, depending on the current interface control value:

```
PHY1=status
*=change #=OK
```

where **status** is the value of PHY1STAT, defined as:

- Status is **auto** when PHY1STAT = 1
- Status is **10Mbps HDX** when PHY1STAT = 2
- Status is **10Mbps FDX** when PHY1STAT = 3
- Status is **100Mbps HDX** when PHY1STAT = 4
- Status is **100Mbps FDX** when PHY1STAT = 5

3. To change the PHY1 value, press *.

Depending on the current value, the next sequential valid PHY1 value is selected and displayed as the status. For example, if the current value is 10Mbps HDX (2), pressing * changes the value to 3 (10Mbps FDX). If the current value is 100Mbps FDX (5), pressing * changes the value to 1 (auto).

If a value different from the current PHY1STAT value is entered, the following text displays left-justified at the top of the display:

```
Save new
value?
*=no    #=yes
```

4. Press the * button to terminate the procedure, or the # button to save the new value. If you press the # button, the following text displays:

```
PHY2=status
*=change #=OK
```

where **status** is the value of PHY2STAT, defined as:

- Status is **disabled** when PHY2STAT = 0
- Status is **auto** when PHY2STAT = 1
- Status is **10Mbps HDX** when PHY2STAT = 2
- Status is **10Mbps FDX** when PHY2STAT = 3
- Status is **100Mbps HDX** when PHY2STAT = 4
- Status is **100Mbps FDX** when PHY2STAT = 5

5. To change the PHY2 value, press *.

Depending on the current value, the next sequential valid PHY2 value is selected and displayed as the status. For example, if the current value is 10Mbps HDX (2), pressing * changes the value to 3 (10Mbps FDX). If the current value is 100Mbps FDX (5), pressing * changes the value to 0 (disabled).

The following text displays left-justified at the top of the display:

```
Save new value?
*=no    #=yes
```

Local Administrative Options

6. Press the * button to terminate the procedure, or the # button to save the new values. If you press the # button, the following text displays.

```
New value  
being saved
```

The new values are saved and a restart occurs automatically. The user interface is restored to its previous state.

7. For telephones with an IR interface, after entry of the command sequence, one of the following texts displays, depending on the current value of the IRSTAT:

If IRSTAT=1:

```
IR=enabled  
0=disable #=OK
```

If IRSTAT=2:

```
IR=disabled  
1=enable #=OK
```

8. Press the 1 or 0 button to enable or disable the IR interface respectively, or press the # button to leave the current value. The following text displays left-justified at the top of the display:

```
Save new value?  
*=no      #=yes
```

9. Press the * button to terminate the procedure, or the # button to save the new values. If you press the # button, the following text displays.

```
New value  
being saved
```

The new values are saved, and a restart occurs automatically. The user interface is restored to its previous state.

Disable/Enable Event Logging

Use the following procedure to enable or disable logging of system events.

1. While the telephone is on-hook and idle, press the following sequence of keys on the faceplate of the telephone:

Mute 5 6 4 # (Mute L O G #)

Note:

Press the **Mute** button momentarily. Do not press this button while pressing other keys/buttons. The 4630/4630SW IP Telephones and the 4690 IP Conference Telephone do not have a dedicated **Hold** button. For all other 4600 Series IP Telephones, pressing the **Hold** button instead of the **Mute** button also works.

2. After entry of the command sequence, all telephones except the 4601 display the following text, depending on the current value of the system parameter NVLOGSTAT:

```
Log=status
*=change #=OK
```

where **status** is the type of logging indicated by the NVLOGSTAT value, defined as:

- Status is **disabled** when NVLOGSTAT = 0
- Status is **emergencies** when NVLOGSTAT = 1
- Status is **alerts** when NVLOGSTAT = 2
- Status is **critical** when NVLOGSTAT = 3
- Status is **errors** when NVLOGSTAT = 4
- Status is **warnings** when NVLOGSTAT = 5
- Status is **notices** when NVLOGSTAT = 6
- Status is **information** when NVLOGSTAT = 7
- Status is **debug** when NVLOGSTAT = 8

3. To change the logging status, press *.

Depending on the current value, the next sequential valid NVLOGSTAT value is selected and displayed as the status. For example, if the current value is alerts (2), pressing * changes the value to 3 (critical). If the current value is debug (8), pressing * changes the value to 0 (disabled).

If a value different from the current NVLOGSTAT value is entered, all telephones except the 4601 display the following text left-justified at the top of the display:

```
Save new value?
*=no    #=yes
```

Local Administrative Options

4. Press the * button to terminate the procedure, or the # button to save the new value. If you press the # button, all telephones except the 4601 display the following text:

New value being saved

The telephone saves the new value.

Logoff

Use the following procedure to log off a telephone.

 **CAUTION:**

Once a telephone is logged off, a password and extension might be needed to log back on.

Note:

Press the **Mute** button momentarily. Do not press this button while pressing other keys/buttons. The 4630/4630SW IP Telephones and the 4690 IP Conference Telephone do not have a dedicated **Hold** button. For all other 4600 Series IP Telephones, pressing the **Hold** button instead of the **Mute** button also works.

1. While the telephone is on-hook and idle, press the following sequence of keys on the faceplate of the telephone:

Mute 5 6 4 6 3 3 # (Mute L O G O F F #)

2. After entry of the command sequence, the telephone unregisters from the call server. Telephones with a display clear the display (and button module display, if applicable), then displays the following prompt for subsequent login:

Login
Enter Extension
Enter Extension and press Enter or OK

Turning Off the Backlight

This procedure applies only to 4600 Series IP Telephones with a display.

1. While the telephone is on-hook and idle, press the following sequence of keys on the faceplate of the telephone:

Mute 6 3 3 # (Mute O F F #)

Note:

Press the **Mute** button momentarily. Do not press this button while pressing other keys/buttons. The 4630 and 4630SW IP Telephones and the 4690 IP Conference Telephone do not have a dedicated **Hold** button. For all other 4600 Series IP Telephones, pressing the **Hold** button instead of the **Mute** button also works.

The display backlight of the telephone (and any attached EU24BL button module) goes off immediately and the user interface is restored to its previous state.

QoS Option Setting

Use the following procedure to set Quality of Service (QoS) options.

Note:

The 4601 IP Telephone does not support QoS Option Setting.

1. While the telephone is on-hook and idle, press the following sequence of keys on the faceplate of the telephone:

Mute 7 6 7 # (Mute Q O S #)

Note:

Press the **Mute** button momentarily. Do not press this button while pressing other keys/buttons. The 4630 and 4630SW IP Telephones and the 4690 IP Conference Telephone do not have a dedicated **Hold** button. For all other 4600 Series IP Telephones, pressing the **Hold** button instead of the **Mute** button also works.

The following text displays left-justified at the top of the display:

```
L2 audio=d
New=_
```

where *d* is the value of the 802.1 audio parameter.

Local Administrative Options

2. Enter a valid value between 0 and 7 for the new value of the **802.1 audio parameter**.

The following text displays left-justified at the top of the display:

```
L2 signaling=d
New=_
```

where **d** is the value of the 802.1 signaling parameter.

3. Enter a valid value between 0 and 7 for the new value of the **802.1 signaling parameter**.

The following text displays left-justified at the top of the display:

```
L3 audio=dd
New=_
```

where **dd** is the value of the Differential Services audio parameter.

4. Enter a valid value between 0 and 63 for the new value of the **Differential Services audio parameter**.

The following text displays left-justified at the top of the display:

```
L3 signaling=dd
New=_
```

where **dd** is the value of the Differential Services signaling parameter.

5. Enter a valid value between 0 and 63 for the new value of the **Differential Services signaling parameter**.

If no new values were entered during this procedure, the following text displays left-justified at the top of the display:

```
No new values.
#=OK
```

6. Press **#** to terminate the procedure.

If new values were entered during this procedure, the following text displays left-justified at the top of the display:

```
Save new values?
*=no      #=yes
```

7. Press the ***** button to terminate the procedure, or the **#** button to save the new values.

If you press the **#** button, the following text displays:

```
New values
being saved
```

The new values are saved, and the user interface is restored to its previous state.

Reset System Values

Use the following procedure to reset all system initialization values to the application software default values.

 **CAUTION:**

This procedure erases all static information, without any possibility of recovering the data.

1. While the telephone is on-hook and idle, press the following sequence of keys on the faceplate of the telephone:

Mute 7 3 7 3 8 # (Mute R E S E T #)

Note:

Press the **Mute** button momentarily. Do not press this button while pressing other keys/buttons. The 4630/4630SW IP Telephones and the 4690 IP Conference Telephone do not have a dedicated **Hold** button. For all other 4600 Series IP Telephones, pressing the **Hold** button instead of the **Mute** button also works.

The 4601 IP Telephone flashes both Message Waiting indicators 500 milliseconds on, 500 milliseconds off to indicate user input is expected. All other IP telephones display the following text left-justified at the top of the display:

```
Reset values?  
*=no    #=yes
```

 **CAUTION:**

As soon as you press the # button, all static information will be erased, without any possibility of recovering the data.

2. If you do not want to reset the system values, press * (no) and proceed to Step 4.

Pressing the pound sign (#) to reset the system values on a 4601 IP Telephone produces a confirmation tone. The 4601's Message Waiting indicators illuminate, but do not flash, to indicate no entry is allowed while the system values are being reset. All other phones display a screen with the following prompt on the top line:

```
Are you sure?  
*=no    #=yes
```

Local Administrative Options

3. Press the * button to continue without resetting the values and proceed to Step 4. Or, press the # button to reset values to their defaults.

All phones except the 4601 display the following text left-justified at the top of the display while the system values are reset to defaults:

```
Resetting
values.
```

The telephone resets from the beginning of registration, which takes a few minutes.

4. If you do not reset the telephone, all IP telephones except the 4601 display the following prompt:

```
Restart
phone?
*=no    #=yes
```

5. Press the * key to terminate the procedure without restarting the telephone. Otherwise, press # and perform the following Restart procedure.

Restart the Telephone

Use the following procedure to restart the telephone.

1. While the telephone is on-hook and idle, press the following sequence of keys on the faceplate of the telephone:

Mute 7 3 7 3 8 # (Mute R E S E T #)

Note:

Press the **Mute** button momentarily. Do not press this button while pressing other keys/buttons. The 4630/4630SW IP Telephones and the 4690 IP Conference Telephone do not have a dedicated **Hold** button. For all other 4600 Series IP Telephones, pressing the **Hold** button instead of the **Mute** button also works.

The 4601 IP Telephone flashes both Message Waiting Indicators 500 milliseconds on, 500 milliseconds off to indicate user input is expected. All other IP telephones display the following text left-justified at the top of the display:

```
Reset values?
*=no    #=yes
```

2. Press the **#** button to reset values to their defaults, or ***** to continue a restart without resetting the values to their defaults.

Pressing the pound sign (**#**) to reset the system values on a 4601 IP Telephone produces a confirmation tone. The 4601's Message Waiting indicators illuminate, but do not flash, to indicate no entry is allowed while the system values are being reset. All other phones display the following text left-justified at the top of the display while the system values are reset to defaults:

```
Resetting
values.
```

Once the system values are reset, the following prompt displays on all IP telephones, except the 4601:

```
Restart
phone?
*=no   #=yes
```

3. Press the ***** key to terminate the procedure without restarting the telephone.

Press the **#** key to restart the telephone.

The remainder of the procedure depends on the status of the boot and application files. See [Appendix A: Restart Scenarios](#).

Signaling Protocol Identifier

Use the following procedure to set or change the Signaling Protocol Identifier. A valid SIG Protocol Identifier is either **0** (default), **1** (H.323), or **2** (SIP).

Note:

Perform this procedure only if the LAN Administrator instructs you to do so.

1. While the telephone is on-hook and idle, press the following sequence of keys on the faceplate of the telephone:

Mute 7 4 4 (Mute S I G)

Note:

Press the **Mute** button momentarily. Do not press this button while pressing other keys/buttons. The 4630/4630SW IP Telephones and the 4690 IP Conference Telephone do not have a dedicated **Hold** button. For all other 4600 Series IP Telephones, pressing the **Hold** button instead of the **Mute** button also works.

Local Administrative Options

All IP telephones except the 4601 display the following text left-justified at the top of the display:

```
SIG=protocol
*=change #=OK
```

where ***protocol*** is the telephone's signaling protocol (H.323, SIP, or default) corresponding to the numeric identifier (1, 2, or 0).

Because it does not have a display, the 4601 IP Telephone's Call Appearance Line **a**'s indicator winks out the current SIG value 600 milliseconds on, 200 milliseconds off. One wink represents H.323 and two winks represent SIP. If the current value is zero (the default), Call Appearance Line **a**'s indicator flutters five times 50 milliseconds on, 50 milliseconds off instead of winking. After the 4601 "displays" the current SIG value, the Message Waiting indicator at the top of the telephone and the Message button LED on the faceplate flash 500 milliseconds on, 500 milliseconds off to indicate an entry is expected.

2. To change the SIG value, press *.

Depending on the current value, the next sequential valid SIG value is selected and displayed as the protocol. For example, if the current value is SIP (2), pressing * changes the value to 0 (default). If the current value is H.323 (1), pressing * changes the value to 2 (SIP).

If a value different from the current Group value is entered, all IP telephones except the 4601 display the following text left-justified at the top of the display:

```
Save new
value?
*=no    #=yes
```

The 4601 IP Telephone instead flashes both Message Waiting indicators 500 milliseconds on, 500 milliseconds off to indicate an entry is expected.

3. Press the * button to terminate the procedure, or the # button to save the new value. If you press the # button, all IP telephones except the 4601 display the following text:

```
New value
being saved
```

The new value is saved. All phones except the 4601 display the following text left-justified at the top of the display:

```
Restart phone?
*=no    #=yes
```

The 4601 IP Telephone instead flashes both Message Waiting indicators 500 milliseconds on, 500 milliseconds off to indicate an entry is expected.

4. Press the * (asterisk) key to terminate the procedure without restarting the telephone.

Press the # (pound) key to restart the telephone.

The remainder of this procedure depends on the status of the boot and application files.

See [Appendix A: Restart Scenarios](#).

Site-Specific Option Number Setting

CAUTION:

Do **not** perform this procedure if you are using static addressing. Perform this procedure **only** if you are using DHCP **and** the LAN administrator instructs you to do this.

Use the following procedure to set the Site-Specific Option Number (SSON).

1. While the telephone is on-hook and idle, press the following sequence of keys on the faceplate of the telephone:

Mute 7 7 6 6 # (Mute S S O N #)

Note:

Press the **Mute** button momentarily. Do not press this button while pressing other keys/buttons. The 4630/4630SW IP Telephones and the 4690 IP Conference Telephone do not have a dedicated **Hold** button. For all other 4600 Series IP Telephones, pressing the **Hold** button instead of the **Mute** button also works.

All IP telephones except the 4601 display the following text left-justified at the top of the display:

SSON= <i>ddd</i> New=_

where *ddd* is the value of SSON.

Because it does not have a display, the 4601 IP Telephone's Call Appearance Line indicators wink out the current SSON value. Call Appearance Line **a** represents the SSON's first digit. Call Appearance Line **b** represents the SSON's second digit, and Call Appearance Line **a** represents the SSON's third digit. For each digit, the applicable indicator winks the number of times represented by the current SSON value 600 milliseconds on, 200 milliseconds off. An 1800 millisecond pause occurs before changing indicators. If the current value is zero, the appropriate Call Appearance Line indicator flutters five times 50 milliseconds on, 50 milliseconds off instead of winking.

After the 4601 "displays" the current SSON, the Message Waiting indicator at the top of the telephone and the Message button LED on the faceplate flash 500 milliseconds on, 500 milliseconds off to indicate an entry is expected.

Local Administrative Options

2. Enter a valid value between 128 and 255 for the **SSON**.

The 4601 provides feedback as you enter each digit using both Call Appearance Line indicators. The indicators alternate winking the number of times represented by the digit you press 200 milliseconds on, 50 milliseconds off. For example, if the SSON's first digit is "2," pressing number **2** on the dial pad causes Call Appearance Line **a**'s indicator to wink two times. If the second digit you press is "4," after an 1800 millisecond pause, Call Appearance Line **b**'s indicator winks four times. Pressing "0" (zero) on the dial pad causes the appropriate indicator to flutter three five 50 milliseconds on, 50 milliseconds off.

Then the 4601 flashes both Message Waiting indicators 500 milliseconds on, 500 milliseconds off to indicate an entry is expected.

For all IP telephones except the 4601, if a value different from the current SSON value is entered, the following text displays left-justified at the top of the display:

```
Save new value?  
*=no    #=yes
```

3. Press the * button to terminate the procedure, or the # button to save the new value. If you press the # button, all IP telephones except the 4601 display the following text:

```
New value  
being saved
```

All phones save the new value, and restore the user interface to its previous state.

Setting L2Q Tagging Control (4601 Only)

Use the following procedure to set the layer 2 (802.1Q) framing parameter manually for the 4601 IP Telephone only.

1. While the telephone is on-hook and idle, press the following sequence of keys on the faceplate of the telephone:

Mute 8 2 4 # (Mute T A G #)

Note:

Press the **Mute** button momentarily. Do not press this button while pressing other keys/buttons. Pressing the **Hold** button instead of the **Mute** button also works.

Because it does not have a display, the 4601 IP Telephone's Call Appearance Line indicators wink out the current NVL2Q value. Valid values are:

- 1=ON (enabled)
- 2=OFF (disabled)
- 3-AUTO (the default)

The single-digit value is represented by Call Appearance Line **a**, which winks the number of times represented by the current L2Q value 600 milliseconds on, 200 milliseconds off. If the current value is zero (AUTO), Call Appearance Line **a**'s indicator flutters five times 80 milliseconds on, 50 milliseconds off instead of winking.

After "displaying" the current L2Q value, the Message Waiting indicator at the top of the telephone and the Message button LED on the faceplate flash 500 milliseconds on, 500 milliseconds off to indicate an entry is expected.

2. Enter a valid value (1, 2, or 0) for the **L2Q** (802.1Q) framing parameter.

The 4601 provides feedback for the digit as you enter it using Call Appearance Line **a**. For example, if the L2Q value is "2," pressing the number **2** on the dial pad causes Call Appearance Line **a**'s indicator to wink two times. Pressing "0" (zero) on the dial pad causes Call Appearance Line **a**'s indicator to flutter three times 50 milliseconds on, 50 milliseconds off.

Then both Message Waiting indicators flash 500 milliseconds on, 500 milliseconds off to indicate an entry is expected.

3. Press the * button to terminate the procedure, or the # button to save the new value. If you press the # button, the 4601 saves the new value, and resets the telephone to restore the user interface to its previous state.

Self-Test Procedure

For self-testing, use the following procedure:

1. To invoke 4600 Series IP Telephone self-test procedures, press the following sequence of keys on the faceplate of the telephone:

Mute 8 3 7 8 # (Mute T E S T #)

Note:

Press the **Mute** button momentarily. Do not press this button while pressing other keys/buttons. The 4630 and 4630SW IP Telephones do not have a dedicated **Hold** button. For all other 4600 Series IP Telephones, pressing the **Hold** button instead of the **Mute** button also works. The 4690 IP Conference Telephone does not support this feature.

For the 4606, 4612, and 4624 IP Telephones, the telephone illuminates each column of red and green LEDs associated with administrable buttons sequentially for 0.5 second, from left to right across the telephone. This cycle then repeats. The Speaker/Mute LED and the message waiting LED illuminate along with the closest column of LEDs. Buttons generate a button click if pressed, but do not generate any system-specific signaling messages, DTMF, or invoke Speaker or Mute operation.

Local Administrative Options

Telephones with displays show the following text, left-justified at the top of the display, for 1 second after self-test is invoked:

```
Self test
#=end
```

For 4602/4602SW/4606/4610SW/4612/4620/4620SW/4624/4625SW IP Telephones, a block character with all pixels on then displays in all display character locations for 5 seconds. Display of the block character helps to find bad display pixels. For 4630 and 4630SW IP Telephones, all pixels are on, and the display should be solid white for 5 seconds.

All IP telephones except the 4601 display one of the following:

If self-test passes:

```
Self test passed
#=end
```

When a 4601 IP Telephone's self-test passes, all LEDs flash 500 milliseconds on, 500 milliseconds off continuously.

If self-test fails:

```
Self test failed
#=end
```

When a 4601 IP Telephone's self-test fails, all LEDs flutter 50 milliseconds on, 50 milliseconds off continuously.

2. To terminate the self-test, press the # button on the dial pad at any time. Doing so generates a confirmation tone, and returns the user interface to its previous state.

Chapter 4: Troubleshooting Guidelines

Introduction

This chapter describes problems that might occur during installation of the 4600 Series IP Telephones and possible ways of resolving these problems. For problems that occur during normal operation, see “Troubleshooting Guidelines” in the *4600 Series IP Telephone LAN Administrator Guide*.

This chapter contains the following sections:

- Descriptions of error conditions and methods for resolving them.
- The use of the **V I E W** option to view system values.
- Error and status messages, and methods for resolving them.

Error Conditions

There are four areas where installers can troubleshoot problems before seeking assistance from the system or LAN administrator:

1. Check both the power and Ethernet wiring for the following conditions:
 - Whether all components are plugged in correctly.
 - Check LAN connectivity in both directions to all servers - DHCP, TFTP, HTTP, SIP Registration Server, DEFINITY[®]/MultiVantage[™].
 - If the telephone is supposed to be powered from the LAN, ensure that the LAN is properly administered and is compliant with IEEE 803.3af.
 - Ensure that the Ethernet complies with Category 5e wiring.

Troubleshooting Guidelines

2. If you are using static addressing:
 - Use the **View** command to find the names of the files being used and verify that these filenames match those on the TFTP or HTTP server. See [The View Administrative Option](#) on page 85 for more information. Check the Avaya Web site to verify whether the correct files are being used.
 - Use the **ADDR** option to verify IP Addresses. See [Static Addressing Installation](#) on page 54 for information.
 - Use the **QoS** option to verify QoS parameters.
See [Chapter 3: Local Administrative Options](#).
3. If the 4600 Series IP Telephone is not communicating with the system (DHCP, TFTP, HTTP or Avaya Media Server), make a note of the last message displayed. Consult the system administrator.
4. If you expect the telephone to be IEEE-powered, verify with the LAN administrator that IEEE power is indeed supported on the LAN.

Note:

Because the 4601 and 4601+ IP Telephones do not have a display, they are limited in their ability to provide visual feedback and error messages. See [Troubleshooting the 4601 IP Telephone](#) later in this chapter for more information.

DTMF Tones

H.323 telephones do not send DTMF tones to non-H.323 telephones. The failure to hear DTMF tones sent by a far-end 4600 Series IP Telephone does not require any action on the user's part. The TN2302AP board does not pass in-band DTMF tones.

Power Interruption

If power to a 4600 Series IP Telephone is interrupted while the telephone is saving the application file, the TFTP application can stop responding. If this occurs, restart the TFTP server.

The View Administrative Option

If you are using static addressing and encounter problems, use the following procedure to verify the current values of system parameters and file versions. Viewing the Protocol parameter is a way to determine whether the telephone has H.323 or SIP software installed.

Note:

Also use the **ADDR** option to view IP Addresses and verify whether you were provided with correct IP Addresses. See [Static Addressing Installation](#) in [Chapter 3: Local Administrative Options](#).

The 4601 and 4601+ IP Telephones do not support the **VIEW** option.

1. While the telephone is on-hook and idle, press the following sequence of keys on the faceplate of the telephone:

Mute 8 4 3 9 # (Mute VIEW #)

Note:

Press the **Mute** button momentarily. Do not press this key while pressing other keys. The 4630/4630SW IP Telephones and the 4690 IP Conference Telephone do not have a dedicated **Hold** button. For all other 4600 Series IP Telephones, pressing the **Hold** button instead of the **Mute** button also works.

The following text displays left-justified at the top of the display:

```
View settings
*=next   #=exit
```

2. Press the * button at any time during viewing to display the next name and system value pair from [Table 2](#). The first pair returns after the last pair displays.

Press the # button at any time during viewing to terminate the procedure and restore the user interface to its previous state. The names and values display in the following order:

Table 2: Viewing Parameter Values

Name	System Value	Format
Model	46ccDccc	Up to 8 ASCII characters: Model.
Phone SN	cccccccccccc cccccccc	Telephone Serial Number, up to 18 ASCII characters (which display on both lines).

1 of 3

Table 2: Viewing Parameter Values (continued)

Name	System Value	Format
PWB SN	cccccccccccc cccccccc	Printed Wiring Board (circuit board) Serial Number, up to 18 ASCII characters (which display on both lines). Applies to all telephones with a display except 4602, 4602SW, 4602SW+, and 4610SW.
PWB comcode	nnnnnnnnn	9 ASCII numeric characters: PWBCC. Applies to all telephones with a display, except 4602, 4602SW, and 4610SW.
PWB version	cccccccc	9 ASCII numeric characters. Applies only to the 4602, 4602SW, 4602SW+, and 4610SW.
MAC address	hh:hh:hh:hh:hh:hh	Each octet of the MAC address displays as a pair of hexadecimal numbers.
L2 tagging	cccccccc	Up to 9 ASCII characters: “on” if NVL2Q = 1 “off” if NVL2Q = 2 “auto: on” if NVL2Q = 0 and 802.1Q tagging is on, and “auto: off” if NVL2Q = 0 and 802.1Q tagging is off.
VLAN ID	cccc	Up to 4 ASCII characters: L2QVLAN if 802.1Q tagging is on and “none” if 802.1Q tagging is off.
IP Address	nnn.nnn.nnn.nnn	Up to 15 ASCII characters: IPADD.
Subnet mask	nnn.nnn.nnn.nnn	Up to 15 ASCII characters: NETMASK.
Router	nnn.nnn.nnn.nnn	Up to 15 ASCII characters: the IP Address of the router in use.
File server	nnn.nnn.nnn.nnn.nnnnn	Up to 21 ASCII characters: the IP Address and port of last file server used successfully during initialization (“0.0.0.0” if no HTTP or TFTP file server was used successfully).
Call server	nnn.nnn.nnn.nnn.nnnnn	Up to 21 ASCII characters: IP Address and port of call server currently in use, if any, otherwise “0.0.0.0”.
802.1X	pass-thru mode pass-thru with Logoff Supplicant mode	If system parameter DOT1X = 0 If system parameter DOT1X = 1 If system parameter DOT1X = 2
Group	nnn	Up to 3 ASCII numeric characters: GROUP.

Table 2: Viewing Parameter Values (continued)

Name	System Value	Format
Protocol	cccccccc	Up to 8 ASCII characters, depending on the system-specific signaling protocol (H.323, SIP, etc.) currently being used.
	filename.ext	Up to 16 ASCII characters: name of the application code file ("big app") currently stored in the telephone.
	ccccccc Ethernet	Ethernet connection. From 2 to 7 ASCII characters, either "100Mbps", "10 Mbps", or "No."
	filename.ext	Up to 16 ASCII characters. Name of the boot code file ("little app") currently stored in the telephone.
	cccccccccc	Up to 10 ASCII characters. DSP code version.
Build	cccccccccc	Up to 10 ASCII characters. DSP hardware version, displayed only if a DSP hardware version identifier is available.
	cccccccccc	Build identifier. Up to 1- ASCII characters.
DHCPSTD	n	DHCP standard flag. If "1" the telephone strictly follows the DHCP standard by giving up IP Addresses when the DHCP lease expires. If "0" the telephone uses the IP Address until it detects a reset or a conflict.
Audio Environment	nnn	Audio environment selection index (0 to 107); the AUDIOENV system value.
Handset sidetone	n	The AUDIOSTHS system value where 0=No change, 1=6dB below nominal, 2=no sidetone - infinite loss.
Headset sidetone	n	The AUDIOSTHD system value where 0=No change, 1=6dB below nominal, 2=no sidetone - infinite loss.

Error and Status Messages

Note:

This section describes error and status messages only for those IP telephones having a display. For error and status messages related to installing a 4601 IP Telephone, see [Troubleshooting the 4601 IP Telephone](#) on page 92.

The 4600 Series IP Telephones issue messages in English only. The IP telephones also display messages from the switch, which can issue messages in the local language outside the United States.

Most of the messages in [Table 3](#) display only for about 30 seconds, and then the telephone resets. The most common exception is `Extension in Use`, which requires manual intervention.

Table 3: Possible Error and Status Messages During Installation of 4600 Series IP Telephones

Message	Cause/Resolution
802.1X Failure	CAUSE: Incorrect credentials provided for authentication or not provided at all. RESOLUTION: Follow the display prompts and reenter the 802.1X ID and password.
Bad Router	CAUSE: The telephone cannot find a router based on the information in the DHCP file for GIPADD. RESOLUTION: Change administration on DHCP, as indicated in the <i>4600 Series IP Telephone LAN Administrator Guide</i> .
Checksum error	CAUSE: Downloaded application file was not downloaded or saved correctly. RESOLUTION: The telephone automatically resets and attempts to re-initialize.
DHCP: CONFLICT * to program	CAUSE: At least one of the IP Address offered by the DHCP server conflicts with another address. RESOLUTION: Review DHCP server administration to identify duplicate IP Address(es).
Discover <i>aaa.bbb.ccc.ddd</i>	CAUSE: The 46xx telephone is attempting to discover (and register with) the gatekeeper at IP Address <i>aaa.bbb.ccc.ddd</i> . RESOLUTION: If this message appears for more than a few seconds, especially if the IP Address keeps changing, the telephone is unable to contact the gatekeeper. Have the LAN Administrator verify network connectivity between the telephone and the gatekeeper. Alternately, revise the gatekeeper addresses in the DHCP/TFTP files in accordance with the <i>4600 Series IP Telephone LAN Administrator Guide</i> to point to different gatekeepers.

Table 3: Possible Error and Status Messages During Installation of 4600 Series IP Telephones (continued)

Message	Cause/Resolution
Discovering...	CAUSE: The 46xx telephone is attempting to find a DHCP server. RESOLUTION: If this message appears for more than a few seconds, verify with the LAN Administrator that a DHCP server is appropriately administered on the network. If there is not supposed to be a DHCP server, you must “break into” the Discovering process and use static addressing. See Static Addressing Installation on page 54. To break into the Discovering process, press the # button, and when you see the “100Mbs” or “10Mbs” message, quickly press the * (asterisk) button.
Extension Error	CAUSE: The PBX does not recognize the extension entered. RESOLUTION: Confirm the extension is correct and is correctly administered on the switch. Then try registration again, taking particular care to enter the extension accurately.
Extension in Use	CAUSE: The PBX detects an extension conflict with an existing set or Softphone. RESOLUTION: You will be told if the telephone using the same extension is on a call or not. Regardless, you can proceed to take over the extension or to login using a different extension. Telephones with large displays, such as the 4610SW or 4625SW, and Release 2.7 software provide detailed messages and specially labeled softkeys to guide you through either alternative. If the telephone has a two-line display, or does not support Release 2.7, you can either press the # key twice to take over the extension and log the other telephone off or you can press #, then * to enter a different extension.
Extension/ Password Error (SIP only)	CAUSE: The extension and password do not match what is administered on the Registration Server. RESOLUTION: Enter another extension and/or password.
Failed to set phone IP address	CAUSE: The 4600 Series Telephone was originally installed on one switch with static addressing, and has subsequently been installed on another switch with an active DHCP server assigning dynamic IP Addresses. RESOLUTION: Reset the telephone.
File too large Cannot save file	CAUSE: The telephone does not have sufficient room to store the downloaded file. RESOLUTION: Verify the proper filename is administered in the TFTP script file, and that the proper application file is located in the appropriate location on the TFTP server.
Gateway Error	CAUSE: DEFINITY Release 8.4 does not have an H.323 station extension for this telephone. RESOLUTION: On the station administration screen, ensure the DCP set being aliased for this IP telephone has an H.323 station extension administered, in accordance with switch administration instructions.

Table 3: Possible Error and Status Messages During Installation of 4600 Series IP Telephones (continued)

Message	Cause/Resolution
Hardware failure	CAUSE: Hardware failure prevented downloading of application file. RESOLUTION: Replace telephone.
Incompatible	CAUSE: This release of DEFINITY does not support the current version of the IP telephone. RESOLUTION: Upgrade to the current version of Avaya Communication Manager software.
IP address in use by another	CAUSE: The telephone has detected an IP Address conflict. RESOLUTION: Verify administration to identify duplicate IP Address(es).
IP Address Error	CAUSE: Unnamed registration attempted but unnamed registration (UNR) is not enabled on Avaya Communication Manager for IP Telephones. RESOLUTION: Change CM settings to enable.
NAPT Error	CAUSE: A device between the telephone and the call server is invoking Network Address Port Translation, which the 4600 Series IP Telephones do not support. RESOLUTION: Contact the System Administrator to remove or re-administer the device.
No Call Server Address - Resetting	CAUSE: The system parameter MCIPADD does not contain at least one non-zero IP Address or DNS Name, causing the telephone to reset. RESOLUTION: Add the IP Address(es) using static addressing (manual telephone setting), updating the settings file, or normally through DHCP administration.
No Ethernet	CAUSE: When first plugged in, the IP telephone is unable to communicate with the Ethernet. RESOLUTION: Verify the connection to the Ethernet jack, verify the jack is Category 5, verify power is applied on the LAN to that jack, etc. Note that if the telephone is attached to a 30A switched hub, upon loss of Ethernet connectivity the usual No Ethernet message is not displayed.
No file server address	CAUSE: The TFTP server IP Address in the IP telephone's memory is all zeroes. RESOLUTION: Depending on the specific requirements of your network, this may not be an error. If appropriate, either administer the DHCP server with the proper address of the TFTP server, or administer the telephone locally using the ADDR option. The ADDR option is explained in Chapter 3: Local Administrative Options .

Table 3: Possible Error and Status Messages During Installation of 4600 Series IP Telephones (continued)

Message	Cause/Resolution
No proxy found (SIP only)	CAUSE: There is a problem with the SIP registration server and proxy server list. RESOLUTION: Review the server administration to ensure that the correct addresses are specified. Verify the proper operation of the registration server(s) and the intervening network.
No Socket	CAUSE: The telephone has registered with the call server, but network problems have prevented the telephone from opening a TCP socket. Note: This message only occurs on older software versions; telephones with newer software automatically reset. RESOLUTION: Press the # button to have the telephone reset, and contact the System Administrator to report the network problem.
Password Error	CAUSE: The PBX does not recognize the password entered. RESOLUTION: Confirm the password is correct, then try registration again, taking particular care to enter the password accurately.
Registering... (SIP only)	CAUSE: It is normal for this message to appear for a short time period. RESOLUTION: If this message appears for an extended period of time, the telephone is unable to register. Verify the proper operation of the registration server(s) and the intervening network.
Registration Failed (SIP only)	CAUSE: The registration process failed. RESOLUTION: Verify the proper administration and operation of the registration server(s) and the intervening network.
System busy	CAUSE: Most likely, the number of IP endpoints on the PBX is already at maximum, Less likely, network resource is unavailable. RESOLUTION: The telephone was attempting to access a network resource (DHCP server, TFTP server, HTTP server, or the PBX) and was not successful. Check the resource being called upon for its availability. If the resource appears operational and properly linked to the network, verify that addressing is accurate and that a communication path exists in both directions between the telephone and the resource.
System Error	CAUSE: The PBX has an unspecified problem. RESOLUTION: Consult your Avaya Media Server administration and troubleshooting documentation.
Timeout Error	CAUSE: Protocol timeout error. RESOLUTION: Reenter the correct extension and password. If the condition persists, contact the System Administrator.
Unauthorized (SIP only)	CAUSE: The registration server does not recognize the extension and password. RESOLUTION: Reenter the extension and password. If the condition persists, contact the System Administrator for assistance.

4 of 5

Table 3: Possible Error and Status Messages During Installation of 4600 Series IP Telephones (continued)

Message	Cause/Resolution
Undefined Error	CAUSE: The PBX has rejected registration for an unspecified reason. RESOLUTION: Consult your Avaya Media Server administration and troubleshooting documentation.
Resource Error	CAUSE: The PBX rejects the registration request. RESOLUTION: Verify administration to ensure the telephone's proper IP Address, extension, and password are being used.
Wrong Set Type	CAUSE: The PBX does not recognize the set type. RESOLUTION: Ensure the PBX is properly administered to expect the appropriate telephone for the IP Address and extension.

5 of 5

Troubleshooting the 4601 IP Telephone

Because the 4601 IP Telephone lacks a display, it uses its LEDs to indicate status and error situations. In [Table 4](#), the Messages shown in the first column correspond to the equivalent conditions described in [Table 3](#). Rather than displaying messages, the 4601 turns its LEDs on and off to indicate status or an error condition. LED indication is described in the second column of this table. In addition, not all conditions result in unique LED indications.

Table 4: Possible Error and Status Messages During Installation of the 4601 IP Telephone

Message	Visual Indication/Cause/Resolution
Extension Error	VISUAL INDICATION: Message Waiting indicators at top of telephone and the left middle of the faceplate display a broken flutter for a total of 5 cycles (with one cycle being alternating 50 milliseconds on, 50 milliseconds off for 500 milliseconds followed by 500 milliseconds off). CAUSE: The PBX does not recognize the extension entered or cannot find a valid gatekeeper. RESOLUTION: Confirm the extension is correct and is correctly administered on the switch. Then try registration again, taking particular care to enter the extension accurately.

1 of 3

Table 4: Possible Error and Status Messages During Installation of the 4601 IP Telephone (continued)

Message	Visual Indication/Cause/Resolution
Extension in Use	<p>VISUAL INDICATION: If the extension is currently being used and a first registration attempt is made, the Message Waiting indicators at the top of telephone and left middle of the faceplate display a broken flutter (alternating 50 milliseconds on, 50 milliseconds off for 500 milliseconds followed by 500 milliseconds off) five times, then flash continuously, awaiting user entry. Making a second registration attempt using the <i>same</i> extension causes the Message Waiting indicators to display a continuous broken flutter, alternating 50 milliseconds on, 50 milliseconds off for 500 milliseconds followed by 500 milliseconds off. In addition, Call Appearance Line b's LED flashes continuously until either the "*" or "#" button is pressed.</p> <p>CAUSE: The PBX detects an extension conflict with an existing set or Softphone.</p> <p>RESOLUTION: You can force the current telephone to register, and thereby disconnect the other user, by pressing #. The 4600 Series IP Telephone prompts you again for the extension and password. If you enter the same extension and password, you must confirm that you want to unregister the original user. Press # to unregister the original user and register the current telephone. Then press * to reset the telephone and enter a different extension and password. If no action is taken within 20 minutes, the telephone attempts re-registration and repeats the process until you intervene or power is lost.</p>
IP address in use by another	<p>VISUAL INDICATION: All LEDs are steadily lit, except Call Appearance Line a, which is flashing.</p> <p>CAUSE: The telephone has detected an IP Address conflict.</p> <p>RESOLUTION: DHCP restart is automatically initiated. No user action required.</p>
No Ethernet	<p>VISUAL INDICATION: No LEDs flash when telephone is plugged in.</p> <p>CAUSE: Telephone is not receiving power or when first plugged in, the IP telephone is unable to communicate with the Ethernet.</p> <p>RESOLUTION: Verify the connection to the Ethernet jack, verify the jack is Category 5, verify power is applied on the LAN to that jack, etc.</p>
Password Error	<p>VISUAL INDICATION: Message Waiting indicators at top of telephone and left middle of faceplate display a broken flutter for a total of 5 cycles (with one cycle being alternating 50 milliseconds on, 50 milliseconds off for 500 milliseconds followed by 500 milliseconds off), then flash continuously, awaiting user entry.</p> <p>CAUSE: The PBX does not recognize the password entered.</p> <p>RESOLUTION: Confirm the password is correct, then try registration again, taking particular care to enter the password accurately.</p>

Table 4: Possible Error and Status Messages During Installation of the 4601 IP Telephone (continued)

Message	Visual Indication/Cause/Resolution
System busy	<p>VISUAL INDICATION: Message Waiting indicators at top of telephone and left middle of faceplate display a broken flutter continuously (alternating 50 milliseconds on, 50 milliseconds off for 500 milliseconds followed by 500 milliseconds off) until either the "*" or "#" button is pressed.</p> <p>CAUSE: Most likely, the number of IP endpoints on the PBX is already at maximum, Less likely, network resource is unavailable.</p> <p>RESOLUTION: The telephone was attempting to access the PBX and was not successful. Check the resource being called upon for its availability. If the resource appears operational and properly linked to the network, verify that addressing is accurate and a that communication path exists in both directions between the telephone and the resource. Press * and use the same values to retry the process. Or, press # to restart, then re-enter the extension and password.</p>
System Error	<p>VISUAL INDICATION: Message Waiting indicators at top of telephone and left middle of faceplate display a broken flutter continuously (alternating 50 milliseconds on, 50 milliseconds off for 500 milliseconds followed by 500 milliseconds off) until either the "*" or "#" button is pressed.</p> <p>CAUSE: The PBX has an unspecified problem.</p> <p>RESOLUTION: Press * and use the same values to retry the process. Or, press # to restart, then re-enter the extension and password. Consult your Avaya Media Server administration and troubleshooting documentation.</p>
Undefined Error	<p>VISUAL INDICATION: Message Waiting indicators at top of telephone and left middle of faceplate display a broken flutter continuously (alternating 50 milliseconds on, 50 milliseconds off for 500 milliseconds followed by 500 milliseconds off) until either the "*" or "#" button is pressed.</p> <p>CAUSE: The PBX has rejected registration for an unspecified reason.</p> <p>RESOLUTION: Press * and use the same values to retry the process. Or, press # to restart, then re-enter the extension and password. Consult your Avaya Media Server administration and troubleshooting documentation.</p>
Wrong Set Type	<p>VISUAL INDICATION: Message Waiting indicators at top of telephone and left middle of faceplate display a broken flutter continuously (alternating 50 milliseconds on, 50 milliseconds off for 500 milliseconds followed by 500 milliseconds off) until either the "*" or "#" button is pressed.</p> <p>CAUSE: The PBX does not recognize the set type.</p> <p>RESOLUTION: Ensure the PBX is properly administered to expect the appropriate telephone for the IP Address and extension. Press * and use the same values to retry the process. Or, press # to restart, then re-enter the extension and password.</p>

Appendix A: Restart Scenarios

Scenarios for the Restart Process

The sequence of the restart process depends on the status of the boot and application files. This appendix explains the different scenarios possible.

Note:

The display messages shown in this appendix do not apply to the 4601 IP Telephone.

Restart the Telephone

Use the following procedure to restart the telephone.

1. While the telephone is on-hook and idle, press the following sequence of keys on the faceplate of the telephone:

Mute 7 3 7 3 8 # (Mute R E S E T #)

Note:

Press the **Mute** button momentarily. Do not press this key while pressing other keys. The 4630/4630SW IP Telephones and the 4690 IP Conference Telephone do not have a dedicated **Hold** button. For all other 4600 Series IP Telephones, pressing the **Hold** button instead of the **Mute** button also works.

The following text displays left-justified at the top of the display:

```
Reset values?  
*=no    #=yes
```

2. Press the **#** button to continue the procedure.

The following text displays left-justified at the top of the display while the system values are reset to defaults:

```
Resetting  
values.
```

Once the system values are reset, the following prompt displays:

```
Restart phone?  
*=no    #=yes
```

Restart Scenarios

3. Press the * key to terminate the procedure without restarting the telephone.

Press the # key to restart the telephone.

The remainder of the procedure depends on the status of the boot and application files:

If this condition applies:	See:
Boot File Needs to be Upgraded	Boot File Needs to be Upgraded on page 96.
Latest Boot File Loaded/No Application File or Application File Needs to be Upgraded	Latest Boot File Loaded/No Application File or Application File Needs to be Upgraded on page 99.
Latest Boot File and System-Specific Application File Already Loaded	Latest Boot File and System-Specific Application File Already Loaded on page 101.

Boot File Needs to be Upgraded

Use the following procedure to upgrade the Boot file:

Note:

A boot file rarely needs to be upgraded. Perform this procedure only at Avaya's request.

1. The following message displays:

```
Restarting...
```

2. While the hardware is being initialized, the following message displays:

```
Initializing
```

3. While either the application file if there is one or the boot code is uncompressed into RAM, the following message displays:

```
Loading: 5 secs  
replboot_v3.app      4084KB
```

This message counts the seconds as the application file (replboot_v3.app in this example) is being written into RAM.

4. When control is passed to the software that was just loaded, the following messages display:

```
Starting...
```

```
Updating boot code...
DO NOT UNPLUG THE
PHONE!
```

This message continues while the new boot code is being written into RAM.

Note:

Unplugging the telephone while the flash memory is being erased and the boot code rewritten can cause file corruption.

5. The telephone detects and displays the speed of the Ethernet interface in Mbps, that is, 0, 10, or 100. The message `No Ethernet` displays until the software determines whether the interface is 10 Mbps or 100 Mbps.

Note:

The Ethernet speed indicated is the LAN interface speed for both the telephone and any attached PC.

6. The software determines whether sufficient IP Address information was downloaded. In this scenario, it is discovered that sufficient information has **not** been downloaded. The following message displays while the DHCP process is invoked:

```
DHCP: 0 secs
* to program
```

The number of elapsed seconds is incremented once per second, until DHCP successfully completes.

7. The following message displays while the TFTP or HTTP process is invoked:

```
TFTP: n
www.xxx.yyy.zzz
```

```
HTTP: n uri
```

The number increments once per second, until the TFTP or HTTP server responds.

8. The following message displays while the upgrade script downloads from the TFTP or HTTP server:

```
46XXUPGRADE.SCR
n KB received
```

where *n* is the number of KBs that have been downloaded.

Restart Scenarios

9. The script file is processed. The software determines that the telephone's boot code file name (BOOTNAME) is not the latest version. APPNAME is set to the name of an application file to replace the boot code. The following message displays while the application file is downloaded into RAM:

```
app_filename  
n KB received
```

where *n* is the number of KBs downloaded.

10. The following message displays while the application file is stored in flash memory:

```
Saving to flash  
n%, x secs
```

where *n* is the percentage of the file stored, and *x* is the number of elapsed seconds. This usually takes longer than the file download.

11. The following message displays while the telephone is reset so the application file can be executed:

```
Restarting...
```

12. While the hardware is being initialized, the following message displays:

```
Initializing
```

13. While either the new application file is uncompressed into RAM, the following message displays:

```
Loading: 5 secs  
4620_031225.app 4035 KB
```

This message counts the seconds as the application file (4620_031225.app in this example) is being written into RAM.

14. When control is passed to the software that was just loaded, the following message displays:

```
Starting...
```

15. While the entire flash memory is erased in preparation for rewriting the code, the following message displays:

```
Clearing...  
n%, x secs
```

where *n* is the percentage of memory erased and *x* is the number of elapsed seconds during erasing.

16. While the boot code is rewritten, the following message displays:

```
Updating...  
n%, x secs
```

where *n* is the percentage of boot code rewritten and *x* is the number of elapsed seconds during rewriting.

17. When the new boot code is successfully written into the flash memory, the application corrupts its own checksum stored in flash. The application then resets the telephone so the latest system-specific application file can be downloaded.
18. Continue with the next procedure.

Latest Boot File Loaded/No Application File or Application File Needs to be Upgraded

Use the following procedure:

Note:

This procedure occurs with normal application file upgrades.

1. The following message displays:

```
Restarting...
```

2. While the hardware is being initialized, the following message displays:

```
Initializing
```

Restart Scenarios

3. While either the application file if there is one or the boot code is uncompressed into RAM, the following message displays:

```
Loading: 5 secs  
4620_031225.app 4035 KB
```

This message counts the seconds as the application file (4620_031225.app in this example) is being written into RAM.

4. When control is passed to the code in RAM, the following message displays:

```
Starting...
```

5. The telephone detects and displays the speed of the Ethernet interface in Mbps, that is, 0, 10, or 100. The message `No Ethernet` displays until the software determines whether the interface is 10 Mbps or 100 Mbps.

Note:

The Ethernet speed indicated is the LAN interface speed for both the telephone and any attached PC.

6. The software determines whether sufficient IP Address information was downloaded. In this scenario, it is discovered that sufficient information has **not** been downloaded. The following message displays while the DHCP process is invoked:

```
DHCP: 0 secs  
* to program
```

The number of elapsed seconds is incremented once per second, until DHCP successfully completes.

7. The following message displays while the TFTP or HTTP process is invoked:

```
TFTP: n  
www.xxx.yyy.zzz
```

```
HTTP: n uri
```

The number increments once per second, until the TFTP or HTTP server responds.

8. The following message displays while the upgrade script is downloaded from the TFTP server:

```
46XXUPGRADE.SCR  
n KB received
```

where *n* is the number of KBs downloaded.

9. The script file is processed. The software determines that the name of the boot code file in the telephone (BOOTNAME) is not the latest version. APPNAME is set to the name of an application file to replace the boot code. The following message displays while the application file is downloaded into RAM:

```
app_filename
n KB received
```

where *n* is the number of KBs downloaded.

10. The following message displays while the application file is stored in flash memory:

```
Saving to flash
n%, x secs
```

where *n* is the percentage of the file that was stored, and *x* is the number of elapsed seconds. This usually takes longer than the file's download.

11. The telephone is reset so the new system-specific application file can be executed. Continue with the next procedure.

Latest Boot File and System-Specific Application File Already Loaded

Use the following procedure:

Note:

This happens with normal resets.

1. The following message displays:

```
Restarting...
```

2. While the hardware is being initialized, the following message displays:

```
Initializing
```

3. While either the application file is uncompressed into RAM, the following message displays:

```
Loading: 5 secs
4620_031225.app 4035 KB
```

This message counts the seconds as the application file (4620_031225.app in this example) is being written into RAM.

Restart Scenarios

4. When control is passed to the code in RAM, the following message displays:

```
Starting...
```

5. The telephone detects and displays the speed of the Ethernet interface in Mbps, that is, 0, 10, or 100. The message `No Ethernet` displays until the software determines whether the interface is 10 Mbps or 100 Mbps.

Note:

The Ethernet speed indicated is the LAN interface speed for both the telephone and any attached PC.

6. The software determines whether sufficient IP Address information was downloaded. In this scenario, it is discovered that sufficient information has **not** been downloaded. The following message displays while the DHCP process is invoked:

```
DHCP: 0 secs  
* to program
```

The number of elapsed seconds is incremented once per second, until DHCP successfully completes.

7. The following message displays while the TFTP or HTTP process is invoked:

```
TFTP: n  
www.xxx.yyy.zzz
```

```
HTTP: n uri
```

The number increments once per second, until the TFTP or HTTP server responds.

8. The following message displays while the upgrade script is downloaded from the TFTP server:

```
46XXUPGRADE.SCR  
n KB received
```

where *n* is the number of KBs downloaded.

9. The script file is processed. The software determines that the name of the boot code file in the telephone (BOOTNAME) is the latest version, and the name of the application file in the telephone is the same as APPNAME.
10. System-specific registration with the Avaya media server is invoked.
11. Upon completion of registration, dial-tone is available on the telephone.

Index

Numerical

4600 Series IP Telephone	
Assembling the	22
Installation	17
Models	18
Optional Items for	21
Powering the	22
Requirements	21
Restart	76
4601 IP Telephone	
Entering Data for	50
Troubleshooting	92
4601/4601+/4602/4602SW/4602SW+ IP Telephone, Connection Jacks	26 , 27
4602+/4610SW/4620SW/4621SW IP Telephones, Converting to/from SIP	43
4606/4612/4624 IP Telephone, Connection Jacks	24
4610/4620/4620SW/4621SW/4622SW/4625SW/ 4630SW IP Telephone	
Connection Jacks	28 , 29
4610SW IP Telephone, Connection Jacks	33 , 34
4630 IP Telephone	
Connection Jacks	30
4630SW IP Telephone, Connection Jacks	31 , 32
4690 IP Conference Telephone	
Connection Jacks	35
802.1X Operational Mode, Setting the	53
802.1X Supplicant Authentication	37
802.1X Supplicant Operation	45

A

About This Guide	7
ACG Option	58
ADDR Option	54
Adjusting the Contrast Control	64
Administrative Options	
Entering Data for	48
Local	47
AGC	58
ALERT	59
Alerting Procedure	59
Assembling the 4600 Series IP Telephone.	22
Audible Alerting	59
Automatic Gain Control, Disable/Enable	58

B

Backlight Procedure	73
Boot File, upgrading the.	96

C

Clear Procedure	62
Client Hardware Address	61 , 64
Computer-Telephony Integration (CTI) Enable/Disable	65
Connection Jacks	
for 4601/4601+/4602/4602SW/4602SW+ IP Telephones	26 , 27
for 4606/4612/4624 IP Telephones	24
for 4610/4620/4620SW/4621SW/4622SW/ 4625SW/4630SW IP Telephones	28 , 29
for 4610SW IP Telephones	33 , 34
for 4630 IP Telephones	30
for 4630SW IP Telephones	31 , 32
for 4690 IP Conference Telephones	35
Contrast Control Procedure	64
Conventions Used in This Guide.	12
Conversion Chart, H.323 to SIP and SIP to H.323	43
Converting 4610SW/4620SW/4621SW telephones to/from SIP	43
Converting Software on Avaya 4600 Series IP Telephones.	42
CTI. See Computer-Telephony Integration	
Customer Support	16

D

DHCP Client Hardware Address	61
DHCP Processing	38
Disable Automatic Gain Control (AGC).	58
Disable Event Logging	71
Document Change History	9
Document Organization	8
Downgrading Avaya IP Telephones	41
DTMF Tones	84
Dynamic Addressing Process	36

E

Enable Automatic Gain Control (AGC)	58
Enable Event Logging	71
Enable/Disable Computer-Telephony Integration (CTI)	65

Index

Enabling/Disabling the FKEU (XMOD) Interface . . .	66
Error and Status Messages	88
Error Conditions	83
Ethernet Activation	37
Event Logging	71
Expansion Module Interface, Enabling/Disabling . . .	66

G

Group Identifier	67
----------------------------	--------------------

H

H.323 to SIP and SIP to H.323 Conversion Chart . . .	43
H.323-Centric description.	42
HTTP/TFTP Processing	39

I

Installation.	17
Intended Audience, for this document	8
Interface Control	68
IP Telephone Models.	18

L

L2Q Tagging Control, setting	80
Local Administrative Options	47
Local Administrative Procedures, About	51
LOG Procedure	71

M

Media Server Registration	40
-------------------------------------	--------------------

O

Online Documentation	13
Optional Items for Some IP Telephones	21

P

Parameter Values, Viewing	85
Power Interruption	84
Powering the 4600 IP Telephone	22
Pre-Installation Checklist	19
Pre-Installation Checklist for Static Addressing. . . .	54

Q

QoS Option Setting	73
------------------------------	--------------------

R

Registration, Unnamed	45
Registration, with media server	40
Related Documents.	13
Requirements, for each IP Telephone	21
Reset	
Boot File and System-Specific Application File	
Already Loaded	101
Boot File Loaded/No Application File or	
Application File Needs to be Upgraded	99
Boot File Needs to be Upgraded	96
Reset System Values	75
Restart Process, Scenarios for the.	95
Restart Scenarios	95
Restart the Telephone	95

S

Scenarios for the Restart Process	95
Self-Test Procedure	81
Signaling Protocol Identifier	77
SIP-Centric description	42
Site-Specific Option Number Setting	79
Software	18
Static Addressing	
Installation	54
Pre-Installation Checklist.	54
System Values, Reset	75

T

Tagging Control, L2Q	80
Technical Support	16
Terms Used in This Guide	11
Test Procedure.	81
TFTP/HTTP Processing.	39
Troubleshooting	
DTMF Tones	84
Error and Status Messages	88
Error Conditions.	83
for 4601 IP Telephone	92
Guidelines for	83
Power Interruption.	84
View Administrative Option.	85
Turning Off the Backlight	73

U

Unnamed Registration	45
Upgrade	
Application File	99
Boot File	96

V

View Administrative Option [85](#)
Visual Alerting [59](#)

W

What's New [10](#)

Index

Free Manuals Download Website

<http://myh66.com>

<http://usermanuals.us>

<http://www.somanuals.com>

<http://www.4manuals.cc>

<http://www.manual-lib.com>

<http://www.404manual.com>

<http://www.luxmanual.com>

<http://aubethermostatmanual.com>

Golf course search by state

<http://golfingnear.com>

Email search by domain

<http://emailbydomain.com>

Auto manuals search

<http://auto.somanuals.com>

TV manuals search

<http://tv.somanuals.com>