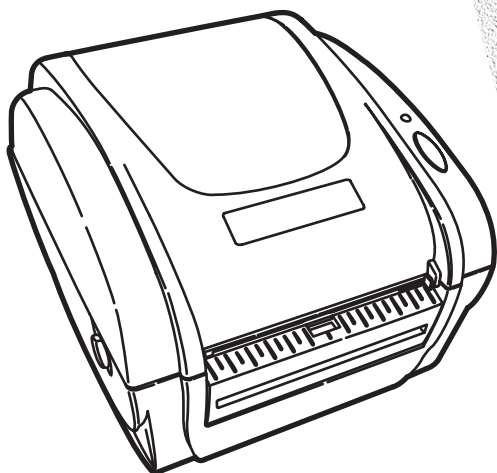


Equipment Manual



Monarch®
9416®
FreshMarx™
System



Each product and program carries a respective written warranty, the only warranty on which the customer can rely. Paxar reserves the right to make changes in the product, the programs, and their availability at any time and without notice. Although Paxar has made every effort to provide complete and accurate information in this manual, Paxar shall not be liable for any omissions or inaccuracies. Any update will be incorporated in a later edition of this manual.

©2006 Paxar Americas, Inc. a subsidiary of Avery Dennison Corp. All rights reserved. No part of this publication may be reproduced, transmitted, stored in a retrieval system, or translated into any language in any form by any means, without the prior written permission of Paxar Americas, Inc.

WARNING

This equipment has been tested and found to comply with the limits for a Class A digital device, pursuant to Part 15 of the FCC Rules. These limits are designed to provide reasonable protection against harmful interference when the equipment is operated in a commercial environment. This equipment generates, uses, and can radiate radio frequency energy and, if not installed and used in accordance with the instruction manual, may cause harmful interference to radio communications. Operation of this equipment in a residential area is likely to cause harmful interference in which case the user will be required to correct the interference at his own expense.

CANADIAN D.O.C. WARNING

This digital apparatus does not exceed the Class A limits for radio noise emissions from digital apparatus set out in the Radio Interference Regulations of the Canadian Department of Communications.

Le présent appareil numérique n'émet pas de bruits radioélectriques dépassant les limites applicables aux appareils numériques de la classe A prescrites dans le Règlement sur le brouillage radioélectrique édicté par le ministère des Communications du Canada.

Trademarks

MONARCH® and 9416® are trademarks of Paxar Americas, Inc.

FreshMarx™ is a trademark of Paxar Americas, Inc.

Paxar® is a trademark of Paxar Corporation.

Avery Dennison® is a trademark of Avery Dennison Corporation.

Microsoft, Windows, NT, and Office are trademarks of Microsoft Corporation in the United States and/or other countries.

Avery Dennison Printer Systems Division
170 Monarch Lane
Miamisburg, Ohio 45342



TABLE OF CONTENTS

Getting Started	1-1
Unpacking the FreshMarx System	1-1
Connecting the Printer's Power Supply	1-2
Reading the Indicator Light	1-4
Loading Labels	1-5
Calibrating the Supply	1-10
Checking the Die Cut Sensor	1-10
Using The Keypad	2-1
Connecting the Keypad's Power Supply	2-1
Connecting the Communication Cable	2-3
About the Keypad	2-4
Setting up the FreshMarx System	2-5
Setting the Date and Time	2-5
Processing the Product	2-7
Printing a Use First Label	2-8
Using the Stop Printing Function	2-8
Future Upgrades.....	2-8
Using the Update Utility	3-1
Before You Begin.....	3-2
Editing the Overlay	3-3
Changing a Key's Color.....	3-6
Defining Custom Colors.....	3-8
Deleting a Key	3-9
Printing the Overlay	3-11
Updating the Keypad.....	3-12
Communication Settings.....	3-13

Care and Maintenance4-1
 Clearing Label Jams4-1
 Cleaning the Printhead4-2
 Cleaning the Platen Roller and Printer.....4-2
Troubleshooting.....5-1
Template Sample..... A-1

GETTING STARTED

1

Use this system for product freshness. The system consists of a Monarch® 9416® printer and a keypad with the FreshMarx™ application.

This chapter includes information about

- ◆ unpacking the FreshMarx system
- ◆ connecting the printer's power supply
- ◆ reading the printer's indicator light
- ◆ loading labels
- ◆ calibrating the supply
- ◆ checking the die cut sensor

To use the keypad, see Chapter 2, "Using the Keypad," for more information.

Unpacking the FreshMarx System

After you unpack the system, you should have the following:

- ◆ 9416 Printer and power supply
- ◆ power strip
- ◆ communications cable
- ◆ keypad and AC adapter
- ◆ software kit

For missing items, service, technical assistance or ordering labels, please call Monarch at the number on the back of this manual.

Keep all packaging material in case you need to move or return the system.

Connecting the Printer's Power Supply

To connect the power supply to the printer:

Caution

Do not touch the electrical connectors while setting up the printer. Electrostatic discharge can damage or destroy the printhead or electronic components.

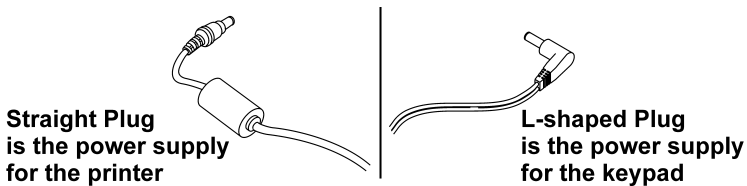
1. Place the printer on a table in a location that allows easy access to the front of the printer.

Note: Never operate the printer resting on its side or upside down.

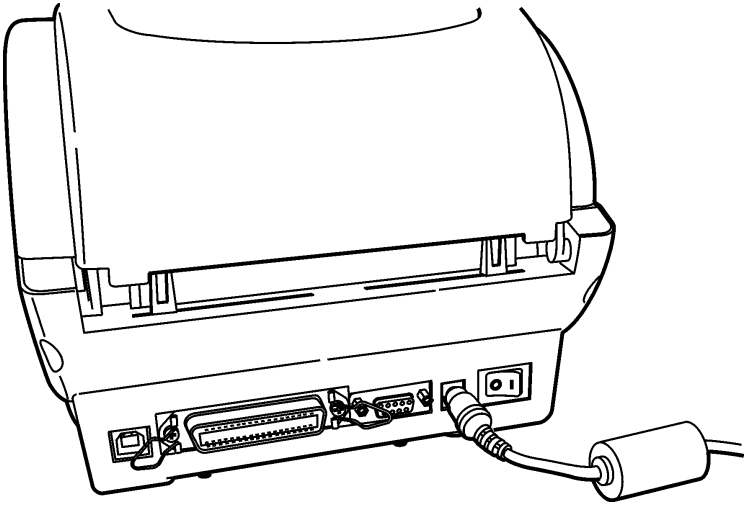
2. Turn off the printer. Press the power switch on the back of the printer to the off (O) position.
3. Place the power supply in a suitable location, preferably on a table, near an electrical outlet.
4. Plug the three-hole end of the AC adapter cable into the three-pronged outlet in the printer's power supply.

Caution

The printer's power supply uses a different voltage than the keypad. To connect the wrong power supply could permanently damage the keypad or the printer.



5. Plug the round end of the power supply cable into the socket at the back of the printer.



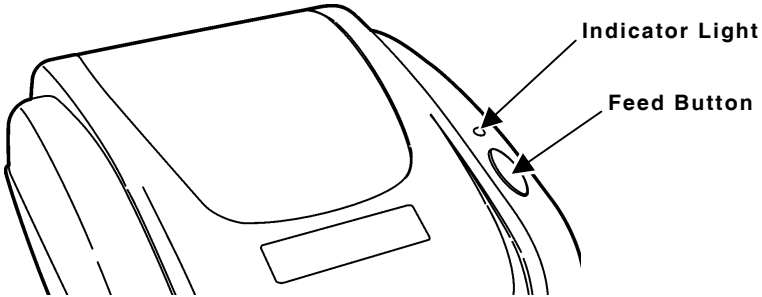
6. Plug the three-pronged end of the AC adapter cord into a grounded electrical outlet.

WARNING

The printer and power supply should never be operated in a location where either one can get wet. Personal injury could result.

Reading the Indicator Light

The indicator light monitors the printer's status.

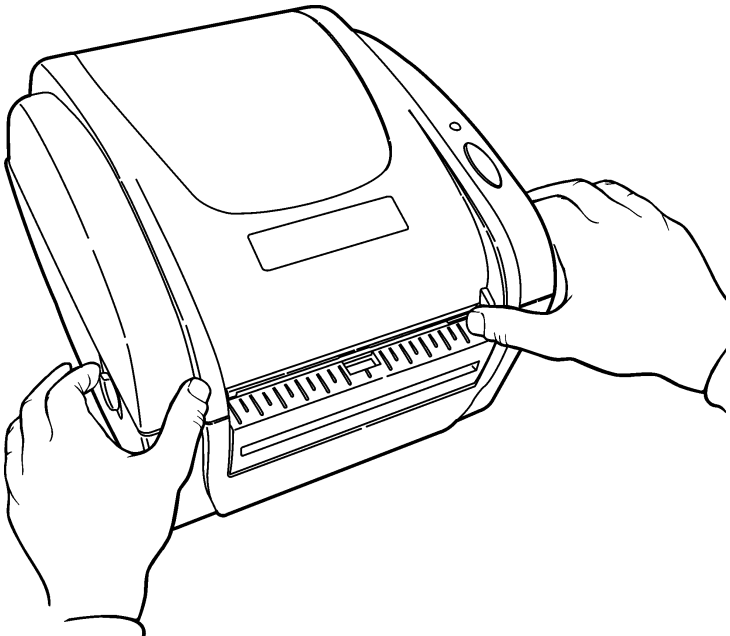


Indicator Light	Description
GREEN	Printer is on and ready to use.
FLASHING GREEN	Printer is paused. Press the FEED button to resume printing.
FLASHING RED	Printer error condition. See Chapter 5, "Troubleshooting" for error conditions and solutions.
ORANGE	The printer is detecting the labels.
No light	Printer is off. Make sure the power supply is connected properly. See "Connecting the Power Supply" earlier in this chapter.

Loading Labels

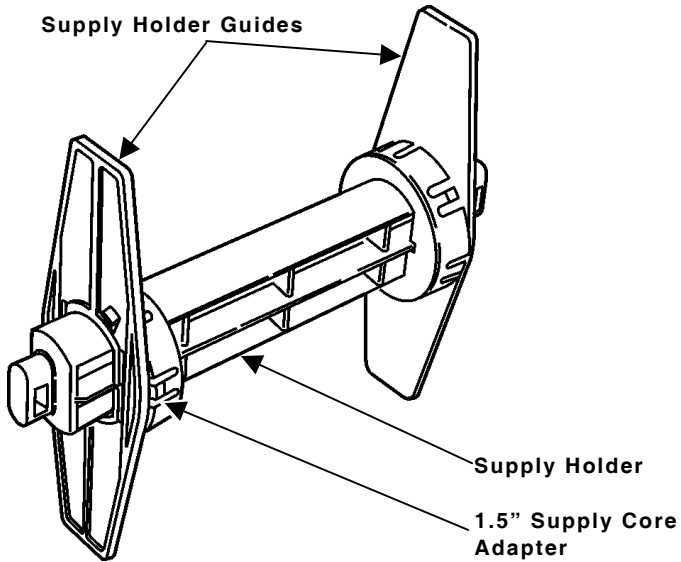
Note: If you run out of labels while printing, do not turn off the printer when reloading the labels. You may lose your data. The printer resumes printing when reloaded.

1. Remove and discard the tape or wrapping from a new roll of labels.
2. Press the cover release levers (located on both sides of the printer) towards the front of the printer to release the cover.



3. Lift open the cover.

4. Remove a supply holder guide from one end of the supply holder. The supply holder is normally attached with a line to the inside of the printer.



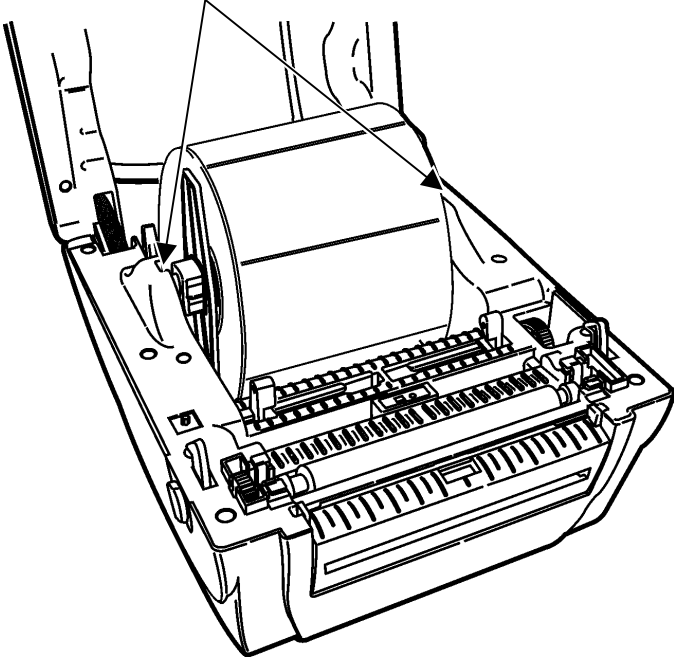
5. Slide a roll of labels onto the supply holder.

Note: If the core diameter on your roll of labels is 1 inch in diameter, remove the 1.5-inch supply core adapters from the supply holder guides.

6. Slide the supply holder guide back onto the end of the supply holder.

7. Insert the ends of the supply holder into the slots in the supply roll mount.

Supply Roll Mount

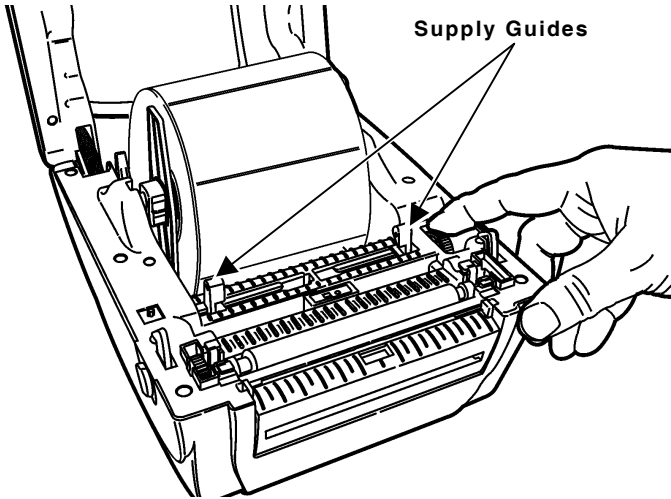


Important Information

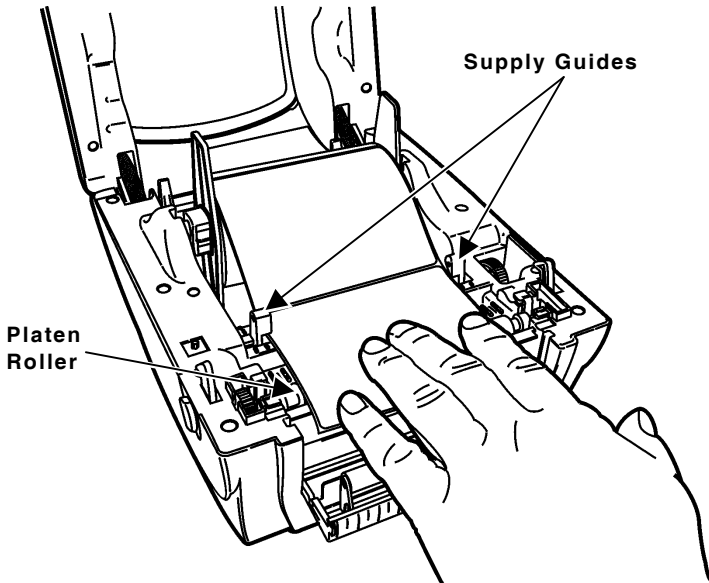
Make sure the plastic line attaching the supply holder to the printer is tucked down out of the way of the supply holder and supply holder guides.

Otherwise, the plastic line may wrap around the supply holder or get caught on the supply holder guides.

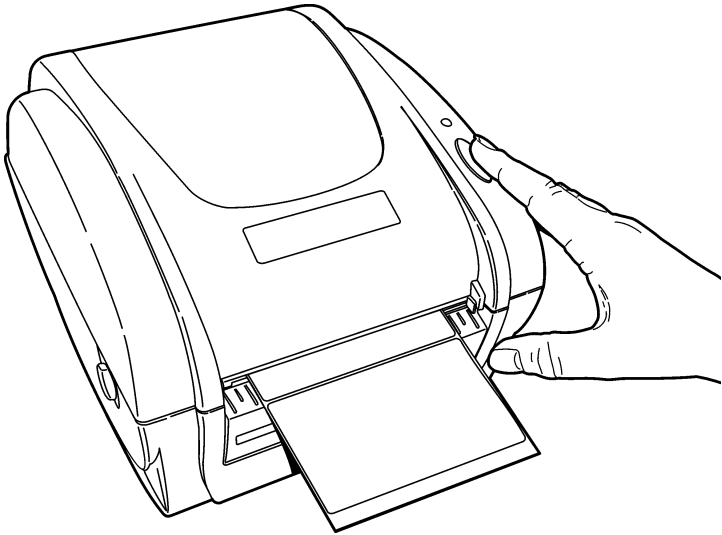
8. Adjust the supply guides to their widest position by turning the dial.



9. Feed the labels, printing side up, under the supply guides and over the platen roller.



- 10.** Press the labels under the supply guides.
- 11.** Turn the dial to adjust the supply guides so that they barely touch the edges of the label backing paper.
- 12.** Close the cover until it locks in place.
- 13.** Press the **FEED** button. The indicator light should be GREEN.



- 14.** Calibrate the supply if printing stops and the indicator light turns RED or the labels do not properly advance. See “Calibrating the Supply,” for more information.

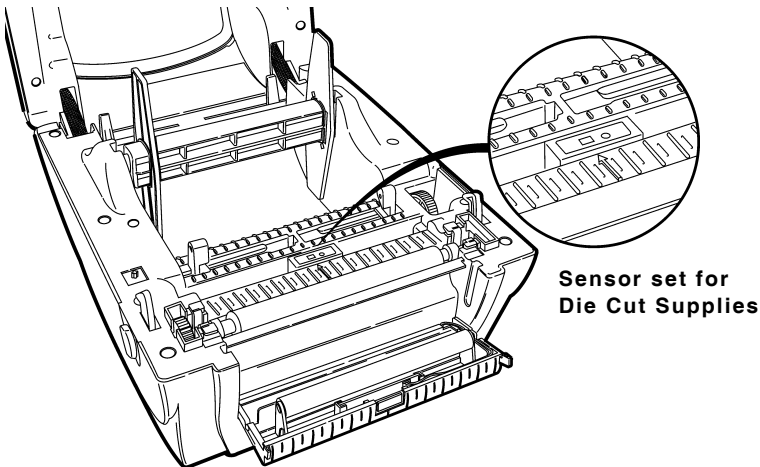
Calibrating the Supply

1. Turn off the printer.
2. Press and hold the **FEED** button while turning on the printer.
3. Release the **FEED** button after the indicator light starts flashing **ORANGE**. The printer calibrates the die cut sensor, measures the label length, and prints the test labels.
4. To resume normal printing, turn off the printer, wait two seconds, then turn it back on again.

If the supply does not calibrate, make sure the die cut sensor has not been accidentally moved.

Checking the Die Cut Sensor

After loading supplies, make sure you did not accidentally move the die cut sensor. The die cut sensor senses and calibrates the supply. For your supplies, make sure the middle of the square lens on the die cut sensor the lines up with the arrow inside the printer.



This chapter describes how to

- ◆ connect the keypad power supply
- ◆ connect the communication cable
- ◆ use the keypad
- ◆ configure the FreshMarx system—**IMPORTANT!**
- ◆ set the date and time
- ◆ process the product
- ◆ print a Use First label
- ◆ use the Stop Printing function.

Note: Keep this manual in a safe place; otherwise, changing the settings would require a service call.

Connecting the Keypad's Power Supply

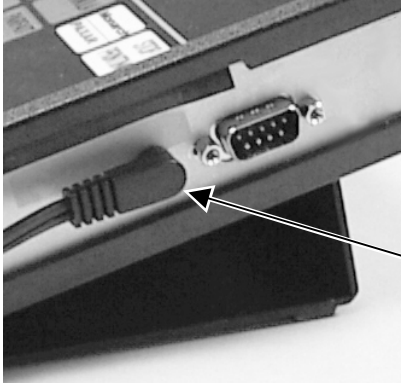
To connect the power supply to the keypad:

1. Place the keypad on a table or shelf.

Note: The keypad should not be operated in a location that has room temperatures above 158°F or below -4°F for extended periods of time. This could permanently damage the display.

2. Place the keypad's power supply in a suitable location, preferably on a table near an electrical outlet.
3. Plug the three-hole end of the AC adapter cable into the three-pronged outlet in the keypad's power supply.

4. Plug the power supply cable with the L-shaped end into the socket on the right side of the keypad.



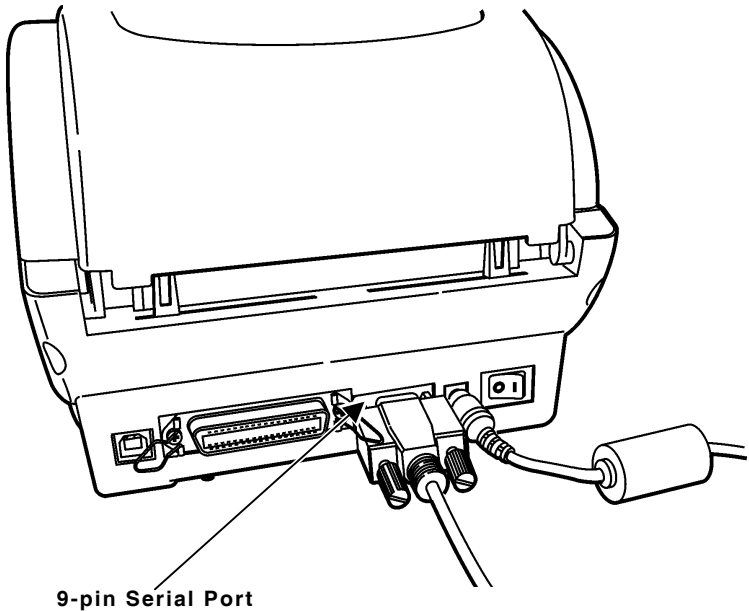
L-shaped Connector

5. Plug the three-pronged end of the AC adapter cord into a grounded electrical outlet.

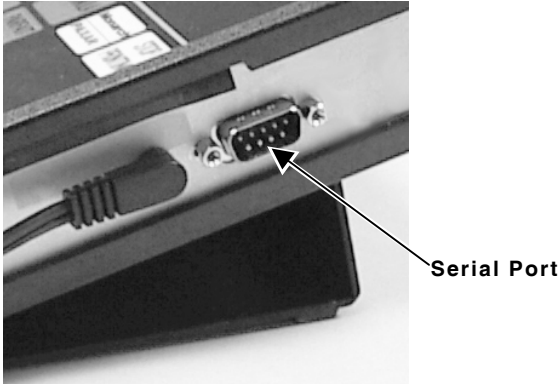
Connecting the Communication Cable

To connect the serial cable from the printer to the keypad:

1. Turn off the printer and the keypad before connecting the cable.
2. Connect the serial cable to the (9-pin) serial port on the back of the printer.



3. Connect the other end of the serial cable (9-pin) to the serial port on the right-hand side of the keypad.



About the Keypad

Use the FreshMarx application to date-label food items. The button descriptions, colors, and layout can be changed for each application. See Chapter 3, “Using the Update Utility,” for more information.

Note: Chapter 3 is only for Supervisors or System Administrators.

Setting up the FreshMarx System

IMPORTANT - Complete the following steps before using the system.

To set up the system:

1. Press the FreshMarx button three times.

SELECT DATE OR TIME

2. Press the number 3 button.

SENDING PRINTER SETUP COMMAND TO PRINTER, PLEASE WAIT.

3. Press any key to print a label.

Setting the Date and Time

To set the Date:

1. Press the FreshMarx button three times.

SELECT DATE OR TIME

2. Press the number 1 button. The display shows the current date setting. If this is correct, press the FreshMarx button to return to the Main Display.

To change the setting, use the numeric buttons:

- ◆ Press 1 to change the month
 - ◆ Press 2 to change the day
 - ◆ Press 3 to add a year
 - ◆ Press 4 to subtract a year
3. Press the FreshMarx button to save the changes and to return to the Main Display.

To set the Time:

1. Press the FreshMarx button three times.

SELECT DATE OR TIME

2. Press the number 2 button.

The display shows the current time setting. If this is correct, press the FreshMarx button to return to the Main Display.

To change the setting, use the numeric buttons:

- ◆ press 1 to change the hours
 - ◆ press 2 to change the minutes
 - ◆ press 3 to change AM/PM.
3. Press the FreshMarx button to save the changes and to return to the Main Display.

Processing the Product

Use the FreshMarx application to label any product for freshness. All products are listed on the buttons on the keypad. The numeric buttons on the keypad allow you to enter the quantity of labels to be printed.

To print one label at a time:

1. Press any product button once.


PRINTING

A label prints for the product you selected.

To print multiple labels:

1. Press the numeric buttons to enter a quantity.

QTY = X SELECT PRODUCT

 X represents the quantity you entered.

2. Press a product button.

PRINTING

The labels print for the product you selected.

Printing a Use First Label

Apply a "Use First" label to any product that needs to be used first.

1. Press the Use First button on the keypad (bottom right)

PRINTING

A label prints with the words "Use First" and "Use Primero".

Using the Stop Printing Function

If you press the wrong number of labels to be printed, or the wrong product button:

1. Press the Stop Printing button on the keypad (upper right) to cancel printing.

If the Printer was in the process of printing a label, it will finish and go to the ready position.

Note: You must be at the Main Display for this function to work.

Future Upgrades

Updates will be provided by Supervisors.

To use the Update Utility, see Chapter 3, "Using the Update Utility," for more information.

USING THE UPDATE UTILITY

3

The FreshMarx Update Utility allows you to

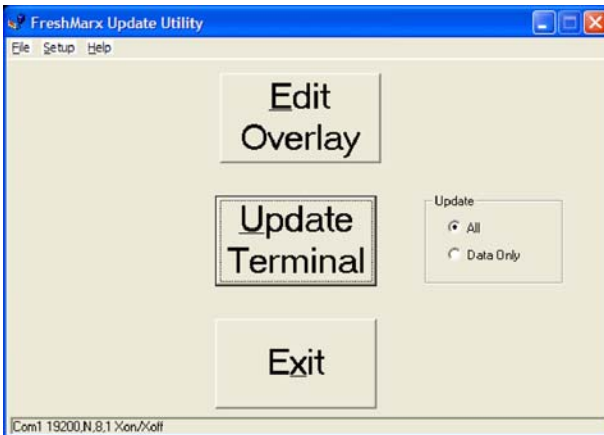
- ◆ edit the keypad's overlay
- ◆ change a key's description
- ◆ change a key's color
- ◆ delete a key
- ◆ print the new overlay
- ◆ send the updated data to the keypad.

Note: This chapter is only for Supervisors or System Administrators.

Before You Begin

Install the Update Utility on a PC with Microsoft® Windows® 98 or greater. The PC should also have Microsoft® Office® 2000 (or greater installed), which includes Access database software.

1. Install the Update Utility by inserting the Update Utility CD into the CD-ROM drive on your PC. Follow the instructions on the screen to complete the installation.
2. Start the Update Utility. The Main screen appears.



At the bottom left-hand corner, there is a status bar, which displays the Utility's current status.

3. Decide what you want to do next:
 - ◆ To edit the overlay (change a key's color or description), see "Editing the Overlay," for more information.
 - ◆ To update the keypad's software/application, see "Updating the Keypad," for more information.

3-2 Using the Update Utility

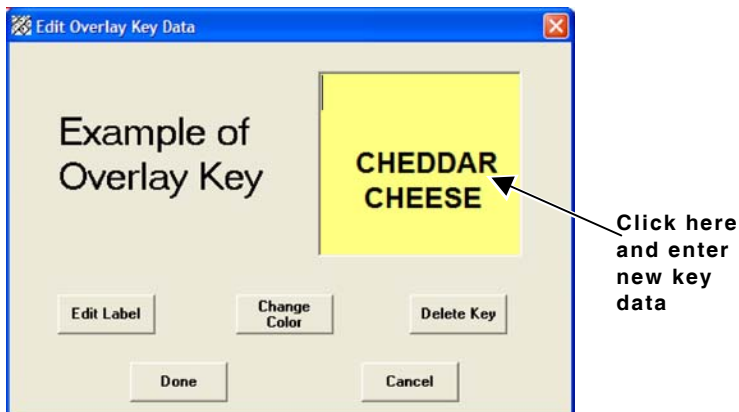
Editing the Overlay

You can change the way the overlay appears (a key's color or text description).

1. From the Main screen, click **Edit Overlay**. The Overlay Edit screen appears.



2. To change a key's text, click the key to change. The Edit Overlay Key Data screen appears.



3. Click in the box and enter the new key data.

4. Click **Edit Label** to change the label's wording, offset time, and choose to print the time on the label. The Edit Label Data screen appears.

Edit Label Data

Enter Text Line 1: BLUE

Enter Text Line 2: CHEESE

Enter Text Line 3: DRESSING

Enter Offset Time: 48 Hrs. Min. Print Time on Label

Example of Label

Done

Cancel

Delete Key

BLUE
CHEESE
DRESSING
PREP
8/04/06 3:47 PM
MUST USE BY:
3:47 PM
8/06/06

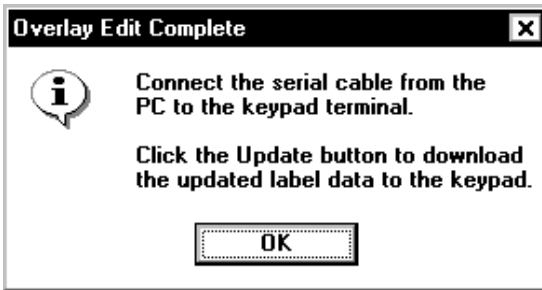
Current time & date

3:47 PM
8/4/2006

5. Change any necessary text for the label or offset time.
6. Decide if you want to print the time on the label. If so, make sure the box is checked next to **Print Time on Label**. If not, make sure the box is *not* checked next to **Print Time on Label**. A sample label displays while you make changes.
7. Click **Done** when finished editing the label. You return to the previous screen (Edit Overlay Key Data). Or, click **Cancel** to cancel these changes and return to the previous screen (Edit Overlay Key Data).
8. Click **Done** when finished editing the label. You return to the previous screen (Overlay Edit).
9. Click **Done** to return to the Main screen.

3-4 Using the Update Utility

Whenever you return to the Main screen, you are prompted:



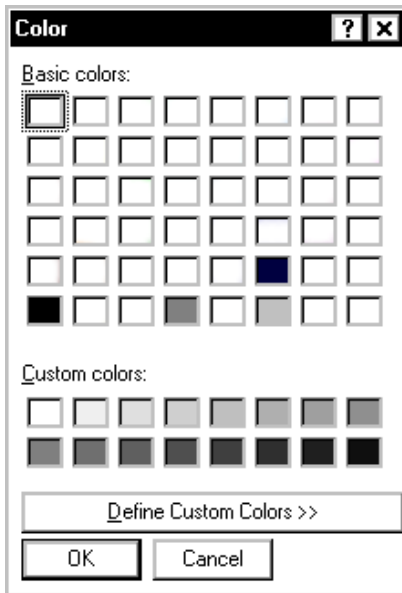
10. Click **OK** to continue.

11. If you made changes:

- ◆ print the new overlay, see "Printing the Overlay," for more information.
- ◆ update the keypad's software/application, see "Updating the Keypad," for more information.

Changing a Key's Color

1. From the Main screen, click **Edit Overlay**. The Overlay Edit screen appears.
2. Click the key to change. The Edit Overlay Key Data screen appears.
3. Click **Change Color**. The Color screen appears.

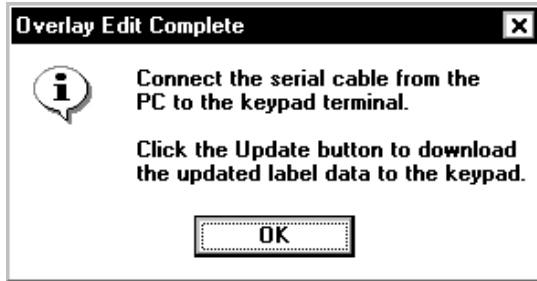


4. Pick the color you want for the selected key. If you want to define a custom color, click **Define Custom Colors>>**. See “Defining Custom Colors,” for more information.
5. Click **OK** when finished picking a color for the selected key. You return to the previous screen (Edit Overlay Key Data). Or click **Cancel** to cancel these changes and return to the previous screen (Edit Overlay Key Data).
6. Click **Done** when finished editing the label. You return to the previous screen (Overlay Edit).

3-6 Using the Update Utility

7. Click **Done** to return to the Main screen.

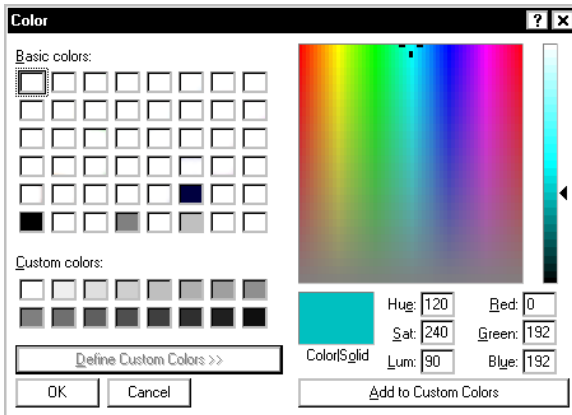
Whenever you return to the Main screen, you are prompted:



8. Click **OK** to continue.
9. If you made changes:
 - ◆ print the new overlay, see “Printing the Overlay,” for more information.
 - ◆ update the keypad’s software/application, see “Updating the Keypad,” for more information.

Defining Custom Colors

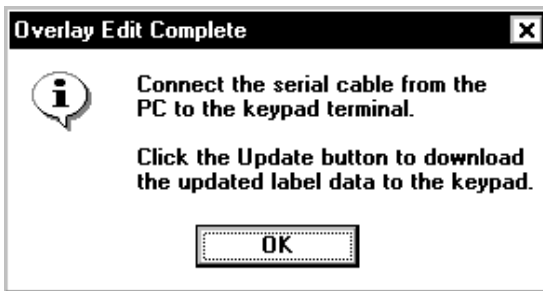
1. From the Main screen, click **Edit Overlay**. The Overlay Edit screen appears.
2. Click the key to change. The Edit Overlay Key Data screen appears.
3. Click **Change Color**. The Color screen appears.
4. From the Color screen, click **Define Custom Colors**. The Custom Color screen appears.



5. Enter values for Hue, Sat, Lum, Red, Green, and Blue if necessary. The color changes based on each value you change.
6. Click **Add to Custom Colors**.
7. Click the color you just added to the custom colors palette.
8. Click **OK** when finished defining a custom color for the selected key. You return to the previous screen (Edit Overlay Key Data). Or click **Cancel** to cancel these changes and return to the previous screen (Edit Overlay Key Data).
9. Click **Done** when finished editing the label. You return to the previous screen (Overlay Edit).
10. Click **Done** to return to the Main screen.

3-8 Using the Update Utility

Whenever you return to the Main screen, you are prompted:



11. Click **OK** to continue.

12. If you made changes:

- ◆ print the new overlay, see “Printing the Overlay,” for more information.
- ◆ update the keypad’s software/application, see “Updating the Keypad,” for more information.

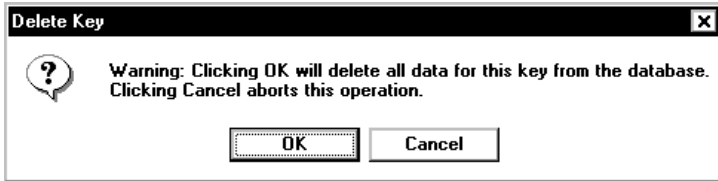
Deleting a Key

Check with your System
Administrator before removing any
key from the database.

You can delete a key from either the Edit Overlay Key Data or Edit Label Data screen. When you delete a key

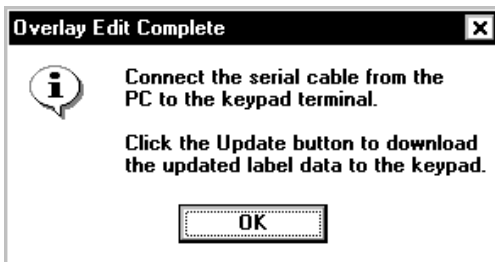
- ◆ the key’s information is removed from the database.
- ◆ the key appears as a black box on the overlay.

1. From the Main screen, click **Edit Overlay**. The Overlay Edit screen appears.
2. Click the key to delete. The Edit Overlay Key Data screen appears. When you click **Delete Key**, you see



3. Click **OK** to remove ALL data for this key from the database and display a black box in place of this key on the overlay.
4. Click **Cancel** to return to the previous screen and keep the key in the database.
5. Click **Done** to return to the previous screen.
6. Click **Done** to return to the Main screen.

Whenever you return to the Main screen, you are prompted:



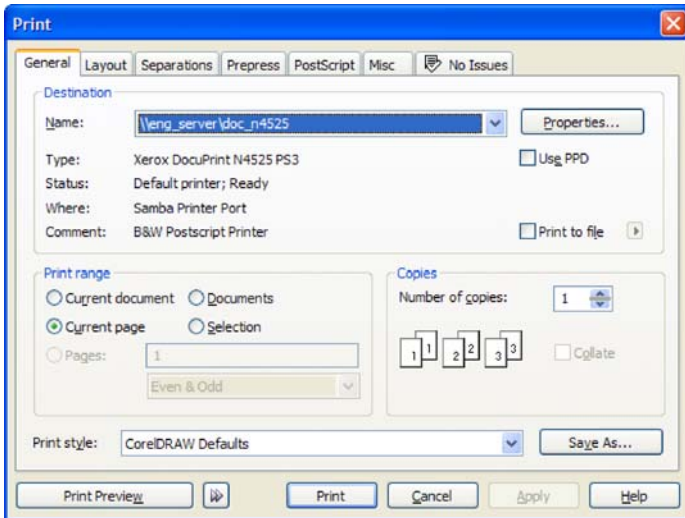
7. Click **OK** to continue.
8. If you made changes:
 - ◆ print the new overlay, see “Printing the Overlay,” for more information.
 - ◆ update the keypad’s software/application, see “Updating the Keypad,” for more information.

3-10 Using the Update Utility

Printing the Overlay

If you make any changes to the overlay, print it on a color printer and insert it into the keypad.

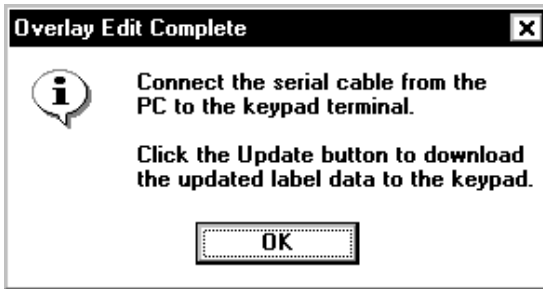
1. From the Main screen, click **Edit Overlay**. The Overlay Edit screen appears.
2. Click **Print**. The Print screen appears. Your Print screen may appear differently, based on your Operating System and printer.



3. Select the printer.
4. Make any changes to the number of copies, Layout, and Paper/Quality if necessary.
5. Click **Print** to print the overlay.
6. Click **Done** to return to the Main screen.

If the overlay prints wrong, the printer properties can be changed. Click **Properties** from the print screen to set up the printer. Refer to the documentation from the color printer you are using to print your overlay for more information.

Whenever you return to the Main screen, you are prompted:



7. Click **OK** to continue.

Updating the Keypad

After the changes are made to the key and label data, send the updated data to the keypad/terminal, so the changes appear on any future labels printed.

Note: Make sure the printer is connected to the computer.

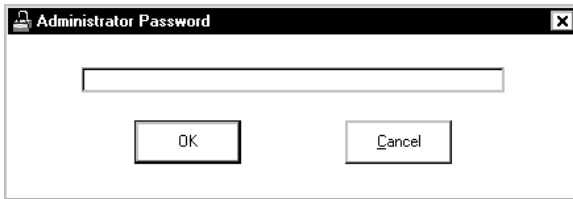
Make sure the computer's serial communication values match those at the keypad. See "Communication Settings," for more information.

Communication Settings

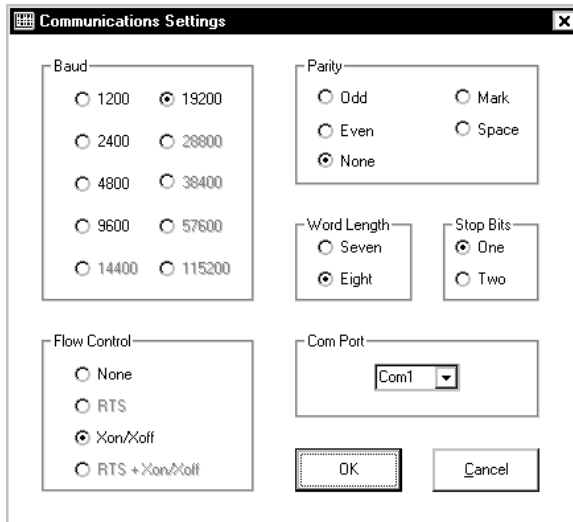
The Update Utility scans your computer for available communication ports and adds them to the Com Port list box.

To display the communication settings:

1. From the Main screen, click **Setup, Com Port**.
You see



2. Enter the password: **5675** and click **OK**. The Communications Settings screen appears.

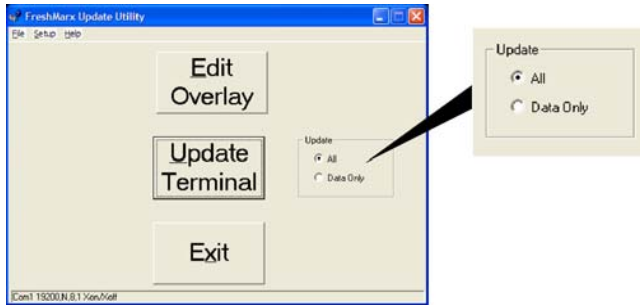


The default settings match the settings of the keypad.

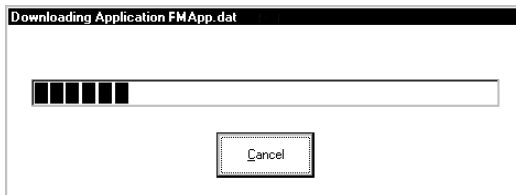
3. Make any changes and click **OK** when finished.
You return to the Main screen.

To update the keypad/terminal:

1. Connect the null modem cable provided in the software kit from the computer to the keypad.
2. On the main menu select **All** to update the application *and* the data files. Select **Data Only** to update just the data sent to the keypad.



3. From the Main screen, click Uppdate Terminal.
The Update Utility begins sending the application and data files to the keypad. Do not click **Cancel** while updating the keypad, data and/or formatting could be lost.
4. When you see "Update Complete. Please unplug terminal power and connect printer cable," the update is complete. Click **OK**.
5. Unplug the keypad's null modem cable from the computer and reconnect the serial cable to the printer. Unplug the terminal's power cable. Wait several seconds and then reconnect the power cable to the keypad. The keypad is now ready to use.



6. Click **E**xit to close the Update Utility.

3-14 Using the Update Utility

CARE AND MAINTENANCE

4

This chapter tells you how to

- ◆ clear label jams
- ◆ clean the printhead

Clearing Label Jams

When you are printing and a jam occurs, the indicator light turns RED.

To clear the jam:

1. Turn off the printer. Press the power switch on the back of the printer to the off position (O).
2. Press the cover release levers towards the front of the printer to release the cover.
3. Lift open the cover.
4. If necessary, remove any previously loaded labels. Lift up the supply holder and remove one of the supply holder guides.
5. Slide the labels off the supply holder.
6. Remove the jammed labels.

Caution: Do not use sharp or pointed objects to remove labels, or damage to the printhead may occur.

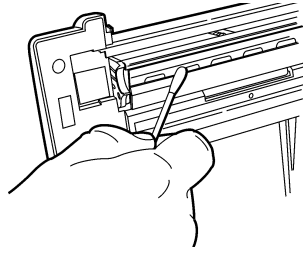
7. Reload the labels. See “Loading Labels” in Chapter 1 for more information.
8. Close the cover until it locks in place.
9. Press the **FEED** button. The indicator light should be GREEN.

Cleaning the Printhead

Remember to clean the printhead every time you load a new label roll into the printer.

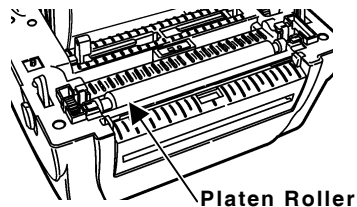
Caution: You must turn off the printer's power before cleaning the printhead. To clean the printhead while printing, you may lose your data when you turn off the printer.

1. Turn off the printer. Press the power switch on the back of the printer to the OFF (O) position.
2. Press the cover release levers towards the front of the printer to release the cover.
3. Lift open the cover.
4. Moisten a cotton swab with isopropyl alcohol.
5. Rub the cotton swab across the printhead to remove any build-up.
6. Allow the printhead to dry for one minute before you close the cover and resume printing.



Cleaning the Platen Roller and Printer

Moisten a cotton swab with isopropyl alcohol and run the cotton swab across the platen roller. Turn the platen roller with your finger and make sure it is clean all the way around.



Note: Do not remove the platen roller. Slightly dampen a cloth with water and wipe the printer's exterior surfaces clean. Use a dry, soft-bristled brush to clean paper dust out of the printer's interior.

Problem	Action
Indicator light is off when the printer is turned on.	Check the power connections from the power supply to the printer and wall outlet. See "Connecting the Printer's Power Supply" in Chapter 1 for more information.
Indicator light is GREEN, but the printer will not print.	Check the cable connections from the keypad to the printer. See "Connecting the Communication Cable" in Chapter 2 for more information.
	Make sure the labels are loaded correctly and that they are the Paxar/Monarch labels recommended for this application. See "Loading Labels" in Chapter 1 for more information.
	Clean the printhead. See "Cleaning the Printhead" in Chapter 4 for more information.
Indicator light is RED.	Make sure the cover is closed.
	Out of labels or the cover is open. Load labels. See "Loading Labels" in Chapter 1 for more information. Make sure the cover is closed until it latches, then press the FEED button.

Problem	Action
<p>Printing stops and indicator light turns RED.</p> <p>Or, the printer does not advance from one label to the next correctly.</p>	<p>Calibrate the supply.</p> <ol style="list-style-type: none"> 1. Turn off the printer. 2. Load labels. See "Loading Labels" in Chapter 1 for more information. 3. Press and hold the FEED button while turning on the printer. 4. Release the FEED button after the indicator light starts flashing ORANGE. The printer calibrates the die cut sensor, measures the label length, and prints the test labels. 5. To resume normal printing, turn off the printer, wait two seconds, then turn it back on.
	<p>Load different labels. See "Loading Labels" in Chapter 1 for more information.</p>
	<p>Clear a label jam. See "Clearing Label Jams" in Chapter 4 for more information.</p>
	<p>Make sure the die cut sensor is in the correct position (was not accidentally moved while loading supplies). See "Checking the Die Cut Sensor," in Chapter 1 for more information.</p>

5-2 Troubleshooting

Problem	Action
Label exits partially out of the printer or skips a label.	<p data-bbox="517 164 912 277">A label may be caught in the printer. See "Clearing Label Jams" in Chapter 4 for more information.</p> <p data-bbox="517 298 932 505">Make sure the labels are loaded correctly and that they are the Paxar/Monarch labels recommended for this application. See "Loading Labels" in Chapter 1 for more information.</p>
Printing is faded or poor quality.	<p data-bbox="517 524 932 730">Make sure the labels are loaded correctly and that they are the Paxar/Monarch labels recommended for this application. See "Loading Labels" in Chapter 1 for more information.</p> <p data-bbox="517 751 932 808">Make sure the cover is closed completely.</p> <p data-bbox="517 829 891 943">Clean the printhead. See "Cleaning the Printhead" in Chapter 4 for more information.</p> <p data-bbox="517 964 887 1052">Adjust the print speed/darkness. See your System Administrator.</p>

Problem	Action
Test label does not print.	Make sure the supply is loaded correctly.
	Make sure the die cut sensor is in the correct position (was not accidentally moved while loading supplies). See "Checking the Die Cut Sensor," in Chapter 1 for more information.
The keypad displays an error.	To clear an error displayed on the keypad, turn off the printer's power switch, wait two seconds, then turn on the printer.

TEMPLATE SAMPLE



This Appendix shows the default FreshMarx keypad template and food item tables for shelf life.

The keypad has 60 keys that can be programmed. It is not necessary to use all 60 keys or choose a background color. Background colors are normally used to separate families of food items for Salad Dressings, Breads, Meats, and Cheeses. See Chapter 3, “Editing the Overlay” for information on changing the overlay.

ROMAINE LETTUCE	ICEBERG LETTUCE	CALIFORNIA MIX	HAM	TURKEY	GROUND BEEF	PIES	FRUIT CUP	THAWED BERRIES	FAJITA SHELLS	WHOLE WHEAT BUNS	BAGELS
SPINACH MIX	CARROTS	POTATOES	ROAST BEEF	GRILLED CHICKEN	BACON	YOGURT	JELLO CUP	COFFEE CAKE	MUFFINS	RYE BREAD	BUNS and ROLLS
ONIONS	TOMATOES	CUCUMBERS	TUNA	SHRIMP		CAESAR DRESSING	ITALIAN DRESSING	CATALINA DRESSING	APPLE JUICE	ORANGE JUICE	GRAPEFRUIT JUICE
BROCCOLI	COLESLAW	PEPPERS	CHEDDAR CHEESE	MOZZARELA	PROVOLONE	HOUSE DRESSING	BLUE CHEESE DRESSING	MAYO	HIGH-FAT MILK	2% MILK	ICED TEA
SALAD PREPARED			JACK CHEESE	BLUE CHEESE	PARMESAN CHEESE	MARGARINE	RAICH DRESSING		1 DAY	2 DAYS	3 DAYS
	1	2	3	4	5	6	7	8	9	0	USE FIRST

Vegetable

Item	Shelf Life
ROMAINE LETTUCE	24 Hours
ICEBERG LETTUCE	24 Hours
CALIFORNIA MIX	24 Hours
SPINACH MIX	24 Hours
CARROTS	24 Hours
POTATOES	24 Hours
ONIONS	48 Hours
TOMATOES	24 Hours
CUCUMBERS	24 Hours
BROCCOLI	48 Hours
COLESLAW	48 Hours
PEPPERS	48 Hours
SALAD PREPARED	24 Hours

Cheese

Item	Shelf Life
CHEDDAR	72 Hours
MOZZERELLA	72 Hours
PROVOLONE	72 Hours
JACK	72 Hours
BLUE	72 Hours
PARMESAN	72 Hours

Dressings

Item	Shelf Life
CAESAR	48 Hours
ITALIAN	48 Hours
CATALINA	48 Hours
HOUSE	48 Hours
BLUE CHEESE	48 Hours
MAYO	48 Hours
MARGARINE	48 Hours
RANCH	48 Hours

Liquids

Item	Shelf Life
APPLE JUICE	48 Hours
ORANGE JUICE	48 Hours
GRAPEFRUIT JUICE	48 Hours
NON-FAT MILK	48 Hours
2% MILK	48 Hours
ICED TEA	48 Hours

Meats

Item	Shelf Life
HAM	48 Hours
TURKEY	48 Hours
GROUND BEEF	48 Hours
ROAST BEEF	48 Hours
GRILLED CHICKEN	48 Hours
BACON	48 Hours
TUNA	48 Hours
SHRIMP	48 Hours

Deserts

Item	Shelf Life
PIES	24 Hours
FRUIT CUP	24 Hours
THAWED BERRIES	24 Hours
YOGURT	24 Hours
JELLO CUP	24 Hours
COFFEE CAKE	24 Hours

Breads

Item	Shelf Life
FAJITA SHELLS	48 Hours
WHOLE WHEAT BUNS	48 Hours
BAGELS	48 Hours
MUFFINS	48 Hours
RYE BREAD	48 Hours
BUNS AND ROLLS	48 Hours

Miscellaneous

Item	Shelf Life
1 DAY	24 Hours
2 DAY	48 Hours
3 DAY	72 Hours
USE FIRST	N/A

Visit **www.paxar.com** for sales, service,
supplies, information, and telephone numbers
for our International locations.

TOLL FREE:

1-800-543-6650 (In the U.S.A.)

1-800-363-7525 (In Canada)

Free Manuals Download Website

<http://myh66.com>

<http://usermanuals.us>

<http://www.somanuals.com>

<http://www.4manuals.cc>

<http://www.manual-lib.com>

<http://www.404manual.com>

<http://www.luxmanual.com>

<http://aubethermostatmanual.com>

Golf course search by state

<http://golfingnear.com>

Email search by domain

<http://emailbydomain.com>

Auto manuals search

<http://auto.somanuals.com>

TV manuals search

<http://tv.somanuals.com>