



8" TFT LCD TV with Card Reader

Cat. No.16-3350



User's Guide

TABLE OF CONTENTS

A. Introduction	3
B. Cautions and Warnings	3
C. Package Contents	8
D. Indoor Installation	9
E. Rechargeable Battery	10
F. Controls/Indicators/Connectors	13
G. Remote Controls	15
H. Card Reader	19
I. System Operation	22
J. Watching TV	24
K. Playing a Video Game	25
L. Using Headphones	25
M. Support Home TV	25
N. Specifications	26

A. Introduction

Thank you for selecting this multi-media system, featuring an 8" LCD TV with Card Reader. It utilizes the latest state of the art electronics and is designed for use in homes, offices, hotels, and vehicles. The unit is compact so that you can take it with you almost anywhere, and is designed for easy installation. Please read all the instructions in this manual to ensure proper installation and superior equipment performance.

B. Cautions and Warnings

1. **Read Instructions** — Read all the safety and operating instructions before operating the product.
2. **Retain Instructions** — Retain the safety and operating instructions for future reference.
3. **Heed Warnings** — Adhere to all warnings on the product and in the operating instructions.
4. **Follow Instructions** — Follow all operating and user instructions.
5. **Cleaning** — Unplug this product from the wall outlet before cleaning it. DO NOT use liquid cleaners or aerosol cleaners. Use a damp cloth for cleaning.
6. **Attachments** — DO NOT use attachments not recommended by the product manufacturer as they may cause hazards.
7. **Mounting** — DO NOT place this product on an unstable cart, stand, tripod, bracket, or table. The product may fall, causing serious injury to a child or adult, and serious damage to the product. Use only with a cart, stand, ripod, bracket, or table recommended by the manufacturer or sold with the product. Any mounting of this product should follow the manufacture's instructions, and should use a mounting accessory recommended by the manufacturer.

8. **Heat** — Situate the product away from any source, such as radiators, heat registers, stoves or other products (including amplifiers) that produce heat.
9. **Water** — DO NOT use this product near water. For example, avoid placing it near a bathtub, washbowl, kitchen sink, laundry tub, in a wet basement, near a swimming pool, etc.
10. **Cabinet Slots** — NEVER push objects of any kind into the unit through the cabinet slots, as they may touch dangerous voltage points or short out parts that could result in a fire or electric shock. NEVER spill liquid of any kind on the product.
11. **Ventilation** — DO NOT block any ventilation openings. Install in accordance with manufacturer's instructions. Slots and openings in the cabinet and on the back and bottom are provided for ventilation, and to ensure reliable operation of the product and protect it from overheating. These openings must NOT be blocked or covered. There should be at least 4" (10cm) of space from these openings. The openings should never be blocked by placing the unit on a bed, rug, or other similar surface. This product should NOT be placed in a built-in installation, such as a bookcase, unless proper ventilation is provided.
12. **Grounding or Polarization** — This product may be equipped with a polarized alternating current line plug (a plug having one blade wider than the other). This plug will fit the power outlet only one way. This is a safety feature. If you are unable to insert the plug fully into the outlet, try reversing the plug. If the plug should still fail to fit, contact your electrician to replace your obsolete outlet. DO NOT defeat the safety purpose of the polarized plug.
13. **Power Cord Protection** — Route power supply cords so they are not likely to be walked on or pinched by items placed upon or against them. Pay particular attention to cords at plugs, convenience receptacles, and the point where they exit from the product.

14. **Power Sources** — Operate this product only from the type of power source indicated on the rear panel. If you are not sure of the type of power supply to your home, consult your product dealer or local power company.
15. **Lightning** — For added protection for this product during a lightning storm, or when it is left unattended and unused for a long period of time, unplug it from the outlet and disconnect the antenna or cable system. This will prevent damage to the product due to lightning and power line surges.
16. **Power Lines** — An outside antenna system should not be located in the vicinity of overhead power lines or other electric light or power circuits, or where it can fall into such power lines or circuits. When installing an outside antenna system, extreme care should be taken to keep from touching such power lines or circuits, as contact with them could be fatal.
17. **Overload** — DO NOT overload wall outlets, extension cords, or integral convenience receptacles, as this can result in a risk of fire or electric shock.
18. **Damages Requiring Service** — Unplug this product from the wall outlet and refer servicing to qualified service personnel under the following conditions.
 - a. When the power-supply cord or plug is damaged.
 - b. If liquid has been spilled, or objects have fallen into the product.
 - c. If the product has been exposed to rain or water.
 - d. If the product does not operate normally after following the operating instructions. Adjust only those controls that are covered by the operating instructions, as an improper adjustment of other controls may result in damage and will often require extensive work by a qualified technician to restore the product to its normal operation.

- e. If the product has been dropped or damaged in any way.
 - f. When the product exhibits a distinct change in performance, as this indicates a need for service.
19. **Replacement parts** — When replacement parts are required, be sure the service technician has used replacement parts specified by the manufacturer or have the same characteristics as the original part. UNAUTHORIZED substitution may result in fire, electric shock, or other hazards.
20. **Safety Check** — Upon completion of any service or repair to this product, ask the service technician to perform safety checks to determine that the product is in proper operating condition.
21. **CAUTION** — There is a danger of explosion if the battery is incorrectly replaced. Replace only with the same or equivalent type.
22. **Important Information Regarding Use of Video Games, Computer, Captions or other Fixed Image Displays.**
The extended use of a fixed image program material can cause permanent “Shadow Image” on the LCD Panel. The background image is viewable on normal programs in the form of a stationary fixed image. Limit this type of irreversible LCD panel deterioration by observing the following steps:
- a. Reduce the brightness/contrast setting to a minimum viewing level.
 - b. DO NOT display the fixed image for extended periods of time.
 - c. Turn the power off when not in actual use.

23. Safety Caution



The Lightning flash with the arrowhead symbol within an equilateral triangle is intended to alert the user to the presence of uninsulated “DANGEROUS VOLTAGE” within the product’s enclosure that may be of sufficient magnitude to constitute a risk or electric shock to persons.



The Exclamation point within an equilateral triangle is intended to alert the user to the presence of important operating and maintenance (servicing instructions in the literature accompanying the product).

24. Federal Communication Commission Information (FCC)

This Equipment has been tested and found to comply with the limits for a TV Broadcast Receiver, pursuant to Part15 of the FCC Rules. These limits are designed to provide reasonable protection against harmful interference in a residential installation. This equipment generates, uses and can radiate radio frequency energy and, if not installed and used in accordance with the instructions, may cause harmful interference to radio communications. If this equipment does cause or receive interference, which can be determined by turning equipment off and on, the user is encouraged to try to correct the interference by one of the following measures:

- a. Reorient or relocate the TV antenna.
- b. Increase the separation between the TV and other equipment.

- c. Connect TV into separate outlet from equipment.
- d. Consult the dealer or an experienced radio/TV technician for help.

FCC Caution: Any changes or modifications not expressly approved by the party responsible for compliance could void the user's authority to operate this equipment

25. INSTALLATION

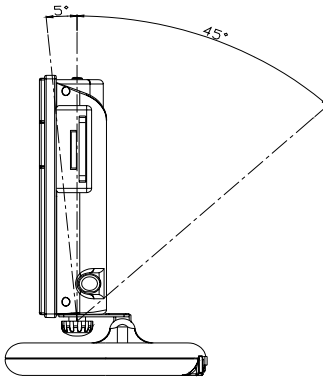
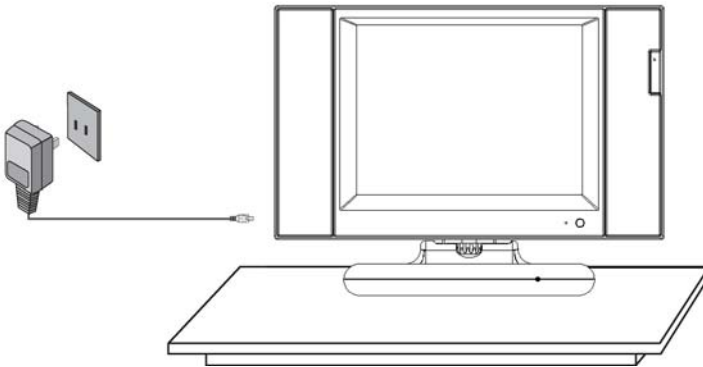
- a. **Receiver Location** — Locate for comfortable viewing. Avoid placing where sunlight or other bright light will fall on the screen. Use of some types of florescent lighting can reduce remote control transmitter range. Adequate ventilation is essential to prevent internal component failure. Keep away from areas of excessive heat. To ensure optimum picture quality do not position magnetic equipment nearby.
- b. **Cable Equipment** — The audio/video connection between components can be made with shielded video and audio cable. For best performance, antenna cables should utilize 75 Ohm coaxial shielded wire. Cables are available from your dealer or electronic supply store. Before you purchase any cables, be sure you know what type of output and input connectors your various components require. Also, determine the length of cable you'll need.
- c. **Optimum Quality picture** — Turn off florescent lamps near the LCD and place in a location not exposed to outdoor light.

C. Package Contents

1. TV/Card Reader Combination Unit with Speakers.
2. Coaxial Connector
3. Remote Control
4. AC/DC Adapter
5. Owner's Manual
6. RCA AV Cable

D. Indoor Installation

Swing up the rear metal stand and place the unit on a table or other level surface. Plug one end of the AC/DC adapter into the **12V DC IN** on the right side of the main unit. Then, plug the other end into a standard AC wall outlet..



CAUTION: Adjust the battery stand within -5° — $+45^{\circ}$.

E. Rechargeable Battery

Rechargeable Battery Installation and Use

The unit utilizes a set of long-life Ni-MH batteries for a portable power supply. Ni-MH batteries feature high storage capacity and a low level of degradation. This means that the Ni-MH batteries do not have “Memory Effect” and thus can be recharged safely, regardless of whether the battery is fully or only partially discharged. Fully charge the battery prior to first use.

NOTE: Before you use the battery for the first time, ensure that the battery has been charged for at least eight hours. If you plan not to use the battery for an extended period of time (one week or longer), we recommend that you first fully charge the battery and store it away properly. For longer periods of storage, please recharge the battery at least once every two months to keep the battery in optimum condition. Never short the battery terminals, store the battery in a metal container, or leave the battery in a humid or damp environment. Store the battery in an airtight container with desiccant or other dehumidifying agent. Each full recharge takes approximately four hours and one full charge can provide power to the unit for approximately 2 hours. During recharge, the red indicator will stay on. Once fully recharged, the red light will turn off. At this point you may remove the wall plug and stop charging.

Switch for rechargeable battery

1. Switch to "On" to charge and operate the product at the same time.
2. Switch to "Off" can operate the unit but cannot be charged.

NOTE: Always switch the unit off when it is not being charged.

Precautions related to Battery Recharge

Warning: Do not recharge the battery using an in-car DC adapter !

1. Once the battery is fully discharged, immediately recharge (regardless of whether you plan to use battery or not) in order to maximize battery life.
2. To charge the battery, remove the adapter cable from the DC12V input jack on the right side of the main unit and connect the power jack of the AC adapter directly into the battery. The red charging indicator will light. When the battery is fully charged, the indicator light will turn off.
3. When recharging in your car, make sure the voltage is lower than 16V, and 3 amps. If over, the value may result in an electric shock or other hazards.

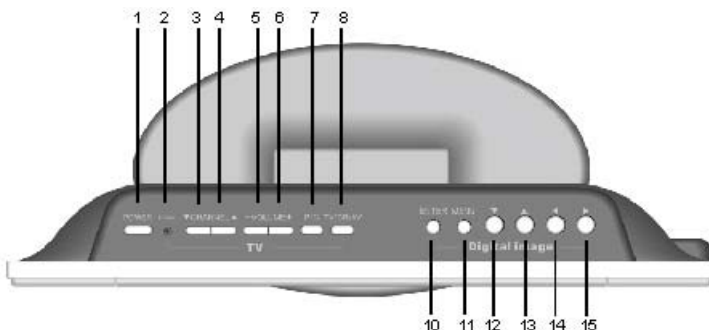
Using and Maintaining your Rechargeable Batteries

1. Use only the AC adapter included with the unit to recharge the battery.
2. Recharge efficiency will degrade when environmental temperatures drop below 50°F (10°C) or exceed 95°F (35°C).
3. Remove the battery from the unit and store it properly if you are not planning to use the unit for a month or more. During this period, please recharge the battery at least once every two months to avoid irreparable damage to the battery. If the battery is attached to the unit for a long period of time, recharge the battery at least once every two weeks.

Rechargeable Battery Specifications

Dimensions (W x H x D)	5 1/4" x 2 1/8" x 1/5 " (130 x 52 x 16.8mm)
Battery Type	Ni-MH
Voltage	10.8 V
Capacity	2200 mA/hr

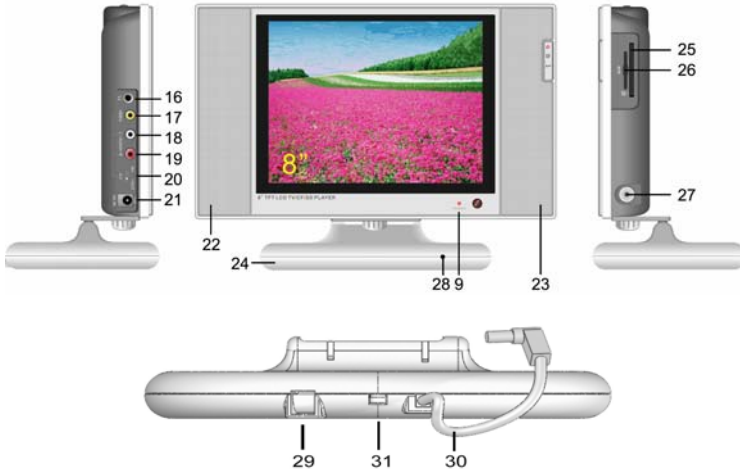
F. Controls/Indicators/Connectors



Top Panel

1.	POWER On/Off	Press to toggle between TV/AV mode
2.	TV Auto PROGRAM	Press to scan all valid channels and store them automatically
3.	TV CHANNEL ▼Down	Press to decrease channel number
4.	TV CHANNEL ▲Up	Press to increase channel number
5.	VOLUME – Down	Press – to decrease volume
6.	VOLUME + Up	Press + to increase volume
7.	PIC Ture Select	Press to adjust Contrast, Brightness, Color, Tint, Sharpness, Language and Factory Reset
8.	TV/AV/CARD Reader Switch	Press to select TV, AV, or card reader
10.	ENTER	Press to confirm setting
11.	MENU	Press to set up card reader
12.	Digital image Up ▲	Press to move cursor down during setting card reader
13.	Digital image Down ▼	Press to move cursor up
14.	Digital image Left ◀	Press to move cursor leftward
15.	Digital image Right ▶	Press to move cursor up rightward

Front/Side Panel



9.	Power Indicator	Lights when power is ON
16.	Headphone jack 3.5 mm	Connect headphone here
17.	VIDEO IN/OUT jack	Video Input/output jack
18.	Left AUDIO In/Out	Audio-L input/output jack
19.	Right AUDIO In/Out	Audio-R input/output jack
20.	A/V IN/OUT Switch	A/V output-input select switch
21.	12V DC IN Jack	Connects 12V DC adapter
22.	Left Speaker	
23.	Right Speaker	
24.	TV Stand	
25.	CF Card Slot	Insert CF card here
26.	SD Card Slot	Insert SD card here
27.	TV Antenna Jack	Connects external antenna or CATV cable
28.	Battery Charging Indicator	Lights when battery is charging.
29.	Battery Charger DC In Jack	To charge the rechargeable battery, connect battery charger power cord here.
30.	Battery Cable	When using battery power, connect this cable to the 12V DC IN jack.
31.	Battery Charger ON/OFF Switch	To charge battery, set to ON. To use AC power, set to OFF.

G. Remote Controls (Refer to Figure 3)

Battery Installation

Remove the battery cover on the back of the remote control by gently pressing down on the knurled arrow and sliding the cover down. Install the two included AAA batteries into the back of the remote control. Replace the battery cover by gently sliding the cover back up until it snaps into place.

Remote Control Buttons

1. **CARD/TV/AUX** Switch
2. **POWER** On/Off Switch

TV

3. **0 — 9** Buttons
4. **TV/CATV** Switch
5. **MUTE**
6. **PICTURE** Button
7. **VOLUME +/-** Up/Down
8. TV Channel **AUTO MEMORY**
9. TV Channel **SKIP SEARCH**
10. TV Channel **ERASE WRITE**
11. **CH +/-** Up/Down
12. **RETURN**
13. **DISPLAY**

Card Reader Digital Image Viewer

14. **SETUP**
15. **▲Up/▼Down/◀Left/▶Right/ENTER**
16. **ROTATE**
17. **INFO**
18. **DISPLAY**
19. **ZOOM-**
20. **ZOOM+**
21. **JPG/AVI**
22. **SLIDE**
23. **LANGUAGE**
24. **NEXT**
25. **BACK**
26. **MODE**

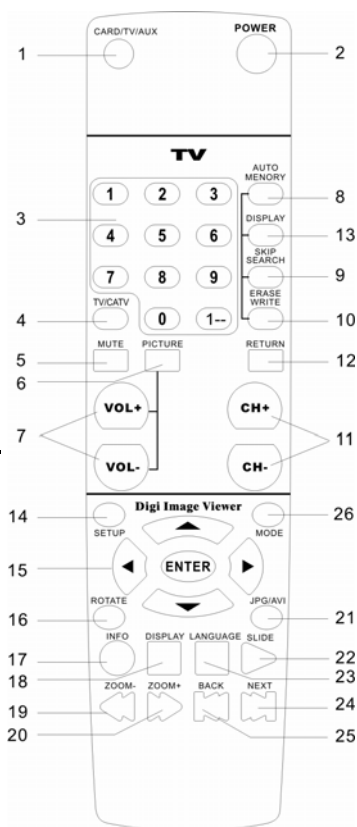


Figure 3

1. **CARD/TV/AUX Switch** — Video signals from video equipment connected to the audio/video input can be displayed on the monitor by pressing this button. Each time the button is pressed, the audio/video source will change.
2. **POWER On/Off** — Turns the power of the unit on and off.
3. **Numbers 0-9** — Use for direct entry of channel numbers. To select channel numbers above 99 when in CATV mode, press **1** — key followed by the two digit number (up to 25) that you wish to jump to. For example: **1 — 22** will take you to channel 122.
4. **TV/CATV Select** — Use to select regular VHF/UHF air broadcast TV or 125 channel cable TV.
5. **MUTE** — Temporarily shuts off the audio coming from the speakers or headphones.
6. **PICTURE Select** — Each time you press this button,, the on-screen picture adjustment will display the “adjustment bars” for Contrast, Brightness, Color, Tint, Sharpness, Language and Factory Reset. Once the desired adjustment bar is displayed, use the **VOL**ume + or - buttons to adjust the setting. The display will automatically turn off if no adjustments are made within 10 seconds, or if the picture button is pressed several times.
7. **VOL**ume +Up/–Down — Use to adjust the volume of the audio coming from the TV/DVD unit and to increase and decrease certain settings within the on-screen setup menus.
8. **TV Channel AUTO MEMORY** — Press this button to begin the auto channel setup.
9. **TV Channel SKIP SEARCH** — Press this button to toggle between skip on and skip off. When on, the TV will only tune to the channels that were set up using the Auto Memory search. When off, the TV will tune all channels regardless of Auto Memory search settings.

10. **TV Channel ERASE WRITE** — Use this button to manually add or remove channels from the channel memory list.
11. **Channel + Up/– Down** — Pressing these buttons increase or decrease channel numbers within the channel memory list.
12. **RETURN** — Press this button to return to the last channel.
13. **DISPLAY** — Press this button to display channel number.
14. **SETUP** — An OSD is shown on TV for users to set operation parameters.
15. **◀▶▲▼Arrow/ENTER** — Press to move cursor Left/Right/Up/Down during setting card reader. Press **ENTER** to confirm settings and choose directory or pictures).
16. **ROTATE** — Press to rotate image 0, 90, 180, 270 degrees.
17. **INFO** — Displays folder info and file names. Press **INFO** to turn this function ON or OFF. Information shown is: File Name, Image Number, Resolution, Date, and Memory Card Type.
18. **DISPLAY** — Change between folder mode and picture mode. The screen returns to primarily select folder while looking at the picture.
19. **ZOOM –** — Zoom out Jpeg Images.
20. **ZOOM +** — Zoom in Jpeg Images.
21. **JPG/AVI** — Select JPG or AVI file display.

JPG: files have to be saved using the baseline compression.

AVI : A type of AVI (Audio Video Interleave) file format that handles images and sound as a single file. Images in the file are recorded in JPEG format. Files have to be motion JPG with 15fps.

22. **SLIDE** — All JPEG images in the card will automatically be displayed one by one on TV.
23. **LANGUAGE** — Change the menu language and choose between English and French.
24. **NEXT** — When you are in thumbnail preview mode use this button to quickly switch to next pages.
25. **BACK** — When you are in thumbnail preview mode use this button to quickly switch to previous pages.
26. **MODE** — Changes between the 3 different modes as follows:
 - 1st **Preview Mode**: Thumbnail preview showing 9 images. Use arrow buttons to choose different thumbnail or ◀ ▶ buttons to see next page. Use the **ENTER** button to see a single view.
 - 2nd **Slideshow Mode**: Presents all images in a slideshow. Images rotate automatically every second. Use left and right arrow buttons to change the time interval for each slide.
 - 3rd **Single View Mode**: Shows one single image (704x480). Use arrow buttons to navigate and view next or previous images. Use Zoom, Pan and Rotate function by pressing the designated keys.

H. Card Reader

CAUTION : outdo not remove the card while the indicator light is on. The card is being read.

Detail

A. Thumbnail Mode:

1. Shows 9 (3x3) thumbnails on the TV at once.
2. Use Up/Down/Left/Right keys to select one JPEG image.
3. Press **ENTER** to view the selected JPEG image (return to single view mode)(All file mode).

B. Single View Mode:

1. Use the ◀ left and ▶ right keys to change the picture.
2. Press the **ZOOM – (in)** key to enter auto Pan mode.
3. Press **MODE** to enter preview mode.
4. Press **SLIDE** to enter slide show mode.

C. Setup:

1. Press **SETUP** to enter setup mode.
2. Press ▲Up/▼Down to change selection.
3. Press **ENTER** to choose the desired function or enter sub-menu.
4. Press the ◀left key to return to previous menu.
5. Press **SETUP** to return to normal mode.

Format Supported

JPEG

- The Maximum resolution of JPEG file that the card reader can decode is up to 16384 x 16384 pixels.
- Display speed is <4.5 sec for 3 Meg JPEG>.
- Do not support “Progressive” format JPEG.

Motion JPEG

- Support AVI format Motion JPEG,FPS 15
- Support Audio Output (FPS Must <=15)
- FPS >15 NO Audio Output
- Video resolution 320 x 240

Supported cards

- CF (Compact Flash)
- IBM Micro Drive
- SD (Secure Digital)
- MMC (Multi Media Card)

Function

1. Display JPEG Images on TV from Cards
2. Display Motion JPEG AVI on TV from Cards
3. Zoom
 - a. Press **ZOOM +** in Single View Mode to enlarge a certain part of the image.
 - b. Use the arrow buttons to pan and view different parts of the image.
 - c. Press **ZOOM –** in Single View Mode to change back to the original size.
 - d. The standard enlargement is 1x
 - e. Zoom does not support AVI format.
4. Rotate
 - a. Image Rotation 0, 90, 180, 270 degrees
 - b. Press **ROTATE** to rotate a single image clockwise by 90 degrees at the time.
 - c. Rotate does not support AVI format.
5. Slide Show
 - a. Presents all images in a slideshow. Images rotate automatically every second. Setup → Other Settings → Set Slide Duration → Left and Right. Interval time is set based on 3 mega pixel pictures: Fast is 5 seconds. Middle is 10 seconds. Slow is 15 seconds.
 - b. The interval time to change pictures = Time interval of pictures + reading time (depends on the different picture size in memory card).

Setup

1. **Playback Functions**

- a. Info function: Press **INFO** (to turn ON or OFF) to display folder info and file names. Information shown is: file name, image number, resolution, date and memory card type.
- b. Display function: Press **DISPLAY** to change between folder view and image view.
- c. Image view shows all images on the media card, regardless of which folder they are stored in.
- d. Folder view shows the folders on the card as seen on the computer. Use the **ENTER** button to choose a certain folder and use the **▲** arrow to go one level up. Use the **◀ ▶** arrows to choose different folders.
- e. When in folder view, select folder view again to return to the main screen.

2. **Select File Type**

Change between displaying either JPG or AVI files. Same function as 'JPG/AVI' button.

3. **Select Card**

Choose CF/SD card slot. This is only required if two or more cards are inserted at the same time.

4. **Other Settings**

- a. You can switch between 4:3 and 16:9 screen dimensions.
- b. Use the **LANGUAGE** button to change menu language. Select English or French.
- c. Use the **DURATION** switch to change interval time for pictures in a slide show.
- d. Use the **TRANSITION ON/OFF** button to turn transition effects on or off during a slide show presentation.

I. System Operation

1. Press **POWER** to switch the unit on or off. The switch indicator will light red and the unit will go to the mode last used and stored in memory.
2. Press **CARD/TV/AUX** to select your desired mode. When switching the mode, the media player can memorize the present playing point.
3. Press **VOLUME +/-** to raise or lower the sound level or you press **PICTURE** to adjust picture in the picture select mode.
4. Each time you press **PICTURE**, the onscreen picture adjustment display cycles through adjustment bars for **CONTRAST, BRIGHTNESS, COLOR, TINT, SHARPNESS, LANGUAGE, and FACTORY PRESET**. Then, use **VOLUME +/-** to raise or lower the level. This display will automatically turn off if no adjustments are made within about 6 seconds, or if any other button is pressed.
5. Press **MUTE** to turn off all sound; pressing this button again restores sound to the previously set level. **MUTE** may also be released by pressing **VOLUME +/-**.

NOTE: Always turn the TV off with standard process. First, press **POWER** to set the TV to standby mode. Then, remove the AC/DC adapter.

CARD READER PLAYING

1. Press **CARD/TV/AUX** to select Card mode.



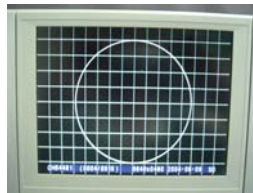
2. Insert the CF or SD card into the card slot, as illustrated below.



3. 9 (3 x 3) thumbnails appear on the monitor. Use the ◀/▶ keys to switch picture as illustrated below)



4. Press **ENTER** to zoom out.



5. Press **MODE** to change picture mode.

6. In card mode, press **TV/AV/CARD** to switch modes, the slide show will stop. Press **SLIDE** to continue.

J. Watching TV

1. Connect the coax cable line to the supplied Right angle adapter. Insert the supplied Right angle adapter into the coax input located on the bottom left side of the unit.
2. With power supplied to the system and the TV mode selected, press **TV/CATV** on the remote control to select the regular 69-channel Broadcast TV and the 125-Channel Cable TV (Standard Cable, HRC Cable, and IRC Cable) with on-screen display.

Note: Please contact your local cable provider to verify your cable access.

3. Press **AUTO MEMORY** to search and tune all channels in TV or CATV mode. The channels with signals detected are automatically stored.
4. Use **SKIP/SEARCH** to select between SKIP and SEARCH mode. In SKIP mode, the TV only stops on channels that are programmed into memory when the **CH +/-** buttons are used. When SKIP mode is off, the TV will stop on all active channels.
5. To erase a TV channel, press **ERASE/WRITE** until the channel number displayed on the screen turns red. To store a TV channel, press this button until the channel number displayed on the screen turns green. The stored channel numbers are displayed in green on the screen while the non-stored channel numbers are in red.

K. Playing a Video Game

Plug the AV output from your game system into the AV IN jack on the front of the unit. You can use the attached AV cable to convert the 3.5mm AV jack on the unit to stereo phono jacks, and match the color-coded jacks to the appropriate plugs. Connect yellow (VIDEO) to yellow, white (AUDIO L) to white, and red (AUDIO R) to red. Select the AV mode and adjust the volume and picture controls.

L. Using Headphones

Optional wired Hi-Fi headphones may be used with the system. Simply plug in the headphone to either headphone jack on the front of the unit. When using the right headphone jack, both internal speakers will be turned off.

M. Support Home TV

Match the color-coded plugs in the rear of the unit: yellow (VIDEO) to yellow, white (AUDIO L) to white, and red (AUDIO R) to red.

N. Specifications

Display Specs:		
Resolution	640 x 480	
Viewing Angle	Hor: 60° deg., Vert: Top 50° deg.	
Contrast Ratio	300:1 (Max) Bottom 60° deg.	
Brightness	300 Cd/m ² (Max)	
Backlight Life	10,000 Hrs (Min)	
Color System	NTSC	
Screen type	LCD	
Screen size	8 inches	
Remote Control	Infrared rays	
Antenna	Ext antenna	
Channels	VHF Low : 2 ~ 6 VHF High : 7~13 UHF : 14 ~ 69 CATV : 1 ~ 125	
Audio output	2 Watts	
Power Input	DC 12 V, 2.5A	
AC Power Source	AC 110V-240V@50/60Hz	
Operating Humidity	10 ~ 75%	
Operating Temperature	41°F to 104°F (5° to 40°C)	
Storage temperature	4°F to 140°F (-15° to 60°C)	
Dimensions (W x H x D) (Excluding stand)	11 1/32 x 6 5/8 x 1 9/16 Inches (280 x 168 x 40 mm)	
Weight	3.3 lbs (1.5 kg)	

Free Manuals Download Website

<http://myh66.com>

<http://usermanuals.us>

<http://www.somanuals.com>

<http://www.4manuals.cc>

<http://www.manual-lib.com>

<http://www.404manual.com>

<http://www.luxmanual.com>

<http://aubethermostatmanual.com>

Golf course search by state

<http://golfingnear.com>

Email search by domain

<http://emailbydomain.com>

Auto manuals search

<http://auto.somanuals.com>

TV manuals search

<http://tv.somanuals.com>