

AXIS 225FD
Fixed Dome Network Camera
User's Manual



About this Document

This manual is intended for administrators and users of the AXIS 225FD Fixed Dome Network Camera, and is applicable for software release 4.30. It includes instructions for using and managing the AXIS 225FD on your network. Previous experience of networking will be of use when using this product. Some knowledge of UNIX or Linux-based systems may also be beneficial, for developing shell scripts and applications. Later versions of this document will be posted to the Axis Website, as required. See also the product's online help, available via the Web-based interface.

Safety Notices Used In This Manual

Caution! - Indicates a potential hazard that can damage the product.

Important! - Indicates a hazard that can seriously impair operation.

Do not proceed beyond any of the above notices until you have fully understood the implications.

Intellectual Property Rights

Axis AB has intellectual property rights relating to technology embodied in the product described in this document. In particular, and without limitation, these intellectual property rights may include one or more of the patents listed at <http://www.axis.com/patent.htm> and one or more additional patents or pending patent applications in the US and other countries.

This product contains source code copyright Apple Computer, Inc., under the terms of Apple Public Source License 2.0 (see <http://www.opensource.apple.com/apsl/>).

The source code is available from:

<http://developer.apple.com/darwin/projects/rendezvous/>

Legal Considerations

Video surveillance can be prohibited by laws that vary from country to country. Check the laws in your local region before using this product for surveillance purposes.


Electromagnetic Compatibility (EMC)

This equipment generates, uses and can radiate radio frequency energy and, if not installed and used in accordance with the instructions, may cause harmful interference to radio communications. However, there is no guarantee that interference will not occur in a particular installation.

If this equipment does cause harmful interference to radio or television reception, which can be determined by turning the equipment off and on, the user is encouraged to try to correct the interference by one or more of the following measures: Re-orient or relocate the receiving antenna. Increase the separation between the equipment and receiver. Connect the equipment to an outlet on a different circuit to the receiver. Consult your dealer or an experienced radio/TV technician for help. Shielded (STP) network cables must be used with this unit to ensure compliance with EMC standards.

USA - This equipment has been tested and found to comply with the limits for a Class B computing device pursuant to Subpart B of Part 15 of FCC rules, which are designed to provide reasonable protection against such interference when operated in a commercial environment. Operation of this equipment in a residential area is likely to cause interference, in which case the user at his/her own expense will be required to take whatever measures may be required to correct the interference.

Canada - This Class B digital apparatus complies with Canadian ICES-003.

Europe -  This digital equipment fulfills the requirements for radiated emission according to limit B of EN55022/1994, and the requirements for immunity according to EN55024/1998 residential, commercial, and industry.

Japan - This is a class B product based on the standard of the Voluntary Control Council for Interference from Information Technology Equipment (VCCI). If this is used near a radio or television receiver in a domestic environment, it may cause radio interference. Install and use the equipment according to the instruction manual.

Australia - This electronic device meets the requirements of the Radio communications (Electromagnetic Compatibility) Standard 1998 AS/NZS 3548.

Liability

Every care has been taken in the preparation of this manual. Please inform your local Axis office of any inaccuracies or omissions. Axis Communications AB cannot be held responsible for any technical or typographical errors and reserves the right to make changes to the product and manuals without prior notice. Axis Communications AB makes no warranty of any kind with regard to the material contained within this document, including, but not limited to, the implied warranties of merchantability and fitness for a particular purpose. Axis Communications AB shall not be liable nor responsible for incidental or consequential damages in connection with the furnishing, performance or use of this material.

Trademark Acknowledgments

Ethernet, Internet Explorer, Linux, Microsoft, Mozilla, OS/2, UNIX, Wfine, Windows, WWW are registered trademarks of the respective holders. Java and all Java-based trademarks and logos are trademarks or registered trademarks of Sun Microsystems, Inc. in the United States and other countries. Axis Communications AB is independent of Sun Microsystems Inc. UPnP™ is a certification mark of the UPnP™ Implementers Corporation.

Support

Should you require any technical assistance, please contact your Axis reseller. If your questions cannot be answered immediately, your reseller will forward your queries through the appropriate channels to ensure a rapid response. If you are connected to the Internet, you can:

- download user documentation and firmware updates
- find answers to resolved problems in the FAQ database. Search by product, category, or phrases
- report problems to Axis support by logging in to your private support area
- visit Axis Support at www.axis.com/techsup/

Safety Notice - Battery Replacement

The AXIS 225FD uses a 3.0V CR2032 Lithium battery as the power supply for its internal real-time clock (RTC). Under normal conditions this battery will last for a minimum of 5 years. Low battery power affects the operation of the RTC, causing it to reset at every power-up. A log message will appear when the battery needs replacing.

The battery should not be replaced unless required!

If the battery does need replacing, please observe the following:

- Danger of Explosion if battery is incorrectly replaced
- Replace only with the same or equivalent battery, as recommended by the manufacturer.
- Dispose of used batteries according to the manufacturer's instructions.

| | |
|---|---------------|
| AXIS 225FD Fixed Dome Network Camera | User's Manual |
| Revision 1.0 | |
| Part No: 25477 | |
| November 2005 | |
| Copyright© Axis Communications AB, 2005 | |

Contents

- Product Features 5
 - Key Features 5
 - Overview 6
- Accessing the Camera 8
 - Access From a Browser 8
 - Setting the Password 9
 - Accessing the camera from the Internet 9
 - Setting the Focus/Zoom 9
 - The Live View Page 10
- Video Streams 11
 - Video Stream Types 11
 - MPEG-4 protocols and communication methods 12
 - How to stream MPEG-4 12
 - The AXIS Media Control 13
 - Other methods of accessing the video stream 13
- Setup Tools 15
 - Accessing the setup tools from a browser 15
- Video and Image Settings 16
 - Image Settings 16
 - Overlay/Mask Settings 17
 - Advanced Settings 18
- Live View Config 20
 - HTML Examples 23
 - External Video 23
 - Sequence Mode 23
- Event Configuration 24
 - Event Servers 24
 - Configuring Event Types 25
 - Motion Detection 27
 - Port Status 28
- System Options 29
 - Security 29
 - Date & Time 31
 - Network - Basic TCP/IP Settings 31
 - Network - Advanced TCP/IP Settings 32

| | |
|---|----|
| Network - SOCKS | 34 |
| Network - SMTP (email)..... | 34 |
| Network - SNMP..... | 34 |
| Network - UPnP™ | 34 |
| Network - RTP (Multicast)/MPEG-4 | 34 |
| Ports & Devices..... | 34 |
| LED Settings | 35 |
| Maintenance..... | 35 |
| Support | 35 |
| Advanced..... | 36 |
| Resetting to the Factory Default Settings | 36 |
| Unit Connectors | 38 |
| I/O Terminal Block | 39 |
| LED indicators: | 40 |
| Power connections..... | 41 |
| Troubleshooting | 43 |
| Technical Specifications..... | 48 |
| General performance considerations | 51 |
| Optimizing your system | 51 |
| Frame rates - Motion JPEG and MPEG-4 | 52 |
| Bandwidth..... | 52 |
| Glossary of Terms | 53 |
| Index | 55 |

Product Features

The AXIS 225FD Fixed Dome Network Camera is a high-performance camera for professional surveillance and remote monitoring. Its discreet, vandal-resistant and outdoor-proof design provides maximum protection at harsh environmental conditions. The built-in heater and fan protect against low temperatures and help prevent the glass from misting over. Supported by the industry's largest base of video management software, the AXIS 225FD provides the perfect solution for securing prisons, schools, car park buildings, railway stations and other facilities over the local area network or across the Internet.

The compact and cost-efficient design enables easy and flexible installation with tamper-proof mounting on wall or ceiling. It allows for versatile adjustment by panning, tilting and rotating the varifocal lens to any camera angle desired.

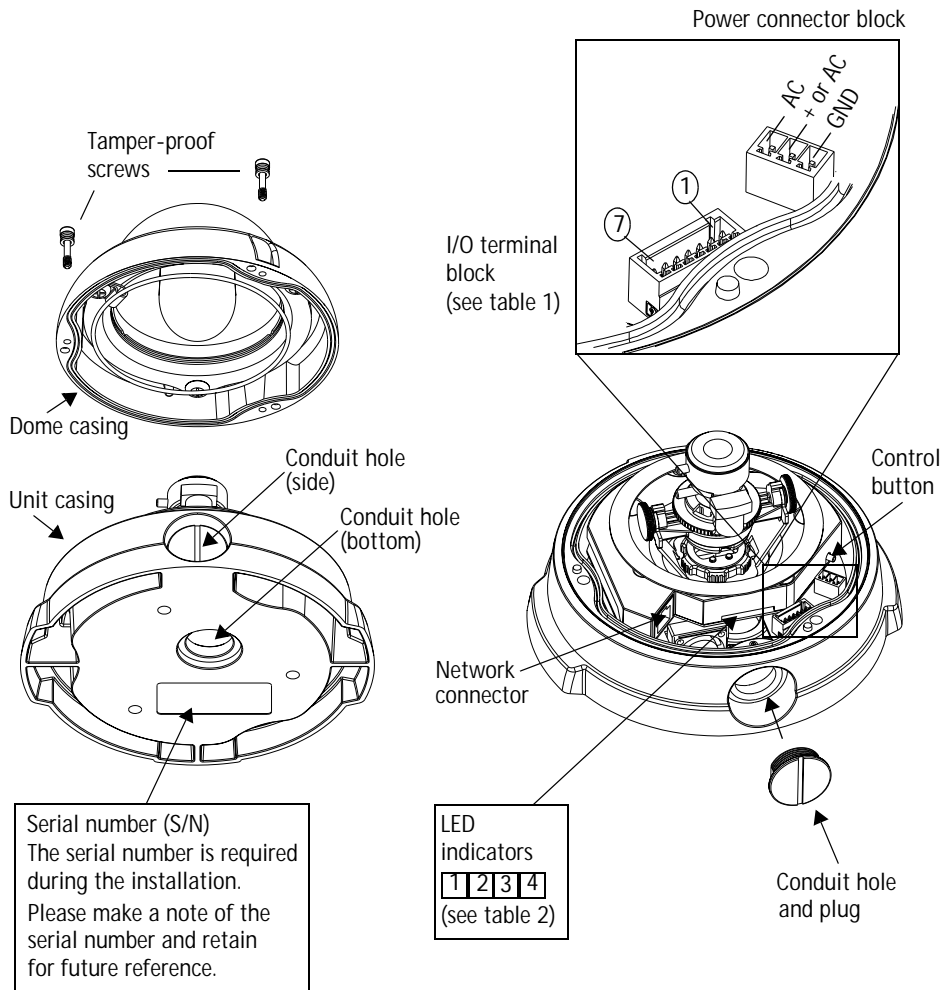
The built-in Power over Ethernet support enables power to the camera to be delivered via the network, eliminating the need for a power outlet and reducing installation costs. In addition, the consolidation of power gives higher reliability if connected to a central Uninterruptible Power Supply (UPS). The AXIS 225FD also offers a comprehensive set of network security features such as multi-level password protection, IP address filtering and HTTPS encryption.

The AXIS 225FD features an automatically removable infrared cut filter, which enables color video in high and low light conditions as well as IR sensitive black/white video at night. Thanks to the high-quality lens, progressive scan CCD sensor, and advanced image processing, this camera delivers crisp, clear images even of objects moving at high speed in the dark.

Key Features

- Vandal-resistant, outdoor-proof design for maximum protection
- Superior image quality with progressive scan and Day/Night function
- Power over Ethernet for reduced cabling and consolidated power
- Simultaneous Motion JPEG and MPEG-4 for optimized quality and bandwidth
- Up to 30 frames per second in VGA 640x480 resolution
- Multi-window motion detection with alarm image buffering

Overview



Power connector block - for connection of a power supply. See *Power connections*, on page 41

I/O terminal connector - The I/O terminal connector provides the physical interface to one solid state relay output, two digital inputs, RS-485/422 and GND. For more information, see *Unit Connectors*, on page 38.

Network connector - The AXIS 225FD connects to the network via a standard network cable, and automatically detects the speed of the local network segment (10BaseT/100BaseTX Ethernet). This socket can also be used to power the AXIS 225FD via PoE (Power over Ethernet). The camera also negotiates the correct power level when using PoE.

Serial Number - This number is used during installation.

Control Button - This button is used during the installation using the **AXIS Internet Dynamic DNS Service** (see the Installation Guide) or to restore the factory default settings, as described in *Advanced*, on page 36.

LED Indicators

After completion of the startup and self test routines, the multi-colored Network, Status, and Power LED indicators flash as follows:

| | | |
|---------|-------|---|
| Network | Green | Steady for connection to 100 Mbit/s network. Flashes for network activity. |
| | Amber | Steady for connection to 10 Mbit/s network. Flashes for network activity. |
| | Red | Flashes rapid red, together with the Status indicator, for hardware error. |
| | Unlit | No connection. |
| Heater | Green | Shows steady green if the connected power supply can deliver the correct voltage for the heater (12V DC min 20W or 24V AC min 25VA). |
| | Red | Shows steady red if the connected power supply cannot deliver the correct voltage. |
| Status | Green | Shows steady green for normal operation. Can be configured to flash green at intervals whenever the camera is accessed. See the online help for more information. |
| | Amber | Shows steady amber during reset to factory default or when restoring settings. |
| | Red | Slow flash for failed upgrade (see <i>Emergency Recovery Procedure</i> , on page 44). Rapid flash, together with the Network indicator, for hardware error. |
| | Unlit | When configured for "no flash" on camera access. |
| Power | Green | Normal operation. |
| | Amber | Flashes green/amber during firmware upgrade. |

Accessing the Camera

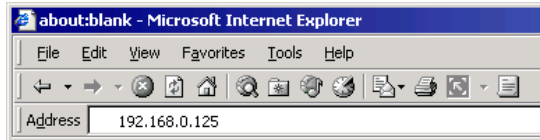
Follow the instructions in the AXIS 225FD Installation Guide to install the camera.

The camera can be accessed with most standard operating systems and browsers. The recommended browser is Internet Explorer with Windows, and Mozilla with other operating systems. See also the *Technical Specifications*, on page 48.

Note: To view streaming video in Microsoft Internet Explorer, you must set your browser to allow the AXIS Media Control (AMC) to be installed on your computer. The first time an MPEG-4 video stream is accessed AMC also installs an MPEG-4 decoder for viewing the video streams. As a license is required for each instance of the decoder, the product administrator may have disabled the installation. See page 23 for more information. If your workstation restricts the use of additional software components, the camera can be configured to use a Java applet for updating JPEG images. See the online help for more information.

Access From a Browser

1. Start a browser (e.g. Internet Explorer, Mozilla)
2. Enter the IP address or host name of the camera in the **Location/Address** field of your browser.
3. If this is the first time the camera is accessed, see *Setting the Password*, on page 9. Otherwise enter your user name and password, as set by the administrator.
4. The camera's **Live View** page is now displayed in your browser.

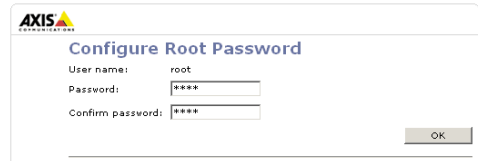


Note: The layout of the live view page in the camera may have been customized to meet specific requirements. Consequently, some of the examples and functions featured here may differ from those displayed on your own Live View page.



Setting the Password

1. When accessing the camera for the first time, the 'Configure Root Password' dialog will be displayed on the screen.
2. Enter a password and then re-enter it, to confirm the spelling. Click OK.
3. The 'Enter Network Password' dialog will appear. Enter the User name: root
 Note: The default administrator user name root is permanent and cannot be deleted or altered.
4. Enter the password as set in step 2 above, and click OK. If the password is lost, the camera must be reset to the factory default settings. See page 36.
5. If required, click Yes to install the AXIS Media Control (AMC). You will need administrator rights on the computer to do this.



Accessing the camera from the Internet

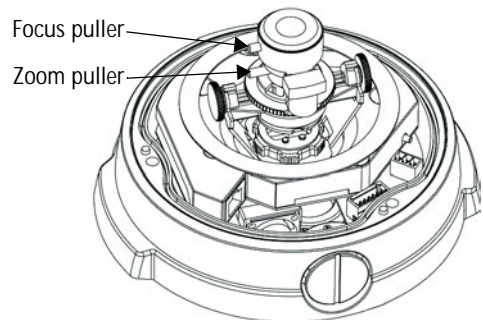
Once installed, the camera is accessible on your local network (LAN). To access the camera from the Internet you must configure your router/firewall to allow incoming data traffic. For security reasons this is usually done on a specific port. Please refer to the documentation for your router/firewall for further instructions.

For more information, please visit the AXIS Internet Dynamic DNS Service at www.axiscam.net or, for Technical notes on this and other topics, visit the Axis Support Web at www.axis.com/techsup

Setting the Focus/Zoom

To focus the AXIS 225FD, follow the instructions below.

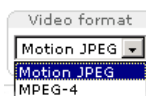
1. From the Basic Configuration page in the setup tools, open the Focus adjustment page.
2. Set the DC-Iris to *Disabled* and click Save.
3. Loosen the zoom puller on the lens by turning it anti-clockwise. Adjust the zoom setting as required. Re-tighten the zoom puller.
4. Loosen the focus puller on the lens. Adjust the focus as required. Re-tighten the focus puller.
5. From the Focus adjustment page, set the DC-Iris to *Enabled* and click Save.



Note: The DC-Iris should always be disabled while focusing the camera. This opens the iris to its maximum, which gives the smallest depth of field and thus the best conditions for correct focusing. When the focus is set with this method it will then be maintained in any light conditions.

The Live View Page

Depending on whether or not the Live View page has been customized, the buttons described below may or may not be visible.



The Video Format drop-down list allows the video format on the Live View page to be temporarily changed.

The **Output** buttons control the output directly from the Live View page. These buttons are configured under **Setup > Live View Config > Layout**.



Pulse - click this button to activate the output for a defined period of time, e.g. to switch on a light for 20 seconds.



Active/Inactive - click these buttons to manually start and stop a connected device, e.g. switch a light on/off.



These buttons start and stop the **Sequence Mode**. This mode is created in **Setup > Live View Config > Sequence mode**, and automatically displays the view from 2 or more video sources at set intervals.



From the **Source** list, select the desired external video source. Note that **Sequence Mode** must be stopped before selecting a source from this list.



The **Trigger** buttons can trigger an event directly from the Live View page. These are configured under **Setup > Live View Config > Layout**.



The **Snapshot** button saves a snapshot of the image currently being displayed. Right-click on the video image to save it in JPEG format on your computer. This button is intended for use when the AMC viewer toolbar is not available.

The **AMC (AXIS Media Control) viewer toolbar** is available in **Microsoft Internet Explorer** only. It displays the following buttons:



Play/Stop button - starts and stops the live video stream.



Snapshot button - saves a snapshot of the video image currently being displayed. The Snapshot function and the target directory for saving snapshots can be configured from the AMC Control Applet in the Windows Control Panel (Internet Explorer only).



View Full Screen button - makes the image fill the entire screen area. No other windows will be visible. Press **Esc (Escape)** on the keyboard to exit full screen.

Video Streams

The AXIS 225FD provides several different image and video formats. The type to use depends on your requirements and on the properties of your network.

The Live View page in the AXIS 225FD provides access to Motion JPEG and MPEG-4 video streams, as well as to single JPEG images. Other applications and clients can also access these video streams/images directly, without going via the Live View page.

Video Stream Types

Motion JPEG

This format uses standard JPEG still images in the video stream. These images are then displayed and updated at a rate sufficient to create a stream that shows constantly updated motion.

The Motion JPEG stream uses considerable amounts of bandwidth, but also provides excellent image quality and access to each and every individual image contained in the stream.

Note also that multiple clients accessing Motion JPEG streams can use different image settings.

MPEG-4

This is a video compression standard that makes good use of bandwidth, and which can provide high-quality video streams at less than 1 Mbit/s.

The MPEG-4 standard provides scope for a large range of different coding tools for use by various applications in different situations, and the AXIS 225FD provides certain subsets of these tools. These are represented as **Video object types**, which are selected for use with different viewing clients. The supported video object types are:

- **Simple** - sets the coding type to H.263, as used by e.g. QuickTime™.
- **Advanced Simple** - sets the coding type to MPEG-4 Part 2, as used by AMC (AXIS Media Control)

When using MPEG-4 it is also possible to control the bit rate, which in turn allows the amount of bandwidth usage to be controlled. CBR (constant bit rate) is used to achieve a specific bit rate by varying the quality of the MPEG-4 stream. When using VBR (variable bit rate), the quality of the video stream is kept as constant as possible, at the cost of a varying bit rate.

- Notes:**
- MPEG-4 is licensed technology. The AXIS 225FD includes one viewing client license. Installing additional unlicensed copies of the viewing client is prohibited. To purchase additional licenses, contact your Axis reseller.
 - All clients viewing the MPEG-4 stream must use the same set of coding tools.

MPEG-4 protocols and communication methods

To deliver live streaming video over IP networks, various combinations of transport protocols and broadcast methods are employed.

- RTP (Realtime Transport Protocol) is a protocol that allows programs to manage the real-time transmission of multimedia data, via unicast or multicast.
- RTSP (Real Time Streaming Protocol) serves as a control protocol, to negotiate which transport protocol to use for the stream. RTSP is thus used by a viewing client to start a unicast session, see below.
- UDP (User Datagram Protocol) is a communications protocol that offers limited service for exchanging data in a network that uses the Internet Protocol (IP). UDP is an alternative to the Transmission Control Protocol (TCP). The advantage of UDP is that it is not required to deliver all data and may drop network packets when there is e.g. network congestion. This is suitable for live video, as there is no point in re-transmitting old information that will not be displayed anyway.
- Unicasting is communication between a single sender and a single receiver over a network. This means that the video stream goes independently to each user, and each user gets their own stream. A benefit of unicasting is that if one stream fails, it only affects one user.
- Multicast is bandwidth-conserving technology that reduces bandwidth usage by simultaneously delivering a single stream of information to multiple network recipients. This technology is used primarily on delimited networks (intranets), as each user needs an uninterrupted data flow and should not rely on network routers.

How to stream MPEG-4

Deciding on the combination of protocols and methods to use depends on your viewing requirements, and on the properties of your network. Setting the preferred method(s) is done in the control applet for AMC, which is found in the Windows Control Panel. When this has been set, AMC will test all the selected methods in the specified order, until the first functioning one is found.

RTP+RTSP

This method (actually RTP over UDP and RTSP over TCP) should be your first consideration for live video, especially when it is important to always have an up-to-date video stream, even if some images do get dropped. This can be configured as multicast or unicast.

Multicasting provides the most efficient usage of bandwidth, especially when there are large numbers of clients viewing simultaneously. Note however, that a multicast broadcast cannot pass a network router unless the router is configured to allow this. It is thus not possible to multicast over e.g. the Internet.

Unicasting should be used for video-on-demand broadcasting, so that there is no video traffic on the network until a client connects and requests the stream. However, as more and more unicast clients connect, the traffic on the network will increase and may cause congestion. Although there is a maximum of 20 unicast viewers, note that all multicast users combined count as 1 unicast viewer.

RTP/RTSP

This unicast method is RTP tunneled over RTSP. This can be used to exploit the fact that it is relatively simple to configure firewalls to allow RTSP traffic.

RTP/RTSP/HTTP or RTP/RTSP/HTTPS

These two methods can also be used to traverse firewalls. Firewalls are commonly configured to allow the HTTP protocol, thus allowing RTP to be tunneled.

The AXIS Media Control

The recommended method of accessing live video (MPEG-4 and/or Motion JPEG) from the AXIS 225FD is to use the AXIS Media Control (AMC) in Microsoft Internet Explorer in Windows. This ActiveX component is automatically installed on first use, after which it can be configured by opening the AMC Control Panel applet from the Windows Control Panel. Alternatively, right-click the video image in Internet Explorer.

Other methods of accessing the video stream

Video/images from the AXIS 225FD can also be accessed in the following ways:

- If supported by the client, the AXIS 225FD can use Motion JPEG server push to display video. This option maintains an open HTTP connection to the browser and sends data as and when required, for as long as required.
- As single JPEG images in a browser. Enter e.g. the path:
<http://<ip>/axis-cgi/jpg/image.cgi?resolution=320x240>
- Windows Media Player. This requires AMC and the MPEG-4 decoder to be installed. The paths that can be used are listed below in the order of preference.
 - Unicast via RTP: <axrtpu://<ip>/mpeg4/media.amp>
 - Unicast via RTSP: <axrtsp://<ip>/mpeg4/media.amp>
 - Unicast via RTSP, tunneled via HTTP: <axrtshttp://<ip>/mpeg4/media.amp>
 - Unicast via RTSP, tunneled via HTTPS: <axrtshttps://<ip>/mpeg4/media.amp>
 - Multicast: <axrtpm://<ip>/mpeg4/media.amp>

Note: <ip> = IP address.

Other MPEG-4 clients

Although it may be possible to use other clients to view the MPEG-4 stream, this is not guaranteed by Axis.

For some other clients, e.g. QuickTime™ the Video Object Type must be set to *Simple*. It may also be necessary to adjust the advanced MPEG-4 settings.

To assess the video stream from e.g. QuickTime™ the following path can be used:

```
rtsp://<ip>/mpeg4/media.amp
```

This path is for all supported methods, and the client will negotiate with the AXIS 225FD to determine exactly which transport protocol to use.

Note: <ip> = IP address.

Setup Tools

The AXIS 225FD is configured from the setup tools, which are available from the link in the web interface. The setup tools can be used by:

- administrators, who have unrestricted access to all the Setup tools
- operators, who have access to the Video & Image, Live View Config and Event Configuration settings.

Accessing the setup tools from a browser


Follow the instructions below to access the Setup Tools from a browser.

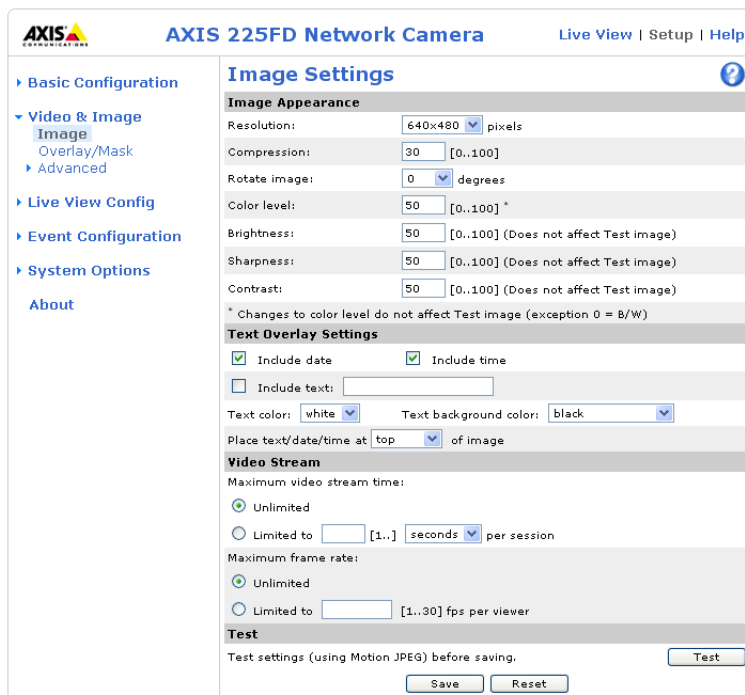
1. Start your browser and enter the IP address or host name of the camera in the location/address field.
2. The Live View page is now displayed. Click Setup to display the Setup tools.



The image shows the web interface for the AXIS 225FD Network Camera. At the top, there is a navigation bar with the AXIS logo on the left, the title 'AXIS 225FD Network Camera' in the center, and links for 'Live View | Setup | Help' on the right. A box labeled 'Setup tools' with an arrow points to the 'Setup' link. On the left side, there is a sidebar menu with the following items: 'Basic Configuration' (expanded), 'Instructions', '1. Users', '2. TCP/IP', '3. Date & Time', '4. Video & Image', 'Video & Image', 'Live View Config', 'Event Configuration', 'System Options', and 'About'. The main content area is titled 'Basic Configuration' and contains the following text: 'Before using the AXIS 225FD Network Camera, there are certain settings that should be made, most of which require Administrator access privileges. To quickly access these settings, use the numbered shortcuts to the left. All the settings are also available from the standard setup links in the menu. Note that the only required setting is the IP address, which is set on the TCP/IP page. All other settings are optional. Please see the online help for more information.' Below this text, it says 'Firmware version: 4.30'.

Video and Image Settings

The following descriptions show examples of some of the features available in the AXIS 225FD. For details of each setting, please refer to the online help available from the setup tools. Click  to access the online help.



AXIS 225FD Network Camera Live View | Setup | Help

- Basic Configuration
- Video & Image
 - Image
 - Overlay/Mask
 - Advanced
- Live View Config
- Event Configuration
- System Options
- About

Image Settings

Image Appearance

Resolution: 640x480 pixels

Compression: 30 [0..100]

Rotate image: 0 degrees

Color level: 50 [0..100] *

Brightness: 50 [0..100] (Does not affect Test image)

Sharpness: 50 [0..100] (Does not affect Test image)

Contrast: 50 [0..100] (Does not affect Test image)

* Changes to color level do not affect Test image (exception 0 = B/W)

Text Overlay Settings

Include date Include time

Include text:

Text color: white Text background color: black

Place text/date/time at top of image

Video Stream

Maximum video stream time:

Unlimited

Limited to [1..] seconds per session

Maximum frame rate:

Unlimited

Limited to [1..30] fps per viewer

Test

Test settings (using Motion JPEG) before saving.

Image Settings

Image Appearance

Adjust these settings to optimize the video images according to your requirements.

All configuration of images and overlays will affect the camera's overall performance, depending on how it is used and on the available bandwidth. Lower compression improves video image quality, but increases the bandwidth.

The video image can be rotated and fine-tuned by adjusting the color level, the brightness, sharpness and the contrast. Please see the online help for further information on these settings.

Changed video image settings have immediate effect on the MPEG-4 stream, but the Motion JPEG stream will have to be started (or restarted) before the settings take effect.

Video Stream

Define the maximum **video stream time** per session in seconds, minutes or hours. When the set time has expired, a new stream can be started by refreshing the page in the Web browser. For unlimited video stream time, set this value to 0. This setting is only applicable to Motion JPEG.

The **frame rate** allowed to each viewer can also be limited, to avoid bandwidth problems on the network.

Test

To preview the image before saving, click Test. Note that the preview image will be in JPEG format, even though the settings are valid both for Motion JPEG and MPEG-4.

Overlay/Mask Settings

Text Overlay

These settings enable you to place text at the top or bottom of an image, e.g. date, time or some other text.

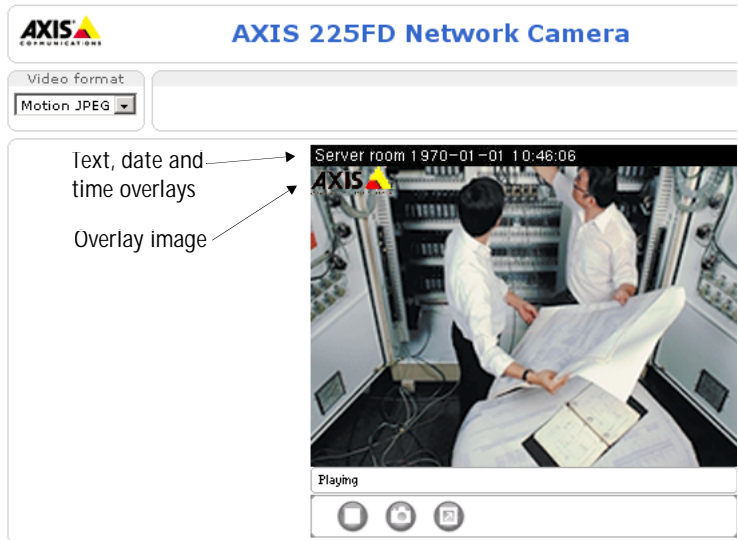
Overlay/Mask Type

When using an image overlay, select from the following options the type to use:

- Uploaded image as overlay - usually used to provide extra information in the video image.
- Uploaded image as privacy mask - conceals part of the video image.
- Configurable areas as privacy masks - up to 3 black areas are used to conceal parts of the video image.

The difference between an overlay and a privacy mask is that a privacy mask cannot be bypassed by accessing the video stream with the help of the AXIS HTTP API, whereas an overlay can.

Selecting the overlay/mask type will display further settings available for the selected type. See the online help for further information.



Upload and use an overlay/mask

To upload an overlay image/privacy mask to the camera:

1. Select the type of overlay to use in **Overlay/Mask Type**.
2. In the field **Upload own image**, click the **Browse** button and locate the image file on your computer or server.
3. Click the **Upload** button and follow the on-screen instructions.

To use an already uploaded image:

1. Select an uploaded image from the **Use image** drop-down list.
2. Place the image at the required location by entering the x and y coordinates.
3. Click **Save**.

Overlay image/privacy mask requirements

| Image Formats | Image Size |
|--|---|
| <ul style="list-style-type: none"> • Windows 24-bit BMP (full color) • Windows 4-bit BMP (16 colors) | The height and width of the overlay image in pixels must be exactly divisible by 4. |

There are a number of limitations when using overlay images and privacy masks, such as the size and positioning of images/masks. Please refer to the online help for more information.

Advanced Settings

These web pages include different settings for fine-tuning the video image.

Camera Settings

AXIS 225FD Network Camera [Live View](#) | [Setup](#) | [Help](#)

Camera Settings ?

Lighting Conditions

White balance: ▼

Exposure control: ▼

Exposure area: ▼

Use backlight compensation

Low Light Behavior

Priority: ▼

Max exposure time: ▼ s

Max gain: ▼ dB

View Image Settings

View image **after** saving.

To compensate for the **lighting conditions**, the **white balance**, the **exposure control**, the **exposure area** and the **IR cut filter** can all be adjusted. **DC-Iris** should always be enabled, except when focusing, or when using a non-DC-Iris lens.

The settings for **low light behavior** determine how the camera will behave at low light levels. These settings all affect video image quality and are basically a measure of how much noise to allow in the video images.

Please see the online help for further information on these settings. [?](#)

MPEG-4 Settings

These are the tools for adjusting the MPEG-4 settings and controlling the video bit rate.

The screenshot shows the web interface for the AXIS 225FD Network Camera. The main title is "AXIS 225FD Network Camera" with "Live View | Setup | Help" links. A navigation menu on the left includes "Basic Configuration", "Video & Image" (with sub-items: Image, Overlay/Mask, Advanced Camera, and MPEG-4), "Live View Config", "Event Configuration", "System Options", and "About". The "MPEG-4 Settings" page is active, featuring a help icon. The settings are organized into several sections:

- Client Compatibility:** Video object type is set to "Advanced Simple". There is an unchecked checkbox for "ISMA compliant".
- GOV Settings:** Structure is set to "IP". Length is set to "8" with a range of "[1-150]".
- Bit Rate Control:** Maximum bit rate is set to "Unlimited" (selected with a radio button). Other options include "Limited to" (with an empty input field) and "kbit/s". Under "Use:", "Variable bit rate" is selected (radio button), with "Constant bit rate" as an alternative. Target bit rate is an empty input field followed by "kbit/s". Priority is set to "None" (dropdown menu).
- View Image Settings:** A note says "View image after saving." and a "View" button is present.

At the bottom of the settings area, there are "Save" and "Reset" buttons.

The MPEG-4 standard provides many different coding tools for various applications in different situations. As most MPEG-4 clients do not support all of these tools, it is usual to instead define and use subsets for different clients or groups of clients. These settings allow you to define the type of viewing client to use.

Adjusting the maximum bit rate and setting it to variable or constant is a good way of controlling the bandwidth used by the MPEG-4 video stream.

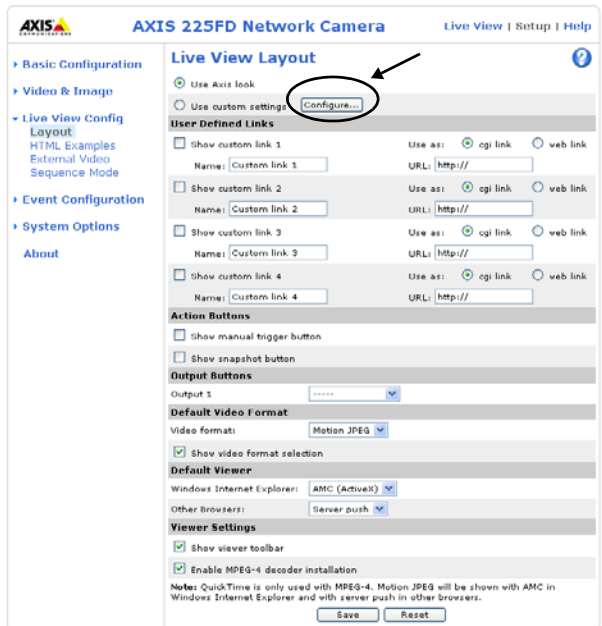
For more information on these advanced settings, please see the online help, and *Video Stream Types*, on page 11.

Live View Config

These are the tools for deciding the layout of the camera's Live View page. The layout can be set in 3 ways:

- Use Axis look - the layout is unchanged.
- Use custom settings - modify the default Live View page with your own colors, images etc. Click the Configure button and see below.
- Own Home Page - Use your own custom page as the default web page. Click the Configure button and see the following page.

The other settings on this page concern which other features to include, e.g. buttons and links. See page 21 for more information.

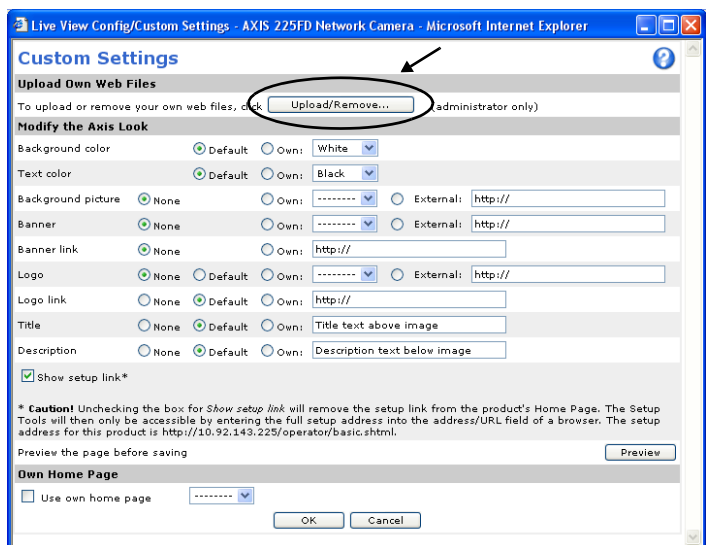


Use custom settings

Adjust the settings under Modify the Axis look, to change the background picture, colors, etc.

To use your own file for e.g. a banner, first upload it (see the following page) or select External and enter the path to the file.

Note that unchecking the box for Show setup link will remove the setup link from the camera's Home Page. The setup tools will then only be accessible by entering the full setup address into the address/URL field of a browser, i.e.



`http://<ip address>/operator/basic.shtml`

Upload Own Web Files

Your own background pictures, banners and logos can either be located externally on e.g. a network server, or they can be uploaded to the AXIS 225FD itself. Once uploaded, files are shown in the drop-down lists for Own (file). Follow these instructions to upload a file.

1. Click the **Upload/Remove** button in the Custom settings dialog.
2. Enter the path to the file, e.g. a file located on your computer or click the **Browse** button.
3. Select the user level for the uploaded file. Setting the user access level means that you have complete control over which pages can be viewed by which users.
4. When the path is shown correctly in the text field, click the **Upload** button.

All uploaded files are shown in the list in the lower section of this dialog. To remove a file, check the box provided next to it and then click the **Remove** button.

Own home page

From Live View Layout, select the radio button **Use custom settings** and click **Configure**.

Check the box **Use own home page** at the bottom of this dialog. To use a previously uploaded web page (see above) as the default home page, select the page from the drop-down list and click **OK**.

User-defined Links

Enter a descriptive name and enter the URL in the provided field.

Example

1. Check **Show Custom Link 1**
2. Enter a descriptive name, e.g. **My Website**
3. Check the radio button for **web link**.
4. Enter the web link: e.g.
`http://www.example.com`
5. Click **Save**.

This link will then be shown on the Live View page and will open the specified website.

User-defined CGI links can be used to issue advanced commands via the Axis HTTP API. For more information, see the Developer pages at www.axis.com/developer



My Website

User-defined link

Action Buttons

The **manual trigger** buttons can be used to manually trigger and stop an event from the Live View page. See *Event Configuration*, on page 24.

Enabling the display of the **Snapshot** button allows users to save a snapshot from the video stream by clicking this button. This button is mainly intended for use with browsers other than Internet Explorer, or when otherwise not using ActiveX to view the video stream. The ActiveX viewing component (AXIS Media Control) for Internet Explorer provides its own snapshot button.

Output Buttons

These buttons can then be used to manually activate the output from the Live View page, e.g. to switch a light on and off. There are 2 options for how the output is activated:

- The Pulse button activates the output for a defined period
- Active/Inactive displays 2 buttons, one for each action (on/off)

Default Video Format

Select the default format to use on the Live View page. Checking the box for **Show video format selection** displays a drop-down list on the Live View page allowing you to temporarily change the format.

Note: It is also possible to view Motion JPEG when MPEG-4 is chosen as default and vice versa.

Default Viewer

When using Microsoft Internet Explorer (IE) in Windows, select your preferred method of viewing moving images. The options are:

- **AMC(ActiveX)**- This is the best choice for fast image updating in Internet Explorer, but might not be possible on computers that have restriction on the installation of additional software.
- **QuickTime** - For use with MPEG-4 only, select this to use the QuickTime plug-in for Microsoft Internet Explorer.
- **Java applet** - This alternative uses a Java applet to update the images in the browser.
- **Still Image** - Displays still images only. Hit the Refresh button in your browser to view a new image.

When using any other browser than Internet Explorer, select the appropriate radio button to define your preferred method of viewing images. The available options are similar to Internet Explorer except for Server Push. With this method, the camera maintains and controls an open HTTP connection to the browser and sends data as and when required for as long as required.

Please see the online help [for more information.](#)

Viewer settings

Checking the **Show viewer toolbar** displays the viewer toolbar under the video stream in your browser. By checking the **Enable MPEG-4 decoder installation** box, it is also possible for the Administrator to enable or disable the installation of the MPEG-4 decoder. This is used to prevent the installation of unlicensed copies. Further decoder licenses can be purchased from your Axis dealer.

HTML Examples

You can add live video from the camera to your own web site. The camera can transmit a Motion JPEG or unicast MPEG-4 stream to up to 20 simultaneous connections, although an administrator can restrict this to fewer. If multicast MPEG-4 is used, the video stream will be available to an unlimited number of viewers connected to the parts of the network where multicast is enabled. Please note that a separate MPEG-4 license is required for each viewer.

Enter the **Video Format**, **Image Type**, **Image size** and other settings to suit your Web page and click **Update**. The camera then generates the required source code for your configuration. Copy this code and paste it into your own Web page code.

External Video

The camera can also display video images from other Axis network cameras and video servers, directly on the Live View page. These are known as **External Video** sources. These external video sources are available from the drop-down list on the Live View page.

Click the **Add** button to open the External Video Source Setup dialog, which is used to make all the necessary settings. Enter the IP address or host name of the external video source you wish to add. Depending on the external source, then select either MPEG-2, MPEG-4 or Motion JPEG as the type of video stream to receive.

Example of a path to an external video source:

```
http://192.168.0.125/axis-cgi/mjpeg/video.cgi
```

Sequence Mode

The Live View page can be configured to cycle through the internal and selected external video sources, in order, or randomly.

Select the desired video sources and enter the time in seconds to display each source (up to 59 minutes). Click **Save**.

The Sequence buttons that appear on the Live View page are used to start and stop the sequence mode.



Please see the online help for more information.

Event Configuration

An event in the camera is when an **Event Type** is activated and causes certain actions to be performed. The event type is the set of parameters (or conditions) that specifies how and when which actions will be performed. A common event type is when the camera uploads images when an alarm occurs. Many event types use an **Event Server**, to e.g. upload images to.

This section describes how to set up event servers and event types, i.e. how to configure the camera to perform certain actions when events (e.g. alarms) occur.

Definitions

| | |
|-------------------------------|--|
| Event type | A set of parameters describing how and when the camera will perform certain actions |
| Triggered Event - see page 25 | An event that is started by some sort of signal, e.g. from an external device, such as a door switch, motion detection, system event, etc. |
| Scheduled Event - see page 26 | Pre-programmed time period(s) during which an event will run. |
| Action | That which occurs when the event runs, e.g. the upload of images to an FTP server, email notification, etc. |

Event Servers

Event Servers are used to receive e.g. uploaded image files and/or notification messages. To set up Event server connections in your camera, go to **Setup > Event Configuration > Event Servers** and enter the required information for the required server type.

| Server type | Purpose | Information required |
|-------------|--|---|
| FTP Server | <ul style="list-style-type: none"> Receives uploaded images | <ul style="list-style-type: none"> Descriptive name of your choice Network address (IP address or host name) User name and password (for FTP server) Upload path e.g. images/ Port number Use passive mode if there is a firewall between the camera and FTP server |
| HTTP Server | <ul style="list-style-type: none"> Receives notification messages Receives uploaded images | <ul style="list-style-type: none"> Descriptive name of your choice URL (IP address or host name) User name and password (for HTTP server) Proxy address/Proxy port (if required) Proxy User name and password (if required) |
| TCP Server | <ul style="list-style-type: none"> Receives notification messages | <ul style="list-style-type: none"> Descriptive name of your choice Network address (IP address or host name) User name and password (for TCP server) Port number |

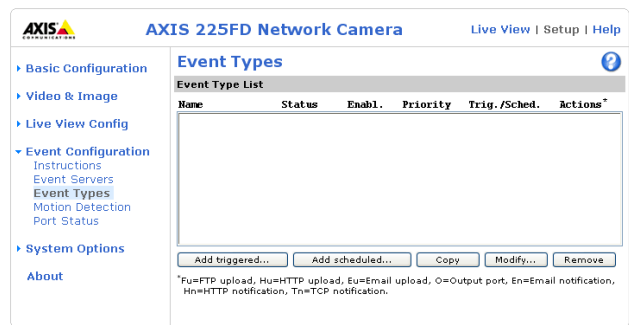
For details on each setting, please see the online help available from each web page.

When the setup is complete, the connection can be tested by clicking the **Test** button (the connection test takes approximately 10 seconds).

Configuring Event Types

An Event Type describes how and when the camera will perform certain actions.

Example: If somebody passes in front of the camera, and an event that uses motion detection has been configured to act on this, the camera can e.g. record and save images to an FTP server, and/or send a notification email to a pre-configured email address with a pre-configured message. Images can be sent as email attachments.



Triggered Event

A Triggered event can be activated by e.g:

- a switch (e.g. a push button) connected to the camera's input port
- detected movement in a configured motion detection window
- a manually activated action, e.g. from an action button in the web interface
- on restart (reboot) after e.g. power loss
- a temperature warning

How to set up a triggered event

This example describes how to set the camera to upload images when e.g the main door is opened:

1. Click **Add triggered** on the **Event types** page.
2. Enter a descriptive name for the event, e.g. Main door open.
3. Set the **priority** - High, Normal or Low (see the online help).
4. Set the **Respond to Trigger...** parameters for when the event will be active, e.g. only after office hours.
5. Select the trigger alternative from the **Triggered by...** drop-down list, e.g. select **Input ports**, for the sensor connected to the door.
6. Set the **When Triggered...** parameters, i.e. define what the camera will do if the main door is opened e.g., upload images to an FTP server.
7. Click **OK** to save the Event in the Event Types list.

Please see the online help for descriptions of each available option.

Note: Up to 10 event types can be configured in the camera, and up to 3 of these can be configured to upload images.

Pre-trigger and Post-trigger buffers

This function is very useful when checking to see what happened immediately before and/or after a trigger, e.g. up to 30 seconds before and/or after a door was opened. Check the **Upload images** checkbox under **Event Types > Add Triggered... > Triggered by...** to expand the web page with the available options. All uploaded images are JPEG images.

Include pre-trigger buffer - images stored internally in the camera from the time immediately preceding the trigger. Check the box to enable the pre-trigger buffer, enter the desired length of time and specify the required image frequency.

Include post-trigger buffer - contains images from the time immediately after the trigger. Configure as for pre-trigger.

Notes:

- Pre-trigger and Post-trigger buffers will be lost if the connection to the event server fails.
- The maximum length of the pre-/post-buffer depends on the video image size and selected frame rate.
- If the pre- or post-buffer is too large for the camera's internal memory, the frame rate will be reduced and individual images may be missing. If this occurs, an entry will be created in the unit's log file.

Continue image upload (unbuffered) - enables the upload of video images for a fixed length of time. Specify the length of time for the uploaded recording, in seconds, minutes or hours, or for as long as the trigger is active. Finally, set the desired image frequency to the maximum (the maximum available) or to a specified frame rate. The frame rate will be the best possible, but might not be as high as specified, especially if uploading via a slow connection.

Scheduled Event

A **Scheduled event** can be activated at preset times, in a repeating pattern on selected weekdays.

Configuration example:

1. Click **Add scheduled** on the **Event types** page.
2. Enter a descriptive name for the event, e.g. "Scheduled email upload."
3. Set the **priority** (High, Normal or Low).
4. Set the **Activation Time** parameters (24h clock) when the event will be active, e.g. start on Sundays at 13.00 with a duration of 12 hours.
5. Set the **When Activated...** parameters, i.e. set what the camera will do at the specified time, e.g. send uploaded images to an email address.
6. Click **OK** to save the Event in the Event Types list.

Please see the online help for descriptions of each available option.

Motion Detection

Motion detection is used to generate an alarm whenever movement occurs (or stops) in the video image. A total of 10 Include and/or Exclude windows can be configured.

- **Included windows** target specific areas within the whole video image
- **Excluded windows** define areas within an Include window that should be ignored (areas outside Include windows are automatically ignored)

Once configured, the motion detection windows will appear in the list of available triggers, for triggering events. See *How to set up a triggered event* above.

Note: Using the motion detection feature may decrease the camera's overall performance.

Configuring Motion Detection

1. Click Motion Detection in the Event Configuration menu.
2. Click the Configure Included Window radio button.
3. Click New.
4. Enter a descriptive name under **Window name**.
5. Adjust the size (drag the bottom right-hand corner) and position (click on the text at the top and drag to the desired position).
6. Adjust the Object size, History and Sensitivity profile sliders (see table below for details). Any detected motion within an active window is then indicated by red peaks in the **Activity** window (the active window has a red frame).
7. Click Save.

To exclude parts of the Include window, click the Configure Excluded Windows button and position the Exclude window as required, within the Include window.

Please see the online help for descriptions of each available option.

| | Object Size | History | Sensitivity |
|---------------|--|---|--|
| High level | Only very large objects trigger motion detection | An object that appears in the region will trigger the motion detection for a long period | Ordinary colored objects on ordinary backgrounds will trigger the motion detection |
| Low level | Even very small objects trigger motion detection | An object that appears in the region will trigger motion detection for only a very short period | Only very bright objects on a dark background will trigger motion detection |
| Default value | Low | Medium to High | Medium to High |

Examples:

- Avoid triggering on small objects in the image by selecting a high object size level.
- To trigger motion detection as long as there is activity in the area, select a high history level.
- To only detect flashing light, low sensitivity can be selected. In other cases, a high level is recommended.

Port Status

Under **Event Configuration > Port Status** there is a list showing the status for the camera's input and output. This is for the benefit of **Operators**, who cannot access the **System Options** section.

Example: If the Normal state for a door push button connected to an input is set to **Open circuit** - as long as the button is not pushed, the state will be **inactive**. If the doorbell button is pushed, the state of the input changes to **active**.

System Options

Security

User access control is enabled by default, when the administrator sets the root password on first access. An administrator can set up other users, by giving these user names and passwords. It is also possible to allow anonymous viewer login, which means that anybody may access the Live View page, as described below:

Users - the user list displays the authorized users and user groups (levels):

| | |
|---------------|---|
| Viewer | Provides the lowest level of access, which only allows access to the Live View page. |
| Operator | An operator can view the Live View page, create and modify event types and adjust certain other settings. Operators have no access to the System Options. |
| Administrator | An administrator has unrestricted access to all the setup tools and can determine the registration of all other users. |

User Settings - check the relevant checkboxes to enable:

- **Anonymous viewer login** - allows any viewer direct access to the Live View page.
- **Maximum number of simultaneous viewers** - enter a value here to restrict the number of unicast viewers accessing the unit. This is useful if you need to save on bandwidth. (Note that all multicast viewers count as 1 viewer.)

IP Address Filtering

Checking the **Enable IP address filtering** box enables the IP address filtering function. Up to 256 IP address entries may be specified (a single entry can contain multiple IP addresses). Click the **Add** button to add new filtered addresses.

When the IP address filter is enabled, addresses added to the list are set as allowed or denied addresses. All other IP addresses not in this list will then be allowed or denied access accordingly, i.e. if the addresses in the list are allowed, then all others are denied access, and vice versa. See also the online help for more information.

Note that users from IP addresses that will be allowed must also be registered as users, which is done from **Setup > Security > Users**.

Referrals

To prevent unauthorized clients from including the video stream from the camera into external Web pages, check the Referrals checkbox and enter the IP address or host name of the computer that hosts the web pages with the included video stream. Several IP addresses/host names can be defined and are separated by semicolons (:)


- Notes:**
- If the referrals feature is enabled and you wish to also allow normal access to the Live View page, the product's own IP address or host name must be added to the list of allowed referrers.
 - Restricting referrers has no effect on an MPEG-4 video stream. To restrict an MPEG-4 stream, IP address filtering must be enabled.
 - Restricting referrers is of greatest value when not using IP address filtering. If IP address filtering is used, then the allowed referrers are automatically restricted to those allowed IP addresses.

HTTPS

The AXIS 225FD supports encrypted browsing using HTTPS.

A self-signed certificate can be used until a Certificate Authority-issued certificate has been obtained. Click the **Create self-signed Certificate** button to install a self-signed certificate. Although self-signed certificates are free and offer some protection, true security will only be implemented after the installation of a signed certificate issued by a certificate authority.

A signed certificate can be obtained from an issuing Certificate Authority by clicking the **Create Certificate Request** button. When the signed certificate is returned, click the **Install signed certificate** button to import the certificate. The properties of any certificate request currently resident in the camera or installed can also be viewed by clicking the **Properties...** button. The HTTPS Connection Policy must also be set in the drop-down lists to enable HTTPS in the camera.

For more information, please refer to the online help. 

Date & Time

Current Server Time - displays the current date and time (24h clock). The time can be displayed in 12h clock format in the Overlay Images (see below).

New Server Time - Select your time zone from the drop-down list. If you want the AXIS 225FD clock to automatically adjust for daylight savings time, select the **Automatically adjust for daylight saving time changes**.

From the **Time Mode** section, select the preferred method to use for setting the time:

- **Synchronize with computer time** - sets the time from the clock on your computer.
- **Synchronize with NTP Server** - the camera will obtain the time from an NTP server every 60 minutes. Specify the NTP server's IP address or host name.
- **Set manually** - this option allows you to manually set the time and date.

Note: Note that if using a host name for the NTP server, a DNS server must be configured under TCP/IP settings. See [Network > TCP/IP](#) below.

Date & Time Format Used in Images - specify the formats for the date and time (12h or 24h) displayed in the Live View video streams.

Use the predefined formats or use your own custom date and time formats. See **Advanced File Naming & Date/Time Formats** in the online help for information on how to create your own file formats.

Network - Basic TCP/IP Settings

IP Address Configuration

The camera's IP address can be set automatically via DHCP, or a fixed IP address can be set manually. A host name can be used and there are options for setting up notification of changes in the IP address. DHCP is enabled by default.

- Notes:**
- DHCP is a protocol for automatic IP address assignment on a network. IP address assignment via DHCP may lead to the situation where the IP address changes and you thus lose contact with the unit. To prevent this, configure the options for notification of IP address change (under Services) to receive notification whenever the IP address for the camera changes.
 - Alternatively, if your DHCP server can update a DNS server, you can access the camera by a host name, which is always the same, regardless of the IP address.

Services

Options for notification of IP address change - If the IP Address for the camera is changed automatically, e.g. by DHCP, you can choose to be notified of the change. Click **Settings...** and enter the required information.

AXIS Internet Dynamic DNS Service - The AXIS Internet Dynamic DNS Service can provide your Axis product with its own URL (web address), which can then be used to access it over the Internet. The product can be unregistered from the service at any time. To do this click Settings... and follow the instructions. For more information, please refer to the online help.

Network - Advanced TCP/IP Settings

DNS Configuration

The Domain Name Service (DNS) provides the translation of host names to IP addresses on your network.

Obtain DNS server address via DHCP - automatically use the DNS server settings provided by the DHCP server. Click the **View** button to see the current settings.

Use the following DNS server address - enter the desired DNS server by specifying the following:

Domain name - enter the domain(s) to search for the host name used by the camera. Multiple domains can be separated by semicolons (;). The host name is always the first part of a Fully Qualified Domain Name, e.g. `myserver` is the host name in the Fully Qualified Domain Name `myserver.mycompany.com` where `mycompany.com` is the Domain name.

DNS servers - enter the IP addresses of the primary and secondary DNS servers.

Host Name Configuration

The camera can be accessed using a host name instead of an IP address. The host name is usually the same as the assigned DNS Name. It is always the first part of a Fully Qualified Domain Name and is always one word, with no period. For example, `myserver` is the host name in the Fully Qualified Domain Name `myserver.mycompany.com`.

Enable dynamic DNS updates - The camera includes support for dynamically updating local DNS servers whenever the product's IP address changes. Check this box to enable the function.

Note: Note that these settings concern the use of local DNS servers and should not be confused with the settings for the AXIS Internet Dynamic DNS Service.

Register DNS name - The name entered here will be associated with the camera's IP address in the DNS server. An example of a DNS name is `Axisproduct.example.com`

TTL (Time To Live) - This value determines how long (in seconds) the reply from the DNS server should be remembered by clients when they check that the domain name for the registered IP address is still valid. This reduces the number of times the client needs to query the DNS server, which in turn reduces network usage.

Link-Local Address

Auto-Configure Link-Local Address is enabled by default and assigns the camera an additional IP address for use with the UPnP protocol. The camera can have both a Link-Local IP and a static/DHCP-supplied IP address at the same time - these will not affect each other. See *Network - UPnP™*, on page 34.

HTTP

The default HTTP port number (**80**) can be changed to any port within the range 1024-65535. This is useful for e.g. simple port mapping.

HTTPS

The default HTTPS port number (**443**) can be changed to any port within the range 1024-65535. HTTPS is used to provide encrypted web browsing.

NAT Traversal

Use NAT traversal when your AXIS 225FD is located on an intranet (LAN) and you wish to make it available from the other (WAN) side of a NAT router. With NAT traversal properly configured, all HTTP traffic to an external HTTP port in the NAT router will be forwarded to the network camera.

Enable/Disable - When enabled, the AXIS 210/210A/211/211A will attempt to configure port mapping in a NAT router on your network, using UPnP™.

Use manually selected NAT router - Select this option to manually select a NAT router. Enter the IP address for the router in the field provided.

If a router is not manually specified, the AXIS 225FD will automatically search for NAT routers on your network. If more than one router is found, the default router will be selected

Alternative HTTP port - Select this option to manually define an external HTTP port. Enter the port number in the field provided. If no port is entered here a port number will automatically be selected when NAT traversal is enabled.

RTSP


The RTSP protocol allows a connecting client to start an MPEG-4 stream. Enter the RTSP port number to use. The default setting is 554.

Network Traffic

The default setting is **Auto-negotiate**, i.e. the correct speed is automatically selected. If necessary, the connection speed can be set by selecting it from the drop-down list.

Maximum bandwidth - Specify, in Mbit/s or kbit/s, the maximum bandwidth that the camera is allowed to use on the network. This is a useful function when connecting the camera to busy or heavily loaded networks. The default setting is **Unlimited**.

Note: When using MPEG-4 as the video format, remember that setting a maximum bandwidth value here may create problems for individual video streams if the maximum value is less than the sum of the bit rates set for the video streams.

For more information, please see the online help .

Network - SOCKS

SOCKS is a network proxy protocol. The camera can be configured to use a SOCKS server to reach networks on the other side of a firewall/proxy server. This functionality is useful if the camera is located on a local network behind a firewall, but notifications, uploads, alarms, etc., need to be sent to a destination outside the local network (e.g. to the Internet).

Network - SMTP (email)

Enter the host names or addresses for your primary and secondary mail servers in the fields provided, to enable the sending of event and error email messages from the camera to predefined addresses via SMTP.

Network - SNMP

The Simple Network Management Protocol (SNMP) allows the remote management of network devices. Select the version of SNMP to use, depending on the level of security required. HTTPS should be enabled when setting the password for SNMPv3.

Network - UPnP™

The camera includes support for UPnP™, which is enabled by default. If also enabled on your computer, the camera will automatically be detected and a new icon will be added to "My Network Places."

Note: UPnP must also be enabled on your Windows XP or ME computer. To do this, open the Control Panel from the Start Menu and select Add/Remove Programs. Select Add/Remove Windows Components and open the Networking Services section. Click Details and then select UPnP as the service to add.

Network - RTP (Multicast)/MPEG-4

These settings are the IP address, port number, and Time-To-Live value to use for the video stream(s) in multicast MPEG-4 format. Only certain IP addresses and port numbers should be used for multicast streams. For more information, please see the online help.

Ports & Devices

I/O Ports

The two alarm inputs and one output on the AXIS 225FD can be connected to various external devices, e.g. door sensors and alarm bells. The name given to the ports can be changed and state of the I/O ports can be set to Open circuit or Closed circuit.

The pinout, interface support and the control and monitoring functions provided by this connector are described in *Unit Connectors*, on page 38.

COM Port RS485/422

The RS-485/422 port can also be configured to allow it to be controlled by TCP/IP applications. The TCP/IP parameters are described in the online help.

LED Settings

The Status indicator LED can be set to flash at a configurable interval (or to not light up at all) whenever the unit is accessed. For a listing of all LED behavior, see page 7, or the online help.

Note: The LED does not flash when the stream is retrieved using MPEG-4 multicast.

Maintenance

- **Restart** - The unit is restarted without changing any of the settings. Use this method if the unit is not behaving as expected.
- **Restore** - The unit is restarted and most current settings are reset to the factory default values. The only settings saved are:
 - the boot protocol (DHCP or static)
 - the static IP address
 - the default router
 - the subnet mask
 - the system time
- **Default** - The Default button should be used with caution. Pressing this will return all of the camera's settings, including the IP address, to the factory default values. The camera will then have to be re-installed.

Upgrade Server - See *Upgrading the Firmware*, on page 43.

Backup - To take a backup of all of the parameters, and any user-defined scripts, click the **Backup** button. If necessary, it is then possible to return to the previous settings if the settings are changed and there is unexpected behavior.

Restore - click the **Browse** button to locate the saved backup file (see above) and then click the **Restore** button. The settings will be restored to the previous configuration.

Note: Backup and Restore can only be used on the same unit running the same firmware. This feature is not intended for the configuration of multiple units or for firmware upgrades.

Support

The **support overview** page provides valuable information on troubleshooting and contact information, should you require technical assistance.

The **System Overview** page provides an overview of the current network, security, event and camera settings.

Logs & Reports - when contacting Axis support, please be sure to provide a valid Server Report with your query.

View Information - The **Log file**, the **Server Report** and the **Parameter List** all provide valuable information for troubleshooting and when contacting Axis support.

Configuration

Log Level for Log Files - from the drop-down list, select the level of information to be added to the Log file

Log Level for Email - from the drop-down list, select the level of information to send as email and enter the destination email address.

Advanced

Scripting is an advanced function that provides the means for customizing and using scripts.

Caution!

The scripting function is a very powerful tool. Improper use may cause unexpected behavior or even loss of contact with the unit. If a script does cause problems, reset the unit to its factory default settings (in which case, a previously saved backup file will be useful for returning the unit to its latest configuration). **Axis strongly recommends that you do not use this function unless you fully understand the consequences.** Axis support provides no assistance for customized scripts.

For more information, please visit the Developer pages at www.axis.com/developer

Plain Config - this function is for the advanced user with previous experience of configuring Axis cameras. All parameters can be set and modified from this page. Help is available via the links on the standard setup pages.

Resetting to the Factory Default Settings

To reset the camera to the original factory default settings, go to the **System Options > Maintenance** web page (as described in *Maintenance*, on page 35) or use the **Control** button (see the illustration on page 6) as described below:

Using the Control Button

To reset the camera to the factory default settings using the Control Button:

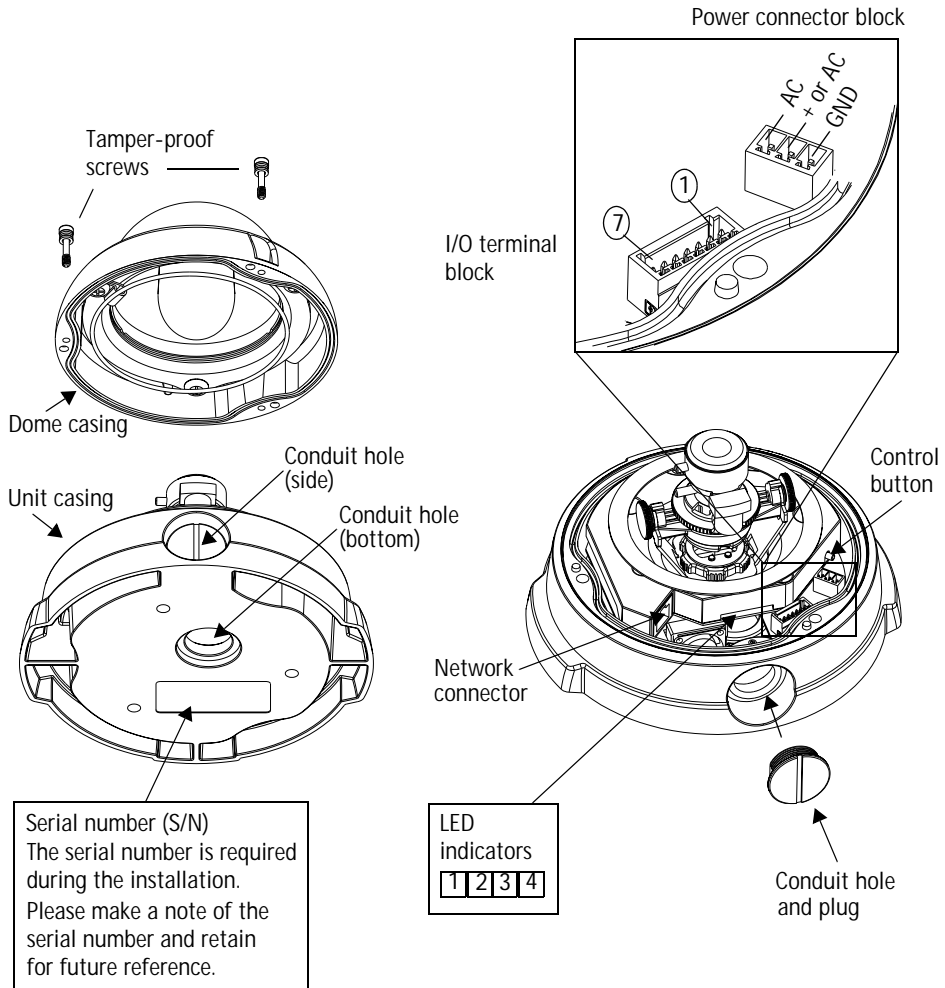
1. Disconnect the power adapter, or the network cable if using PoE.
2. Press and hold the Control button while reconnecting power.

3. Keep the Control button pressed until the **Status Indicator** color changes to amber (which may take up to 15 seconds).
4. Release the Control button.
5. When the Status Indicator changes to Green (which may take up to 1 minute), the process is complete and the camera has been reset. The unit will now have the default IP address 192.168.0.90

Unit Connectors

This section describes the following:

- The I/O terminal block
- LED indicators
- Power connection



I/O Terminal Block

The 7-pin I/O terminal connector provides the interface to a solid state relay output, two digital inputs, RS-485/422 and GND.

The terminal connector is used in applications for e.g. motion detection, event triggering, time lapse recording, alarm notification via email, image storage to FTP locations, etc.

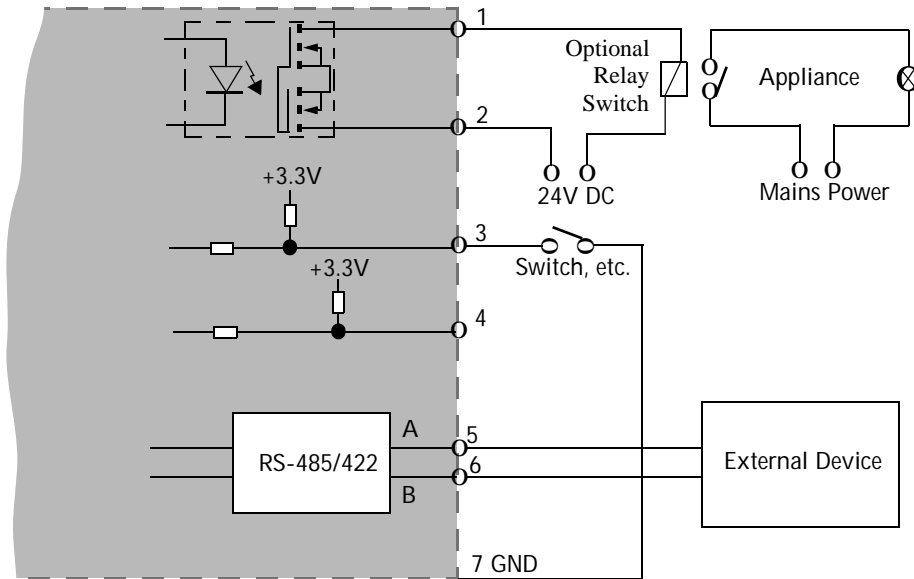
- **Input** - Used for connecting external alarm devices and triggering images for specific alarm-based events. The input is typically connected to a motion detector or any other external security device, and images can be uploaded whenever the detector is activated. Connect to GND to activate.
- **Output** - This can drive a maximum load of 50V DC at 100mA directly or heavier loads by connecting additional relay circuitry. If the output is used with an external relay, a diode must be connected in parallel with the load for protection against any voltage transients.

I/O terminal connector block pinout:

| Pin | Function | Description |
|-----|------------------------------|---|
| 1 | Output A | On the external device output terminals (A and B), there is no distinction between positive and negative (+ and -). The terminals use a photocoupler and are electrically isolated from the other internal circuitry. The maximum load should not exceed 100mA and the maximum voltage should be not more than 50V DC. Note: Connecting AC to the output will damage the unit. |
| 2 | Output B | |
| 3 | Digital Input 1 | Connect to GND to activate, or leave floating (or unconnected) to deactivate. |
| 4 | Digital Input 2 | |
| 5 | RS-485/422-A (non-inverting) | A half-duplex RS-485 interface for controlling auxiliary equipment. |
| 6 | RS-485/422-B (inverting) | |
| 7 | GND | Ground. |

I/O terminal connector schematic diagram

Example schematic diagram of the AXIS 225FD terminal connector - showing possible applications.



LED indicators:

| LED | Function | Color | Description |
|-----|----------|-------|--|
| 1 | Network | Green | Steady for connection to 100 Mbit/s network. Flashes for network activity. |
| | | Amber | Steady for connection to 10 Mbit/s network. Flashes for network activity. |
| | | Red | Flashes rapid red, together with the Status indicator, for hardware error. |
| | | Unlit | No connection. |
| 2 | Status | Green | Shows steady green for normal operation. |
| | | Amber | Shows steady amber during reset to factory default or when restoring settings. |
| | | Red | Slow flash for failed upgrade. Rapid flash, together with the Network indicator, for hardware error. |
| 3 | Heater | Green | Shows steady green if the connected power supply can deliver the correct voltage for the heater (12V DC min 20W or 24V AC min 25VA). |
| | | Red | Incorrect voltage for the heater. |
| 4 | Power | Green | Normal operation. |
| | | Amber | Flashes green/amber during firmware upgrade. |

Power connections

Power can be supplied to the camera by the following methods:

- PoE (Power over Ethernet) via the network cable. This will automatically be detected if available via the network. Note that PoE provides power for the camera only (not the heater).
- Connect the supplied indoor power adapter to the power connector block in the camera casing. Note that this indoor power adapter provides power for the camera only (not the heater).
- Connect an outdoor power supply to the power connector block in the camera casing. For information on available outdoor power supplies, please visit the Support pages at <http://www.axis.com/techsup/>

Power Connector Block

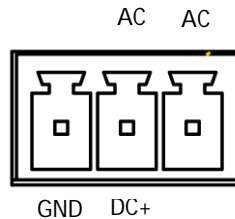
The power connector block supports both AC and DC input power.

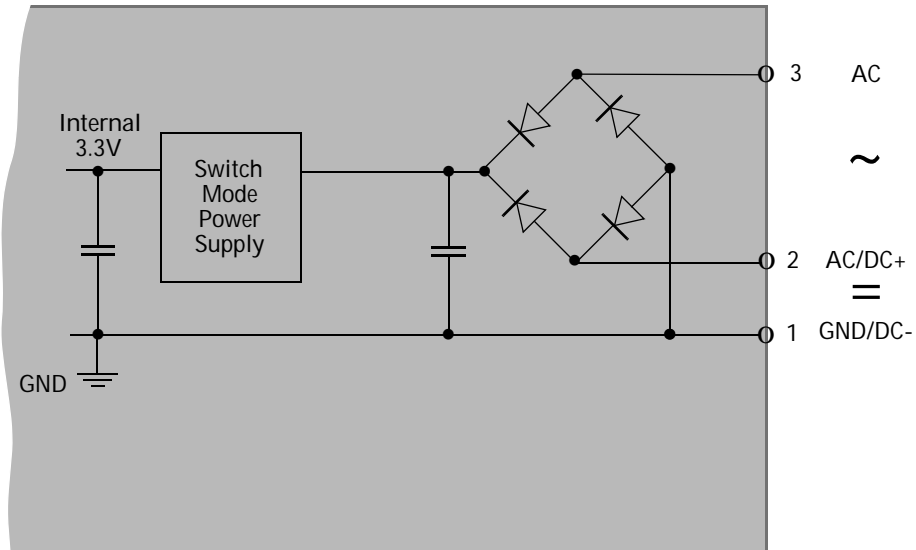
The DC supply is 9-24V. Connect the negative pole to the GND pin and the positive pole to the DC+ pin.

The AC supply is 10-24V. Connect the AC poles to the AC pins.

Power connector block pin assignment table.

| Pin | Function |
|--------|---|
| GND | Ground/DC- |
| AC/DC+ | AC and DC+, power input for mains power to unit |
| AC | AC power input for mains power to unit |



Schematic Diagram - Power Terminal Block and Power Connectors

Troubleshooting

Checking the Firmware

Firmware is software that determines the functionality of the AXIS 225FD. One of your first actions when troubleshooting a problem should be to check the currently installed firmware version. The latest version may contain a correction that fixes your particular problem. The current firmware version in your AXIS 225FD can be seen on the page [Setup > Basic Configuration](#).

Upgrading the Firmware

When you upgrade the firmware with a file from the Axis Web site, your Axis camera will receive the latest available functionality. Always read the upgrade instructions and release notes available with each new release, before updating the firmware.

Note: Preconfigured and customized settings will be saved when the firmware is upgraded (providing the features are available in the new firmware) although this is not guaranteed by Axis Communications.

1. Save the firmware file to your computer. The latest version of the firmware is available free of charge from the Axis Web site at www.axis.com/techsup
2. Go to [Setup > System Options > Maintenance](#) in the camera's Web pages.
3. In the **Upgrade Server** section, browse to the desired firmware file on your computer. Click **Upgrade**.

Upgrade Server

Upgrade the AXIS 225FD Network Camera with the latest firmware.

Specify the firmware to upgrade to: and click

Note: Do not disconnect power to the unit during the upgrade. The unit restarts automatically after the upgrade has completed. (1-10 minutes.)

- Notes:**
- After starting the upgrade process, always wait at least 5-10 minutes before restarting the AXIS 225FD, even if you suspect the upgrade has failed.
 - Your dealer reserves the right to charge for any repair attributable to faulty upgrading by the user.
 - Always read the upgrade instructions available with each new release, before updating the firmware.

Emergency Recovery Procedure

If power to the AXIS 225FD is lost during the upgrade, the process will fail and the unit will become unresponsive. A flashing red Status LED indicates a failed upgrade. To recover the unit, follow the steps below. The serial number is found on the label attached to the bottom of the camera.

1. **Unix/Linux** - From the command line, type the following:

```
arp -s <IP address of AXIS 225FD> <Serial number> temp
ping -s 408 <IP address of camera>
```

Windows - From a command/DOS prompt, type the following:

```
arp -s <IP address of AXIS 225FD> <Serial number>
ping -l 408 -t <IP address of camera>
```

2. If the unit does not reply within a few seconds, restart it and wait for a reply. Press CTRL+C to stop Ping.
3. Open a browser and type in the camera's IP address. In the page that appears, use the **Browse** button to select the upgrade file to use, e.g. axis225fd.bin. Then click the **Load** button to restart the upgrade process.
4. After the upgrade has completed (1-10 minutes), the unit will automatically restart and show a steady green on the Power and Status LEDs and flashing green or amber on the Network LED.
5. Reinstall the AXIS 225FD.

If the emergency recovery procedure does not get the camera up and running again, please contact Axis support at www.axis.com/techsup/

Axis Support

If you contact Axis support, please help us to help you solve your problems, by providing the server report, the log file and a brief description of the problem.

Server Report - go to **Setup > System Options > Support Overview**. The server report contains important information about the server and its software, as well as a list of the current parameters.

The **Log file** is available from **Setup > System Options > Logs & Reports**. The Log file records events in the unit since the last system restart and can be a useful diagnostic tool when troubleshooting.

Symptoms, Possible Causes and Remedial Actions

Hardware problems

| | |
|--------------------------|---|
| Cannot close dome casing | Check that the safety cord is not twisted or in the way of the camera optics. |
|--------------------------|---|

Problems setting the IP address

| | |
|----------------------|--|
| When using ARP/Ping. | Try the installation again. The IP address must be set within two minutes after running the ARP command. Ensure the Ping length is set to 408. |
|----------------------|--|

| | |
|--|---|
| The camera is located on a different subnet. | If the IP address intended for the AXIS 225FD and the IP address of your computer are located on different subnets, you will not be able to set the IP address. Contact your network administrator to obtain an appropriate IP address. |
| The IP address is being used by another device. | <p>Disconnect the AXIS 225FD from the network. Run the Ping command. (In a Command/DOS window, type ping and the IP address of the unit).</p> <p>If you receive: Reply from <IP address>: bytes = 32; time = 10 ms..... - this means that the IP address is already in use on your network. You must obtain a new IP address and reinstall the unit.</p> <p>If you see: Request timed out - this means that the IP address is available for use with your camera. In this case, check all cabling and reinstall the unit.</p> |
| Possible IP address conflict with another device on the same subnet. | The static IP address in the AXIS 225FD is used before the DHCP server sets a dynamic address. This means that if the same default static IP address is also used by another device, there may be problems accessing the camera. To avoid this, set the static IP address to 0.0.0.0. |

The AXIS 225FD cannot be accessed from a Web browser

| | |
|--|--|
| The IP address has been changed by DHCP. | <ol style="list-style-type: none"> 1) Move the AXIS 225FD to an isolated network, or to one with no DHCP or BOOTP server. Set the IP address again, using the AXIS IP Utility (see the Installation Guide) or the ARP/Ping commands. 2) Access the unit and disable DHCP in the TCP/IP settings. Return the unit to the main network. The unit now has a fixed IP address that will not change. 3) As an alternative to 2), if dynamic IP address via DHCP or BOOTP is required, select the required service and then configure IP address change notification from the network settings. Return the unit to the main network. The unit will now have a dynamic IP address, but will notify you if the address changes. |
| Proxy server. | If using a proxy server, try disabling the proxy setting in your browser. |
| Other networking problems. | Test the network cable and connectors by connecting it to another network device, then Ping that device from your workstation. See the instructions above. |
| Cannot log in. | When HTTPS is enabled, ensure that the correct protocol (HTTP or HTTPS) is used when attempting to log in. You may need to manually type in http or https in the browser's address bar. |
| Incorrect host name. | Check that the host name and DNS server settings are correct. See the basic and advanced TCP/IP settings. |

Cannot send notifications, uploads, alarms, etc, to a destination outside the local network

| | |
|----------------------|--|
| Firewall protection. | The camera can be configured to use a SOCKS server to reach networks on the other side of a firewall/proxy server. |
|----------------------|--|

Your AXIS 225FD is accessible locally, but not externally

| | |
|---------------------------|---|
| Firewall protection. | Check the Internet firewall with your system administrator. |
| Default routers required. | Check if you need to configure the default router settings. |

Poor or intermittent network connection.

| | |
|-----------------|---|
| Network switch. | <p>If using a network switch, check that the port on that device uses the same setting for the network connection type (speed/duplex) as set in the advanced TCP/IP settings.</p> <p>The Auto-Negotiate setting is recommended.</p> |
|-----------------|---|

Video/Image problems - general

| | |
|--|--|
| No images in browser (<i>Internet Explorer only</i>) | To enable the updating of video images in Microsoft Internet Explorer, set your browser to allow ActiveX controls. Also, make sure that AXIS Media Control (AMC) component is installed on your workstation. |
| Installation of additional ActiveX component restricted or prohibited. | Configure your AXIS 225FD to use a Java applet for updating the video images under Live View Config > Layout > Default Viewer for Internet Explorer. See the online help for more information. |
| Image too dark or too light. | Check the video image settings. See the online help on Video and Image Settings. |
| Missing images in uploads. | This can occur when trying to use a larger image buffer than is actually available. Try lowering the frame rate or the upload period. |
| Slow image update. | Configuring, e.g. pre-buffers, motion detection, high-resolution images, high frame rates, etc, will reduce the performance of the camera. |
| Poor performance. | Poor performance may be caused by e.g. heavy network traffic, multiple users accessing the unit, low performance clients, use of features such as Motion Detection, Event handling, Image rotation other than 180 degrees. |
| Image gradually gets darker or lighter. | When using the AXIS 225FD in locations lit by fluorescent lighting, check in the advanced image settings that the Exposure control is set to Flicker-free. |
| Image loses focus often. | Disable the DC-Iris lens in the settings for Video & Image > Advanced. Focus the camera following the instructions on page 9, and then enable the DC-Iris lens. |
| Images only shown in black & white. | Check the color level setting. Check the setting for the IR cut filter. Images are shown in color only when this filter is enabled, i.e. when set to yes or auto. |
| Blurred images. | Refocus the camera. Check in the Video & Image > Advanced - Camera Settings that DC-Iris is set to Enabled. If the images are still blurred adjust the metal ring until the image is sharp. |
| Rolling dark bands or flickering in image. | Try adjusting the Flicker-free exposure setting under advanced image settings. Note that the 'Hold Current'/Manual setting may cause unwanted effects. |

Video/image problems - MPEG-4

| | |
|--|--|
| Lower frame rate than expected. | Check with the administrator that there is enough bandwidth available. Check also the settings for bit rate control, in the Video & Image > Advanced > MPEG-4 settings. Using an inappropriate video object type can also affect the frame rate. See the online help for more information. Check in the AMC control panel applet (MPEG-4 tab) that video processing is not set to Decode only I frames. Lower the image resolution. Reduce the number of applications running on the client computer. |
| No MPEG-4 displayed in the client. | Check that the correct network interface is selected in the AMC control panel applet (network tab). Check that the relevant MPEG-4 connection methods are enabled in the AMC control panel applet (network tab). In the AMC control applet, select the MPEG-4 tab and click the button Set to default MPEG-4 decoder. |
| No multicast MPEG-4 displayed in the client. | Check with your network administrator that the multicast addresses used by the AXIS 225FD are valid for your network. |
| Multicast MPEG-4 only accessible by local clients. | Check if your router supports multicasting, or if the router settings between the client and the server need to be configured. The TTL (Time To Live) value may need to be increased. |

| | |
|---|--|
| Poor rendering of MPEG-4 images. | <p>Color depth set incorrectly on clients. Set to 16-bit or 32-bit color.</p> <p>If text overlays are blurred, or if there are other rendering problems, you may need to enable Advanced Video Rendering. This is done on the MPEG-4 tab in the AMC control panel applet.</p> <p>Ensure that your graphics card is using the latest device driver. The latest drivers can usually be downloaded from the manufacturer's web site.</p> <p>If images are degrading, try decreasing the GOV length, see <i>Advanced Settings</i>, on page 18.</p> |
| Color saturation is different in MPEG-4 and Motion JPEG. | Modify the settings for your graphics adapter. Please see the adapter's documentation for more information. |
| The test image does not display as expected. | |
| Image settings. | Not all settings have an effect on the test image. For more information, see the help on Image Settings. |
| The Power indicator is not constantly lit | |
| Faulty power supply. | Check that you are using an AXIS PS-K power supply. |
| The Status and Network indicator LEDs are flashing red rapidly | |
| Hardware failure. | Contact your Axis dealer. |
| The Status indicator LED is flashing red and the camera is inaccessible | |
| A firmware upgrade has been interrupted or the firmware has otherwise been damaged. | See the <i>Emergency Recovery Procedure</i> above. |
| Poor quality snapshot images | |
| Screen incorrectly configured on your workstation. | In Display Properties, configure your screen to show at least 65000 colors, i.e. at least 16-bit. Using only 16 or 256 colors will produce dithering artifacts in the image. |
| Browser freezes | |
| Netscape 7.x or Mozilla 1.4 (or later) can sometimes freeze on a slow computer. | Lower the image resolution. |
| Problems uploading files | |
| Limited space. | There is only limited space available for the upload of your own files. Try deleting one or more existing files, to free up space. |
| Missing images in uploads. | This can occur when trying to use a larger image buffer than is actually available. Try lowering the frame rate or the upload period. |
| Overlay is not displayed | |
| Incorrect size or location of overlay. | The overlay may have been positioned incorrectly. Refer to the online help for information on the limitations when using image overlays and privacy masks. |
| Motion Detection triggers unexpectedly | |
| Changes in luminance. | Motion detection is based upon changes in luminance in the image. This means that if there are sudden changes in the lighting, motion detection may be mistakenly triggered. Lower the sensitivity setting to avoid problems with luminance. |

For additional assistance, please contact your reseller or see the support pages on the Axis Website at www.axis.com/techsup

Technical Specifications

| Item | Specification |
|----------------------------|---|
| Model | AXIS 225FD Fixed Dome Network Camera (Also available bundled with outdoor power supply) |
| Image sensor | 1/4" Sony Wfine progressive scan RGB CCD |
| Lens | Pentax QD2V2814BE-DN, F1.4 varifocal 2.8 –5.8 mm, DC-iris, horizontal viewing angle: 75°-36°, focus range: 0.3 m to infinity |
| Camera angle adjustment | pan $\pm 180^\circ$, tilt $\pm 85^\circ$, rotation $\pm 170^\circ$ |
| Minimum illumination | Color mode: 1lux, F1.4 Black/white mode: 0.2lux, F1.4 |
| Video compression | Motion JPEG MPEG-4 Part 2 (ISO/IEC 14496-2), Profiles: ASP and SP |
| Resolutions | 16 resolutions from 640x480 to 160x120 via API, 5 selections via configuration web page |
| Frame rate | Motion JPEG: Up to 30 frames per sec in all resolutions MPEG-4: Up to 24 frames per sec in all resolutions Up to 30 frames per sec in 480x360 or lower |
| Video streaming | Simultaneous Motion JPEG and MPEG-4 Controllable frame rate and bandwidth Constant and variable bit rate (MPEG-4) |
| Image settings | Compression levels: 11 (Motion JPEG)/23 (MPEG-4) Rotation: 90°, 180°, 270° Configurable color level, brightness, sharpness, contrast, white balance, exposure control, exposure area, backlight compensation, fine tuning of behavior at low light Overlay capabilities: time, date, text, privacy mask or image |
| Shutter time | 2 sec to 1/12500 sec |
| Security | Multiple user access levels with password protection, IP address filtering, HTTPS encryption |
| Users | 20 simultaneous users Unlimited number of users using multicast (MPEG-4) |
| Alarm and event management | Events triggered by built-in multi-window motion detection, external inputs or according to a schedule Image upload over FTP, email and HTTP Notification over TCP, email, HTTP and external output Pre- and post alarm buffer of 9 MB (approx 5 min of 320x240 resolution video at 4 frames per sec) |
| Connectors | Ethernet 10BaseT/100BaseTX, RJ-45 Terminal block for 2 alarm inputs, 1 output, RS-485/422 half duplex port, and power connection |
| Casing | IP66 rated, 1000 kg (2200 lbs) impact-resistant casing Tamper-proof mounting, Polycarbonate dome glass Metal base |

| Item | Specification |
|--|---|
| Processors, memory, clock | CPU: ETRAX 100LX 32bit Video processing and compression: ARTPEC-2 RAM: 32 MB, Flash: 8 MB Battery backed-up real-time clock |
| Power | <ul style="list-style-type: none"> • Camera, heater and fan: 12 V DC, max 20 W 24 V AC, max 25 VA • Camera and fan: 9-24 V DC, max 5.5 W 10-24 V AC, max 8 VA Power over Ethernet (IEEE 802.3af) with power classification (Class 2) • Heater only: (can be powered separately when camera and fan are powered over Ethernet) 12 V DC, max 15 W 24 V AC, max 17 VA |
| Operating conditions | <ul style="list-style-type: none"> • Camera: Heater powered: -20 – 50 °C (-4 – 122 °F) Heater not powered: 0 – 50 °C (32 – 122 °F) • Indoor power supply: 0 – 50 °C (32 – 122 °F) • Humidity 20 - 80% RH (non condensing) |
| Temperature warning | Warning issued when temperature is below or above limits |
| Installation, management and maintenance | Installation and management tools on CD and web-based configuration Configuration of backup and restore Firmware upgrades over HTTP or FTP, firmware available at www.axis.com |
| Video access from Web browser | Camera live view, sequence tour capability for up to 20 Axis video sources, customizable HTML pages |
| Minimum web browsing requirements | Pentium III CPU 500 MHz or higher, or equivalent AMD 128 MB RAM AGP graphic card, Direct Draw, 32 MB RAM Windows XP, 2000, NT4.0*, ME* or 98*, DirectX 9.0 or later Internet Explorer 5.x or later For other operating systems and browsers see www.axis.com/techsup *Motion JPEG only |
| System integration support | Powerful API for software integration available at www.axis.com including HTTP API, AXIS Media Control SDK, event trigger data in video stream, embedded scripting and access to serial port peripherals over TCP. Watchdog secures continuous operation, can be monitored by other systems via event notification. Embedded operating system: Linux 2.4 |
| Supported protocols | IP, HTTP, HTTPS, SSL/TLS*, TCP, ICMP, SNMPv1/v2c/v3 (MIB-II), RTSP, RTP, UDP, IGMP, RTCP, SMTP, FTP, DHCP, UPnP, ARP, DNS, DynDNS, SOCKS, NTP etc. More information on protocol usage available at www.axis.com * This product includes software developed by the Open SSL Project for use in the Open SSL Tool kit (www.openssl.org) |
| Applications (not included) | AXIS Camera Station - Surveillance application for viewing, recording and archiving up to 25 cameras AXIS Camera Explorer – Basic software for viewing and manual recording See www.axis.com/partner/adp_partners.htm for more software applications via partners |

| Item | Specification |
|-------------------------|---|
| Included accessories | Installation Guide, CD with installation and management tools, User's Manual and demo software Connector kit MPEG-4 licenses (1 encoder, 1 decoder), MPEG-4 decoder (Windows) Indoor power supply PS-K, 9V DC, 9 W (for powering camera and fan) |
| Accessories (not incl.) | Drop ceiling mount bracket Smoked dome glass AXIS PS-24 Outdoor power supply Power over Ethernet midspans AXIS 292 Network Video Decoder AXIS MPEG-4 Decoder 10 user license pack |
| Approvals | EN 55022:1994+A1+A2, Class B FCC Part 15, Subpart B, Class B demonstrated by compliance with EN 55022 (CISPR 22) EN 61000-3-2:2000 EN 61000-3-3:1995+A1 VCCI:2003, Class B, ITE (CISPR22:1997+A1, Class B) C-tick AS/NZS 3548 ICES-003, Class B EN 55024:1998+A1+A2 EN 61000-6-2:2001 EN 61000-6-1:2001 EN 60950 UL, CSA (indoor power supply) |
| Dimensions | Height: 115 mm (4 1/2") Diameter: 175 mm (6 1/8") Weight: 1250g (2 3/4lbs) excl. power supply |

General performance considerations

When setting up your system, it is important to consider how various settings and situations will affect performance. Some factors affect the amount of bandwidth (the bit rate) required, others can affect the frame rate, and some will affect both. If the load on the CPU reaches its maximum, this will also affect the frame rate.

The following factors are among the most important to consider:

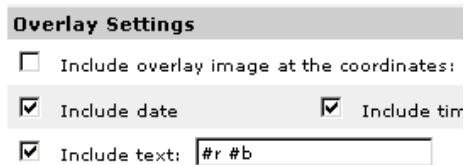
- High image resolutions and/or lower compression levels result in larger images. Bandwidth affected.
- Access by large numbers of Motion JPEG and/or unicast MPEG-4 clients. Bandwidth affected.
- Simultaneous viewing of different streams (resolution, compression, etc.) by different clients. Frame rate and bandwidth affected.
- Accessing both Motion JPEG and MPEG-4 video streams simultaneously. Frame rate and bandwidth affected.
- Heavy usage of event settings affects the camera's CPU load. Frame rate affected.
- Enabled motion detection. Frame rate and bandwidth affected.
- Heavy network utilization due to poor infrastructure. Bandwidth affected
- Viewing on poorly performing client PC's lowers perceived performance. Frame rate affected.

Optimizing your system

To see the bandwidth and frame rate currently required by the video stream, the AXIS 225FD provides a tool that can be used to display these values directly in the video image.

To do this, special format strings are added as part of a text overlay. Simply add #r (average frame rate in fps) and/or #b (average bandwidth in kbps) to the overlay.

For detailed instructions, please see the online help for **Video & Image > Overlay Settings**, and the help for **File Naming & Date/Time Formats**.



Important!

- The figures displayed here are the values as delivered by the camera. If other restrictions are currently in force, (e.g. bandwidth limitation) these values might not correspond to those actually received by the client.
- For Motion JPEG, these values will only be accurate as long as no frame rate limit has been specified.

Frame rates - Motion JPEG and MPEG-4

The following table shows typical frame rates in frames/second (fps) for Motion JPEG and MPEG-4 video streams from the AXIS 225FD.

Note that these values are guidelines only - actual values may vary.

Motion JPEG settings:

- Viewing in AMC
- Compression level = 30%

MPEG-4 settings:

- Viewing in AMC
- Compression level = 30%
- Video Object Type = Advanced Simple
- GOV length = 8
- GOV structure = IP*

| | Frame rates | |
|---------|-------------|--------|
| | Motion JPEG | MPEG-4 |
| 640x480 | 30 | 24 |
| 480x360 | 30 | 30 |
| 320x240 | 30 | 30 |
| 160x120 | 30 | 30 |

*Note that setting the GOV structure to use "I-frames only" will increase the frame rate at the expense of the bit rate.

Bandwidth

As there are many factors that affect bandwidth, it is very difficult to predict the required amounts. The settings that affect bandwidth are:

- the image resolution
- the image compression
- the frame rate
- the MPEG-4 object type
- the MPEG-4 GOV structure
- the maximum exposure time.

There are also factors in the monitored scene that will affect the bandwidth. These are:

- the amount of motion
- the image's complexity
- the lighting conditions.

For MPEG-4, if there is only limited bandwidth available, and if this is more important than the image quality, using a constant bit rate (CBR) is recommended. Use a variable bit rate (VBR) if the image quality needs to be maintained at a higher level. If supported on the network, consider also using MPEG-4 multicasting, as the bandwidth consumption will be much lower.

Glossary of Terms

ActiveX - A control (or set of rules) used by a browser. ActiveX controls are often downloaded and installed automatically as required.

AMC - AXIS Media Control. The control required for viewing video images in Internet Explorer. Installs automatically on first use.

API - Application Programming Interface. The Axis API can be used for integrating Axis products into other applications.

ARP - Address Resolution Protocol. A protocol used to associate an IP address to a hardware MAC address. A request is broadcast on the local network to find out what the MAC address is for the IP address.

ARTPEC - Axis Real Time Picture Encoder - used for video image compression.

CCD - Charge Coupled Device. CCD is one of the two main types of image sensors used in digital cameras. When a picture is taken, the CCD is struck by light coming through the camera's lens. Each of the thousands or millions of tiny pixels that make up the CCD convert this light into electrons.

CGI - Common Gateway Interface. A set of rules (or a program) that allows a Web Server to communicate with other programs.

Client/Server - Describes the network relationship between two computer programs in which one, the client, makes a service request from another - the server.

DC-Iris - This special type of iris is electrically controlled by the Axis camera, to automatically regulate the amount of light allowed to enter.

DNS - The Domain Name System (DNS) locates and translates Internet domain names into IP (Internet Protocol) addresses.

Ethernet - A widely used networking standard.

ETRAX - Axis' own microprocessor.

Firewall - A virtual barrier between a LAN (Local Area Network) and other networks, e.g. the Internet.

FTP - File Transfer Protocol. Used for the simple transfer of files to and from an FTP-server.

Full-duplex - Transmission of data, e.g. audio, in two directions simultaneously.

HTML - Hypertext Mark-up Language. Used widely for authoring documents viewed in web browsers.

HTTP - Hypertext Transfer Protocol. The set of rules for exchanging files (text, images, sound, video, and other files) on the World Wide Web.

HTTPS - Hypertext Transfer Protocol over Secure Socket Layer. A web protocol that provides encryption for page requests from users and for the pages returned by the web server.

Intranet - A private network limited to an organization or corporation. Usually closed to external traffic.

IP - Internet-Protocol. See TCP/IP.

IP address - A unique number used by a network device, to allow it to be identified and found on the network. The 32-bit IP address is made up of four groups (or quads) of decimal digits separated by periods. An example of an IP address is: 192.168.0.1

ISMA - Internet Streaming Media Alliance

JPEG - A standard image format, used widely for photographs. Also known as JPG.

LAN - A local area network (LAN) is a group of computers and associated devices that typically share common resources within a limited geographical area.

Linux - A popular operating system, which is "open source" and practically free of charge.

Lux - A standard unit for the measurement of light, where 1 Lux equals the light emitted from a single candle at a distance of one meter.

Mbit/s - Megabits per second. A unit for measuring speeds in networks. A LAN might run at 10 or 100 Mbit/s.

MPEG-4 - A video compression standard that makes good use of bandwidth, and which can provide high-quality video streams at less than 1 Mbit/s.

Multicast - A bandwidth-conserving technology that reduces bandwidth usage by simultaneously delivering a single stream of information to multiple network recipients.

NTSC - National Television Standards Committee. NTSC is the standard format used for televisions in most of North and Central America, and Japan.

NWAY - A network protocol that automatically negotiates the highest possible common transmission speed between two devices.

PAL - Phase Altering Line. PAL is the standard format used for televisions in most of the world (other than the US, Canada, and Japan).

PEM - Privacy Enhanced Mail. An early standard for securing electronic mail. The PEM-format is often used for representing an HTTPS certificate or certificate request.

Ping - A small utility used for sending data packets to network resources to check that they are working and that the network is intact.

Pre/post alarm image - The images from immediately before and after an alarm.

Privacy mask - An image or specified area used to block out certain parts of the video image.

Protocol - A special set of rules governing how two entities will communicate. Protocols are found at many levels of communication, and there are hardware protocols and software protocols.

Router - A device that determines the next network point to which a packet should be forwarded on its way to its final destination. A router is often included as part of a network switch (see below).

RTP- Real-Time Transfer Protocol. A transfer protocol designed for delivery of live contents, e.g. MPEG-4.

Simplex - In simplex operation, a network cable or communications channel can send information in one direction only.

SMTP - A common e-mail protocol.

SNMP - Simple Network Management Protocol. An application layer protocol that facilitates the exchange of management information between network devices. It is part of the Transmission Control Protocol/Internet Protocol (TCP/IP) protocol suite.

Subnet Mask - An IP address consists of two components: the network address and the host address. "Subnetting" enables a network administrator to further divide the host part of the address into two or more subnets. The subnet mask identifies the subnet to which an IP address belongs.

Switch - Whilst a simple hub transmits all data to all devices connected to it, a switch only transmits the data to the device it is specifically intended for.

TCP/IP - Transmission Control Protocol/Internet Protocol. A suite of network protocols that determine how data is transmitted. TCP/IP is used on many networks, including the Internet. TCP keeps track of the individual packets of information and IP contains the rules for how the packets are actually sent and received.

UDP - The User Datagram Protocol is a communications protocol that offers a limited amount of service when messages are exchanged between computers in a network that uses the Internet Protocol (IP). UDP is an alternative to the Transmission Control Protocol (TCP) and, together with IP, is also known as UDP/IP.

Unicast - Communication that takes place over a network between a single sender and a single receiver.

UPnP™ - Allows the automatic peer-to-peer detection of devices on the network.

URL - Uniform Resource Locator. An "address" on the network.

Varifocal - A varifocal lens provides a wide range of focal lengths, as opposed to a lens with a fixed focal length, which only provides one.

WAN - Wide-Area-Network. Similar to a LAN, but on a larger geographical scale.

Web server - A program on a computer (server) providing the resources (e.g. web pages) requested by the user (client).

Index

A

- Access from a browser 8
- Accessing the video stream 13
- Action 25
- Action buttons 23
- Active/Inactive 23
- Administrators 15
- Advanced camera settings 19
- Advanced Simple profile 11
- Alarm 28, 39
- AMC 13
- AMC viewer toolbar 10
- AXIS Media Control 21

B

- Backup 36
- Bandwidth 11, 53
- Bit rate 11
- Buffers 27

C

- CGI links 23
- Configuration 15
- Constant bit rate 11
- Custom settings 21

D

- Date & Time 32
- Default button 36
- Default viewer 23
- DNS configuration 33
- DNS server 33
- Domain name 33

E

- Emergency recovery 44
- Event servers 25
- Event types 26
- Events 25

- External video 24
- External video source 10

F

- Factory default settings 38
- Firmware 43
- Focusing 9
- Frame rate 17
- FTP Server 25
- Full screen button 10

H

- Host name 33
- HTML examples 24
- HTTP API 23
- HTTP Server 25
- HTTPS 31

I

- I/O Ports 35
- I/O terminal connector 7, 39
- Include windows 28
- Input 39
- IP address filtering 30

L

- LED indicators 7
- Lighting conditions 19
- Live View configuration 21
- Live View page 10, 15
- Logs & Reports 36
- Low light behavior 19

M

- Maintenance 36
- Motion detection 28
- Motion JPEG 11
- MPEG-4 11
- MPEG-4 protocols 12
- MPEG-4 settings 20, 35
- Multicast 35
- Multicasting 12

N

Network connector 7
Network settings 32
NTP server 32

O

Other MPEG-4 clients 14
Output 39
Output buttons 10, 23
Overlay/Mask 17
Own home page 22
Own web files 22

P

Password 9
Port status 29
Ports & Devices 35
Power connector 7
Pre/post trigger buffer 27
Privacy mask 17
Pulse 10, 23

R

Recovery 44
Referrals 31
Replacing the lens 48
Restart 36
Restore 36
RTP 12
RTSP 12

S

Scheduled event 25, 27
Security 30

Sequence mode 10, 24
Serial number 6
Server time 32
Services 32
Setup 15
Simple profile 11
Snapshot button 10
Streaming MPEG-4 12
Support 36
System options 30

T

TCP Server 25
TCP/IP settings 32
Technical specifications 49
Text overlay 17
Time mode 32
Triggered event 25

U

UDP 12
Unicasting 12
Unit connectors 39
Upgrade server 36
Upgrading the firmware 43
Upload overlay/mask 18
Uploading web files 22
UPnP 35
User-defined links 22
Users 30

V

Variable bit rate 11
Video streams 11, 17

Free Manuals Download Website

<http://myh66.com>

<http://usermanuals.us>

<http://www.somanuals.com>

<http://www.4manuals.cc>

<http://www.manual-lib.com>

<http://www.404manual.com>

<http://www.luxmanual.com>

<http://aubethermostatmanual.com>

Golf course search by state

<http://golfingnear.com>

Email search by domain

<http://emailbydomain.com>

Auto manuals search

<http://auto.somanuals.com>

TV manuals search

<http://tv.somanuals.com>