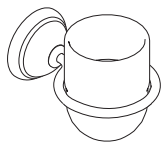
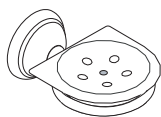


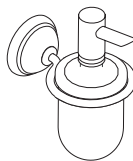
Installation Instructions / Warranty



Accessories C
06090XX0



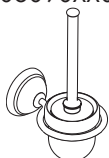
Accessories C
06091XX0



Accessories C
06092XX0



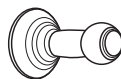
Accessories C
06093XX0



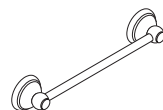
Accessories C
06094XX0



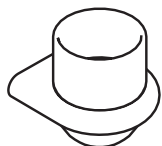
Accessories C
06095XX0



Accessories C
06096XX0
06099XX0



Accessories C
06097XX0
06098XX0



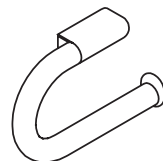
Accessories E
06589XX0



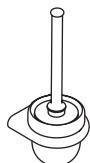
Accessories E
06592XX0



Accessories E
06593XX0



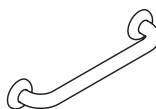
Accessories E
06596XX0



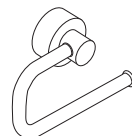
Accessories E
06600XX0



Accessories E
06594XX0
06595XX0



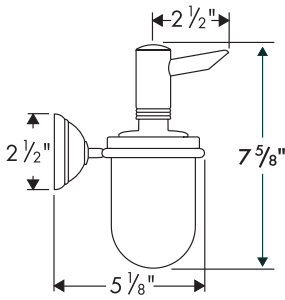
Accessories E
06598XX0
06866XX0



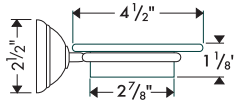
Accessories S
04063XX0

hangrohe

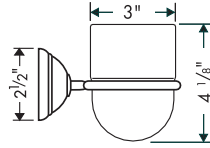
Accessories C, Accessories S



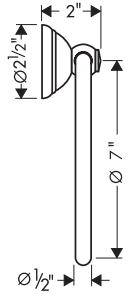
06092XX0
Soap Dispenser



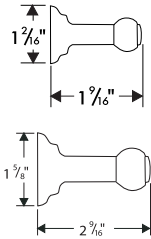
06091XX0
Soap Dish



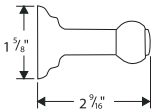
06090XX0
Tumbler



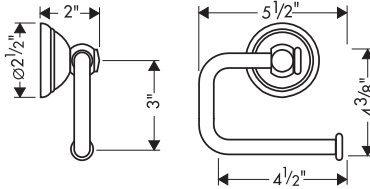
06095XX0
Towel Ring



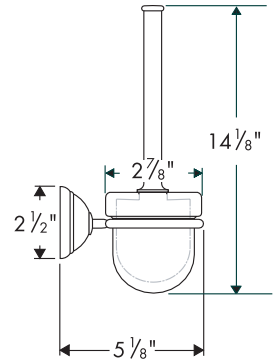
06096XX0
Face Cloth Hook



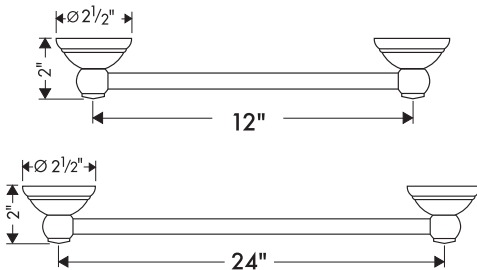
06099XX0
Robe Hook



06093XX0
Toilet Paper Holder

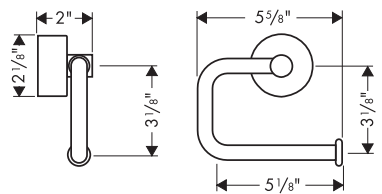


06094XX0
Toilet Brush



06097XX0
12" Towel Bar

06098XX0
24" Towel Bar

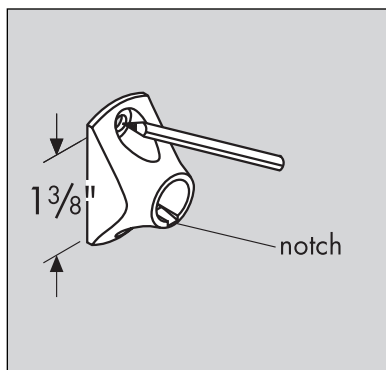


04063XX0
Toilet Paper Holder

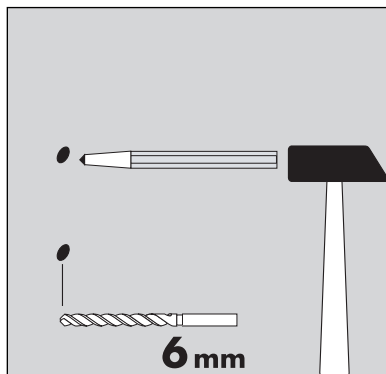
Installation 06092XX0, 06091XX0, 06090XX0, 06093XX0, 06094XX0, 06095XX0, 06097XX0 / 06098XX0, 04063XX0

Using the mounting piece as a template, mark the positions of the screw holes.

! Do not press the mounting piece into the accessory until the mounting piece is screwed firmly to the wall!



Drill the holes with a 6mm bit.

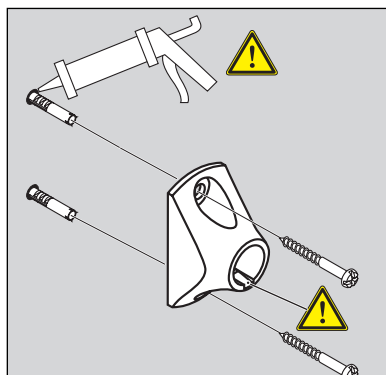


Install the anchors.

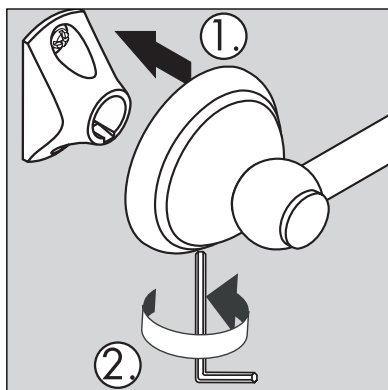
! If the accessory is installed in the shower, seal the wall around the anchors with waterproof sealant.

! Failure to seal the wall can lead to possible water damage.

! Install the mounting piece with the notch at the bottom.

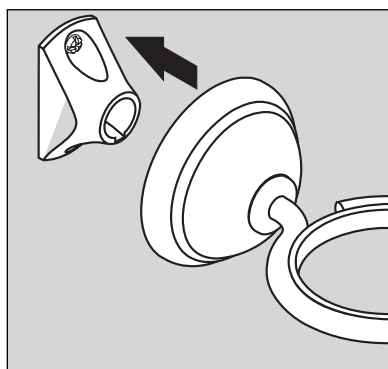


06097 Towel bar only: Press the end pieces over the mounting pieces (1). Use the enclosed allen wrench to tighten the set screws (2)



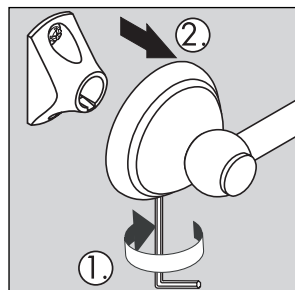
Other accessories and towel bars: Press the accessory firmly over the mounting piece.

The retaining pin in the accessory will snap into place, holding the accessory firmly on the mounting piece.



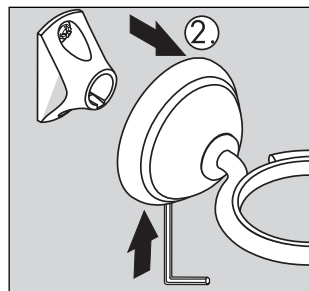
To remove the accessory from the wall

06097 Towel bar only: Use the allen wrench to loosen the set screw (1). Pull the accessory away from the wall (2).



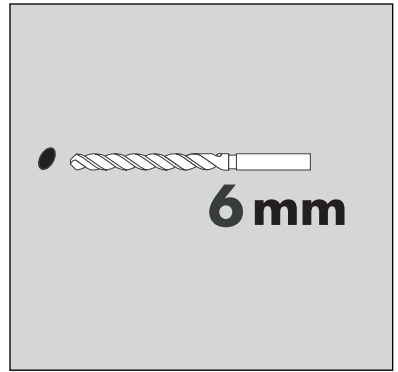
All other accessories and towel bars: Push a small tool, such as an allen wrench, through the hole in the bottom of the escutcheon.

Push the tool firmly against the retaining pin (1). At the same time, pull out on the holder (2).



Installation 06096XX0, 06099XX0

Drill the hole using a 6 mm bit suitable for the wall surface.



Install the anchor.

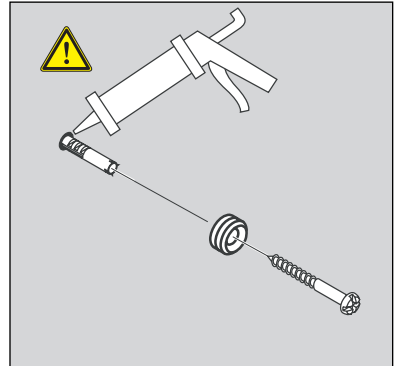


If the accessory is installed in the shower, seal the wall around the anchors with waterproof sealant.

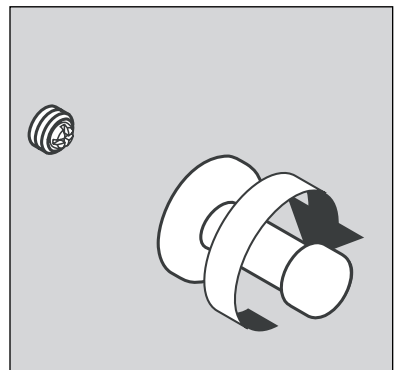


Failure to seal the wall can lead to possible water damage.

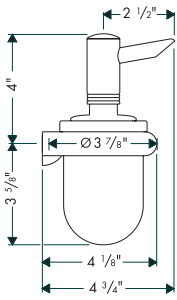
Screw the mounting piece to the wall.



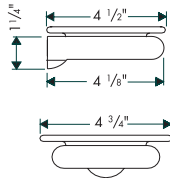
Screw the hook to the mounting piece.



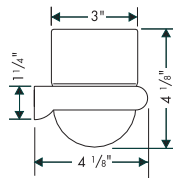
Accessories E



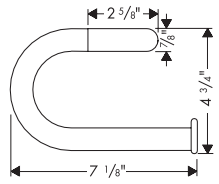
Soap Dispenser
06593XX0



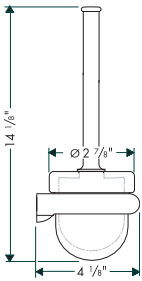
Soap Dish
06592XX0



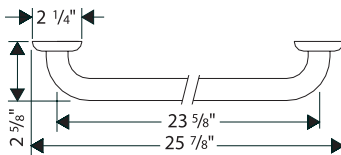
Tumbler
06589XX0



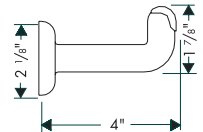
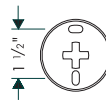
Toilet Paper Holder
06596XX0



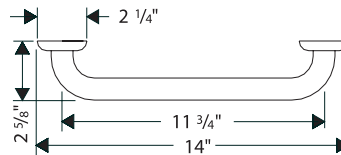
Toilet Brush
06600XX0



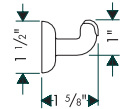
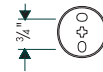
24" Towel Bar
06866XX0



Robe Hook
06595XX0



12" Towel Bar
06598XX0



Face Cloth Hook
06594XX0

Installation 06593XX0, 06589XX0, 06592XX0, 06600XX0

Mark the positions of the screw holes on the wall.

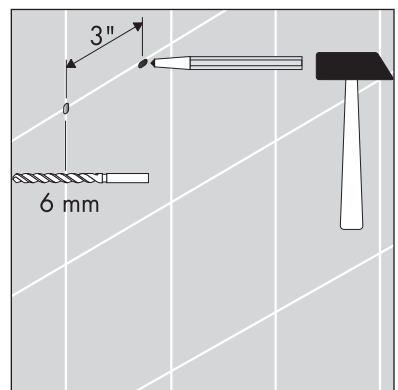
Drill the screw holes using a 6 mm drill bit.



If the accessory is installed in the shower, seal the wall around the anchors with waterproof sealant.



Failure to seal the wall can lead to possible water damage.

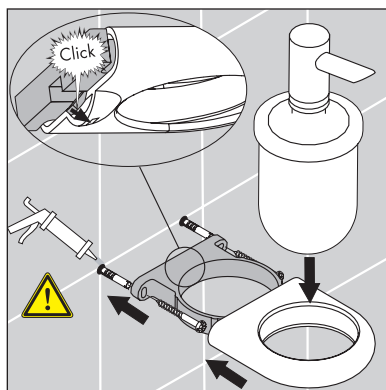


Screw the support into the anchors. The pin on the support should be on the bottom.

Slide the cover over the support. The pin on the support clicks into place in the hole in the cover.

Place the accessory into the holder.

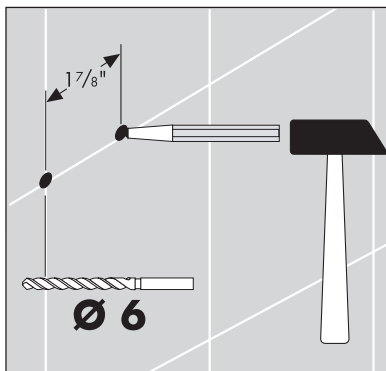
The accessory may be removed from the holder.




Installation 06596XX0

Mark the positions of the screw holes.

Drill the screw holes using a 6 mm bit suitable for the wall surface.



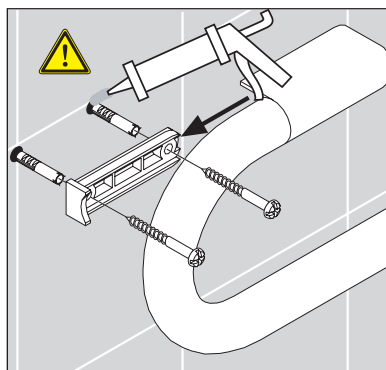
Install the anchors.

 **If the accessory is installed in the shower, seal the wall around the anchors with waterproof sealant.**

 **Failure to seal the wall can lead to possible water damage.**

Screw the support into the anchors.

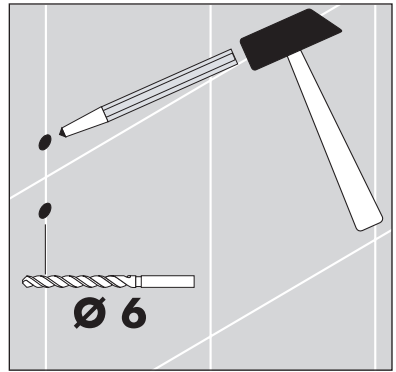
Slide the toilet paper holder over the support.



Installation 06594XX0, 06595XX0

Mark the positions of the screw holes on the wall.

Drill the screw holes with a 6 mm drill bit



Install the anchors.



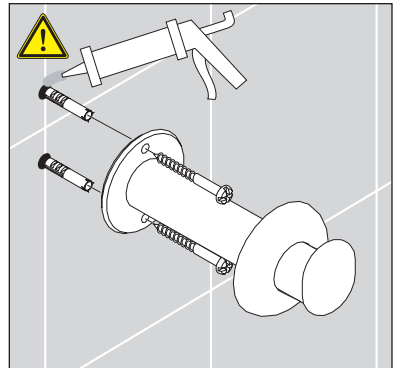
If the accessory is installed in the shower, seal the wall around the anchors with waterproof sealant.



Failure to seal the wall can lead to possible water damage.

Screw the hook into the wall.

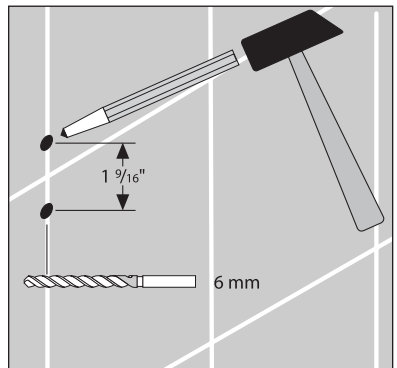
Slide the screw cover against the wall.



Installation 06598XX0, 06866XX0

Mark the positions of the screw holes.

Drill the holes using a 6 mm drill bit.



Install the anchors.



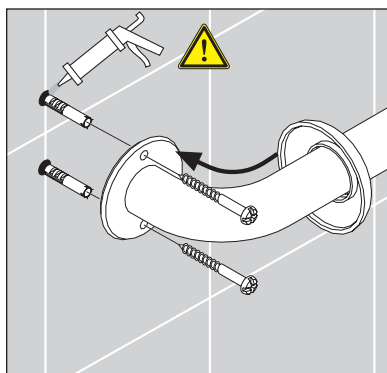
If the accessory is installed in the shower, seal the wall around the anchors with waterproof sealant.



Failure to seal the wall can lead to possible water damage.

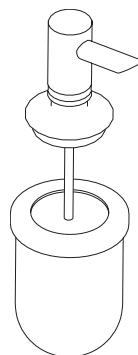
Screw the towel bar into the anchors.

Slide the escutcheon over the screws.

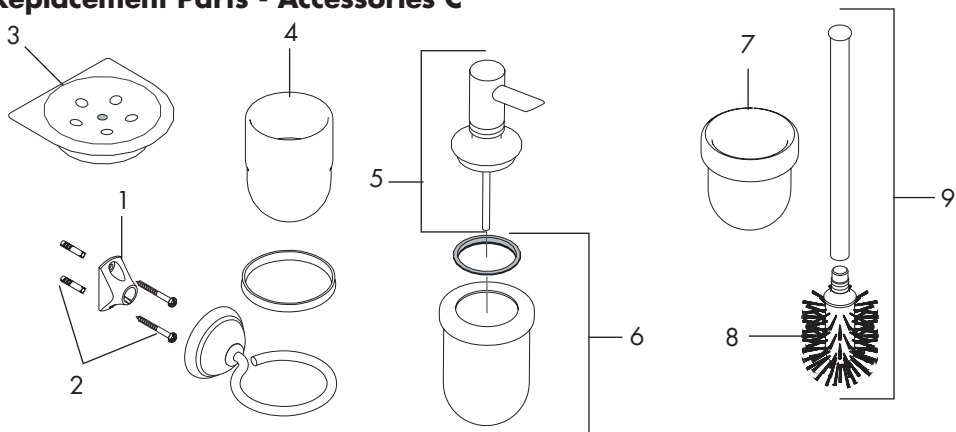


Fill soap dispenser 06593XX0, 06092000

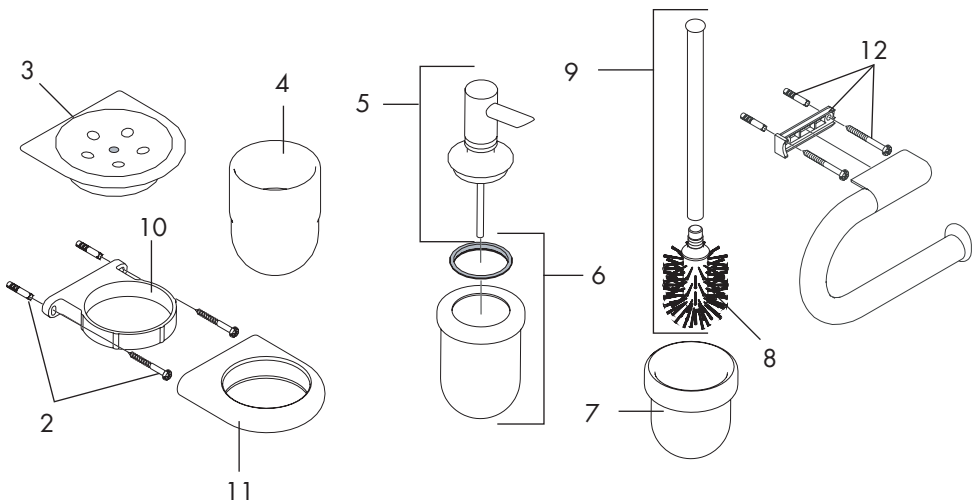
Lift the pump assembly off the bottle. Fill the bottle. Replace the pump assembly.



Replacement Parts - Accessories C



Replacement Parts - Accessories E



1	mounting piece	96341000
2	mounting set	40915000
3	soap dish	40936000
4	tumbler	40935000
5	pump	40918000
6	bottle	40299000
7	cup	40086000
8	brush head	40088000
9	brush	40089XX0
10	holder	40215000
11	cover	96110XX0
12	mounting & support kit	40292XX0

XX = color
 00 = chrome
 62 = oil rubbed bronze
 82 = brushed nickel
 83 = polished nickel

Cleaning Recommendation for Hansgrohe Products

Modern lavatory faucets, kitchen faucets, and showers consist of very different materials to comply with the needs of the market with regard to design and functionality. To avoid damage and returns, it is necessary to consider certain criteria when cleaning.

Cleaning Materials for Faucets and Showers

Acids are a necessary ingredient of cleaning materials for removing lime, however please pay attention to the following points when cleaning faucets and showers:

- Only use cleaning materials which are explicitly intended for this type of application.
- Never use cleaning materials which contain hydrochloric, formic, phosphoric, or acetic acid, as they cause considerable damage.
- Never mix one cleaning material with another.
- Never use cleaning materials or appliances with an abrasive effect, such as unsuitable cleaning powders, sponge pads, or micro fiber cloths.

Cleaning Instructions for Faucets and Showers

Please follow the cleaning material manufacturer's instructions. In addition, pay attention to the following points:

- Clean the faucets and showers as and when required
- Use the amount of cleaning product and the amount of time recommended by the manufacturer. Do not leave the cleaner on the fixture longer than necessary.
- Regular cleaning can prevent calcification.
- When using spray cleaners, spray first onto a soft cloth or sponge. Never spray directly onto the faucet as droplets can enter openings and gaps and cause damage.
- After cleaning, rinse thoroughly with clean water to remove any cleaner residue.

Important

Residues of liquid soaps, shampoos, and shower foams can also cause damage, so rinse with clean water after using.

Please note: if the surface is already damaged, the effect of cleaning materials will cause further damage.

Components with damaged surfaces must be replaced or injury could result.

Damage caused by improper treatment is not covered under the warranty.

Limited Lifetime Consumer Warranty

This product has been manufactured and tested to the highest quality standards by Hansgrohe, Inc. ("Hansgrohe"). This warranty is limited to Hansgrohe products which are purchased by a consumer in the United States after March 1, 1996, and installed in either the United States or Canada.

WHO IS COVERED BY THE WARRANTY

This warranty extends to the original consumer purchaser only. This warranty is non-transferable.

WHAT IS COVERED BY THE WARRANTY

This warranty covers only your Hansgrohe manufactured product. Hansgrohe warrants this product against defects in material or workmanship as follows: Hansgrohe will repair at no charge for parts only or, at its option, replace any product or part of the product that proves defective because of improper workmanship and/or material, under normal installation, use, service and maintenance. If Hansgrohe is unable to provide a replacement and repair is not practical or cannot be timely made, Hansgrohe may elect to refund the purchase price in exchange for the return of the product.

LENGTH OF WARRANTY

Replacement or repaired parts of products will be covered for the term of this warranty as stated in the following two sentences. If you are a consumer who purchased the product for use primarily for personal, family, or household purposes, this warranty extends for as long as you own the product and the home in which the product is originally

installed. If you purchased the product for use primarily for any other purpose, including, without limitation, a commercial purpose, this warranty extends only (i) for 1 year, with respect to Hansgrohe and Commercial products, and (ii) for 5 years, with respect to AXOR products.

THIS WARRANTY DOES NOT COVER, AND HANSGROHE WILL NOT PAY FOR:

- A. Conditions, malfunctions or damage not resulting from defects in material or workmanship.
- B. Conditions, malfunctions or damage resulting from (1) normal wear and tear, improper installation, improper maintenance, misuse, abuse, negligence, accident or alteration, or (2) the use of abrasive or caustic cleaning agents or "no-rinse" cleaning products, or the use of the product in any manner contrary to the product instructions. (3) Conditions in the home such as excessive water pressure or corrosion.
- C. Labor or other expenses for the disconnection, deinstallation, or return of the product for warranty service, or for installation or reinstallation of the product (including but not limited to proper packaging and shipping costs), or for installation or reinstallation of the product.
- D. Accessories, connected materials and products, or related products not manufactured by Hansgrohe.

TO OBTAIN WARRANTY PARTS OR INFORMATION

Contact your Hansgrohe retailer, or contact Technical Service at:

Hansgrohe Inc.
1492 Bluegrass Lakes Parkway
Alpharetta GA 30004
Toll-free (800) 334-0455.

In requesting warranty service, you will need to provide

1. The sales receipt or other evidence of the date and place of purchase.
2. A description of the problem.
3. Delivery of the product or the defective part, postage prepaid and carefully packed and insured, to Hansgrohe Inc. 1492 Bluegrass Lakes Parkway, Alpharetta, Georgia 30004, Attention: Technical Service, if required by Hansgrohe.

When warranty service is completed, any repaired or replacement product or part will be returned to you postage prepaid.

EXCLUSIONS AND LIMITATIONS

REPAIR OR REPLACEMENT (OR, IN LIMITED CIRCUMSTANCES, REFUND OF THE PURCHASE PRICE) AS PROVIDED UNDER THIS WARRANTY IS THE EXCLUSIVE REMEDY OF THE PURCHASER. HANSGROHE NEITHER ASSUMES NOR AUTHORIZES ANY PERSON TO CREATE FOR IT ANY OBLIGATION OR LIABILITY IN CONNECTION WITH THIS PRODUCT.

HANSGROHE SHALL NOT BE LIABLE TO PURCHASER OR ANY PERSON FOR ANY INCIDENTAL, SPECIAL, OR CONSEQUENTIAL DAMAGES, ARISING OUT OF BREACH OF THIS WARRANTY OR ANY IMPLIED WARRANTY (INCLUDING MERCHANTABILITY).

Some States do not allow the exclusion or limitation of incidental or consequential damages, so the above limitation or exclusion may not apply to you. This warranty gives you specific legal rights, and you may have other rights which vary from State to State. You may be required by law to give us a reasonable opportunity to correct or cure any failure to comply before you can bring any action in court against us under the Magnuson-Moss Warranty Act.

PRODUCT INSTRUCTIONS AND QUESTIONS

Upon purchase or prior to installation, please carefully inspect your Hansgrohe product for any damage or visible defect. Prior to installing, always carefully study the enclosed instructions on the proper installation and the care and maintenance of the product. If you have questions at any time about the use, installation, or performance of your Hansgrohe product, or this warranty, please call or write to us or call us toll-free at 800 334 0455.

hansgrohe

Hansgrohe, Inc. • 1490 Bluegrass Lakes Parkway • Alpharetta, GA 30004
Tel. 770-360-9880 • Fax 770-360-9887

www.hansgrohe-usa.com

Download from Www.Somanuals.com. All Manuals Search And Download.

Free Manuals Download Website

<http://myh66.com>

<http://usermanuals.us>

<http://www.somanuals.com>

<http://www.4manuals.cc>

<http://www.manual-lib.com>

<http://www.404manual.com>

<http://www.luxmanual.com>

<http://aubethermostatmanual.com>

Golf course search by state

<http://golfingnear.com>

Email search by domain

<http://emailbydomain.com>

Auto manuals search

<http://auto.somanuals.com>

TV manuals search

<http://tv.somanuals.com>