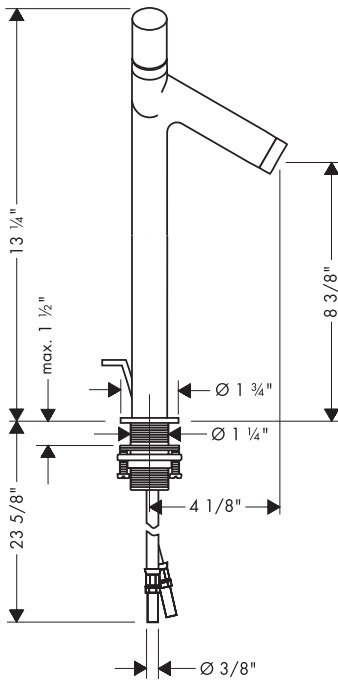
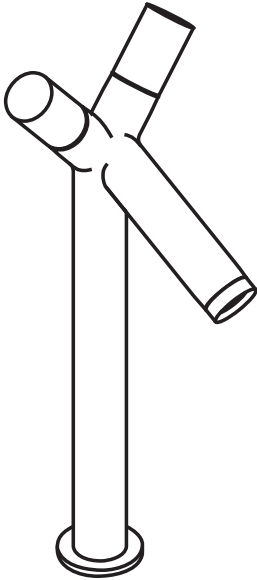


Axor Starck 2-Handle Lav Mixer, Tall

10050XX1



Product Features

- Single-hole mounting
- 90° ceramic cartridges
- Award-winning design
- Created for vessel type sinks
- Cascade no-clog aerator
- 2.2 gpm max.
- Includes pop-up drain

Code Compliance

This unit meets or exceeds the following:

- ASME A112.18.1
- CSA B125.1
- Listed by IAPMO
- Approved for use in Massachusetts

Available Finishes

Chrome	10050001
Brushed Nickel	10050821

Optional Accessories

Grid drain, chrome	06400000
Grid drain, brushed nickel	06400820

Installation Notes

- 3/8" supply hoses - requires 3/8" compression fittings

The measurements shown are for reference only.

Products and specifications shown are subject to change without notice.

Specification sheet revised 1/2008

AXOR[®]
hansgrohe

Free Manuals Download Website

<http://myh66.com>

<http://usermanuals.us>

<http://www.somanuals.com>

<http://www.4manuals.cc>

<http://www.manual-lib.com>

<http://www.404manual.com>

<http://www.luxmanual.com>

<http://aubethermostatmanual.com>

Golf course search by state

<http://golfingnear.com>

Email search by domain

<http://emailbydomain.com>

Auto manuals search

<http://auto.somanuals.com>

TV manuals search

<http://tv.somanuals.com>