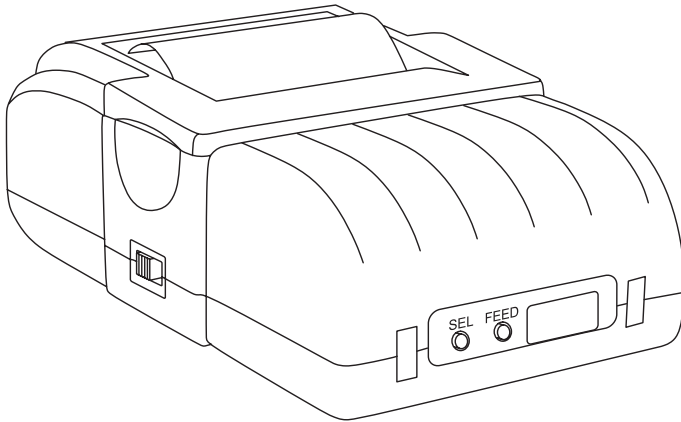


Portable Wireless IrDA Printer

Instruction 24-9422 Operation & Maintenance

Rev. 0 – September 2001



WARRANTY

Bacharach, Inc. warrants to Buyer that at the time of delivery this Product will be free from defects in material and manufacture and will conform substantially to Bacharach Inc.'s applicable specifications. Bacharach's liability and Buyer's remedy under this warranty are limited to the repair or replacement, at Bacharach's option, of this Product or parts thereof returned to Seller at the factory of manufacture and shown to Bacharach Inc.'s reasonable satisfaction to have been defective; provided that written notice of the defect shall have been given by Buyer to Bacharach Inc. within six (6) months after the date of delivery of this Product by Bacharach, Inc.

Bacharach, Inc. warrants to Buyer that it will convey good title to this Product. Bacharach's liability and Buyer's remedy under this warranty of title are limited to the removal of any title defects or, at the election of Bacharach, to the replacement of this Product or parts thereof that are defective in title.

THE FOREGOING WARRANTIES ARE EXCLUSIVE AND ARE GIVEN AND ACCEPTED IN LIEU OF (I) ANY AND ALL OTHER WARRANTIES, EXPRESS OR IMPLIED, INCLUDING WITHOUT LIMITATION THE IMPLIED WARRANTIES OF MERCHANTABILITY AND FITNESS FOR A PARTICULAR PURPOSE: AND (II) ANY OBLIGATION, LIABILITY, RIGHT, CLAIM OR REMEDY IN CONTRACT OR TORT, WHETHER OR NOT ARISING FROM BACHARACH'S NEGLIGENCE, ACTUAL OR IMPLIED. The remedies of the Buyer shall be limited to those provided herein to the exclusion of any and all other remedies including, without limitation incidental or consequential damages. No agreement varying or extending the foregoing warranties, remedies or this limitation will be binding upon Bacharach, Inc. unless in writing, signed by a duly authorized officer of Bacharach.

Note: *The battery pack is considered a consumable item, and is excluded from the terms of this warranty.*

**Register Your Warranty On-Line by Visiting
www.bacharach-inc.com**

Notice:

Product improvements and enhancements are continuous, therefore the specifications and information contained in this document may change without notice.

Bacharach, Inc. shall not be liable for errors contained herein or for incidental or consequential damages in connection with the furnishing, performance, or use of this material.

No part of this document may be photocopied, reproduced, or translated to another language without the prior written consent of Bacharach, Inc.

Copyright © 2001, Bacharach, Inc., all rights reserved.

BACHARACH® is a registered trademark of Bacharach, Inc.

All other trademarks, trade names, service marks and logos referenced herein belong to their respective companies.

Contents

Description	1
General	1
Features	1
Battery Charger / Power Supply	1
Belt Clip	1
Power Switch	2
Indicator LEDs	2
Pushbuttons	2
Connectors	2
Sensors	3
Technical Characteristics.....	4
Operation	5
Precautions	5
Self Test	5
Set-Up Mode	6
Using the Printer	7
Maintenance	8
Cleaning the Printer	8
Opening / Closing the Paper Cover	8
Cleaning the Print Head	8
Installing the Paper	9
Parts & Service	10
Replacement Parts	10
Sales / Service Centers	10

Notes:

Description

General

Bacharach's portable wireless printer uses infrared technology to communicate with other Bacharach instruments that are capable of transmitting data using the Infrared Data Association (IrDA) standard.

The printer is designed around a patented easy-loading paper mechanism, which consists of a main cavity into which a paper roll is dropped for loading. The thermal print head is at the front of the cavity and a rubber roller is attached to the lid of the mechanism. When the lid is closed, the paper is pinched between the rubber roller and the print-head to give a close alignment and a consistent pressure.

Features

- Small size
- Quiet and fast printing
- Direct line thermal printing
- Typically 1,000 printouts from a fully charged battery pack
- Easy loading paper
- Easy maintenance and head cleaning
- User settable printer parameters using external pushbuttons
- Self-test function

AC Adapter / In-Car Charger

The supplied AC adapter (either 120 or 230 VAC) or 12 V in-car charger can be used to either charge the battery pack, or both charge the battery and run the printer when the battery is partially discharged.

Important! *The AC adapter and in-car charger cannot operate the printer with the battery pack removed, or when the battery pack is completely discharged.*

Belt Clip

If desired, the supplied belt clip and screws can be installed to allow the printer to be attached to a vertical surface or carried on a belt.

Power Switch

Use the Power switch located on the left side of the printer to turn the unit ON and OFF (see Figure 1).

Indicator LEDs

There are two LEDs on the front panel that provide the following information about the printer's status:

- **Power (Green):** The Power LED glows green when the printer is turned ON.
- **Battery (Red):** The Battery LED glows red when the battery is being charged. This LED flashes when the battery is fully charged, and turns OFF when the battery charger is disconnected.
- **Error (Green):** The Power LED flashes once-a-second when: 1) the printer is out of paper, 2) when the paper cover is opened, or 3) when the printing head temperature exceeds 140 °F (60 °C).

Pushbuttons

There are two pushbuttons located on the front panel that perform the following functions:

- **FEED:** Momentarily press this button to advance the paper. Pressing and holding down the button causes the paper to feed continuously. This button is also used to start the printer's self test (refer to Section *Self Test*).
- **SEL:** Press this button to enter the printer's set-up mode (refer to Section *Set-Up Mode*).

Connectors

Two connectors located on the right side of the printer provide the following functions:

- **Power:** Connect the AC adapter or in-car charger to this connector to charge the battery pack, or directly power the printer.
- **RS-232C:** Not used in conjunction with Bacharach instruments.

Sensors

There are three sensors that perform the following functions:

- **Paper Cover:** When the paper cover is open the printer is disabled to prevent damage to the print head. This condition is indicated by the Power LED flashing.
- **Paper Out:** When the paper roll runs out, the printer is disabled to prevent damage to the print head. This condition is indicated by the Power LED flashing.
- **IrDA:** Located at the front of the printer, this sensor accepts the infra-red signal from the instrument.

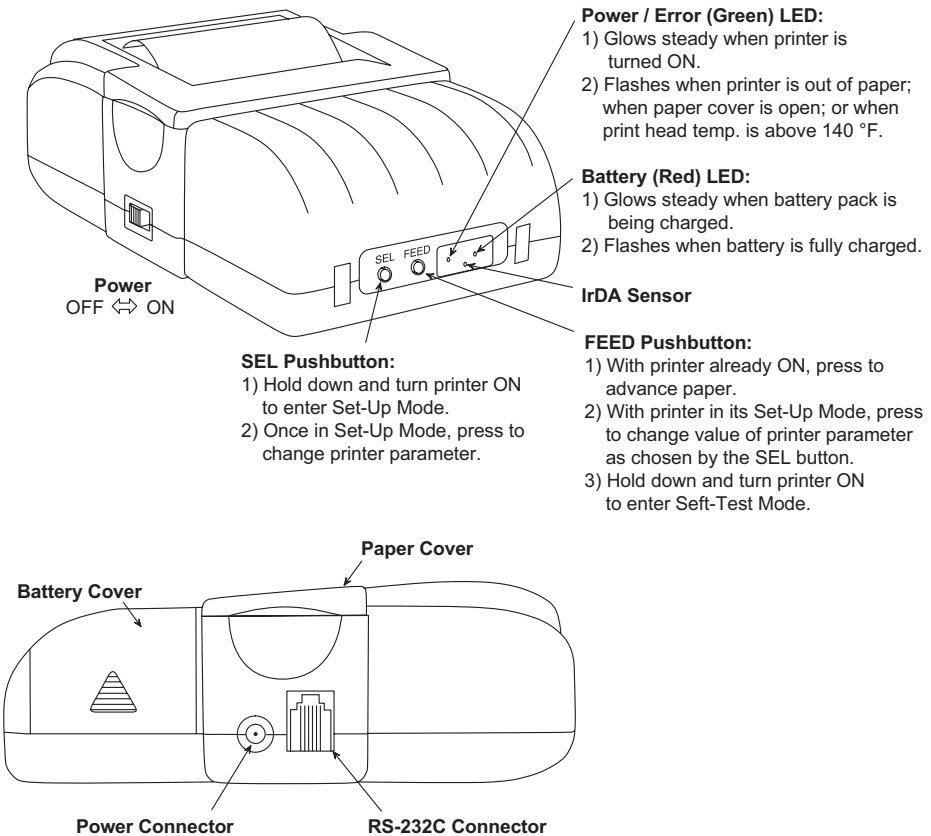


Figure 1. Component Locations and Functions

Technical Characteristics

Printing Method	Direct thermal
Number of Columns	32 columns, 384 dots/line
Character Size	0.06 x 0.12 in. (1.5 x 3.0 mm)
Line Pitch	0.1 in (4.0 mm)
Paper Width	2.25 in. (57.5 mm)
Interface	IrDA and Serial (RS-232C)
International Characters	U.S.A., France, U.K., Denmark I, Sweden, Italy, Spain, Japan, Norway, Denmark II, Korea
Buffer	7 kB
Baud Rate	2400 – 11,5200 bps
Power Requirement	12 V, 1.2A (with battery) 12 V, 3 A (without battery)
Battery Pack	Lit-ion, 7.2 V, 1650 mAh
Weight	13 oz (0.4 kg)
Dimensions	3.6 x 5.5 x 2.0 in. (92 x 140 x 51 mm)

Operation

Precautions

To ensure the proper operation of the printer and prevent the possibility of voiding the warranty, be sure to observe the following precautions:

- Avoid dirty or dusty locations, or those with excessive heat or humidity
- Choose a stable level or solid wall on which to mount the printer
- Use only the supplied power adapter to charge the battery pack
- Ensure that the AC adapter will be plugged into the correct source of AC power
- Use only the supplied thermal paper or its replacement part

Self Test

The self-test mode checks the printer's control circuit functions, setting parameters, software version, and printer quality.

1. Before running the self test, make sure there is sufficient paper to run the test (18" [46 cm]); the paper cover is closed; and that the printer is switched OFF.
2. Press and hold down the FEED pushbutton; then switch ON the printer to begin the test.

Note: *The test can be aborted by switching OFF the printer.*

3. The following typical information is printed, followed by the printer's complete character set:

Version : 1.1.6
Data bit : 8 bit
Parity : None
Baud rate : 9600 bps
Handshaking : DTR
Country : U.S.A.
Print mode : Text (upright)
Paper : Normal paper
Density : 100%
IrDA : IrDA-SIR
Buffer size : 7000Byte
Head volt : 7.1V
Head temp. : 31°C

Set-Up Mode

The printer has been set up at the factory with the following default parameters:

Baud rate : 9600 bps
 Handshaking : DTR
 Country : U.S.A.
 Print mode : Text (upright)
 Paper : Normal paper
 IrDA : IrDA-SIR

If necessary, the default parameters can be changed as follows:

1. With the printer initially switched OFF, press and hold down the SEL pushbutton; then switch the printer ON.
2. The printer now goes into its set-up mode and prints its current parameter status. Observe that the green Power LED flashes to indicate that the printer is in its set-up mode.

Note: *If no pushbuttons are pressed within 15 seconds, the set-up mode is automatically terminated without changing the original parameters.*

3. Baud rate is first parameter printed. Pressing the FEED button causes the value of that parameter to change in the sequence shown in the following table.

SEL Button	FEED Button
Baud rate	2400, 4800, 9600, 19200, 38400, 57600, 115200
Handshaking	DTR, X-on/X-off
Country	U.S.A., Korea, Cyrillic, Denmark2, Norway, Japanese, Spain, Italy, Sweden, Denmark1, U.K., Germany, France
Print mode	Text(upright), Data(inverted)
Paper	Normal paper, Reprint paper
Density	50 – 150% in 5% steps
IrDA	Chamjin-Ir, IrDA-Sir, BHT-Ir(DENSO), EL-ME-Ir


4. Press the SEL button to print the next parameter; then, if necessary, use the FEED button to change that parameter to the desired value.
5. Once all parameters have been set, press and hold down the SEL button then press the FEED button.

Using the Printer

Turn ON the printer and, if necessary, set it up as previously described under the heading *Set-Up Mode*. Also ensure that the instrument that is sending data to the printer is set up to operate in its IrDA print mode (refer to the instrument's instruction manual for set up information).

Align the printer's infrared sensor to that of the instrument and begin printing as described in the instrument's instruction manual.

Maintenance

 **WARNING!** Remove all electrical connections before performing any maintenance work.

Cleaning the Printer

External surfaces of the printer may be kept clean by simply wiping with a damp cloth. *Do not* use any solvents that may attack the plastic case. Be sure that the inside surfaces are kept dry at all times, and that the external surfaces are thoroughly dry before re-making any electrical connections.

Opening / Closing the Paper Cover

From underneath the printer, use your thumb and forefinger to push up on the paper cover until it releases from its latches (see Figure 2.)

Close the cover by pushing down until it snaps into place.

Cleaning the Print Head

To maintain a good print quality, it is recommended that the print head be cleaned at least once a year or up to once a month if the printer is used heavily. The print head should be cleaned immediately, however, if the print becomes visibly fainter due to contamination of the print head.


Clean the print head as follows:

Material Required:

- Isopropyl Alcohol
- Cotton swabs

Procedure:

1. Switch OFF printer.

 **CAUTION:** Allow the print head to cool before cleaning, otherwise damage to the print head may occur.

2. Open paper cover and remove paper roll.

3. Using a cotton swab dampened with alcohol, wipe the heating dots of the print head. *Be careful not to touch the heating dots with your fingers.*
4. Allow the alcohol to dry.
5. Reload the paper and close the paper cover.

Installing the Paper

Replace the paper when it runs out as indicated by the front panel green Power LED flashing.

1. Open the paper cover as previously described.
2. Remove the spent paper core.
3. Drop in a new paper roll so that it will rotate in the direction shown in Figure 2.
4. Insert edge of paper roll into slot in cover next to cutter; then close cover. Remove any slack by pulling out about ½ inch of paper from the printer.

Note: *If there was unprinted data in memory when the paper ran out, and the printer was not shut OFF, then the printer will automatically go on-line and print the remaining data 5 seconds after closing the paper cover.*

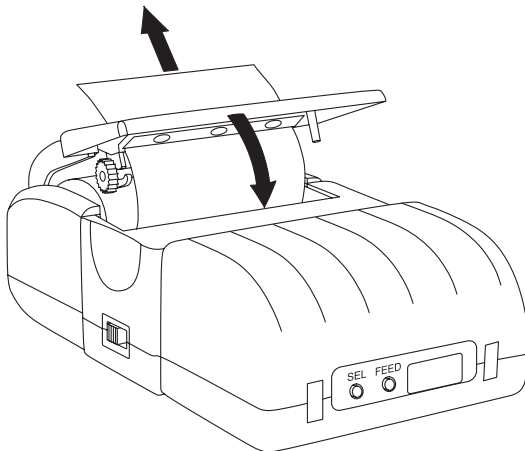


Figure 2. Installing the Paper

Parts & Service

Replacement Parts

	Part No.
Complete Printer Kits:	
120VAC: includes printer, 120V AC adapter, 12V in-car charger, belt clip, and instruction manual	24-1229
230VAC: includes printer, 230V AC adapter, 12V in-car charger, belt clip, and instruction manual	24-1230
Paper roll, thermal	06-8733
Battery pack, rechargeable 7.2V, Lit-ion	24-1244
AC adapter:	
120 VAC	24-1243
230 VAC	24-1245
12V in-car charger	24-1250

Sales / Service Centers

United States

California

7281 Garden Grove Blvd.,
Suite H
Garden Grove, CA 92841
Phone: 714-895-0050
Fax: 714-895-7950
E-mail: calservice@bacharach-
inc.com

Indiana

8618 Louisiana Place
Merrillville, IN 46410
Phone: 219-736-6178
Fax: 219-736-6269
E-mail: indservice@bacharach-
inc.com

New Jersey

7300 Industrial Park
Rte. 130, Bldg. 22
Pennsauken, NJ 08110
Phone: 856-665-6176
Fax: 856-665-6661
E-mail: njservice@bacharach-inc.com

Pennsylvania

621 Hunt Valley Circle
New Kensington, PA 15068
Phone: 724-334-5051
Fax: 724-334-5723
E-mail: help@bacharach-inc.com

Texas

5151 Mitchelldale, B-4
Houston, TX 77092
Phone: 713-683-8141
Fax: 713-683-9437
E-mail: txservice@bacharach-inc.com

Canada

Bacharach of Canada, Inc.
250 Shields Court Unit #3
Markham, Ontario L3R 9W7
Canada
Phone: 905-470-8985
Fax: 905-470-8963
E-mail: bachcan@idirect.com

México

Bacharach de México
Playa Regatas No. 473 Tercer Piso
Col. Militar Marte
Delegación Iztacalco, 08830
México D.F.
México
Phones: 011-5255-5634-7740
011-5255-5634-7741
FAX: 011-5255-5634-7738
E-mail: bacharach@prodigy.net.mx

Europe

European Headquarters

Bacharach Instruments
Sovereign House, Queensway
Leamington Spa
Warwickshire CV31 3JR
England
Phone: +44 1926 338111
Fax: +44 1926 338110

Sales / Service Center - Denmark

Bacharach Instruments Int'l
P.O. Box 44
39 Lindegade
DK 6070 Christiansfeld
Denmark
Phone: +45 74 563171
Fax: +45 74 563178
E-mail: mail@bacharach.dk



World Headquarters

621 Hunt Valley Circle, New Kensington, PA 15068

Ph: 724-334-5000 • Fax: 724-334-5001 • Toll Free: 800-736-4666

Website: www.bacharach-inc.com • E-mail: help@bacharach-inc.com

Free Manuals Download Website

<http://myh66.com>

<http://usermanuals.us>

<http://www.somanuals.com>

<http://www.4manuals.cc>

<http://www.manual-lib.com>

<http://www.404manual.com>

<http://www.luxmanual.com>

<http://aubethermostatmanual.com>

Golf course search by state

<http://golfingnear.com>

Email search by domain

<http://emailbydomain.com>

Auto manuals search

<http://auto.somanuals.com>

TV manuals search

<http://tv.somanuals.com>