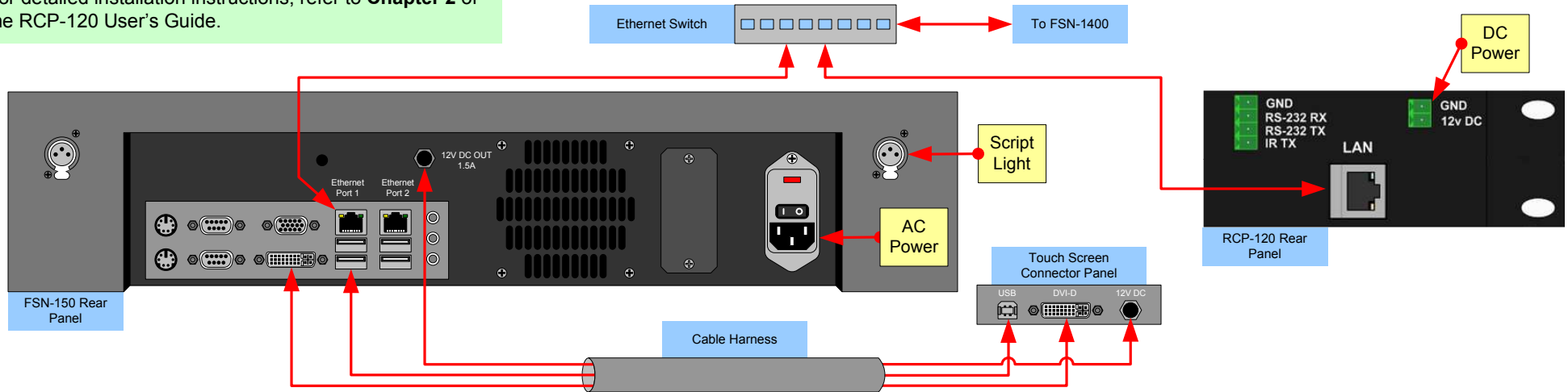


RCP-120 Installation: System Connections

For detailed installation instructions, refer to **Chapter 2** of the RCP-120 User's Guide.



RCP-120 Setup



RCP-120 setup is comprised of 10 sequences, each of which includes several steps.

For error-free setup, always refer to either the FSN User's Guide, indicated by the blue circles or the RCP-120 Users Guide, indicated by the green circles.

- 1 **General FSN System Setup** — Follow the steps outlined in **Chapter 6** of the **FSN User's Guide** to setup the FSN System before connecting the RCP-120 devices.
- 2 **FSN Aux Setup** — Refer to **Aux Setup** in **Chapter 6** of the **FSN User's Guide** to configure the Aux Outputs on the FSN system.
- 3 **Verify Aux Output Configuration** — Ensure the Aux Outputs are working as expected by following the steps outlined in the **Working with Aux Buses** section in **Chapter 7** of the **FSN User's Guide**.
- 4 **Install the RCP-120 Devices** — Use a standard Ethernet cable to connect the LAN port on the RCP-120 to the Ethernet switch used to connect the FSN-1400 and Ethernet Port 1 of the FSN Controller.

- 5 **Communications Setup** — Make sure each RCP-120 has a unique IP Address, compatible with the FSN network. Use a computer attached to the same network to browse to the RCP-120 Web Interface and change the IP Address if necessary. Refer to **Chapter 3** in the RCP-120 User's Guide.
- 6 **Remote Panel Name** — (Optional) Give the RCP-120 a unique name. Browse to the RCP-120 Web Interface and update the **Host Name** to uniquely identify each panel. Refer to **Chapter 3** in the RCP-120 User's Guide.
- 7 **Setup Panels in the FSN Controller** — On the **Assign Remote Panels Menu**, under the **System, Other Setup Menu**, press **{Discover Remote Panels}** to search the FSN network and populate the Remote Panel Table. Refer to **Chapter 4** in the RCP-120 User's Guide.
- 8 **Assign Aux Outputs** — On the **Assign Remote Panels Menu**, select the appropriate RCP-120 panel and press the **{Assign Aux}** button. In the **Select Aux Output Pop-up** that appears, select the Aux Output that will be controlled by this RCP-120. Repeat this step for any additional devices. When finished, press the **{Close}** button to clear the pop-up.
- 9 **Saving the Setup** — On the **System Menu**, press **{Save All}** to save all system parameters to non-volatile memory, including input and output setups, button mappings, tallies, user preferences and more. Refer to **Chapter 6** in the FSN User's Guide.
- 10 **Backing up the System** — Insert a USB drive into the **USB Port**. On the **Backup and Restore Menu**, press **{Backup System}** to back up the system setup and all memory registers. Refer to **Chapter 6** in the FSN User's Guide.

Download from www.Somanuals.com. All Manuals Search And Download.

Understanding Button Color

| Button Number | Example | Description |
|---------------|---------|--|
| 1 - 10 | | Video inputs are valid. |
| 1 - 10 | | Invalid video. This message can appear if the input format does not match the selected native resolution, or if the input signal is not locked to the system's video reference input. Navigate to the Input Menu on the FSN Controller, and check the color of the connector in question to verify the physical input's condition. |
| 1 - 10 | | The currently selected input. |
| 11 | | When the SHIFT button is Green, buttons 1 - 10 on the RCP-120 will select Sources 1 - 10 as defined on the FSN Controller. |
| 11 | | When the SHIFT button is Amber, buttons 1 - 10 on the RCP-120 will select Sources 11 - 20 as defined on the FSN Controller. |
| 12 | | Indicates that the AUX Output controlled by the panel is defined as a Mixer type, "Mixer", "Mixer - PGM" or "PGM/PVW". |
| 12 | | Indicates that the AUX Output controlled by the panel is defined as "Standard". |
| 1 - 12 | | When all 12 buttons are Green but do not contain any text, this indicates the RCP-120 is connected to the FSN Controller but is not currently mapped to any Aux Output. |

Working with the RCP-120

Stages of Use

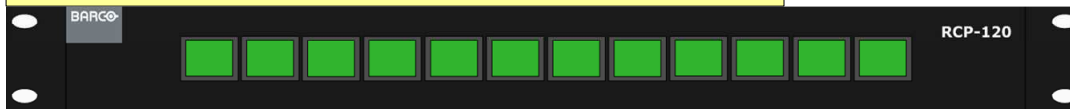
Before Power is Applied



Power Just Applied or Connection to FSN Controller Lost



Connection to FSN Controller established – Panel NOT assigned to AUX Output



Connection to FSN Controller established – Panel assigned to Standard Aux



Connection to FSN Controller established – Panel assigned to Aux Mixer



Display IP / MAC Address and Firmware Version

Press and hold buttons 11 and 12 for several seconds to display the current IP Address, MAC Address and Firmware Version for the RCP-120



Configuration Menus

RCP-120 Web Interface

Use a computer to browse to the RCP-120 Web Interface. In the browser's address bar, type `http://<IP Address>`. For example: `http://192.168.0.100`
Default User: **admin** -- Default Password: **admin**

RCP-120 Configuration

Status: Serial # **9707000005**
MAC Address : **00:11:02:90:C3:55**
Current IP Address : **192.168.0.100**
Subnet Mask : **255.255.255.0**
Default Gateway : **192.168.0.1**
Current Script : **aux1-script.pad**
Firmware Version : **01.22** [Update]

NOTE
Use the RCP-120 Configuration web page to configure the device for use on the FSN network.

- **Static IP Address** needs to be unique for each panel on the network.
- **Host Name** can be set to give the panel a unique name that will be shown in the FSN Assign Remote Panels menu.
- **Master Controller IP Address** needs to be set to the IP Address of the FSN Controller.

Network Configuration: DHCP ON OFF

192.168.0.100 Static IP Address
255.255.255.0 Subnet Mask
192.168.0.1 Gateway
RCP-120 Host Name
192.168.0.5 Master Controller IP Address

Assign Remote Panels FSN Menu

Conflicting IP Addresses
Use the RCP-120 Web Interface to correct the conflict, then press **Discover Remote Panels** to clear the error in the menu.

System Menu > Other Setup > Assign Remote Panels

Assign Aux Output to Remote Control Panel

| Aux | Aux Name | Remote Panel Name | IP Address | Status |
|-----|-----------|-------------------|--------------|--------|
| 1 | RT PGM | RCP-120 | 192.168.0.35 | Green |
| 3 | RT PGM | CAMERA1 | 192.168.0.36 | Yellow |
| 3 | RT PGM | RCP-120 | 192.168.0.37 | Red |
| 3 | RT PGM | CAMERA2 | 192.168.0.37 | Red |
| 4 | RT PVW | SAT+1+PVW | 192.168.0.39 | Green |
| 2 | LT PVW | SAT+2+PVW | 192.168.0.40 | Red |
| 0 | Green Rtn | CAMERA3 | 192.168.0.41 | Green |
| | | RCP-120 | 192.168.0.42 | Yellow |
| | | RCP-120 | 192.168.0.43 | Red |

Discover panels and Assign Aux Outputs to the selected panel.

Status

- Panel Not Connected
- Panel Connected but Not Assigned
- Panel Connected and Assigned

RCP-120 User's Guide

For complete details on the RCP-120 panel, all menus, and all installation, setup, configuration and operations procedures, please refer to the RCP-120 User's Guide located on the Barco Website or at ftp.folsom.com/Image Processing/RCP-120.

Free Manuals Download Website

<http://myh66.com>

<http://usermanuals.us>

<http://www.somanuals.com>

<http://www.4manuals.cc>

<http://www.manual-lib.com>

<http://www.404manual.com>

<http://www.luxmanual.com>

<http://aubethermostatmanual.com>

Golf course search by state

<http://golfingnear.com>

Email search by domain

<http://emailbydomain.com>

Auto manuals search

<http://auto.somanuals.com>

TV manuals search

<http://tv.somanuals.com>