

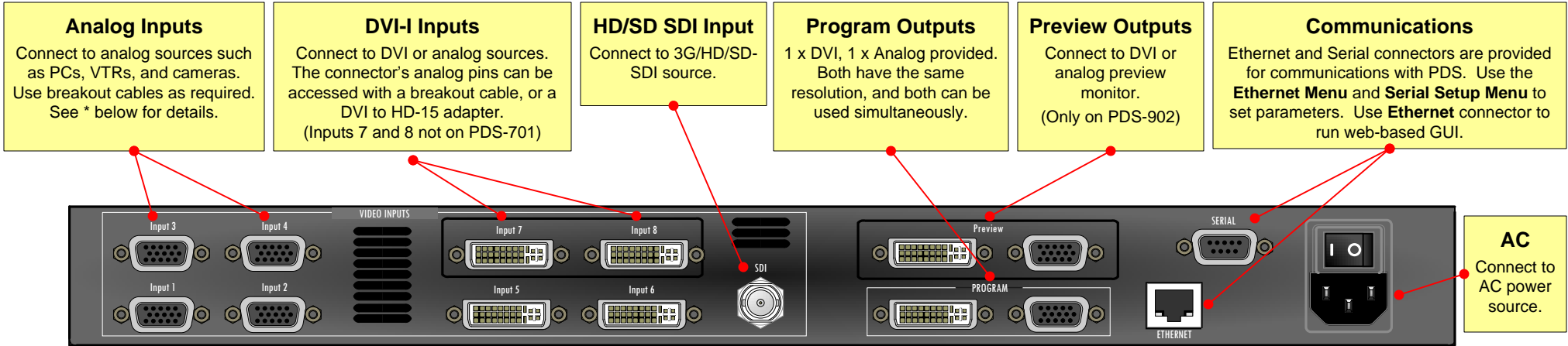
Quick Setup and Operations



The following list summarizes PDS setup and operations. For error-free installation, always refer to the listed section in the User's Guide.

- 1 **Connect Power** — Ensure that power is properly connected to the PDS. (Chapter 3, "Cable and Adapter Information")
- 2 **Connect Inputs** — Connect all analog, DVI, and SDI input sources to the PDS. (Chapter 3, "Signal Installation")
- 3 **Connect Outputs** — Connect the output(s) of the PDS to your projector(s) or other target devices. (Chapter 3, "Signal Installation")
- 4 **Power On** — Turn on power to the PDS, your projector(s), and to all peripheral equipment. (Chapter 4, "Power-Up Initialization")

- 5 **Factory Reset** — When using a PDS for the first time, perform a factory reset. (Chapter 4, "Factory Reset Menu")
- 6 **Launch GUI** — (Optional) Connect your laptop to the PDS, log onto the PDS using its IP address, and launch the GUI. (Chapter 5, "GUI Operations")
- 7 **Set Output Format** — Set the desired output resolution and frame rate. (Chapter 4, "Output Format")
- 8 **Enable Test Pattern** — Turn on a test pattern, verify an image, and adjust as required. When complete, turn off the pattern. (Chapter 4, "Test Pattern")
- 9 **Save Output Configuration** — After completing all output adjustments, save the output configuration. (Chapter 4, "Save Config")
- 10 **Select and Adjust Input** — Select an input, and perform the necessary image adjustments. (Chapter 4, "Input Menu")
- 11 **Save Input Configuration** — After completing all adjustments for an input, save the input configuration. (Chapter 4, "Save Config")
- 12 **Repeat for Each Input** — Repeat steps 10 and 11 for each input that you have connected to the PDS.
- 13 **Adjust System Parameters** — Adjust parameters such as transition time, display brightness, user prefs. (Chapter 4, "User Preference Menu," "System Menu")
- 14 **Save System Configuration** — After completing all system adjustments, save the system configuration. (Chapter 4, "Save System State")
- 15 **Enable Remote Control** — (Optional) Connect Ethernet or Serial communications, and issue desired commands. (Appendix B, "Remote Control")
- 16 **Ready to Roll** — With all output, input and system configurations saved, press the desired input button, and press **TAKE**.



Status Menu

```

PROGRAM:      RGB
             1024x768 @59.94
NEXT:         SDI
             NTSC (480i)
    
```

← Program Input Type
← Program Input Format
← Next Input Type
← Next Input Format

Sample Status Menu

- Input Type** — Specifies the type of input signal currently on Program.
- Input Format** — Indicates video format on Program. If the input is not valid, "Invalid Signal" is shown.
- Next Input Type** — Indicates next Program input type, plus HDCP status (if applicable).
- Next Input Format** — Indicates next Program input format.

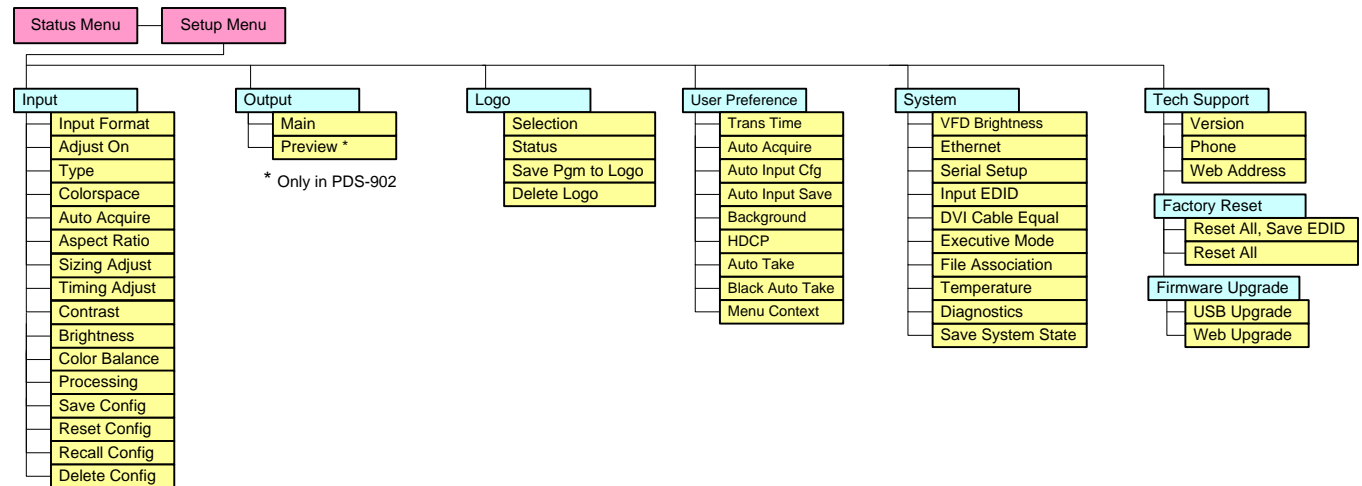
IMPORTANT

For HDCP sources, ensure the Output Display device is HDCP-compliant. Otherwise, the display device will be blacked when protected content is selected to be shown on that output.

NOTE

- To display the **Setup Menu** from the **Status Menu**, press **SEL**.
- To return to the **Status Menu** from any point in the **Setup Menu**, press **ESC** repeatedly.

Menu Tree — only top level functions are shown



* Breakout Cables for Analog Inputs

Use this table to connect various source formats to the PDS, using the system's analog input connectors (Inputs 1 - 8).

Breakout Cable Wire Color	Comp Video	S-Video (Y/C)	YUV (YpBPr)	RGB Sync on Green	RGB Comp Sync	RGB Separate H V
R	Red		✓ (Pr)	✓	✓	✓
G	Green	✓ (Lum)	✓ (Lum)	✓	✓	✓
B	Blue	✓ (Chrom)	✓ (Pb)	✓	✓	✓
H Sync					✓	✓
V Sync						✓

For complete details on all installation, setup, and operating procedures, refer to the **PDS User's Guide**.

Free Manuals Download Website

<http://myh66.com>

<http://usermanuals.us>

<http://www.somanuals.com>

<http://www.4manuals.cc>

<http://www.manual-lib.com>

<http://www.404manual.com>

<http://www.luxmanual.com>

<http://aubethermostatmanual.com>

Golf course search by state

<http://golfingnear.com>

Email search by domain

<http://emailbydomain.com>

Auto manuals search

<http://auto.somanuals.com>

TV manuals search

<http://tv.somanuals.com>