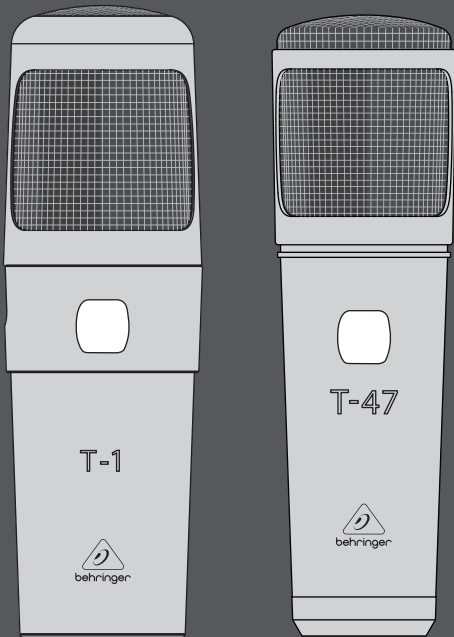


EN

ES

FR



## Quick Start Guide

Check out [behringer.com](http://behringer.com) for expanded Owner Manuals



# TUBE CONDENSER MICROPHONE T-1/T-47

Vacuum Tube Condenser Microphone


[behringer.com](http://behringer.com)





EN


## EN Important Safety Instructions





 Terminals marked with this symbol carry electrical current of sufficient magnitude to constitute risk of electric shock. Use only high-quality commercially-available speaker cables with ¼" TS plugs pre-installed. All other installation or modification should be performed only by qualified personnel.

 This symbol, wherever it appears, alerts you to the presence of uninsulated dangerous voltage inside the enclosure - voltage that may be sufficient to constitute a risk of shock.

 This symbol, wherever it appears, alerts you to important operating and maintenance instructions in the accompanying literature. Please read the manual.

 **Caution**  
To reduce the risk of electric shock, do not remove the top cover (or the rear section). No user serviceable parts inside. Refer servicing to qualified personnel.

 **Caution**  
To reduce the risk of fire or electric shock, do not expose this appliance to rain and moisture. The apparatus shall not be exposed to dripping or splashing liquids and no objects filled with liquids, such as vases, shall be placed on the apparatus.

 **Caution**  
These service instructions are for use by qualified service personnel only. To reduce the risk of electric shock do not perform any servicing other than that contained in the operation instructions. Repairs have to be performed by qualified service personnel.

1. Read these instructions.
2. Keep these instructions.
3. Heed all warnings.
4. Follow all instructions.
5. Do not use this apparatus near water.
6. Clean only with dry cloth.
7. Do not block any ventilation openings. Install in accordance with the manufacturer's instructions.
8. Do not install near any heat sources such as radiators, heat registers, stoves, or other apparatus (including amplifiers) that produce heat.

9. Do not defeat the safety purpose of the polarized or grounding-type plug. A polarized plug has two blades with one wider than the other. A grounding-type plug has two blades and a third grounding prong. The wide blade or the third prong are provided for your safety. If the provided plug does not fit into your outlet, consult an electrician for replacement of the obsolete outlet.

10. Protect the power cord from being walked on or pinched particularly at plugs, convenience receptacles, and the point where they exit from the apparatus.

11. Use only attachments/accessories specified by the manufacturer.



12. Use only with the cart, stand, tripod, bracket, or table specified by the manufacturer, or sold with the apparatus. When a cart is used, use caution when moving the cart/apparatus combination to avoid

injury from tip-over.

13. Unplug this apparatus during lightning storms or when unused for long periods of time.

14. Refer all servicing to qualified service personnel. Servicing is required when the apparatus has been damaged in any way, such as power supply cord or plug is damaged, liquid has been spilled or objects have fallen into the apparatus, the apparatus has been exposed to rain or moisture, does not operate normally, or has been dropped.

15. The apparatus shall be connected to a MAINS socket outlet with a protective earthing connection.

16. Where the MAINS plug or an appliance coupler is used as the disconnect device, the disconnect device shall remain readily operable.



## Legal Disclaimer

Technical specifications and appearance are subject to change without notice. The information contained herein is correct at the time of printing. All trademarks are the property of their respective owners. MUSIC Group accepts no liability for any loss which may be suffered by any person who relies either wholly or in part upon any description, photograph or statement contained herein. Colors and specifications may vary slightly from product. BEHRINGER products are sold through authorized dealers only. Distributors and dealers are not agents of MUSIC Group and have absolutely no authority to bind MUSIC Group by any express or implied undertaking or representation. This manual is copyrighted. No part of this manual may be reproduced or transmitted in any form or by any means, electronic or mechanical, including photocopying and recording of any kind, for any purpose, without the express written permission of Red Chip Company Ltd.

ALL RIGHTS RESERVED.  
© 2010 Red Chip Company Ltd.  
Trident Chambers, Wickhams Cay, P.O. Box 146,  
Road Town, Tortola, British Virgin Islands

## Limited Warranty

### § 1 Warranty

1 This limited warranty is valid only if you purchased the product from a BEHRINGER authorized dealer in the country of purchase. A list of authorized dealers can be found on BEHRINGER's website behringer.com under "Where to Buy", or you can contact the BEHRINGER office closest to you.

2 MUSIC Group\* warrants the mechanical and electronic components of this product to be free of defects in material and workmanship if used under normal operating conditions for a period of one (1) year from the original date of purchase (see the Limited Warranty terms in § 4 below), unless a longer minimum warranty period is mandated by applicable local laws. If the product shows any defects within the specified warranty period and that defect is not excluded under § 4, MUSIC Group shall, at its discretion, either replace or repair the product using suitable new or reconditioned product or parts. In case MUSIC Group decides to replace the entire product, this limited warranty shall apply to the replacement product for the remaining initial warranty period, i.e., one (1) year (or otherwise applicable minimum warranty period) from the date of purchase of the original product.

3 Upon validation of the warranty claim, the repaired or replacement product will be returned to the user freight prepaid by MUSIC Group.

4 Warranty claims other than those indicated above are expressly excluded.

PLEASE RETAIN YOUR SALES RECEIPT. IT IS YOUR PROOF OF PURCHASE COVERING YOUR LIMITED WARRANTY. THIS LIMITED WARRANTY IS VOID WITHOUT SUCH PROOF OF PURCHASE.

### § 2 Online registration

Please do remember to register your new BEHRINGER equipment right after your purchase at behringer.com under "Support" and kindly read the terms and conditions of our limited warranty carefully. Registering your purchase and equipment with us helps us process your repair claims quicker and more efficiently. Thank you for your cooperation!

### § 3 Return materials authorization

1 To obtain warranty service, please contact the retailer from whom the equipment was purchased. Should your BEHRINGER dealer not be located in your vicinity, you may contact the BEHRINGER distributor for your country listed under "Support" at behringer.com. If your country is not listed, please check if your problem can be dealt with by our "Online Support" which may also be found under "Support" at behringer.com. Alternatively, please submit an online warranty claim at behringer.com BEFORE returning the product. All inquiries must be accompanied by a description of the problem and the serial number of the product. After verifying the product's warranty eligibility with the original sales receipt, MUSIC Group will then issue a Return Materials Authorization ("RMA") number.

2 Subsequently, the product must be returned in its original shipping carton, together with the return authorization number to the address indicated by MUSIC Group.

3 Shipments without freight prepaid will not be accepted.

### § 4 Warranty Exclusions

1 This limited warranty does not cover consumable parts including, but not limited to, fuses and batteries. Where applicable, MUSIC Group warrants the valves or meters contained in the product to be free from defects in material and workmanship for a period of ninety (90) days from date of purchase.

2 This limited warranty does not cover the product if it has been electronically or mechanically modified in any way. If the product needs to be modified or adapted in order to comply with applicable technical or safety standards on a national or local level, in any country which is not the country for which the product was originally developed and manufactured, this modification/adaptation shall not be considered a defect in materials or workmanship. This limited warranty does not cover any such modification/adaptation, regardless of whether it was carried out properly or not. Under the terms of this limited warranty, MUSIC Group shall not be held responsible for any cost resulting from such a modification/adaptation.

3 This limited warranty covers only the product hardware. It does not cover technical assistance for hardware or software usage and it does not cover any software products whether or not contained in the product. Any such software is provided "AS IS" unless expressly provided for in any enclosed software limited warranty.

4 This limited warranty is invalid if the factory-applied serial number has been altered or removed from the product.

5 Free inspections and maintenance/repair work are expressly excluded from this limited warranty, in particular, if caused by improper handling of the product by the user. This also applies to defects caused by normal wear and tear, in particular, of faders, crossfaders, potentiometers, keys/buttons, guitar strings, illuminants and similar parts.

6 Damage/defects caused by the following conditions are not covered by this limited warranty:

- improper handling, neglect or failure to operate the unit in compliance with the instructions given in BEHRINGER user or service manuals;
- connection or operation of the unit in any way that does not comply with the technical or safety regulations applicable in the country where the product is used;
- damage/defects caused by acts of God/Nature (accident, fire, flood, etc) or any other condition that is beyond the control of MUSIC Group.

7 Any repair or opening of the unit carried out by unauthorized personnel (user included) will void the limited warranty.

8 If an inspection of the product by MUSIC Group shows that the defect in question is not covered by the limited warranty, the inspection costs are payable by the customer.

9 Products which do not meet the terms of this limited warranty will be repaired exclusively at the buyer's expense. MUSIC Group or its authorized service center will inform the buyer of any such circumstance. If the buyer fails to submit a written repair order within 6 weeks after notification, MUSIC Group will return the unit C.O.D. with a separate invoice for freight and packing. Such costs will also be invoiced separately when the buyer has sent in a written repair order.

10 Authorized BEHRINGER dealers do not sell new products directly in online auctions. Purchases made through an online auction are on a "buyer beware" basis. Online auction confirmations or sales receipts are not accepted for warranty verification and MUSIC Group will not repair or replace any product purchased through an online auction.

### § 5 Warranty transferability

This limited warranty is extended exclusively to the original buyer (customer of authorized retail dealer) and is not transferable to anyone who may subsequently purchase this product. No other person (retail dealer, etc.) shall be entitled to give any warranty promise on behalf of MUSIC Group.

### § 6 Claim for damage

Subject only to the operation of mandatory applicable local laws, MUSIC Group shall have no liability to the buyer under this warranty for any consequential or indirect loss or damage of any kind. In no event shall the liability of MUSIC Group under this limited warranty exceed the invoiced value of the product.

### § 7 Limitation of liability

This limited warranty is the complete and exclusive warranty between you and MUSIC Group. It supersedes all other written or oral communications related to this product. MUSIC Group provides no other warranties for this product.

### § 8 Other warranty rights and national law

1 This limited warranty does not exclude or limit the buyer's statutory rights as a consumer in any way.

2 The limited warranty regulations mentioned herein are applicable unless they constitute an infringement of applicable mandatory local laws.

3 This warranty does not detract from the seller's obligations in regard to any lack of conformity of the product and any hidden defect.

### § 9 Amendment

Warranty service conditions are subject to change without notice. For the latest warranty terms and conditions and additional information regarding MUSIC Group's limited warranty, please see complete details online at behringer.com.

\* MUSIC Group Macao Commercial Offshore Limited of Rue de Pequim No. 202-A, Macau Finance Centre 9/J, Macau, including all MUSIC Group companies

EN



## ES Instrucciones de seguridad



Las terminales marcadas con este símbolo transportan corriente eléctrica de magnitud suficiente como para constituir un riesgo de descarga eléctrica. Utilice solo cables de altavoz de alta calidad con clavijas TS de 6,3 mm pre-instaladas (puede adquirirlos en comercios especializados en audio). Cualquier otra instalación o modificación debe ser realizada únicamente por un técnico cualificado.



Este símbolo, siempre que aparece, le advierte de la presencia de voltaje peligroso sin aislar dentro de la caja; este voltaje puede ser suficiente para constituir un riesgo de descarga.



Este símbolo, siempre que aparece, le advierte sobre instrucciones operativas y de mantenimiento que aparecen en la documentación adjunta. Por favor, lea el manual.



**Atención**  
Para reducir el riesgo de descarga eléctrica, no quite la tapa (o la parte posterior). No hay piezas en el interior del equipo que puedan ser reparadas por el usuario. Si es necesario, póngase en contacto con personal cualificado.



**Atención**  
Para reducir el riesgo de incendio o descarga eléctrica, no exponga este aparato a la lluvia, humedad o alguna otra fuente que pueda salpicar o derramar algún líquido sobre el aparato. No coloque ningún tipo de recipiente para líquidos sobre el aparato.



**Atención**  
Las instrucciones de servicio deben llevarlas a cabo exclusivamente personal cualificado. Para evitar el riesgo de una descarga eléctrica, no realice reparaciones que no se encuentren descritas en el manual de operaciones. Las reparaciones deben ser realizadas exclusivamente por personal cualificado.

1. Lea las instrucciones.
2. Conserve estas instrucciones.
3. Preste atención a todas las advertencias.
4. Siga todas las instrucciones.
5. No use este aparato cerca del agua.
6. Limpie este aparato con un paño seco.
7. No bloquee las aberturas de ventilación. Instale el equipo de acuerdo con las instrucciones del fabricante.

8. No instale este equipo cerca de fuentes de calor tales como radiadores, acumuladores de calor, estufas u otros aparatos (incluyendo amplificadores) que puedan producir calor.

9. No elimine o deshabilite nunca la conexión a tierra del aparato o del cable de alimentación de corriente. Un enchufe polarizado tiene dos polos, uno de los cuales tiene un contacto más ancho que el otro. Una clavija con puesta a tierra dispone de tres contactos: dos polos y la puesta a tierra. El contacto ancho y el tercer contacto, respectivamente, son los que garantizan una mayor seguridad. Si el enchufe suministrado con el equipo no concuerda con la toma de corriente, consulte con un electricista para cambiar la toma de corriente obsoleta.

10. Coloque el cable de suministro de energía de manera que no pueda ser pisado y que esté protegido de objetos afilados. Asegúrese de que el cable de suministro de energía esté protegido, especialmente en la zona de la clavija y en el punto donde sale del aparato.

11. Use únicamente los dispositivos o accesorios especificados por el fabricante.



12. Use únicamente la carretilla, plataforma, trípode, soporte o mesa especificados por el fabricante o suministrados junto con el equipo. Al transportar el equipo, tenga cuidado para evitar daños y caídas al tropezar con algún obstáculo.

13. Desenchufe el equipo durante tormentas o si no va a utilizarlo durante un periodo largo.

14. Confíe las reparaciones únicamente a servicios técnicos cualificados. La unidad requiere mantenimiento siempre que haya sufrido algún daño, si el cable de suministro de energía o el enchufe presentaran daños, se hubiera derramado un líquido o hubieran caído objetos dentro del equipo, si el aparato hubiera estado expuesto a la humedad o la lluvia, si ha dejado de funcionar de manera normal o si ha sufrido algún golpe o caída.

15. Al conectar la unidad a la toma de corriente eléctrica asegúrese de que la conexión disponga de una unión a tierra.

16. Si el enchufe o conector de red sirve como único medio de desconexión, éste debe ser accesible fácilmente.



## Negación Legal

Las especificaciones técnicas y la apariencia de este aparato están sujetas a cambios sin previo aviso. La información contenida en este documento es correcta hasta la fecha de su impresión. Todas las marcas registradas son propiedad de sus respectivos dueños. MUSIC Group no acepta ningún tipo de responsabilidad por posibles daños y perjuicios sufridos por cualquier persona que se haya basado completamente o en parte en las descripciones, fotografías o explicaciones que aparecen en este documento. Los colores y especificaciones técnicas pueden variar ligeramente de un producto a otro. Los productos BEHRINGER son comercializados únicamente a través de distribuidores oficiales. Los distribuidores y mayoristas no son agentes de MUSIC Group, por lo que no están autorizados a conceder ningún tipo de contrato o garantía que obligue a MUSIC Group de forma expresa o implícita. Este manual está protegido por las leyes del copyright. Este manual no puede ser reproducido o transmitido, ni completo ni en parte, por ningún tipo de medio, tanto si es electrónico como mecánico, incluyendo el fotocopiado o registro de cualquier tipo y para cualquier fin, sin la autorización expresa y por escrito de Red Chip Company Ltd.

RESERVADOS TODOS LOS DERECHOS.  
© 2010 Red Chip Company Ltd.  
Trident Chambers, Wickhams Cay, P.O. Box 146,  
Road Town, Tortola, British Virgin Islands

## Garantía

### § 1 Garantía

1 Esta garantía limitada solo es válida si ha adquirido este producto en un distribuidor autorizado BEHRINGER en el país de compra. Puede encontrar un listado de los distribuidores autorizados en la página web de BEHRINGER (behringer.com) dentro de la sección "Donde comprar", o poniéndose en contacto con el centro BEHRINGER más cercano a Ud.

2 MUSIC Group\* garantiza que todas las piezas mecánicas y electrónicas de este aparato no tienen ningún defecto ni en materiales ni en mano de obra bajo condiciones de uso normales durante un periodo de un (1) año desde la fecha de compra original (vea más adelante el punto § 4 de esta garantía limitada), salvo que alguna normativa local obligue a un periodo mínimo de garantía superior. Si este aparato da muestras de cualquier tipo de avería, que no esté excluido de acuerdo al punto § 4 siguiente, dentro del periodo de garantía especificado, MUSIC Group podrá, a su propio criterio, sustituir o reparar el aparato usando para ello tanto piezas nuevas como recicladas. En el caso de que MUSIC Group decida sustituir el aparato completo, esta garantía limitada será aplicable a la unidad de sustitución durante el tiempo restante de la garantía inicial, es decir, un (1) año (o el mínimo legal aplicable de acuerdo a normativas locales) desde la fecha de compra del aparato original.

3 Una vez que sea aceptada una reclamación en periodo de garantía, el aparato reparado o sustituido será devuelto por MUSIC Group al usuario a portes pagados.

4 No será aceptada ninguna reclamación en periodo de garantía por motivos y cauces distintos a los indicados en este documento.

CONSERVE SU RECIBO DE COMPRA O FACTURA, DADO QUE ESO SUPONE SU PRUEBA DE COMPRA DE CARA A LA GARANTIA LIMITADA. ESTA GARANTIA LIMITADA QUEDARA ANULADA SI NO DISPONE DE PRUEBA DE COMPRA.

### § 2 Registro online

Después de la compra, no olvide registrar su nuevo aparato BEHRINGER dentro del apartado "Support" de nuestra página web, behringer.com y leer completamente los términos y condiciones de nuestra garantía limitada. El registrar su compra y los datos de este aparato nos ayudará a procesar cualquier reclamación de una forma más rápida y eficaz. ¡Gracias por su cooperación!

### § 3 Autorización de retorno de material

1 Para que este aparato pueda ser reparado deberá ponerse en contacto con el comercio en el que adquirió este aparato. En el caso de que no exista un distribuidor BEHRINGER en las inmediaciones, puede ponerse en contacto con el distribuidor BEHRINGER de su país, que encontrará dentro del apartado "Support" de nuestra página web behringer.com. En caso de que su país no aparezca en ese listado, acceda a la sección "Online Support" (que también encontrará dentro del apartado "Support" de nuestra página web) y compruebe si su problema aparece descrito y solucionado allí. De forma alternativa, envíenos a través de la página web behringer.com una solicitud online de soporte en periodo de garantía ANTES de devolvernos el aparato. Cualquier consulta o reclamación debe ir acompañada por una descripción del problema y por el número de serie del aparato. Una vez que hayamos verificado que el aparato se encuentra dentro del periodo de garantía a través del recibo de compra original, MUSIC Group le remitirá un número de autorización de devolución de aparatos ("RMA").

2 Posteriormente, deberá devolvernos el aparato dentro de su embalaje original, junto con el número de autorización que le haya sido facilitado, a la dirección indicada por MUSIC Group.

3 No será aceptado ningún envío a portes debidos.

### § 4 Exclusiones de esta garantía

1 Esta garantía limitada no cubre ningún tipo de consumible incluyendo, pero sin limitación alguna, los fusibles y las pilas. En aquellos países en los que sea aplicable, MUSIC Group garantiza que las válvulas y medidores de este aparato están libres de defectos en materiales y mano de obra durante un periodo de noventa (90) días desde la fecha de compra.

2 Esta garantía limitada no cubrirá el producto si ha sido electrónica o mecánicamente modificado de cualquier forma. Si este aparato debe ser modificado o adaptado de cara a cumplir con cualquier standard técnico o de seguridad aplicable para su país o región, en países distintos a los que este aparato haya sido fabricado o diseñado originalmente, dicha modificación/adaptación no será considerada un defecto en materiales o mano de obra. Esta garantía limitada no cubrirá por tanto tal tipo de modificación/adaptación, tanto si es realizada por un técnico especialista como si no. De acuerdo a los términos de esta garantía limitada, MUSIC Group no será responsable de los gastos producidos por ese tipo de modificación/adaptación.

3 Esta garantía limitada cubre solo el hardware o producto físico. No cubre por tanto la asistencia técnica en cuanto a uso del producto o del software ni tampoco ningún producto de software tanto si está contenido en el propio aparato como si es externo. Cualquier tipo de software es suministrado "TAL COMO ES" salvo que se indique expresamente otra cosa en la garantía limitada del software.

4 Esta garantía limitada quedará anulada si el número de serie asignado en fábrica ha sido modificado o eliminado del producto.

5 Esta garantía excluye expresamente cualquier tipo de revisión gratuita y o trabajo de mantenimiento/ reparación, en concreto, todas aquellas producidas por un uso incorrecto o inadecuado del aparato por parte del usuario. Esto también se aplica a aquellos defectos producidos por el uso y desgaste normales, en especial de los faders, crossfaders, potenciómetros, teclas, cuerdas de guitarra, pilotos y piezas similares.

6 Los daños/averías ocasionados por las siguientes condiciones NO quedan cubiertos por esta garantía limitada:

- uso incorrecto o inadecuado, negligente o el uso de este aparato sin cumplir con lo indicado en las instrucciones facilitadas por BEHRINGER en los manuales;
- la conexión o uso de este aparato en cualquier sistema o forma que no cumpla con las normas técnicas o de seguridad aplicables en el país en el que sea usado este aparato;
- los daños/averías producidos por desastres naturales/fenómenos atmosféricos (accidentes, incendios, inundaciones) o cualquier otra situación que quede fuera del control de MUSIC Group.

7 La reparación de este aparato o la apertura de su carcasa por cualquier persona no autorizada (incluyendo el propio usuario) anulará esta garantía limitada.

8 En caso de que un examen de este aparato por parte de MUSIC Group demuestre que el defecto o avería en cuestión no queda cubierto por esta garantía limitada, el coste de dicha inspección deberá ser pagado por el usuario.

9 Aquellos productos que no cumplan con los términos de esta garantía limitada serán reparados EXCLUSIVAMENTE con cargo al usuario. MUSIC Group o sus servicios técnicos oficiales informarán al usuario en caso de que se produzca esa circunstancia. Si el usuario no remite una autorización de reparación por escrito en las 6 semanas siguientes a nuestra notificación, MUSIC Group devolverá la unidad a portes debidos, junto con una factura por los gastos. En caso de que el usuario haya remitido la autorización de reparación, esos costes también le serán facturados aparte.

10 Los distribuidores autorizados BEHRINGER no venden productos nuevos a través de sistemas de subastas online. Los compradores que accedan a este tipo de subastas se harán responsables plenamente de esas compras. Las confirmaciones o recibos de compras de subastas online no son válidas como verificaciones de garantía, por lo que MUSIC Group no reparará ni sustituirá ningún producto que haya sido adquirido a través de este tipo de sistemas.

### § 5 Transferibilidad de la garantía

Esta garantía limitada es aplicable únicamente al comprador original (comprador a través de distribuidor minorista autorizado) y no es transferible a terceras personas que puedan comprar este aparato al comprador original. Ninguna persona (comercio minorista, etc.) está autorizada a ofrecer ningún otro tipo de garantía en nombre de MUSIC Group.

### § 6 Reclamaciones

Con las limitaciones propias de las normativas y leyes locales aplicables, MUSIC Group no será responsable de cara al comprador por el daño emergente, lucro cesante o daños y perjuicios de cualquier tipo. Bajo ningún concepto la responsabilidad de MUSIC Group por esta garantía limitada sobrepasará el valor de este producto de acuerdo a la factura.

### § 7 Limitación de responsabilidades

Esta garantía limitada es la única y exclusiva garantía entre Ud. y MUSIC Group. Esta garantía sustituye a cualquier otra comunicación verbal o escrita relacionada con este aparato. MUSIC Group no ofrece ninguna otra garantía relativa a este producto.

### § 8 Otros derechos de garantías y Leyes nacionales

1 Esta garantía limitada no excluye ni limita los derechos legales propios del comprador como tal.

2 Los puntos de esta garantía limitada y mencionados aquí son aplicables salvo en el caso de que supongan la infracción de cualquier legislación local aplicable.

3 Esta garantía no limita la obligación del vendedor en lo relativo a la conformidad de este aparato de acuerdo a las leyes y las responsabilidades por vicios ocultos.

### § 9 Notas finales

Las condiciones de este servicio de garantía están sujetas a cambios sin previo aviso. Si quiere consultar los términos y condiciones de garantía actualizados, así como información adicional sobre la garantía limitada de MUSIC Group, consulte todos los detalles online en la página web behringer.com.

\* MUSIC Group Macao Commercial Offshore Limited of Rue de Pequim No. 202-A, Macau Finance Centre 9/J, Macau, incluidas todas las empresas MUSIC Group

**FR** Consignes de sécurité

Les points repérés par ce symbole portent une tension électrique suffisante pour constituer un risque d'électrocution. Utilisez uniquement des câbles d'enceintes de haute qualité disponibles dans les points de vente avec les connecteurs Jack mono 6,35 mm déjà installés. Toute autre installation ou modification doit être effectuée uniquement par un personnel qualifié.

Ce symbole avertit de la présence d'une tension dangereuse et non isolée à l'intérieur de l'appareil - elle peut provoquer des chocs électriques.

**Attention**  
Ce symbol signale les consignes d'utilisation et d'entre ! Tien importantes dans la documentation fournie. Lisez les consignes de sécurité du manuel d'utilisation de l'appareil.

**Attention**  
Pour éviter tout risque de choc électrique, ne pas ouvrir le capot de l'appareil ni démonter le panneau arrière. L'intérieur de l'appareil ne possède aucun élément réparable par l'utilisateur. Laisser toute réparation à un professionnel qualifié.

**Attention**  
Pour réduire les risques de feu et de choc électrique, n'exposez pas cet appareil à la pluie, à la moisissure, aux gouttes ou aux éclaboussures. Ne posez pas de récipient contenant un liquide sur l'appareil (un vase par exemple).

**Attention**  
Ces consignes de sécurité et d'entretien sont destinées à un personnel qualifié. Pour éviter tout risque de choc électrique, n'effectuez aucune réparation sur l'appareil qui ne soit décrite par le manuel d'utilisation. Les éventuelles réparations doivent être effectuées uniquement par un technicien spécialisé.

1. Lisez ces consignes.
2. Conservez ces consignes.
3. Respectez tous les avertissements.
4. Respectez toutes les consignes d'utilisation.
5. N'utilisez jamais l'appareil à proximité d'un liquide.
6. Nettoyez l'appareil avec un chiffon sec.
7. Veillez à ne pas empêcher la bonne ventilation de l'appareil via ses ouïes de ventilation. Respectez les consignes du fabricant concernant l'installation de l'appareil.

8. Ne placez pas l'appareil à proximité d'une source de chaleur telle qu'un chauffage, une cuisinière ou tout appareil dégageant de la chaleur (y compris un ampli de puissance).
9. Ne supprimez jamais la sécurité des prises bipolaires ou des prises terre. Les prises bipolaires possèdent deux contacts de largeur différente. Le plus large est le contact de sécurité. Les prises terre possèdent deux contacts plus une mise à la terre servant de sécurité. Si la prise du bloc d'alimentation ou du cordon d'alimentation fourni ne correspond pas à celles de votre installation électrique, faites appel à un électricien pour effectuer le changement de prise.

10. Installez le cordon d'alimentation de telle façon que personne ne puisse marcher dessus et qu'il soit protégé d'arêtes coupantes. Assurez-vous que le cordon d'alimentation est suffisamment protégé, notamment au niveau de sa prise électrique et de l'endroit où il est relié à l'appareil; cela est également valable pour une éventuelle rallonge électrique.

11. Utilisez exclusivement des accessoires et des appareils supplémentaires recommandés par le fabricant.



12. Utilisez exclusivement des chariots, des diables, des présentoirs, des pieds et des surfaces de travail recommandés par le fabricant ou livrés avec le produit.

Déplacez précautionneusement tout chariot ou diable chargé pour éviter d'éventuelles blessures en cas de chute.

13. Débranchez l'appareil de la tension secteur en cas d'orage ou si l'appareil reste inutilisé pendant une longue période de temps.

14. Les travaux d'entretien de l'appareil doivent être effectués uniquement par du personnel qualifié. Aucun entretien n'est nécessaire sauf si l'appareil est endommagé de quelque façon que ce soit (dommages sur le cordon d'alimentation ou la prise par exemple), si un liquide ou un objet a pénétré à l'intérieur du châssis, si l'appareil a été exposé à la pluie ou à l'humidité, s'il ne fonctionne pas correctement ou à la suite d'une chute.

15. L'appareil doit être connecté à une prise secteur dotée d'une protection par mise à la terre.



16. La prise électrique ou la prise IEC de tout appareil dénué de bouton marche/arrêt doit rester accessible en permanence.

**Déni Légal**

Les caractéristiques et l'apparence sont sujettes à modifications sans préavis. Les informations ci-présentes sont correctes au moment de l'impression. Toutes les marques déposées sont la propriété de leurs propriétaires respectifs. La société MUSIC Group n'accepte aucune responsabilité dans les éventuels dommages ou pertes subis par un tiers en se basant en entier ou en partie sur les descriptions, photographies ou déclarations contenues dans ce document. Les couleurs et caractéristiques peuvent varier légèrement de celles du produit. Les produits BEHRINGER ne sont vendus que par le biais de revendeurs agréés. Les distributeurs et les revendeurs ne sont pas agents de MUSIC Group et n'ont absolument aucune autorité pour engager ou représenter la société MUSIC Group de façon implicite, explicite ou indirecte. Ce mode d'emploi est protégé par droits d'auteurs. Il est interdit de transmettre ou de copier ce mode d'emploi sous quelle forme que ce soit, par quel moyen que ce soit, électronique ou mécanique, ce qui comprend les moyens de photocopie et d'enregistrement de quelle façon que ce soit, quel que soit le but, sans la permission écrite expresse de Red Chip Company Ltd.

TOUS DROITS RÉSERVÉS.  
© 2010 Red Chip Company Ltd.  
Trident Chambers, Wickhams Cay, P.O. Box 146,  
Road Town, Tortola, Îles Vierges Britanniques

**Garantie****§ 1 Garantie**

1 Cette garantie limitée n'est valide que si vous avez acheté ce produit auprès d'un revendeur BEHRINGER agréé dans le pays d'achat. Vous trouverez une liste des revendeurs agréés sur le site de BEHRINGER, à l'adresse behringer.com dans la section "Where to Buy", ou vous pouvez contacter le bureau BEHRINGER le plus proche de chez vous.

2 MUSIC Group\* garantit les composants mécaniques et électroniques de ce produit contre tout défaut matériel ou de main-d'œuvre lorsqu'il est utilisé dans des conditions normales, pendant une période de un (1) an à partir de la date d'achat (consultez le chapitre n° § 4 ci-dessous), sauf si une durée de garantie plus longue est stipulée par les législations locales. En cas de défaut du produit pendant la période de garantie spécifiée (rentrant dans le cadre défini par le chapitre § 4), MUSIC Group, à sa propre discrétion, pourra décider de remplacer ou de réparer le produit en utilisant des pièces ou des produits neufs ou reconditionnés. Dans le cas où MUSIC Group déciderait de remplacer la totalité du produit, cette garantie limitée s'applique au produit de remplacement pour le restant de la période de garantie, soit une (1) année (sauf si une durée de garantie plus longue est stipulée par les législations locales) à partir de la date d'achat du produit initial.

3 Après l'acceptation de la demande de garantie, le produit remplacé ou réparé sera renvoyé au client avec le port payé par MUSIC Group.

4 Toute demande de garantie autre que celle définie par le texte ci-avant sera refusée.

CONSERVEZ VOTRE REÇU D'ACHAT. IL EST VOTRE PREUVE D'ACHAT ET PREUVE DE GARANTIE. CETTE GARANTIE LIMITÉE EST NON AVENANTE SANS PREUVE D'ACHAT.

**§ 2 Enregistrement en ligne**

Pensez à enregistrer votre nouveau produit BEHRINGER dès l'achat sur behringer.com dans la section "Support" et prenez le temps de lire avec attention les termes et conditions de cette garantie. L'enregistrement de votre achat et matériel nous aidera à traiter vos réparations plus rapidement et plus efficacement. Merci de votre coopération !

**§ 3 Autorisation de retour de matériel**

1 Pour faire jouer la garantie, contactez le revendeur auprès duquel vous avez acheté l'appareil. Si votre revendeur BEHRINGER ne se trouve pas à proximité, contactez le distributeur BEHRINGER de votre pays, dont la liste se trouve dans la section "Support" du site behringer.com. Si vous ne trouvez pas votre pays dans la liste, essayez de régler votre problème dans la section "Online Support" de la page "Support" sur le site behringer.com. Autrement, vous pouvez faire une demande de prise en charge par la garantie en ligne sur le site behringer.com AVANT de nous renvoyer le produit. Toutes les demandes doivent être accompagnées d'une description du problème et du numéro de série du produit. Après avoir vérifié la validité de la garantie par la consultation du reçu ou du bon d'achat original, MUSIC Group vous donnera un numéro d'autorisation de retour ("NAR ou RMA").

2 Le produit doit ensuite être retourné dans son emballage d'origine avec le numéro d'autorisation de retour à l'adresse indiquée par MUSIC Group.

3 Seuls les paquets dont le port a été acquitté seront acceptés.

**§ 4 Exclusions de garantie**

1 Cette garantie limitée ne couvre pas les consommables et/ou pièces jetables comme, par exemple, les fusibles et les piles. Dans les cas possibles, MUSIC Group garantit les lampes ou afficheurs contenus dans le produit contre tout défaut de pièce ou de main d'œuvre pour une période de quatre-vingt-dix (90) jours à partir de la date d'achat.

2 Cette garantie limitée ne couvre pas le produit s'il a été modifié de façon électronique ou mécanique. Si le produit doit être modifié ou adapté pour être compatible avec une législation locale ou nationale relative à la sécurité ou aux normes techniques, dans un pays qui n'est pas le pays pour lequel le produit a été prévu et fabriqué à l'origine, cette modification/adaptation ne sera pas considérée comme un défaut de pièce ou de main d'œuvre. Cette garantie limitée ne couvre pas ces modifications/adaptations, qu'elles aient été réalisées correctement ou non. Selon les termes de cette garantie limitée, MUSIC Group ne pourra pas être tenu responsable des coûts issus de telles modifications/adaptations.

3 Cette garantie limitée ne couvre que l'aspect matériel du produit. Elle ne couvre pas l'assistance technique liée à l'utilisation d'un matériel ou d'un logiciel et ne couvre aucun produit logiciel fourni ou non avec le produit. Les logiciels sont fournis "TEL QUEL" à moins que le logiciel ne soit expressément fourni avec sa propre garantie.

4 Cette garantie limitée n'est pas valide si le numéro de série appliqué en usine a été modifié ou supprimé du produit.

5 Les inspections gratuites et les travaux de maintenance/réparation sont totalement exclus de cette garantie, notamment, si le problème vient d'une mauvaise manutention ou de l'utilisation du produit par l'utilisateur. Cette exclusion s'applique également aux défauts et pannes liés par l'usure normale, C'est en particulier le cas des Faders, Crossfaders, potentiomètres, touches/boutons, cordes d'instrument de musique, témoins lumineux et toutes pièces ou éléments similaires.

6 Les dommages/pannes causés par les conditions suivantes ne sont pas couverts par la garantie :

- Mauvaise manutention ou entretien, négligence ou non respect de l'utilisation du produit selon les instructions données dans le mode d'emploi ou le guide d'entretien BEHRINGER.
- Connexion ou utilisation de l'appareil d'une façon ne correspondant pas aux procédures ou législations de sûreté ou techniques applicables dans le pays où le produit a été vendu.
- Dommages/pannes causés par l'acte de Dieu ou de la Nature (accident, incendie, inondation, etc.) ou toute autre condition au-delà du contrôle de MUSIC Group.

7 Toute réparation ou ouverture du boîtier réalisée par un personnel non agréé (ce qui comprend l'utilisateur) annule immédiatement la garantie.

8 Si une inspection du produit réalisée par MUSIC Group indique que la panne ou le défaut en question n'est pas couvert par la garantie, les coûts d'inspection seront à la charge du client.

9 Les produits qui ne sont pas pris en charge par les termes de cette garantie seront réparés à la charge de l'acheteur. MUSIC Group ou ses centres de réparation agréés informeront l'acheteur de telles circonstances. Si l'acheteur ne soumet pas un formulaire de réparation écrit dans les 6 semaines suivant la notification, MUSIC Group renverra le produit à vos frais avec une facture séparée pour les frais de port et d'emballage. Ces coûts seront également facturés séparément une fois que l'acheteur a envoyé sa demande écrite de réparation.

10 Les revendeurs BEHRINGER agréés ne vendent pas de produits neufs directement dans les enchères en ligne. Les achats réalisés dans les enchères en ligne sont laissés à l'entière responsabilité et aux risques de l'acheteur. Les preuves d'achat issues de ventes aux enchères en ligne ne sont pas acceptées comme vérification ou preuve d'achat et MUSIC Group ne réparera et ne remplacera pas les produits achetés aux enchères en ligne.

**§ 5 Transfert de garantie**

Cette garantie limitée est attribuée uniquement à l'acheteur initial (client d'un revendeur agréé). Elle n'est pas transférable aux personnes suivantes qui achètent le produit. Personne n'est autorisé (revendeur, etc.) à donner une promesse de garantie de la part de MUSIC Group.

**§ 6 Réparation de dommages**

Sujet uniquement aux lois locales applicables, MUSIC Group ne peut pas être tenu responsable auprès de l'acheteur, par cette garantie, d'aucun dommage ou d'aucune perte indirecte liée à l'utilisation du produit. La responsabilité de MUSIC Group ne peut en aucun cas, même dans le cadre de la garantie, dépasser la valeur du produit indiquée sur la facture d'achat.

**§ 7 Limitation de responsabilité**

Cette garantie limitée telle que présentée dans cette page représente la seule garantie contractuelle entre vous et MUSIC Group. Elle annule et remplace tous les autres moyens de communication écrits ou oraux liés à ce produit. MUSIC Group ne fournit aucune garantie pour ce produit.

**§ 8 Autres droits et lois nationales**

1 Cette garantie limitée n'exclue pas ou ne limite en aucune façon les droits statutaires de l'acheteur en tant que consommateur.

2 Les réglementations de la garantie limitée mentionnées dans ces pages ne sont applicables que dans le cadre des lois locales.

3 Cette garantie n'exempt pas le vendeur de ses obligations de respect de conformité du produit aux législations locales et de prise en charge des défauts cachés.

**§ 9 Amendements**

Les conditions de cette garantie sont sujettes à modification sans préavis. Pour obtenir les conditions de garantie les plus récentes ainsi que toute autre information relative à la garantie des produits MUSIC Group, consultez le site Internet behringer.com.

\* MUSIC Group Macao Commercial Offshore Limited de la Rue de Pequim, n° 202-A, Macau Finance Centre 9/J, Macau, y compris toutes MUSIC Group sociétés

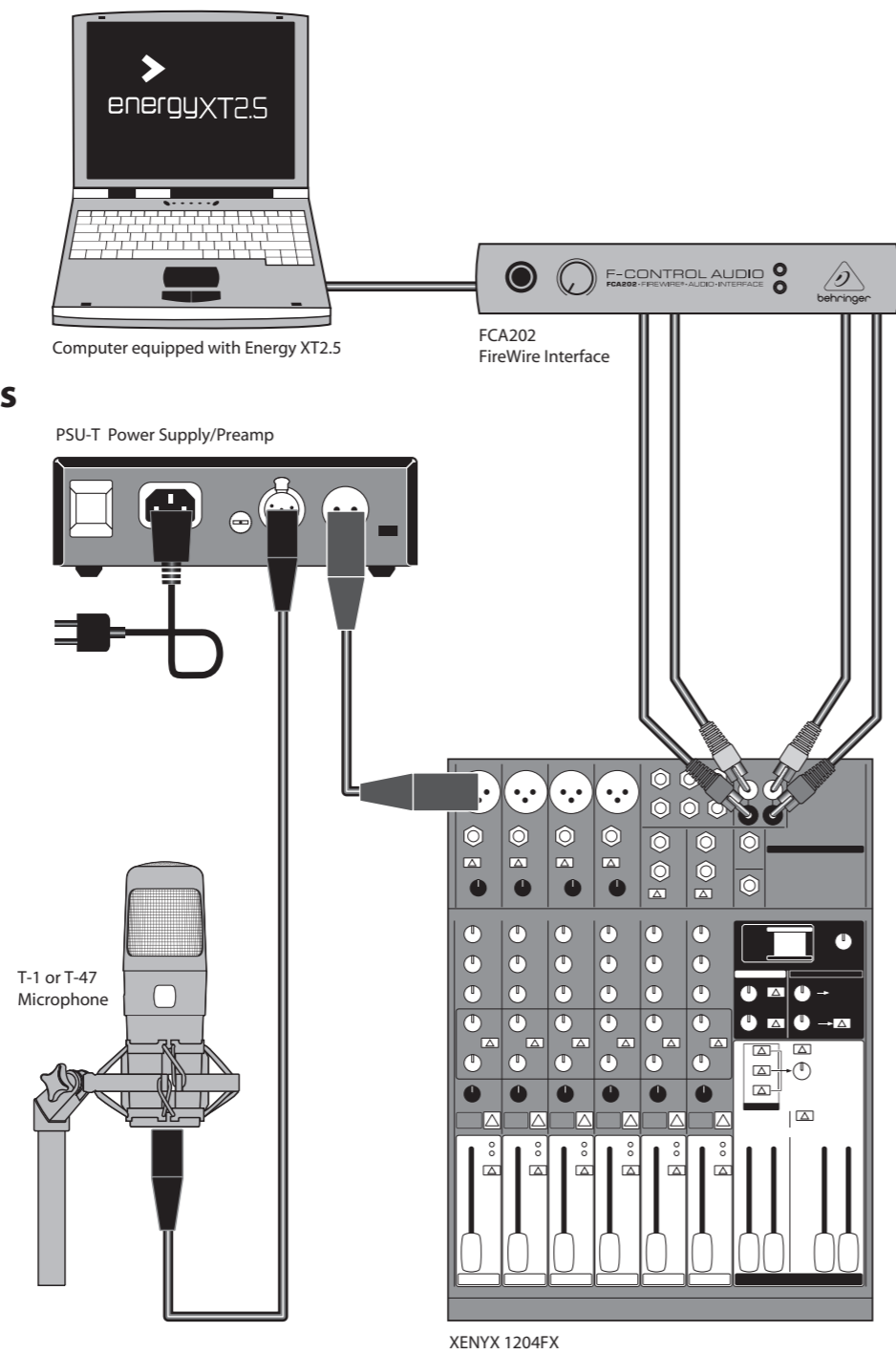


# TUBE CONDENSER MICROPHONE T-1/T-47 Hook-up

## EN Step 1: Hook-Up

## ES Paso 1: Conexión

## FR Etape 1 : Connexions



XENYX 1204FX

# TUBE CONDENSER MICROPHONE T-1/T-47 Controls

## EN Step 2: Controls

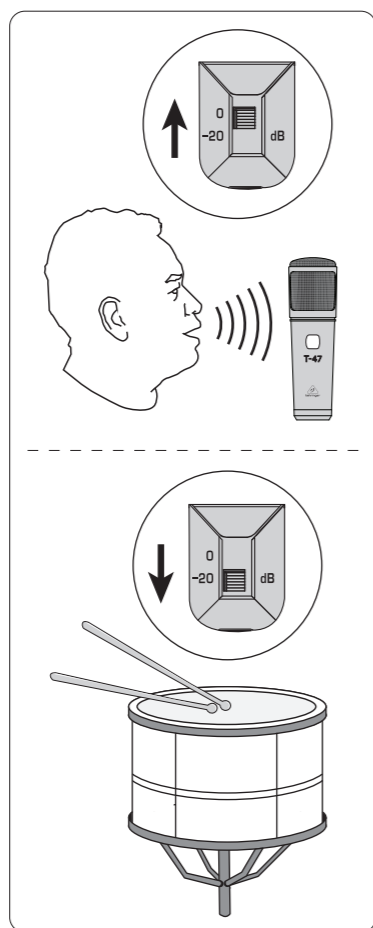
## ES Paso 2: Controles

## FR Etape 2 : Réglages

**STATUS WINDOW** glows red when the mic receives power from the PSU-T power supply.

Se ilumina en rojo cuando el micrófono recibe corriente desde la fuente de alimentación PSU-T.

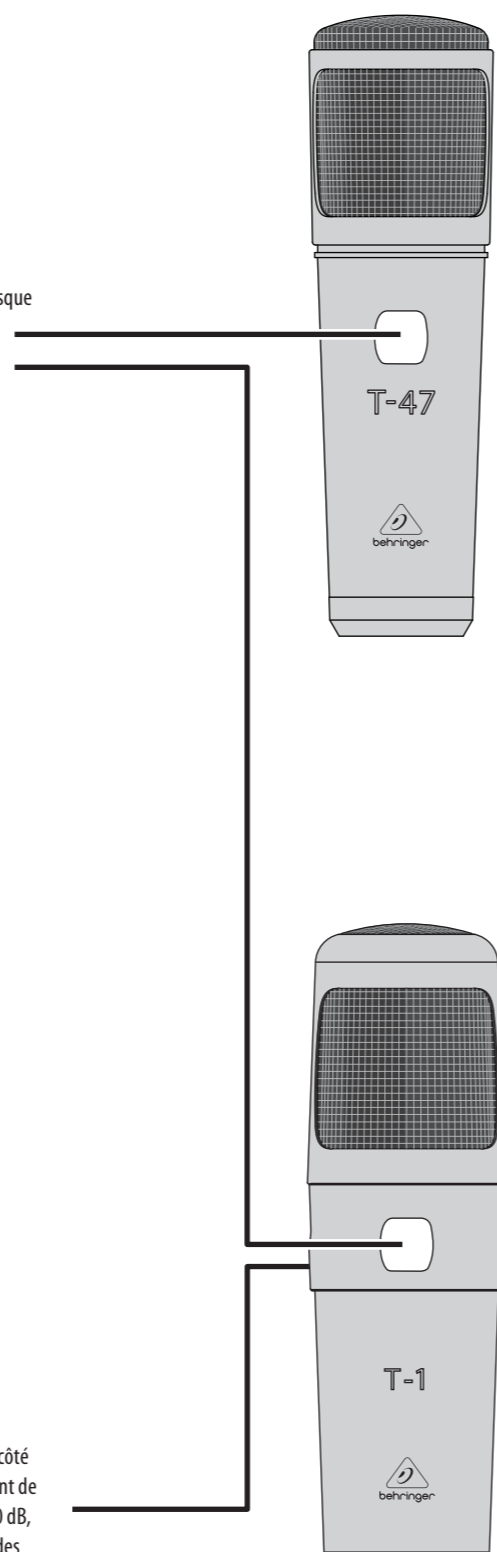
S'allume en rouge lorsque le micro est alimenté par l'alimentation secteur PSU-T.



**ATTENUATION** switch on the side of the mic reduces the signal by 20 dB for use with very loud sources.

interruptor en el lateral del micro que le permite reducir la señal en 20 dB para que pueda usarlo con fuentes de señal muy potentes.

Sélecteur situé sur le côté du micro et permettant de réduire le signal de 20 dB, lorsque vous utilisez des sources à niveau sonore très élevé.



**POWER** switch turns the power supply on and off.

Interruptor que activa o desactiva la fuente de alimentación.

Interrupteur permettant de placer le micro sous/hors tension.

**POWER SOURCE** input accepts a standard IEC power cable.

Toma que acepta un cable de corriente IEC standard.

Embase secteur compatible avec tout cordon IEC standard.

**MIC** accepts the included 7-pin XLR cable to connect and power the T-1/T-47.

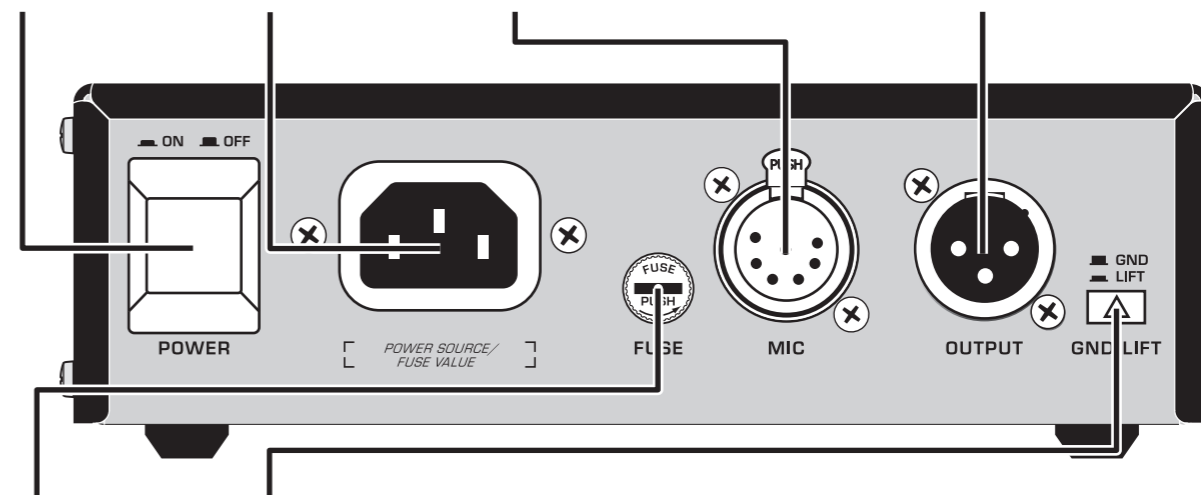
Acepta el cable XLR de 7 puntas incluido que sirve de conexión y toma de corriente para el T-1/T-47.

Utilisez le câble XLR à 7 broches fourni pour connecter et alimenter le T-1/T-47.

**OUTPUT** accepts a standard 3-pin XLR cable to connect the PSU-T to a mixer.

Acepta un cable XLR de 3 puntas standard para la conexión del PSU-T a una mesa de mezclas.

Embase XLR 3 broches pour la connexion de la PSU-T à une console de mixage.



**FUSE** compartment holds the fuse.

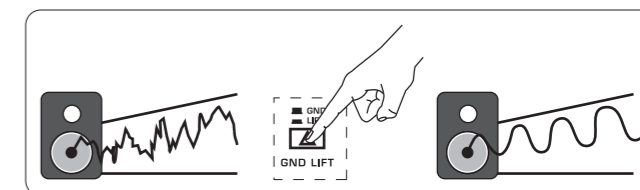
Compartimento para el fusible.

Ce compartiment contient le fusible.

**GND LIFT** removes humming noise from the signal.

Le permite eliminar los zumbidos de la señal.

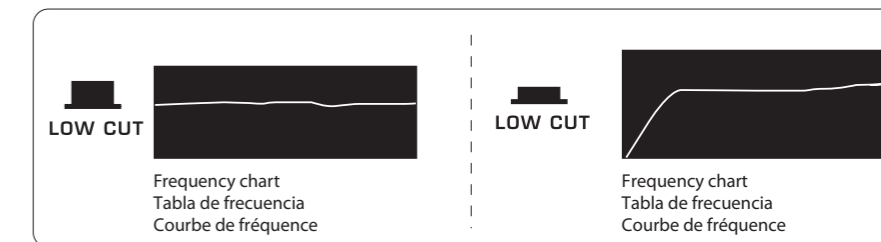
Supprime les ronflements du signal.



**LOW CUT** (front panel) removes low frequencies from the signal.

(Panel frontal) permite suprimir las frecuencias más graves de la señal.

(Face avant) atténue les basses fréquences dans le signal.

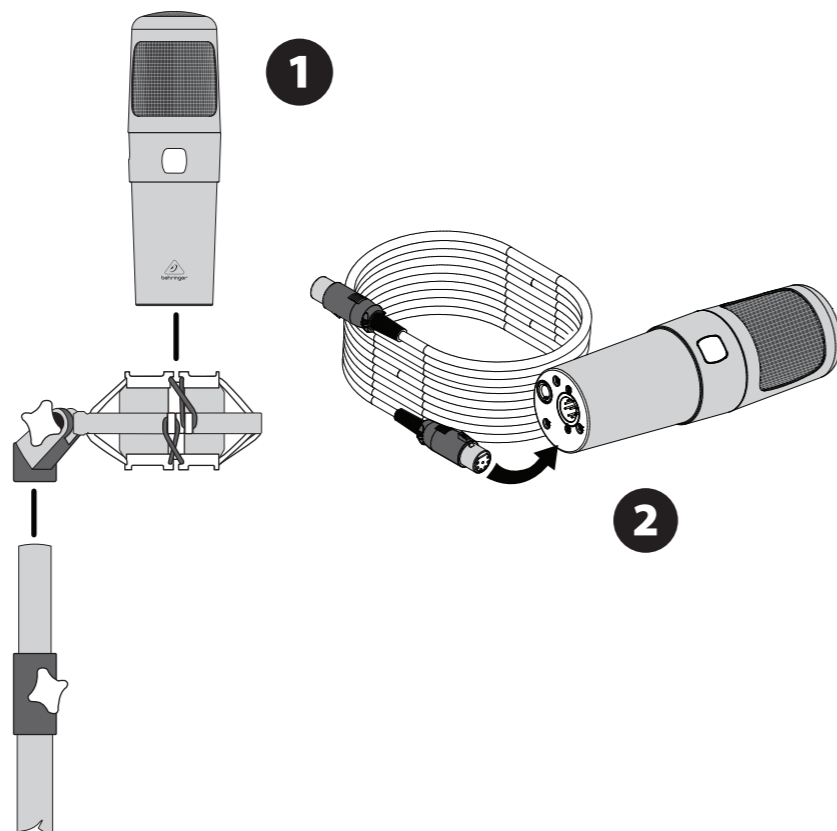


# TUBE CONDENSER MICROPHONE T-1/T-47 Getting started

## EN Step 3: Getting started

## ES Paso 3: Puesta en marcha

## FR Etape 3 : Mise en oeuvre



**1** EN Attach the included shockmount to a microphone stand. Slide the T-1/T-47 into the shockmount so that it sits vertically. DO NOT suspend it upside down.

ES Coloque el protector anti-vibraciones en un soporte de micrófono. Deslice el T-1/T-47 dentro del protector de forma que quede colocado en vertical. NUNCA lo coloque suspendido boca-abajo.

FR Installez le support anti-vibration sur un pied de micro. Faites glisser le T-1/T-47 dans le support anti-vibration en position verticale. Veillez à ne PAS l'installer à l'envers.

**2** EN Plug the included 7-pin cable into the bottom of the T-1/T-47 and into the MIC input on the PSU-T. DO NOT turn the power on yet.

ES Conecte el cable de 7 puntas incluido en la parte inferior del T-1/T-47 y en la toma MIC del PSU-T. NO ENCIENDA la unidad todavía.

FR Reliez le câble à 7 broches fourni à la partie inférieure du T-1/T-47 et à l'entrée MIC de l'alimentation PSU-T. ATTENDEZ avant de placer le micro sous tension.

**3** EN Plug a standard 3-pin XLR cable into the PSU-T OUTPUT jack and connect the other end to a mixer.

ES Conecte un cable XLR de 3 puntas standard en la toma OUTPUT del PSU-T y conecte el otro extremo en una mesa de mezclas.

FR Connectez un câble micro en XLR à 3 broches entre la sortie PSU-T OUTPUT et l'entrée de votre console de mixage.

**4** EN Plug the included power cable into the POWER SOURCE receptacle.

ES Conecte el cable de alimentación incluido en el receptáculo POWER SOURCE.

FR Reliez le cordon secteur fourni dans l'embase POWER SOURCE.

**5** EN Turn the PSU-T on. You may also turn on your mixer.

Note: Your T-1/T-47 will function a few seconds after receiving power, but its true character will not come out until it has had time to warm up for around 30 minutes.

ES Encienda el PSU-T. También puede encender en este punto su mesa de mezclas

Nota: Su T-1/T-47 se pondrá en marcha unos pocos segundos después de recibir la corriente, pero su auténtico carácter no saldrá a la luz hasta un periodo de calentamiento de unos 30 minutos.

FR Placez l'alimentation PSU-T sous tension, puis la console de mixage.

Remarque: Le micro T-1/T-47 est utilisable quelques secondes après sa mise sous tension, mais son véritable caractère sonore est obtenu après une chauffe d'environ 30 minutes.

**6** EN Set the input gain on your mixer for optimum signal headroom and start putting your T-1/T-47 to use!

When using the T-1/T-47 to record vocals, it is strongly advised that you use a pop filter to avoid boomy plosives.

ES Ajuste la ganancia de entrada en su mezclador de forma que consiga el máximo margen de señal y comience a usar su T-1/T-47!

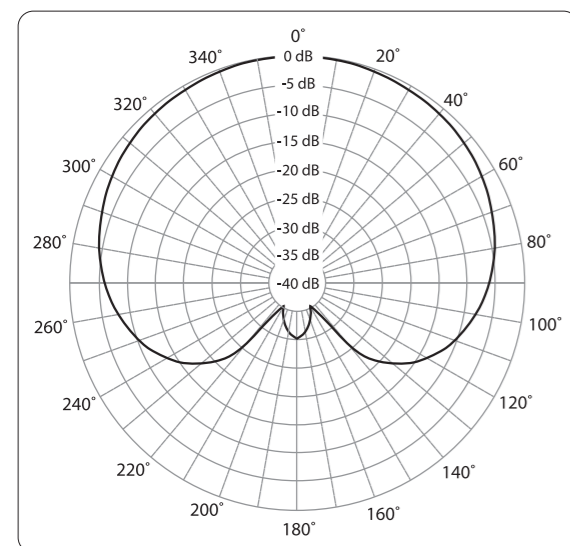
Cuando utilice el T-1/T-47 para grabar voces, le recomendamos que utilice un filtro corta-vientos para evitar sonidos oclusivos y similares.

FR Réglez le gain d'entrée de la voie de votre console de mixage pour obtenir une réserve dynamique optimale et utilisez votre T-1/T-47 !

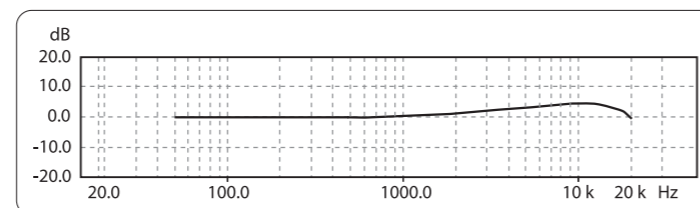
Lorsque vous utilisez le T-1/T-47 pour enregistrer vos chants, ils est vivement conseillé d'utiliser un filtre anti-pop pour atténuer les plosives.

# EN Specifications

	T-1	T-47
<b>Transducer type</b>	Condenser, 16 mm (0.63")	
<b>Polar pattern</b>	Cardioid	
<b>Preamplifier</b>	Vacuum tube	
<b>Output</b>	Gold-plated balanced XLR connector	
<b>Open circuit sensitivity</b>	-40 dBV (0 dBV = 1 V/Pa)	
<b>Frequency response</b>	20 Hz - 20 kHz	
<b>Level attenuation</b>	-20 dB, switchable / -20 dB, conmutable	-
<b>Low-cut filter</b>	12 dB/oct. @ 100 Hz (switchable / conmutable)	
<b>Max. SPL/SPL (3% THD/DHT @ 1 kHz)</b>	130 dB	
<b>Dynamic range</b>	110 dB	
<b>Nominal impedance</b>	Approx. 200Ω	
<b>Load impedance</b>	>1 kΩ	
<b>Supply voltage</b>	Adapter BEHRINGER PSU-T	
<b>Mains Voltage</b>		
100-120 V~, 50/60 Hz	T 160 mA L 250 V	
220-230 V~, 50/60 Hz	T 80 mA L 250 V	
<b>Power Consumption</b>	12 W	
<b>Mains connector</b>	Standard IEC receptacle	
<b>Physical/Weight</b>		
<b>Dimensions</b>	Ø shaft: 2.7", length: 8.3"	
<b>Weight (net)</b>	Approx. 1.7 lbs / approx. 0.77 kg	



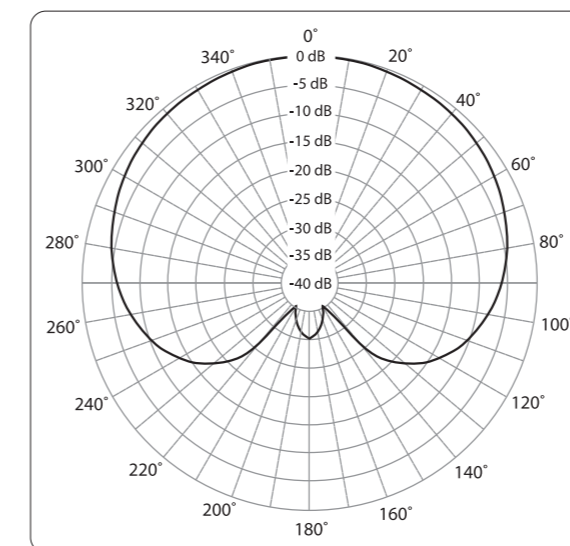
Cardioid pattern



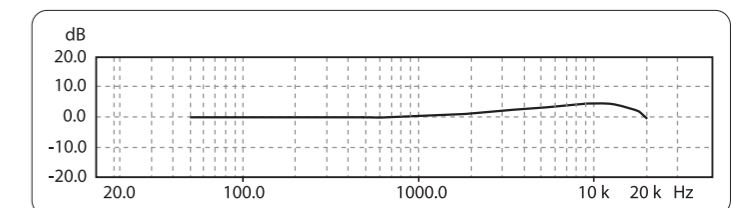
Frequency response

# ES Especificaciones técnicas

	T-1	T-47
<b>Tipo de transductor</b>	Condensador, 16 mm	
<b>Patrón polar</b>	Cardioide	
<b>Preamplificador</b>	Válvula (12AX7)	
<b>Salida (PSU-T)</b>	Conector XLR balanceado y chapado en oro	
<b>Sensibilidad de circuito abierto</b>	-40 dBV (0 dBV = 1 V/Pa)	
<b>Respuesta de frecuencia</b>	20 Hz - 20 kHz	
<b>Atenuación de nivel</b>	-20 dB, switchable / -20 dB, conmutable	-
<b>Filtro de corte de graves</b>	12 dB/oct. @ 100 Hz (switchable / conmutable)	
<b>Max. SPL/SPL (3% THD/DHT @ 1 kHz)</b>	130 dB	
<b>Rango dinámico</b>	110 dB	
<b>Impedancia nominal</b>	Approx. 200Ω	
<b>Impedancia de carga</b>	>1 kΩ	
<b>Alimentación</b>	Adaptador BEHRINGER PSU-T	
<b>Voltaje</b>		
100-120 V~, 50/60 Hz	T 160 mA L 250 V	
220-230 V~, 50/60 Hz	T 80 mA L 250 V	
<b>Consumo</b>	12 W	
<b>Conector de corriente</b>	Receptáculo IEC standard	
<b>Dimensiones / Peso</b>		
<b>Dimensiones</b>	Diámetro / Ø Corps : 68 mm, longitud / longueur : 211 mm	
<b>Peso (neto)</b>	Approx. 1,7 lbs / approx. 0,77 kg	



Patrón cardiode

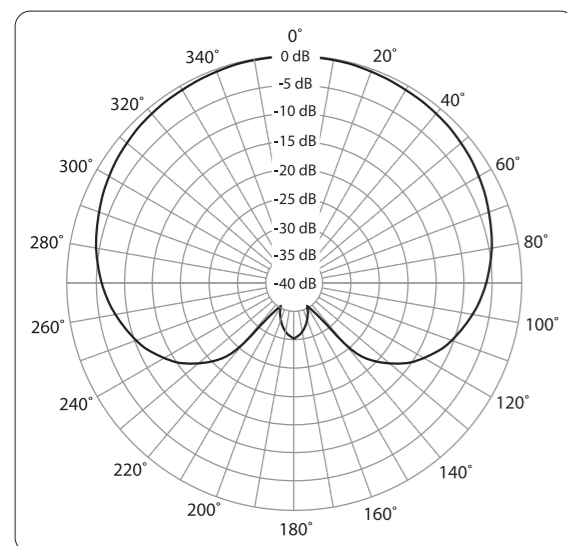


Respuesta de frecuencia

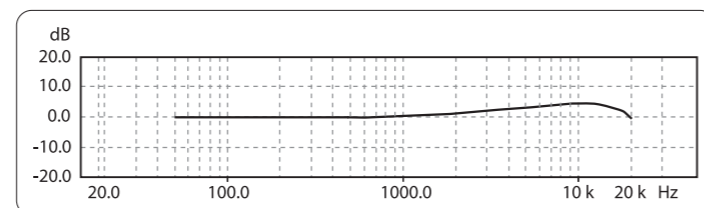


# Caractéristiques techniques

	T-1	T-47
Type de transducteur	Condensateur, 16 mm	
Structure polaire	Cardioïde	
Préampli	Lampe (12AX7)	
Sortie	Connecteur XLR symétrique plaqué or	
Sensibilité circuit ouvert	-40 dBV (0 dBV = 1 V/Pa)	
Réponse en fréquence	20 Hz - 20 kHz	
Atténuation	-20 dB, switchable / -20 dB, commutable	-
Passe-haut	12 dB/oct. @ 100 Hz (switchable / commutable)	
Max. SPL/SPL (3% THD/DHT @ 1 kHz)	130 dB	
Plage dynamique	110 dB	
Impédance nominale	Approx. 200Ω	
Impédance de charge	>1 kΩ	
Alimentation	Adaptateur BEHRINGER PSU-T	
<b>Fusible</b>		
100-120 V~, 50/60 Hz	T 160 mA L 250 V	
220-230 V~, 50/60 Hz	T 80 mA L 250 V	
Consommation électrique	12 W	
Secteur	Embase secteur IEC	
<b>Dimensions/Poids</b>		
Dimensiones	Diámetro / Ø Corps : 68 mm, longitud / longueur : 211 mm	
Poids net	Approx. 1,7 lbs / approx. 0,77 kg	



Structure Polaire cardioïde



Réponse en fréquence

# Other important information

## EN Important information

**1. Register online.** Please register your new BEHRINGER equipment right after you purchase it by visiting [behringer.com](http://behringer.com). Registering your purchase using our simple online form helps us to process your repair claims more quickly and efficiently. Also, read the terms and conditions of our warranty, if applicable.

**2. Malfunction.** Should your BEHRINGER dealer not be located in your vicinity, you may contact the BEHRINGER distributor for your country listed under "Support" at [behringer.com](http://behringer.com). Should your country not be listed, please check if your problem can be dealt with by our "Online Support" which may also be found under "Support" at [behringer.com](http://behringer.com). Alternatively, please submit an online warranty claim at [behringer.com](http://behringer.com) BEFORE returning the product.

**3. Power Connections.** Before plugging the unit into a power socket, please make sure you are using the correct mains voltage for your particular model. Faulty fuses must be replaced with fuses of the same type and rating without exception.

## FR Informations importantes

**1. Enregistrez-vous en ligne.** Prenez le temps d'enregistrer votre produit BEHRINGER aussi vite que possible sur le site Internet [behringer.com](http://behringer.com). Le fait d'enregistrer le produit en ligne nous permet de gérer les réparations plus rapidement et plus efficacement. Prenez également le temps de lire les termes et conditions de notre garantie.

**2. Dysfonctionnement.** Si vous n'avez pas de revendeur BEHRINGER près de chez vous, contactez le distributeur BEHRINGER de votre pays : consultez la liste des distributeurs de votre pays dans la page "Support" de notre site Internet [behringer.com](http://behringer.com). Si votre pays n'est pas dans la liste, essayez de résoudre votre problème avec notre "aide en ligne" que vous trouverez également dans la section "Support" du site [behringer.com](http://behringer.com). Vous pouvez également nous faire parvenir directement votre demande de réparation sous garantie par Internet sur le site [behringer.com](http://behringer.com) AVANT de nous renvoyer le produit.

**3. Raccordement au secteur.** Avant de relier cet équipement au secteur, assurez-vous que la tension secteur de votre région soit compatible avec l'appareil. Veillez à remplacer les fusibles uniquement par des modèles exactement de même taille et de même valeur électrique — sans aucune exception.

## ES Aspectos importantes

**1. Registro online.** Le recomendamos que registre su nuevo aparato BEHRINGER justo después de su compra accediendo a la página web [behringer.com](http://behringer.com). El registro de su compra a través de nuestro sencillo sistema online nos ayudará a resolver cualquier incidencia que se presente a la mayor brevedad posible. Además, aproveche para leer los términos y condiciones de nuestra garantía, si es aplicable en su caso.

**2. Averías.** En el caso de que no exista un distribuidor BEHRINGER en las inmediaciones, puede ponerse en contacto con el distribuidor BEHRINGER de su país, que encontrará dentro del apartado "Support" de nuestra página web [behringer.com](http://behringer.com). En caso de que su país no aparezca en ese listado, acceda a la sección "Online Support" (que también encontrará dentro del apartado "Support" de nuestra página web) y compruebe si su problema aparece descrito y solucionado allí. De forma alternativa, envíenos a través de la página web una solicitud online de soporte en periodo de garantía ANTES de devolvernos el aparato.

**3. Conexiones de corriente.** Antes de enchufar este aparato a una salida de corriente, asegúrese de que dicha salida sea del voltaje adecuado para su modelo concreto. En caso de que deba sustituir un fusible quemado, deberá hacerlo por otro de idénticas especificaciones, sin excepción.



imagine music

## Free Manuals Download Website

<http://myh66.com>

<http://usermanuals.us>

<http://www.somanuals.com>

<http://www.4manuals.cc>

<http://www.manual-lib.com>

<http://www.404manual.com>

<http://www.luxmanual.com>

<http://aubethermostatmanual.com>

Golf course search by state

<http://golfingnear.com>

Email search by domain

<http://emailbydomain.com>

Auto manuals search

<http://auto.somanuals.com>

TV manuals search

<http://tv.somanuals.com>