

# BEKO

installation & operating Condenser  
instructions and drying guidance Sensor Dryer

DCU 7230



get the **best** from your new tumble dryer

## Read this manual prior to initial operation of the product!

Dear Customer,

We hope that your product, which has been manufactured in modern facilities and passed through a strict quality control procedure, will give you very good results.

We advise you to read through this manual carefully before using your product and keep it for future reference.

### This User Manual will

- Help you use your machine in a fast and safe way.
- Read the User Manual before installing and starting your product.
- In particular, follow the instructions related to safety.
- Keep this User Manual within easy reach for future reference.
- Please read all additional documents supplied with your product.

Remember that this User Manual is also applicable for several other models.

### Explanation of symbols

Throughout this User Manual the following symbols are used:



Important safety information. Warning for hazardous situations with regard to life and property.



Caution; Warning for supply voltage.



Caution; Warning for fire hazard.



Caution; Warning for hot surfaces.



Read the instructions.



Useful information. Important information or useful hints about usage.



This appliance's packaging material is recyclable. Help recycle it and protect the environment by dropping it off in the municipal receptacles provided for this purpose. Your appliance also contains a great amount of recyclable material. It is marked with this label to indicate the used appliances that should not be mixed with other waste. This way, the appliance recycling organised by your manufacturer will be done under the best possible conditions, in compliance with European Directive 2002/96/EC on Waste Electrical and Electronic Equipment. Contact your town hall or your retailer for the used appliance collection points closest to your home. We thank you doing your part to protect the environment.

# TABLE OF CONTENTS

## **1 Your Dryer 4**

---

Overview .....	4
Technical Specifications .....	5

## **2 Important safety information 6**

---

General safety .....	6
Intended use .....	7
Children's safety .....	7

## **3 Installation 8**

---

Appropriate installation location .....	8
Removing the transportation safety assembly .....	8
Under counter installation .....	8
Mounting over a washing machine.....	8
Connection to water drain; .....	8
Adjusting the feet.....	9
First use .....	9
Disposing of packaging material .....	9
Transportation of the machine .....	9
Disposing of the old machine.....	9

## **4 Electrical Connection 10**

---

Attention!.....	10
Electrical requirements.....	10
Fitting a different plug .....	10
Washer/dryer combination.....	10

## **5 Initial preparations for drying 11**

---

Things to be done for energy saving: .	11
Laundry suitable for drying in the machine .....	11
Laundry unsuitable for drying in the machine .....	11
Preparing laundry for drying.....	12
Correct load capacity .....	12

## **6 Selecting a Programme and Operating Your Machine 13**

---

Control panel.....	13
Preparing the machine.....	14
Programme selection.....	14
Programme selection and consumption table .....	15

Auxiliary function.....	16
Warning indicators .....	16
Time delay.....	16
Starting the programme.....	16
Progress of programme .....	16
Changing the programme after it has started.....	16
Child-proof lock.....	17
Finishing by cancelling the programme	17
End of programme .....	18

## **7 Maintenance and cleaning 19**

---

Filter Cartridge / Door Inner Surface...	19
Sensor .....	19
Water tank;.....	19
For the condenser .....	20

## **8 Suggested solutions for problems 22**

---

## **9 Guarantee 23**

---

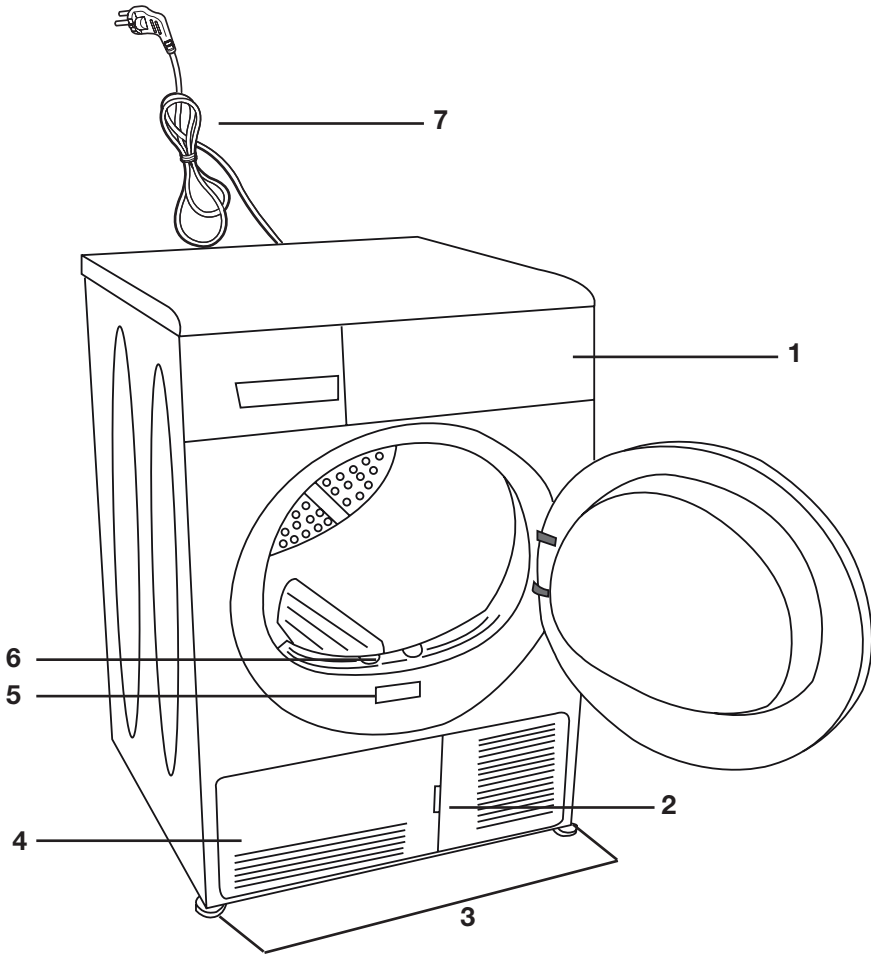
What is covered?.....	23
What is not covered?.....	23
Important notes .....	23

## **10 Service 24**

---

# 1 Your Dryer

## Overview



1- Control panel

5- Rating plate

2- Kick plate opening tab

6- Fluff filter

3-Adjustable feet

7- Power cord

4-Kick plate

## Technical Specifications

EN

Height (adjustable)	84.6 cm
Width	59.5 cm
Depth	53 cm
Capacity (max.)	7 kg
Weight (net)	36 kg
Voltage	See type label
Rated power input	
Model code	

Type label is located behind the loading door.

Specifications of this appliance may change without notice to improve the quality of the product. Figures in this manual are schematic and may not match your product exactly. Values stated on the machine labels or in the documentation accompanying it are obtained in laboratory in accordance with the relevant standards. Depending on operational and environmental conditions of the appliance, values may vary.

## 2 Important safety instructions

This section includes safety information that will help protection from risks of personal injuries or materialistic damages. Failure to follow these instructions shall cause any warranty and reliability commitment to become void.

### General safety

- Never place the machine on a carpet-covered floor, otherwise, lack of airflow beneath the machine may cause electrical parts to overheat. This will cause problems with your machine.
- If the power cable or mains plug is damaged, you must call Authorised Service Agent for repair.
- The product should not be plugged in during installation, maintenance and repair works. Such works should always be made by the technical service. Manufacturer shall not be held responsible for damages arising from processes carried out by unauthorised persons.
- Connect the product to a grounded outlet protected by a fuse of suitable capacity as stated in the technical specifications table.
- Operate your product at temperatures between +5°C and +35°C.
- Do not use electrical devices in the product.
- Do not connect the air exit of the product to the exit ducts which are used for the exhaust fumes of the devices operating with gas or other types of fuel.
- You must provide enough ventilation in order to prevent gases exiting from devices operating with other types of fuels including the naked flame from accumulating in the room due to the back fire effect.
- Always clean the lint filter before or after each loading.
- Never operate your dryer without the lint filter installed.
- Do not allow fibre, dust and dirt accumulation around the exhaust exit and at adjacent areas.
- Power cable plug must be within easy reach after installation.
- Do not use extension cords, multi-plugs or adaptors to connect the dryer to power supply in order to decrease the risk of electric shock.
- Do not make any changes on the plug supplied with the product. If it is not compatible with the socket, have a qualified electrician change the socket with a suitable one.
- Items cleaned or washed with gasoil/fuel oil, dry-laundry solvents and other combustible or explosive materials as well as the items that are contaminated or spotted with such materials should not be dried in the product since they emit flammable or explosive vapor.
- Do not dry items cleaned with industrial chemicals in the dryer.
- Do not dry unwashed items in the dryer.
- Items soiled with cooking oils, acetone, alcohol, fuel oil, kerosene, stain remover, turpentine, paraffin and paraffin removers must be washed in hot water with plenty of detergent before being dried in the dryer.
- Garments or pillows bolstered with rubber foam (latex foam), shower bonnets, water resistant textiles, materials with rubber reinforcement and rubber foam pads should not be dried in the dryer.
- Do not use fabric softeners and anti-static products unless they are recommended by the manufacturers of the fabric softener or the product.
- This product must be earthed. Grounding installation decreases the risk of electric shock by opening a path with low resistance for the electricity flow in case of a malfunction or failure. Power cable of this product is equipped with a conductor and a grounding plug that allows for grounding the product. This plug must be installed appropriately and inserted into a socket which is grounded in accordance with the local laws and regulations.
- Do not install the product behind a door with a lock, sliding door or a door that has a hinge against the hinge of the dryer.
- Do not install or leave this product in places where it will be exposed to outdoor conditions.
- Do not tamper with the controls.
- Do not perform any repair or part replacing procedures on the product even if you know or have the ability to perform unless it is clearly suggested in the operating instructions or the

published service manual.

- Inside and exhaust duct of the product must be cleaned by the qualified service personnel periodically.
- Wrong connection of grounding conductor of the product can cause electric shock. If you have any suspect about the grounding connection, have it checked by a qualified electrician, service representative or service personnel.
- Do not reach into the machine when the drum is spinning.
- Unplug the machine when it is not in use.
- Never wash down the appliance with water! There is the risk of electric shock! Always disconnect by unplugging from the mains before cleaning.
- Never touch the plug with wet hands. Never unplug by pulling on the cable, always pull out by grabbing the plug only. Do not operate the machine if the power cable or plug is damaged!
- Never attempt to repair the machine yourself, otherwise, you will be putting your life and others' lives in danger.
- For malfunctions that cannot be solved by following the information given in the safety instructions:  
Turn off the machine and contact an authorised service agent.
- Do not stop the dryer before the drying cycle comes to an end unless you will remove all laundry from the dryer fast in order to lay them and dissipate the heat.
- Remove the door of the drying compartment before decommissioning or disposing of the product.
- The final step of the drying cycle (cool-down cycle) occurs without applying heat to ensure that the items are left at a temperature that will not damage them.
- Fabric softeners or similar products should be used as specified by the fabric softener instructions.
- Underwear that contains metal reinforcements should not be placed in a dryer. Damage to the dryer can result if metal reinforcements come loose during drying.
- Check all garments for forgotten lighters, coins, metal pieces, needles, etc. before loading.
- At times when your dryer is not in use or after the laundry is taken out following the completion of drying process, turn off by using the On/Off button. In cases

when the On/Off button is on (while the dryer is energized), keep the door of the dryer closed.

### **Intended use**

- This product has been designed for domestic use. It should not be used for other purposes.
- Use the product only for drying laundry that are marked accordingly.
- Dry only those articles in your product that are stated in this manual.
- This product is not intended to be used by persons with physical, sensory or mental disorders or unlearned or inexperienced people (including children) unless they are attended by a person who will be responsible for their safety or who will instruct them accordingly for use of the product.

### **Children's safety**

- Electrical appliances are dangerous for the children. Keep children away from the machine when it is operating. Do not let them tamper with the machine.
- Packaging materials are dangerous to children. Keep the packaging materials out of reach of children or dispose them by classifying according to waste directives.
- Do not allow children sit/climb on or enter in the product.
- Children should be supervised to ensure that they do not play with the product.
- Close the loading door when you leave the area where the product is located.

## 3 Installation

⚠ Prior to installation, visually check if the product has any defects on it. If so, do not have it installed. Damaged products will cause risks for your safety.

### Appropriate installation location

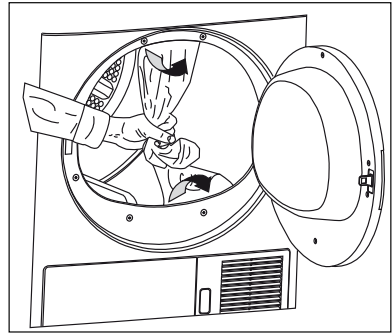
- Install the product in an environment which has no risk of freezing and is in a stable and level position.
- Operate your product in a well ventilated, dust-free environment.
- Do not block the air ducts in front of and under the product with materials such as long pile rugs and wooden plinths.
- Do not place your product on a long pile rug or on similar surfaces.
- Do not install the product behind a door with a lock, sliding door or a hinged door which can strike the product.
- Once the product is installed, it should stay at the same place where its connections have been made. When installing the product, make sure that the rear wall of it does not touch anywhere (tap, socket, etc.) and also pay attention to install the product at a place where it will stay permanently.

- ⚠ Do not place the product on top of the power cable.
- Keep at least 1.5 cm distance to walls of other furniture.

### Removing the transportation safety assembly

⚠ Remove the transportation safety assembly before using the product for the first time.

1. Open the loading door.
2. There is a nylon bag inside the drum that contains a piece of styrofoam. Hold it from its section marked with XX.
3. Pull the nylon towards yourself and remove the transportation safety assembly.



- ⚠ Make sure that you have removed the transportation safety assembly (nylon+styrofoam pieces) before using the product for the first time. Do not leave any items inside the drum.

### Under counter installation

- A special part (Part no. 297 360 0100) replacing the top trim can be provided and installed by the Authorised Service Agent in order fit the machine under a low counter or in a cupboard. It should never be operated without the top trim.
- Leave at least 3 cm of space between the side and rear walls of the product and the walls of the counter/cupboard when installing your product under a counter or in a cupboard.

### Mounting over a washing machine

- A fitting device should be used between the two machines when installing above a washing machine. The bracket must be installed by the Authorised Service Agent.
- Place the product on a firm floor. If it will be placed on top of a washing machine, the approximate weight of both machines may reach 180 kg when they are full. Therefore, the floor must be capable of carrying the load on it!

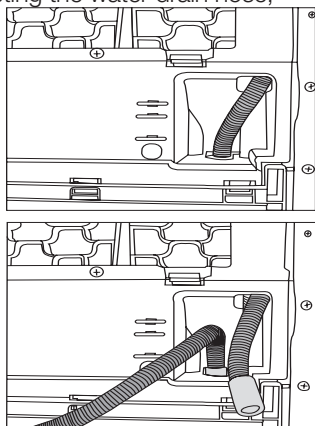
### Connection to water drain;

In products equipped with a condenser unit the water accumulated during the drying cycle is collected in the water tank. You should drain the accumulated water after each drying cycle.

You can directly send the accumulated water out through the water drain hose supplied



with the machine instead of periodically draining the water collected in the water tank. Please refer to the detailed instructions supplied with the accessories pack. Connecting the water drain hose;



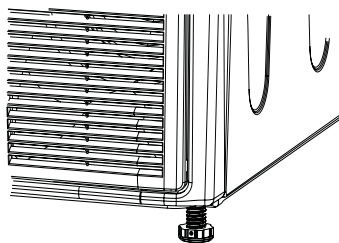
1. Remove the hose on the machine by pulling it out from its end. Do not use any tools to take out the hose.
2. Connect the special drain hose supplied with the machine to the pipe fitting.
3. The other end of the drain hose can be directly connected to the wastewater drain or to the washbasin. The fitting must always be secured in all types of connections. Your house may be flooded if the hose gets out of its housing during water discharge.

Important:

- The hose should be attached to a height of maximum 100 cm.
- You must be careful not to pinch or bend the hose.
- The end of the hose should not be bent, it should not be stepped on and it must not be folded between the drain and the machine.

### Adjusting the feet

In order to ensure that your machine operates more silently and vibration-free, it must stand level and balanced on its feet. Balance the machine by adjusting the feet. Rotate the feet to adjust until the machine stands level and firmly.



- ❗ Never unscrew the adjustable feet from their housings.

### First use

- To have the product ready for operation before calling the authorised service agent, make sure that its location and power supply installations are appropriate. If they are not, call a qualified electrician to have any necessary arrangements carried out.
- Make sure that the power connections of the product are in accordance with the instructions given in relevant chapters of this manual.

### Disposing of packaging material

Packaging materials are dangerous to children. Keep packaging materials in a safe place out of reach of children. Packaging materials of your product are manufactured from recyclable materials. Sort and dispose of them in accordance with recycled waste instructions. Do not dispose of them with normal domestic waste.

### Transportation of the machine

1. Unplug the machine from the mains.
2. Remove the water drain and vent connections (if any).
3. Drain water remaining in the machine completely before transportation.

### Disposing of the old machine

Dispose of your old machine in an environmentally friendly manner. Refer to your local dealer or solid waste collection centre in your area to learn how to dispose of your machine. Before disposing of your old machine, cut off the power cable plug and make the loading door lock unusable to avoid dangerous conditions to children.

## 4 Electrical Connection

Make sure that you have an earthed power outlet socket rated at 13 amps (minimum).

### Attention!

If you use your dryer as built-in, the socket must be reachable after installation, or a separate switch (which can disconnect the two poles) must be used in the installation. Check for suitability.

For a permanent connection, a master switch with at least 3mm contact clearance and minimum 13 A rating must be used.

### Electrical requirements

Before you insert the plug into the wall socket make sure that the voltage and the frequency shown in the rating label corresponds to your electricity supply. We recommend that this appliance be connected to the mains supply via a suitable switched and fused socket in a readily accessible position.

Should the mains lead of the appliance become damaged or need replacing at any time, it must be replaced by a special purpose made mains lead which can only be obtained from a Authorised Service Agent.

### Warning

#### This appliance must be earthed

If the fitted moulded plug is not suitable for your socket, then the plug should be cut off and an appropriate plug fitted.

The moulded plug on this appliance incorporates a 13A fuse. Should the fuse need to be replaced an ASTA approved BS1362 fuse of the same rating must be used. Do not forget to refit the fuse cover. In the event of losing the fuse cover, the plug must not be used until a replacement fuse cover has been fitted. Colour of the replacement fuse cover must be the same colour as that visible on the pin face of the plug. Fuse covers are available from any good electrical store.

In order to avoid hazards, damaged supply cord should be replaced by the manufacturer, its service agent or similarly qualified people.

#### Built-under installation

This appliance can be installed under a worktop.

⚠ Undercounter installation without the top cover must only be carried out by an authorised agent. Risk of electric shock.

### Important

#### Fitting a different plug

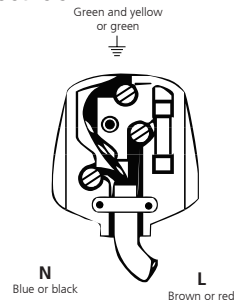
As the colours of the wires in the mains lead of this appliance may not correspond with the coloured markings identifying the terminals on your plug, proceed as follows:

1 Connect the green - yellow or green (earth) wire to the terminal in the plug marked 'E' or with the symbol or coloured green and yellow or green.

2 Connect the blue (neutral) wire to the terminal in the plug marked 'N' or coloured black.

3 Connect the brown (live) wire to the terminal in the plug marked 'L' or coloured red.

With the alternative plugs a 13A fuse must be fitted either in the plug or adaptor or in the main fuse box. If in doubt contact a qualified electrician.



#### Washer/dryer combination

Do not stack washing machine on top of the tumble dryer. This would damage both appliances and guarantees would become void. It is also unsafe to stack an appliance on top of another without using a suitable and approved stacking kit obtained from the manufacturer of the appliances.

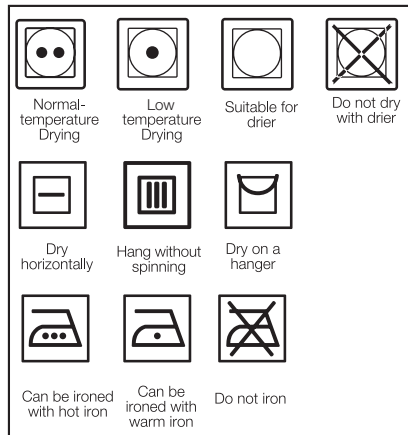
## 5 Initial preparations for drying

### Things to be done for energy saving:

- Make sure that you operate the product at its full capacity but pay attention to not exceeding it.
- Spin your laundry at the highest speed possible when washing them. Thus, the drying time is shortened and energy consumption is decreased.
- Pay attention to dry same types of laundry together.
- Follow the instructions in the user manual for programme selection.
- Make sure that sufficient clearance is provided at the front and rear side of the dryer for air circulation. Do not block the grill at the front side of the product.
- Do not open the door of the machine during drying unless necessary. If you must certainly open the door, pay attention not to keep it open for a long time.
- Do not add new (wet) laundry during drying.
- Lint and fibres released from the laundry to the air during the drying cycle are collected in the "Lint Filter". Make sure that you clean the filters before or after each drying.
- In models with condenser, make sure that you clean the condenser regularly at least once every month or after every 30 drying cycles.
- In vented models, follow the hose connection rules in the user manual and pay attention to the hose cleaning.
- Ventilate the room, where the dryer is located, well during drying.
- For power saving in models with lamps, at times when your dryer is not in use, keep the door closed if the On/Off button is pressed (if the dryer is energized).

### Laundry suitable for drying in the machine

**i** Always follow the suggestions on the laundry labels. Dry only the laundry having a label stating that they are suitable for drying in a dryer and make sure that you select the appropriate programme.



### Laundry unsuitable for drying in the machine

- Laundry items with metal attachments such as belt buckles and metal buttons can damage your dryer.
- Do not dry items such as woollens, silk garments and nylon stockings, delicate embroidered fabrics, laundry with metal accessories and items such as sleeping bags in the dryer.
- Laundry made of delicate and valuable fabrics as well as lace curtains can be creased. Do not dry them in the dryer!
- Do not dry items made of hermetic fibres such as pillows and quilts in the dryer.
- Laundry made of foam or rubber will be deformed.
- Do not dry laundry containing rubber in the dryer.
- Do not dry laundry exposed to petroleum, oil, combustible or explosive agents in the dryer even if they are washed beforehand.
- Overly wet laundry or laundry with dripping water must not be put into the dryer.
- Items cleaned or washed with gasoil/fuel oil, dry-laundry solvents and other combustible or explosive materials as well as the items that are contaminated or spotted with such materials should not be dried in the product since they emit flammable or explosive vapor.
- Do not dry items cleaned with industrial chemicals in the dryer.

- Do not dry your unwashed laundry in the dryer.
- Items soiled with cooking oils, acetone, alcohol, fuel oil, kerosene, stain remover, turpentine, paraffin and paraffin removers must be washed in hot water with plenty of detergent before being dried in the dryer.
- Garments or pillows bolstered with rubber foam (latex foam), shower bonnets, water resistant textiles, materials with rubber reinforcement and rubber foam pads should not be dried in the dryer.
- Do not use fabric softeners and anti-static products unless they are recommended by the manufacturers of the fabric softener or the product.
- Do not dry the underwear reinforced with metal parts in the dryer. If these metal reinforcements loosen and break during drying, they will damage your dryer.

- i** Adding laundry to the machine more than the level shown in the figure is not recommended. Drying performance will degrade when the machine is overloaded. Furthermore, your dryer and your laundry can be damaged.

- i** Place your laundry into the drum loosely so that they will not get tangled. Following weights are given as examples.

Home articles	Approximate weights (g)
Cotton quit covers (double)	1500
Cotton quit covers (single)	1000
Bed sheets (double)	500
Bed sheets (single)	350
Large tablecloths	700
Small tablecloths	250
Tea napkins	100
Bath towels	700
Hand towels	350
Garments	Approximate weights (g)
Blouses	150
Cotton shirts	300
Shirts	200
Cotton dresses	500
Dresses	350
Jeans	700
Handkerchiefs (10 pieces)	100
T-Shirts	125

### Preparing laundry for drying

- Check all laundry items before loading them into the product to make sure that there are no lighters, coins, metal items, needles and etc. in their pockets or on any part of them.
- Fabric softeners and similar products must be used in accordance with the instructions of the manufacturer of the relevant products.
- All laundry must be spun at the highest spin speed that your washing machine allows for the laundry type.
- Laundry may be tangled after washing. Separate your laundry before placing them into your dryer.
- Sort your laundry according to their types and thicknesses. Dry the same type of laundry together. E.g.: fine kitchen towels and table cloths dry faster than the thick bath towels.

- i** Place your laundry into the drum loosely so that they will not get tangled. Following weights are given as examples.

### Loading

- Open the loading door.
- Place laundry items loosely into the dryer.
- Push the loading door to close. Ensure that no items are caught in the door.

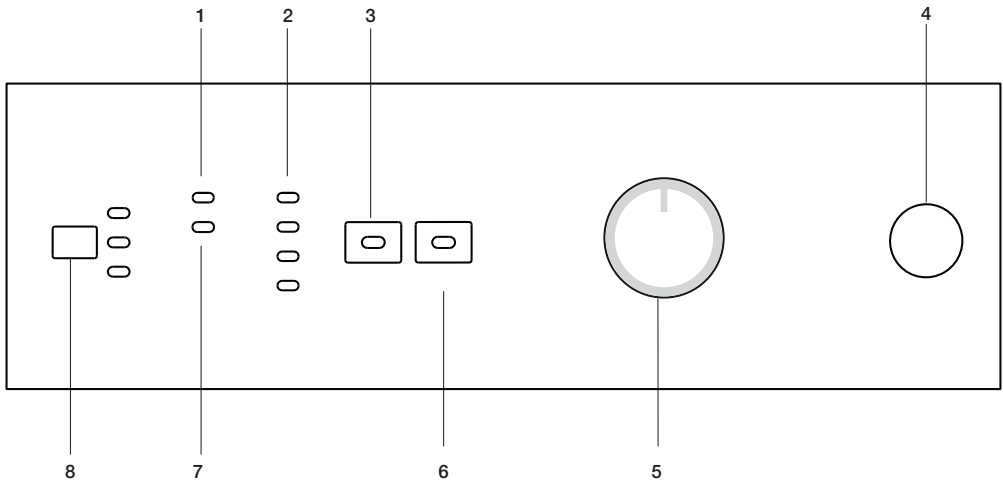
### Correct load capacity



- ⚠** Consider the information in the “Programme Selection Table”. Always start the programme in accordance with the maximum load capacity.

## 6 Selecting a Programme and Operating Your Machine

### Control panel



#### 1. Filter cleaning warning light

Warning light turns on when the filter is full.

#### 2. Programme follow-up indicator

Used to follow-up the progress of the current programme.

#### 3. Cancel audio warning

Used to cancel the audio warning given at the end of the programme.

#### 4. On/Off button

Used to turn on and off the machine.

#### 5. Programme selection knob

Used to select a programme.

#### 6. Start/Pause/Cancel button

Used to start, pause or cancel the programme.

#### 7. Water tank warning light\*

Warning light turns on when the water tank is full.

#### 8. Time delay selection button\*

Used to set the time delay.

\* It may change according to the specifications of your dryer

## Preparing the machine

1. Plug in your machine.
  2. Place the laundry in the machine.
  3. Press the "On/Off" button.
- i** Pressing the "On/Off" button does not necessarily mean that the programme has started. Press "Start/Pause/Cancel" button of the machine to start the programme.

## Programme selection

Decide the appropriate programme from the table below which includes drying temperatures in degrees. Select the desired programme with the programme selection button.

Extra dry	Dry at high temperature only for cotton laundry. Thick and multi layered laundry (E.g.: towels, linens, jeans) are dried in a way that they do not require ironing before placing in the wardrobe.
Cupboard dry	Normal laundry (E.g.: tablecloths, underwear) are dried in a way that they do not require ironing before placing in the drawers.
Normal dry	Normal laundry (E.g.: tablecloths, underwear) are dried in a way that they do not require ironing before placing in the drawers, but more than those in the ready to wearoption.
Iron Dry	Normal laundry (E.g., Shirts, dresses) are dried ready to be ironed.

- i** For further programme details, see, "Programme Selection Table"

## Main programmes

Depending on the type of laundry, the following main programmes are available:

### •Cottons

You can dry your durable laundry with this programme. Dries at high temperature. It is recommended to use for your cotton items (such as bed sheets, quilt cover, underclothing, etc.).

### •Synthetics

You can dry your less durable laundry with this programme. It dries at a lower temperature compared to the cottons programme. It is recommended for your synthetic laundry (such as shirts, blouses, synthetic/cotton blended laundry, etc.).

- i** Do not dry curtains and lace in your machine.

### •Anti-creasing

A 2-hour anti creasing programme to prevent

laundry from creasing will be activated if you do not take the laundry out after the programme is over. This programme rotates the laundry in 10-minute intervals to prevent creasing.

## Special programmes

For special cases, there are also extra programmes available:

- i** Additional programmes may differ according to the model of your machine.

### •Xpress 35' min.

You can use this programme to dry the cottons that are spun at high speeds in your washing machine. It can dry your 2 kg Cotton laundry (3 Shirts / 5 T-Shirts) within 35 minutes.

- i** In order to obtain better results from the dryer programmes, your laundry must be washed with suitable programme and spun at the recommended spin speeds in your washing machine.

### •Shirt

Dries the shirts in a more sensitive way so that they are less creased and ironed easily.

- i** Shirts may contain little amount of dampness at the end of the programme. It is advised not to leave the shirts in the dryer.

### •Jeans

You can use this programme to dry the jeans that are spun at high speeds in your washing machine.

- i** Review the relevant part of the programme table.

### •Delicates

You can dry at a lower temperature your very delicate laundry (silk blouses, fine underwear, etc.) that are suitable for drying or laundry which is advised to be hand-washed.

- i** It is recommended to use a cloth bag to avoid certain delicate garments and laundry from getting creased or damaged. Take your garments immediately out of the dryer and hang them after the programme ends in order to prevent them being creased.






### •Freshen Up

Only ventilation is performed for 10 minutes without blowing hot air. You can air your clothes that have been kept at closed environments for a long time thanks to this programme to deodorize unpleasant odours.

### •Timer programmes

You can select one of the 10 min., 20 min., 40 min. and 60 min. timer programmes to achieve the desired final drying level at low temperatures. Programme dries at the selected time regardless of the drying temperature.

## Programme selection and consumption table

EN					
Programmes		Capacity (kg)	Spin speed in washing machine (rpm)	Approximate amount of remaining humidity	Drying time (minutes)
<b>Cottons / Coloreds</b>					
	Cupboard dry	7	1000	60 %	114
	Normal dry	7	1000	60 %	119
	Iron dry	7	1000	60 %	90
Xpress 35 min.		2	1200-1400	50 %	35
Shirt		1.5	1000	50 %	40
Jeans		4	1000	50 %	80
<b>Synthetics</b>					
	Cupboard dry	3.5	800	40 %	48
<b>Delicates</b>					
	Cupboard dry	1.75	800	40 %	40
<b>Energy consumption values</b>					
Programmes	Capacity (kg)	Spin speed in washing machine (rpm)	Approximate amount of remaining humidity	Energy consumption value kWh	
Cottons linen Ready to wear*	7	1000	60 %	3.92	
Cottons Ready to iron	7	1000	60 %	3.25	
Synthetics Ready to wear	3.5	800	40 %	1.42	

\* : Energy Label standard programme (EN 61121:2005)

All values given in the table have been fixed according to EN 61121:2005 Standard. These values may deviate from the table according to the laundry type, laundry spin speed, environmental conditions and voltage fluctuations.

## Auxiliary function

### Cancel audio warning

Your dryer will give an audio warning when the programme comes to an end. If you do not want to hear the audio warning, press “Cancel Audio Warning” button. The relevant light will turn on when this button is pressed and an audio warning will not be given when the programme comes to an end.

**i** You can select this function either before or after the programme starts.

## Warning indicators

**i** Warning indicators may differ according to the model of your dryer.

## Filter cleaning

A warning light will turn on to remind filter cleaning after the programme finishes.

**i** If the filter cleaning warning light lights up continuously, please refer to, “Suggested solutions for problems”.

## Water tank

Warning light starts flashing when the tank is filled with water. The dryer stops operating if the warning light turns on when a programme is running. Drain the water in the water tank to restart the dryer. Press “Start/Pause/Cancel” button to start the programme after you have emptied the water tank. The warning light turns off and the programme resumes operating.

## Time delay

If you wish to dry your clothes at a later time, thanks to the time delay function, you can delay the programme start up to 3 hours, 6 hours or 9 hours.

1. Open the loading door and put the laundry in.

**i** Make sure that all air outlets are open, door filter is cleaned and the water tank is empty.

2. Set the drying programme and, if required, the auxiliary functions.

3. When the time programming button is pressed once, a 3 hour delay is selected and the relevant led lights. When the same button is pressed again, 6 hours; and if pressed once more, 9 hours delay will be selected. If the time programming button is pressed one more time, time delaying function will be cancelled. Set the time delay as you require.

4. Delayed operation of the selected programme is started by pressing the “Start/Pause/Cancel” button after selecting the time delay.

**i** Additional laundry may be loaded / taken out during the time delay period.

**i** During the time delay period, laundry is rotated for 4 seconds in every 10 minutes to prevent creasing.

## Cancelling the time delay

If you want to cancel the time delay countdown and start the programme:

1. Press “Start/Pause/Cancel” button for about 3 seconds.

2. Press “Start/Pause/Cancel” button to start the programme right away.

## Starting the programme

1. Press “Start/Pause/Cancel” button to start the programme.

2. Light of the “Start/Pause/Cancel” button will turn on to indicate that the programme has started.

## Progress of programme

Progress of a running programme is shown through the programme follow-up indicator. At the beginning of every programme step, the relevant indicator LED will light up and light of the completed step will turn off.

### “Drying”:

- Drying level will be illuminated during the whole drying process until the drying degree reaches “iron dry”.

### “Iron Dry”:

- Starts to illuminate when the drying degree reaches “iron dry” step and remains illuminated until the next step.

### “Cupboard dry”:

Starts to illuminate when the drying degree reaches “Ready to wear” step and remains illuminated until the next step.

### “Final / Anti-creasing”:

- Illuminates when the programme comes to an end and anti-creasing function is activated.

**i** If more than one LED light up or flash concurrently, it means there is malfunctioning or a failure (please see, Solution suggestions for problems).

## Changing the programme after it has started

You can use this feature to dry your clothes under higher or lower temperatures after your dryer has started.

For example;

1. Press and hold the “Start/Pause/Cancel” button for about 3 seconds to “Cancel” the programme in order to select “Extra Dry” programme instead of “Iron Dry” programme.

2. Select the “Extra Dry” programme by rotating the programme selection button.



3. Press "Start/Pause/Cancel" button to start the programme.
- i** Press "Start/Pause/Cancel" button for 3 seconds to cancel the programme or turn the programme selection knob in any direction to end the programme while the machine is running. Water tank and filter cleaning warning lights turn on to warn the user when the programme is cancelled by pressing the "Start/Pause/Cancel" button for 3 seconds. However, the warning lights do not turn on when the programme is cancelled by turning the programme selection knob. Only the drying light turns on and the machine remains in hold until a new programme is selected and the "Start/Pause/Cancel" button is pressed. Child-proof lock of the machine should not be active in order to perform these two operations. If the child-proof lock is active, deactivate it before performing these operations.

### Adding/removing laundry in standby mode

In order to add or remove laundry after the programme starts:

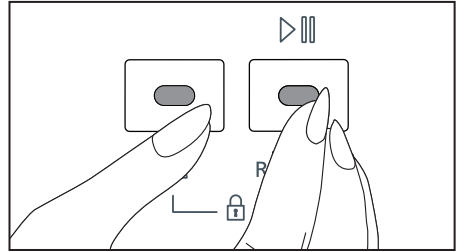
1. Press the "Start/Pause/Cancel" button to switch the dryer to "Pause" mode. Drying process will stop.
  2. Open the door at "Pause" position and close it again after adding or taking out laundry.
  3. Press "Start/Pause/Cancel" button to start the programme.
- i** Any laundry added after the drying process has started may cause the dried clothes in the machine intermingle with wet clothes and the result will be wet laundry after the drying process is over.
- i** Laundry may be added or taken out as much as desired during a drying process, but this process will extend the programme duration and increase energy consumption since the drying will be interrupted continuously. Therefore, it is recommended to add laundry before the drying programme has started.

### Child-proof lock

There is a child-proof lock to prevent any programme interruption due to the pressing of button while the programme is running. The loading door and all buttons except the "On/Off" button on the control panel are deactivated when the child-proof lock is active. Press the "Start/Pause/Cancel" and "Cancel"

audio warning" buttons simultaneously for 3 seconds to activate the child-press lock. To start a new programme after the programme is over or to interrupt the programme, the child-proof lock should be deactivated. Press the same buttons for 3 sec. again to deactivate the child-proof lock.

- i** Child-proof lock is deactivated when the machine is restarted by pressing the On/Off button.



- i** Press the relevant buttons for 3 seconds to activate the child-proof lock. A long beep will be heard and the child-proof lock will be activated. A double beep will be heard if you press any button or turn the programme selection knob while the child-proof lock is active. Press the buttons for 3 seconds to deactivate the child-proof lock. Single beep will be heard and child-proof lock will be deactivated.

- !** A double beep will be heard if you turn the programme selection knob when the machine is running and the child-proof lock is active. If you deactivate the child-proof lock without returning the programme selection knob to its previous position, the programme will be terminated since the position of the programme selection knob is changed. The drying light turns on and the machine remains on hold until a new programme is selected and the "Start/Pause/Cancel" button is pressed.

### Finishing by cancelling the programme

To cancel any selected programme: Press "Start/Pause/Cancel" button for about 3 seconds. The "Filter cleaning", "Water tank" and "End/ Anti-creasing" warning lights will turn on at the end of this period for reminding purposes.

- !** As the inside of the dryer will be excessively hot when you cancel the programme while the dryer is running, activate the ventilation programme to cool it down.

## End of programme

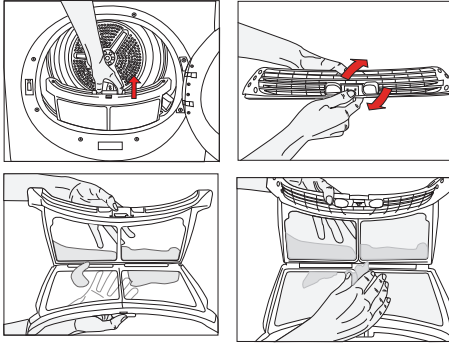
The “End/Anti-creasing”, “Filter cleaning” and “Water tank” warning lights on the programme follow up indicator will turn on when the programme comes to an end. The door can be opened and the machine becomes ready for a second cycle. Press “On/Off” button to turn off the dryer.

- i** Final step of the drying cycle (cooling step) is performed without heat application in order to keep the items at a temperature that would not harm them.
- i** A 2-hour anti creasing programme to prevent laundry from creasing will be activated if you do not take the laundry out after the programme has come to an end.
- i** If you will not take the laundry out immediately, do not stop the dryer before the drying process is complete.
- i** Clean the filter after each drying (please see, Filter cleaning).
- i** Drain the water tank after each drying (please see, Water tank)

## 7 Maintenance and cleaning

### Filter Cartridge / Door Inner Surface

Lint and fibres released from the laundry to the air during the drying cycle are collected in the "Filter Cartridge".

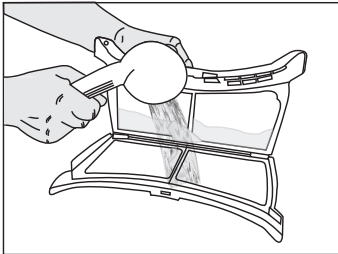


- i** Such fibre and lint are generally formed during wearing and washing.
- i** Always clean the filter and the inner surfaces of the cover after each drying process.
- i** You can clean the filter and filter area by vacuum cleaner.

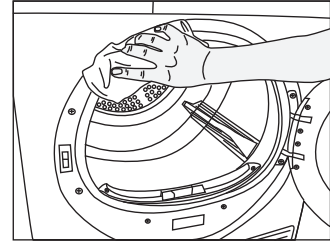
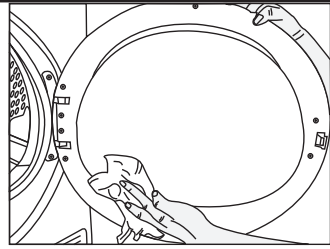
To clean the filter:

1. Open the loading door.
2. Remove the cover filter by pulling it up and open the filter.
3. Clean lint, fibre, and cotton by unravelling by hand or with a soft piece of cloth.
4. Close the filter and place it back into its seat.

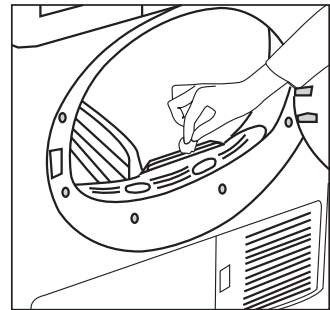
- i** Clogging may arise on the filter surface after using your machine for some time; if this occurs, wash the filter with water and dry it before using again.



- i** Clean the entire inner surface of the door and door gasket by wiping with a damp cloth.



### Sensor



There are humidity sensors in your dryer that detect whether the laundry is dry or not.

To clean the sensor:

1. Open the loading door of the dryer.
2. Allow the machine to cool down if drying has been carried out.
3. Wipe the metal sensors with a soft cloth, dampened with vinegar and dry them.

- i** Clean metal sensors 4 times a year.
- ⚠** Never use solvents, cleaning agents or similar substances when cleaning since these materials can cause fire and explosion!

### Water tank;

The moisture in the damp laundry is taken from the laundry and condensed. Drain the water tank after each drying cycle or during drying when "Water tank" warning light turns on.

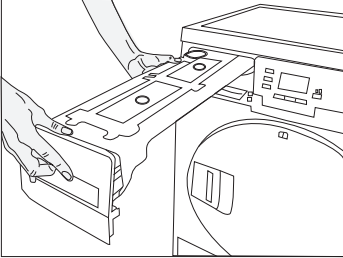
- ⚠** Condensed water is not drinkable!
- ⚠** Never take out the water tank when the

programme is running!

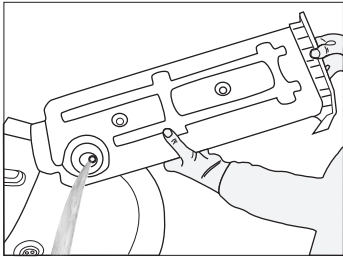
If you forget to drain the water tank, your dryer will stop during the following drying cycles when the water tank is full and the "Water tank" warning light will turn on. If this is the case, press the "Start/Pause/Cancel" button to resume the drying cycle after draining the water tank.

To drain the water tank:

1. Drain the water as shown on the picture .



2. If there is lint accumulation in the water tank cover, clean it and press to close.



3. Place the water tank into its seat.

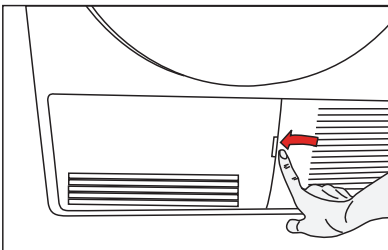
### For the condenser

Hot and humid air in the condenser is cooled with the cold air from the room. Thus, the humid air circulating in your dryer is condensed and then pumped into the tank.

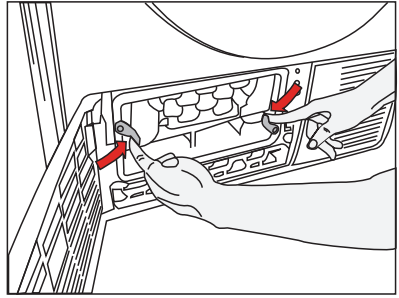
- f** Clean the condenser after every 30 drying cycles or once a month.

To clean the condenser:

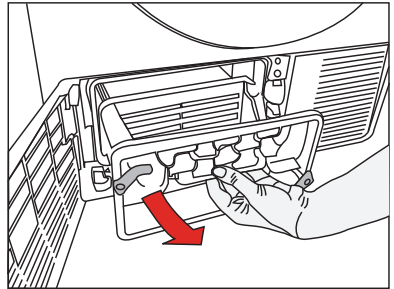
1. If a drying process has been carried out, open the door of the machine and wait until it cools down.



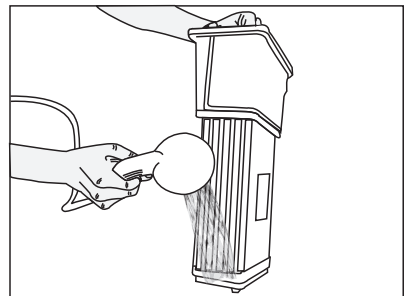
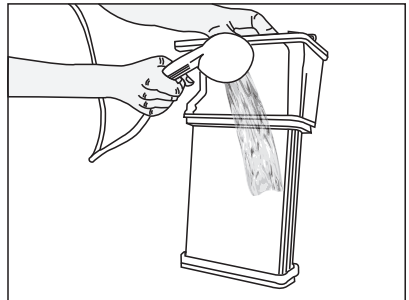
2. Unlock the 2 condenser locks after opening the kick plate.



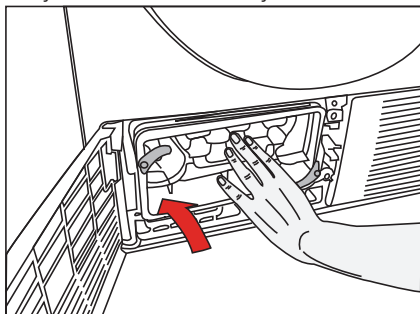
3. Pull out the condenser.



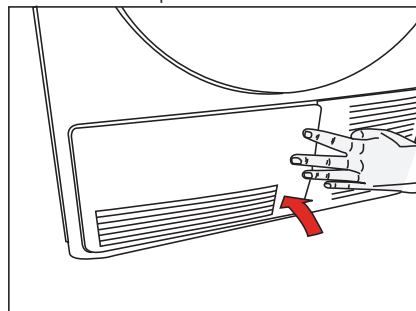
4. Clean the condenser by applying pressurized water with a shower head and wait until the water drains.



5. Place the condenser in its housing.  
Fasten the 2 locks and make sure that they are seated securely.



6. Close the kick plate cover.



## 8 Suggested solutions for problems

Drying process takes too much time

- Meshes of the filter may be clogged. Wash with water

Laundry comes out wet at the end of drying.

- Meshes of the filter may be clogged. Wash with water.
- Excessive laundry might have been loaded in. Do not load the dryer in excess.

Dryer does not switch on or the programme does not start. Dryer is not activated when set.

- It might have not been plugged in. Make sure that the machine is plugged in.
- The loading door may be ajar. Make sure that the loading door is properly closed.
- Programme might have not been set or the «Start/Pause/Cancel» button might have not been pressed. Make sure that the programme has been set and it is not in “Pause” mode.
- «Childproof lock» might have been activated. Deactivate the childproof lock.

Programme has been interrupted without any cause.

- The loading door may be ajar. Make sure that the loading door is properly closed.
- Electricity may be cut off. Press «Start/Pause/Cancel» button to start the programme.
- Make sure that the condenser cover and the red lock is closed securely.

Laundry has shrunk, become felted or deteriorated.

- A programme suitable for the laundry type might have not been used. Dry only the laundry which is suitable for drying in dryer after checking the labels on your clothes.
- Select a programme with suitable low temperature for the laundry type to dry your clothes.

Drum lightning does not come on. (For models with lamp)

- Dryer might have not been started by using the «On/Off» button. Make sure that the dryer is on.
- Bulb may have blown. Call the authorized service to replace the bulb.

“Final / Anti-creasing” LED flashes.

- The 2-hour anti creasing programme to prevent laundry from creasing might have been activated. Turn off the dryer and take out the laundry.

“Final / Anti-creasing” LED is on.

- Programme has come to an end. Turn off the dryer and take out the laundry.

The “Drying” LED flashes.

- A heat sensor failure has occurred. Dryer ends the programme without heating. Turn off the dryer and take out the laundry. Call your authorized service
- “Filter cleaning” LED is on.
- Filter might have not been cleaned. Clean the cover filter.

“Water comes out the cover”

- Clean the entire inner surface of the cover and door gasket.

“Cover opens spontaneously.”

- Push it until you hear that it is closed.

For products with a condenser:

“Water tank” warning LED is on.

- Water may be full. Drain the water in the tank.

“Condenser cleaning” LED is on.

- Condenser might have not been cleaned. Clean the filters in the condenser under the kick plate.

 Call an authorized service if the problem persists.

## 9 Guarantee

Your new product is guaranteed against the cost of breakdown repairs for twelve months from the date of the original purchase.

### What is covered?

- Repairs necessary as a result of faulty materials, defective components or manufacturing defect.
- The cost of functional replacement parts, but excluding consumable items.
- The labour costs of a approved repairer to carry out the repair.

### What is not covered?

- Transit, delivery or accidental damage or misuse and abuse.
- Cabinet or appearance parts, including knobs, flaps, handles or container lids.
- Accessories or consumable items including but not limited to, ice trays, scrapers, cutlery baskets, filters and light bulbs.
- Repairs required as a result of unauthorised repair or inexperienced installation that fails to meet the requirements contained in the user instruction book.
- Repairs to products used on commercial or non-residential household premises.
- Loss of frozen food in freezers or fridge/freezers. (Food loss insurance is often included within your household contents insurance policy, or may be available separately from your retailer).

### Important notes

- Your product is designed and built for domestic household use only.
- The guarantee will be void if the product is installed or used in commercial or non-residential domestic household premises.
- The product must be correctly installed, located and operated in accordance with the instructions contained in the User Instructions Booklet provided.
- Professional installation by a qualified Electrical Domestic Appliance Installer is recommended for all Washing Machines, Tumble Dryers, Dishwashers, Dryers and Electric Cookers
- Gas Cookers must only be installed by a Gas safe registered Gas Installer.
- The guarantee is given only within the boundaries of the United Kingdom and the Republic of Ireland.
- The guarantee is applicable only to new products and is not transferable if the product is resold.
- disclaims any liability for incidental or consequential damages.
- The guarantee does not in anyway diminish your statutory or legal rights.

## 10 Service

Please keep your purchase receipt or other proof of purchase in a safe place; you will need to have it should the product require attention under guarantee.

You should also complete the details below; it will help us assist you when requesting service. (The model number is printed on the Instruction Booklet and the serial number is printed on the Rating Label affixed to the appliance)

Model No:

Serial No:

Retailer:

Date of purchase:

### Republic of Ireland

All Refrigeration, 01 862 3411

All Cookers

Washing Machines & Dryers, Tumble Dryers

Dishwashers

Before requesting service please check the trouble-shooting guide in the Operating Instructions as a charge may be levied where no fault is found even though your product may still be under guarantee.

### Service once the manufacturers guarantee has expired.

If you have purchased an extended guarantee please refer to the instructions contained within the extended guarantee agreement document. Otherwise please call the appropriate number above where service can be obtained at a charge.

Should you experience any difficulty in obtaining service please contact the Customer Help-Line.

Tel: 0845 600 4911

For service under guarantee simply telephone the appropriate number below.

### UK Mainland & Northern Ireland

Fridges & Freezers 0845 600 4903

Electric Cookers 0845 600 4902

Gas & 0845 600 4905

Dual Fuel Cookers

Washing Machines & Dryers

Tumble Dryers 0845 600 4906









# BEKO



**Beko plc Beko House, Caxton Way, Watford  
Hertfordshire, WD18 8UF**

Tel: 0845 6004911

Fax: 0845 6004922

Email: [service@beko.co.uk](mailto:service@beko.co.uk)

[www.beko.co.uk](http://www.beko.co.uk)

## Free Manuals Download Website

<http://myh66.com>

<http://usermanuals.us>

<http://www.somanuals.com>

<http://www.4manuals.cc>

<http://www.manual-lib.com>

<http://www.404manual.com>

<http://www.luxmanual.com>

<http://aubethermostatmanual.com>

Golf course search by state

<http://golfingnear.com>

Email search by domain

<http://emailbydomain.com>

Auto manuals search

<http://auto.somanuals.com>

TV manuals search

<http://tv.somanuals.com>