

Dishwasher

DW603

Welcome

Dear customer

Congratulations on your choice of a Beko quality dishwasher which has been designed to give you lasting service.

Please read these instructions before installing the dishwasher and using it for the first time. The information contained herein is provided to avoid accidental risks and/or damage to your appliance

Make sure you understand the controls prior to using your appliance. The dishwasher must only be used for its intended purpose, i.e. the washing of dishes in the home. Failure to observe these instructions may invalidate your right to free service during the guarantee period.

Please keep these instructions in a safe place for your future reference

If you have any questions, or if you are not sure about any information contained in this booklet please contact us - details are on the back cover.

Beko Customer Service

Notes

Due to the quality control processes during production, there may be some water left in your machine. This does not cause any damage.

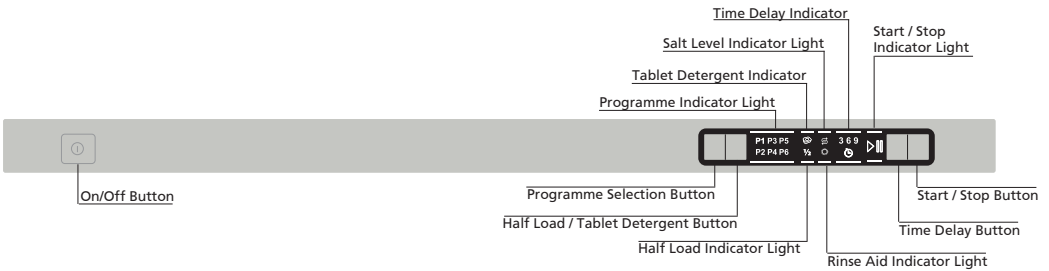
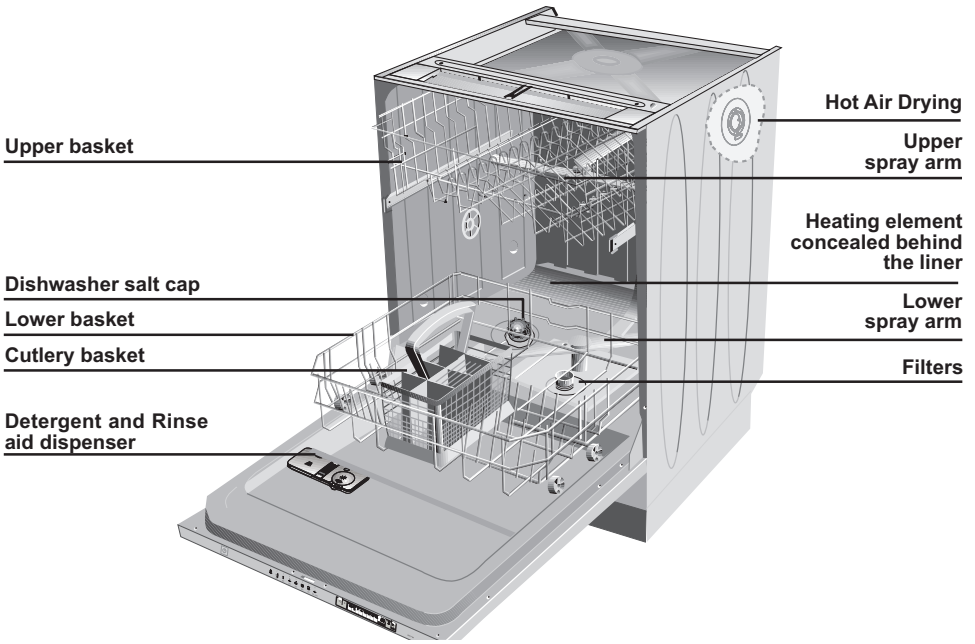
Preparation before use

It is recommended that the dishwasher is operated on the Eco programme with prewash before loading with dishes.

TABLE OF CONTENTS

1. Know your dishwasher / specification	3	8. Before calling service / Trouble shooting	23
2. Warning and safety information	5		
Electrical Safety	5		
Children's Safety	5		
General	5		
Recycling	6		
What should not be washed in your dishwasher	6		
3. Before first use	7		
Electrical requirements	7		
4. Installation	7		
Warning	8		
This appliance must be earthed	8		
Important	8		
Fitting a different plug	8		
Water inlet hose connection	9		
Drain Hose Connection	9		
Installation of dishwasher	10		
5. How to use	11		
Water hardness & regeneration settings	11		
Detergent use	13		
Filling detergent dispenser	15		
Rinse aid	16		
Loading the dishwasher	17		
Folding plate support rods	18		
Movable Cutlery Basket	18		
Upper basket height adjustment	19		
6. Operating the dishwasher	20		
Hot Air Drying	20		
7. How to clean your machine	21		
Upper spray arm	22		
Lower spray arm	22		

1 Know your dishwasher / specification



Specification

Load Capacity	: 12 Place settings
Height	: 820 mm
Width	: 598 mm
Depth	: 570 mm
Net weight	: 36 kg
Supply voltage	: 220-240 V ~ 50 Hz
Fuse current	: 13 A
Total power	: 1900-2200 W
Heater power	: 2000 W
Pump powers	: 125/30 W
Diameter of plates for	
Upper basket	: 25 cm max.
Lower basket	: 31 cm max.

Because we continually strive to improve our products, we may change our specifications and designs without prior notice.

Note for Testing Institutes

The necessary information for performance testing will be provided upon request. The request can be done by e-mail through:

dishwasher@standardloading.com

Please do not forget to write the model code ,stock code and serial number information of the appliance besides your contact information in the e-mail.

The model code, stock code and serial number information can be found on the rating label, which is placed on the side of the door.

2 Warning and safety information

Electrical Safety

The dishwasher should only be operated on the voltage specified. For electrical safety, only earthed plugs and sockets should be used. Always use the fused plug provided with the appliance. The user is responsible for meeting these basic safety requirements. The life of your machine and your safety depend on you using an electrical installation compliant to standards.

Do not use an extension cable. When disconnecting your machine from the mains supply, always pull from the plug. Never pull the cord itself.

Children's Safety

Never allow your children to play with your dishwasher.

Dishwasher detergents contain irritants and abrasives. These ingredients might have caustic effects in the eyes, mouth and throat.

They can be extremely dangerous if swallowed. Avoid contact with skin and eyes. Check that the detergent receptacle is empty after completion of the wash cycle.

Keep detergents out of children's reach and do not put detergent in the machine until right before you start the washing programme.

The water in your dishwasher is not suitable for drinking, for this reason do not allow your children near your

machine when the front door is open. Never allow your children to play on or sit onto the front door when the front door is open.

After unpacking your machine, keep the packing material out of children's reach.

Warning !

Long cutlery, such as ladles and long knives, etc must be placed horizontally on top of the full cutlery basket or on the racks to prevent accidental injury.

General

This dishwasher has been designed to clean your dirty dishes at home.

Never use chemical solvents in your machine; this may lead to explosion risk.

Never use materials other than specially produced softening salts in the salt dispenser of your machine.

Never use materials other than specially produced detergents and rinse-aids in the detergent and rinse aid dispensers of your machine.

Please dispose of the packaging material and old appliances carefully. Please ensure old machines do not become a threat to child safety. It is known that children lock themselves in unused machines. To avoid such a problem it is advised that you cut the mains cable off and break the door latch so it does not lock.

The door of your machine is designed to support the weight of a full basket when the lower basket is pulled all the way out. Never place any other load on the door, otherwise the machine may tip over.

After using the dishwasher always close the door as an open door can be a hazard.

Do not open the door whilst the appliance is in operation.

Recycling

Please help us to protect our environment. Packing materials and some parts of your machine are produced using recyclable materials. These materials are marked up with recycling symbol and material type information (>PE<, >PS<, >POM< ...). These raw materials should not be mixed with general refuse and should be given to recycling centers. We suggest you contact your local authority for disposal information and facilities available.



This product bears the selective sorting symbol for waste electrical and electronic equipment (WEEE).

This means that this product must be handled pursuant to European Directive 2002/96/EC in order to be recycled or dismantled to minimize its impact on the environment. For further information, please contact your local or regional authorities.

Electronic products not included in the selective sorting process are potentially dangerous for the environment and

human health due to the presence of hazardous substances.

What should not be washed in your dishwasher

Do not wash items soiled with cigarette ash, candle, paint wax, dyes, chemicals etc. since these may damage your machine

Do not wash forks, knives and spoons with wooden or bone handles, items stuck together with adhesives, plastic items not resistant to high temperatures. Copper, tin items and aluminium ware in your dishwasher.

As with hand washing, some “on-glaze” decorated china, aluminum or silver have a tendency to discolour or fade. Also, certain types of glassware and crystals may lose their shine and become opaque in time.

A chemical reaction can occur between silver cutlery and stainless steel cutlery. As a precaution, do not wash together.

Iron and cast iron objects can rust and stain other items.

Pay special attention to whether or not the item you wash in the dishwasher is dishwasher-proof.

If in doubt, contact the manufacturer of the item.

Do not overload your dishwasher or do not load items other than those mentioned in this manual.

3 Before first use

After unpacking your dishwasher, check the machine against any possible transportation damage. Never install and use damaged machines. If your machine is damaged contact your retailer. Always have your machine installed by qualified electrician/plumber to ensure correct installation.

Any repairs and maintenance work on this dishwasher should be carried out by authorised service staff only. Unauthorised repairs are not only dangerous, but also lead to the cancellation of your warranty.

If your dishwasher has an Internal Lighting; in case of a defect broken lamps can be changed by an authorized service technician.

Make sure the electricity and water connections of your dishwasher are in compliance with the instructions for assembly as stated in the relevant part of this booklet.

It is recommended that the dishwasher is operated without dishes for very first wash for hygiene reasons.

Before the first wash, **add 1 lt of water to the salt container of your machine.**

4 Installation

When deciding on where to install your new dishwasher, ensure that the position of your dishwasher makes it easy and quick for you to place the dishes in the dishwasher and also to take them out and store away after the dishwashing is completed.

Avoid placing the dishwasher where the ambient temperature is likely to fall below. 5 degrees C. (41° F)

When positioning your appliance, take care not to damage your flooring, pipes wall coverings etc. Do not move the appliance by pulling by the door or handle

Electrical requirements

Before you insert the plug into the wall socket make sure that the voltage and the frequency shown in the rating label corresponds to your electricity supply.

We recommend that this appliance be connected to the mains supply via a suitable switched and fused socket in a readily accessible position.

If the supply cord or the mains lead is damaged please do not replace it yourself. The supply cord or the mains lead must be replaced by a Beko Authorised Service Agent or a similarly qualified person.

Warning

This appliance must be earthed


If the fitted moulded plug is not suitable for your socket, then the plug should be cut off and an appropriate plug fitted.

Destroy the old plug, which is cut off as a plug with a bared cord could cause a shock hazard if inserted into a socket elsewhere in the house.

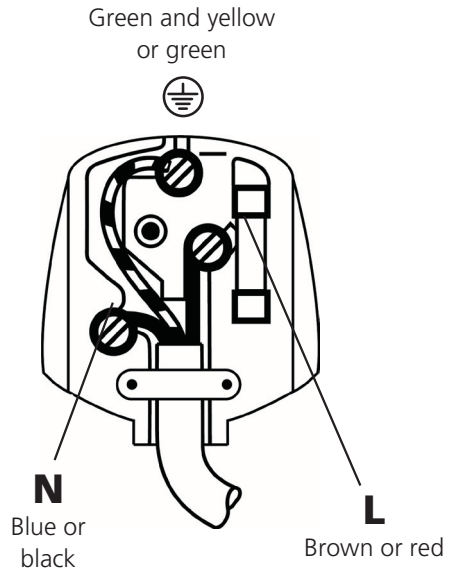
The moulded plug on this appliance incorporates a 13A fuse. Should the fuse need to be replaced an ASTA approved BS1362 fuse of the same rating must be used. Do not forget to refit the fuse cover. In the event of losing the fuse cover, the plug must not be used until a replacement fuse cover has been fitted. Colour of the replacement fuse cover must be the same colour as that visible on the pin face of the plug. Fuse covers are available from any good electrical store.

Important Fitting a different plug

As the colours of the wires in the mains lead of this appliance may not correspond with the coloured markings identifying the terminals on your plug, proceed as follows:

1. Connect the green - yellow or green (earth) wire to the terminal in the plug marked 'E' or with the symbol  or coloured green and yellow or green.
2. Connect the blue (neutral) wire to the terminal in the plug marked 'N' or coloured black.
3. Connect the brown (live) wire to the terminal in the plug marked 'L' or coloured red.

With the alternative plugs a 13A fuse must be fitted either in the plug or adaptor or in the main fuse box. If in doubt contact a qualified electrician.



Water inlet hose connection

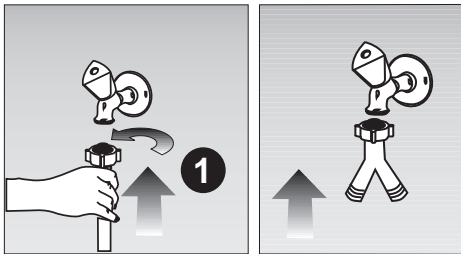
Make sure your plumbing is suitable to install your new dishwasher. If in doubt contact a qualified plumber.

The appliance must be connected to the water mains using the new hose set supplied with your new dishwasher. Old hose sets must not be re-used.

The water pressure coming from the water mains supply must be a minimum of 0.3 and a maximum of 10 bars.

Connect the straight end to your water mains supply ❶ Ensure plastic filter and black rubber seal is in place. Please turn on the tap and check for leakages after connecting the hose.

We recommend the tap is turned off when the machine is not being used. If you only have one cold water feed (For example for your washing machine) don't worry, a Y adaptor will provide you with the additional cold water feed you need for your dishwasher. Y adaptor is available from most DIY stores.



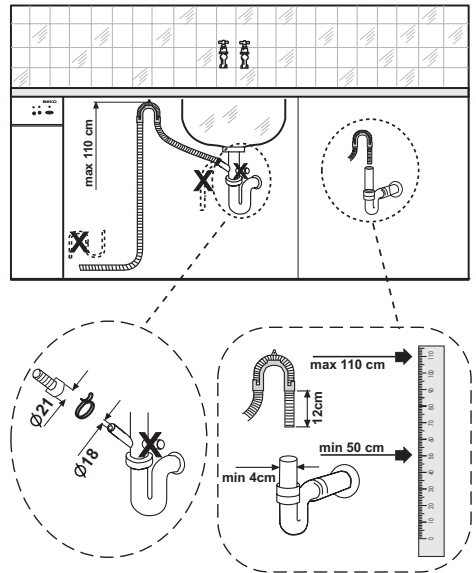
Drain Hose Connection

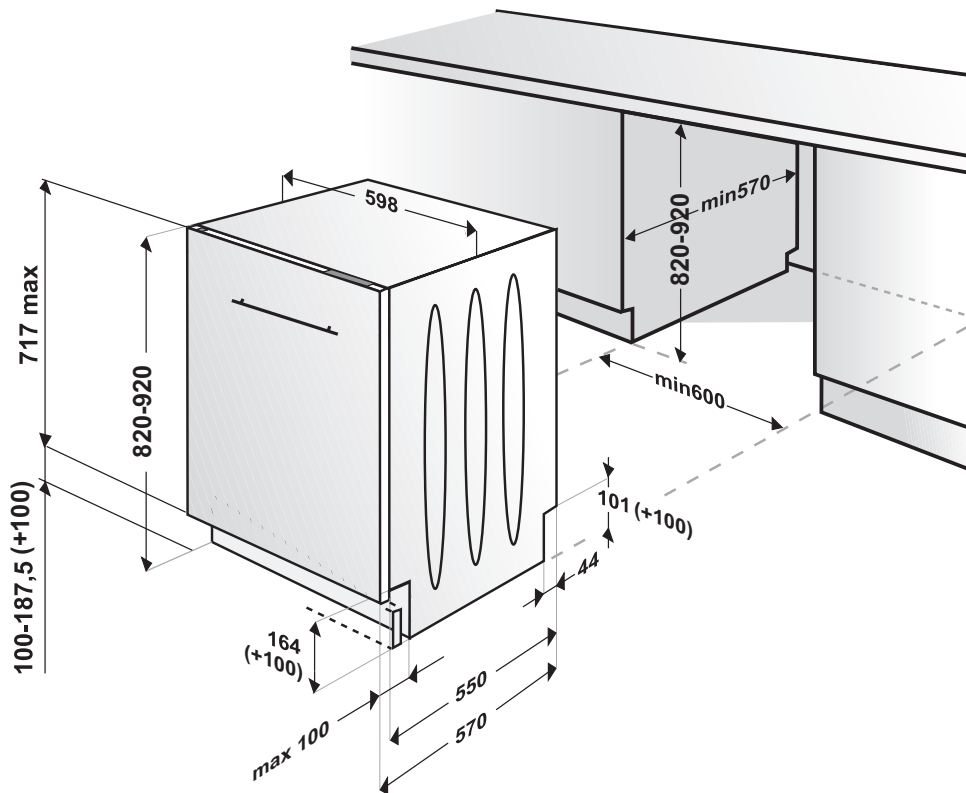
Fit the drainage hose of your machine to the drainage pipe without bending.

Secure your hose firmly to the waste pipe to avoid it coming off during the washing process.

The waste pipe must only be connected into the foul drains and not surface water drainage system.

The hose should be placed between 50 cm and 110 cm from the floor level and must not be extended otherwise the machine may not empty the waste water.





Installation of dishwasher

An additional sheet containing assembly and installation instructions is provided with your appliance. Please follow the instructions and precautions contained in the mentioned sheet in order to assemble and install your dishwasher easily and correctly.

See the diagram above and also the additional sheet. Ensure there is a clearance each side of the machine to allow slight side ways movement for servicing.

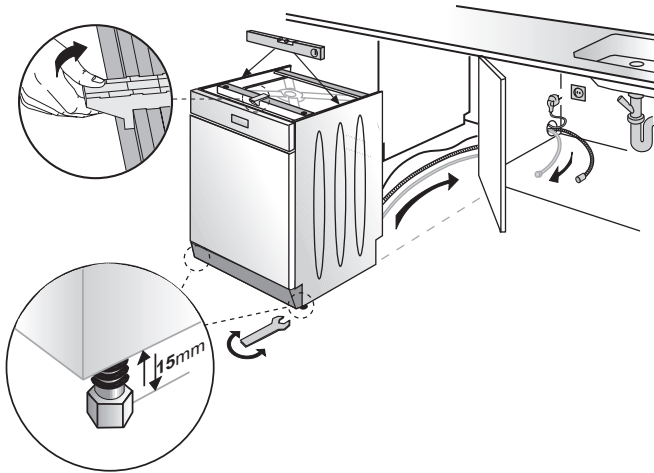
Note:

Position the machine next to a water tap and a drain.

When inserting the machine, ensure that the water inlet and drain hoses are not kinked or squashed.

Care must be taken to ensure that the appliance does not stand on the electrical supply cable.

Good levelling is essential for correct closure and sealing of the door,



Make sure your dishwasher is perfectly level using the adjustable feet.

When the appliance is correctly levelled, the door will not catch on the inner liner on either side of the cabinet.

If the door does not close correctly, loosen or tighten the adjustable feet, until the machine is perfectly level.

Ensure that door furniture is fitted properly and check that the door does not catch any other surface to ensure the door is closed smoothly.

5 How to use

Water hardness & regeneration settings

The dishwasher requires lime free water. Hard water leaves watermarks on your dishes. Your dishwasher has a special water softening system to remove the hardness of the tap water. Setting this system correctly will increase the washing effectiveness.

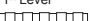





To find out the water hardness level of water in your area, contact your local Water Board or Determine water hardness level by the help of test strip provided.

If you move to a different location, the level of water hardness will possibly be different. It is essential to reset the water hardness in order to obtain optimum washing efficiency.

Test Strip

<p>a</p>	<p>b</p>	<p>c 1 second</p>	<p>d</p>	<p>e 1 minute</p>	<p>f</p> <table border="0"> <tr> <td>Level 1</td> <td></td> <td>No Lime</td> </tr> <tr> <td>Level 2</td> <td></td> <td>Very low lime content</td> </tr> <tr> <td>Level 3</td> <td></td> <td>Low lime content</td> </tr> <tr> <td>Level 4</td> <td></td> <td>Medium lime content</td> </tr> <tr> <td>Level 5</td> <td></td> <td>High lime content</td> </tr> <tr> <td>Level 6</td> <td></td> <td>Very High lime content</td> </tr> </table>	Level 1		No Lime	Level 2		Very low lime content	Level 3		Low lime content	Level 4		Medium lime content	Level 5		High lime content	Level 6		Very High lime content
Level 1		No Lime																					
Level 2		Very low lime content																					
Level 3		Low lime content																					
Level 4		Medium lime content																					
Level 5		High lime content																					
Level 6		Very High lime content																					
<p>Remove the test strip from its packing.</p>	<p>Let the water flow from your tap for 1 minute.</p>	<p>Fill a glass with tap water and dip the test strip into water for 1 second.</p>	<p>Take the test strip out of the water and shake it.</p>	<p>Hold for 1 minute.</p>	<p>Set the water hardness level of your dishwasher according to the result shown by the test strip.</p>																		

Water Hardness Level Adjustment Table

Hardness Level	English Water Hardness °dE	German Water Hardness °dH	French Water Hardness °dF*	Water Hardness Level Indicator
1 st Level 	0-5	0-4	0-8	Press the Programme Selection button to set the water hardness level to P1 position.
2 nd Level 	6-9	5-7	9-13	
3 rd Level 	10-15	8-12	14-22	Press the Programme Selection button to set the water hardness level to P2 position.
4 th Level 	16-19	13-15	23-27	Press the Programme Selection button to set the water hardness level to P3 position.
5 th Level 	20-24	16-19	28-34	Press the Programme Selection button to set the water hardness level to P4 position.
6 th Level 	25-62	20-50	35-90	Press the Programme Selection button to set the water hardness level to P5 position.

- Turn on the machine by pressing On / Off key while pressing and holding the Programme Selection key when the machine is in off position. Press and hold the programme key until the water hardness level stored on your machine is displayed in the program indicator. Start / Pause indicator will start flashing once the stored water hardness setting is displayed.
- By using Programme Selection key, adjust water hardness level according to the hardness of the supply water. See “Water hardness level adjustment table” for correct setting.
- Select the water hardness level suitable to your machine from the Water Hardness Level Adjustment Table by pressing the Delayed Start Key.
- Press «Start/Pause/Cancel» key for once to store the level you have selected.
- Start / Stop icon will light continuously when the new water hardness level is stored.
- Press the On/Off button to turn off your machine.

If the hardness level of the water that you use is above 90 °dF (French standard for water hardness) or if you are using well water, than it is recommended to use filter and water purification devices.

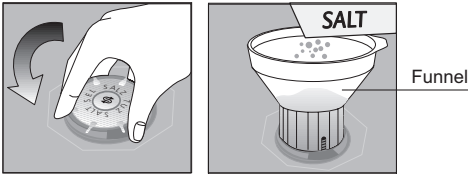
* If the hardness level of the water that you use is below 8°dF (French standard for water hardness), there is no need to use salt in your dishwasher. If this is the case, “No Salt Warning Indicator” (if any) illuminates continuously on the panel of your machine.

If the water hardness adjustment is set to level 1, the “No salt warning indicator” will illuminate continuously although it is not necessary to use salt. If you use salt under this condition, salt will not be consumed and the lamp will not illuminate.

Adding Dishwasher Salt

Only use special pelletized dishwasher salt in your machine to soften the hard water. Never use other types of salts including table salt, animal feeding salt, sea salt, culinary salt. These types of salt do not dissolve in water easily and will damage your appliance beyond repair.

When you run the dishwasher, the Water softener will be full of water. Therefore, adding softening salt should always be done immediately before you start the dishwasher.



Caution: Only fill with salt just before starting one of the complete washing programmes to prevent any grains of salt causing corrosion. Ensure 1lt of water has been added. You can put approximately 2 kg softening salt in the Water softener.

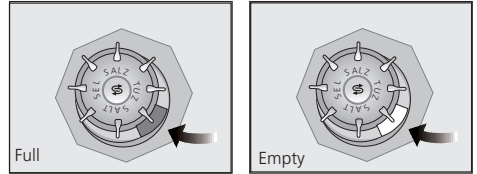
To fill the container with softening salt, remove the lower rack first and unscrew the cap of the water softener turning anti clockwise.

Using the funnel provided will make filling easier.

After you fill the container, screw cap tightly back into place turning clockwise until you hear a click sound.

In case the light of the salt indicator is still on for a long time after filling with salt, mix the salty water inside the salt box using a spoon.

Visual indicator



Detergent use

Any brand of powder, gel and tablet detergents that have been designed for household dishwashers, may be used.

Keep detergents in a cool and dry place and out of the reach of children.

Detergent must be added to the container before each use.

Detergent overdose may cause scratches on your dishes and there may be traces of detergent left in your machine.

Three types of detergent are available

- Phosphate and containing chlorine.
- Phosphate containing no chlorine
- Neither containing phosphate nor chlorine

New compact powders are generally phosphate-free. As phosphates have water softening properties, we suggest you add salt to the salt container even if the hardness of your water is as low as a 6 clarke degrees.

In hard water areas if a phosphate free detergent is used, white marks on the dishes and glasses may be observed. It may be prevented by increasing the amount of detergent.

Detergents without chlorine have less bleaching effect. Coloured stains may not be completely removed. This may be prevented by increasing the amount of detergent, using a programme with a higher wash temperature or using a detergent with chlorine.

Warning!

Two-in-one and three-in-one detergents

You will obtain the best results from your dishwasher if you use separate detergent, rinse aid and water-softening salt.

Detergent manufacturers also produce combined detergents known as 'two-in-one' and 'three-in-one'.

Three-in-one: These products contain detergent, rinse aid and water-softening salt.

Two-in-one: These products contain detergent and either rinse aid or water-softening salt.

In general, you will obtain satisfactory results from combined detergents only under specific usage conditions. These detergents contain predetermined amounts of rinse aid and/or softening

salt. This means that you cannot adjust the amount of water-softening salt and rinse aid required to suit the water hardness level in your home.

You should bear the following points in mind when using such detergents:

- Be sure to check the specifications of the product you are using and whether it is a combined product or not.
- Follow the instructions on the packet when using these products.
- The use of these products at the correct appliance settings will ensure economical use of salt and/or rinse aid.
- If the detergent is in tablet form, never place these in the internal section or cutlery basket of the dishwasher. Always place the tablets in the detergent dispenser of the detergent holder.

Using three-in-one detergent, softening salt and rinse aid.

- These detergents will not give you the same drying performance that you can obtain by using separate detergent, salt and rinse aid. To increase the drying performance:
- Put your appliance's rinse aid setting at "1" and apply rinse aid. When the rinse aid is used up, add more rinse aid to the rinse aid dispenser.
- If you use combined detergents with a rinse aid setting higher than 1, hand contact may leave rainbow-coloured water stains on the washed items and inside the machine.
- If you use combined detergents without adding salt, lime scale may

form especially on glasses. To avoid lime scale formation:

- Put your appliance's water softener setting at "1" and add salt. When the salt is used up, add more salt to the water softener.

Using two-in-one detergent: detergent and softening salt

- These detergents do not contain rinse aid so you need to use the rinse aid setting as described in the manual, making sure that there is rinse aid in the rinse aid dispenser with every wash and that you refill the rinse aid dispenser with rinse aid every time it is empty.

Using two-in-one detergent and rinse aid

- These detergents will not give you the same drying performance that you can obtain by using separate detergent, salt and rinse aid. To increase the drying performance:
- Put your appliance's rinse aid setting at "1" and apply rinse aid. When the rinse aid is used up, add more rinse aid to the rinse aid dispenser.
- If you use combined detergents with a rinse aid setting higher than 1, hand contact may leave rainbow-coloured water stains on the washed items and inside the machine.
- These detergents do not contain softening salt so you need to use the softening setting as described in the manual, making sure that there is salt in the water softener with every wash and that you refill the water softener with salt every time it is empty.

Important warning

Should you encounter a problem that has previously never occurred after you start using these detergents, contact the detergent manufacturer directly. You will find contact details on the packet.

If you stop using this kind of detergent:

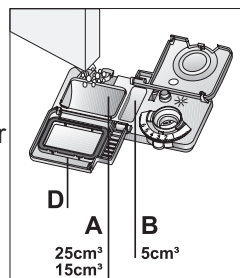
- Ensure that the salt and rinse aid dispensers are full.
- Put the water hardness setting at the highest level and run a wash cycle with the appliance empty.
- After washing while empty, return the water hardness setting to the correct level for your mains water hardness shown in the manual.
- Put the rinse aid setting at the correct level.

Filling detergent dispenser

If the dishwasher is considerably full and the dishes are relatively dirty,

fill the main container (A) up to 25cm³ level. If the dishwasher is not quite full and the dishes are only slightly soiled, fill the main container (A) only up to 15cm³ level.

If your dishes are kept unwashed for a long time and the food particles are stuck on the dishes also fill the small container (B) up to 5cm³. Depending on the degree of soiling and the water hardness in your area it may be necessary to add more detergent.



Powder and gel detergents are poured into the dispenser.

If you are using tablet detergent read the manufacturer's recommendations on the packaging in order to determine where the tablets should be placed inside the dishwasher (detergent dispenser, cutlery basket, etc.) After you put in the detergent, shut the container lid (D) and ensure you hear the clicking sound.

During the wash programme the detergent will dispense automatically and the lid (D) will remain open when the programme finishes.

Detergent residues

Regular use of low temperature washes and/or short duration programmes can lead to undissolved detergent residue build up. We recommend to carry out a service wash at the highest temperature possible every 3 - 4 months with the dishwasher empty and without using detergent.

Rinse aid

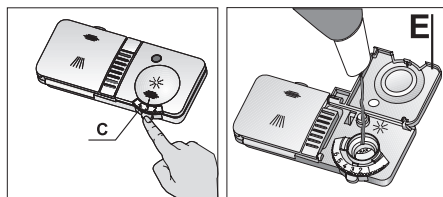
Use only rinse aid intended for household dishwashers.

The rinse aid is specially formulated to be used in the dishwashers for the prevention of watermarks and scale on dishes and to increase the efficiency of the washing and drying processes. Therefore, make sure that there is adequate amount of rinse aid in the rinse aid dispenser of your machine.

You can adjust the amount of rinse aid used during the wash programme by turning the rinse aid dispenser regulator (C).

The dispenser regulator (C) may be set

between levels 1 and 6 (6 being the maximum amount of rinse aid usage). Your machine is pre-set at the factory to level 4.



According to the finish and drying results obtained, adjust the dose of rinse aid by means of the six position selector. (Position 1: minimum dose, Position 6: maximum dose.) Gradually increase the dose if there are drops of water or lime spots on the dishes after washing. Reduce it if there are sticky whitish streaks on the dishes.

Filling the rinse aid dispenser

Open the rinse aid dispenser lid by pressing the button as shown in the diagram.

Fill up with rinse aid until the container is full to level of 'max' mark .

Put the lid (E) on and ensure you hear the clicking sound.

Remember to CLOSE the lid after every refill.

Make sure you clean any rinse aid that you might have spilled.

Loading the dishwasher

Loading the dishwasher correctly will increase the washing, drying and energy performance of your machine. Examine the information given in this section and the information stated in the Programme chart and quick reference card given with the manual. Remove any large scraps of food from the dishes before placing in the dishwasher to avoid clogging the filters.

There are three separate baskets, in which you can put your dishes. Place large or heavily soiled items in the lower basket, and small, light or delicate articles in the upper basket. Put forks, small and medium size knives and spoons in the cutlery basket. Place tall, narrow items in the middle of the racks. Long-stemmed glasses should lean against the basket, the racks, or the supports not against the dishes.

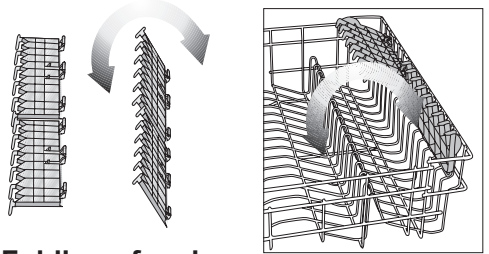
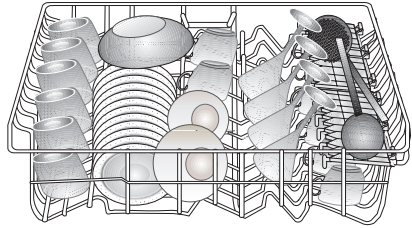
The shelves on the rack are made height adjustable to accommodate tall items.

When loading your dishwasher please ensure tall glasses (and/or wine glasses) rest against the sides of the upper basket. Do not allow tall glasses to rest against each other since they may be damaged during washing if not properly supported.

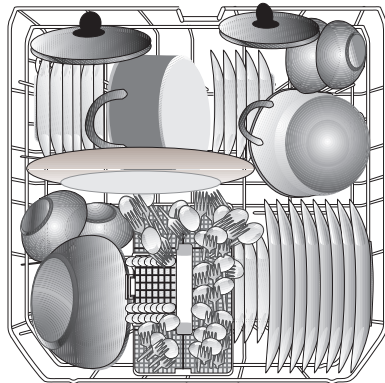
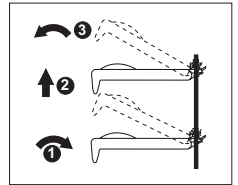
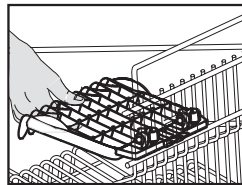
Always arrange saucepans, cups and glasses etc. upside down.

You can fold the racks in the upper basket when you need more space for larger items.

Always arrange saucepans, cups and glasses etc. upside down. You can fold the racks in the upper basket when you need more space for larger items.



Folding of racks

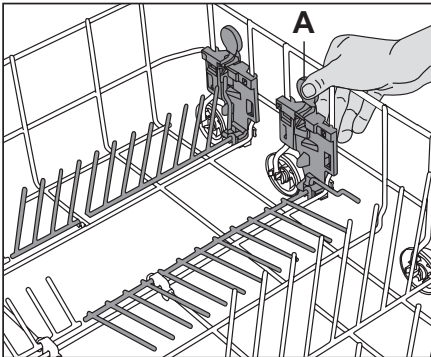
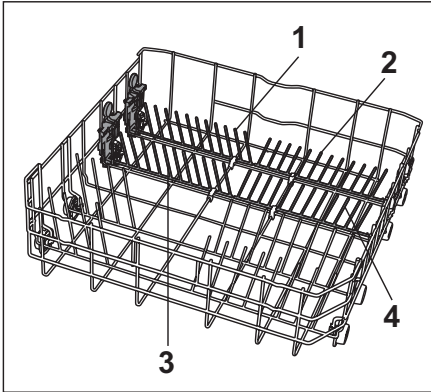


Incorrect Loadings



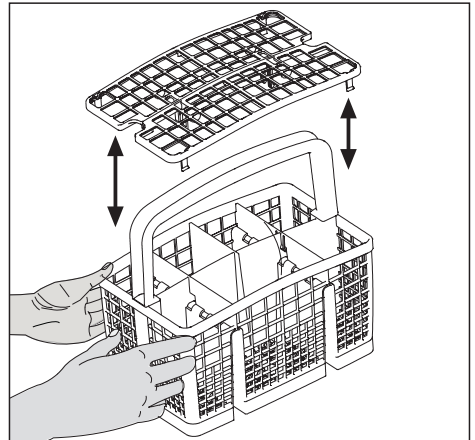
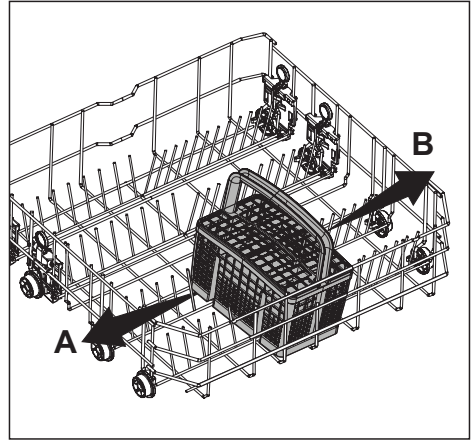
Folding plate support rods

There are four separate “folding plate support rods” in the lower basket of your dishwasher designed to allow you more space to accommodate saucepans and large bowls in the lower basket. You can either fold each section (1,2,3,4) individually or, all at once, to create a large empty space. Simply press the handgrips (A) and fold them down”



Movable Cutlery Basket

Designed to allow free placement of the dishes according to their size, the movable cutlery basket can slide over the tines to the left (A) and right (B) side.



Upper basket height adjustment

The upper basket is equipped with a lifting mechanism which enables you to change the height of the basket even if it is fully loaded, and without having to remove it from the dishwasher.

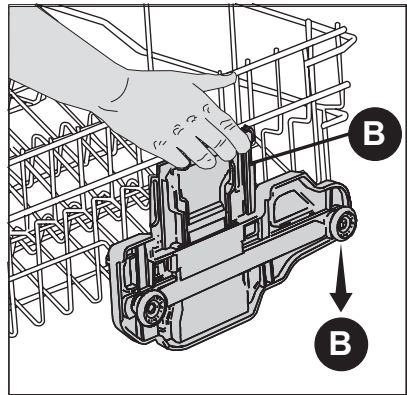
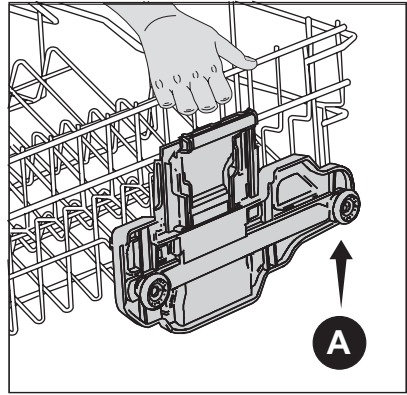
The height of the upper basket was set at the factory to the lowest position. To lift the upper basket to the “high”

● position, hold it on one side and carefully pull it upwards. To lift the opposite side of the basket, hold it and pull it upwards in the same manner. ●

To lower the upper basket, hold the basket lever on one side and carefully lower the basket without releasing the lever.

● Repeat the procedure with the lever on the opposite side of the basket.

Make sure that both levers catch in the same height position.



6 Operating the dishwasher

- Turn the water tap on. Open the door of the machine.
- Check that the upper and lower arms can rotate freely.
- Add the detergent
- Close the door of the machine
- Push in the on/off button and check that the programme indicator lights come on.
- Check the salt and rinse aid level indicator lights before you start the machine. If necessary add salt and rinse aid.
- Select the required programme by referring to the programme chart. Choose the desired programme
- Press start / stop button and check that the start / stop indicator light comes on.

! Do not open the dishwasher door whilst the appliance is in operation. However, in case the door is opened while the machine is working, then a safety mechanism ensures the machine immediately stops. Water may be very hot, so be careful.

! Care must be taken if opening the door, as steam and water will escape.

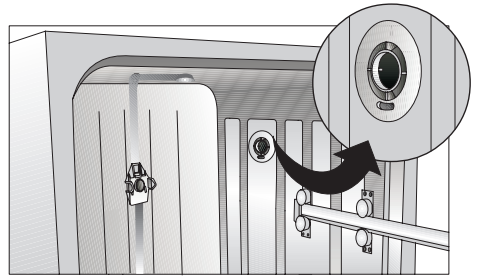
- Press the on/off button after the programme is completed. The indicator lights will go off.
- Unload the baskets - we recommend to turn off the water tap when not in use

! Just after the dishwasher has started the selected programme, if you find that you want to put in another item to be washed, open the door carefully.

Care must be taken if opening the door, as steam and water will escape. Then after putting in the item, close the door. The dishwasher will resume operation.

Hot Air Drying

Hot Air Drying ensures your dishes are dried efficiently.



Unloading dishwasher

Dishes should be allowed to cool for about 15 - 30 minutes after the end of the programme.

You will improve drying results by leaving the dishwasher door ajar for at least 15-30 minutes as soon as the programme finishes.

! Care must be taken when opening the door, as steam will escape.

First unload the lower, then the upper rack. This prevents drops of water from falling onto the full lower basket when the dishes in the upper basket are being removed.

7 How to clean your machine

Cleaning your machine at regular intervals ensures longer product life and reduces the risk of recurring problems. Clean spray arms and in particular filters at least once a week

! Always unplug the appliance and turn off the water supply before cleaning.

To clean the door seal, use a neutral detergent and a damp cloth. To clean the control panel, use only slightly damp cloth.

! Do not use abrasive detergents.

If the appliance is not going to be used for a long period of time, switch off, turn off the water clean and leave the door ajar.

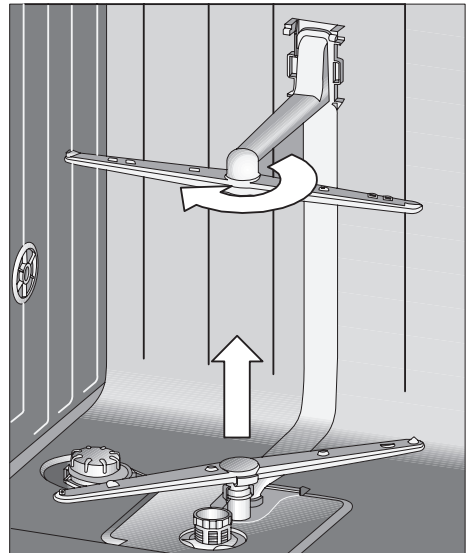
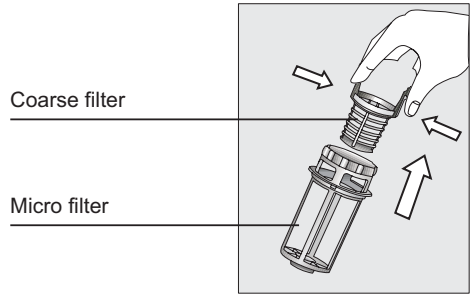
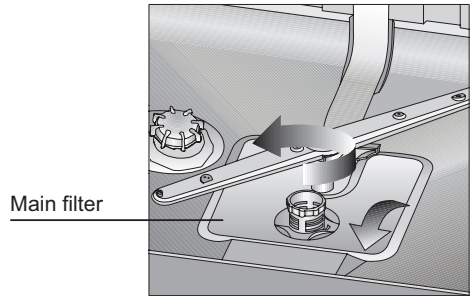
How to clean the filters and spray arms filters
For the efficient operation of your dishwasher, check the filters and the spray arms regularly.

There are three different filters in your machine

Main filter
Coarse filter
Micro filter

To remove the coarse and micro filter assembly to clean, turn it anti clockwise as far as it goes and lift it up. Then press the two tongues inwards and pull out the coarse filter.

Pull the main filter off.



Clean all three filters under running tap water with a brush.

Reinsert the main filter in its place.

Place the coarse filter into the micro filter. Ensure the marks align properly.

Turn the coarse filter clockwise until you hear a clicking sound.

It is important that you fit the filters correctly.

Caution: the dishwasher must not be used without filters.

Incorrect repositioning of the filters will produce poor washing results.

Cleaning of the filters is vital to ensure correct operation of the machine.

Upper spray arm

Turn the nut anti clockwise and remove both the nut and the spray arm.

Flush away food particles under running water.

Put the spray arm back on and screw on the nut turning clockwise until a clicking sound is heard.

Lower spray arm

Remove the spray arm from its slot by releasing the catches and pulling it upwards.

Flush away the food particles under running water.

Reinsert the spray arm back into its original position.

8 Before calling service / Trouble shooting

Before calling service check the following & Trouble shooting guide supplied on the following page.



Is the machine plugged in?



Is the dishwasher door closed firmly?



Does the fuse need replacing ?



Are the filters clogged?



Is the water mains supply fully turned on?



Is the detergent dosage and/or rinse aid sufficient? Is there enough salt in the water softener?



Is the machine switched on?

TROUBLE SHOOTING GUIDE

SYMPTOMS	POSSIBLE CAUSES	SOLUTIONS
Spotting / filming / poor cleaning results	Insufficient amount of detergent	Increase the amount of detergent, especially when washing full loads, or in hard water.
	Hard water.	Increase water softener dosage. Use additional detergent, increase rinse agent dosage.
	Spray arms need cleaning	Check the nozzle holes in the spray arms. They may be blocked with a soil particle. Check and clean them periodically.
	Improper loading.	Follow instructions for use for proper loading procedures. Place dishes so water spray reaches all soiled surfaces. Do not overcrowd the baskets since this will block the water spray.
	Insufficient water fill.	Check mains water pressure
	Filter system needs cleaning.	Remove any accumulated or deposited foods. Check and clean them periodically.
	Oversudsing - Prewashing with a liquid dishwashing detergent.	Rinse items thoroughly before putting them in the dishwasher to remove dishwashing detergent.
Small particles (food or detergent) left on items	Water not reaching surfaces, dishwasher overcrowded.	Check to be sure water action is not blocked by dishes. Check filter system for accumulated or deposited food or detergent. Load dishwasher correctly. Keep filter system clean.
	Insufficient water fill.	Check mains water pressure
	Powder detergent stored too long or under adverse conditions.	Use powder detergent within one to two months after purchase. Open one box at a time. Always close pouring spout after each use. Store in a cool, dry place.
	Rinse aid supply depleted.	Add rinse aid to the dispenser.

Pitting of stainless steel items	Prolonged contact with salty or highly acidic foods or with undissolved or highly concentrated detergent.	Remove spots with silver polish. Rewash. Wash soon after use. Do not overload cutlery basket. Avoid spilling or pouring detergent directly on flatware. Make sure dispenser cup is properly closed.
Dishes not dry	Improper loading.	Load so that all items are properly tilted for good drainage. Avoid nesting of dishes and/or silverware.
	Rinse aid supply depleted.	Add liquid rinse aid .
Scratches on glassware	A water or chemical reaction with some glassware. Usually caused by some combination of soft or softened water and alkaline washing solutions reacting with the glassware. Can be accelerated by poor rinsing, overloading and excessive temperature.	The condition may not always be preventable. To minimize the possibility of etching, use minimum amount of detergent.
		Use of the appropriate programme.
		Use of a rinse aid may also help.
Detergent cakes in detergent dispenser.	If using powder detergent, there may be dampness in the dispenser.	Make sure dispenser is dry before adding powder detergent. Start dishwasher immediately.
	If using gel detergent, the detergent may be left in dispenser too long before using.	Start dishwasher soon after adding gel detergent. Do not allow detergent to dry out in dispenser.
	Faulty cover.	Do not overfill. Cover should close tightly. Check cover for fit.
	Improper loading.	Do not place large items in front of dispenser.
	Old detergent.	Use detergent within one to two months of purchase. To assure freshness, buy detergent as needed and no more than one or two at a time. Store in a cool, dry place.
Chipping and breakage of dishes/glasses	Improper loading.	Load with care following the instructions for use. Place glassware so it does not touch the other dishes. Remove from dishwasher carefully.
Odour in dishwasher	A dirty filter system may contribute to a bad odour.	Clean filter system.

Guarantee for Refrigeration, Cooking Appliances, Washing Machines & Dishwashers.

Your new Beko product is guaranteed against the cost of breakdown repairs for two years from the date of the original purchase.

What is covered?

- Repairs necessary as a result of faulty materials, defective components or manufacturing defect.
- The cost of functional replacement parts, but excluding consumable items.
- The labour costs of a Beko approved repairer to carry out the repair.

What is not covered?

- Transit, delivery or accidental damage or misuse and abuse.
- Cabinet or appearance parts, including knobs, flaps, handles or container lids.
- Accessories or consumable items including but not limited to, ice trays, scrapers, cutlery baskets, filters and light bulbs.
- Repairs required as a result of unauthorised repair or inexperienced installation that fails to meet the requirements contained in the user instruction book.
- Repairs to products used on commercial or non-residential household premises.

- Loss of frozen food in freezers or fridge/freezers. (Food loss insurance is often included within your household contents insurance policy, or may be available separately from your retailer).

Important notes.

- Your Beko product is designed and built for domestic household use only.
- The guarantee will be void if the product is installed or used in commercial or non-residential domestic household premises.
- The product must be correctly installed, located and operated in accordance with the instructions contained in the User Instructions Booklet provided.
- Professional installation by a qualified Electrical Domestic Appliance Installer is recommended for all Washing Machines, Dishwashers and Electric Cookers
- Gas Cookers must only be installed by a Gas safe (or BORD GAIS) registered Gas Installer.
- The guarantee is given only within the boundaries of the United Kingdom and the Republic of Ireland.
- The guarantee is applicable only to new products and is not transferable if the product is resold.
- Beko disclaims any liability for incidental or consequential damages.
- The guarantee does not in anyway diminish your statutory or legal rights.

- The product guarantee does not cover damages to plates, glass ware, cutlery, crockery and also damage to the product itself as a result of using these “Three-in-one”, “Two-in-one” detergents.

Please keep your purchase receipt or other proof of purchase in a safe place; you will need to have it should the product require attention under guarantee.

You should also complete the details below; it will help us assist you when requesting service. (The model number is printed on the Instruction Booklet and the serial number is printed on the Rating Label affixed to the appliance)

Model No:

Serial No:

Retailer:

Date of purchase:

For service under guarantee simply telephone the appropriate number below

UK Mainland & Northern Ireland

Fridges & Freezers	0845 6004903
Electric Cookers	0845 6004902
Gas&Dual Fuel Cookers	0845 6004905
Washing Machines & Dishwashers	0845 6004906

Republic of Ireland

All Refrigeration, All Cookers

01 862 3411

Washing Machines & Dishwashers

Before requesting service please check the trouble-shooting guide in the Operating Instructions as a charge may be levied where no fault is found even though your product may still be under guarantee.

Service once the manufacturers guarantee has expired.

If you have purchased an extended guarantee please refer to the instructions contained within the extended guarantee agreement document. Otherwise please call the appropriate number above where service can be obtained at a charge.

Should you experience any difficulty in obtaining service please contact the Beko Customer Help-Line.

Tel: 0845 6004911

e-mail: service@beko.co.uk

Beko plc, Beko House, Caxton Way, Watford, Herts, WD18 8UF
www.beko.co.uk

Free Manuals Download Website

<http://myh66.com>

<http://usermanuals.us>

<http://www.somanuals.com>

<http://www.4manuals.cc>

<http://www.manual-lib.com>

<http://www.404manual.com>

<http://www.luxmanual.com>

<http://aubethermostatmanual.com>

Golf course search by state

<http://golfingnear.com>

Email search by domain

<http://emailbydomain.com>

Auto manuals search

<http://auto.somanuals.com>

TV manuals search

<http://tv.somanuals.com>