

Refrigerator
Réfrigérateur

يخچال
الثلاجة

DN 156720 D
DN 156720 DS
DN 156720 DX
DN 156720 X
DN 156720 DH
DN 160123
DN 160123 X

BEKO

Please read this manual first!

Dear Customer,

We hope that your product, which has been produced in modern plants and checked under the most meticulous quality control procedures, will provide you an effective service.

For this, we recommend you to carefully read the entire manual of your product before using it and keep it at hand for future references.




This manual

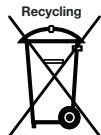
- Will help you use your appliance in a fast and safe way.
- Read the manual before installing and operating your product.
- Follow the instructions, especially those for safety.
- Keep the manual in an easily accessible place as you may need it later.
- Besides, read also the other documents provided with your product.

Please note that this manual may be valid for other models as well.

Symbols and their descriptions

This instruction manual contains the following symbols:

-  Important information or useful usage tips.
-  Warning against dangerous conditions for life and property.
-  Warning against electric voltage.



This product bears the selective sorting symbol for waste electrical and electronic equipment (WEEE).

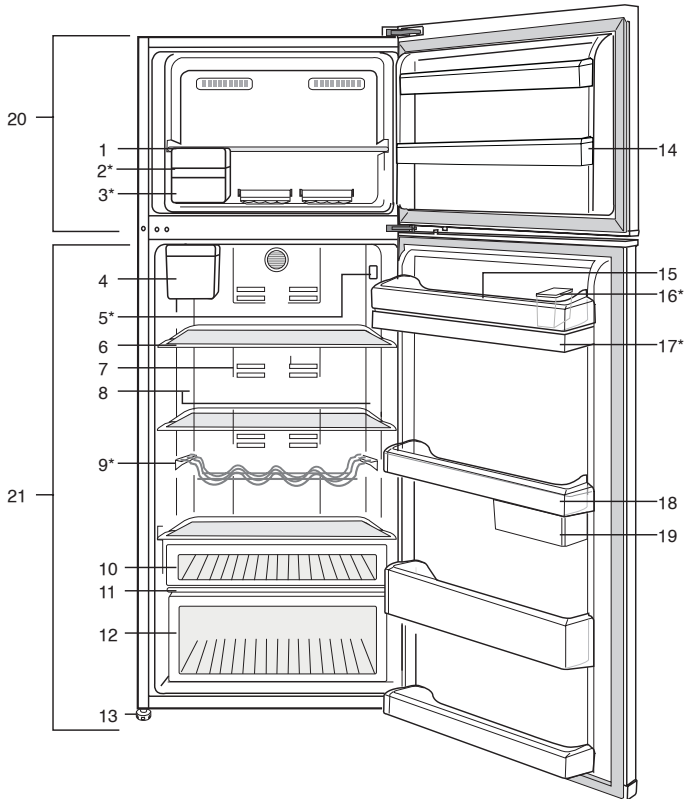
This means that this product must be handled pursuant to European Directive 2002/96/EC in order to be recycled or dismantled to minimise its impact on the environment. For further information, please contact your local or regional authorities.

Electronic products not included in the selective sorting process are potentially dangerous for the environment and human health due to the presence of hazardous substances.

CONTENTS

1 The refrigerator	3	4 Preparation	9
2 Important Safety Warnings	4	5 Using your refrigerator	10
Intended use	4	Indicator Panel.....	10
For products with a water dispenser; ..	6	Door Open Warning.....	13
Child safety.....	6	Freezing fresh food	14
HCA Warning	6	Recommendations for preservation of frozen food	15
Things to be done for energy saving ..	6	Placing the food	15
3 Installation	7	Deep-freeze information	16
Points to be considered when re-transporting your refrigerator	7	Description and cleaning of odor filter:	17
Before operating your refrigerator	7	Egg holder	17
Adjusting the legs	8	Water Dispenser	18
Electric connection	8	Rotary storage container	20
Disposing of the packaging	8	Auto Icematic	21
Disposing of your old refrigerator	8	Blue light	21
Placing and Installation	8	6 Maintenance and cleaning	22
		Protection of plastic surfaces	22
		7 Troubleshooting	23

1 The refrigerator



1. Freezer compartment shelf
 2. Auto Icematic
 3. Ice storage container
 4. Auto Icematic water tank
 5. Temperature setting indicator
 6. Adjustable glass shelves
 7. Odor filter
 8. Illumination lens
 9. Bottle shelf
 10. Snack compartment
 11. Crisper cover
 12. Crisper
 13. Adjustable legs
 14. Freezer compartment door racks
 15. Egg holder
 16. Water dispenser filling container
 17. Water dispenser tank
 18. Fridge compartment door shelves
 19. Sliding and rotary storage containers
 20. Freezer compartment
 21. Fridge compartment
- *OPTIONAL**

i Figures that take place in this instruction manual are schematic and may not correspond exactly with your product. If the subject parts are not included in the product you have purchased, then it is valid for other models.

2 Important Safety Warnings

Please review the following information. Failure to observe this information may cause injuries or material damage. Otherwise, all warranty and reliability commitments will become invalid.

The usage life of the unit you purchased is 10 years. This is the period for keeping the spare parts required for the unit to operate as described.

Intended use

This product is intended to be used

- indoors and in closed areas such as homes;
- in closed working environments such as stores and offices;
- in closed accommodation areas such as farm houses, hotels, pensions.
- This product should not be used outdoors.

General safety

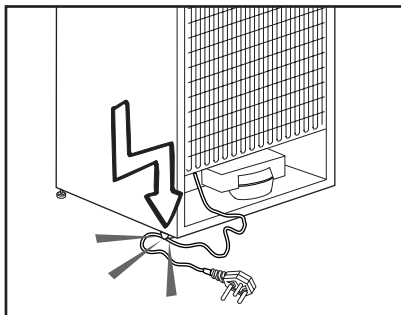
- When you want to dispose/scrap the product, we recommend you to consult the authorized service in order to learn the required information and authorized bodies.
- Consult your authorized service for all your questions and problems related to the refrigerator. Do not intervene or let someone intervene to the refrigerator without notifying the authorised services.
- For products with a freezer compartment; Do not eat cone ice cream and ice cubes immediately after you take them out of the freezer compartment! (This may cause frostbite in your mouth.)
- For products with a freezer compartment; Do not put bottled and canned liquid beverages in the freezer compartment. Otherwise, these may burst.
- Do not touch frozen food by hand; they may stick to your hand.
- Unplug your refrigerator before cleaning or defrosting.
- Vapor and vaporized cleaning materials should never be used in cleaning and defrosting processes of your refrigerator. In such cases, the vapor may get in contact with the electrical parts and cause short circuit or electric shock.
- Never use the parts on your refrigerator such as the door as a means of support or step.
- Do not use electrical devices inside the refrigerator.
- Do not damage the parts, where the refrigerant is circulating, with drilling or cutting tools. The refrigerant that might blow out when the gas channels of the evaporator, pipe extensions or surface coatings are punctured causes skin irritations and eye injuries.
- Do not cover or block the ventilation holes on your refrigerator with any material.
- Electrical devices must be repaired by only authorised persons. Repairs performed by incompetent persons create a risk for the user.
- In case of any failure or during a maintenance or repair work, disconnect your refrigerator's mains supply by either turning off the relevant fuse or unplugging your appliance.
- Do not pull by the cable when pulling off the plug.
- Place the beverage with higher proofs tightly closed and vertically.
- Never store spray cans containing flammable and explosive substances in the refrigerator.
- Do not use mechanical devices or other means to accelerate the defrosting

process, other than those recommended by the manufacturer.

- This product is not intended to be used by persons with physical, sensory or mental disorders or unlearned or inexperienced people (including children) unless they are attended by a person who will be responsible for their safety or who will instruct them accordingly for use of the product
- Do not operate a damaged refrigerator. Consult with the service agent if you have any concerns.
- Electrical safety of your refrigerator shall be guaranteed only if the earth system in your house complies with standards.
- Exposing the product to rain, snow, sun and wind is dangerous with respect to electrical safety.
- Contact authorized service when there is a power cable damage to avoid danger.
- Never plug the refrigerator into the wall outlet during installation. Otherwise, risk of death or serious injury may arise.
- This refrigerator is intended for only storing food items. It must not be used for any other purpose.
- Label of technical specifications is located on the left wall inside the refrigerator.
- Never connect your refrigerator to electricity-saving systems; they may damage the refrigerator.
- If there is a blue light on the refrigerator, do not look at the blue light with optical tools.
- For manually controlled refrigerators, wait for at least 5 minutes to start the refrigerator after power failure.
- This operation manual should be handed in to the new owner of the product when it is given to others.
- Avoid causing damage on power cable when transporting the refrigerator. Bending cable may cause fire. Never place heavy objects on power cable. Do

not touch the plug with wet hands when plugging the product.

- Do not plug the refrigerator if the wall outlet is loose.
- Water should not be sprayed directly on inner or outer parts of the product for safety purposes.
- Do not spray substances containing inflammable gases such as propane gas near the refrigerator to avoid fire and explosion risk.
- Never place containers filled with water on top of the refrigerator, otherwise this may cause electric shock or fire.
- Do not overload your refrigerator with excessive amounts of food. If overloaded, the food items may fall down and hurt you and damage refrigerator when you open the door. Never place objects on top of the refrigerator; otherwise, these objects may fall down when you open or close the refrigerator's door.



- As they require a precise temperature, vaccines, heat-sensitive medicine and scientific materials and etc. should not be kept in the refrigerator.
- If not to be used for a long time, refrigerator should be unplugged. A possible problem in power cable may cause fire.

- The plug's tip should be regularly cleaned; otherwise, it may cause fire.
- Refrigerator may move if adjustable legs are not properly secured on the floor. Properly securing adjustable legs on the floor can prevent the refrigerator to move.
- When carrying the refrigerator, do not hold it from door handle. Otherwise, it may be snapped.
- When you have to place your product next to another refrigerator or freezer, the distance between devices should be at least 8cm. Otherwise, adjacent side walls may be humidified.

For products with a water dispenser;

Pressure of water mains should be minimum 1 bar. Pressure of water mains should be maximum 8 bars.

- Use only potable water.

Child safety

- If the door has a lock, the key should be kept away from reach of children.
- Children must be supervised to prevent them from tampering with the product.

HCA Warning

If your product's cooling system contains R600a:

This gas is flammable. Therefore, pay attention to not damaging the cooling system and piping during usage and transportation. In the event of damage, keep your product away from potential fire sources that can cause the product catch a fire and ventilate the room in which the unit is placed.

Ignore this warning if your product's cooling system contains R134a.


Type of gas used in the product is stated in the type plate which is on the left wall inside the refrigerator.

Never throw the product in fire for disposal.

Things to be done for energy saving

- Do not leave the doors of your refrigerator open for a long time.
- Do not put hot food or drinks in your refrigerator.
- Do not overload your refrigerator so that the air circulation inside of it is not prevented.
- Do not install your refrigerator under direct sunlight or near heat emitting appliances such as ovens, dishwashers or radiators.
- Pay attention to keep your food in closed containers.
- For products with a freezer compartment; You can store maximum amount of food items in the freezer when you remove the shelf or drawer of the freezer. Energy consumption value stated for your refrigerator has been determined by removing freezer shelf or drawer and under maximum load. There is no harm to use a shelf or drawer according to the shapes and size of food to be frozen.
- Thawing frozen food in fridge compartment will both provide energy saving and preserve the food quality.

3 Installation

 Please remember that the manufacturer shall not be held liable if the information given in the instruction manual is not observed.

Points to be considered when re-transporting your refrigerator

1. Your refrigerator must be emptied and cleaned prior to any transportation.
2. Shelves, accessories, crisper and etc. in your refrigerator must be fastened securely by adhesive tape against any jolt before repackaging.
3. Packaging must be tied with thick tapes and strong ropes and the rules of transportation printed on the package must be followed.

Please do not forget...

Every recycled material is an indispensable source for the nature and for our national resources.

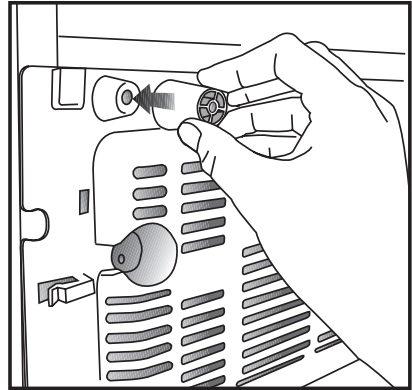
If you wish to contribute to recycling the packaging materials, you can get further information from the environmental bodies or local authorities.

Before operating your refrigerator

Before starting to use your refrigerator check the following:

1. Is the interior of the refrigerator dry and can the air circulate freely in the rear of it?

2. Please install the 2 plastic wedges as illustrated in the figure. Plastic wedges will provide the required distance between your refrigerator and the wall in order to allow the air circulation. (The illustrated figure is only an example and does not match exactly with your product.)



3. Clean the interior of the refrigerator as recommended in the "Maintenance and cleaning" section.
4. Plug the refrigerator into the wall outlet. When the fridge door is open, the fridge compartment interior light will come on.
5. You will hear a noise as the compressor starts up. The liquid and gases sealed within the refrigeration system may also give rise to noise, even if the compressor is not running and this is quite normal.
6. Front edges of the refrigerator may feel warm. This is normal. These areas are designed to be warm to avoid condensation.

Electric connection

Connect your product to a grounded socket which is being protected by a fuse with the appropriate capacity.

Important:

- The connection must be in compliance with national regulations.
- The power cable plug must be easily accessible after installation.
- The specified voltage must be equal to your mains voltage.
- Extension cables and multiway plugs must not be used for connection.

⚠ A damaged power cable must be replaced by a qualified electrician.

⚠ Product must not be operated before it is repaired! There is danger of electric shock!

Disposing of the packaging

The packing materials may be dangerous for children. Keep the packing materials out of the reach of children or dispose them of by classifying them in accordance with the waste instructions. Do not dispose them of along with the normal household waste.

The packing of your refrigerator is produced from recyclable materials.

Disposing of your old refrigerator

Dispose of your old refrigerator without giving any harm to the environment.

- You may consult your authorised dealer or waste collection center of your municipality about the disposal of your refrigerator.

Before disposing of your refrigerator, cut out the electric plug and, if there are any locks on the door, make them inoperable in order to protect children against any danger.

Placing and Installation

⚠ If the entrance door of the room where the refrigerator will be installed is not wide enough for the refrigerator to pass through, then call the authorised service to have them remove the doors of your refrigerator and pass it sideways through the door.

1. Install your refrigerator to a place that allows ease of use.

2. Keep your refrigerator away from heat sources, humid places and direct sunlight.

3. There must be appropriate air ventilation around your refrigerator in order to achieve an efficient operation. If the refrigerator is to be placed in a recess in the wall, there must be at least 5 cm distance with the ceiling and at least 5 cm with the wall. If the floor is covered with a carpet, your product must be elevated 2.5 cm from the floor.

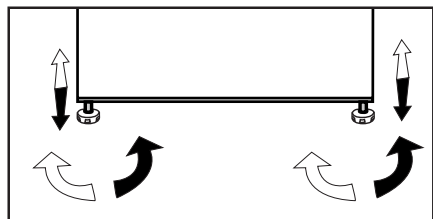
4. Place your refrigerator on an even floor surface to prevent jolts.

5. Do not keep your refrigerator in ambient temperatures under 10°C.

Adjusting the legs

If your refrigerator is unbalanced;

You can balance your refrigerator by turning the front legs of it as illustrated in the figure. The corner where the leg exists is lowered when you turn in the direction of black arrow and raised when you turn in the opposite direction. Taking help from someone to slightly lift the refrigerator will facilitate this process.



4 Preparation

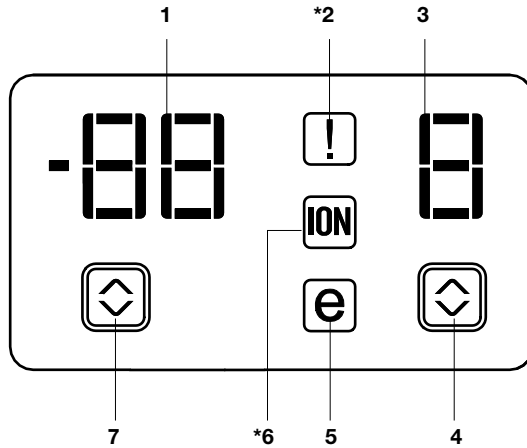
- i** Your refrigerator should be installed at least 30 cm away from heat sources such as hobs, ovens, central heater and stoves and at least 5 cm away from electrical ovens and should not be located under direct sunlight.
- i** The ambient temperature of the room where you install your refrigerator should at least be 10°C. Operating your refrigerator under cooler conditions is not recommended with regard to its efficiency.
- i** Please make sure that the interior of your refrigerator is cleaned thoroughly.
- i** If two refrigerators are to be installed side by side, there should be at least 2 cm distance between them.
- i** When you operate your refrigerator for the first time, please observe the following instructions during the initial six hours.
 - The door should not be opened frequently.
 - It must be operated empty without any food in it.
 - Do not unplug your refrigerator. If a power failure occurs out of your control, please see the warnings in the “Recommended solutions for the problems” section.
- i** Original packaging and foam materials should be kept for future transportations or moving.

5 Using your refrigerator

Indicator Panel

Indicator panels may vary depending on your product's model.

Indicator panel aids in using your refrigerator with its audio and visual functions.



1. Freezer Compartment Temperature Indicator
2. Error Status Indicator
3. Fridge Compartment Temperature Indicator
4. Fridge Compartment Temperature Setting Button
5. Economy Mode Indicator
6. Ioniser Indicator
7. Freezer Compartment Temperature Setting Button

1. Freezer Compartment Temperature Indicator

It indicates the temperature set for Freezer compartment.

2. Error Status Indicator

If your refrigerator does not cool adequately or if there is a sensor failure, this indicator will be activated. When this indicator is active, Freezer Compartment Temperature indicator will display "e" and Fridge Compartment Temperature Indicator will display numbers such as "1,2,3...". These numbers on the indicator provides information about the error to the service personnel.

3. Fridge Compartment Temperature Indicator

Indicates the temperature set for Fridge compartment.

4. Fridge Compartment Temperature Setting Button

Press this button to set the temperature of the fridge compartment to 8, 6, 4, 2, 8... respectively. Press this button to set the desired temperature for the fridge compartment.

5. Economy Mode Indicator

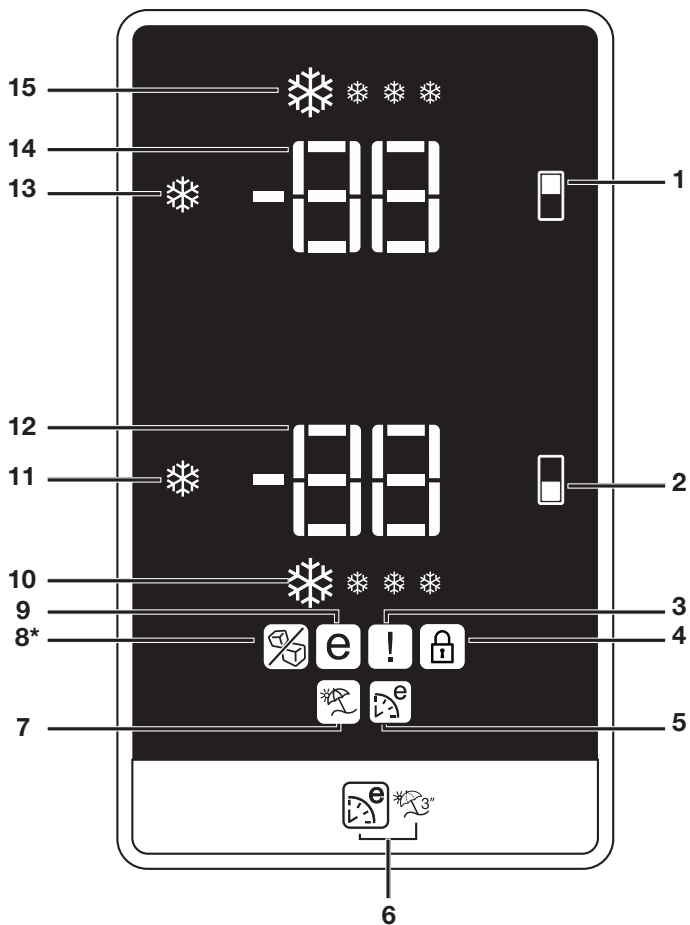
Indicates that the refrigerator is running in energy-efficient mode.

6. Ioniser Indicator

Indicator light lights up continuously. This light indicates that your refrigerator is protected against the bacteria.

7. Freezer Compartment Temperature Setting Button

Press this button to set the temperature of the freezer compartment to -18, -20, -22, -24, -18... respectively. Press this button to set the desired temperature for the freezer compartment.



- | | |
|---|--|
| <ul style="list-style-type: none"> 1. Freezer compartment setting / Icematic on-off button 2. Fridge compartment setting button 3. Error status indicator 4. Key lock indicator 5. Eco Extra Function indicator 6. Eco Extra/Vacation Button 7. Vacation function indicator 8. Icematic off indicator (*in some models) | <ul style="list-style-type: none"> 9. Economic usage indicator 10. Quick fridge function indicator 11. Quick fridge function button 12. Fridge compartment temperature setting indicator 13. Quick freeze function button 14. Freezer compartment temperature setting indicator 15. Quick freeze function indicator |
|---|--|

1. Freezer Compartment Setting / Icematic On-Off Button

This function allows you to make the freezer compartment temperature setting. Press this button to set the temperature of the freezer compartment to -18, -20, -22 and -24 respectively.

To stop ice formation, press Icematic on-off button for 3 seconds. Water flow from water tank will stop when this function is selected. However, ice made previously can be taken from the Icematic. To restart ice formation, press Icematic on-off button for 3 seconds.

2. Fridge Compartment Setting Button

This function allows you to make the fridge compartment temperature setting. Press this button to set the temperature of the fridge compartment to 8, 6, 4, 2 respectively.

3. Error Status Indicator

If your refrigerator does not cool adequately or if there is a sensor failure, this indicator will be activated. When this indicator is active, Freezer Compartment Temperature indicator will display "E" and Fridge Compartment Temperature Indicator will display numbers such as "1,2,3...". These numbers on the indicator provides information about the error to the service personnel.

When you place hot food into the freezer compartment or if you leave the door open for a long time, exclamation mark can illuminate for some time. This is not a failure; this warning will disappear when the food cools down.

4. Key Lock Indicator

Use this function if you do not want your refrigerator temperature setting changed. Press Fridge compartment setting button and Freezer compartment setting button simultaneously for a long time (3 sec) to activate this function.

5. Eco Extra Function Indicator

It indicates that the Eco-Extra function is active.

If this function is active, your refrigerator will automatically detect the least usage periods and energy-efficient cooling will be performed during those times. Economy indicator will be active while energy-efficient cooling is performed.

Press the relevant button again to deactivate this function.

6. Eco Extra/Vacation Button

Press this button briefly to activate the Eco Extra function. Press and hold this button for 3 sec. to activate the Vacation function. Press this button again to deactivate the selected function.

7. Vacation Function Indicator

Indicates that the vacation function is active. If this function is active, "- -" appears on the indicator of the fridge compartment and no cooling is performed in the fridge compartment. Other compartments will be cooled in accordance with the temperature set for them.

Press the relevant button again to deactivate this function.

8. Ice Off indicator

Icematic will not run when the indicator of this function is active. See Item 1 to enable the Icematic.

9. Economy Mode Indicator

Indicates that the refrigerator is running in energy-efficient mode. Freezer Compartment temperature

This indicator will be active if the function is set to -18 or the energy efficient cooling is being performed due to Eco-Extra function.

10. Quick Fridge Indicator

This icon flashes in an animated style when the Quick Fridge function is active.

11. Quick Fridge Function

When you press the Quick Fridge button, the temperature of the compartment will be colder than the adjusted values.

This function can be used for food placed in the fridge compartment and required to be cooled down rapidly.

If you want to cool large amounts of fresh food, it is recommended to active this feature before putting the food into the fridge.

Quick Fridge indicator turns on when the Quick Fridge function is on. To cancel this function press Quick Fridge button again.

If you do not cancel it, Quick Fridge will cancel itself automatically after 4 hours or when the fridge compartment reaches to the required temperature.

This function is not recalled when power restores after a power failure.

12. Fridge Compartment Temperature Setting Indicator

Indicates the temperature set for the Fridge Compartment.

13. Freezer Compartment Temperature Setting Indicator

Indicates the temperature set for the Freezer Compartment.

14. Quick Freeze Function

Quick Freeze indicator turns on when the Quick Freeze function is active. To cancel this function press Quick Freeze button again. Quick Freeze indicator will turn off and return to its normal settings. If you do not cancel it, Quick Freeze will cancel itself automatically after 8 hours or when the freezer compartment reaches to the required temperature.

If you want to freeze large amounts of fresh food, press the Quick Freeze button before putting the food into the freezer compartment.

If you press the Quick Freeze button repeatedly with short intervals, the electronic circuit protection will be activated and the compressor will not start up immediately.

This function is not recalled when power restores after a power failure.

15. Quick Freeze Indicator

This icon flashes in an animated style when the Quick Freeze function is active.

Door Open Warning

(This feature may vary depending on the door of the product and may not exist in some models.)

A audio warning signal will be given when the door of your product is left open for at least 1 minute. This warning will be muted when the door is closed or any of the display buttons (if any) are pressed.

Freezing fresh food

- Wrap or cover the food before placing them in the refrigerator.
 - Hot food must cool down to the room temperature before putting them in the refrigerator.
 - The foodstuff that you want to freeze must be fresh and in good quality.
 - Foodstuff must be divided into portions according to the family's daily or meal based consumption needs.
 - The foodstuff must be packaged in an airtight manner to prevent them from drying even if they are going to be kept for a short time.
 - Materials to be used for packaging must be tear-proof and resistant to cold, humidity, odor, oils and acids and they must also be airtight. Moreover, they must be well closed and they must be made from easy-to-use materials that are suitable for deep freeze usage.
- Frozen food must be used immediately after they are thawed and they should never be re-frozen.
 - Please observe the following instructions to obtain the best results.
 1. Do not freeze too large quantities of food at one time. The quality of the food is best preserved when it is frozen right through to the core as quickly as possible.
 2. Placing warm food into the freezer compartment causes the cooling system to operate continuously until the food is frozen solid.
 3. Take special care not to mix already frozen food and fresh food.

Freezer Compartment Setting	Fridge Compartment Setting	Explanations
-18°C	4°C	This is the normal recommended setting.
-20,-22 or -24°C	4°C	These settings are recommended when the ambient temperature exceeds 30°C.
Quick Freeze	4°C	Use when you wish to freeze your food in a short time. Your refrigerator will return to its previous mode when the process is over.
-18°C or colder	2°C	If you think that your fridge compartment is not cold enough because of the hot conditions or frequent opening and closing of the door.
-18°C or colder	Quick Fridge	You can use it when your fridge compartment is overloaded or if you wish to cool down your food rapidly. It is recommended that you activate quick fridge function 4-8 hours before placing the food.

Recommendations for preservation of frozen food

- Prepacked commercially frozen food should be stored in accordance with the frozen food manufacturer's instructions for a **❄️❄️❄️❄️** (4 star) frozen food storage compartment.
- To ensure that the high quality achieved by the frozen food manufacturer and the food retailer is maintained, the following should be remembered:
 1. Put packages in the freezer as quickly as possible after purchase.
 2. Ensure that contents are labeled and dated.
 3. Do not exceed "Use By", "Best Before" dates on the packaging.

Defrosting

The freezer compartment defrosts automatically.

Placing the food

Freezer compartment shelves	Various frozen food such as meat, fish, ice cream, vegetables and etc.
Egg holder	Egg
Fridge compartment shelves	Food in pans, covered plates and closed containers
Fridge compartment door shelves	Small and packaged food or drinks (such as milk, fruit juice and beer)
Crisper	Vegetables and fruits
Freshzone compartment	Delicatessen products (cheese, butter, salami and etc.)

Deep-freeze information

Food must be frozen as rapidly as possible when they are put in a refrigerator in order to keep them in good quality.

The TSE norm requires (according to certain measurement conditions) the refrigerator to freeze at least 4.5 kg of foodstuff at 32°C ambient temperature to -18°C or lower within 24 hours for every 100-liters of freezer volume.

It is possible to keep the food for a long time only at -18°C or lower temperatures.

You can keep the freshness of food for many months (at -18°C or lower temperatures in the deep freeze).

WARNING!

- Foodstuff must be divided into portions according to the family's daily or meal based consumption needs.

- Foodstuff must be packaged in an airtight manner to prevent them from drying even if they are going to be kept for a short time.

Materials necessary for packaging:

- Cold resistant adhesive tape
- Self adhesive label
- Rubber rings
- Pen

Materials to be used for packaging the foodstuff must be tear-proof and resistant to cold, humidity, odor, oils and acids.

Foodstuff to be frozen should not be allowed to come in contact with the previously frozen items to prevent their partial thawing.

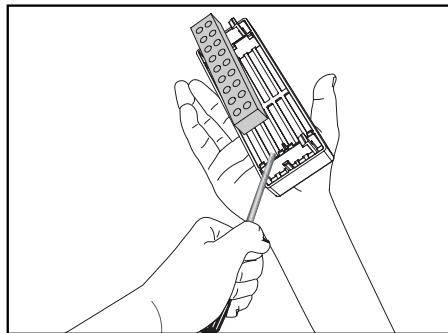
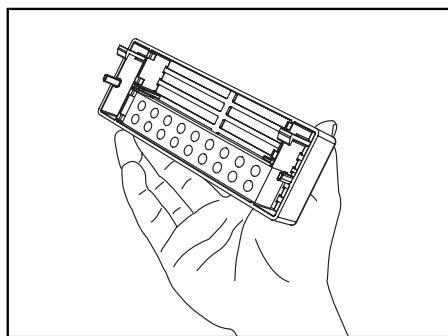
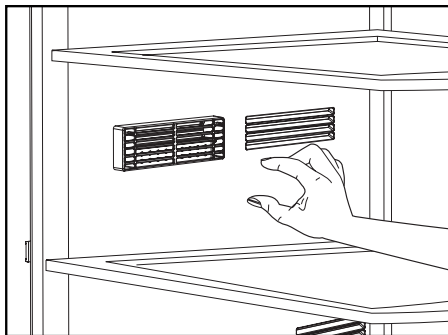
Frozen food must be used immediately after they are thawed and they should never be re-frozen.

Description and cleaning of odor filter:

Odor filter prevents unpleasant odor build-up in your refrigerator.

Pull the cover, into which the odor filter is installed, downwards and remove as illustrated. Leave the filter under sunlight for one day. Filter will be cleaned during this time. Install the filter back to its place.

Odor filter must be cleaned once in a year.



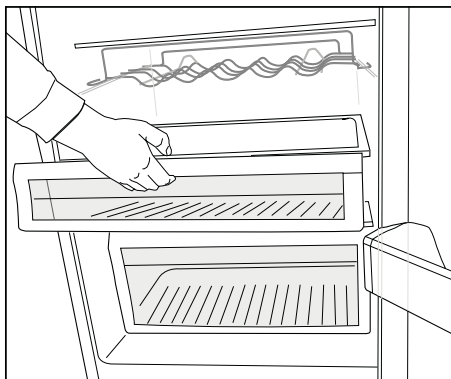
Snack compartments

Use these compartments for your food which you want store at a temperature a few degrees below the fridge compartment.

You can increase the inner volume of your refrigerator by removing any of the snack compartments.

1. Pull the compartment towards yourself until it rests and stops against the stopper.
2. Lift the front section and pull towards yourself to remove the compartment from its seating.

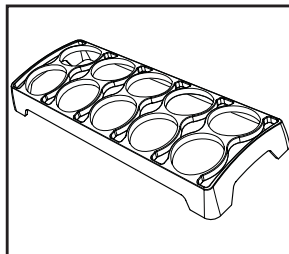
i You can place the food, that you want to freeze, in these compartments in order to prepare them for freezing.



Egg holder

You can install the egg holder to the desired door or body shelf.

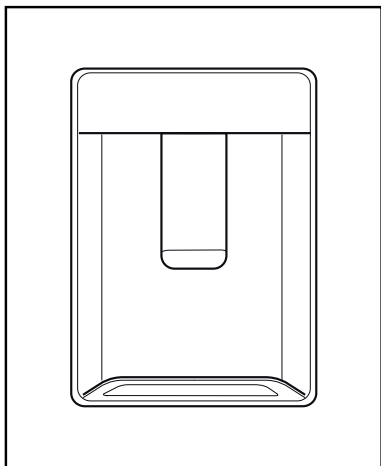
Never store the egg holder in the freezer compartment



Water Dispenser

(in some models)

Water dispenser is a very useful feature based on reaching cold water without opening the door of your refrigerator. As you will not have to open your refrigerator door frequently, you will have saved energy.



Using the water spring

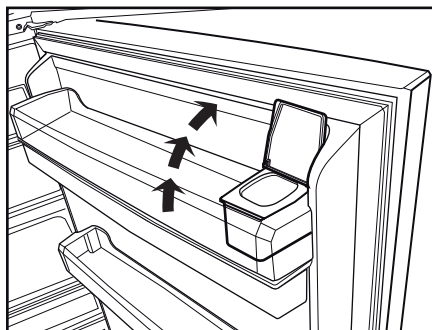
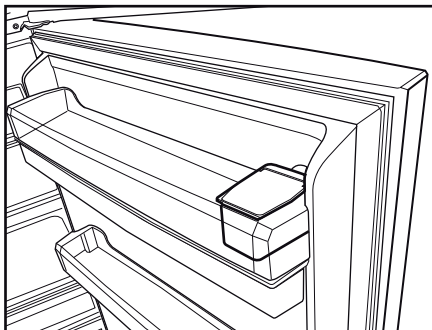
Push the arm of the water dispenser with your glass. The dispenser will cease operating once you release the arm.

When operating the water dispenser, maximum flow can be obtained by pressing the arm fully. Please remember that the amount of flow from the dispenser is subject to the degree you press the arm.

As the level of the water in your glass/ container rises, slightly lessen the pressure on the arm to prevent the overspill. If you slightly press the arm, the water will drop; this is quite normal and not a failure.

Filling the water dispenser water tank

Water tank filling reservoir is located inside the door rack. Open the reservoir cover and fill in clean potable water. And then, close the lid.



Warning!

- Do not fill the water tank with any other liquid except for water such as fruit juices, carbonated beverages or alcoholic drinks which are not suitable to use in the water dispenser. Water dispenser will be irreparably damaged if these kinds of liquids are used. Warranty does not cover such usages. Some chemical substances and additives contained in these kinds of drinks/liquids may damage the water tank material.

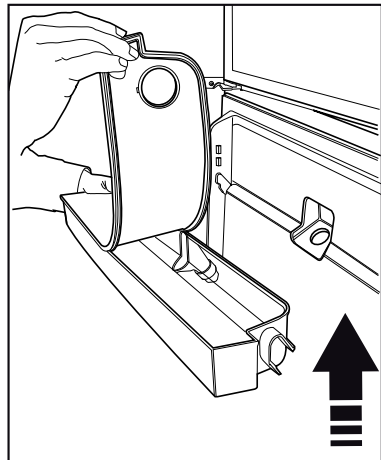
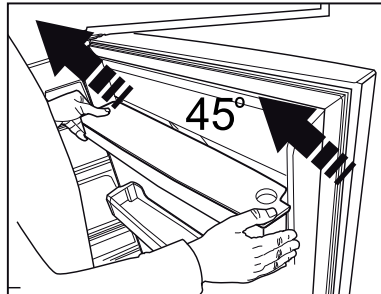
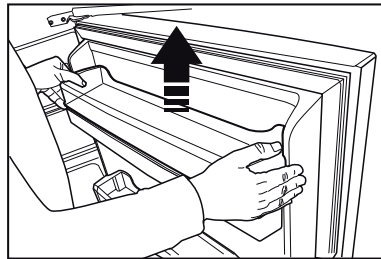
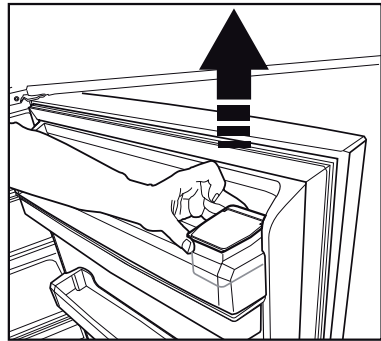
- Use clean and pure potable water only.
- Capacity of the water tank is 3 liters; do not overfill.
- Push the arm of the water dispenser with a rigid glass. If you are using disposable plastic glasses, push the arm with your fingers from behind the glass.

Cleaning the water tank

- Remove the water filling reservoir inside the door rack.
- Remove the door rack by holding from both sides.
- Grab the water tank from both sides and remove it with an angle of 45°.
- Clean the water tank by removing its lid.

Important:

Components of the water tank and water dispenser should not be washed in dishwasher.



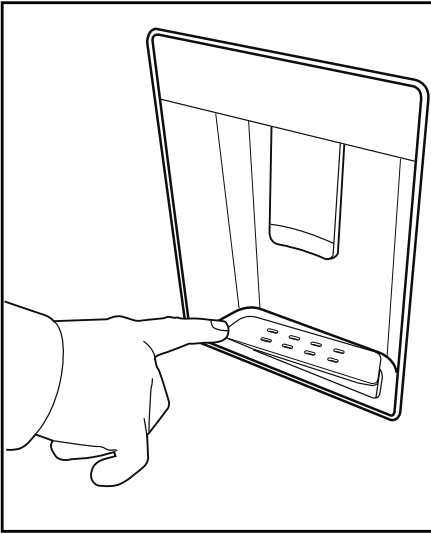
Water tray

Water that dripped while using the water dispenser accumulates in the spillage tray.

Take out the plastic strainer as shown in the figure.

With a clean and dry cloth, remove the water that has accumulated

CAUTION: Connect only to a potable water line.



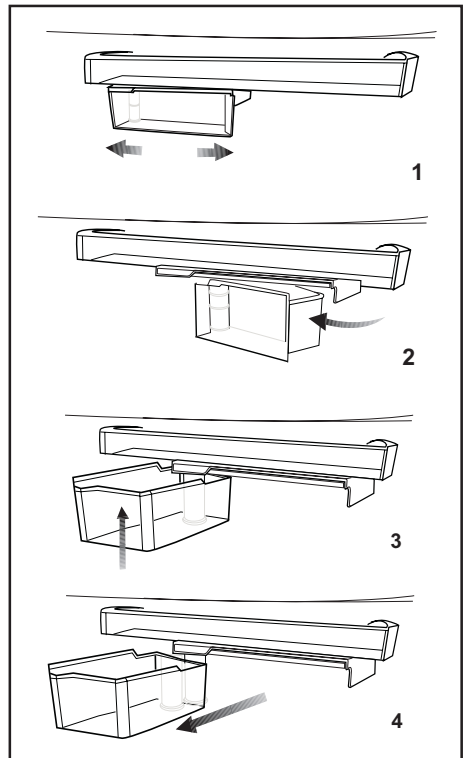
Rotary storage container

(in some models)

Sliding body shelf can be moved to left or right in order to allow you place long bottles, jars or boxes to a lower shelf (Fig. 1)

You can reach the food that you have placed into the shelf by grabbing and turning it from its right edge (Fig.2).

When you want to load or remove it to clean, turn it by 90 degrees, raise it up and pull towards yourself (Fig. 3-4).



Auto Icematic

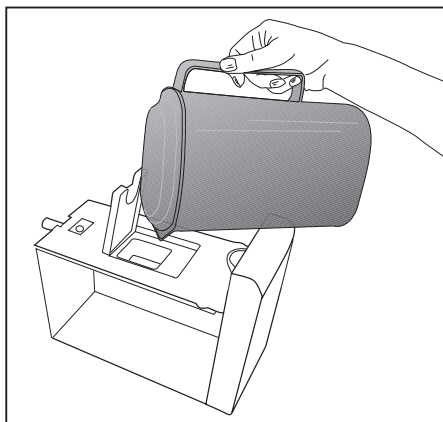
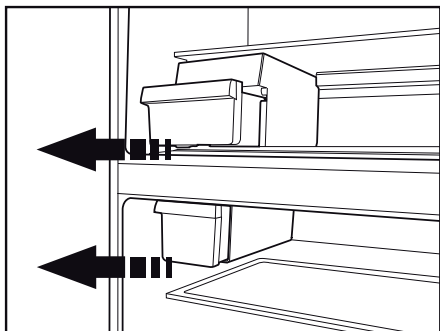
(in some models)

Auto Icematic system allows you to obtain ice from the refrigerator easily. Remove the water tank in the fridge compartment, fill it with water and install it back to obtain ice from the Icematic.

First ice cubes will be ready in approximately 2 hours in the Icematic drawer located in the freezer compartment..

If you fill the water tank completely, you will be able to obtain approximately 60-70 ice cubes.

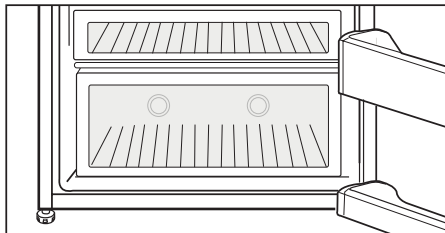
Change the water in water tank if it has waited around 2-3 weeks.



Blue light

(in some models)

Foodstuff stored in the crispers that are enlightened with a blue light continue their photosynthesis by means of the wavelength effect of blue light and thus, preserve their freshness and increase their vitamin content.



6 Maintenance and cleaning

- ⚠ Never use gasoline, benzene or similar substances for cleaning purposes.
- ⚠ We recommend that you unplug the appliance before cleaning.
- ⚠ Never use any sharp abrasive instrument, soap, household cleaner, detergent and wax polish for cleaning.
- ℹ Use lukewarm water to clean the cabinet of your refrigerator and wipe it dry.
- ℹ Use a damp cloth wrung out in a solution of one teaspoon of bicarbonate of soda to one pint of water to clean the interior and wipe it dry.
- ⚠ Make sure that no water enters the lamp housing and other electrical items.
- ⚠ If your refrigerator is not going to be used for a long period of time, unplug the power cable, remove all food, clean it and leave the door ajar.
- ℹ Check door seals regularly to ensure they are clean and free from food particles.
- ⚠ To remove door racks, remove all the contents and then simply push the door rack upwards from the base.

Protection of plastic surfaces

- ℹ Do not put the liquid oils or oil-cooked meals in your refrigerator in unsealed containers as they damage the plastic surfaces of your refrigerator. In case of spilling or smearing oil on the plastic surfaces, clean and rinse the relevant part of the surface at once with warm water.

7 Troubleshooting

Please review this list before calling the service. It will save your time and money. This list includes frequent complaints that are not arising from defective workmanship or material usage. Some of the features described here may not exist in your product.

The refrigerator does not operate.
<ul style="list-style-type: none">• The plug is not inserted into the socket correctly. >>> <i>Insert the plug into the socket securely.</i>• The fuse of the socket which your refrigerator is connected to or the main fuse have blown out. >>> <i>Check the fuse.</i>
Condensation on the side wall of the fridge compartment (MULTIZONE, COOL CONTROL and FLEXI ZONE).
<ul style="list-style-type: none">• Ambient is very cold. >>> <i>Do not install the refrigerator in places where the temperature falls below 10 °C.</i>• Door has been opened frequently. >>> <i>Do not open and close the door of refrigerator frequently.</i>• Ambient is very humid. >>> <i>Do not install your refrigerator into highly humid places.</i>• Food containing liquid is stored in open containers. >>> <i>Do not store food with liquid content in open containers.</i>• Door of the refrigerator is left ajar. >>> <i>Close the door of the refrigerator.</i>• Thermostat is set to a very cold level. >>> <i>Set the thermostat to a suitable level.</i>
Compressor is not running
<ul style="list-style-type: none">i Protective thermic of the compressor will blow out during sudden power failures or plug-out plug-ins as the refrigerant pressure in the cooling system of the refrigerator has not been balanced yet. The refrigerator will start running approximately after 6 minutes. Please call the service if the refrigerator does not startup at the end of this period.• The refrigerator is in defrost cycle. >>> <i>This is normal for a full-automatically defrosting refrigerator. Defrosting cycle occurs periodically.</i>• The refrigerator is not plugged into the socket. >>> <i>Make sure that the plug is fit into the socket.</i>• Temperature settings are not made correctly. >>> <i>Select the suitable temperature value.</i>• There is a power failure. >>> <i>Refrigerator returns to normal operation when the power restores.</i>
The operation noise increases when the refrigerator is running.
<ul style="list-style-type: none">i The operating performance of the refrigerator may change due to the changes in the ambient temperature. It is normal and not a fault.

The refrigerator is running frequently or for a long time.

- i** New product may be wider than the previous one. Larger refrigerators operate for a longer period of time.
- The ambient temperature may be high. >>> *It is normal that the product operates for longer periods in hot ambient.*
 - The refrigerator is plugged in or loaded with food recently. >>> *When the refrigerator is plugged in or loaded with food recently, it will take longer for it to attain the set temperature. This is normal.*
 - Large amounts of hot food may have been put in the refrigerator recently. >>> *Do not put hot food into the refrigerator.*
 - Doors are opened frequently or left ajar for a long time. >>> *The warm air that has entered into the refrigerator causes the refrigerator to run for longer periods. Do not open the doors frequently.*
 - Freezer or fridge compartment door is left ajar. >>> *Check if the doors are closed completely.*
 - The refrigerator is adjusted to a very low temperature. >>> *Adjust the refrigerator temperature to a warmer degree and wait until the temperature is achieved.*
 - Door seal of the fridge or freezer may be soiled, worn out, broken or not properly seated. >>> *Clean or replace the seal. Damaged/broken seal causes the refrigerator to run for a longer period of time in order to maintain the current temperature.*

Freezer temperature is very low while the fridge temperature is sufficient.

- The freezer temperature is adjusted to a very low value. >>> *Adjust the freezer temperature to a warmer degree and check.*

Fridge temperature is very low while the freezer temperature is sufficient.

- The fridge temperature is adjusted to a very low value. >>> *Adjust the fridge temperature to a warmer degree and check.*

Food kept in the fridge compartment drawers are frozen.

- The fridge temperature is adjusted to a very high value. >>> *Adjust the fridge temperature to a lower value and check.*

Temperature in the fridge or freezer is very high.
<ul style="list-style-type: none"> • The fridge temperature is adjusted to a very high value. >>> <i>Fridge compartment temperature setting has an effect on the temperature of the freezer. Change the temperatures of the fridge or freezer and wait until the relevant compartments attain a sufficient temperature.</i> • Doors are opened frequently or left ajar for a long time. >>> <i>Do not open the doors frequently.</i> • Door is ajar. >>> <i>Close the door completely.</i> • The refrigerator is plugged in or loaded with food recently. >>> <i>This is normal. When the refrigerator is plugged in or loaded with food recently, it will take longer for it to attain the set temperature.</i> • Large amounts of hot food may have been put in the refrigerator recently. >>> <i>Do not put hot food into the refrigerator.</i>
Vibrations or noise.
<ul style="list-style-type: none"> • The floor is not level or stable. >>><i>If the refrigerator rocks when moved slowly, balance it by adjusting its legs. Also make sure that the floor is strong enough to carry the refrigerator, and level.</i> • The items put onto the refrigerator may cause noise. >>> <i>Remove the items on top of the refrigerator.</i>
There are noises coming from the refrigerator like liquid flowing or spraying.
i Liquid and gas flows happen in accordance with the operating principles of your refrigerator. It is normal and not a fault.
Whistle comes from the refrigerator.
i Fans are used in order to cool the refrigerator. It is normal and not a fault.
Condensation on the inner walls of refrigerator.
<ul style="list-style-type: none"> i Hot and humid weather increases icing and condensation. It is normal and not a fault. • Doors are opened frequently or left ajar for a long time. >>> <i>Do not open the doors frequently. Close them if they are open.</i> • Door is ajar. >>> <i>Close the door completely.</i>
Humidity occurs on the outside of the refrigerator or between the doors.
i There may be humidity in the air; this is quite normal in humid weather. When the humidity is less, condensation will disappear.

Bad odor inside the refrigerator.

- No regular cleaning is performed. >>> *Clean the inside of the refrigerator regularly with a sponge, lukewarm water or sodium bicarbonate diluted in water.*
 - Some containers or package materials may cause the smell. >>> *Use a different container or different brand packaging material.*
 - Food is put into the refrigerator in uncovered containers. >>> *Keep the food in closed containers. Microorganisms spreading out from uncovered containers can cause unpleasant odors.*
- i** Remove the foods that have expired best before dates and spoiled from the refrigerator.

The door is not closing.

- Food packages are preventing the door from closing. >>> *Replace the packages that are obstructing the door.*
- The refrigerator is not completely even on the floor. >>> *Adjust the legs to balance the refrigerator.*
- The floor is not level or strong. >>> *Make sure that the floor is level and capable to carry the refrigerator.*

Crispers are stuck.

- The food is touching the ceiling of the drawer. >>> *Rearrange food in the drawer.*

Veillez d'abord lire la notice d'utilisation !

Chère cliente, cher client,

Nous espérons que votre produit, qui a été fabriqué dans des usines modernes et vérifié au terme des procédures de contrôle de qualité les plus méticuleuses, vous aidera efficacement.

Pour cette raison, nous vous conseillons de lire attentivement tout le manuel d'utilisation de votre produit avant de vous en servir, et de le conserver ensuite pour une utilisation ultérieure.

Le présent manuel




- Vous aidera à utiliser votre produit avec rapidité et sécurité.
- Lisez le manuel avant d'installer et de faire fonctionner votre produit.
- Respectez les instructions, notamment celles relatives à la sécurité.
- Conservez ce manuel dans un endroit facilement accessible car vous pouvez en avoir besoin ultérieurement.

• En plus, lisez également les autres documents fournis avec votre produit.

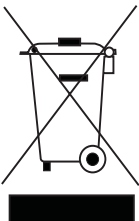
Veillez noter que ce manuel peut également être valide pour d'autres modèles.

Symboles et descriptions

Vous retrouverez les symboles suivants dans le présent manuel :

-  Informations importantes ou astuces.
-  Avertissement relatif aux conditions dangereuses pour la vie et la propriété.
-  Avertissement relatif à la tension électrique.

Recyclage

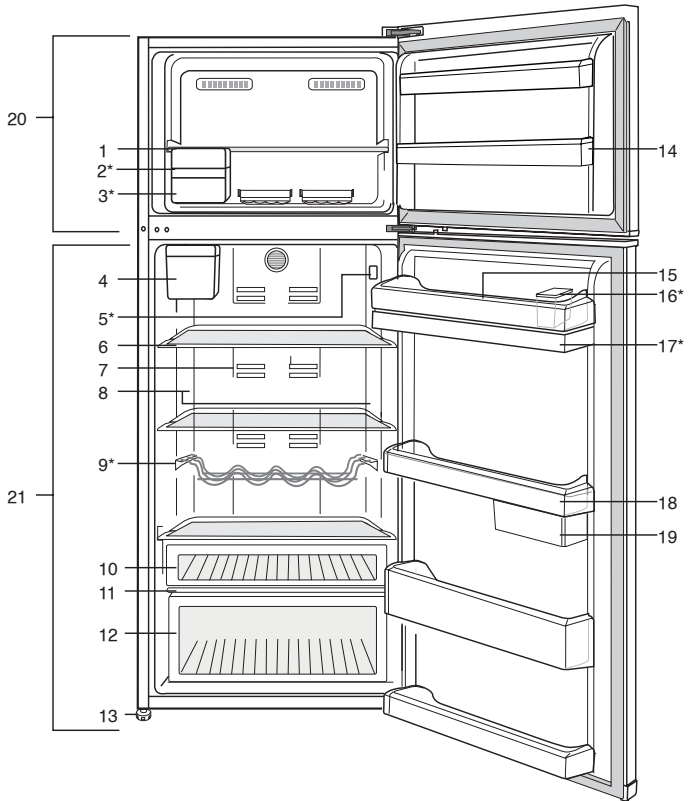


Ce produit est marqué du symbole du tri sélectif, relatif aux déchets d'équipements électriques et électroniques. Cela signifie que ce produit doit être pris en charge par un système de collecte sélectif conformément à la directive européenne 2002/96/CE, afin de pouvoir être recyclé ou démantelé dans le but de réduire tout impact sur l'environnement. Attention les produits électroniques n'ayant pas fait l'objet d'un tri sélectif sont potentiellement dangereux pour l'environnement et la santé humaine en raison de la présence potentielle de substances dangereuses.

TABLE DES MATIÈRES

1 Le Réfrigérateur	3	4 Préparation	9
2 Précautions de sécurité importantes	4	5 Utilisation du réfrigérateur	10
Utilisation prévue	4	Bandeau indicateur.....	10
Sécurité générale.....	4	Avertissement - Porte ouverte.....	13
Sécurité enfants.....	6	Congélation des produits frais	14
Avertissement HCA	6	Recommandations concernant la conservation des aliments congelés	15
Mesures d'économie d'énergie.....	6	Disposition des denrées.....	15
		Informations concernant la congélation..	16
3 Installation	7	Description et nettoyage du filtre à odeurs:.....	17
Points à prendre en compte lorsque vous transportez à nouveau votre produit.	7	Support à œufs	17
Avant de faire fonctionner votre réfrigérateur	7	Fontaine frigorigère	18
Réglage des pieds.....	8	Récipient de conservation rotatif.....	20
Branchement électrique.....	8	Distributeur de glaçons	21
Mise au rebut de l'emballage	8	Éclairage bleu	21
Mise au rebut de votre ancien réfrigérateur	8	6 Entretien et nettoyage	22
Disposition et Installation	8	Protection des surfaces en plastique. ...	22
		7 Dépannage	23

1 Le Réfrigérateur



1. Étagère du compartiment congélation
2. Distributeur de glaçons
3. Récipient de conservation de glaçons
4. Réservoir d'eau du distributeur de glaçons
5. Indicateur de réglage de température
6. Clayettes en verre réglables
7. Filtre d'odeurs
8. Lentilles d'illumination
9. Clayette range-bouteilles
10. Compartiment amuse-gueule
11. Couvercle du bac à légumes
12. Bac à légumes
13. Pieds réglables

14. Balconnets de la porte du compartiment congélateur
15. Support à œufs
16. Récipient de remplissage de la fontaine
17. Réservoir de la fontaine frigorigère
18. Balconnets de la porte du compartiment de réfrigération
19. Récipients de conservation coulissants et rotatifs
20. Compartiment congélateur
21. Compartiment réfrigérateur

* **EN OPTION**

I Les illustrations présentées dans cette notice d'utilisation sont schématiques et peuvent ne pas correspondre exactement à votre produit. Si des pièces présentées ne sont pas comprises dans le produit que vous avez acheté, elles sont valables pour d'autres modèles.

2 Précautions de sécurité importantes

Veillez examiner les informations suivantes : Si elles ne sont pas respectées, des blessures personnelles ou un dommage matériel peut survenir. Sinon, tout engagement lié à la garantie et à la fiabilité du produit devient invalide.

La durée de vie du produit que vous avez acheté est de 10 ans. Il s'agit ici de la période au cours de laquelle vous devez conserver les pièces de rechange nécessaires à son fonctionnement.

Utilisation prévue

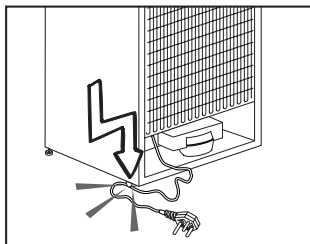
- Cet appareil est conçu pour un usage domestique et des utilisations similaires comme
 - les cuisines du personnel dans les boutiques, les bureaux et autres environnements de travail ;
 - les fermes et pour une utilisation par les clients dans les hôtels, motels et autres types d'environnement résidentiel ;
 - les environnements de type bed and breakfast ;
 - la restauration et les usages similaires non destinés à la vente.
 - Il ne doit en conséquence pas être utilisé en extérieur. Il n'est pas adapté à un usage en extérieur, même si l'endroit est abrité par un auvent.
- Ne placez pas de boissons en bouteilles ou en cannettes dans le congélateur. Cela peut entraîner leur éclatement.
 - Ne touchez pas des produits congelés avec les mains, ils pourraient se coller à celles-ci.
 - La vapeur et des matériaux de nettoyage pulvérisés ne doivent jamais être utilisés pour les processus de nettoyage ou de dégivrage de votre réfrigérateur. La vapeur pourrait pénétrer dans les pièces électriques et provoquer des courts-circuits ou des électrocutions.
 - Ne jamais utiliser les pièces de votre réfrigérateur telles que la porte, comme un support ou une marche.
 - N'utilisez pas d'appareils électriques à l'intérieur du réfrigérateur.
 - N'endommagez pas le circuit de refroidissement où circule le liquide réfrigérant avec des outils de forage ou coupants. Le liquide réfrigérant qui pourrait s'échapper si les canalisations de gaz de l'évaporateur, les rallonges de tuyau ou les revêtements de surface étaient percés, peut irriter la peau et provoquer des blessures aux yeux.
 - Ne pas couvrir ou obstruer les orifices de ventilation du réfrigérateur.
 - Les réparations de l'appareillage électrique doivent être réalisées par des techniciens qualifiés. Les réparations réalisées par des personnes ne présentant pas les compétences requises peuvent présenter un risque pour l'utilisateur.

Sécurité générale

- Avant de vous débarrasser de votre appareil, veuillez consulter les autorités locales ou votre revendeur pour connaître le mode opératoire et les organismes de collecte agréés.
- Consultez le service après-vente agréé concernant toutes questions ou problèmes relatifs au réfrigérateur. N'intervenez pas ou ne laissez personne intervenir sur le réfrigérateur sans le communiquer au service après-vente agréé.
- Ne mangez pas de cônes de crème glacée ou des glaçons immédiatement après les avoir sortis du compartiment de congélation. (Cela pourrait provoquer des gelures dans votre bouche).
- En cas de dysfonctionnement ou lors d'opérations d'entretien ou de réparation, débranchez l'alimentation électrique du réfrigérateur soit en désactivant le fusible correspondant, soit en débranchant l'appareil.
- Ne tirez pas sur le câble lorsque vous débranchez la prise.
- Placez les boissons alcoolisées verticalement, dans des récipients convenablement fermés.
- Ne conservez pas de substances explosives comme des aérosols avec un liquide inflammable dans cet appareil.

- N'utilisez pas d'outils mécaniques ou autres dispositifs pour accélérer le processus de décongélation autres que ceux qui sont recommandés par le fabricant.
- L'utilisation de cet appareil est interdite aux personnes (enfants compris) souffrant de déficience physique, sensorielle, mentale, ou justifiant d'un manque d'expérience à moins d'avoir obtenu une autorisation auprès des personnes responsables de leur sécurité.
- Ne faites pas fonctionner un réfrigérateur endommagé. Consultez le service après-vente en cas de doutes.
- La sécurité électrique du réfrigérateur n'est assurée que si le système de mise à la terre de votre domicile est conforme aux normes en vigueur.
- L'exposition du produit à la pluie, la neige, au soleil ou au vent présente des risques concernant la sécurité électrique.
- Contactez le service après-vente agréé lorsque le câble d'alimentation est endommagé afin d'éviter tout danger.
- Ne branchez jamais le réfrigérateur à la prise murale au cours de l'installation. Vous vous exposeriez à un risque de mort ou à de blessures graves.
- Ce réfrigérateur a été fabriqué uniquement dans le but de conserver les denrées. Par conséquent, il ne doit pas être utilisé à d'autres fins.
- L'étiquette qui décrit les spécifications techniques du produit se trouve sur la partie intérieure gauche du réfrigérateur.
- Évitez d'accrocher le réfrigérateur aux systèmes d'économie d'énergie électronique car ils peuvent endommager le produit.
- Si le réfrigérateur est éclairé par une lumière bleue, évitez de regarder cette lumière bleue à travers des appareils optiques.
- Si l'alimentation électrique est coupée dans un réfrigérateur à commande manuelle, veuillez patienter pendant au moins 5 minutes avant de rétablir la connexion électrique.
- Si le propriétaire du réfrigérateur venait à changer, n'oubliez pas de remettre le présent manuel d'utilisation au nouveau bénéficiaire.

- Veillez à ne pas endommager le câble d'alimentation pendant le transport du réfrigérateur. Afin d'éviter tout risque d'incendie, prenez garde de ne pas tordre le câble d'alimentation. Des objets lourds ne doivent pas être posés sur le câble d'alimentation. Pendant le branchement du réfrigérateur, évitez de tenir la prise de courant avec des mains mouillées.



- Évitez de brancher le réfrigérateur lorsque la prise de courant électrique a lâché.
- Pour des raisons d'ordre sécuritaire, évitez tout contact direct de l'eau avec les parties externes et internes du réfrigérateur.
- En raison des risques d'incendie et d'explosion, évitez de vaporiser des matières inflammables comme le gaz propane à proximité du réfrigérateur.
- Pour éviter tout risque de choc électrique ou d'incendie, évitez de mettre des objets remplis d'eau au-dessus du réfrigérateur.
- Évitez de surcharger le réfrigérateur avec une quantité excessive d'aliments. Le trop-plein d'aliments peut tomber à l'ouverture de la porte, ce qui peut vous blesser ou endommager le réfrigérateur. Évitez de mettre des objets au-dessus du réfrigérateur dans la mesure où ceux-ci peuvent tomber pendant l'ouverture ou la fermeture de la porte du réfrigérateur.
- Les objets nécessitant certaines conditions de conservation comme le vaccin, les médicaments sensibles à la température, les matériels scientifiques, etc., ne doivent pas être conservés dans le réfrigérateur.
- Débranchez le réfrigérateur si vous n'allez pas vous en servir au cours d'une période prolongée. Un problème survenu au niveau de l'isolation du câble électrique peut donner lieu à un incendie.

- Le bout de la fiche électrique doit être nettoyée régulièrement. Dans le cas contraire, il peut provoquer un incendie.
- Le réfrigérateur peut bouger lorsque les pieds réglables ne sont pas positionnés fermement sur le sol. En ajustant les pieds réglables, vous pouvez savoir lorsque le réfrigérateur est positionné fermement sur le sol.
- Si la porte du réfrigérateur est dotée d'une poignée, évitez de tenir cette poignée pendant le transport de l'appareil car celle-ci est susceptible de se détacher du réfrigérateur.
- Si vous êtes tenu de faire fonctionner votre appareil tout près d'un autre réfrigérateur ou d'un congélateur, veuillez prévoir au moins 8 cm d'écart entre les deux appareils. Dans le cas contraire, il peut y avoir condensation au niveau des parois internes situées les unes en face des autres.
- La pression de l'eau ne doit pas être en-dessous d' 1 bar. La pression de l'eau ne doit pas être au-dessus de 8 bars.
- Utilisez uniquement de l'eau potable.

Sécurité enfants

- Si la porte a un verrouillage, la clé doit rester hors de portée des enfants.
- Les enfants doivent être encadrés afin d'éviter tout jeu avec l'appareil.

Avertissement HCA

Si votre appareil est équipé d'un système de refroidissement contenant du R600a :

Ce gaz est inflammable. Par conséquent, veuillez prendre garde à ne pas endommager le système de refroidissement et les tuyauteries lors de son utilisation ou de son transport. En cas de dommages, éloignez votre produit de toute source potentielle de flammes susceptible de provoquer l'incendie de l'appareil. De même, placez le produit dans une pièce aérée.

Ignorez l'avertissement si votre appareil est équipé d'un système de refroidissement contenant du R134a.

Vous pouvez voir le gaz été utilisé dans la fabrication de votre appareil sur la plaque signalétique qui se trouve dans la partie intérieure gauche du produit.

Ne jamais jeter le produit au feu.

Mesures d'économie d'énergie

- Ne laissez pas les portes du réfrigérateur ouvertes pendant une durée prolongée.
- N'introduisez pas de denrées ou de boissons chaudes dans le réfrigérateur.
- Ne surchargez pas le réfrigérateur pour ne pas obstruer pas la circulation d'air à l'intérieur.
- N'installez pas le réfrigérateur à la lumière directe du soleil ou près d'appareil émettant de la chaleur tels qu'un four, un lave-vaisselle ou un radiateur.
- Veillez à conserver vos denrées dans des récipients fermés.
- Une quantité maximale de nourriture peut être mise dans le compartiment congélateur de votre réfrigérateur quand l'étagère ou le tiroir du compartiment est enlevé. Le niveau de consommation d'énergie affiché pour votre réfrigérateur a été déterminé quand l'étagère ou le tiroir du compartiment congélateur a été enlevé et que la quantité de nourriture était maximale. L'utilisation d'une étagère ou d'un tiroir en fonction de la taille et de la nature de la nature à congeler ne comporte aucun risque.

3 Installation

⚠ Veuillez noter que le fabricant ne pourra être tenu responsable si les informations fournies dans cette notice d'utilisation ne sont pas respectées.

Points à prendre en compte lorsque vous transportez à nouveau votre produit.

1. Le réfrigérateur doit être vidé et nettoyé avant tout transport.
2. Les clayettes, accessoires, bac à légumes, etc. de votre réfrigérateur doivent être fixés solidement avec de la bande adhésive avant de remballer l'appareil, pour le protéger en cas de chocs.
3. L'emballage doit être fixé avec une bande adhésive forte et des cordes solides, et les normes de transport indiquées sur l'emballage doivent être appliquées.

Gardez à l'esprit les points suivants...

Chaque matériau recyclé est une participation indispensable à la préservation de la nature et conservation de nos ressources nationales.

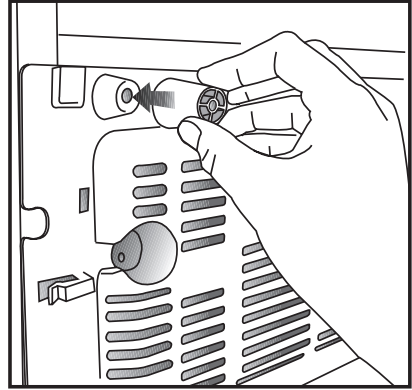
Si vous souhaitez contribuer à recycler les matériaux d'emballage, vous pouvez obtenir des informations supplémentaires auprès des organismes environnementaux ou des autorités locales.

Avant de faire fonctionner votre réfrigérateur

Avant de commencer à faire fonctionner votre réfrigérateur, vérifiez les points suivants :

1. L'intérieur du réfrigérateur est sec et l'air peut circuler librement à l'arrière?

2. Vous pouvez installer les 2 cales en plastique comme illustré dans le schéma. Les cales en plastique maintiendront la distance nécessaire entre votre réfrigérateur et le mur pour permettre une bonne circulation de l'air. (Le schéma présenté est fourni à titre indicatif et peut ne pas correspondre exactement avec votre produit.)



3. Nettoyez l'intérieur du réfrigérateur tel qu'indiqué dans la section « Entretien et nettoyage ».
4. Branchez le réfrigérateur à la prise murale. Lorsque la porte du réfrigérateur est ouverte, l'éclairage intérieur s'allume.
5. Vous remarquerez un bruit lorsque le compresseur se met en marche. Le liquide et les gaz intégrés au système du réfrigérateur peuvent également faire du bruit, que le compresseur soit en marche ou non. Ceci est tout à fait normal.
6. Les parties antérieures du réfrigérateur peuvent chauffer. Ce phénomène est normal. Ces zones doivent en principe être chaudes pour éviter tout risque de condensation.

Branchement électrique

Branchez votre réfrigérateur à une prise de mise à la terre protégée par un fusible ayant une capacité appropriée.

Important :

- Le branchement doit être conforme aux normes en vigueur sur le territoire national.
- La fiche de câble d'alimentation doit être facilement accessible après installation.
- La tension spécifiée doit être égale à votre tension de secteur.
- Les rallonges et prises multivoies ne doivent pas être utilisés pour brancher l'appareil.

⚠ Un câble d'alimentation endommagé doit être remplacé par un électricien qualifié.

⚠ L'appareil ne doit pas être mis en service avant d'être réparé ! Un risque de choc électrique existe !

Mise au rebut de l'emballage

Les matériaux d'emballage peuvent être dangereux pour les enfants. Tenez les matériaux d'emballage hors de portée des enfants ou débarrassez-vous-en conformément aux consignes sur les déchets. Ne les jetez pas aux côtés des ordures ménagères ordinaires.

L'emballage de votre appareil est produit à partir des matériaux recyclables.

Mise au rebut de votre ancien réfrigérateur

Débarrassez-vous de votre ancien réfrigérateur sans nuire à l'environnement.

- Vous pouvez consulter le service après-vente agréé ou le centre chargé de la mise au rebut dans votre municipalité pour en savoir plus sur la mise au rebut de votre produit.

Avant de procéder à la mise au rebut de votre machine, coupez la prise électrique et, le cas échéant, tout verrouillage susceptible de se trouver sur la porte. Rendez-les inopérants afin de ne pas exposer les enfants à d'éventuels dangers.

Disposition et Installation

⚠ Si la porte d'entrée de la pièce où sera installé le réfrigérateur n'est pas assez large pour laisser passer le réfrigérateur, appelez alors le service après-vente pour faire retirer les portes du réfrigérateur et le faire passer latéralement.

1. Installez le réfrigérateur dans un emplacement qui permette une utilisation pratique.

2. Maintenez le réfrigérateur éloigné de toutes sources de chaleur, des endroits humides et de la lumière directe du soleil.

3. Une ventilation d'air autour du réfrigérateur doit être aménagée pour obtenir un fonctionnement efficace. Si le réfrigérateur est placé dans un enfoncement du mur, il doit y avoir un espace d'au moins 5 cm avec le plafond et d'au moins 5 cm avec le mur. Si le sol est couvert de moquette, votre produit doit être surélevé à 2,5 cm du sol.

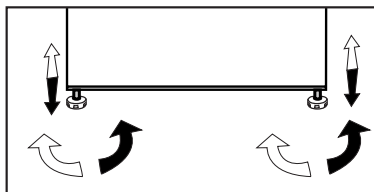
4. Placez le réfrigérateur sur un a de surface plane afin d'éviter les à-coups.

5. N'exposez pas le réfrigérateur à des températures ambiantes inférieures à 10°C.

Réglage des pieds

Si le réfrigérateur n'est pas stable.

Vous pouvez équilibrer le réfrigérateur en tournant les pieds avant, tel qu'illustré dans le schéma. Le côté où se trouve le pied s'abaisse lorsque vous tournez dans le sens de la flèche noire, et s'élève lorsque vous tournez dans le sens opposé. Si vous vous faites aider par quelqu'un pour légèrement soulever le réfrigérateur, l'opération s'en trouvera simplifiée.



4 Préparation

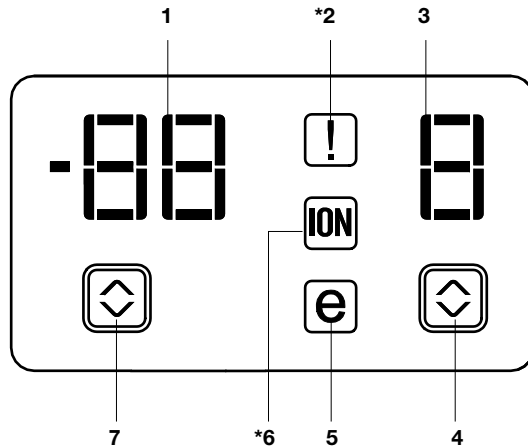
- i** Votre réfrigérateur doit être installé à au moins 30 cm des sources de chaleur telles que les plaques de cuisson, les fours, appareils de chauffage ou cuisinières, et à au moins 5 cm des fours électriques. De même, il ne doit pas être exposé à la lumière directe du soleil.
- i** La température ambiante de la pièce où vous installez le réfrigérateur doit être d'au moins 10°C. Faire fonctionner l'appareil sous des températures inférieures n'est pas recommandé et pourrait nuire à son efficacité.
- i** Veuillez vous assurer que l'intérieur de votre appareil est soigneusement nettoyé.
- i** Si deux réfrigérateurs sont installés côte à côte, ils doivent être séparés par au moins 2 cm.
- i** Lorsque vous faites fonctionner le réfrigérateur pour la première fois, assurez-vous de suivre les instructions suivantes pendant les six premières heures.
 - La porte ne doit pas être ouverte fréquemment.
 - Le réfrigérateur doit fonctionner à vide, sans denrées à l'intérieur.
 - Ne débranchez pas le réfrigérateur. Si une panne de courant se produit, veuillez vous reporter aux avertissements dans la section « Solutions recommandées aux problèmes ».
- i** L'emballage et les matériaux de protection d'emballage doivent être conservés pour les éventuels transports ou déplacements à venir.

5 Utilisation du réfrigérateur

Bandeau indicateur

Les panneaux indicateurs peuvent varier en fonction du modèle de produit.

Le bandeau indicateur vous aide à utiliser votre réfrigérateur avec ses fonctions sonores et visuelles.



1. Indicateur de température du compartiment de congélation
2. Indicateur d'état de dysfonctionnement
3. Indicateur de la température du compartiment réfrigérateur
4. Bouton de réglage de température du compartiment de réfrigération
5. Indicateur de mode Economie
6. Témoin ioniseur
7. Bouton de réglage de température du compartiment de congélation

1. Indicateur de température du compartiment de congélation

Indique le réglage de température pour le compartiment réfrigérateur.

2. Indicateur d'état de dysfonctionnement

Si votre réfrigérateur ne refroidit pas correctement ou s'il y a un dysfonctionnement dans un capteur, cet indicateur sera activé. Lorsque cet indicateur est activé, l'indicateur de la température du compartiment de congélation affichera "E" et l'indicateur de température du compartiment du réfrigérateur affichera des chiffres, par ex. : « 1,2,3... ».

Ces nombres fournissent des informations concernant le dysfonctionnement au personnel de maintenance.

3. Indicateur de la température du compartiment réfrigérateur

Indique le réglage de température pour le compartiment réfrigérateur.

4. Bouton de réglage de température du compartiment de réfrigération

Appuyez sur ce bouton pour régler la température du compartiment réfrigérateur à 8, 6, 4, 2, 8... respectivement. Appuyez sur ce bouton pour définir la température souhaitée pour le compartiment réfrigérateur.

5. Indicateur de mode Economie

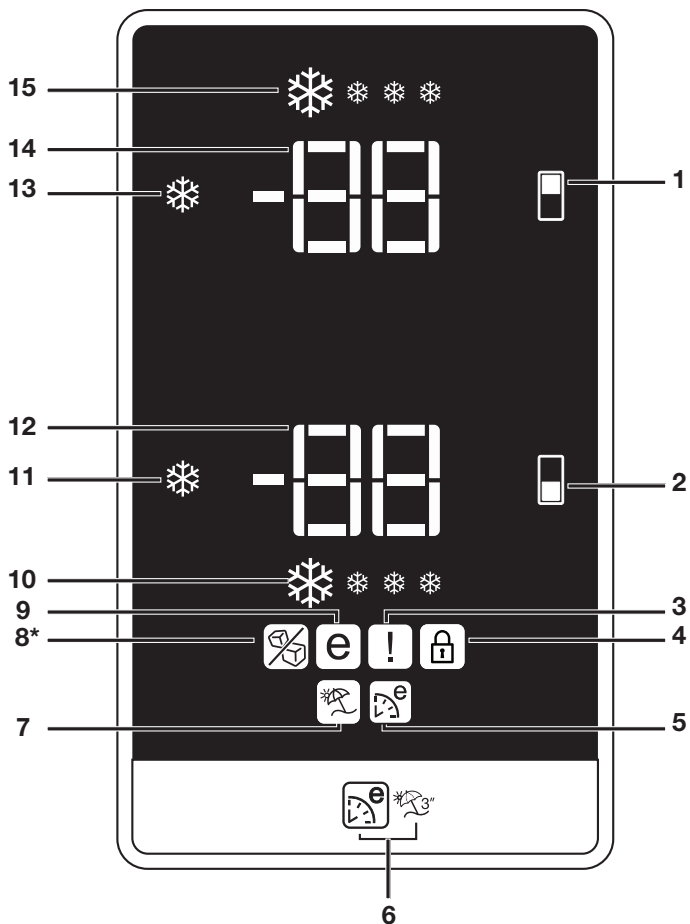
Il indique que le réfrigérateur fonctionne en mode d'économie d'énergie.

6. Témoin ioniseur

L'indicateur s'allume en continu. Cet éclairage indique que votre réfrigérateur est protégé contre les bactéries.

7. Bouton de réglage de température du compartiment de congélation

Appuyez sur ce bouton pour régler la température du compartiment de congélation respectivement sur -18, -20, -22, -24, -18... Appuyez sur ce bouton pour définir la température souhaitée pour le compartiment congélateur.



- | | |
|--|--|
| <p>1. Réglage du compartiment congélateur /
Bouton marche/arrêt du distributeur de
glaçons</p> <p>2. Bouton de réglage du compartiment de
réfrigération</p> <p>3. Indicateur d'état de dysfonctionnement</p> <p>4. Voyant verrouillage des commandes</p> <p>5. Indicateur de fonction Eco Extra</p> <p>6. Bouton Eco Extra / Vacances</p> <p>7. Indicateur de Fonction Vacances</p> | <p>8. Indicateur distributeur de glaçons arrêté
(*sur certains modèles)</p> <p>9. Voyant d'économie d'énergie</p> <p>10. Indicateur de réfrigération rapide</p> <p>11. Fonction de réfrigération rapide</p> <p>12. Indicateur de la température du réfrigérateur</p> <p>13. Bouton de la fonction de congélation rapide</p> <p>14. Indicateur de la température du
compartiment réfrigérateur</p> <p>15. Indicateur de la fonction de congélation
rapide</p> |
|--|--|

1. Réglage du compartiment congélateur / Bouton marche/arrêt du distributeur de glaçons

Cette fonction vous donne la possibilité de régler la température du compartiment congélateur. Appuyez sur ce bouton pour régler la température du compartiment de congélation respectivement sur -18, -20, -22, et -24.

Pour arrêter la formation de glaçons, appuyez sur le bouton marche-arrêt du distributeur de glaçons pendant 3 secondes. L'arrivée d'eau du réservoir à eau sera arrêtée en sélectionnant cette fonction. Toutefois, les glaçons déjà formés peuvent être retirés du distributeur. Pour redémarrer la formation de glaçons, appuyez sur le bouton marche-arrêt du distributeur de glaçons pendant 3 secondes.

2. Bouton de réglage du compartiment réfrigérateur

Cette fonction vous donne la possibilité de régler la température du compartiment réfrigérateur. Appuyez sur ce bouton pour régler la température du compartiment réfrigérateur à 8, 6, 4, et 2 respectivement.

3. Indicateur d'état de dysfonctionnement

Si votre réfrigérateur ne refroidit pas correctement ou s'il y a un dysfonctionnement dans un capteur, cet indicateur sera activé. Lorsque cet indicateur est activé, l'indicateur de la température du compartiment de congélation affichera "E" et l'indicateur de température du compartiment du réfrigérateur affichera des chiffres, par ex.: "1,2,3...". Ces nombres fournissent des informations concernant le dysfonctionnement au personnel de maintenance.

Lorsque vous placez des aliments chauds dans le compartiment congélateur ou si laissez la porte ouverte trop longtemps, un point d'exclamation peut s'illuminer. Il ne s'agit pas d'une erreur, cet avertissement disparaît lorsque les aliments refroidissent.

4. Voyant verrouillage des commandes

Utilisez cette fonction si vous souhaitez conserver les réglages de température de votre réfrigérateur. Appuyez sur les boutons de réglage du compartiment réfrigérateur et de réglage du compartiment congélateur simultanément pendant longtemps (3 secondes environ) pour activer cette fonction.

5. Indicateur de fonction Eco Extra

Indique que la fonction Eco Extra est en marche.

Si cette fonction est active, "votre réfrigérateur détectera automatiquement les dernières périodes d'utilisation et un refroidissement économe en énergie sera réalisé pendant ces périodes. L'indicateur d'économie est activé lorsque le refroidissement à économie d'énergie est réalisé.

Appuyez sur le bouton correspondant pour désactiver cette fonction.

6. Bouton Eco Extra / Vacances

Appuyez brièvement sur ce bouton pour activer la fonction Eco Extra. Appuyez sur ce bouton pendant 3 secondes pour activer la fonction Vacances. Appuyez de nouveau sur ce bouton pour désactiver la fonction sélectionnée.

7. Indicateur de Fonction Vacances

Il indique que la fonction vacances est en marche. Si cette fonction est active, "- -" s'affiche sur l'indicateur du compartiment du réfrigérateur, et aucun refroidissement n'est réalisé dans le compartiment du réfrigérateur. Les autres compartiments seront refroidis en fonction de la température définie pour leur fonctionnement.

Appuyez sur le bouton correspondant pour désactiver cette fonction.

8. Indicateur Ice Off

Le distributeur de glaçons ne fonctionne pas lorsque l'indicateur de cette fonction est allumé. Reportez-vous à l'Élément 1 pour activer le distributeur de glaçons.

9. Indicateur de mode Economie

Il indique que le réfrigérateur fonctionne en mode d'économie d'énergie. Température du compartiment de congélation

Cet indicateur sera activé si la fonction est réglée sur -18 ou si le refroidissement à économie d'énergie est réalisé suite à l'activation de la fonction Eco Extra.

10. Indicateur de réfrigération rapide

L'icône clignote de manière animée lorsque la fonction de réfrigération rapide est active.

11. Fonction de réfrigération rapide

Lorsque vous appuyez sur le bouton Réfrigération rapide, la température du compartiment sera plus froide que les valeurs de réglage.

Cette fonction peut être utilisée pour les denrées placées dans le compartiment de réfrigération que l'on souhaite refroidir rapidement.

Si vous souhaitez introduire de grandes quantités de produits frais dans le réfrigérateur, nous vous recommandons d'activer au préalable cette option.

L'indicateur de réfrigération rapide s'allume lorsque sa fonction est activée. Pour annuler cette fonction, appuyez à nouveau sur le bouton Réfrigération rapide.

Après 4 heures de temps, ou lorsque le compartiment réfrigérateur atteint la température souhaitée, cet indicateur s'annulera automatiquement si vous ne le faites pas.

Cette fonction n'est pas reprise lorsque le courant est rétabli après une panne de courant.

12. Indicateur de réglage de température du compartiment réfrigérateur

Indique le réglage de température pour le compartiment réfrigérateur.

13. Indicateur de réglage de température du compartiment de congélation

Indique le réglage de température pour le compartiment réfrigérateur.

14. Fonction de congélation rapide

L'indicateur de congélation rapide s'allume lorsque sa fonction est activée. Pour annuler cette fonction, appuyez à nouveau sur le bouton Congélation rapide. L'indicateur de congélation rapide s'éteindra et retournera à son réglage normal. Après 8 heures de temps, ou lorsque le compartiment Congélateur atteint la température souhaitée, cet indicateur s'annulera automatiquement si vous ne le faites pas.

Si vous souhaitez congeler de grandes quantités de produits frais, appuyez sur le bouton Congélation rapide avant d'introduire ces produits dans le compartiment de congélation.

Si vous appuyez sur le bouton de Congélation rapide de façon répétée à intervalles courts, la protection du circuit électronique s'activera et le compresseur ne démarrera pas automatiquement.

Cette fonction n'est pas reprise lorsque le courant est rétabli après une panne de courant.

15. Indicateur de congélation rapide

L'icône clignote de manière animée lorsque la fonction de congélation rapide est active.

Avertissement - Porte ouverte

(Cette fonction peut varier suivant le type de porte installé sur le produit et peut ne pas exister sur certains modèles.)

Un signal d'avertissement sonore sera donné lorsque la porte du réfrigérateur de votre produit restera ouverte pendant au moins 1 minute. Cet avertissement s'arrête en refermant la porte est fermée ou en appuyant sur n'importe quel bouton de l'affichage.

Congélation des produits frais

- Enveloppez ou couvrez vos aliments avant de les placer au réfrigérateur.
 - Laissez refroidir les aliments à la température ambiante avant de les placer au réfrigérateur.
 - Les denrées que vous souhaitez surgeler doivent être fraîches et en bon état.
 - Il est conseillé de séparer les denrées en portions en fonction des besoins quotidiens de votre famille ou par repas.
 - Les denrées doivent être emballées hermétiquement afin d'éviter qu'elles ne s'assèchent, même si elles ne doivent être conservées qu'une courte période.
 - Les matériaux utilisés pour l'emballage doivent résister aux déchirures, au froid, à l'humidité, et doivent être imperméables aux odeurs, aux graisses et aux acides et être hermétiques. Par ailleurs, ils doivent fermer correctement et être composés de matériaux simples d'utilisation et adaptés à un usage dans un congélateur.
- Les denrées congelées doivent être consommées immédiatement après leur décongélation et elles ne doivent jamais être recongelées.
 - Veuillez respecter les instructions suivantes afin d'obtenir les meilleurs résultats.
 1. Ne congelez pas une quantité trop importante à la fois. La qualité des aliments est préservée de façon optimale lorsqu'ils sont entièrement congelés aussi rapidement que possible.
 2. Le fait d'introduire des aliments chauds dans le congélateur entraîne le fonctionnement du système de refroidissement en continu jusqu'à ce que les aliments soient entièrement congelés.
 3. Faites particulièrement attention à ne pas mélanger les produits déjà congelés et les produits frais.

Réglage du compartiment congélateur	Réglage du compartiment réfrigérateur	Explications
-18	4°C	Voici le réglage normal recommandé.
-20,-22 ou -24°C	4°C	Ces réglages sont recommandés lorsque la température ambiante dépasse 30 °C
Congélation rapide	4°C	Cet indicateur est utilisé lorsque vous voulez congeler vos denrées pendant une courte période. Le réfrigérateur retournera à son mode de fonctionnement précédent lorsque le processus sera terminé.
-18°C ou plus froid	2°C	Si vous pensez que le compartiment de réfrigération n'est pas assez froid à cause de la chaleur ou des ouvertures / fermetures fréquentes de la porte.
-18°C ou plus froid	c) Réfrigération rapide	Vous pouvez utiliser ce réglage lorsque le compartiment de réfrigération est surchargé ou lorsque vous souhaitez refroidir rapidement vos denrées. Il est conseillé d'activer la fonction de réfrigération rapide pendant 4 à 8 heures de temps avant d'introduire les denrées.

Recommandations concernant la conservation des aliments congelés

- Pour un compartiment des denrées congelées *** ** *** (4 étoiles), les aliments préemballés et surgelés, destinés à un usage commercial, doivent être conservés conformément aux instructions du fabricant de produits congelés.
- Afin de veiller à ce que la qualité supérieure recherchée par le fabricant et le détaillant des produits congelés soit atteinte, il convient de se rappeler les points suivants :
 1. Mettre les emballages dans le congélateur aussi rapidement que possible après achat.
 2. S'assurer que le contenu est étiqueté et daté.
 3. Ne pas dépasser les dates « à consommer avant le » et « à consommer de préférence avant le » figurant sur l'emballage.

Dégivrage

Le compartiment congélateur se dégivre automatiquement.

Disposition des denrées

Clayettes du compartiment congélation	Différentes denrées congelées comme de la viande, du poisson, des crèmes glacées, des légumes, etc.
Support à œufs	Œufs
Clayettes du compartiment de réfrigération	Nourriture dans des casseroles, assiettes couvertes et récipients fermés
Balconnets de la porte du compartiment de réfrigération	Produits ou boissons de petite taille et sous emballage (comme du lait, des jus de fruits ou de la bière)
Bac à légumes	Fruits et légumes
Compartiment Fraîcheur	Produits délicats (fromage, beurre, salami, etc.)

Informations concernant la congélation

Les denrées doivent être congelées le plus rapidement possible lorsqu'elles sont placées dans un réfrigérateur, afin de préserver leur qualité.

La norme TSE exige (sous certaines conditions de mesures) que le réfrigérateur congèle au moins 4,5 kg de denrées par volume de 100 litres de congélation en moins de 24 heures, avec une température ambiante de 32°C et une température intérieure inférieure ou égale à -18°C.

Il n'est possible de conserver des denrées sur de longues périodes qu'avec des températures inférieures ou égales à -18°C.

Vous pouvez conserver la fraîcheur de vos denrées pendant plusieurs mois (à des températures inférieures ou égales à -18°C dans le surgélateur).

AVERTISSEMENT !

- Il est conseillé de séparer les denrées en portions en fonction des besoins quotidiens de votre famille ou par repas.

- Les denrées doivent être emballées hermétiquement afin d'éviter qu'elles ne s'assèchent, même si elles ne doivent être conservées qu'une courte période.

Matériaux nécessaires à l'emballage :

- Bande adhésive résistant au froid
- Etiquette autocollante
- Élastiques en caoutchouc
- Stylo

Les matériaux utilisés pour l'emballage des denrées doivent résister aux déchirures, au froid, à l'humidité, et doivent être imperméables aux odeurs, aux graisses et aux acides.

Il faut éviter que les denrées à congeler n'entrent en contact avec des aliments déjà congelés afin d'empêcher le dégel partiel de ces aliments.

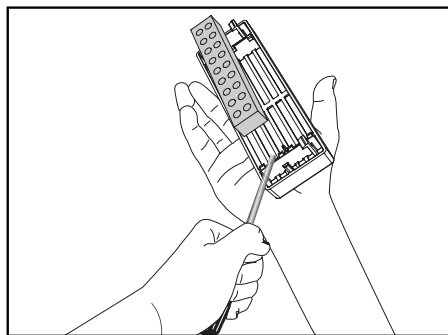
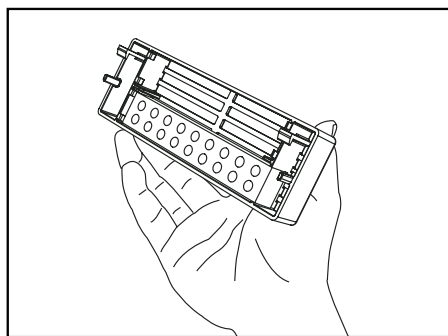
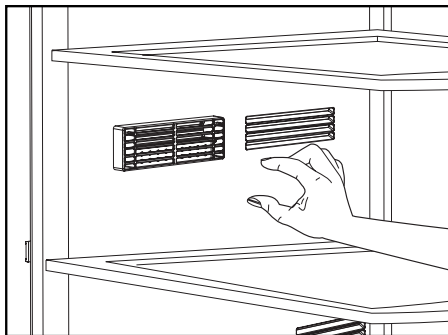
Les denrées congelées doivent être consommées immédiatement après leur décongélation et elles ne doivent jamais être recongelées.

Description et nettoyage du filtre à odeurs:

Le filtre à odeurs empêche la formation d'odeurs désagréables dans votre réfrigérateur.

Tirez le couvercle, dans lequel le filtre à odeurs est installé, vers le bas et enlevez comme illustré sur le schéma. Exposez le filtre sous la lumière directe du soleil pendant un jour. Le filtre sera nettoyé pendant ce temps. Remettez le filtre à sa place.

Le filtre à odeurs doit être nettoyé une fois l'an.



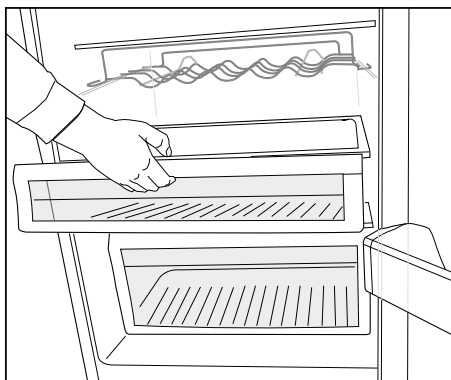
Compartiments amuse-gueule

Utilisez ces compartiments pour les aliments à conserver à une température quelques degrés en-dessous de celle du compartiment réfrigérateur.

Vous pouvez augmenter le volume interne de votre réfrigérateur en enlevant le compartiment amuse-gueule souhaité.

1. Tirez le compartiment vers vous jusqu'à ce qu'il soit interrompu par la butée.
2. Levez la partie avant et tirez vers vous pour retirer le compartiment de son support.

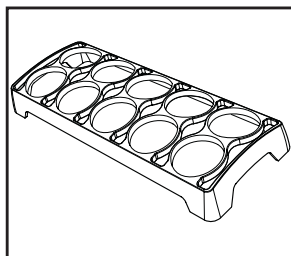
i Vous pouvez introduire les denrées à congeler dans ces compartiments afin de les préparer à l'opération de congélation.



Support à oeufs

Vous pouvez installer le support à oeufs sur un balconnet de la porte ou de l'intérieur que vous souhaitez.

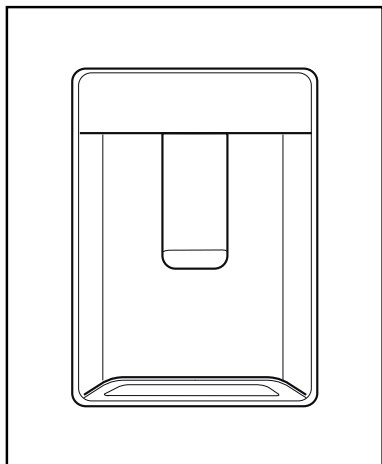
Ne placez jamais le support à oeufs dans le compartiment de congélation.



Fontaine frigorigique

(sur certains modèles)

Cette fontaine est très important pour obtenir de l'eau fraîche sans avoir à ouvrir la porte de votre réfrigérateur. Comme vous n'aurez pas à ouvrir fréquemment la porte de votre réfrigérateur, cela vous permettra d'économiser de l'énergie.



Utilisation de la fontaine

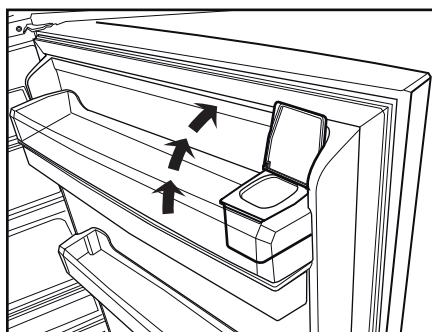
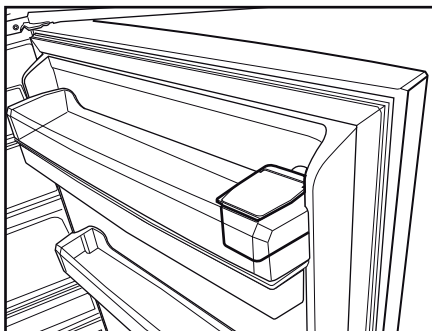
Appuyez sur le bouton de la fontaine avec votre verre. La fontaine cessera de fonctionner lorsque vous aurez relâché le bouton.

Pendant le fonctionnement de la fontaine, vous pouvez obtenir une quantité maximale en appuyant à fond sur le bouton. N'oubliez pas que la quantité de liquide obtenue est fonction du degré d'appui que vous exercez sur le bouton.

A mesure que le niveau d'eau de votre tasse / verre augmente, réduisez doucement la quantité de pression du bouton pour éviter tout risque de débordement. Si vous appuyez légèrement sur le bouton, l'eau tombera; ce phénomène est tout à fait normal et n'est pas un dysfonctionnement.

Remplir le réservoir d'eau de la fontaine frigorigique

Le réservoir d'approvisionnement en eau se trouve dans le balconnet de la porte. Ouvrez le couvercle du réservoir et remplissez-le avec de l'eau potable pure. Refermez ensuite le couvercle.



Avertissement !

- Ne remplissez pas le réservoir d'eau avec un liquide autre que de l'eau ; des boissons comme le jus de fruit, les boissons gazeuses, et les boissons alcooliques ne sont pas adaptées pour être utilisées avec le distributeur d'eau. Si de tels liquides sont utilisés, le distributeur connaîtra un dysfonctionnement et peut être profondément endommagé. La garantie ne couvre pas de telles utilisations. Certaines substances chimiques et additifs contenus dans de telles boissons / breuvages peuvent également endommager le réservoir d'eau.

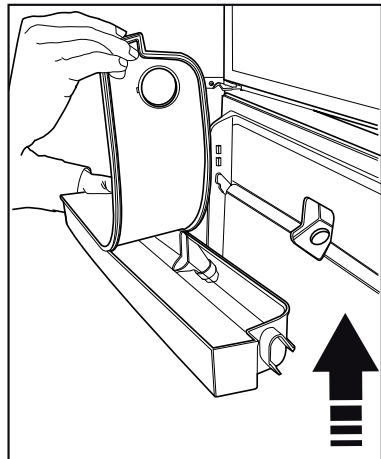
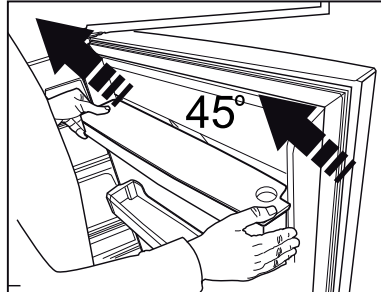
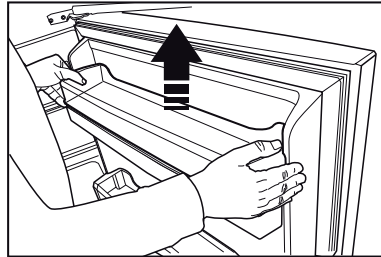
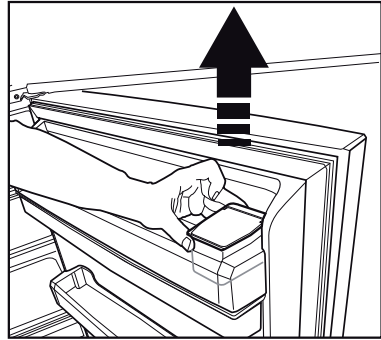
- Utilisez uniquement de l'eau potable pure.
- La capacité du réservoir est de 3 litres; ne dépassez pas la limite.
- Appuyez sur le bouton de la fontaine avec votre verre. Si vous utilisez une tasse jetable, poussez le bouton avec vos doigts à partir de l'arrière de la tasse.

Nettoyer le réservoir d'eau

- Retirez le réservoir d'approvisionnement en eau du balconnet de la porte.
- Retirez le balconnet de la porte en le tenant par les deux côtés.
- Tenez le réservoir par les deux côtés et retirez-le selon un angle de 45SDgr.
- Retirez le couvercle afin de nettoyer le réservoir.

Important :

Le réservoir d'eau et les composantes du distributeur d'eau ne peuvent pas être passés au lave-vaisselle.



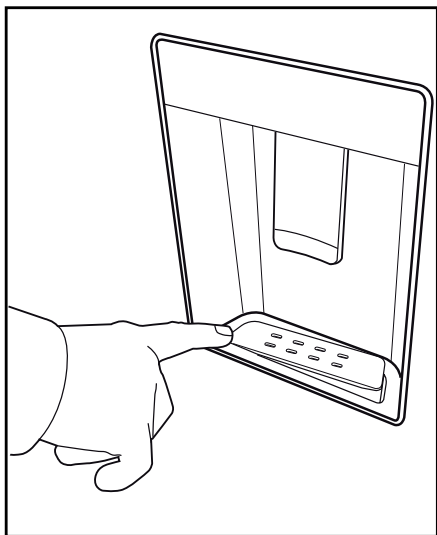
Bac à eau

L'eau qui s'écoule lors de l'utilisation du distributeur d'eau s'accumule dans le bac de dégivrage.

Retirez la crépine en plastique comme sur le schéma.

Retirez l'excédent d'eau à l'aide d'un chiffon propre et sec.

ATTENTION : Raccorder uniquement à un tuyau d'alimentation en eau potable.



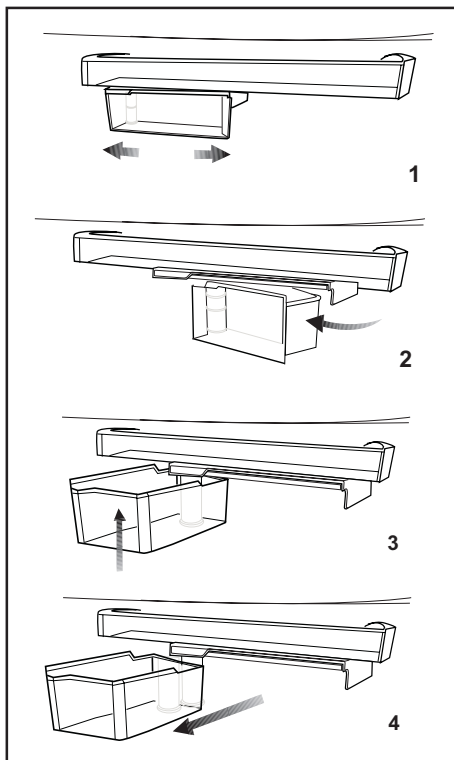
Réceptif de conservation rotatif

(sur certains modèles)

Vous pouvez faire glisser l'étagère coulissante vers la gauche ou vers la droite afin d'introduire les bouteilles de grande taille, les bocaux, ou les boîtes dans un compartiment inférieur (Fig. 1).

Vous pouvez obtenir les denrées alimentaires placées sur l'étagère en saisissant celle-ci et en la retournant à partir de son côté droit (Fig.2).

Lorsque vous voulez y mettre des aliments ou l'enlever pour la nettoyer, retournez-la dans un angle de 90 degrés, soulevez-la et tirez-la vers-vous (Fig.3-4).



Distributeur de glaçons

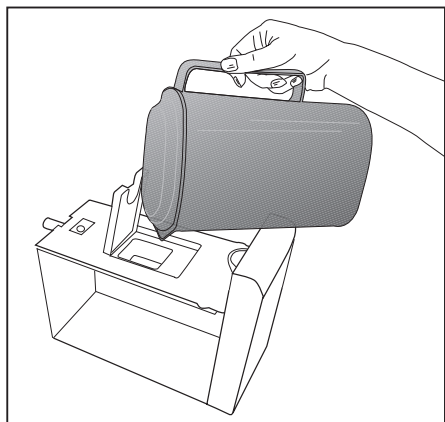
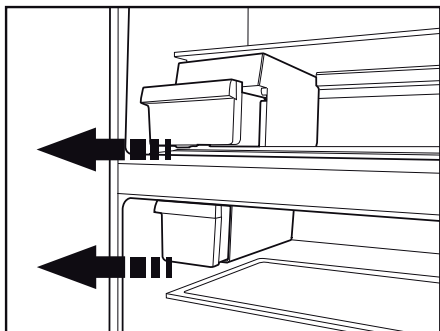
(sur certains modèles)

Le système de distributeur de glaçons automatique permet d'obtenir facilement des glaçons. Retirez le réservoir du compartiment réfrigérateur, remplissez-le d'eau et remettez-le en place pour que le distributeur de glaçons vous donne des glaçons.

Les premiers glaçons seront prêts en 2 heures dans le tiroir à glace du distributeur à glaçons situé dans le compartiment congélateur.

Si vous remplissez le réservoir complètement, vous devriez obtenir environ 60 à 70 glaçons.

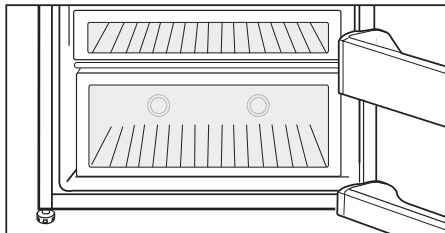
Changez l'eau du réservoir si elle stagne depuis 2 ou 3 semaines.



Éclairage bleu

(sur certains modèles)

Les denrées conservées dans les bacs à légumes sont éclairées par une lumière bleue qui, grâce aux effets de sa longueur d'onde, permet aux fruits et légumes de continuer la photosynthèse et ainsi de conserver leur fraîcheur et leur teneur en vitamines.



6 Entretien et nettoyage

- ⚠ N'utilisez jamais d'essence, de benzène ou de matériaux similaires pour le nettoyage.
- ⚠ Nous vous recommandons de débrancher l'appareil avant de procéder au nettoyage.
- ℹ N'utilisez jamais d'ustensiles tranchants, savon, produit de nettoyage domestique, détergent et cirage pour le nettoyage.
- ℹ Utilisez de l'eau tiède pour nettoyer la carrosserie du réfrigérateur et séchez-la soigneusement à l'aide d'un chiffon.
- ℹ Utilisez un chiffon humide imbibé d'une solution composée d'une cuillère à café de bicarbonate de soude pour un demi litre d'eau pour nettoyer l'intérieur et séchez soigneusement.
- ⚠ Prenez soin de ne pas faire couler d'eau dans le logement de la lampe et dans d'autres éléments électriques.
- ⚠ En cas de non utilisation de votre réfrigérateur pendant une période prolongée, débranchez le câble d'alimentation, sortez toutes les denrées, nettoyez-le et laissez la porte entrouverte.
- ℹ Inspectez les joints de porte régulièrement pour vérifier qu'ils sont propres et qu'il n'y a pas de particules de nourriture.
- ℹ Pour retirer les balconnets de portes, sortez tout son contenu puis poussez simplement le balconnet vers le haut à partir de la base.

Protection des surfaces en plastique.

- Ne placez pas d'huiles ou de plats huileux dans le réfrigérateur dans des récipients non fermés, car les graisses peuvent endommager les surfaces en plastique du réfrigérateur. Si vous versez ou éclaboussez de l'huile sur les surfaces en plastique, nettoyez et lavez les parties souillées avec de l'eau chaude immédiatement.

7 Dépannage

Veuillez vérifier la liste suivante avant d'appeler le service après-vente. Cela peut vous faire économiser du temps et de l'argent. Cette liste regroupe les problèmes les plus fréquents ne provenant pas d'un défaut de fabrication ou d'utilisation du matériel. Il se peut que certaines des fonctions décrites ne soient pas présentes sur votre produit.

Le réfrigérateur ne fonctionne pas.

- La fiche n'est pas insérée correctement dans la prise. >>> *Insérez correctement la fiche dans la prise.*
- Est-ce que le fusible ou la douille de raccord du réfrigérateur sont connectés ou est-ce que le fusible principal a sauté ? >>> *Vérifiez le fusible.*

Condensation sur la paroi intérieure du compartiment réfrigérateur. (MULTIZONE, COOL CONTROL et FLEXI ZONE).

- La température ambiante est très froide. >>> *N'installez pas le réfrigérateur dans des endroits où la température peut être inférieure à 10 °C.*
- La porte a été ouverte souvent. >>> *Évitez d'ouvrir et de fermer la porte du réfrigérateur souvent.*
- La température ambiante est très humide. >>> *N'installez pas votre réfrigérateur dans des endroits très humides.*
- La nourriture contenant du liquide est conservée dans des récipients ouverts. >>> *Ne conservez pas de la nourriture avec du contenu liquide dans des récipients ouverts.*
- La porte du réfrigérateur est laissée entrouverte. >>> *Fermez la porte du réfrigérateur.*
- Le thermostat est réglé à un niveau très froid. >>> *Réglez le thermostat à un niveau adapté.*

Le compresseur ne fonctionne pas.

- i** Le dispositif de protection thermique du compresseur sautera en cas de coupures soudaines du courant ou de débranchement intempestif, en effet la pression du liquide réfrigérant du système de refroidissement ne sera pas équilibrée. Le réfrigérateur recommencera à fonctionner normalement après 6 minutes environ. Veuillez contacter le service après-vente si le réfrigérateur ne redémarre pas après cette période.
- Le réfrigérateur est en mode de dégivrage. >>> *Cela est normal pour un réfrigérateur à dégivrage semi-automatique. Le cycle de dégivrage se déclenche régulièrement.*
- Le réfrigérateur n'est pas branché à la prise. >>> *Assurez-vous que la prise est branchée à la prise murale.*
- Les réglages de température ne sont pas effectués correctement. >>> *Sélectionnez la température appropriée.*
- Il y a une panne de courant. >>> *Le réfrigérateur recommence à fonctionner normalement après le retour du courant.*

Le niveau sonore augmente lorsque le réfrigérateur est en marche.

- i** Les caractéristiques de performance du réfrigérateur peuvent changer en raison des variations de la température ambiante. Cela est normal et n'est pas un défaut.

Le réfrigérateur fonctionne fréquemment ou pendant de longues périodes.

- i** Votre nouveau réfrigérateur est peut être plus large que l'ancien. Les grands réfrigérateurs durent plus longtemps.
- La température ambiante peut être élevée. >>> *Il est normal que l'appareil fonctionne pendant plus longtemps quand la température ambiante est élevée.*
 - Le réfrigérateur a été branché ou rempli avec de la nourriture récemment. >>> *Quand le réfrigérateur a été branché ou rempli avec de la nourriture récemment, il prendra plus de temps pour atteindre la température réglée. Ce phénomène est normal.*
 - D'importantes quantités de denrées chaudes ont peut être été introduites dans le réfrigérateur récemment. >>> *Ne mettez pas de nourriture chaude dans le réfrigérateur.*
 - Les portes ont peut être été ouvertes fréquemment ou laissées entrouvertes pendant une durée prolongée. >>> *L'air chaud qui entre dans le réfrigérateur le fait fonctionner pendant de plus longues périodes. N'ouvrez pas les portes fréquemment.*
 - La porte du congélateur ou du réfrigérateur est laissée entrouverte. >>> *Vérifiez que les portes sont bien fermées.*
 - Le réfrigérateur est réglé à une température très basse. >>> *Réglez la température du réfrigérateur à un degré supérieur et attendez jusqu'à ce que la température soit bonne.*
 - Le joint de la porte du réfrigérateur ou du congélateur peut être sale, déchiré, rompu ou mal en place. >>> *Nettoyez ou remplacez le joint. Tout joint endommagé/déchiré fait fonctionner le réfrigérateur pendant une période de temps plus longue afin de conserver la température actuelle.*

La température du congélateur est très basse alors que celle du réfrigérateur est correcte.

- La température du congélateur est réglée à une température très basse. >>> *Réglez la température du congélateur à un niveau supérieur et vérifiez.*

La température du réfrigérateur est très basse alors que celle du congélateur est correcte.

- La température du réfrigérateur est réglée à une température très basse. >>> *Réglez la température du réfrigérateur à un degré supérieur et vérifiez.*

Les denrées conservées dans les tiroirs du compartiment de réfrigération congèlent.

- La température du réfrigérateur est réglée à une température très basse. >>> *Réglez la température du réfrigérateur à un niveau inférieur et vérifiez.*

La température dans le réfrigérateur ou le congélateur est très élevée.

- La température du réfrigérateur est réglée à une température très basse. >>> *Le réglage du réfrigérateur a un effet sur la température du congélateur. Changez les températures du réfrigérateur ou congélateur et attendez jusqu'à ce que les compartiments atteignent une température suffisante.*
- Les portes ont peut être été ouvertes fréquemment ou laissées entrouvertes pendant une durée prolongée. >>> *N'ouvrez pas les portes fréquemment.*
- La porte est entrouverte. >>> *Refermez complètement la porte.*
- Le réfrigérateur a été branché ou rempli avec de la nourriture récemment. >>> *Ce phénomène est normal. Quand le réfrigérateur a été branché ou rempli avec de la nourriture récemment, il prend plus de temps pour atteindre la température réglée.*
- D'importantes quantités de denrées chaudes ont peut être été introduites dans le réfrigérateur récemment. >>> *Ne mettez pas de nourriture chaude dans le réfrigérateur.*

Vibrations ou bruits

- Le sol n'est pas plat ou stable. >>> *Si le réfrigérateur se balance quand il est déplacé lentement, équilibrez-le en ajustant ses pieds. Assurez-vous que le sol est plat et suffisamment solide pour supporter le réfrigérateur.*
- Les éléments placés sur le réfrigérateur peuvent faire du bruit. >>> *Enlevez les éléments du haut du réfrigérateur.*

Le réfrigérateur produit des bruits semblables à de l'eau qui coule ou à la pulvérisation d'un liquide.

i Des écoulements de gaz et de liquides se produisent dans le réfrigérateur, de par ses principes de fonctionnement. Cela est normal et n'est pas un défaut.

Un sifflement sort du réfrigérateur.

i Les ventilateurs sont utilisés pour refroidir le réfrigérateur. Cela est normal et n'est pas un défaut.

Condensation sur les parois intérieures du réfrigérateur.

- i** Un temps chaud et humide augmente la formation de givre et de condensation. Cela est normal et n'est pas un défaut.
- Les portes ont peut être été ouvertes fréquemment ou laissées entrouvertes pendant une durée prolongée. >>> *N'ouvrez pas les portes fréquemment. Fermez-les si elles sont ouvertes.*
- La porte est entrouverte. >>> *Refermez complètement la porte.*

De l'humidité est présente à l'extérieur ou entre les portes du réfrigérateur.

i Il y a peut être de l'humidité dans l'air ; ceci est tout à fait normal par un temps humide. Lorsque l'humidité diminuera, la condensation disparaîtra.

Présence d'une mauvaise odeur dans le réfrigérateur.

- Il n'y a pas de nettoyage régulier effectué. >>> *Nettoyez l'intérieur du réfrigérateur avec une éponge, de l'eau tiède ou du bicarbonate de soude dilué dans de l'eau.*
- Certains récipients ou matériaux d'emballage peuvent provoquer ces odeurs. >>> *Utilisez un autre récipient ou changez de marque de matériau d'emballage.*
- Les denrées sont mises au réfrigérateur dans des récipients sans couvercle. >>> *Conservez les denrées liquides dans des récipients fermés. Les micro-organismes issus de récipients non fermés peuvent dégager des odeurs désagréables.*

i Enlevez les aliments périmés et pourris du réfrigerateurs.

La porte ne se ferme pas.

- Des récipients empêchent la fermeture de la porte. >>> *Remplacez les emballages qui obstruent la porte.*
- Le réfrigérateur n'est pas complètement vertical sur le sol. >>> *Ajustez les pieds pour équilibrer le réfrigérateur.*
- Le sol n'est pas plat ou solide. >>> *Assurez-vous que le sol est plat et qu'il peut supporter le réfrigérateur.*

Les bacs à légumes sont coincés.

- Il se peut que les denrées touchent le plafond du tiroir. >>> *Disposez à nouveau les denrées dans le tiroir.*

لطفا این دفترچه راهنما را اول مطالعه کنید!

مشتری عزیز،




امیدواریم که دستگاه شما که در کارخانه های مدرن ساخته شده است و تحت دقیق ترین شرایط کنترل کیفیت آزمایش شده است به شما سرویس مؤثری را ارائه نماید.
بدین منظور، توصیه می کنیم که کل این دفترچه را قبل از استفاده از دستگاه با دقت بخوانید و آن را برای مراجعات بعدی در محلی نگهداری کنید.

این دفترچه راهنما

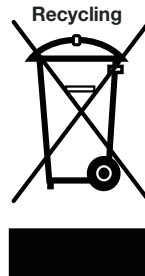
- به شما کمک خواهد کرد تا از دستگاه به سرعت و به صورت ایمن استفاده کنید.
 - این دفترچه راهنما را قبل از نصب و راه اندازی دستگاه مطالعه کنید.
 - دستورالعملها را دنبال کنید، خصوصا در مورد ایمنی.
 - این دفترچه راهنما را در محلی نگهداری کنید که دسترسی به آن آسان باشد چون ممکن است به آن نیاز داشته باشید.
 - بعلاوه، سایر اسناد ارائه شده با این دستگاه را هم مطالعه نمایید.
- لطفا دقت کنید که این دفترچه ممکن است برای مدل های دیگر هم قابل استفاده باشد.

علامت و شرح آنان

این دفترچه راهنما حاوی علائم زیر است:

-  اطلاعات مهم یا نکات مفید برای استفاده از دستگاه.
-  هشدار در مورد شرایط خطرناک برای جان افراد و خانه.
-  هشدار مربوط به ولتاژ برق

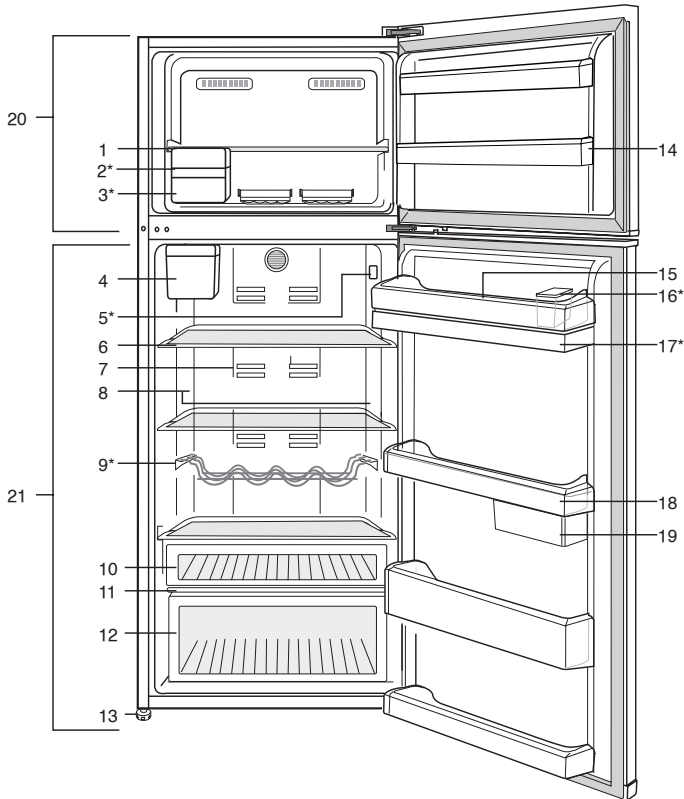
این دستگاه در بردارنده نماد طبقه بندی انتخابی برای اسراف تجهیزات الکتریکی و الکترونیکی می باشد (WEEE).
این بدین معنی است که این دستگاه برای بازیافت شدن یا نابود شدن بجهت حداقل اثر آن بر محیط زیست باید بر اساس راهنمای European Directive 2002/96/EC دنبال گردد. برای اطلاعات بیشتر، لطفا با مراکز مجاز یا محلی تماس بگیرید.



دستگاه های الکترونیکی که در پروسه طبقه بندی انتخابی قرار نمیگیرند بعلمت مواد خطرناک دارای پتانسیل خطرناکی برای سلامت محیط و انسان می باشند.

1 یخچال**3****4 آماده سازی****9****2 هشدارهای ایمنی مهم****4****5 استفاده از یخچال****10**

- استفاده مجاز 4
- در محصولاتی که دارای شیر آب می باشند؛ 6
- ایمنی کودکان 6
- هشدار HCA 6
- کارهایی که برای صرفه جویی انرژی باید انجام داد. 6
- 3 نصب**
- نکاتی که هنگام انتقال دوباره یخچال باید در نظر گرفته شود 7
- قبل از کار کردن با یخچال 7
- تنظیم پایه ها 8
- اتصالات برقی 8
- دور انداختن بسته بندی 8
- از رده خارج کردن ماشین قدیمی 8
- قرار دادن در محل و نصب 8
- پانل نشانگر 10
- اخطار باز بودن درب 13
- فریز کردن غذای تازه 14
- توصیه هایی برای نگهداری غذای فریز شده 15
- استقرار مواد غذایی 15
- اطلاعات فریز عمیق 16
- شرح و تمیز کردن فیلتر بو: 17
- نگهدارنده تخم مرغ 17
- توزیع کننده آب 18
- ظرف نگهداری چرخان 20
- آیسمتیک خودکار 21
- روشنایی آبی 21
- 6 نگهداری و تمیز کردن**
- حفاظت سطوح پلاستیکی 22
- 7 عیب یابی**
- 23**



- | | |
|--------------------------------|----------------------------------|
| 1. محفظه فریزر | 12. تاجیز بیسی راده گنل حمه |
| 2. راکو خک یتمیسیا | 13. میظننل باقی اها میا پ |
| 3. خچی راده گنل فرظ | 14. رزیر فیه مظفحم برد هقیبط |
| 4. کیتموتا زاسخوب آ ن زخم | 15. غرمختهدن راده گنک |
| 5. ترار ده جرد تبعضو رگنانشد | 16. با عیزو تریشدن در کر پین زخم |
| 6. میظننل باقی ایشیشدت اقیبط | 17. با آدننک عیزو تن زخم |
| 7. ویر تلیف | 18. ل اچخیه مظفحم برد تا قیبط |
| 8. ی پانشوری اهن نا | 19. ی یوشکو و ی شدرگه ریخذ فورظ |
| 9. یر طبه قیبط | 20. رزیر فیه مظفحم |
| 10. کنسنا شخید | 21. اچخیه مظفحم ل |
| 11. تاجیز بیسی راده گنل حمرواک | * اختیاری |

❗ اشکالی که در این راهنمای دستور العمل ترسیم شده اند ممکن است مطابق با دستگاه شما نباشند. اگر قطعات مورد مشاهده مشمول دستگاهی که شما خریده اید نمی باشد میتواند برای مدل های دیگر باشد.

مواد تبخیری یا تمیز کننده تبخیری هرگز نباید برای تمیز کردن و یخ زدایی فریزر استفاده گردند. در چنین مواردی، بخار گاز ممکن است با قطعات برقی تماس پیدا کند و موجب اتصال کوتاه و شوک الکتریکی گردد.

هرگز از قسمت های یخچال مثل درب بعنوان پشتیبان یا پله استفاده نکنید.

از وسایل برقی داخل یخچال استفاده نکنید.

قسمت هایی که در آن مواد سرد کننده در گردش است با دریل کردن یا ابزار برشی صدمه نزنید. ماده سرد کننده ای که ممکن است بهنگام صدمه خوردن به کاندل های گاز، امتداد لوله یا سطح پوششدار خارج شوند موجب صدمه زن پوست و لطمه به چشم ها گردند.

منافذ تهویه یخچال را با هیچ مانعی مسدود نکنید و نبوشید.

دستگاه های برقی فقط باید توسط افراد مجاز تعمیر شوند. تعمیرات توسط افراد فاقد صلاحیت ممکن است موجب ریسک شوک الکتریکی برای کاربر گردند.

در صورت هر گونه خرابی یا بهنگام کار های تعمیراتی برق یخچال را با کشیدن فیوز یا خارج کردن دوشاخه یخچال از برق شهر قطع نمایید.

هنگام کشیدن دوشاخه از پریز، کابل برق را نکشید. نوشیدنی را با درب کاملاً محکم بصورت عمودی قرار دهید.

هرگز قوطی های اسپری قابل اشتعال و مواد منفجره را در یخچال نگهداری نکنید.

از وسایل مکانیکی یا ابزار های دیگر برای تسریع یخ زدایی غیر از مواردی که کارخانه توصیه کرده است استفاده ننمایید.

این دستگاه برای استفاده شخصی که دارای وضعیت ضعیف جسمانی (شامل کودکان)، حساسیت و یا عقب ماندگی ذهنی و یا عدم داشتن تجربه و درک صحیح از آن هستند نمی باشد، مگر اینکه اینگونه اشخاص تحت آموزش و یا سرپرستی توسط افرادی که مسئولیت حفاظت از آنها را دارند در رابطه با این دستگاه قرار داشته باشند.

- لطفاً به اطلاعات زیر را مطالعه کنید. عدم رعایت این اطلاعات ممکن است باعث ایجاد جراحت یا آسیب های جدی شود. در نتیجه کلیه ضمانت و تعهدات باطل خواهند شد.
- عمر استفاده از دستگاه خریداری شده 10 سال می باشد.
- این مدت زمانی است که قطعات بدکی مورد نیاز دستگاه به شرح داده شده نگهداری خواهند شد.

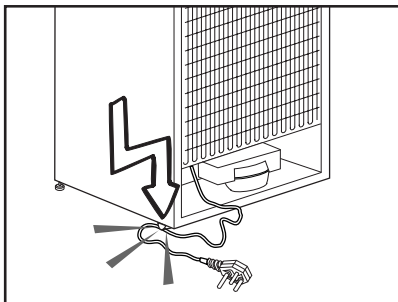
استفاده مجاز

- از دستگاه باید در این موارد استفاده شود:
- در فضاهای سرپوشیده و بسته مانند منزل؛
- در محیط های کاری بسته مانند فروشگاهها و دفاتر؛
- در مناطق سرپوشیده مانند خانه های روستایی، هتلها و پلسیونها.
- از این محصول در بیرون از خانه نباید استفاده کرد.

ایمنی عمومی

- اگر می خواهید این محصول را از رده خارج کنید، ما توصیه میکنیم بلحاظ کسب اطلاعات لازم با مقامات و سرویس مجاز مشورت نمایید.
- کلیه سوالات و مشکلات مربوط به یخچال خود را با سرویس مجاز در میان بگذارید. بدون اطلاع سرویس مجاز در مسائل یخچال مداخله نکنید و اجازه ندهید کسی در این موارد مداخله کند.
- در محصولاتی که دارای محفظه فریزر می باشند، بستنی قیفی و یا قالب های یخ را بمحض خارج کردن از محفظه فریزر نخورید! (این امر ممکن است روی لب های شما ایجاد سرمازدگی نماید.)
- در محصولاتی که دارای محفظه فریزر می باشند بطری و قوطی های نوشیدنی های مایع را در محفظه فریزر قرار ندهید. در غیر این صورت، ممکن است منفجر شوند.
- غذاهای فریز شده را با دست لمس نکنید، ممکن است به دست های شما بچسبند.
- قبل از تمیز کردن یا آب کردن یخ دستگاه دوشاخه را از پریز بیرون بکشید.

- یک یخچال صدمه دیده را راه اندازی نکنید. در صورتی که با مشکلی روبرو شدید با نماینده سرویس تماس بگیرید.
- ایمنی الکتریکی یخچال شما وقتی تضمین می گردد که سیم اتصال زمین منزل شما با استانداردهای معین تطابق داشته باشد.
- بخاطر ایمنی الکتریکی، قرار دادن دستگاه در معرض باران برف، آفتاب و باد خطرناک است.
- در صورتی که سیم برق صدمه دیده باشد با سرویس مجاز تماس بگیرید تا از بروز خطر جلوگیری کنید.
- هرگز دوشاخه یخچال را بهنگام نصب به پریز برق نزنید. در غیر این صورت، ریسک جانی یا صدمات جدی بنابراین خواهد داشت.
- این یخچال برای ذخیره مواد غذایی در نظر گرفته شده است. از دستگاه برای موارد دیگر نباید استفاده شود.
- برچسب مشخصات فنی دستگاه در داخلی یخچال روی دیواره سمت چپ قرار گرفته است.
- هرگز یخچال خود را به سیستمهای صرفه جویی برق وصل نکنید. این دستگاهها به یخچال صدمه می زنند.
- اگر چراغ آبی در یخچال روشن شده باشد، به لوازم چشمی به آن نگاه نکنید.
- برای دستگاههایی که به صورت دستی کنترل می شوند، حداقل 5 دقیقه بعد از قطع شدن برق صبر کنید و پس از آن دستگاه را روشن کنید.
- این دفترچه راهنما در صورتی که دستگاه به فرد دیگری داده شود باید به او تحویل داده شود.
- از آسیب رساندن به سیم برق هنگام انتقال دستگاه جلوگیری بعمل آورید. خم کردن کابل ممکن است باعث آتش سوزی شود. هرگز اشیاء سنگین را روی کابل برق قرار ندهید. با دستن خیس دوشاخه دستگاه را به پریز وصل نکنید.
- دوشاخه یخچال را در صورتی که پریز برق شل باشد یا خراب باشد به پریز وصل نکنید.
- به خاطر مسائل ایمنی آب نباید به طور مستقیم روی قطعات داخلی یا خارجی دستگاه پاشیده شود.
- مواد حاوی گازهای قابل اشتعال مانند گاز پروپان را در مجاورت دستگاه اسپری نکنید تا از خطر آتش سوزی و انفجار جلوگیری بعمل آورید.
- هرگز ظروف پر شده از آب را در بالای یخچال قرار ندهید در غیر این صورت برق گرفتگی یا آتش سوزی به وجود خواهد آمد.
- یخچال خود را بیش از حد پر نکنید. در صورتی که در یخچال بیش از حد مواد قرار دهید، مواد غذایی ممکن است سقوط کرده و به شما و یخچال به هنگام باز کردن در صدمه بزنند. هرگز اشیاء را در بالای یخچال قرار ندهید. این اشیاء ممکن است هنگام باز و بسته کردن در یخچال سقوط کنند.



- محصولاتی که نیاز به کنترل دقیق درجه حرارت دارند مانند واکسن، داروهای حساس به حرارت، مواد علمی و غیره را نباید در یخچال نگهداری کرد.
- اگر برای مدت طولانی از یخچال استفاده نمی کنید، دوشاخه آن را از پریز بیرون بکشید. اگر سیم برق آسیب دیده باشد، ممکن است باعث آتش سوزی شود.
- نوک دوشاخه باید به صورت منظم تمیز شود در غیر این صورت ممکن است باعث آتش سوزی شود.
- یخچال را می توانید در صورتی که پایه های قابل تنظیم روی کف زمین قرار نگرفته باشند، جابجا کنید. تنظیم کردن صحیح پایه های قابل تنظیم روی کف زمین می تواند از حرکت دستگاه جلوگیری بعمل آورد.
- هنگام حمل دستگاه، آن را از دسته درنگه ندارید. در غیر این صورت می شکنند.
- هنگامی که می خواهید دستگاه را در کنار یخچال یا فریزر دیگر قرار دهید، فاصله بین دستگاهها باید حداقل 8 سانتی متر باشد. در غیر این صورت، ممکن است روی دیواره های کناری دستگاه قطرات آب جمع شود.

در محصولاتی که دارای شیر آب می باشند؛

کارهایی که برای صرفه جویی انرژی باید انجام داد.

- در های یخچال را برای مدت طولانی باز نگذارید.
- مواد غذایی یا نوشیدنی داغ در یخچال نگذارید.
- یخچال را بیش از اندازه بارگیری نکنید بطوریکه از گردش هوای داخل آن جلوگیری شود.
- یخچال را در معرض اشعه مستقیم آفتاب یا در مجاورت وسایل گرمزا مثل اجاق یا ماشین ظرفشویی یا رادیاتور قرار ندهید.
- توجه کنید که مواد غذایی را در ظروف دربست نگهداری کنید.
- در محصولاتی که دارای بخش فریزر می باشند؛ هنگامی که طبقه یا کشوی فریزر را بردارید می توانید حداکثر مقدار مواد غذایی را در آن ذخیره کنید. مقدار انرژی مصرفی قید شده در یخچال شما بر اساس برداشتن طبقه یا کشوی فریزر و تحت حداکثر میزان بار تعیین شده است. استفاده از کشو یا طبقه بر اساس اندازه و شکل مواد غذایی که باید منجمد شود، خطری ندارد.
- آب کردن یخ مواد غذایی منجمد در بخش یخچال هم باعث صرفه جویی در مصرف انرژی شده و هم کیفیت مواد غذایی را حفظ می کند.

- فشار آب باید حداقل 1 بار باشد. فشار آب باید حداکثر 8 بار باشد.
- فقط از آب آشامیدنی استفاده کنید.

ایمنی کودکان

- اگر در دارای قفل باشد، کلید را باید از دسترس کودکان دور نگاه داشت.
- باید بر کار کودکان نظارت کرد تا یخچال را دستکاری نکنند.

هشدار HCA

اگر دستگاه شما حاوی ماده خنک کننده R600a می باشد موارد زیر را در نظر بگیرید:

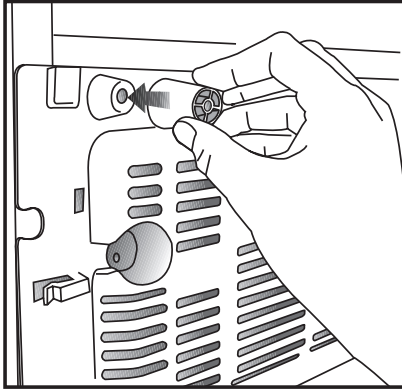
- این گاز قابل اشتعال است. بنابراین ، توجه داشته باشید که سیستم سرمایش و لوله ها در خلال استفاده و حمل و نقل صدمه نبینند. در صورت صدمه دیدن، دستگاه را در معرض آتش قرار ندهید ، دستگاه باید از منابع بالقوه آتشزا که موجب آتش گرفتن می شود دور باشد و هوای اتاقی که دستگاه در آن قرار دارد باید تهویه گردد.

در صورتی که دستگاه شما حاوی R134a است این

هشدار را نادیده بگیرید.

- نوع گاز استفاده شده در این دستگاه در پلاک مدل دستگاه که در داخل یخچال در دیوار سمت چپ قرار گرفته است، قید شده است.
- برای دفع دستگاه هرگز آن را در آتش نیاندازید.

2. می‌توانید 2 گوه پلاستیکی را به صورتی که در تصویر نمایش داده شده است نصب کنید. گوه های پلاستیکی فاصله لازم بین یخچال و دیوار را بوجود می‌آورند تا هوا بتواند گردش کند. (شکل نمایش داده شده فقط جهت مثال می‌باشد و با محصول شما دقیقاً مطابقت ندارد.)



3. داخل یخچال را به صورت توصیه شده در بخش "نگهداری و تمیز کردن" تمیز کنید.
4. دوشاخه یخچال را در پریز برق بزنید. وقتی که در یخچال باز میشود لامپ داخلی روشن خواهد گردید.
5. شما صداهایی را بهنگام کار کمپرسور خواهید شنید. گازها و مایعات درونی سیستم یخچال حتی اگر کمپرسور کار نکند ممکن است موجب نویز گردند که این امر کاملاً طبیعی است.
6. لبه های جلویی یخچال ممکن است گرم شوند. این امر نرمال است. این نواحی به منظور گرم شدن برای پرهیز از تراکم طراحی شده اند.

⚠ لطفاً بخاطر داشته باشید که اگر موارد مندرج در کتابچه راهنما رعایت نگردد کارخانه مسئول نخواهد بود.

نکاتی که هنگام انتقال دوباره یخچال باید در نظر گرفته شود

1. یخچال شما باید قبل از حمل و نقل، خالی و تمیز شده باشد.
 2. طبقات، متعلقات، محل نگهداری سبزیجات و غیره داخل یخچال شما برای جلوگیری از تکان خوردن باید با نوار چسب قبل از بسته بندی محکم بسته شوند.
 3. بسته بندی باید با نوار چسب کاغذی ضخیم و طناب محکم انجام پذیرد و مقررات مندرج در کتابچه راهنما رعایت شود.
- لطفاً موارد زیر را فراموش نکنید ...**
- هر مواد باز یافتی یک منبع ضروری برای طبیعت و منابع ملی ما است.
- اگر می‌خواهید در باز یافت مواد بسته بندی مشارکت کنید، می‌توانید اطلاعات بیشتری از مقامات محلی یا محیط زیست خود کسب کنید.

قبل از کار کردن با یخچال

- قبل از راه اندازی دستگاه برای استفاده موارد زیر را بررسی کنید:
1. آیا داخل یخچال خشک است و هوا می‌تواند آزادانه در پشت آن به گردش درآید؟

اتصالات برقی

دستگاه را با یک پریز ارت دار که توسط یک فیوز حفاظت شده است و دارای ظرفیت مناسب است به برق وصل کنید.

- اتصال باید مطابق مقررات کشوری باشد.
- دوشاخه برق باید بعد از نصب به آسانی در دسترس باشد.
- ولتاژ تعیین شده باید برابر با ولتاژ برق منزل باشد.
- از کابل‌های اتصال و دوشاخه‌های چند راهه نباید برای اتصال استفاده کرد.

⚠ یک کابل برق صدمه دیده را باید یک برق کار مجاز تعویض نماید.

⚠ این محصول را نباید قبل از تعمیر کردن بکار انداخت! خطر برق گرفتگی وجود دارد!

دور انداختن بسته بندی

مواد بسته بندی ممکن است برای بچه ها خطرناک باشد. مواد بسته بندی را دور از دسترس کودکان نگه داری کنید یا آنها را با طبقه بندی کردن بر اساس دستورالعمل دفع زباله دور بیندازید. این مواد را مانند زباله خانگی دور نیندازید. بسته بندی یخچال شما از مواد قابل بازیافت تولید شده است.

از رده خارج کردن ماشین قدیمی

یخچال خود را بدون صدمه رساندن به محیط زیست دور بیندازید.

- می‌توانید با فروشنده مجاز دستگاه یا مرکز جمع آوری زباله شهرداری خود در مورد دور انداختن یخچال تماس بگیرید.

قبل از دور انداختن یخچال، دوشاخه برق را بچینید و اگر روی در قفل وجود دارد آن را از کار بیندازید تا از کودکان در برابر هر گونه خطری حفاظت کنید.

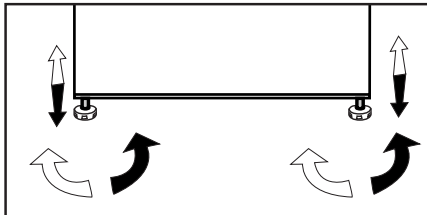
قرار دادن در محل و نصب

⚠ اگر درب ورودی اتاقی که میخواهید یخچال را در آن قرار دهید به اندازه کافی عریض نیست تا یخچال از آن عبور کند، از سرویس مجاز بخواهید که درب ها را از یخچال شما باز کند و یکطرفه از میان درب آن را عبور دهد.

1. یخچال را در محلی قرار دهید که براحتی بتوانید از آن استفاده کنید.
2. یخچال را دور از منابع گرما، محل های مرطوب و اشعه مستقیم آفتاب قرار دهید.
3. برای عملکرد موثر یخچال، تهویه کافی و مناسب باید در اطراف یخچال در نظر گرفته شود. اگر یخچال در فرورفتگی دیوار قرار میگیرد، حداقل 5 سانتیمتر فاصله از سقف و 5 سانتیمتر از دیوار باید در نظر گرفته شود. اگر کف محل با فرش یا موکت پوشیده شده است، دستگاه باید با فاصله 2.5 سانتیمتر از کف بالانس گردد.
4. یخچال را برای پرهیز از تکان خوردن در سطح هموار قرار دهید.
5. یخچال را در دمای محیط زیر 10 درجه سانتیگراد قرار ندهید.

تنظیم پایه ها

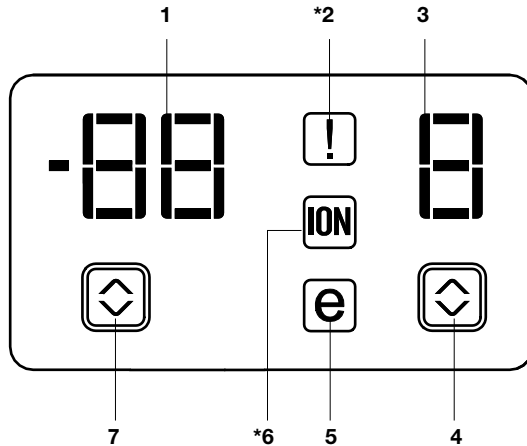
اگر یخچال شما بالانس نیست: شما میتوانید یخچال را با چرخاندن پایه های جلویی به گونه ای که در شکل نشان داده شده است بالانس کنید. هنگامی پایه پایین میاید که آن را در جهت پیکان سیاه بچرخانید و هنگامی بلند میشود که در جهت عکس آن را بچرخانید. گرفتن کمک از شخصی که کمی یخچال را بلند کند این کار را تسهیل میکند.



- i** یخچال شما باید در محلی با حداقل 30 سانتیمتر فاصله از منابع گرمازا مثل بخاری دیواری، اجاق، شوفاژ و فر و با 5 سانتیمتر فاصله از اجاق های برقی نصب گردد و نباید در معرض مستقیم اشعه آفتاب قرار گیرد.
- i** دمای محیط اتاق که یخچال در آن قرار گرفته است باید حداقل 10 درجه سانتیگراد باشد. راه اندازی یخچال در شرایط محیطی سردتر از این با توجه به راندمان یخچال توصیه نمی گردد.
- i** لطفا مطمئن شوید که داخل یخچال شما کاملا تمیز می باشد.
- i** اگر دو یخچال کنار یکدیگر قرار می گیرند باید حداقل 2 سانتیمتر از هم دیگر فاصله داشته باشند.
- i** وقتی که یخچال برای بار اول راه اندازی می شود، لطفا موارد زیر را در خلال کارکرد شش ساعت اول رعایت نمایید.
 - درب نباید متناوبا باز گردد.
 - باید بدون قرار دادن مواد غذایی و خالی کار کند.
 - یخچال را بیش از حد بارگیری نکنید. اگر برق قطع گردید، لطفا به قسمت اخطارها " کارهایی که باید قبل از فراخواندن سرویس مجاز انجام دهید" مراجعه کنید.
- i** بسته بندی اصلی و مواد فومی باید برای حمل و نقل یا جابجایی آتی نگهداری گردد.

پانلهای نشانگر ممکن است بر حسب مدل متفاوت باشند.

پانل علائم با استفاده از عملکردهای صوتی و دیداری به شما در استفاده از یخچال کمک می کند.



1. نشاندهنده دمای محفظه فریزر

2. نشاندهنده وضعیت خطا

3. نشاندهنده دمای محفظه یخچال

4. دکمه تنظیم درجه حرارت محفظه یخچال

5. نشاندهنده حالت اقتصادی

6. نشانگر یون ساز

7. دکمه تنظیم درجه حرارت محفظه فریزر

1. نشاندهنده دمای محفظه فریزر

این نشان میدهد که دما برای محفظه فریزر تنظیم می باشد.

2. نشاندهنده وضعیت خطا

اگر یخچال به اندازه کافی خنک نشود یا اگر حسگر خراب شود این نشانگر فعال خواهد شد. هنگامی که این نشانگر فعال باشد، نشانگر درجه حرارت بخش فریزر "e" را نمایش خواهد داد و نشانگر درجه حرارت بخش یخچال اعدادی مانند "1,2,3..." را نمایش خواهد داد. این اعداد در نشانگر اطلاعاتی در مورد خطایی که رخ داده است را به پرسنل سرویس ارائه خواهد نمود.

3. نشاندهنده دمای محفظه یخچال

این نشان میدهد که دما برای محفظه یخچال تنظیم شده است.

4. دکمه تنظیم درجه حرارت محفظه یخچال

این دکمه را به ترتیب برای تنظیم درجه حرارت محفظه یخچال به ترتیب در درجه حرارت های 8، 6، 4، 2، 8، ... فشار دهید. این دکمه را فشار دهید تا درجه حرارت دلخواه بخش یخچال را انتخاب کنید.

5. نشاندهنده حالت اقتصادی

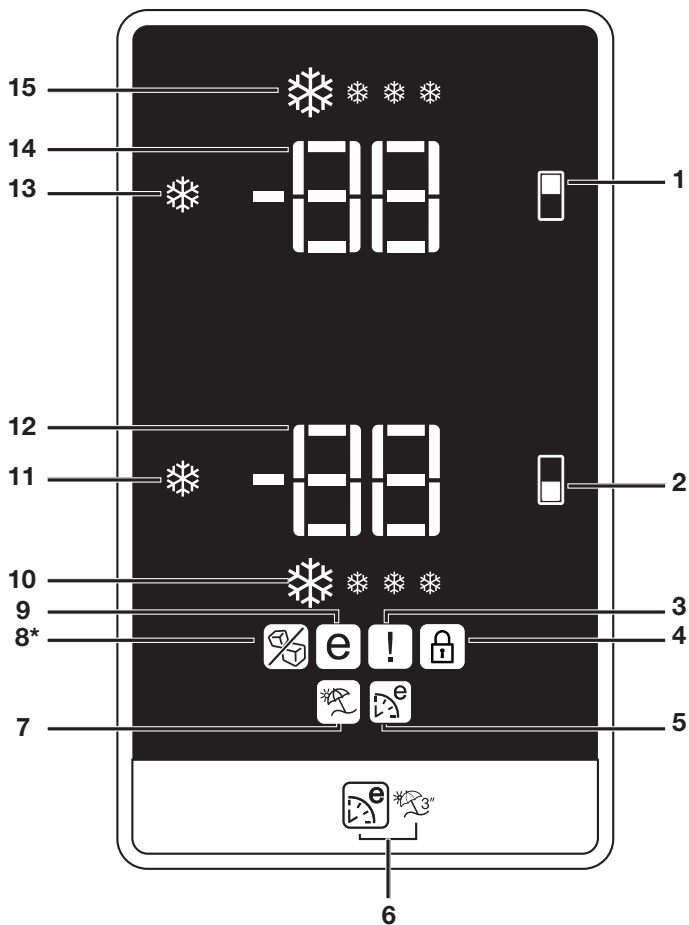
نشاندهنده این است که یخچال در حالت صرفه جویی انرژی در حال کار است.

6. نشانگر یون ساز

چراغ نشانگر بطور دائم روشن می ماند. این چراغ نشان میدهد که یخچال شما در مقابل باکتری محافظت میگردد.

7. دکمه تنظیم درجه حرارت محفظه فریزر

این دکمه را به ترتیب برای تنظیم درجه حرارت محفظه فریزر در درجه حرارت های 18، -20، -22 و -24، ... فشار دهید. این دکمه را فشار دهید تا درجه حرارت دلخواه بخش فریزر را انتخاب کنید.



- | | |
|---|--|
| <p>15. نشانگر استفاده اقتصادی</p> <p>14. نشاندهنده عملکرد یخچال سریع</p> <p>13. عملکرد سرد کردن سریع یخچال</p> <p>12. نشانگر تنظیم دمای محفظه یخچال</p> <p>11. دکمه عملکرد فریز سریع</p> <p>10. نشانگر تنظیم دمای محفظه فریزر</p> <p>9. نشانگر عملکرد اقتصادی</p> | <p>1. تنظیم بخش فریزر / دکمه روشن خاموش کردن یخ ساز</p> <p>2. دکمه تنظیم محفظه یخچال</p> <p>3. نشاندهنده وضعیت خطا</p> <p>4. نشاندهنده قفل کلید</p> <p>5. نشاندهنده عملکرد اکستر اکو</p> <p>6. دکمه اکو استرا / تعطیلات</p> <p>7. نشانگر عملکرد تعطیلات</p> <p>8. نشانگر خاموش بودن یخ ساز (*در برخی از مدلها)</p> |
|---|--|

1. تنظیم بخش فریزر/دکمه روشن خاموش کردن یخ ساز

این عملکرد به شما اجازه می دهد تا درجه حرارت محفظه فریزر را تنظیم کنید. این دکمه را به ترتیب برای تنظیم درجه حرارت محفظه فریزر در درجه حرارت های 18-، 20-، 22- و 24- فشار دهید.

جهت توقف از ساخته شده یخ، دکمه یخ ساز برای 3 ثانیه فشار داده شود. جریان آب از مخزن آب هنگامی که این عملکرد انتخاب شود متوقف می گردد. با این وجود، یخی که قبلا ساخته شده است را می توان از توزیع کننده دریافت کرد. جهت شروع مجدد ساخته شدن یخ، دکمه یخ ساز برای 3 ثانیه فشار داده شود.

2. دکمه تنظیم درجه حرارت محفظه یخچال

این عملکرد به شما اجازه می دهد تا درجه حرارت محفظه یخچال را تنظیم کنید. این دکمه را به ترتیب برای تنظیم درجه حرارت محفظه یخچال در درجه حرارت های 8، 6، 4 و 2 فشار دهید.

3. نشاندهنده وضعیت خطا

اگر یخچال به اندازه کافی خنک نشود یا اگر حسگر خراب شود این نشانگر فعال خواهد شد. هنگامی که این نشانگر فعال باشد، نشانگر درجه حرارت بخش فریزر "E" را نمایش خواهد داد و نشانگر درجه حرارت بخش یخچال اعدادی مانند "1,2,3..." را نمایش خواهد داد. این اعداد در نشانگر اطلاعاتی در مورد خطایی که رخ داده است را به پرسنل سرویس ارائه خواهد نمود.

هنگامی که غذای داغ را در بخش فریزر قرار می دهید یا در را برای مدت طولانی باز بگذارید، علامت تعجب برای مدتی روشن خواهد شد. این نشانه خرابی نیست؛ این هشدار هنگامی که مواد غذایی خنک شوند محو می گردد.

4. نشاندهنده قفل کلید

از این عملکرد هنگامی استفاده کنید که نمی خواهید تنظیم درجه حرارت یخچال تغییر داده شود. دکمه تنظیم درجه حرارت بخش یخچال و دکمه تنظیم درجه حرارت بخش فریزر را همزمان به مدت طولانی (3 ثانیه) فشار دهید تا این ویژگی فعال شود.

5. نشاندهنده عملکرد اکسترا اکو

این نشانگر فعال بودن عملکرد اکسترا اکو را نشان می دهد.

اگر این عملکرد فعال باشد، یخچال شما به صورت اتوماتیک آخرین دوره استفاده را شناسایی خواهد کرد و خنک کنندگی با صرفه جویی در انرژی در این زمانها انجام داده خواهد شد. نشانگر اقتصادی هنگام اجرای خنک کنندگی با صرفه جویی در انرژی فعال خواهد شد. دکمه مربوطه را مجدداً فشار دهید تا عملکرد انتخاب شده غیر فعال شود.

6. دکمه اکو اکسترا/تعطیلات

دکمه Eco Extra را برای مدت کوتاه جهت فعال کردن عملکرد فشار دهید. این دکمه را برای 3 ثانیه فشار دهید و ننگه دارید تا عملکرد تعطیلات فعال شود. این دکمه را مجدداً فشار دهید تا عملکرد انتخاب شده غیر فعال شود.

7. نشانگر عملکرد تعطیلات

این نشانگر فعال بودن عملکرد تعطیلات را نشان می دهد. اگر این عملکرد فعال باشد، "- -" در بخش نشانگر یخچال نمایش داده می شود و هیچ نوع خنک کنندگی در بخش یخچال انجام داده نخواهد شد. سایر بخشها مطابق درجه حرارتی که برای آنان تنظیم شده است کار خواهند کرد.

دکمه مربوطه را مجدداً فشار دهید تا عملکرد انتخاب شده غیر فعال شود.

8. نشاندهنده خاموش بودن یخ

ایستیمتیک تا زمانی که این نشانگر فعال باشد کار نخواهد کرد. به مورد 1 برای فعال کردن ایستیمتیک مراجعه کنید.

9. نشاندهنده حالت اقتصادی

نشاندهنده این است که یخچال در حالت صرفه جویی انرژی در حال کار است. درجه حرارت محفظه فریزر این نشانگر در صورتی فعال خواهد بود که این عملکرد روی 18- یا روی خنک کنندگی با صرفه جویی در انرژی به خاطر فعال بودن عملکرد اکو اکسترا تنظیم شده باشد.

10. نشاندهنده سرد کردن سریع

این آیکون به صورت متحرک هنگامی که عملکرد سرد کردن سریع فعال است چشمک خواهد زد.

11. عملکرد سرد کردن سریع

وقتی که دکمه Quick Fridge (یخچال سریع) را فشار میدهید، دمای محفظه سردتر از مقادیر تنظیم شده خواهد شد.

این عملکرد میتواند برای گذاشتن مواد غذایی در محفظه یخچال و نیاز به سرد شدن سریع آنها مورد استفاده قرار گیرد.

اگر بخواهید مقدار زیادی از مواد تازه را خنک کنید، توصیه می شود که این ویژگی را قبل از قرار دادن مواد در درون یخچال فعال کنید.

نشانگر خنک سریع هنگامی که عملکرد خنک کردن سریع روشن باشد، روشن می شود. برای لغو کردن این عملکرد دکمه خنک کردن سریع را دوباره فشار دهید.

اگر آن را لغو نکنید، سرد کردن سریع بعد از 4 ساعت یا هنگامی که محفظه یخچال به درجه حرارت دلخواه رسید به طور اتوماتیک خود را خاموش می کند.

این عملکرد هنگامی که برق دستگاه بعد از قطع برق مجددا وصل شود مجددا شروع به کار خواهد کرد.

12. نشاندهنده دمای محفظه یخچال

این نشان میدهد که دما برای محفظه یخچال تنظیم می باشد.

13. نشاندهنده دمای محفظه فریزر

این نشان میدهد که دما برای محفظه فریزر تنظیم می باشد.

14. عملکرد فریز کردن سریع

نشانگر فریز کردن سریع هنگامی که عملکرد فریز سریع روشن باشد، روشن می شود. برای لغو کردن این عملکرد دکمه فریز کردن سریع را دوباره فشار دهید. نشاندهنده فریز سریع خاموش خواهد شد و به تنظیمات نرمال برمی گردد. اگر آن را لغو نکنید، فریز کردن سریع بعد از 8 ساعت یا هنگامی که محفظه فریزر به درجه حرارت دلخواه رسید به طور اتوماتیک خود را خاموش می کند.

اگر میخواهید حجم زیادی از مواد غذایی تازه را فریز کنید، دکمه انجماد سریع را قبل از گذاشتن مواد غذایی در محفظه فریزر فشار دهید.

اگر دکمه فریز سریع را مکررا در فواصل کوتاه فشار دهید، حفاظت مدار الکترونیکی فعال می شود و کمپرسور فوراً بکار نخواهد افتاد.

این عملکرد هنگامی که برق دستگاه بعد از قطع برق مجددا وصل شود مجددا شروع به کار خواهد کرد.

15. نشاندهنده فریز کردن سریع

این آیکون به صورت متحرک هنگامی که عملکرد فریز سریع فعال است چشمک خواهد زد.

اخطار باز بودن درب

(این ویژگی ممکن است بر حسب در محصول متفاوت باشد و ممکن است در برخی از مدلها وجود نداشته باشد.)

یک صدای هشدار هنگامی که در دستگاه باز مانده باشد برای حداقل ۱ دقیقه پخش خواهد شد. این هشدار هنگامی که در بسته شود یا یکی از دکمه های صفحه نمایش (در صورت وجود) فشار داده شود، قطع خواهد شد.

فریز کردن غذای تازه

- مواد غذایی فریز شده باید فوری بعد از آب شدن آنها مصرف شوند و هرگز نباید دوباره فریز شوند.
- لطفا دستور العمل های زیر را برای کسب بهترین نتیجه رعایت کنید.
- 1. مقادیر زیاد غذا را در یک زمان فریز نکنید. نگهداشتن بهترین کیفیت غذا وقتی میسر است که بسرت تا عمق آن فریز شود.
- 2. * قرار دادن غذای گرم در محفظه فریزر باعث میشود تا سیستم خنک کننده بطور مستمر کار کند تا غذا منجمد شود.
- 3. بخصوص مراقب باشید که غذای فریز شده با غذای تازه مخلوط نگردد.
- مواد غذایی که بر ای بسته بندی استفاده میشود باید از جنس محکم و در مقابل سرما، رطوبت، بو، روغن و اسیدها مقاوم باشند و هوا بندی را ممکن سازند.. بعلاوه آنها باید خوب بسته شوند و از موادی که راحت استفاده میشوند تهیه گردند بطوریکه برای استفاده فریز کردن عمقی مناسب باشند.
- موادی که بر ای بسته بندی استفاده میشود باید از جنس محکم و در مقابل سرما، رطوبت، بو، روغن و اسیدها مقاوم باشند و هوا بندی را ممکن سازند.. بعلاوه آنها باید خوب بسته شوند و از موادی که راحت استفاده میشوند تهیه گردند بطوریکه برای استفاده فریز کردن عمقی مناسب باشند.

توضیحات	تنظیم بخش یخچال	تنظیم بخش فریزر
این تنظیمات نرمال توصیه شده است.	۴ درجه سانتی گراد	۱۸- درجه سانتی گراد
این تنظیمات وقتی توصیه می گردد که درجه دمای محیط بیش از ۳۰ درجه سانتیگراد باشد.	۴ درجه سانتی گراد	۲۰- ، ۲۲- یا ۲۴- درجه سانتیگراد
وقتی میخواهید مواد غذایی خود را در یک زمان کوتاه استفاده کنید از این تنظیم استفاده کنید. یخچال شما بعد از اینکه اینکار را انجام دادید به حالت قبلی بازمیگردد.	۴ درجه سانتی گراد	اریز سریع
اگر فکر میکنید که محفظه یخچال شما به اندازه کافی بعلت شرایط گرما سرد نیست یا درب متناوب باز و بسته شده است.	۲ درجه سانتی گراد	۱۸- درجه سانتیگراد یا سردتر
میتوانید از این استفاده کنید وقتیکه محفظه یخچال بیش از حد بارگیری شده یا میخواهید به سرعت مواد غذایی را سرد کنید. توصیه می شود که عملکرد خنک کنندگی سریع را ۱-۸ ساعت قبل از قرار دادن ماده غذایی فعال کنید.	سرد شدن سریع	۱۸- درجه سانتیگراد یا سردتر

توصیه هایی برای نگهداری غذای فریز شده.

استقرار مواد غذایی

- غذاهای از قبل بسته بندی شده تجارتي باید بر اساس دستورالعمل های کارخانه برای یک ******* (4 ستاره) در محفظه نگهداری مواد غذایی نگهداری گردند.
 - به منظور حصول اطمینان از کیفیت بالای مواد فریز شده کارخانه ای و حفظ کیفیت خرده فروشان مواد غذایی، موارد زیر باید رعایت گردد:
 1. بعد از خرید هر چه سریعتر بسته های غذا را در فریزر قرار دهید.
 2. مطمئن شوید که محتویات بسته دارای برچسب و تاریخ باشد.
 3. از تاریخ " استفاده تا" یا " بهترین مصرف قبل از " روی بسته بیشتر استفاده نکنید.
- دیفراست کردن**
محفظه فریزر بصورت اتوماتیک دیفراست می شود.

طبقات محفظه فریزر	غذاهای مختلف فریز شده مثل گوشت، ماهی، بستنی، سبزیجات و غیره.
نگهدارنده تخم مرغ	تخم مرغ
طبقات محفظه یخچال	مواد غذایی در قابلمه ها، سینی ها و ظروف دربسته
طبقات درب محفظه یخچال	مواد غذایی کوچک و بسته بندی شده شده یا نوشیدنی ها(مثل شیر، آب میوه و غیره)
محل نگهداری سبزیجات	سبزیجات و میوه ها
محفظه نگهداری مواد تازه	محصولات غذایی حاضری (پنیر، کره، سالامی و غیره)

اطلاعات فریز عمیق

⚠️ اخطار!

- مواد غذایی باید بر اساس استفاده روزانه خانواده و یا بر مصرف پایه وعده غذایی تقسیم گردد.
- مواد غذایی باید بسته بندی و هوا بندی گردد بگونه ای که از خشک شدن آن جلوگیری شود حتی اگر برای یک مدت کوتاه نگهداری میشوند.
- مواد ضروری برای بسته بندی:
 - نوار چسب مقاوم در مقابل سرما
 - برچسب خود چسب
 - کشهای حلقه ای لاستیکی
 - خودکار
- موادی که برای بسته بندی مواد غذایی استفاده میشود باید از جنس محکم و در مقابل سرما، رطوبت، بو، روغن و اسیدها مقاوم باشند.
- مواد غذایی را که قرار است فریز شوند نباید در تماس با اقلام فریز شده قبلی قرار داد تا از آب شدن بخشی از یخ آنها جلوگیری گردد.
- مواد غذایی فریز شده باید فوری بعد از آب شدن آنها مصرف شوند و هرگز نباید دوباره فریز شوند.

و تیکه مواد غذایی در یخچال برای حفظ کیفیت نگهداری میشوند باید سرعت فریز شوند .

استاندارد TSE (بر اساس شرایط اندازه گیری معین) ملزم مینماید که یخچال حداقل 5/4 کیلوگرم غذا را در دمای محیطی 32 درجه سانتیگراد تا میزان -18 درجه سانتی گراد در 24 ساعت در هر 100 لیتر حجم فریزر را فریز نماید.

امکان اینکه مواد غذایی را برای یک مدت طولانی تر نگه داشت فقط در -18 درجه سانتیگراد یا دمای پایین تر وجود دارد.

شما میتوانید تازگی مواد غذایی را برای ماه ها حفظ کنید) در دمای -18 یا دمای پایین تر در وضعیت فریز عمیق)

شرح و تمیز کردن فیلتر بو:

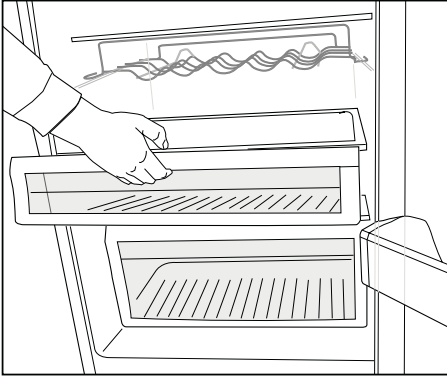
بخش اسنک



فیلتر بو از جمع شدن بو در یخچال شما جلوگیری به عمل می آورد.

قابلی که فیلتر درون آن قرار گرفته است را به صورتی که در تصویر نمایش داده شده است به پایین بکشید. فیلتر را برای یک روز زیر نور خورشید قرار دهید. فیلتر در این مدت تمیز خواهد شد. فیلتر را دوباره در محل خود نصب کنید.

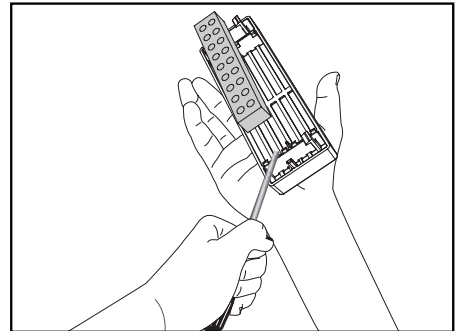
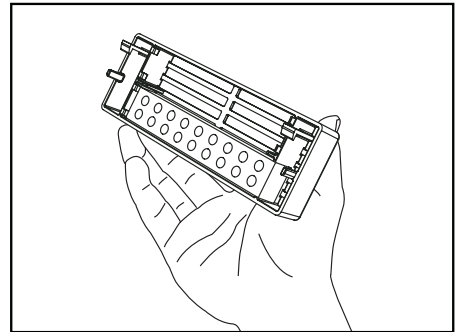
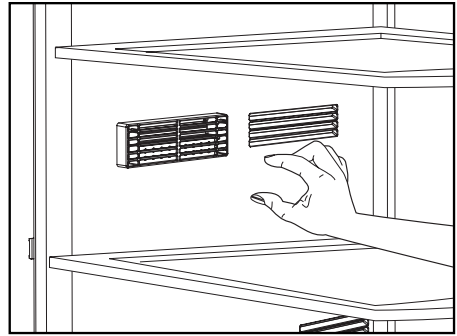
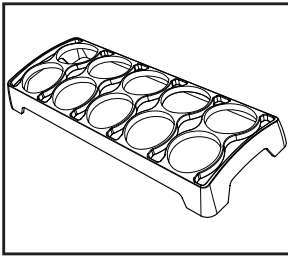
فیلتر بو باید سالی یکبار تمیز شود.



نگهدارنده تخم مرغ

شما میتوانید نگهدارنده تخم مرغ را به درب مورد نظر یا بدنه طبقه نصب کنید.

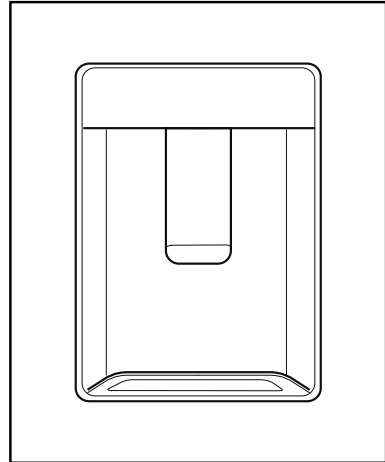
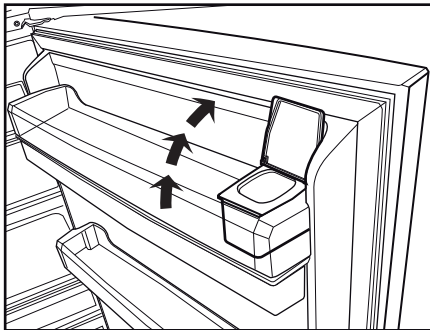
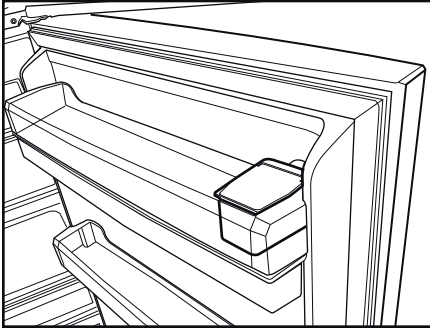
هرگز نگهدارنده تخم مرغ را در محفظه فریزر نگاه ندارید.



توزیع کننده آب

(در برخی از مدلها)

توزیع کننده آب یک ویژگی بسیار قابل استفاده برای برداشتن آب خنک بدون نیاز به یخچال می باشد. چون لزومی ندارد که در یخچال مکررا باز شود، در مصرف انرژی صرفه جویی خواهد شد.



استفاده از توزیع کننده آب

اهرم توزیع کننده آب را با لیوان فشار دهید. توزیع کننده آب هنگامی که اهرم رها شود، دیگر کار نخواهد کرد. هنگامی که توزیع کننده آب کار می کند، حداکثر جریان آب را می توانید با فشار دادن کامل اهرم بدست آورید. لطفا بیاد داشته باشید که مقدار جریان آب از توزیع کننده به مقداری که اهرم را فشار می دهید، بستگی دارد.

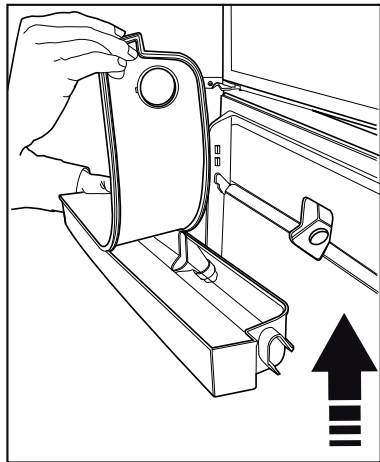
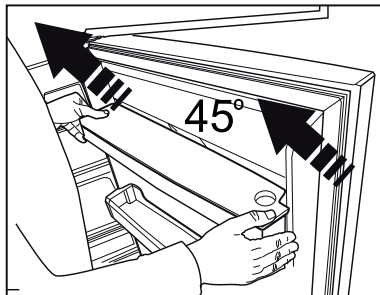
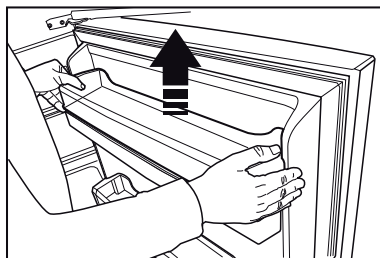
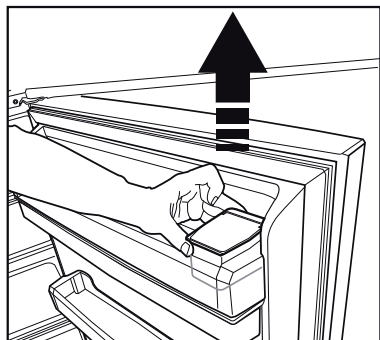
هنگام بالا آمدن آب در لیوان/ظرف، فشار روی اهرم را کاهش دهید تا از ریخته شدن آب جلوگیری بعمل آورید. اگر اندکی اهرم را فشار دهید، آب ریخته خواهد شد؛ این کار عادی است و عیب دستگاه محسوب نمی شود.

پر کردن منبع توزیع کننده آب

محل پر کردن مخزن آب در داخل قفسه در قرار دارد. روکش منبع را باز کنید و در آن آب آشامیدنی بریزید. پس از آن در را ببندید.

اخطار!

- مخزن آب را با مایعاتی دیگر مانند آب میوه، نوشابه های گاز دارد یا نوشیدنیهای الکلی پر نکنید چون برای استفاده در توزیع کننده آب مناسب نمی باشند. توزیع کننده آب در صورتی که از این مایعات استفاده شود به طور کامل صدمه خواهد دید. ضمانت چنین مواردی را پوشش نخواهد داد. برخی از مواد شیمیایی و مواد افزودنی در این نوع نوشیدنیها/مایعات به مخزن آب آسیب خواهد رساند.



- فقط از آب نوشیدنی خالص استفاده کنید.
 - ظرفیت مخزن آب 3 لیتر می باشد. بیش از حد در آن آب نریزید.
 - اهرم توزیع کننده آب را با یک لیوان محکم فشار دهید. اگر از لیوانهای یکبار مصرف پلاستیکی استفاده می کنید، اهرم را با انگشتان خود از پشت لیوان فشار دهید.
- تمیز کردن مخزن**
- مخزن آب داخل قفسه در را بردارید.
 - قفسه در را با نگاه داشتن هر دو طرف جدا کنید.
 - مخزن آب را از هر دو طرف بگیرید و آن را با زاویه 45 درجه جدا کنید.
 - مخزن آب را با برداشتن در تمیز کنید.

مهم:

قطعات منبع آب و توزیع کننده آب را نباید در ماشین ظرف شویی قرار دهید.

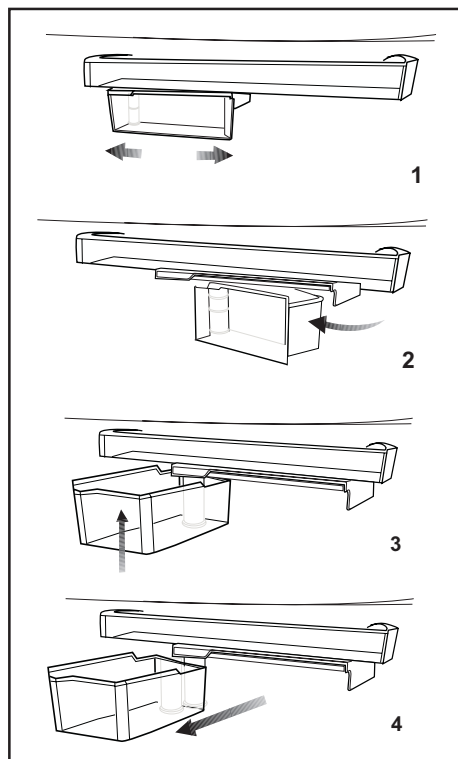
ظرف نگهداری چرخان

(در برخی از مدلها)

طبقه کشویی درون بدنه را می توان به چپ یا راست حرکت داد تا بتوانید بطریهای بلند، پارچ یا جعبه را در طبقه پایین بگذارید (شکل 1)

می توانید با گرفتن و چرخاندن از طرف لبه سمت راست به مواد غذایی که در طبقه قرار داده اید دسترسی پیدا کنید (شکل 2).

هنگامی که بخواهید در قفسه چیزی قرار دهید یا آن را برای تمیز کردن باز کنید، آن را 90 درجه بچرخانید، بلند کنید و به طرف خود بکشید (شکل 3-4).



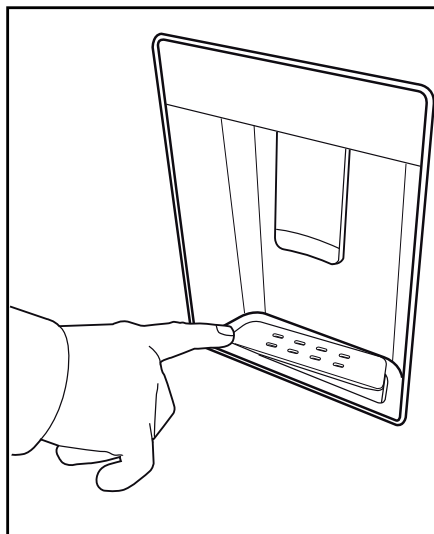
سینی آب

وقتی که آب بهنگام استفاده از توزیع کننده آب چکه میکند در سینی چکان جمع میشود.

توری پلاستیکی را به صورتی که در تصویر نشان داده شده است، بیرون بکشید.

با یک پارچه تمیز و خشک آبی که جمع آوری شده است را بردارید.

احتیاط: فقط به لوله آب آشامیدنی وصل کنید.



آیسمتیک خودکار

(در برخی از مدلها)

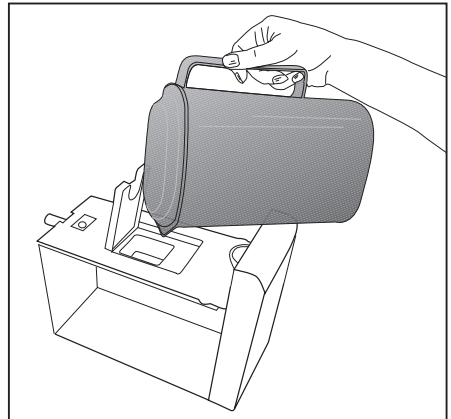
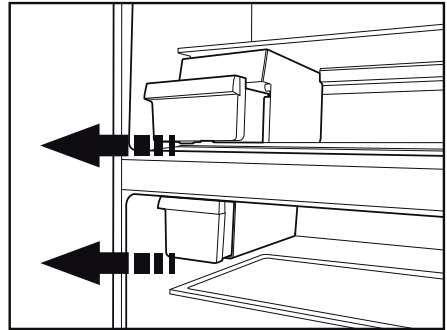
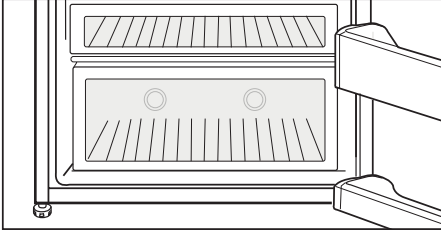
سیستم آیسمتیک به شما اجازه می دهد از یخچال به راحتی یخ تهیه کنید. مخزن آب در بخش یخچال را بیرون بیاورید، آن را با آب پر کردن و در جای خود قرار دهید تا بتوانید از آیسمتیک یخ به دست آورید.

اولین تکه های یخ پس از 2 ساعت در گشوی آیسمتیک که زیر محفظه فریزر قرار دارد آماده خواهد شد. اگر مخزن آب را کامل پر کنید، خواهید توانست 60 تا 70 تکه یخ به دست آورید. آب درون مخزن را در صورتی که بین 2 تا 3 هفته مانده باشد، عوض کنید.

روشنایی آبی

(در برخی از مدلها)

مواد غذایی نگهداری شده در محل نگهداری سبزیجات با روشنایی نور آبی به عمل فتوسنتز با طول موج موثر نور آبی ادامه می یابد و بنابراین محتویات درونی این محل تازه و ویتامین های مربوطه افزایش می یابند.



حفاظت سطوح پلاستیکی

- روغن های مایع یا غذاهای روغن دار پخته شده را در یخچال در ظروف غیر آب بندی شده نگذارید چرا که آنها به سطوح پلاستیکی یخچال صدمه میزنند. در صورت ترشح یا الودگی روغن روی سطوح پلاستیکی، آن قسمت را فوری با یک تکه پارچه آغشته به آب گرم پاک کنید.

△ هرگز از بنزین یا مواد مشابه آن برای تمیز کردن استفاده نکنید.

△ توصیه می کنیم که دوشاخه دستگاه را قبل از تمیز کردن از پریز بیرون بکشید.

① هرگز برای تمیز کردن یخچال از ابزار تیز یا مواد خشن، تمیز کننده خانگی و واکس پولیش استفاده نکنید.

① از آب گرم برای تمیز کردن کابینت دستگاه استفاده کرده و بعد خشک کنید.

① با استفاده از یک پارچه که آغشته به محلولی که با مقدار یک قاشق چایخوری در یک پاینت آب تهیه شده است برای پاک کردن داخل یخچال استفاده کنید و بعد آن را خشک کنید.

△ مطمئن شوید که آب داخل محفظه لامپ و سایر اقلام الکتریکی نگردد.

△ اگر از یخچال برای مدت طولانی استفاده نمیکنید، دوشاخه آن را از برق بکشید و کلیه مواد غذایی را از آن خارج کرده و درب آن را نیمه باز رها کنید.

① واشر آب بندی دور درب را مرتباً برای تمیز بودن و عاری بودن از بقایای غذا چک کنید.

① برای برداشتن سینی های درب، تمام محتویات را بردارید و سپس به آرامی سینی درب را از پایه به سمت بالا ببرید.

لطفا این لیست را قبل از فراخواندن سرویسکار بررسی کنید. ممکن است در زمان و هزینه صرفه جویی کند. این لیست شامل شکایات متداول است که ناشی از عملکرد یا استفاده ناقص از دستگاه می باشد. برخی از ویژگیهای شرح داده شده ممکن است در دستگاه شما وجود نداشته باشد.

<p>یخچال کار نمی کند.</p>
<ul style="list-style-type: none"> • دوشاخه برق یخچال به طرز صحیح در پریز قرار داده نشده است. <<< دوشاخه را به طرز صحیح در پریز قرار دهید. • فیوز پریزی که یخچال به آن وصل شده با فیوز اصلی سوخته است. <<< فیوز را بازبینی کنید.
<p>جمع شدن قطرات آب در دیوار کناری بخش یخچال (مالتی زون، کول کنترل و فلکسی زون).</p>
<ul style="list-style-type: none"> • محیط بسیار سرد است. <<< یخچال را در مناطقی که درجه حرارت آن زیر ۱۰ درجه سانتی گراد است نصب نکنید. • در دستگاه بیش از حد باز بوده است. <<< در دستگاه را بیش از حد باز و بسته نکنید. • محیط بسیار مرطوب است. <<< یخچال را در مناطقی که رطوبت آن بالا است، نصب نکنید. • مواد غذایی دارای مایعات در ظروف سر باز ذخیره شده اند. <<< مواد غذایی حاوی مایعات را در ظروف سر باز ذخیره نکنید. • در یخچال نیمه باز است. <<< در یخچال را ببندید. • ترموستات روی درجه بسیار سرد تنظیم شده است. <<< ترموستات را روی درجه حرارت مناسب تنظیم کنید.
<p>کمپرسور کار نمی کند</p>
<p>i حفاظت حرارتی کمپرسور در خلال قطع شدن ناگهانی برق یا کشیدن و زدن دوشاخه به برق فروکش خواهد کرد چراکه فشار یخچال در سیستم سرمایشی یخچال هنوز بالانس نشده است. یخچال شما تقریباً ۶ دقیقه بعد شروع بکار خواهد کرد. لطفاً اگر یخچال در انتهای این زمان کار نکرد سرویسکار را فراخوانید.</p> <ul style="list-style-type: none"> • یخچال در سیکل دیفراسست است. <<< این برای یک یخچال با دیفراسست کردن اتوماتیک کامل نرمال است. جریان دیفراسست بصورت دوره ای رخ میدهد. • دوشاخه برق یخچال در پریز نمی باشد. <<< مطمئن شوید که دوشاخه درست در پریز وارد شده باشد. • تنظیمات درجه حرارت به طرز صحیح انجام نشده اند. <<< مقدار درجه حرارت مناسب را انتخاب کنید. • برق وجود ندارد. <<< یخچال هنگام قطع شدن برق به حالت عادی باز خواهد گشت.
<p>مقدار نویز وقتیکه که یخچال کار میکند افزایش می یابد.</p>
<p>i عملکرد یخچال ممکن است بر اساس تغییرات دمای محیط تغییر کند. این نرمال است و نقص محسوب نمی شود.</p>

- i** یخچال جدید شما ممکن است عریض تر از یخچال قبلی باشد. یخچال های بزرگ برای یک مدت طولانی تر کار میکنند.
- دمای محیط اتاق شما ممکن است بالا باشد. << کار کردن دستگاه در مدت طولانی تر در محیطهای گرم امری عادی است.
 - اخیرا دوشاخه یخچال به برق وصل است یا در آن مواد غذایی قرار داده شده است. << هنگامی که اخیرا دوشاخه یخچال به برق وصل شده باشد یا مواد غذایی در آن قرار داده شده باشد، رسیدن به درجه حرارت تنظیم شده زمان بیشتری بطول خواهند انجامید. این امر عادی است.
 - ممکن است حجم زیادی از مواد غذایی داغ در یخچال گذاشته شده باشد. << مواد غذایی داغ را در یخچال قرار ندهید.
 - درب ها ممکن است متناوبا باز شده باشند و یا برای مدت طولانی نیمه باز مانده باشند. << هوای گرم که وارد یخچال شده است باعث میشود که یخچال برای مدت طولانی تری کار کند. درب را متناوبا باز نکنید.
 - در فریزر یا یخچال نیمه باز رها شده است. << بررسی کنید که درها درست بسته شده باشند.
 - یخچال در یک دمای بسیار پایین تنظیم شده است. << دمای یخچال را در یک درجه گرمتر تنظیم کنید و منتظر بمانید تا به آن درجه برسد.
 - آب بندی درب یخچال یا فریزر ممکن است کثیف ، فرسوده و یا شکسته شده و یا در جایش نشسته باشد. << لاستیک آب بندی را تمیز یا تعویض نمایید. لاستیک صدمه دیده یا شکسته موجب میشود تا یخچال برای مدت طولانی تری کار کند تا بتواند درجه دما را حفظ کند.
- دمای فریزر بهنگامیکه دمای یخچال کافی است بسیار پایین است.
- دمای فریزر در یک دمای بسیار پایین تنظیم شده است. << دمای فریزر را در یک درجه گرمتر تنظیم کنید و چک نمایید.
- دمای یخچال بهنگامیکه دمای فریزر کافی است بسیار پایین است.
- دمای یخچال در یک دمای بسیار پایین تنظیم شده است. << دمای یخچال را در یک درجه گرمتر تنظیم کنید و چک نمایید.
- مواد غذایی نگه داشته شده در محفظه کشوهای یخچال فریز می شوند.
- دمای یخچال در یک دمای بسیار بالا تنظیم شده است. << دمای یخچال را در یک درجه گرمتر تنظیم کنید و چک نمایید.

دما در یخچال یا فریزر بسیار بالا است.

- دمای یخچال در یک دمای بسیار بالا تنظیم شده است. <<< درجه حرارت بخش یخچال روی درجه حرارت بخش فریزر تاثیر می گذارد. درجه حرارت یخچال یا فریزر را تغییر داده و صبر کنید تا بخشهای مربوطه به درجه حرارت لازم برسند.
- درب ها ممکن است متناوبا باز شده باشند و یا برای مدت طولانی نیمه باز مانده باشند. <<< درب را متناوبا باز نکنید.
- در نیمه باز است. <<< درب را کامل ببندید.
- اخیرا دوشاخه یخچال به برق وصل است یا در آن مواد غذایی قرار داده شده است. <<< این امر عادی است. هنگامی که اخیرا دوشاخه یخچال به برق وصل شده باشد یا مواد غذایی در آن قرار داده شده باشد، رسیدن به درجه حرارت تنظیم شده زمان بیشتری بطول خواهند انجامید.
- ممکن است حجم زیادی از مواد غذایی داغ در یخچال گذاشته شده باشد. <<< مواد غذایی داغ را در یخچال قرار ندهید.

لرزش یا نویز.

- کف هموار و محکم نمی باشد. <<< اگر هنگامی که آرام آن را حرکت دهید، لرزید، آن را با پایه هایش تنظیم کنید. مطمئن شوید که کف هموار و قادر به تحمل وزن یخچال باشد.
- اقلامی که باید در یخچال قرار داده شوند تولید سر و صدا می کنند. <<< اشیاء بالای یخچال را بردارید. صدای نویز مانند ریختن مایع یا اسپری از یخچال به گوش می رسد.

i جریان مایع و گاز بر اساس اصول کارکرد یخچال رخ می دهد. این نرمال است و نقص محسوب نمی شود.

صدای سوت از دستگاه شنیده می شود.

i از پنکه برای خنک کردن یخچال استفاده می شود. این نرمال است و نقص محسوب نمی شود.

تراکم در داخل دیواره های یخچال.

i هوای مرطوب و داغ یخ زدن و تراکم را افزایش میدهد. این نرمال است و نقص محسوب نمیگردد.

- درب ها ممکن است متناوبا باز شده باشند و یا برای مدت طولانی نیمه باز مانده باشند. <<< درب را متناوبا باز نکنید. در صورتی که باز می باشند، آنها را ببندید.
 - در نیمه باز است. <<< درب را کامل ببندید.
- رطوبت در خارج یخچال یا بین درب ها رخ میدهد.

i ممکن است هوا رطوبت داشته باشد؛ این مسئله در آب و هوای مرطوب کاملا عادی است. وقتی که رطوبت کم باشد، قطرات آب محو می شود.

بوی بد در داخل یخچال

- تمیز کردن به صورت منظم انجام نشده است. << داخل یخچال را با یک اسفنج و آب ولرم یا آب دارای بی کربنات سدیم تمیز کنید.
- برخی از ظروف یا مواد بسته بندی ممکن است ایجاد بو نمایند. << از ظروف مختلف با مارکهای مختلف بسته بندی استفاده کنید.
- مواد غذایی درون یخچال در ظروف سر باز قرار داده شده اند. << ماده غذایی مایع را در ظروف دربسته نگهداری کنید. میکروارگانیسمهایی که از ظروفی که سر باز پخش می شوند می تواند بوی نامطبوع تولید کنند.
- **i** مواد غذایی که تاریخ مصرف آنها گذشته است و موادی که خراب شده اند را از یخچال خارج کنید.

در بسته نیست.

- بسته های مواد غذایی از بسته شدن درب جلوگیری می کنند. << بسته هایی را که مانع بستن درب میشوند جابجا کنید.
- یخچال به روی کف کاملا تراز نمی باشد. << پایه های یخچال را برای تراز شدن آن تنظیم کنید.
- کف هموار و محکم نمی باشد. << مطمئن شوید که کف هموار و قادر به تحمل وزن یخچال باشد.

محل نگهداری سبزیجات گیر کرده است.

- مواد غذایی با سقف کشوها تماس دارد. << مواد غذایی را در کشو مجدداً منظم کنید.

يرجى قراءة هذا الدليل أولاً!

عملينا العزيز،




نأمل أن هذا المنتج والذي تم إنتاجه في مصانع حديثة وفحصه بإجراءات صارمة لرقابة الجودة سيقدّم لكم خدمة فعّالة. ولذلك فنحن نوصي بقراءة هذا الدليل بالكامل بعناية قبل استخدامه وحفظه للرجوع إليه في المستقبل.

هذا الدليل

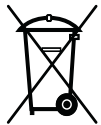
- سيساعدك على استخدام الجهاز بسرعة وبطريقة مأمونة.
- يرجى قراءة هذا الدليل قبل تركيب المنتج وتشغيله.
- يرجى اتباع الإرشادات، خاصةً تلك المتعلقة بالسلامة.
- احتفظ بهذا الدليل في مكان يسهل الوصول إليه عند الحاجة إليه في المستقبل.
- وبالإضافة إلى ذلك، يرجى قراءة المستندات الأخرى المرفقة مع المنتج.
- يرجى ملاحظة أن هذا الدليل قد يكون صالحاً لأنواع أخرى أيضاً.

الرموز ومعانيها.

يحتوي دليل التعليمات هذا على الرموز التالية.

- معلومات مهمة أو تلميحات استخدام مفيدة. 
- التحذير ضد الظروف الخطرة على الحياة والممتلكات. 
- تحذير ضد الفولتية الكهربائية. 

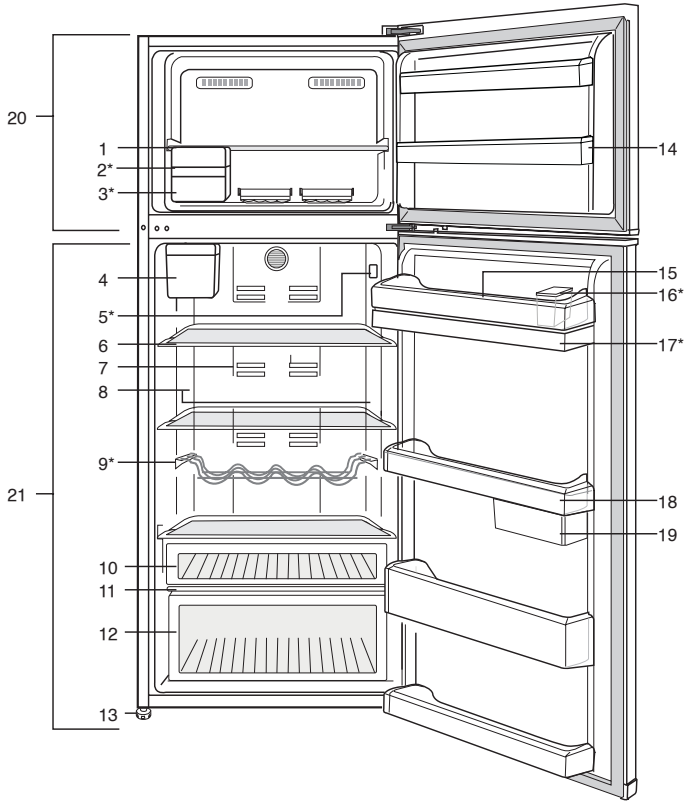
إعادة التصنيع



هذا المنتج يحمل رمز التصنيف الاختياري للمعدات الإلكترونية والكهربائية التي يمكن التخلص منها (WEEE). مما يعني أن هذا المنتج يجب التعامل معه وفقاً للقانون الأوروبي EC/2002/96 لكي يمكن إعادة تصنيعه أو فكه لتقليل أثره على البيئة. للمزيد من المعلومات، يرجى الاتصال بالهيئات المحلية أو الإقليمية.

قد تكون المنتجات الإلكترونية التي لم ترد في العملية التصنيعية الاختيارية خطرة على البيئة والصحة بسبب وجود مواد خطرة بها.

9	4	3	1
	الإعداد		الثلاجة
10	5	4	2
	استخدام الثلاجة		تحذيرات السلامة المهمة
10.....	لوحة المؤشر.....	4.....	الغرض المخصص.....
13.....	تحذير فتح الباب.....	6.....	بالنسبة للمنتجات المزودة بموزع الماء،.....
15.....	توصيات المحافظة على الأطعمة المجمدة.....	6.....	تأمين سلامة الأطفال.....
15.....	وضع الطعام.....	6.....	تحذير الحرارة والتبريد والتهوية (HCA).....
16.....	معلومات التجميد العميق.....	6.....	أشياء يجب عملها لتوفير الطاقة.....
17.....	حامل البيض.....	7	3
17.....	وصف فلتر الروائح وتنظيفه:.....		التركيب
18.....	وحدة توزيع المياه.....	7.....	نقاط يجب مراعاتها عند نقل الثلاجة.....
20.....	صندوق التخزين الدوار.....	7.....	قبل تشغيل الثلاجة.....
21.....	مصباح أزرق.....	8.....	ضبط أقدام الثلاجة.....
21.....	التجميد التلقائي.....	8.....	التوصيل الكهربائي.....
22	6	8	8
	الصيانة والتنظيف		التخلص من عبوة المنتج.....
22.....	حماية الأسطح البلاستيكية.....	8	التخلص من الثلاجة القديمة.....
23	7	8	الوضع والتركيب.....
	استكشاف الأعطال وإصلاحها		



- | | | | |
|------|---------------------------|------|---------------------------------|
| 12 . | درج | 1 . | رف صندوق الفريزر |
| 13 . | أقدام قابلة للضبط | 2 . | التجميد التلقائي |
| 14 . | أرفف باب صندوق الفريزر | 3 . | رف تخزين الثلج |
| 15 . | حامل البيض | 4 . | خزان المياه ذو التجميد التلقائي |
| 16 . | حاوية تعبئة موزع المياه | 5 . | مؤشر إعدادات درجة الحرارة |
| 17 . | خزان توزيع المياه | 6 . | أرفف زجاجية قابلة للضبط |
| 18 . | أرفف باب صندوق الثلاجة | 7 . | فلتر الروائح |
| 19 . | حاويات تخزين دوارة ومنزلة | 8 . | عدسات الإضاءة |
| 20 . | مقصورة الفريزر | 9 . | رف الزجاجات |
| 21 . | مقصورة الثلاجة | 10 . | أدراج الوجبات الخفيفة |
| | | 11 . | غطاء الدرج |

* اختياري

❗ الأشكال الواردة في دليل التعليمات هذا هي رسومات بيانية وقد لا تتطابق تمامًا مع المنتج. إذا لم تكن هذه القطع واردة في هذا الجهاز الذي اشتريته، فإنها مناسبة لأنواع أخرى.

- لا تلمس الطعام المجمد باليد، فقد يلتصق بيديك.
- افصل قابس التيار الكهربائي قبل تنظيف الثلاجة أو إزالة الثلج.
- لا يجب استخدام البخار أو مواد التنظيف بالبخار أبدًا في تنظيف أو عمليات إزالة الثلج من الثلاجة. ففي مثل هذه الحالة، قد يتفاعل البخار مع القطع الكهربائية ويؤدي إلى قطع التيار الكهربائي أو وقوع صدمة كهربائية.
- لا تستخدم مطلقًا قطع الثلجة، مثل الباب كوسيلة دعم أو للوقوف عليه.
- لا تستخدم أي أجهزة كهربائية داخل الثلاجة.
- لا تتلف الأجزاء حيث يتم تدوير الهواء البارد بأدوات حفر أو قطع. فقد ينفجر المبرد عند ثقب قنوات الغاز أو المبخر أو وصلات الأنابيب أو طلاءات السطح، وقد يتسبب ذلك في حدوث احتراق للجلد وإصابات للعين.
- لا تغط فتحات تهوية الثلاجة أو تسدها بأي مواد.
- يجب إجراء الإصلاحات بواسطة شخص مؤهل فقط. فعمليات الإصلاح التي يقوم بها أشخاص غير مؤهلين قد تمثل خطورة على المستخدم.
- في حالة وقوع أي عطل أو أثناء أي عملية صيانة أو أعمال إصلاح، افصل الثلاجة عن مصدر التيار الكهربائي الرئيسي إما بإغلاق المنصهر المعني أو بنزع قابس التيار الكهربائي الخاص بالجهاز.
- لا تجنب الكابل - بل اجنب من المقبس.
- ضع المشروبات راسياً وهي مغطاة بإحكام.
- يجب عدم الاحتفاظ في الثلاجة بالمواد القابلة للاشتعال أو المنتجات التي تحتوي على غازات قابلة للاشتعال (مثل الإسبراي) وكذلك المواد القابلة للانفجار.
- يجب عدم استخدام أدوات ميكانيكية أو أية وسائل أخرى للتسريع من عملية إزالة التجميد، بخلاف الأدوات التي توصي بها الجهة المصنعة.

- يرجى فحص المعلومات التالية. ربما يؤدي الإخفاق في اتباع هذه المعلومات إلى إصابات أو تلف للممتلكات. ومن ثم، قد تصبح كل التزامات الضمان غير سارية.
- يمتد العمر الافتراضي لاستخدام المنتج إلى 10 سنوات. وهذه هي فترة الإبقاء على عمل قطع الغيار المطلوبة للوحدة على النحو المبين.

الغرض المخصص

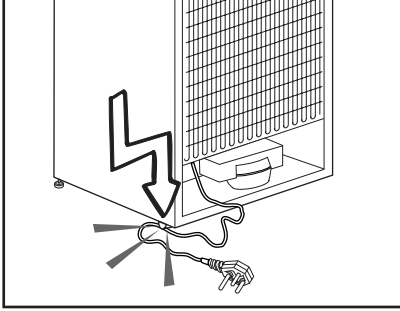
هذا المنتج مخصص لاستخدام

- داخل المنزل وفي الأماكن المغلقة كالمنازل.
- وفي بيئات العمل المغلقة مثل المخازن والمكاتب
- في مناطق السكن المغلقة مثل منازل المزرعة والفنادق والشقق الفندقية.
- لذا، يجب عدم استخدامه في الأماكن الخارجية.

السلامة العامة

- إذا أردت التخلص من الجهاز، فيوصى باستشارة مركز الصيانة المعتمد لمعرفة المعلومات المطلوبة والهيئات المعتمدة.
- استشر مركز الصيانة المعتمد حول كل الاستفسارات والمشكلات المتعلقة بالثلاجة. لا تتدخل ولا تدع أحدًا يتدخل في صيانة الجهاز دون إخبار مراكز الصيانة المعتمدة.
- بالنسبة للمنتجات المزودة بمقصورة فريزر، لا تأكل بسكويت الأيس كريم ومكعبات الثلج مباشرة بعد إخراجها من صندوق الفريزر. (فقد يسبب هذا لسعة صقيع داخل فمك.)
- بالنسبة للمنتجات المزودة بمقصورة فريزر، لا تضع المشروبات الساخنة المغلية أو الموضوع في زجاجات في صندوق الفريزر. وإلا، فقد تنتفجر.

- لا تصل الثلاجة إذا كان منفذ التيار الكهربائي غير محكم.
- ينبغي عدم نثر الماء مباشرة على الأجزاء الداخلية أو الخارجية للثلاجة لدواعي السلامة.
- لا ترش مواد قابلة للاشتعال مثل غاز البروبين بالقرب من الثلاجة بسبب مخاطر نشوب النيران والانفجار.
- لا تضع أشياء مملوئة بالماء أعلى الثلاجة فقد تؤدي إلى صدمة كهربائية أو نشوب حريق.



- لا تزيد من حمولة الثلاجة بطعام إضافي. إذا كانت الثلاجة بها حمل زائد، فقد يسقط الطعام ويصيبك وي تلف الثلاجة عند فتح الباب. لا تضع أشياء ثقيلة أعلى الثلاجة حيث قد تقع عند فتح باب الثلاجة أو غلقه.
- ينبغي عدم حفظ المنتجات التي تحتاج إلى تحكم دقيق في درجات الحرارة (الأمصال أو الأدوية ذات الحساسية للحرارة أو المواد العلمية أو ماشابه) في الثلاجة.
- إذا لم يتم استخدام الثلاجة لفترة طويلة، فيجب فصلها عن التيار الكهربائي. قد تتسبب أي مشكلة في عزل الكابل في نشوب حريق.

- هذا الجهاز غير مُعد للاستخدام بواسطة الأفراد (بما في ذلك الأطفال) ذوي القدرات الجسمية والحسية والذهنية المحدودة، أو الأفراد الذين يفتقدون للخبرة والمعرفة ما لم يتم الإشراف عليهم أو إعطائهم تعليمات استخدام الجهاز بواسطة شخص مسؤل عن سلامتهم أو الشخص الذي سيقوم بإعطائهم التعليمات الخاصة باستخدام المنتج.
- لا تقم بتشغيل الثلاجة وهي تالفة. استشر مركز الصيانة إذا لديك أي شك.
- يمكن ضمان السلامة الكهربائية للثلاجة فقط إذا كان نظام التوصيل الأرضي في منزلك يتوافق مع المعايير.
- إن تعريض الجهاز للأمطار والتلج والشمس والرياح يمثل خطورة فيما يتعلق بالسلامة الكهربائية.
- اتصل بفني خدمة مؤهل في حالة وجود تلف بكابل الطاقة لتجنب المخاطر.
- لا تقم بتوصيل الثلاجة بمنفذ الحائط أبداً أثناء عملية التركيب. وإلا، فهناك خطر أن تلقى مصرعك أو تلحق بك إصابة خطيرة.
- تم تصميم هذه الثلاجة فقط لحفظ الطعام. يجب ألا تستخدم لأية أغراض أخرى.
- يوجد ملصق التصنيف الذي يحتوي على المواصفات الفنية للمنتج في الجزء الأيسر الداخلي للثلاجة.
- لا تصل الثلاجة بأي نظم إلكترونية لتوفير الطاقة فقد يتلف المنتج.
- إذا كانت الثلاجة بها لون أزرق، فلا تنظر إلى اللون الأزرق من خلال أجهزة بصرية.
- إذا تم فصل التيار الكهربائي في الثلاجات المتحكم فيها يدوياً، يرجى الانتظار لمدة 5 دقائق قبل إعادة توصيل التيار الكهربائي.
- ينبغي تسليم دليل التشغيل هذا إلى المالك الجديد للثلاجة عند بيعها للآخرين.
- تجنب تلف كابل الطاقة أثناء نقل الثلاجة. قد يتسبب الكابل المثني في نشوب حريق. لا تضع أي أشياء ثقيلة على كابل الطاقة. لا تقم بلمس القابس بأيدي مبتلة عند توصيل قابس الثلاجة.

- يجب تنظيف طرف قابس التيار الكهربائي بشكل دوري وإلا فقد يتسبب في نشوب حريق.
- من الممكن أن تتحرك الثلجة إذا لم يتم تثبيتها بإحكام على الأرض. يمكن للأقدام القابلة للضبط المثبتة بإحكام على الأرض أن تثبت الثلجة في مكانها ولا تتحرك.
- عند حمل الثلجة، لا تمسكها من مقبض الباب. وإلا فيكسر.
- عندما ترغب في تشغيل ثلاجتك بجوار ثلاجة أخرى، اترك مسافة 8 سم على الأقل بينهما. وإلا فقد تصبح الحوائط الجانبية المقابلة لبعضها البعض رطبة.

هذا الغاز قابل للاشتعال. ولذا، يجب توخي الحذر حتى لا يتم إتلاف نظام التبريد والأنابيب أثناء الاستخدام والنقل. في حالة التلف، لا تتخلص من المنتج بإلقائه في النيران، واحتفظ به بعيداً عن مصادر النيران المحتملة والتي يمكن أن تتسبب في نشوب النيران بالمنتج واحرص على تهوية الحجره التي تحتفظ بالمنتج فيها.

إذا كان المنتج مزوداً بنظام تبريد يحتوي على R134a:
نوع الغاز المستخدم في هذا المنتج مذكور على لوحة النوع الموجودة على الجانب الأيسر الداخلي للثلاجة.
لا تتخلص من المنتج مطلقاً بإلقائه في النيران.

بالنسبة للمنتجات المزودة بموزع الماء،

- يجب ألا يقل ضغط خط المياه الرئيسي عن 1 بار. يجب ألا يزيد ضغط خط المياه الرئيسي عن 8 بارات.
- استخدم ماء قابلاً للشرب فقط.

أشياء يجب عملها لتوفير الطاقة

- لا تترك أبواب الثلجة مفتوحة لفترة طويلة.
- لا تضع الأطعمة أو الخضروات الساخنة في الثلجة.
- لا تزيد حمل الثلجة بحيث لا تمنع دورة الهواء داخلها.
- لا تترك الثلجة تحت أشعة الشمس المباشرة أو بالقرب من أجهزة تنبعث من حرارة مثل الفرن أو غسالة الأطباق أو المشع.
- يجب وضع الطعام في علب مغلقة.
- بالنسبة للمنتجات المزودة بمقصورة فريزر، يمكنك تخزين الحد الأقصى من كمية الطعام في الفريزر عندما تقوم بإخراج الرفوف أو الأدراج منه. استهلاك الطاقة المذكورة والخاص بالثلجة تم تحديده أثناء إخراج الرف والدرج من الفريزر وتحمله بالحد الأقصى للحمولة. ولا توجد خطورة من استخدام الرف أو الدرج وفقاً للأشكال وأحجام الأطعمة المطلوب تجميدها.
- إذابة الطعام المجمد في مقصورة الثلجة ستوفر الطاقة وتحفظ جودة الطعام.

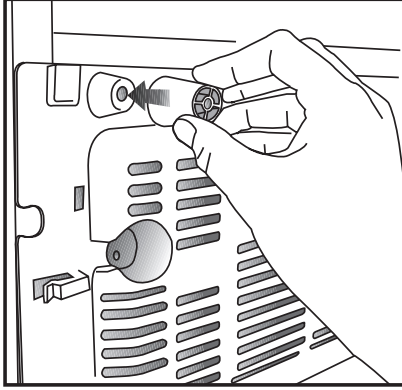
تأمين سلامة الأطفال

- إذا كان الباب مزوداً بقل، فينبغي الاحتفاظ بالمفتاح بعيداً عن متناول الأطفال.
- يجب رقابة الأطفال حتى لا يعثبوا بالمنتج.

تحذير الحرارة والتبريد والتهوية (HCA)

إذا كان المنتج مزوداً بنظام تبريد يحتوي على R600a:

2. يرجى تركيب إسفينين بلاستيكيين كما هو موضح في الشكل التوضيحي. سيوفر هذان الإسفينان المسافة المطلوبة بين الثلاجة والحائط، مما سيسمح بتدور الهواء. (الشكل الموضح ما هو إلا مثال ولا يطابق المنتج بشكل تام.)



3. نظف الجزء الداخلي للثلاجة كما هو موصى به في قسم "الصيانة والتنظيف".

4. قم بتوصيل القابس بمنفذ الكهرباء بالحائط. عند فتح باب الثلاجة، سيضيء مصباح مقصورة الثلاجة الداخلي.

5. سوف تسمع ضوضاء عند بدء عمل جهاز ضغط الهواء. تؤدي السوائل والغازات المتسربة من جهاز الثلاجة إلى إحداث ضوضاء، حتى إن كان جهاز ضغط الهواء لا يعمل وهذا أمر طبيعي.

6. قد يكون ملمس الحواف الأمامية للثلاجة دافئاً. هذا شيء طبيعي. حيث تم تصميم هذه المناطق حتى تكون دافئة تجنباً للتكثف.

⚠ يرجى تذكر أن المصنّع لن يتحمل أي مسؤولية في حالة عدم اتباع المعلومات الواردة في دليل التعليمات.

نقاط يجب مراعاتها عند نقل الثلاجة

1. يجب إفراغ الثلاجة وتنظيفها قبل أي عملية نقل.
2. يجب تثبيت الأرفف والملحقات والأدراج وخلافه في الثلاجة بإحكام بشرط لاصق ضد الارتجاج قبل إعادة تعبئتها بالعبوة.
3. يجب إحكام العبوة بأشرطة لاصقة سميكة وحبال قوية، كما يجب إتباع تعليمات النقل المطبوعة على العبوة.

يرجى ألا تنسى...

يجب عدم التخلص من أية مواد قابلة لإعادة التدوير حفاظاً على الطبيعة والموارد القومية.

إذا رغبت في المساهمة في إعادة تدوير مواد التعبئة، يمكنك الحصول على معلومات إضافية من الهيئات البيئية أو السلطات المحلية.

قبل تشغيل الثلاجة

1. قبل البدء في استخدام الثلاجة، تحقق مما يلي:
هل الجزء الداخلي للثلاجة جاف، وهل الهواء يدور بحرية في الجزء الخلفي؟

التوصيل الكهربائي

صل المنتج بمنفذ توصيل أرضي محمي بمنصهر ذي سعة مناسبة.
هام:

- يجب أن يتوافق التوصيل مع اللوائح الوطنية.
- يجب أن يكون قابس كابل التيار في مكان يسهل الوصول إليه بعد التركيب.
- يجب أن تكون الفولتية المقررة مساوية لفولتية منفذ التيار الرئيسي.
- يجب عدم استخدام الوصلات الكهربائية والمقابس متعددة المسالك للتوصيل.
- ⚠ يجب يتم استبدال كابل التيار التالف بواسطة فني الكهرباء المعتمد.
- ⚠ يجب ألا يتم تشغيل المنتج قبل إصلاحه! حيث يوجد خطر يكمن في التعرض لصدمة كهربائية!

التخلص من عبوة المنتج

قد تكون مواد التغليف خطرة على الأطفال. احتفظ بمواد التغليف بعيداً عن متناول الأطفال أو تخلص منها بتصنيفها وفقاً لتعليمات التخلص من المخلفات. لا تتخلص منها مع مخلفات المنزل العادية.
يتم تصنيع حزمة تعبئة الثلجة من مواد قابلة لإعادة التدوير.

التخلص من الثلجة القديمة

- تخلص من الجهاز القديم دون إحداث أي ضرر بالبيئة.
 - يمكنك استشارة الوكيل المعتمد لديك أو مركز تجميع النفايات بمدينتك حول التخلص من الثلجة القديمة.
- قبل التخلص من الثلجة، اقطع القابس الكهربائي، وفي حالة وجود أي أفتال على باب الثلجة، اجعلها غير قابلة للتشغيل لحماية الأطفال من أي خطر.

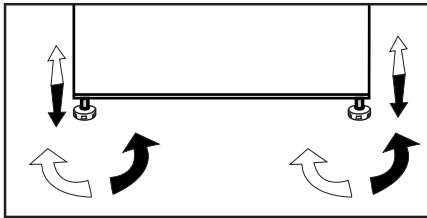
الوضع والتركيب

⚠ إذا كان باب الحجره التي ستوضع بها الثلجة ضيق بدرجة لا تسمح بمرور الثلجة من خلاله، فاتصل بمركز الصيانة المعتمد لإزالة أبواب الثلجة وتمريرها وهي مائلة من الباب.

1. ركب الثلجة في مكان يسمح بسهولة الاستخدام.
2. ضع الثلجة بعيداً عن مصادر الحرارة والمناطق الرطبة وأشعة الشمس المباشرة.
3. يجب أن تتوفر التهوية المناسبة حول الثلجة للحصول على تشغيل يتسم بالكفاءة. إذا كانت الثلجة ستوضع في تجويف داخل الحائط، فيجب أن يكون يترك 5 سم على الأقل بينها وبين السقف و 5 سم على الأقل بينها وبين الحائط. إذا كانت الأرضية مغطاة بسجادة، فيجب رفع الجهاز 2.5 سم على الأقل عن الأرض.
4. ضع الثلجة على سطح مستو لمنع الحركة المفاجئة.
5. لا تضع الثلجة في درجات حرارة محيطية تقل عن 10 درجة مئوية.

ضبط أقدام الثلجة

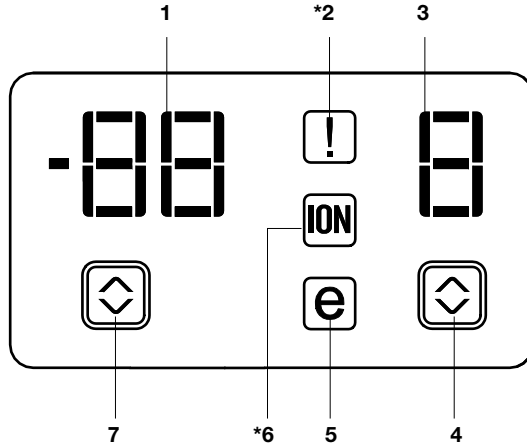
إذا كانت الثلجة غير متزنة؛ يمكن ضبط اتزان الثلجة بتدوير الأقدام الأمامية كما هو موضح بالشكل. يتم خفض الركن الموجود به القدم عند التدوير باتجاه السهم الأسود ويرتفع عند التدوير في الاتجاه المعاكس. ستساعد الاستعانة بشخص آخر في رفع الثلجة قليلاً في إنجاز هذه العملية.



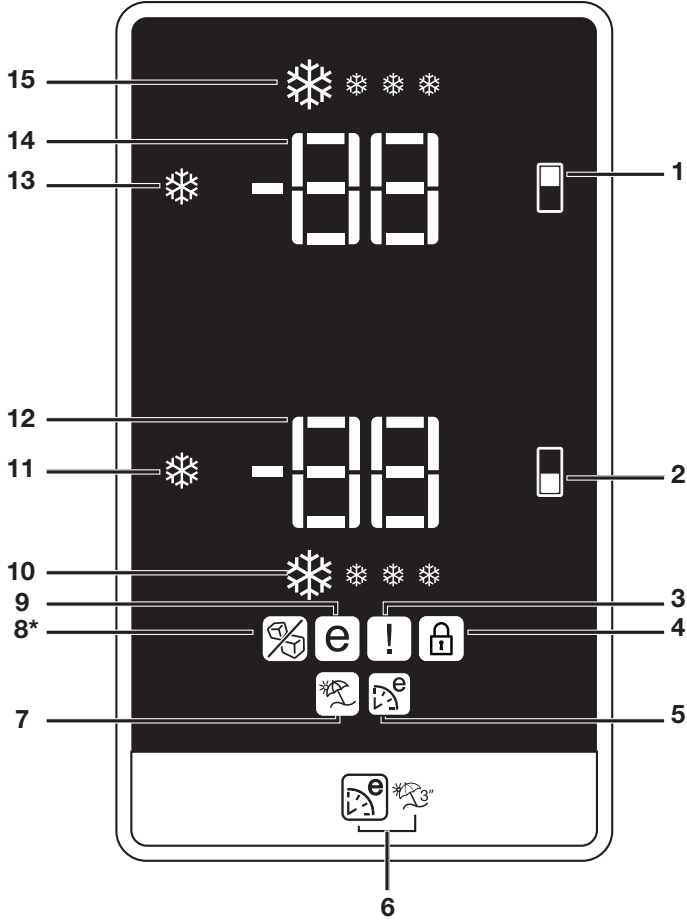
- ❗ يجب تركيب الثلاجة على بعد 30 سم على الأقل من مصادر الحرارة مثل المواقد والأفران والسخان المركزي والمواقد وعلى بعد 5 سم على الأقل من الأفران الكهربائية ويجب عدم وضعها في ضوء الشمس المباشر.
- ❗ يجب أن تكون درجة الحرارة المحيطة للغرفة التي تضع فيها الثلاجة 10 درجة مئوية على الأقل. ولا يُوصى بتشغيل الثلاجة في ظروف درجة حرارة أقل من ذلك تحقياً لكفائها.
- ❗ يُرجى التأكد من تنظيف الثلاجة من الداخل بعناية.
- ❗ إذا كنت بصدد تركيب ثلاجتين جنباً إلى جنب، فيجب المباشرة بينهما بمسافة 2 سم على الأقل.
- ❗ عند تشغيل الثلاجة للمرة الأولى، يُرجى مراعاة التعليمات التالية أثناء الساعات الستة الأولى.
- يجب عدم فتح الباب بصورة متكررة.
- يجب تشغيلها وهي خاوية بدون أي أطعمة داخلها.
- لا تنزع قابس التيار الكهربى للثلاجة إذا توقف التيار الكهربى رغماً عنك، فيرجى قراءة التحذيرات الواردة في قسم "حلول مقترحة للمشكلات".
- ❗ يجب الحفاظ على العبوة الأصلية ومواد التغليف المصاحبة لأغراض النقل المستقبلى أو الانتقال.

قد تختلف لوحات المؤشر وفقاً لموديل المنتج الخاص بك.

تساعد لوحة المؤشر في استخدام الثلاجة بواسطة وظائفها المسموعة والمرئية.



1. مؤشر درجة حرارة صندوق الفريزر
 2. مؤشر حالة الخطأ
 3. مؤشر درجة حرارة صندوق الثلاجة
 4. زر ضبط درجة حرارة صندوق الثلاجة
 5. مؤشر الوضع الاقتصادي
 6. مؤشر التأيين
 7. زر ضبط درجة حرارة صندوق الفريزر
1. مؤشر درجة حرارة صندوق الفريزر
يوضح درجة الحرارة المضبوطة لصندوق الفريزر.
 2. مؤشر حالة الخطأ
إذا لم تقم الثلاجة بالتبريد بالشكل الكافي أو إذا أخفق المستشعر، يتم تنشيط هذا المؤشر. عندما يتم تنشيط هذا المؤشر، يعرض مؤشر درجة حرارة صندوق الفريزر "E" ويعرض مؤشر درجة حرارة صندوق الثلاجة أرقامًا مثل "1" و"2" و"3...". توفر تلك الأرقام الموجودة على المؤشر معلومات حول الخطأ بالنسبة لموظفين الخدمة.
3. مؤشر درجة حرارة صندوق الثلاجة
يوضح درجة الحرارة المضبوطة لصندوق الثلاجة.
 4. زر ضبط درجة حرارة صندوق الثلاجة
اضغط على هذا الزر لضبط درجة حرارة صندوق الثلاجة على 8 و6 و2 و8... بالترتيب. اضغط على هذا الزر لضبط درجة الحرارة المرغوبة لصندوق الثلاجة.
 5. مؤشر الوضع الاقتصادي
يوضح أن الثلاجة تعمل باستخدام وضع موفر للطاقة.
 6. مؤشر التأيين
يضيء المصباح باستمرار. يشير هذا المصباح إلى أن الثلاجة محمية من البكتيريا.
 7. زر ضبط درجة حرارة صندوق الفريزر
اضغط على هذا الزر لضبط درجة حرارة صندوق الفريزر على 18- و20- و22- و24- و18- ... بالترتيب. اضغط على هذا الزر لضبط درجة الحرارة المرغوبة لصندوق الفريزر.



- | | | | |
|--|----|------------------------------------|-----|
| إعداد صندوق الفريزر / مفتاح تشغيل إيقاف لتجميد | .1 | مؤشر الاستخدام الاقتصادي | .9 |
| زر ضبط درجة حرارة مقصورة الثلجة | .2 | مؤشر وظيفة التبريد السريعة | .10 |
| مؤشر حالة الخطأ | .3 | زر التبريد السريع "Quick fridge" | .11 |
| مؤشر تأمين المفاتيح | .4 | مؤشر ضبط درجة حرارة الثلجة | .12 |
| مؤشر وظيفة Eco Extra | .5 | زر التجميد السريع "Quick freeze" | .13 |
| زر التوفير الإضافي/الإجازة | .6 | مؤشر ضبط درجة حرارة مقصورة الفريزر | .14 |
| مؤشر وظيفة الإجازة | .7 | مؤشر وظيفة التجميد السريع | .15 |
| مؤشر إيقاف التجميد (في بعض الموديلات) | .8 | | |

1. إعداد صندوق الفريزر / مفتاح تشغيل إيقاف التجميد

تسمح لك هذه الوظيفة بضبط درجة حرارة صندوق الفريزر. اضغط على هذا الزر لضبط درجة حرارة صندوق الفريزر على 18- و20- و22- و24- بالترتيب. لإيقاف تكوين الثلج؛ اضغط على نفس الزر لمدة 3 ثوانٍ. سيتوقف تدفق المياه من خزان المياه عندما يتم اختيار هذه الوظيفة. ومع ذلك؛ يمكن إخراج الثلج الموجود من وحدة التوزيع. لإيقاف تكوين الثلج؛ اضغط على نفس الزر لمدة 3 ثوانٍ.

2. زر ضبط درجة حرارة مقصورة الثلجة

تسمح لك هذه الوظيفة بضبط درجة حرارة مقصورة الثلجة. اضغط على هذا الزر لضبط درجة حرارة صندوق الثلجة على 18- و20- و22- و24- ... بالترتيب.

3. مؤشر حالة الخطأ

إذا لم تقم الثلجة بالتبريد بالشكل الكافي أو إذا أخفق المستشعر، يتم تنشيط هذا المؤشر. عندما يتم تنشيط هذا المؤشر، يعرض مؤشر درجة حرارة مقصورة الفريزر "E" ويعرض مؤشر درجة حرارة صندوق الثلجة أرقاماً مثل "1" و"2" و"3". توفر تلك الأرقام الموجودة على المؤشر معلومات حول الخطأ بالنسبة لموظفين الخدمة. عندما تضع طعام ساخن في مقصورة الفريزر، أو إذا تركت الباب مفتوحاً لفترة طويلة، فستومض علامة تعجب لبعض الوقت. هذا ليس خطأً، فهذا التنبيه سيختفي عندما يبرد الطعام.

4. مؤشر قفل المفاتيح

استخدم تلك الوظيفة إذا كنت لا تريد تغيير ضبط درجة حرارة الثلجة. اضغط على زر التبريد السريع و زر ضبط درجة حرارة صندوق التخزين متعدد المناطق معاً لمدة 3 ثواني لتنشيط تلك الخاصية.

5. مؤشر وظيفة Eco Extra

يوضح أن وظيفة Eco Extra في وضع نشط. في حالة تنشيط هذه الوظيفة، ستكتشف ثلاجتك تلقائياً أقل فترات الاستخدام وستعمل وظيفة التبريد الموفرة للطاقة خلال تلك الفترات. سيتم تنشيط مؤشر الاقتصاد أثناء عمل وظيفة التبريد الموفرة للطاقة. اضغط على الزر المخصص مرة أخرى لإلغاء تنشيط هذه الوظيفة.

6. زر التوفير الإضافي/الإجازة

اضغط على هذا الزر لفترة قصيرة لتنشيط وظيفة التوفير الإضافي. اضغط باستمرار على هذا الزر لمدة 3 ثوانٍ لتنشيط وظيفة الإجازة. اضغط على هذا الزر لإلغاء تنشيط الوظيفة المحدده.

7. مؤشر وظيفة الإجازة

يوضح أن وظيفة الإجازة في وضع نشط. إذا كانت تلك الوظيفة نشطة، فسيظهر " - " على مؤشر صندوق الثلجة ولن تظهر أي علامات تبريد في صندوق الثلجة. يتم تبريد المقصورات الأخرى بالتوافق مع درجة الحرارة التي تم ضبطها لهم. اضغط على الزر المخصص مرة أخرى لإلغاء تنشيط هذه الوظيفة.

8. مؤشر إيقاف تكوين الثلج

لن يعمل التجميد عندما يكون مؤشر هذه الوظيفة قيد التشغيل. أنظر العنصر 1 لتفعيل التجميد.

9. مؤشر الوضع الاقتصادي

يوضح أن التلاجة تعمل باستخدام وضع موفر للطاقة. درجة حرارة مقصورة الفريزر يكون هذا المؤشر نشط إذا تم ضبط الوظيفة على درجة حرارة 18 أو كانت وظيفة التبريد الموفرة للطاقة تعمل نتيجة لوظيفة Eco-Extra.

10. مؤشر التبريد السريع

يومض هذا الرمز بشكل مجسم عند تنشيط وظيفة التبريد السريع.

11. وظيفة التبريد السريع

عند الضغط على زر التبريد السريع "Quick

Fridge"، تصبح درجة حرارة الصندوق أبرد من القيم المضبوطة.

يمكن استخدام هذه الوظيفة للطعام الموضوع في مقصورة التلاجة والمطلوب تجميده بسرعة.

إذا أردت تبريد كمية كبيرة من الطعام الطازج، يوصى بتنشيط هذه الميزة قبل وضع الطعام في التلاجة.

يتم تشغيل مؤشر التجميد السريع عند تشغيل وظيفة التجميد السريع. لإلغاء هذا الوظيفة، اضغط على زر

Quick Fridge مرة أخرى.

إذا لم يتم إلغاؤها، ستلغي وظيفة التثليج السريع نفسها تلقائياً بعد مرور 4 ساعات أو عندما تصل درجة حرارة مقصورة التلاجة إلى الدرجة المطلوبة.

لن يتم استدعاء هذه الوظيفة عندما يتم استعادة التيار الكهربائي بعد انقطاعه.

12. مؤشر ضبط درجة حرارة مقصورة التلاجة

يبين درجة الحرارة المضبوطة لمقصورة التلاجة.

13. مؤشر ضبط درجة حرارة مقصورة الفريزر

يبين درجة الحرارة المضبوطة مقصورة الفريزر.

14. وظيفة التجميد السريع

يتم تشغيل مؤشر التجميد السريع عند تشغيل وظيفة

التجميد السريع. لإلغاء هذا الوظيفة، اضغط على زر

Quick Freeze مرة أخرى. ينطفئ مؤشر التجميد

السريع وتعود الإعدادات إلى الوضع الطبيعي. إذا لم يتم

إلغاؤها، ستلغي وظيفة التجميد السريع نفسها تلقائياً بعد

مرور 8 ساعات أو عندما تصل درجة حرارة صندوق

الفريزر إلى الدرجة المطلوبة.

إذا أردت تجميد كمية كبيرة من الطعام الطازج، يرجى

الضغط على زر Quick Freeze 24 ساعة قبل وضع

الطعام في صندوق الفريزر.

إذا ضغطت على زر QuickFreeze (التجميد السريع)

بشكل متكرر لفترات قصيرة، سيتم تنشيط حماية الدائرة

الإلكترونية ولن يبدأ تشغيل الضاغط فوراً.

لن يتم استدعاء هذه الوظيفة عندما يتم استعادة التيار

الكهربي بعد انقطاعه.

15. مؤشر التجميد السريع

يومض هذا الرمز بشكل مجسم عند تنشيط وظيفة التجميد

السريع.

تحذير فتح الباب

(قد تختلف هذه الخاصية وفقاً لباب المنتج وقد لا

تكون موجودة في بعض الموديلات.)

يتم سماع صوت تحذير عندما يكون باب مقصورة التلاجة

مفتوحاً لمدة 1 دقيقة على الأقل. سيتوقف هذا التحذير عندما

يتم إغلاق الباب أو تم الضغط على أياً من مفاتيح العرض

(إن وجدت).

- يجب تبريد الطعام الساخن إلى درجة حرارة الغرفة قبل وضعه في الثلاجة.
 - يجب أن يكون الطعام المراد تجميده جيداً وطازجاً.
 - يجب تقسيم الأطعمة إلى أجزاء طبقاً للاستهلاك اليومي للعائلة أو الوجبة اليومية.
 - * يجب تعبئة الأطعمة بطريقة محكمة لمنع جفاف أي منها إذا كانت ستُحفظ لوقت قصير.
 - يجب أن تكون المواد المستخدمة في التعبئة ضد القطع ومقاومة للبرد والرطوبة والرائحة والزيوت والأحماض كما يجب أن تكون محكمة الهواء. وبالإضافة إلى ذلك، يجب أن تكون هذه المواد مغلقة ومصنوعة من مواد سهلة الاستخدام ومناسبة للاستخدام في الديب فريزر.
 - يجب استخدام الطعام المجمد مباشرة بعد إذابته، كما يجب عدم إعادة تجميده مطلقاً.
 - يرجى اتباع التعليمات الآتية للحصول على أفضل النتائج.
1. * لا تقم بتجميد كميات كبيرة من الطعام مرة واحدة في نفس الوقت. يتم الاحتفاظ بجودة الطعام بشكل أفضل عند تجميده بطريقة صحيحة بالكامل في أسرع وقت ممكن.
 2. يتسبب وضع الطعام دافئ في تجويف الفريزر إلى عمل نظام التبريد باستمرار حتى يتم تجميد الطعام وجعله صلباً.
 3. توخ الحذر جيداً لعدم خلط الأطعمة المجمدة فعلياً بالأطعمة الطازجة.

إعداد مقصورة الفريزر	إعداد مقصورة الثلاجة	توضيحات
18- درجة مئوية	4 درجة مئوية	هذا هو الضبط الموصى به بشكل طبيعي.
20 أو 22- أو 24- درجة مئوية	4 درجة مئوية	هذه هي إعدادات الضبط الموصى بها عندما تتجاوز درجة الحرارة المحيطة 30 درجة مئوية.
التجميد السريع	4 درجة مئوية	استخدم هذا عندما ترغب في تجميد الطعام في وقت قصير. سترجع الثلاجة إلى وضعها السابق عندما تنتهي هذه العملية.
18- درجة مئوية أو أقل	2 درجة مئوية	إذا اعتقدت أن مقصورة الثلاجة غير بارد بدرجة كافية بسبب الظروف الساخنة أو الفتح المتكرر للأبواب أو إغلاقها، فيمكن الضبط على هذه القيم.
18- درجة مئوية أو أقل	التبريد السريع	يمكن استخدامها عندما يكون صندوق الثلاجة ذا حمل زائد أو عندما ترغب في تبريد الطعام بسرعة. يوصى بتنشيط وظيفة التبريد السريع من 4 إلى 8 ساعات قبل وضع الطعام فيها.

وضع الطعام

توصيات المحافظة على الأطعمة المجمدة

- * يجب حفظ الأطعمة المجمدة التجارية مسبقاً بالتعبئة وفقاً لإرشادات مصنع الطعام المجمد بالنسبة لصندوق حفظ الطعام المجمد [***] * (4 نجوم).
 - لضمان المحافظة على أفضل جودة لدى جهة تصنيع الطعام المجمد والبنائع؛ يجب تذكر ما يلي:
 1. توضع العبوات في الفريزر بأسرع ما يمكن بعد الشراء.
 2. تأكد من أن المحتويات ملصقة على العبوة ومدون عليها التاريخ.
 3. يجب عدم تجاوز تاريخ 'استخدام حتى' أو 'يفضل قبل' على العبوة.
- إزالة الثلج**
يقوم تجويف الفريزر بإزالة الثلج بشكل تلقائي.

أرفف صندوق الفريزر	طعام مجمد متنوع مثل اللحم والسمك والأيس كريم والخضروات إلخ.
حامل البيض	البيض
أرفف صندوق التلاجة	الطعام في معلبات وأطباق مغطاة وعلب مغلقة.
أرفف باب صندوق التلاجة	طعام قليل أو مغلف أو مشروبات (مثل اللبن وعصائر الفواكه)
درج	الخضروات والفاكهة
مقصورة منطقة الطعام الطازج	منتجات الأطعمة المعلبة (الجبن والزبد والسلامي... إلخ.)

معلومات التجميد العميق

يجب تجميد الطعام بأسرع ما يمكن عند وضعه في الثلاجة للحفاظ على جودته.

يتطلب قانون TSE (وفقاً لظروف قياس معينة) التلاجة أن تجمد 4.5 كجم من الطعام عند درجة حرارة 32 درجة مئوية إلى 18- درجة مئوية أو أقل في خلال 24 ساعة لكل 100 لتر من حجم الفريزر.

يمكن الحفاظ على الطعام لفترة أطول فقط عند درجة حرارة 18- درجة مئوية أو درجات حرارة أقل.

يمكن الحفاظ على طازجة الطعام لشهور عديدة (عند درجة حرارة 18- أو أقل في الديب فريزر).

⚠ تحذير!

• يجب تقسيم الأطعمة إلى أجزاء طبقاً للاستهلاك اليومي للعائلة أو الوجبة اليومية.

• يجب تغليف الأطعمة بطريقة محكمة لمنع جفاف أي منها إذا كانت ستُحفظ لوقت قصير.

المواد الضرورية للتعبئة.

• شريط لاصق مقاوم للبرد

• شريط لاصق ذاتي

• حلقات مطاطية

• قلم

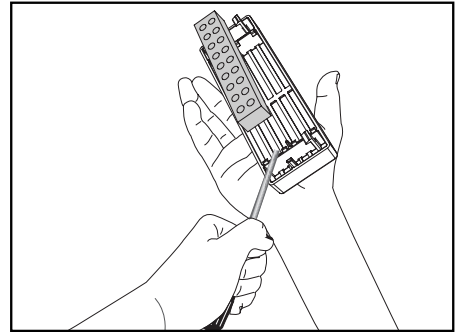
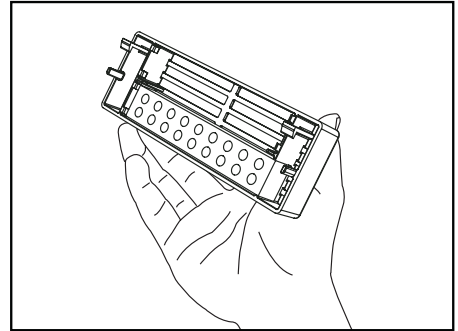
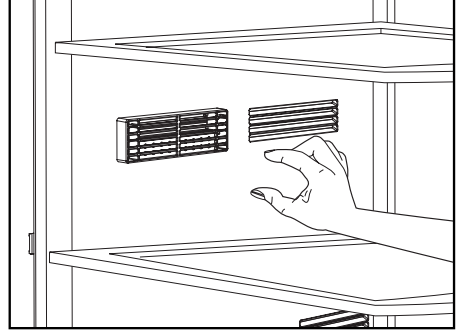
يجب أن تكون المواد المزمع استخدامها لتعبئة الطعام مقاومة للقطع وللبرد والرطوبة والزيت والأحماض.

يجب عدم ملامسة الأطعمة المزمع تجميدها للمواد المذابة سابقاً لمنع الإذابة الجزئية.

يجب استخدام الطعام المجمد مباشرة بعد إذابته، كما يجب عدم إعادة تجميده مطلقاً.

وصف فلتر الروائح وتنظيفه:

يمنع فلتر الروائح تراكم الروائح الكريهة داخل الثلاجة. اجذب الغطاء المركب فيه فلتر الروائح لأسفل وأخرجه كما هو موضح في الشكل. اترك الفلتر معرضاً لأشعة الشمس لمدة يوم واحد. سيتم تنظيف الفلتر خلال هذه المدة الزمنية. قم بتركيب الفلتر مرة أخرى في مكانه. يجب تنظيف فلتر الروائح مرة كل عام.



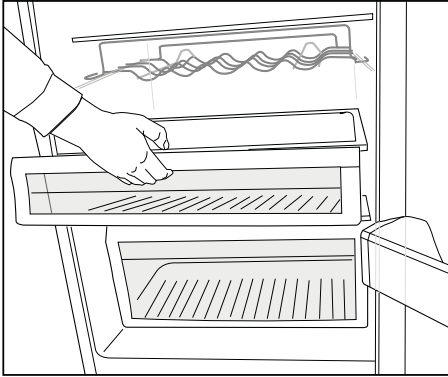
أدراج الوجبات الخفيفة

استخدم هذه المقصورات لأطعمتك التي ترغب في تخزينها في درجة حرارة لدرجات أقل قليلاً من مقصورة الثلاجة.

يمكن زيادة الحجم الداخلي للثلاجة بإخراج أي من صناديق الوجبات الخفيفة.

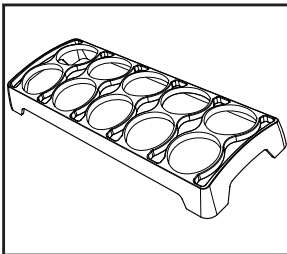
1. اجذب الصندوق تجاهك حتى يوقفه الحاجز.
2. ارفع القسم الأمامي واسحبه نحوك لإزالة المقصورة من مكانها.

يمكنك وضع الطعام الذي تريد تجميده لإعداده ليتجمد في هذه الصناديق لإعداده للتجميد.



حامل البيض

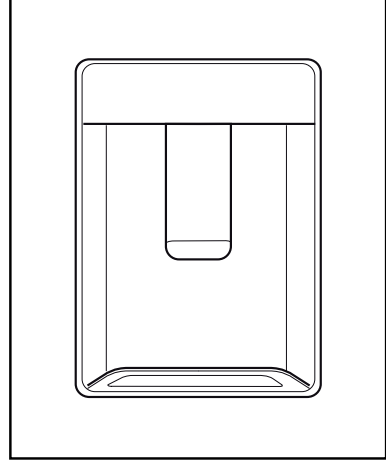
يمكن تركيب حامل البيض بالباب المطلوب أو رف الجسم. لا تخزن حامل البيض في مقصورة الفريزر أبداً.



وحدة توزيع المياه

(في بعض الموديلات)

يعتبر موزع المياه ميزة مفيدة للحصول على ماء بارد بدون فتح باب الثلاجة. ولأنه لن تضطر إلى فتح باب الثلاجة بصورة متكررة، فسوف تقلل من استهلاك الثلاجة للطاقة.

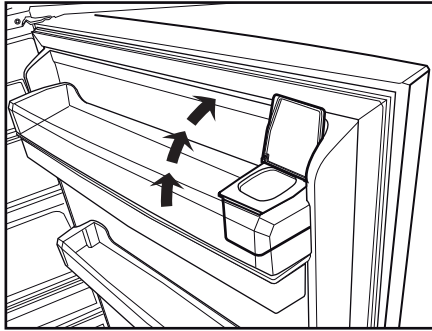
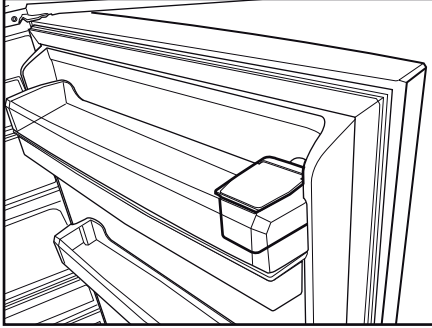


استخدام صنبور الماء

اضغط على مزلاج صنبور الماء بالكوب. سيتوقف موزع المياه عن العمل بمجرد أن تحرر المزلاج. عند تشغيل موزع المياه، يتم الحصول على أقصى تدفق للمياه بالضغط الكامل على المزلاج. تذكر أن كمية تدفق المياه من موزع المياه يخضع لدرجة الضغط على المزلاج. وكلما ارتفع مستوى المياه في الكوب / الكاس، خفف كمية الضغط على المزلاج لتجنب زيادة التدفق. إذا ضغطت برفق على المزلاج، سيقطر الماء، وهذا أمر طبيعي وليس عيباً.

ملا خزان مياه موزع الماء.

يوجد صهريج ملى خزان المياه بداخل رف الباب. افتح غطاء الصهريج وقم بملئه بمياه شرب نظيفة. وبعدها، أغلق الغطاء.



تحذير!

- لا تملأ خزان المياه بأى سائل آخر غير مياه الشرب والمشروبات مثل عصائر الفاكهة والمشروبات الغازية، أما المشروبات الكحولية فغير مناسبة للاستخدام في موزع المياه. سيتلف موزع المياه بشكل لا يمكن إصلاحه إذا تم استخدام هذا النوع من السوائل. ولا يشمل الضمان هذا النوع من الاستخدامات فبعض المواد الكيماوية والإضافات الموجودة في هذه السوائل/المشروبات قد تتلف مواد خزان المياه.

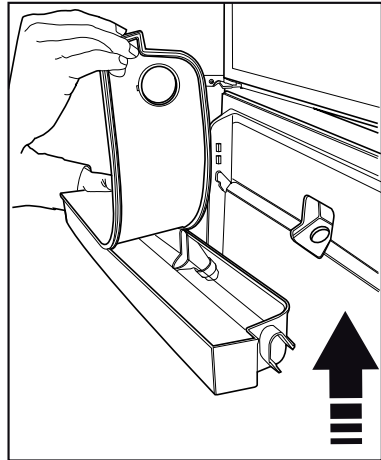
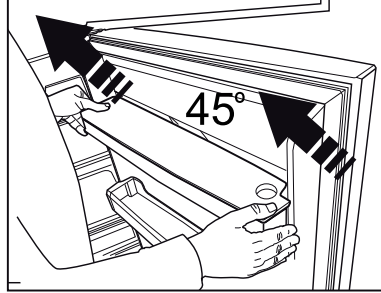
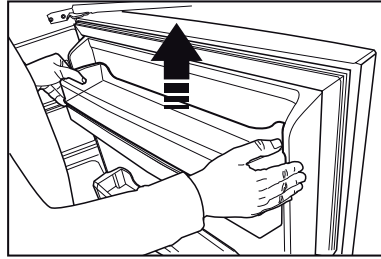
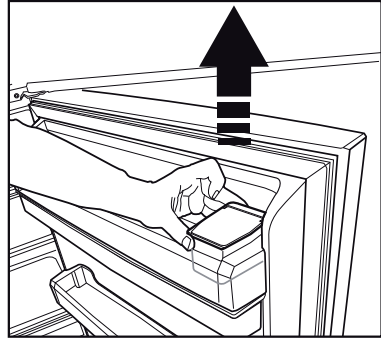
- استخدم فقط مياه شرب نقية ونظيفة.
- سعة خزان المياه 3 لتر ، لا تملأه على نحو مفرط.
- اضغط على مزلاج صنبور الماء بالكوب. إذا كنت تستخدم أكواب بلاستيكية، فاضغط على المزلاج بأصابعك من خلف الكوب.

تنظيف خزان المياه

- قم بفك صهريج تعبئة المياه داخل رف الباب.
- قم بفك رف الباب بإمساكه من كلا الجانبين.
- امسك خزان المياه من كلا الجانبين وقم بفكه بزاوية 45 درجة
- قم بتنظيف خزان المياه بفك غطاؤه.

هام:

يجب ألا يتم غسل أجزاء خزان المياه وموزع المياه في غسله الأطباق.



صندوق التخزين الدوار

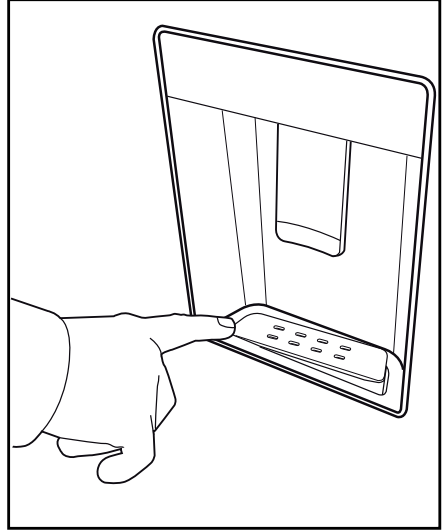
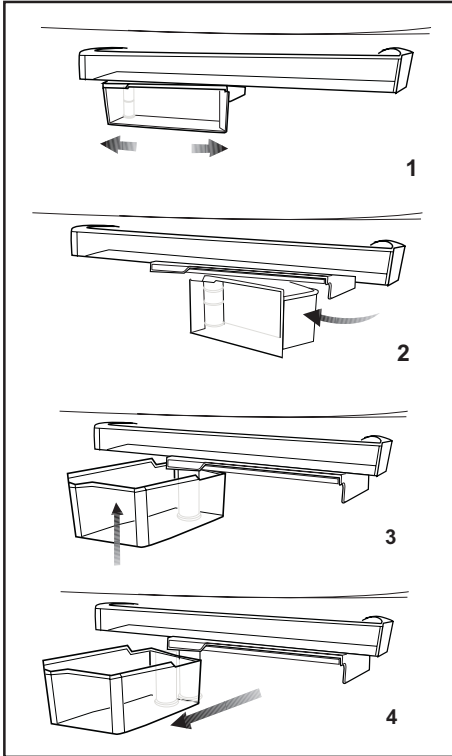
(في بعض الموديلات)

يمكن تحريك الرف المائل لليسار أو اليمين للسماح بوضع زجاجات طويلة أو العلب أو الصناديق في رف سفلي (الشكل 1).
يمكن الوصول إلى الطعام الذي وضعته في الرف من خلال جذبته وتدويره من حافته اليمنى (الشكل 2).
عندما تريد تحميله أو إخراجه لتنظيفه، أدبه بمقدار 90 درجة وارفعه واجذبه تجاهك (الشكل 3-4).

درج المياه

المياه التي تتساقط أثناء استخدام موزع المياه تتجمع في درج المياه.

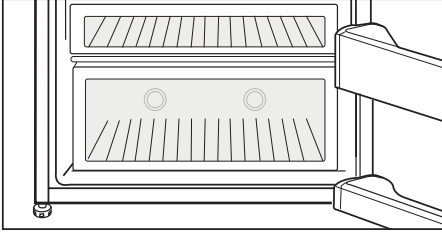
اسحب المصفاة البلاستيكية كما يظهر في الشكل.
بقطعة قماش نظيفة وجافة، قم بإزالة المياه التي تراكمت تنبيه: قم بتوصيل خط مياه شرب نقية فقط.



مصباح أزرق

(في بعض الموديلات)

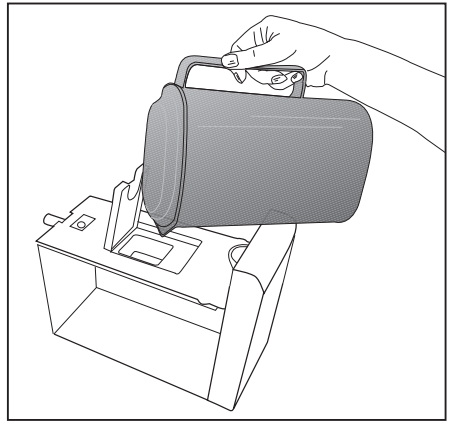
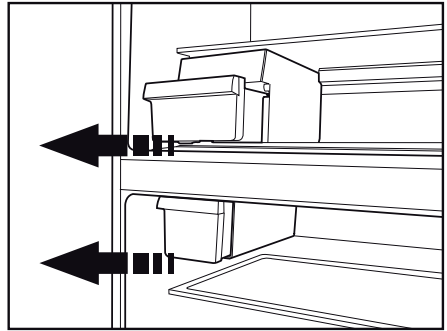
يحتفظ الطعام المخزن في الأدراج المضاءة باللون الأزرق بطازجته عن طريق تأثير طول الموجة للضوء الأزرق وبالتالي يحتفظ بطازجته ويزيد من محتويات البروتين.



التجميد التلقائي

(في بعض الموديلات)

يسمح نظام التجميد التلقائي لك بالحصول على الثلج من التلاجة بسهولة. قم بإزالة خزان المياه في مقصورة التلاجة، وامأه بالمياه وقم بتركيبه مرة أخرى للحصول على التلاجة من درج الثلج. ستكون أول مكعبات ثلجية جاهزة في خلال ساعتين تقريباً في درج الثلج الموجود في مقصورة الفريزر. إذا ملئت خزان المياه بالكامل، ستستطيع الحصول على حوالي 60-70 مكعب ثلجي. قم بتغيير المياه في خزان المياه إذا ظلت هناك لمدة 2-3 أسابيع.



حماية الأسطح البلاستيكية

ج لا تضع زيوتاً سائلة أو وجبات مطبوخة بالزيت في الثلاجة في علب غير معزولة، إذ قد تتسبب في تلف الأسطح البلاستيكية للثلاجة. في حالة انسكاب زيت أو تسربه على الأسطح البلاستيكية، نظف هذا الجزء واشطفه فوراً بماء دافئ.

- ⚠ لا تستخدم الجازولين أو البنزين أو أي مواد مشابهة لأغراض التنظيف.
- ⚠ نوصي بفصل الجهاز عن التيار الكهربائي قبل تنظيفه.
- ⚠ لا تستخدم أبداً أي مواد كاشطة، أو صابون أو منظفات منزلية أو منظفات غسيل أو شمع التلميع عند التنظيف.
- ⚠ استخدم المياه الفاترة لتنظيف صندوق الثلاجة ثم امسحه ليجف.
- ⚠ استخدم قطعة من القماش الملتوية والرطبة مع ملء ملعقة شاي من بيكربونات الصودا مضافة لجالون من الماء لتنظيف الداخل ثم يجفف.
- ⚠ تأكد من عدم دخول المياه إلى مبيت المصباح وغيره من العناصر الكهربائية.
- ⚠ إذا كانت الثلاجة لن تستعمل لفترة زمنية طويلة، فافصل كابل التيار الكهربائي ثم أفرغ جميع الأطعمة ثم نظفها وارك الباب مفتوح جزئياً.
- ⓘ قم بفحص موانع التسرب في الباب بانتظام للتأكد من سلامتهم وخلوهم من جزيئات الطعام.
- ⚠ لإزالة أرفف الباب، أخرج جميع المحتويات ثم ادفع رف الباب لأعلى بعيداً عن القاعدة.

7 استكشاف الأعطال وإصلاحها

يرجى مراجعة هذه القائمة قبل الاتصال بمركز الخدمة. فقد يوفر عليك وقتاً ومالاً. تشمل هذه القائمة الشكاوى التي لم تنتج عن عيوب صناعة أو المواد المستخدمة. قد لا تتوفر بعض الميزات الواردة في هذا الدليل في المنتج الخاص بك.

الثلاجة لا تعمل.

- الثلاجة غير متصلة بالقابس بشكل صحيح. <<< قم بتوصيل القابس بمنفذ الكهرباء بالحائط بإحكام.
- احترق منصهر القابس المتصلة به الثلاجة أو المنصهر الرئيسي. <<< افحص المنصهر.

وجود تكاثف في جانب صندوق الثلاجة (المنطقة المتعددة، التحكم في التبريد، والمنطقة المرنة).

- البيئة المحيطة باردة جداً. <<< لا تقم بتركيب الثلاجة في أماكن تقل فيها درجة الحرارة عن 10 درجة مئوية.
- باب الثلاجة ترك مفتوحاً بشكل متكرر. <<< تجنب تكرار فتح الباب وإغلاقه.
- البيئة المحيطة رطبة جداً. <<< لا تقم بتركيب الثلاجة في أماكن ذات نسبة رطوبة عالية.
- تم تخزين طعاماً يحتوي على سائل في أوعية مفتوحة. <<< لا تخزن طعاماً يحتوي على سائل في أوعية مفتوحة.
- باب الثلاجة مفتوح جزئياً. <<< أغلق باب الثلاجة.
- تم ضبط الترموستات على درجة باردة جداً. <<< اضبط وضع الترموستات إلى الدرجة المناسبة.

جهاز ضغط الهواء لا يعمل

- i** جسينصهر العازل الحراري لجهاز ضغط الهواء أثناء الانقطاع المفاجئ للتيار الكهربائي أو توصيل قابس الثلاجة بالتيار الكهربائي أو فصله، لأن ضغط الثلاجة في نظام تبريد الثلاجة لم يتوازن بعد. ستبدأ الثلاجة في العمل بعد 6 دقائق تقريباً. يُرجى الاتصال بمركز الصيانة إذا لم تبدأ الثلاجة في العمل بعد انتهاء هذه المدة.
- الثلاجة في دورة إزالة الثلج. <<< هذا أمر عادي لكل الثلاجات الأوتوماتيكية التي تزيل الثلج. تحدث عملية إزالة الثلج دورياً.
 - الثلاجة غير متصلة بالقابس. <<< تأكد أن القابس موضوع بإحكام في المقبس.
 - لم يتم ضبط درجة الحرارة بشكل سليم. <<< اختر درجة الحرارة المناسبة.
 - انقطاع التيار الكهربائي. <<< تعود الثلاجة للتشغيل الطبيعي بعد رجوع التيار الكهربائي.
- تزداد حدة ضوضاء التشغيل عند تشغيل الثلاجة.

i قد يتغير أداء الثلاجة تبعاً للتغيرات في درجة الحرارة المحيطة بالثلاجة. وهذا طبيعي ولا يعد ذلك عيباً.



- قد يكون عرض الثلاجة الجديدة أكبر من عرض الثلاجة القديمة. الثلاجات الكبيرة تعمل لفترات أطول. قد تكون درجة حرارة المكان مرتفعة. << من الطبيعي أن يتم تشغيل المنتج لفترات أطول في الأماكن ذات درجة الحرارة المرتفعة.
- الثلاجة متصلة بالتيار الكهربائي أو تم تحميلها بالطعام مؤخرًا. << عندما تكون الثلاجة متصلة بالتيار الكهربائي أو تم تحميلها بالطعام مؤخرًا، فستأخذ وقتًا أطول للوصول إلى درجة الحرارة المضبوطة. هذا شيء طبيعي.
- قد تكون هناك كميات كبيرة من الطعام الساخن تم وضعها في الثلاجة مؤخرًا. << لا تضع الأطعمة الساخنة بالثلاجة.
- قد تكون الأبواب مفتوحة بصورة متكررة أو مفتوحة جزئيًا لفترة طويلة. << يتسبب الهواء الساخن الذي دخل الثلاجة في تشغيل الثلاجة لفترة أطول. تجنب تكرار فتح الباب.
- قد يكون باب صندوق الفريزر أو الثلاجة مفتوح جزئيًا. << تأكد أن الأبواب مغلقة تمامًا.
- تم ضبط الثلاجة على درجة باردة جدًا. << اضبط درجة حرارة الفريزر على درجة أعلى وانظر حتى تصل إلى درجة الحرارة المطلوبة.
- قد يكون عازل باب الثلاجة أو الفريزر متسخًا أو باليًا أو متهتكًا أو مثبت بطريقة غير صحيحة. << نظف العازل أو استبدله، لأن العازل التالف أو المتهتك يتسبب في أن تعمل الثلاجة لفترات أطول للحفاظ على درجة الحرارة الحالية.

درجة حرارة الفريزر منخفضة جدًا بينما درجة حرارة الثلاجة غير كافية.

- تم ضبط الفريزر على درجة باردة جدًا. << اضبط درجة حرارة الفريزر على درجة أعلى ثم تأكد ثانية.

درجة حرارة الثلاجة منخفضة جدًا بينما درجة حرارة الفريزر غير كافية.

- تم ضبط الثلاجة على درجة حرارة باردة جدًا. << اضبط درجة حرارة الثلاجة على درجة أعلى ثم تحقق ثانية.

تجمد الطعام المحفوظ في أدراج صندوق الثلاجة.

- تم ضبط الثلاجة على درجة حرارة عالية جدًا. << اضبط درجة حرارة الثلاجة على درجة أعلى ثم تحقق ثانية.

درجة حرارة الثلاجة أو الفريزر عالية جدًا.

- تم ضبط الثلاجة على درجة حرارة عالية جدًا. << يؤثر ضبط درجة حرارة الثلاجة على درجة حرارة الفريزر. قم بتغيير درجة حرارة الثلاجة أو الفريزر حتى تصل إلى درجة الحرارة المطلوبة لكلا الصندوقين.
- قد تكون الأبواب مفتوحة بصورة متكررة أو مفتوحة جزئيًا لفترة طويلة. << تجنب تكرار فتح الباب.
- الباب مفتوح جزئيًا. << أغلق الباب تمامًا.
- الثلاجة متصلة بالتيار الكهربائي أو تم تحميلها بالطعام مؤخرًا. << هذا شيء طبيعي. عندما تكون الثلاجة متصلة بالتيار الكهربائي أو تم تحميلها بالطعام مؤخرًا، فستأخذ وقتًا أطول للوصول إلى درجة الحرارة المضبوطة.
- قد تكون هناك كميات كبيرة من الطعام الساخن تم وضعها في الثلاجة مؤخرًا. << لا تضع الأطعمة الساخنة بالثلاجة.

اهتزازات أو ضوضاء.

- الأرض ليست مستوية أو قوية. << إذا كانت الثلاجة تهتز أثناء تحريكها قليلًا، فقم بضبط توازنها من خلال ضبط أرجلها. تأكد من أن الأرض قوية بما يكفي لتحمل الثلاجة ومستوية.
- قد يصدر صوت من الأشياء الموضوعة على الثلاجة << قم بإبعاد الأشياء الموجودة عليها.

توجد ضوضاء صادرة من الثلاجة مثل صوت انسكاب سائل أو تناثره.

i تنساب السوائل والغازات وفقًا لقواعد تشغيل الثلاجة. وهذا طبيعي ولا يعد ذلك عيبًا.

سماع صوت صفارة صادر من الثلاجة.

i تستخدم المراوح لتبريد الثلاجة. وهذا طبيعي ولا يعد ذلك عيبًا.

وجود تكاثف في الحوائط الداخلية للثلاجة.

i يزيد الطقس الحار والرطب من التلجيج والتكاثف. وهذا طبيعي ولا يعد ذلك عيبًا.

- قد تكون الأبواب مفتوحة بصورة متكررة أو مفتوحة جزئيًا لفترة طويلة. << تجنب تكرار فتح الباب. أغلق الأبواب إذا كانت مفتوحة.
- الباب مفتوح جزئيًا. << أغلق الباب تمامًا.

تحديث الرطوبة في الإطار الخارجي للثلاجة أو بين الأبواب.

i قد تكون هناك رطوبة في الهواء وهذا طبيعيًا في الجو الرطب. وعندما تكون الرطوبة أقل؛ يختفي التكثف.

توجد رائحة كريهة داخل الثلاجة.

- لم يتم التنظيف بشكل دوري. << نظف داخل الثلاجة بانتظام مستخدماً قطعة أسفنجية وماء دافئ أو ماء مكرين .
- قد تتسبب بعض الأوعية أو مواد التعبئة في هذه الرائحة. << استخدم وعاء مختلف أو مواد تعبئة مختلفة .
- تم وضع الأطعمة بالثلاجة في أوعية بدون غطاء. << يجب حفظ الأطعمة في أوعية مغطاة. حيث قد تتسبب الكائنات الدقيقة الصادرة عن الأطعمة غير المغطاة في انبعاث روائح كريهة .



ينبغي عدم الاحتفاظ بالأطعمة منتهية الصلاحية والأطعمة الفاسدة في الثلاجة.

الباب لا يغلق.

- معلبات الطعام تمنع إغلاق الباب. << غير وضع عبوات الطعام التي تعيق الباب .
- الثلاجة ليست موضوعة بشكل رأسي كامل على الأرض. << قم بتعديل الأرجل لضبط اتزان الثلاجة .
- الأرض ليست مستوية أو قوية. << تأكد من أن الأرض مستوية وتحمل الثلاجة .

الأدراج عالقة.

- قد يكون الطعام ملامساً لسقف الدرج. << أعد ترتيب وضع الطعام في الدرج بحيث لا يعوق حركته .

48 8848 0000/AB
EN-FR-FA-AR

Free Manuals Download Website

<http://myh66.com>

<http://usermanuals.us>

<http://www.somanuals.com>

<http://www.4manuals.cc>

<http://www.manual-lib.com>

<http://www.404manual.com>

<http://www.luxmanual.com>

<http://aubethermostatmanual.com>

Golf course search by state

<http://golfingnear.com>

Email search by domain

<http://emailbydomain.com>

Auto manuals search

<http://auto.somanuals.com>

TV manuals search

<http://tv.somanuals.com>