

# Q™ and S™ Series

## MIG Gun Configurator

Issued March 2008 • Index No. QSCON-1.3

**S300 MIG S-Gun** with Oxo® style small curved handle, medium 45° rotating neck and standard trigger.



**Q400 MIG Q-Gun** with curved handle, medium 45° rotating neck and standard trigger.

See amperage specific Q-Gun spec sheets for ratings and replacement parts.

### All Guns are Not Created Equal.

A MIG gun should be durable, easy to use and customized to your specific application. Our MIG guns put you in control: you choose the options you need and we'll build a gun to last. We even ship most of our guns within 24 hours.

MIG gun configurator allows easy, precise customization of just the right Q-Gun or S-Gun for your welding job.

Amperage ratings at 100% duty cycle with CO<sub>2</sub> gas: 150, 200, 300, 400, 500 and 600 amps.

Power cables available with high flex standard or steel monocoil conduits and in lengths to fit any application.

Multiple lightweight, comfortable handle and easy-to-change trigger options allow guns to be performance matched to user preference.

Necks available in fixed, rotatable and numerous length options to improve operator comfort.

Contact tip options include Centerfire™, Elliptical and Quik Tip™ and are available in wire sizes from .023" (0.6 mm) to 1/8" (3.2 mm).

Direct plugs and trigger leads connect to wire feeders and machines from all major manufacturers and are easily interchangeable to allow simple maintenance.

Made with  
Pride and without  
Compromise in the **USA**

### Bernard®

An Illinois Tool Works Company  
449 West Corning Road, Box 667  
Beecher, Illinois 60401 USA

Phone: 800-946-2281 (US Only) 708-946-2281 (Outside US)  
Fax: 708-946-6726  
For more information, visit us at [BernardWelds.com](http://BernardWelds.com)

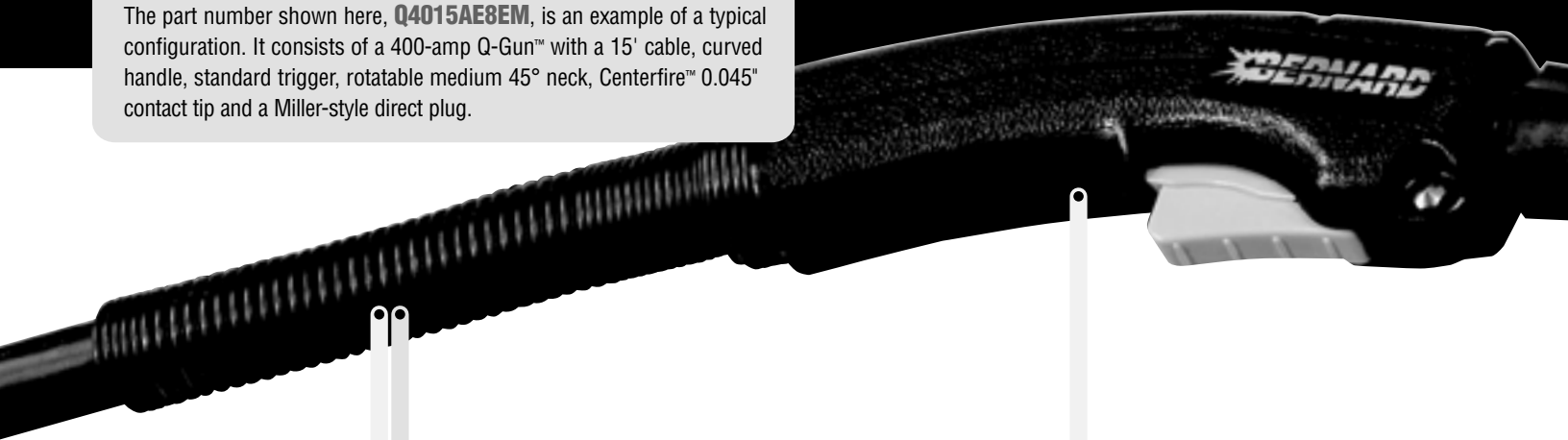
**BERNARD**®

Download from [Www.Somanuals.com](http://Www.Somanuals.com). All Manuals Search And Download.

# Time to Choose

## Q-Gun™ Part Number

The part number shown here, **Q4015AE8EM**, is an example of a typical configuration. It consists of a 400-amp Q-Gun™ with a 15' cable, curved handle, standard trigger, rotatable medium 45° neck, Centerfire™ 0.045" contact tip and a Miller-style direct plug.



**Q40**

**15**

**A**

### Amp and Cable Type


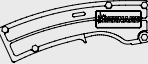
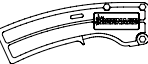

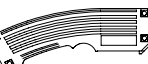
<b>Q15</b>	150 amp max. wire size: .045" (1.2 mm)
<b>Q20</b>	200 amp max. wire size 1/16" (1.6 mm)
<b>Q30</b>	300 amp max. wire size: 5/64" (2.0 mm)
<b>Q40</b>	400 amp max. wire size: 5/64" (2.0 mm)
<b>Q50</b>	500 amp max. wire size: 3/32" (2.4 mm)
<b>Q60</b>	600 amp max. wire size: 1/8" (3.2 mm)
<b>S30</b>	300 amp Steel "Monocoil" max. wire size: 5/64" (2.0mm)
<b>S40</b>	400 amp Steel "Monocoil" max. wire size: 5/64" (2.0mm)
<b>S50</b>	500 amp Steel "Monocoil" max. wire size: 3/32" (2.4 mm)
<b>S60</b>	600 amp Steel "Monocoil" max. wire size: 1/8" (3.2 mm)

Combine Steel Monocoil cable with OXO style handle and QuikTip for gun similar to former OXO APX gun.

### Cable Length

<b>08</b>	8 ft (2.44 m)
<b>10</b>	10 ft (3.05 m)
<b>12</b>	12 ft (3.66 m)
<b>15</b>	15 ft (4.57 m)
<b>20</b>	20 ft (6.16 m)
<b>25</b>	25 ft (7.63 m)

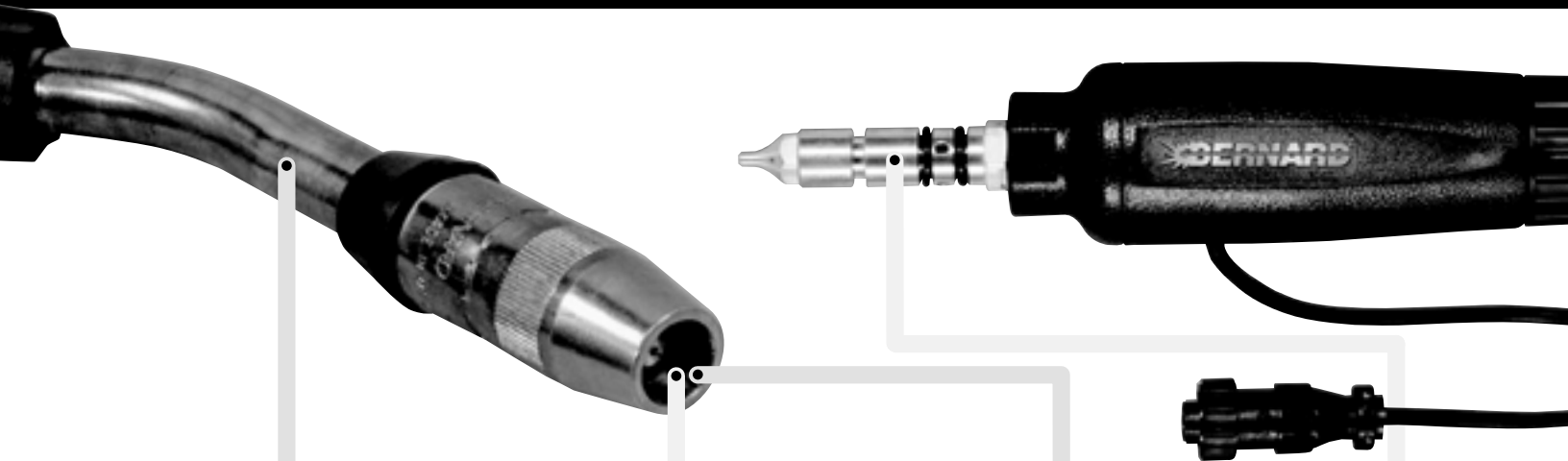
### Handle and Trigger

	<b>150 Amp</b>	<b>A</b>	Standard Trigger
	<b>200, 300 Amp</b>	<b>A</b>	Standard Trigger
	<b>Curved Handle</b>	<b>B</b>	Locking Trigger
	Standard Cable	<b>C</b>	Dual Pull Trigger
	<b>400 Amp</b>	<b>A</b>	Standard Trigger
	<b>Curved Handle</b>	<b>B</b>	Locking Trigger
	Standard Cable	<b>C</b>	Dual Pull Trigger
		<b>D</b>	Dual Schedule Switch
		<b>E</b>	Dual Schedule Switch w/ Lock
	<b>*150-400 Amp</b>	<b>T</b>	Standard Trigger
	<b>OXO Style Small Curved Handle</b>	<b>U</b>	Locking Trigger
	Standard or Steel Monocoil		
	<b>*400-600 Amp</b>	<b>G</b>	Standard Trigger
	<b>OXO Style Large Curved Handle</b>	<b>H</b>	Locking Trigger
	Standard or Steel Monocoil	<b>I</b>	Dual Pull Trigger
		<b>K</b>	Dual Schedule Switch
		<b>L</b>	Dual Schedule Switch w/ Lock

\*Only OXO style handle options can be used with Steel Monocoil power cable.



# Your Weapon.



E

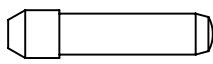
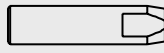
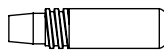
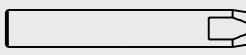
8

E

M

Neck			
A	Rotatable, Short	30°	QT2-30
B	Rotatable, Short	45°	QT2-45
C	Rotatable, Short	60°	QT2-60
J	Rotatable, Short	80°	QT2-80
D	Rotatable, Medium	30°	QT3-30
E	Rotatable, Medium	45°	QT3-45
F	Rotatable, Medium	60°	QT3-60
K	Rotatable, Medium	80°	QT3-80
G	Rotatable, Long	30°	QT5-30
H	Rotatable, Long	45°	QT5-45
I	Rotatable, Long	60°	QT5-60
N	Fixed, Short	30°	QT2-30
O	Fixed, Short	45°	QT2-45
P	Fixed, Short	60°	QT2-60
W	Fixed, Short	80°	QT2-80
Q	Fixed, Medium	30°	QT3-30
R	Fixed, Medium	45°	QT3-45
S	Fixed, Medium	60°	QT3-60
X	Fixed, Medium	80°	QT3-80
T	Fixed, Long	30°	QT5-30
U	Fixed, Long	45°	QT5-45
V	Fixed, Long	60°	QT5-60

Typically selected necks by amperage:  
 150 - 200 amp QT2-45  
 300 - 400 amp QT3-45  
 500 - 600 amp QT5-60

Contact Tip	
8	Centerfire™ 
7	Elliptical, 7400 series, 1.25" long, std. 
5	QuikTip™ 
1	Elliptical, 1500 series, 2.00" long, HD 

Wire Size	
A	.023" (0.6 mm)
B	.030" (0.8 mm)
C	.035" (0.9 mm)
D	.039" (1.0 mm)
E	.045" (1.2 mm)
H	.052" (1.4 mm)
I	1/16" (1.6 mm)
K	5/64" (2.0 mm)
L	3/32" (2.4 mm)
M	7/64" (2.8 mm)
N	1/8" (3.2 mm)
Aluminum Wire Size	
Q	.035" (0.9 mm)
R	3/64" (1.19 mm)
S	1/16" (1.6 mm)

Direct Plug	
B	Bernard®
E	Euro®
H	Hobart®
L	Lincoln®
M	Miller®
N	National®
O	OXO®
S	Tweco® 4 (Lincoln lead)
T	Tweco® 4 (std. lead)
U	Tweco® 4 (two prong twist-lock lead)
W	Tweco® 5 (std. lead)

See back page for help selecting direct plug.

Amp	Centerfire™ Tips		Elliptical Tips		Quik Tips™		
	Diffuser	Nozzle	Diffuser (7400 series tip)	Diffuser (1500 series tip)	Nozzle	Diffuser	Nozzle
150 amp	DS-1	NS-1200B	4335-116	4235-116	4392	D118Q	N1C58Q
200 amp	DS-1	NS-1218B	4335-116	4235-116	4392	D118Q	N1C58Q
300 amp	DS-1	NS-5818C	4335-116	4235-116	4393	D118Q	N1C58Q
400 amp	D-1	N-5818C	4435	4635-116	4591	D118Q	N1C58Q
500 amp	D-1	N-5814C	4435	4635	4591HD	D114Q	N1C34HQ
600 amp	D-1	N-3414C	4435	4635	4591HD	D114Q	N1C34HQ

Bernard Q-Guns and S-Guns are fitted at the factory with the diffusers and nozzles in the table above.

# Direct Plug Options That Work

## Get the right connection to fit your wire feeder

Below is a list of wire feeders that connect with Bernard Q-Gun and S-Gun direct plugs. Feeder connections not listed here can often be addressed by the wide variety of available Bernard adapter kits. Contact us for more information.

Direct Plug	Manufacturer	Model
<b>B Bernard®</b>	Adapts to most feeder makes and models. Examples below. Refer to <i>Bernard EZ Feed Quick Connect Feeder End Kits Ordering Guide</i> for more information.	
	Miller®	10 Series, 10E, 30 Series, 30A, 30B, 30E, 70 Series, 70A, 80 Series, 80A, MM10A, XRA; with <i>Bernard Adapter Kit 4983</i> Migman 105; with <i>Bernard Adapter Kit 4920G</i> 35S, MM35S (with 3/4" bore only); with <i>Bernard Adapter Kit 4970F</i> MM35 (with 3/8" bore only); with <i>Bernard Adapter Kit 4970F</i>
	OTC®	Most models, including CM-145, CM-146, CM-147, CM-231, CM-747, DynaAuto; with <i>Bernard Adapter Kit 4820P</i> CMUS-511; with <i>Bernard Adapter Kit 4820G</i>
	<b>E Euro</b>	All Models
<b>E</b>	CEA® (USA & Europe)	EuroFil 210, MaxiCompact 300, Monofil 201, Monofil 251 Migmate, TE 904RC, TR 80, TR 90, WF 104
	Cebora®	Jaguar 181, Jaguar 203, Jaw Feed, MIG 175, MIG 253C
	CEMIG®	PD10, PD20, PD30
	Cemont®	MX 200S, WX 170S
	ESAB®, Airco®, L-Tec®	ME-2, MigMaster 180, DigiMIG Dual, DigiPlus, DigiPulse, Dip/Stick 160, DipPak 250, DipPak 300, Med 20, Med 40, MIGhty, MIGhty 4HD, MIGhty V, Universal V, MIG 2E, MIG 4HD, MigMaster 250, MigMaster 300L
	Esseti®	Macro 350, Macro 400, Macro 500, MT 1, MT 2, Unimacro 500
	Gelco®	All Models
	Hansen Mig®	HH0250
	Lincoln®	SP250, SP253
	Nu-Tecsys® Corp	Omni Mig, OMNI-MIG160, OMNI-MIG325
	Thermal Arc®	TAF-2, TAF-4
	Trexim Sri®	MidiMig 140
	<b>H Hobart®</b>	Hobart®
<b>L Lincoln®</b>	Lincoln®	LN-23-P, LN-25, LN-7 (2 & 4 Drive), LN-742, LN-742H, LN-9, LN-9 GMA, Synergic 7
<b>M Miller®</b>	Hobart®	IronMan 210, IronMan 250
	Miller®	Most models including: 60M, Cricket, Cricket XL, D-60, D-62, D-64; Millermatic 120, 130, 135, 150, 175, 185, 210, 250, 250MP, 90, Vintage; R-115, S-21E, S-22A, S-22P-12, S-22P8, S-300 Series (S-325), S-32P, S-32P-12, S-32P-8, S-32S, S-32SL, S-44GL, S-50 Series, S-60 Series, S-70 Series, Sidekick, Sidekick XL, Suitcase Feeders, SwingArcs
	<i>Does not fit:</i>	<i>10 Series, 10E, 30 Series, 30A, 30B, 30E, 35, 35S, 70 Series, 70A, 80 Series, 80A, Migman 105, MM10A, MM35, MM35S, XRA (See Bernard Direct Plug for adaptor options)</i>
	Olympic®	22-P, VS
<b>N National®</b>	Kobelco®	All Models
	National®	Most models
	Panasonic®	All Models

Direct Plug	Manufacturer	Model
<b>O OXO®</b>		AVC-8Q, AVC-30Q
<b>S TWECO® 4</b> (Lincoln® style lead)	Lincoln®	DH-10*, LN-10*, Power Feed 10*, Power Feed 10 Dual*, PRO 10*, STT10
	ESAB®	MobileMaster
<b>T TWECO® 4</b> (with 1/4" male spade leads)	Hobart®	Model 17, Digital 2000, Digital 2200 series, Migit 17, 2410, Beta-Mig 250, BetaMig 251, Dual-Digital, HMC-140, PortaFeed 1000, Pro Feed 412, Ultra Feed 1000, Beta-Mig 170, HMC-410, PortaFeed 17, Ultra-Feed 1000, Porta-Wire CC/CV
	Lincoln®	SP85, SP100, SP100T, SP125T, SP130T, SP160, SP170T, MigPak 10 and 55, WeldPak 100 PowerMig 255 and 300, SP 170, Wirematic 250 and 255, WeldPack 100
	OTC®	CMUS-511
	Pow Con®	PDP 1, PDVS1, Power Drive 1E
	Systematics®	FW112 (Air Products®)
	Thermal Arc®	180 GM, 210 GM, 250 GM, Digital 2000, Dual Digital 2000
<b>U TWECO® 4</b> (two prong twist-lock lead)	ESAB® NAS	MultiMaster 260, DuraDrive 4-30, DuraDrive 4-48
<b>W TWECO® 5</b> (with 1/4" male spade leads)		Feeders adapted to TWECO® style 3/4 dia power pin.

\* Feeder manufacturer offers different gun receiver bushings that will change the direct plug required. Please call for more information.

Supplemental technical information for Bernard direct plugs can be found in the *Direct Plug Kits Spec Sheet*.

Bernard® is the registered trademark of Illinois Tool Works Inc. Other brands mentioned are for reference only and are the registered trade marks of their respective companies. Illinois Tool Works Inc. is not affiliated with these other companies.



449 West Corning Road, Box 667  
Beecher, IL 60401-0667 USA

Phone (US Only): 800-946-2281  
Phone (Outside US): 708-946-2281  
Fax: 708-946-6726

Web Site: [www.bernardwelds.com](http://www.bernardwelds.com)  
E-mail: [info@bernardwelds.com](mailto:info@bernardwelds.com)  
Order Tracking: [www.myweldorder.com](http://www.myweldorder.com)

## Free Manuals Download Website

<http://myh66.com>

<http://usermanuals.us>

<http://www.somanuals.com>

<http://www.4manuals.cc>

<http://www.manual-lib.com>

<http://www.404manual.com>

<http://www.luxmanual.com>

<http://aubethermostatmanual.com>

Golf course search by state

<http://golfingnear.com>

Email search by domain

<http://emailbydomain.com>

Auto manuals search

<http://auto.somanuals.com>

TV manuals search

<http://tv.somanuals.com>