

# Installation, Service and User Instructions (instruction en francais page 12)

Built-in gas hotplates **BERTAZZONI**



DIMENSIONS: 33 7/8" (860 mm)(W) x 19 2/3" (500 mm)(D)

**Models P34 5 00 X [P910..T4X5D]**

**IMPORTANT: SAVE FOR LOCAL ELECTRICAL INSPECTOR'S USE.  
READ AND SAVE THESE INSTRUCTIONS FOR FUTURE REFERENCE.  
OBSERVE ALL GOVERNING CODES AND ORDINANCES.**

**In Massachusetts:** All gas products must be installed by a "Massachusetts" license plumber or gasfitter. A "T" handle type manual gas valve must be installed in the gas supply line to this appliance.

**WARNING:** If the information in this manual is not followed exactly, a fire or explosion may result causing property damage, personal injury or death.

Do not store or use gasoline or other flammable vapors and liquid in the vicinity of this or any other appliance.

#### **WHAT TO DO IF YOU SMELL GAS**

- Do not try to light any appliance.
- Do not touch any electrical switch.
- Do not use any phone in your building.
- Immediately call your gas supplier from a neighbor's phone. Follow the gas supplier's instructions.
- If you cannot reach your gas suppliers, call the fire department.

Installation and service must be performed by a qualified installer, service agency or the gas supplier.

Read this instruction booklet before installing and using the appliance.

**The manufacturer will not be responsible for any damage to property or to persons caused by incorrect installation or improper use of the appliance.**

The manufacturer reserves the right to make changes to its products when considered necessary and useful, without affecting the essential safety and operating characteristics.

**This appliance has been designed for non-professional, domestic use only.**



#### **WARNING**

NEVER use this appliance as a space heater to heat or warm the room. Doing so may result in carbon monoxide poisoning.

**Cod.310177**

## INDEX:

Installation manual.....	pag.2
Inserting the hotplate.....	pag.3
Requirements.....	pag.3-4
Attaching the hotplate.....	pag.4
Gas connection.....	pag.4-5-6
Electrical connection.....	pag.6
Wiring diagrams.....	pag.6
Instructions for assembly of load bearing bottom protection.....	pag.6-7
Room ventilation.....	pag.7
Location and venting.....	pag.7
Replacement of nozzles.....	pag.7
Regulation of burners.....	pag.8
Service & maintenance instructions.....	pag.8
User instructions.....	pag.9
Descriptions.....	pag.9
Using burners.....	pag.9-10
Cleaning the appliance.....	pag.10

## Installation manual

**This appliance shall only be installed by an authorized person. This appliance shall be installed in accordance with the manufacturers installation instructions, IMPORTANT: this appliance must be installed in accordance with the norms in force of the country concerned.**

**The installation of this appliance must conform to local codes and ordinances. In the absence of local codes, Installations must conforms to American National Standards, *National Fuel Gas Code ANSI Z223.1 – latest edition\*\* or B149.1.***

**If local codes permit, a flexible metal appliance connection with the new AGA or CGA certified design, max. 5 feet (1,5 m) long, 1/2" I.D. recommended for connecting this cooktop to the gas supply line. Do not bend or damage the flexible connector when moving the cooktop. The pressure regulator has 1/2" female pipe thread. You will need to determine the fitting required, depending on the size of your gas supply line, the flexible metal connector and the shutoff valve.**

**The appliance, when installed, must be electrically grounded in accordance with local codes or, in the absence of local codes, with the *National Electrical Code, ANSI/NFPA 70.***

**The appliance and its individual shutoff valve must be disconnected from the gas supply piping system any pressure testing of that system at test pressure in excess of 1/2 psi (3,5 kPa).**

**The appliance must be isolated from the gas supply piping system by closing its individual manual shutoff valve during any pressure testing of the gas supply piping system at test pressures equal to or less than 1/2 psi (3.5 kPa).**

**For use with a pressure regulator. The regulator supplied must be used with this appliance.**

**The gas appliance pressure regulator must be set for the gas with which the appliance is used.**

**This appliance can be used with Natural Gas and LP Gas. It is shipped from the factory adjusted for use with Natural Gas: CONVERSION FIXED ORIFICES ARE LOCATED IN THE LITERATURE PACK SUPPLIED WITH THE UNIT.**

**Injectors kit for the change of type of gas are contained inside the package jointly with the hob installation kit and Instruction booklet.**

**The maximum inlet gas supply pressure incoming to the gas appliance pressure regulator is 20" water column (5 kPa) .**

**The minimum gas supply pressure for checking the regulator setting shall be at least 1" w.c. (249 Pa) above the inlet specified manifold pressure to the appliance (this operating pressure is 4" w.c. (1.00 kPa) for Natural Gas and 11" w.c. (2.75 kPa) for LP Gas).**

**ATTENTION: A manual valve shall be installed in an accessible location in the gas line external to the appliance for the purpose of turning on or shutting off gas to the appliance**

**WARNING: Do not use aerosol sprays in the vicinity of this appliance while it is in operation**

## Inserting the hotplate

After having removed the various loose parts from the internal and external packing, make sure that the hotplate is not damaged and is suitable for the specific gas usage. The gas type label is on the underside of the hotplate base.

In case of doubt, do not use the appliance and contact skilled personnel.

Keep all the packing parts (polystyrene foam, cardboard, staples, etc.) away from children.

Consider the critical dimensions of the appliance, before making an opening in the top surface of the bench top. (relative measurements as per Fig 1- 2).

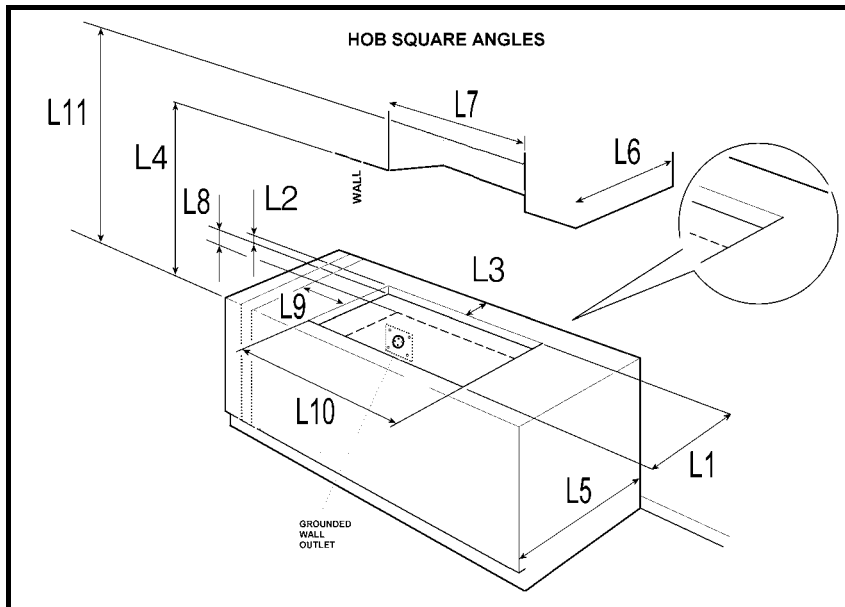


fig.1

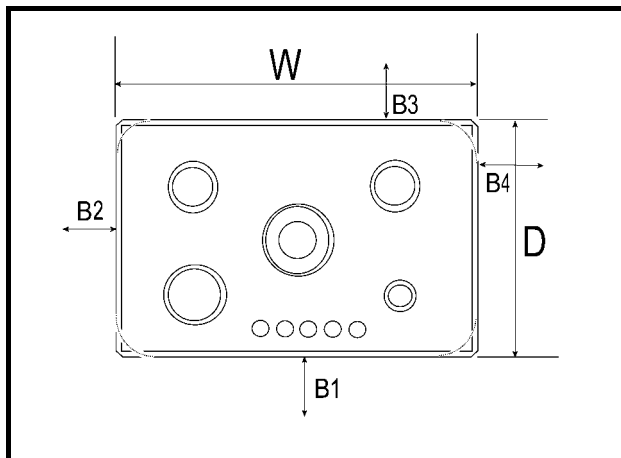


fig. 2

## Requirements

### 1. Overhead clearances (Minimum values)

The minimum overhead clearances shall be in accordance with the minimum values indicated in the table n.1 and are shown and in the fig. 1- 2

Range hoods and exhaust fans shall be installed in accordance with the manufacturer's instructions. However, in no case shall the clearance between the top of the highest burner of the cooking appliance and the range hood be less than 30" ( 762mm). See Fig. 1- 2.

Any other downward facing combustible surface less than 600mm above the top of the highest burner shall be protected for the full width and depth of the cooking surface area.

However, in no case shall this clearance to any surface be less than 17<sup>3</sup>/<sub>4</sub>"(450mm.)

Maximum depth for the overheads cabinet is 13" (330mm)

## 2. Side clearances (Minimum values)

The different side clearances shall be in accordance with the minimum values indicated in the table n.1 and are shown and in the fig. 1

The cooking surface area is defined as that part of the appliance where cooking normally takes place and does not include those parts of the appliance containing control knobs.

Table n.1

<i>Min. Clearances</i>	<i>inches (mm)</i>
<b>L1</b>	18 7/8" (480)
<b>L2</b>	1 9/16" (40)
<b>L3</b>	3 3/8" (86)
<b>L4</b>	18" (457)
<b>L5</b>	24" (610)
<b>L6</b>	13" (330)
<b>L7</b>	33 7/8" (860)
<b>L8</b>	3/4" (20)
<b>L9</b>	3 15/16" (100)

<i>Min. Clearances</i>	<i>inches (mm)</i>
<b>L10</b>	33" (840)
<b>L11</b>	32" (813)
<b>W</b>	33 7/8" (860)
<b>D</b>	19 2/3" (500)
<b>B1 (*)</b>	1 3/8" (35)
<b>B2 (*)</b>	3 1/2" (90)
<b>B3 (*)</b>	3" (76)
<b>B4 (*)</b>	3 1/2" (90)
<b>R</b>	5 1/8" (135)

(\*) Note:

- B1 is the min. clearance between the front edge of the appliance and the front edge of the cabinet.
- B2 and B4 are the min. clearance between the left/right side edge of the appliance and the side wall (if present).
- B3 is the min. clearance between the back edge of the appliance and the back wall.

## Attaching the hotplate

To prevent liquids from leaking accidentally into the underlying storage space, the appliance is equipped with a special gasket. To apply this gasket, carefully follow the instructions in Fig. 3. Lay out the protective sealing strips along the edges of the opening in the bench top and carefully overlap the strip end. (See Fig. 3). insert the hotplate into the bench top opening. With a screwdriver assemble the brackets A to the hotplate bottom by means of the screws B. (See Fig. 4). Slide the hooks into position and secure them with the screws. Trim the part of the sealing strips which extend beyond the hotplate base

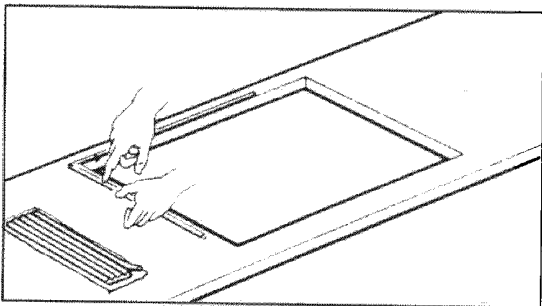


fig.3

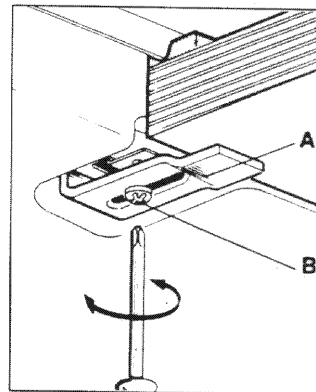


fig.4

## Gas connection

**Before connecting the appliance to the gas supply, first remove the plastic plug on which is press-fitted into the gas inlet union; to remove, just pull it off.**

1. Check the 'gas type' sticker attached to the hotplate. Details of the injector sizes used are recorded on the data plate located on the base of the appliance.
2. This appliance shall be installed in accordance with installation requirements of the local gas authority of the appropriate installation code.
3. Before installing the hotplate consider the location of the gas supply and routing the gas line.(Refer fig.5B)

4. For LPG models the gas supply is connected to the regulator which is supplied loose. The inlet connection has a 1/2" B.S.P. male thread. IT IS ESSENTIAL THAT THE ELBOW ON THE APPLIANCE BE HELD FIRMLY WITH A SPANNER WHEN CONNECTING THE SUPPLY. DO NOT OVER TIGHTEN. The regulated pressure For LPG is 11" w.c. (See Fig. 5A).

5. For NG models the gas supply is connected to the regulator which is supplied loose. The inlet connection has a 1/2" B.S.P. male thread. IT IS ESSENTIAL THAT THE ELBOW ON THE APPLIANCE BE HELD FIRMLY WITH A SPANNER WHEN CONNECTING THE SUPPLY. DO NOT OVER TIGHTEN. The regulated pressure For NG is 4" w.c. (See Fig. 5A).

6. For gas inlet position of appliance refer Fig 5A and 5B. After installing the gas supply and making all connections check thoroughly for possible leaks. Turn all control knobs on the unit to 'OFF' position. Open the valve on the gas supply. Using a soap and water solution check each gas connection one at the time, by brushing the solution over the connection. Presence of bubbles will indicate a leak. Tighten the fitting and re-check for leaks. If it is not possible to correct the leak, replace fitting. Under no circumstances use matches or flame for checking leaks.

It is essential that the gasket and the pressure test point stopper are properly installed to avoid gas leakage

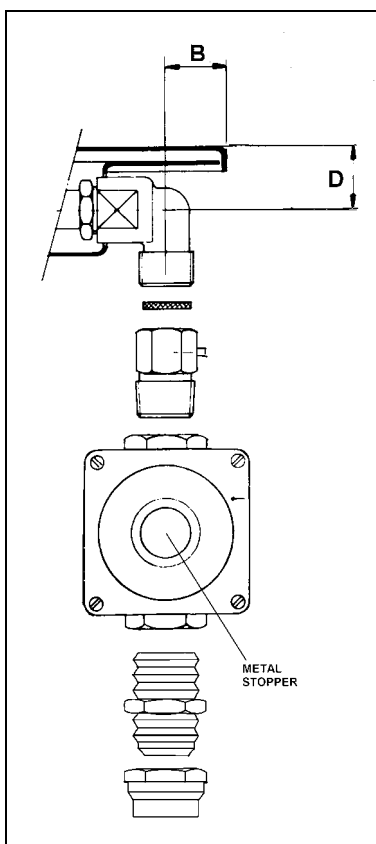


Fig.5A

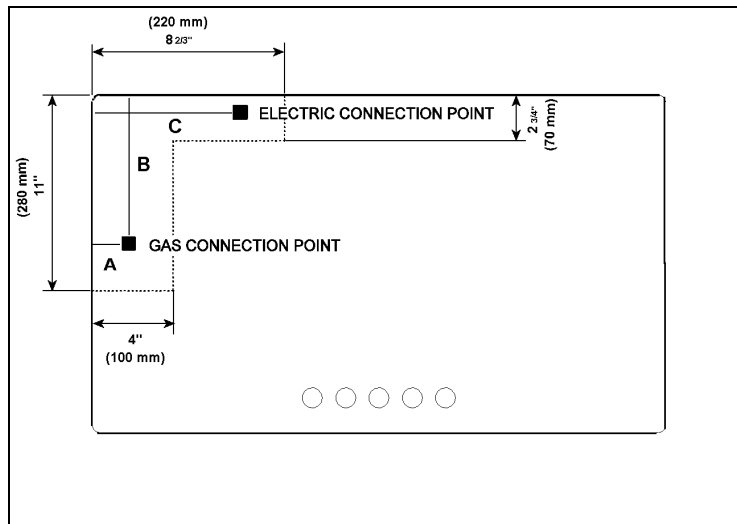


Fig.5B

	Inches	mm
<b>A</b>	1 9/16"	45
<b>B</b>	8 1/4"	210
<b>C</b>	8 1/2"	215
<b>D</b>	1/8"	22

7. To checking inlet pressure at the appliance operate as follow:

- a) **Disconnect electric power before pressure checking be carried out.**
- b) Take off one of the gas burner cap and the relative flame spreader in order to get access to the burner injector.
- c) Put in position the pressure detector directly on the burner injector afterward open the relative burner knob at maximum position keeping it pressed, then measure the outlet pressure from the burner injector.
- d) Once the pressure checking has been carried out, replace the burner cap and flame spreader in the correct and original position and re-connect electric power to the appliance.

8. Turn on appliance control cock and light each burner. Check for a clear blue flame without yellow tipping. If burners show any abnormalities check that they are located properly and in line with the injector nipple.

9. Sometimes the burners will not ignite immediately and seem to 'blow' slightly when they do ignite. This usually due to air in the gas lines, which will clear itself within seconds.

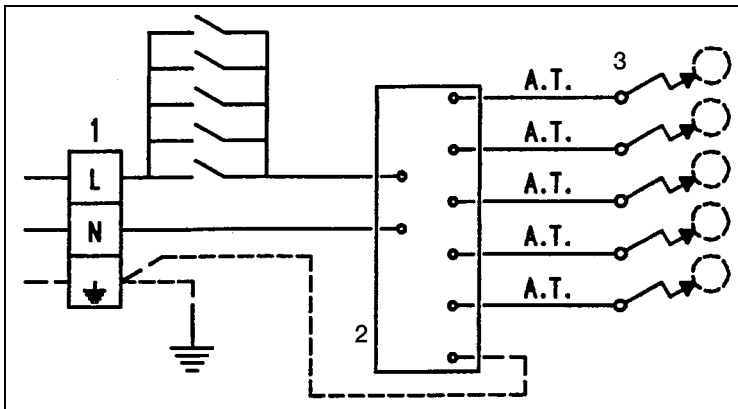
10. If after following the instructions given, satisfactory performance cannot be obtained, contact the local gas authority for advice and assistance.

### Electrical connection

The connection of the hobs to mains is effected via the flex and the three pin plug located underneath the hotplate. The appliance operate at a main voltage of 120V a.c., frequency 60Hz. Electric power absorption is about 1W.

**WARNING: Electrical Grounding Instructions: This appliance is equipped with a (three-prong) grounding plug for your protection against shock hazard and should be plugged directly into a properly grounded receptable. Do not cut or remove the grounding prong from this plug.**

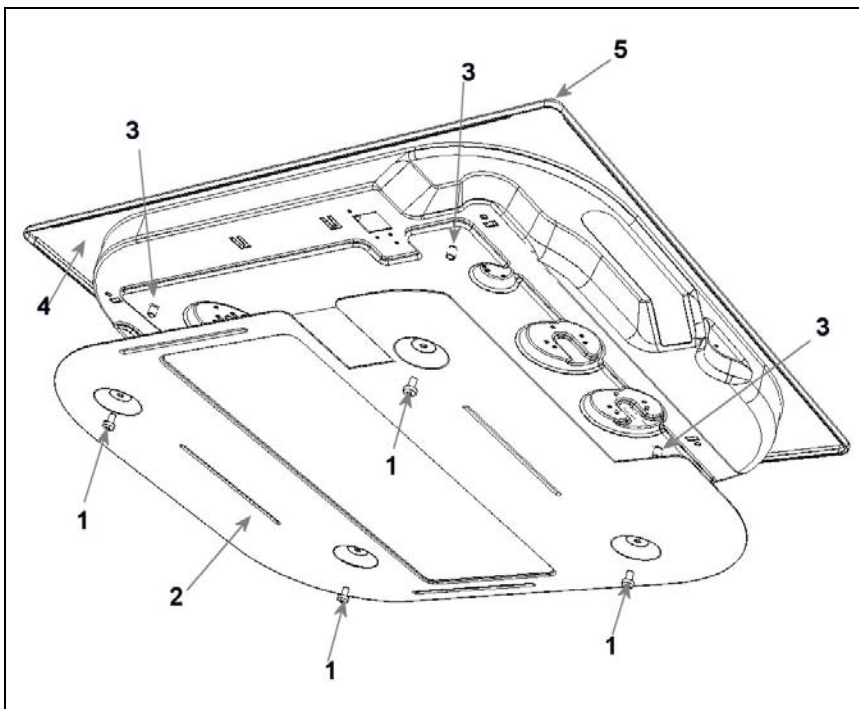
### Wiring diagrams



#### Wiring diagram description

- 1. Cable terminal
- 2. Spark generator
- 3. Ignition spark
- L. Black
- N. White
- T. Green (earth)

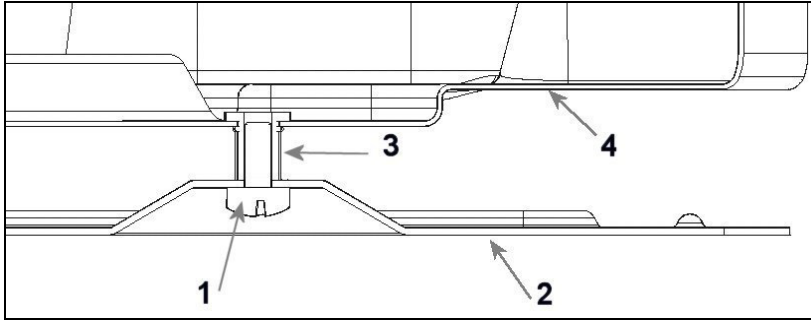
### Instructions for assembly of load bearing bottom protection



- 1 SCREW M5
- 2 LOAD BEARING  
BOTTOM PROTECTION
- 3 RIVET M5
- 4 LOAD BEARING  
BOTTOM
- 5 WORK TABLE

After the installation of the hob (5) proceed with the assembly of the load bearing bottom protection (2) placing it in the position showed in picture and fixing it with screws supplied (1) with inserts (3) present on the load bearing bottom (4).

## SECTION VIEW OF THE RIGHT ASSEMBLY



## Room ventilation – Location and venting.

**ATTENTION:** An exhaust fan may be used with the appliance; in each case it shall be installed in conformity with the national standards in force.

**ATTENTION:** Exhaust hood operation may affect other vented appliances; in each case it shall be installed in conformity with the national standards in force.

## Conversion to different types of gas

Before carrying out any maintenance work, disconnect the appliance from the gas and electric supply. For Natural Gas fit regulator assembly described in Fig. 5A. For LP Gas fit assembly described in fig. 5A.

### - CHANGING THE NOZZLES FOR USE WITH OTHER TYPES OF GAS:

To change the nozzles of the burners use the following procedure:

Lift up the burners and unscrew the nozzles ( Fig. 6) using an adjustable spanner of 7 mm and change the nozzles with those designed for the new gas supply according to the information given in TABLE A shown below.

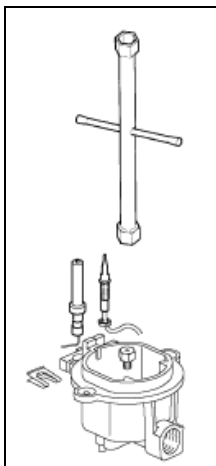


fig.6

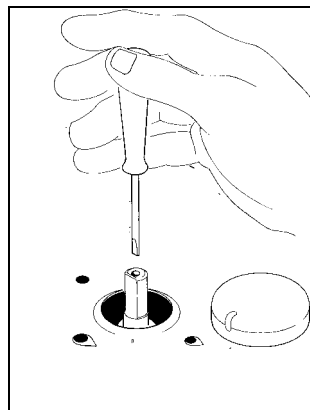


fig.7

**TABLE A: Adapting to different types of gas**

Gas Burner Type	NATURAL (A)				LP (E)				
	Pressure [i.w.c.]	Inj. size 1/100mm	Input Rate [BTU/h]	Simmer Rate [BTU/h]	Pressure [i.w.c.]	Inj. size 1/100mm	Input Rate [BTU/h]	Simmer Rate [BTU/h]	By-pass size [1/100mm]
Auxiliary	4"	0,90	3400	900	11"	0,54	3400	900	29
Semi-Rapid		1,18	6100	1500		0,70	6100	1500	37
Rapid		1,55	10400	3700		0,92	10400	3700	58
Fish		1,55	10200	4000		0,92	10200	4000	61
Triple Ring		1,65	11900	5300		1,02	12300	5300	73

**CAUTION:** save the orifices removed from the appliance for future use

## Regulation of burners

### Regulation of the "MINIMUM" on the burners

To regulate the minimum on the burners carry out the following procedure indicated below:

- 1) Turn on the burner and put the knob onto position MINIMUM ( small flame ).
- 2) Remove the knob ( Fig. 7) of the tap which is set for standard pressure. The knob is found on the bar of the tap itself.
- 3) Beside the tap bar on the work top, insert a small slotted screwdriver into the hole on the valve rod (Fig. 7) and turn the choke screw to the right or left until the flame of the burner is regulated in the most suitable way to MINIMUM.
- 4) Make sure that the flame does not go out when changing the position quickly from MAXIMUM to the MINIMUM position.

**ATTENTION:** The regulation described above can be carried out only with burners using natural gas, while with burners using propane gas the screw must be fully screwed in, in a clockwise direction.

## Adaptation of the pressure regulator for use with different type of gas

The pressure regulator supplied with the appliance is a convertible type pressure regulator for use with Natural Gas at a nominal outlet pressure of 4" w.c. or LP gas at a nominal outlet pressure of 11" w.c. and it is pre-arranged from the factory to operate with one of these gas/pressure as indicated in the pre-arranging labels affixed on the appliance, package and Instruction booklet.

To convert the regulator for use with the other gas different from which one it is pre-arranged it is enough perform the following operations:

- 1) Unscrew by hand the upper metal stopper of the regulator (Fig. 5A).
- 2) Unscrew by hand the white plastic piece screwed under the above mentioned metal stopper, afterward screw it again in opposite way under the metal stopper (for gas reference see the written "LP" and "NAT" with relative indicating arrows on the white piece).
- 3) Screw again by hand the metal stopper in the original position on the regulator.

Operating in this way the gas regulator is converted for use with the other gas/pressure.

## Service & maintenance instructions

### Service and maintenance only to be carried out by an authorised person

To replace parts such as burners, valves and electric components, the hotplate must be removed from the bench top by releasing the attachment hooks, loosening the attachment screws of each burner, unscrewing the hotplate attachments nuts which are visible at the bottom of the surface, removing the hotplate top and finally replacing the defective parts.

**Note:** if the valves must be replaced, first disassemble the ignitions switches wires.

It is recommended to replace the valve gaskets each time the valve is replaced, thus ensuring a perfect seal between the body and the gas train.

**WARNING:** Disconnect power before servicing unit.

**For the location of the wall receptacle for the connection of the three-pin earthed plug of the appliance, see indications given in Fig. 1- 2**

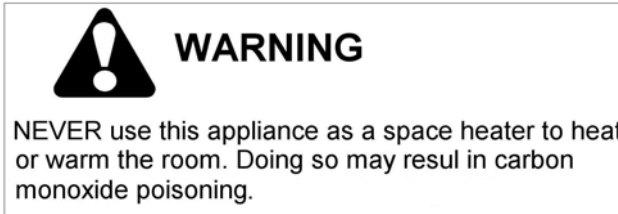
**WARNING:** After first installation of the appliance or after any service intervention concerning main gas parts of the appliance, make the leak test using water with soap on the gas connections in order to verify the correct installation. Do not use fire for gas leak testing.



# User instructions

## WARNINGS:

Keeping appliance area clear and free from combustible materials, gasoline and other flammable vapors and liquid.



Do not store dangerous or flammable material in the cabinet areas above appliance; store them in a safe place in order to avoid potential hazards.

For safe use of appliance, do not use it for space heating.

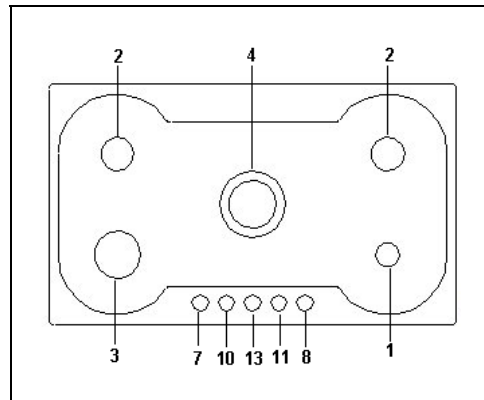
Do not use aerosol sprays in the vicinity of this appliance while it is in operation

For description of hotplates refer to installation instructions.

## Descriptions

### DESCRIPTIVE CAPTION FOR HOB

1. Small Burner
2. Medium burner
3. Rapid burner
4. Double ring (wok) burner
5. Fish burner
6. Front left side burner control knob
7. Front right side burner control knob
8. Back left side burner control knob
9. Back right side burner control knob
10. Middle burner control knob



## Using burners

A diagram is etched on the control panel above each knob which indicates which burner corresponds to that knob.

### Manual ignition:

Manual ignition is always possible even when the power is cut off or in the event of prolonged power failure. Turn the knob that corresponds to the burner selected counterclockwise to the MAXIMUM position at the etched star (large flame) and place a lit match up to the burner.

### Automatic electric ignition:

Turn the knob that corresponds to the burner selected counterclockwise to the MAXIMUM position at the etched star (large flame) and then press the knob down to activate the spark ignition. Once ignited, keep pressing the knob for about 10 seconds to allow the flame to heat the thermocouple. If the burner does not remain alight after releasing the knob repeat the above procedure,

**Note:** It is recommended not to try to ignite the burner if the relative flame cap is not in the correct position

### Tips for using burners correctly:

**WARNING:** During use of each gas burner(s) adjust the burner flame size properly so it does not extend beyond the edge of the cooking utensil. This is an instruction based on safety considerations

- Use suitable pots for each burner (see Fig. 16 and Table B)
- When the liquid is boiling, turn down the knob to the MINIMUM position.
- Always use pots with a cover.

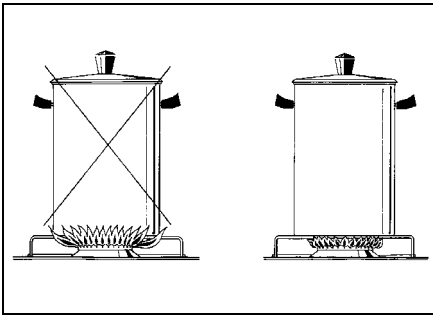


Fig.16

Table B

Burner	Recommended pan diameters inches (mm)
Small	35½"-551/8" (90 – 140)
Medium	551/8"- 1023/8" (140 – 260)
Large	707/8"- 1023/8" (180 – 260)
Double ring (wok)	862/3"-1023/8" (220 – 260)

#### Correct usage of pans:

- Dry the bottom of the pan before placing it on the hotplate.
- Use pots with a flat, thick bottom, except for wok cooking.
- When using the burners, ensure that the handles of the pans are correctly positioned. Keep children away from the appliance.
- When cooking foods with oil and fat, which are very flammable, do not leave the appliance unattended.

**WARNING:** If the power is cut off, the burners can be lit with matches.

The burners equipped with a safety thermocouple can only be lit when the knob is in the MAXIMUM position (large flame etching).

**Note:** The use of a gas cooking appliance produces heat and humidity in the room where it is installed. Therefore, proper ventilation in the room is needed and natural ventilation openings must remain unobstructed and activating the mechanical exhaust fan/range hood. Intensive and continuous use of the appliance may require additional ventilation, for example by opening a window, or increasing the power of the mechanical exhaust fan/range hood, if installed.

#### Cleaning the appliance:

##### Never use abrasive cleaners

**Before cleaning the appliance it should be disconnected from the power supply.**

Cleaning the work surface: periodically clean the burner heads, the cast iron pan supports and the burner caps using warm water.

**Any spillage must always be removed as soon as possible using a rag.**

**If it become difficult to open or close a valve, do not force it, but immediately request the assistance of the technical service personnel.**

**Cleaning the enamelled parts:** Enamelled parts should be cleaned frequently with soapy water. Never use abrasive powder. Do not leave acidi or alkaline substances on the enamelled parts (such as vinegar, lemon juice, salt, tomato sauce, etc.) and do not wash the enamelled parts while they are still hot.

**Cleaning the stainless steel parts:** Clean the parts with soapy water and dry them with a soft cloth. The shine is maintained by periodically using specific stainless steel cream cleaner. Never use abrasive powders. Use specific stainless steel cream cleaner to eliminate the glue remains after the elimination of the blue plastic protection film on the worktop after installation.

**Cleaning the burner caps:** Lift the burner caps from the burner heads and wash them in soapy water and dry thoroughly. Before replacement on the burner head ensure that the holes are not clogged.

**ATTENTION:** for further details about cleaning of the appliance, please contact your appliance retailer.

**AFTER SALE SERVICE:**

Please note here below details for after save service.

Refer to warranty certificate for warranty condiftions

**Dealer /Importer:**

**Name, address, phone**

<b>SERVICE CENTERS</b>	
<b>Name</b>	<b>Phone</b>

**MANUFACTURER:****BERTAZZONI SPA**

VIA PALAZZINA, 8 – 42016 – GUASTALLA (REGGIO E.) ITALY

Tel. 0522/226411 – telefax 0522/226440 – <http://www.bertazzoni-italia.com>

# Installation, Service et Instructions pour l'Utilisateur

Tables de cuisson gaz à encastrer **BERTAZZONI**



DIMENSIONS: 33 7/8" (860 mm)(W) x 19 2/3" (500 mm)(D)

Modèles **P34 5 00 X**

[P910..T4X5D]

**IMPORTANT: A CONSERVER POUR L'UTILISATION DE L'INSPECTEUR ELECTRIQUE LOCAL.  
LIRE ET CONSERVER CES INSTRUCTIONS POUR LES REFERENCES FUTURES.  
OBSERVER TOUS LES CODES ET LES ORDONNANCES PRINCIPAUX.**

**Dans Le Massachusetts :** Tous les produits à gaz doivent être installés par un plombier ou un préposé au gaz autorisé du "Massachusetts". Un clapet à gaz de poignée à "T" manuel doit être installé dans la canalisation d'alimentation de gaz à cet appareil.

**ATTENTION: Au cas où les informations dans ce manuel ne seraient pas suivies avec précision, un incendie ou une explosion peuvent se produire en provoquant des dommages matériels, des blessures ou la mort.**

**Ne pas stocker ou utiliser d'essence, d'autres vapeurs ou liquides inflammables à proximité de celui-ci ou de n'importe quel autre appareil.**

## **CE QU'ON DOIT FAIRE EN CAS D'ODEUR DE GAZ**

- **N'essayez d'allumer aucun appareil.**
- **Ne touchez aucun interrupteur électrique.**
- **N'utilisez aucun téléphone dans votre établissement.**
- **Appelez immédiatement votre fournisseur de gaz par le téléphone d'un voisin.**  
**Suivez les instructions du fournisseur de gaz.**
- **Si vous ne pouvez pas atteindre vos fournisseurs de gaz, appelez les pompiers.**

**L'installation et le service doivent être exécutés par un installateur qualifié, une agence de service ou par le fournisseur du gaz.**

Lisez ce livret d'instructions avant d'installer ou employer l'appareil.

**Le fabricant ne sera responsable d'aucun dommage à la propriété ou aux personnes provoqué par l'installation incorrecte ou l'utilisation inexacte de l'appareil.**

Le fabricant se réserve le droit d'apporter des modifications à ses produits au cas où il le jugerait nécessaire ou utile, sans influencer les caractéristiques essentielles de sécurité et de fonctionnement.

**Cet appareil a été uniquement conçu pour une utilisation non-professionnelle et domestique.**



## **WARNING**

Jamais utiliser cet appareil comme réchauffeur d'une espace ou d'une chambre. Cette utilisation de l'appareil pourrait provoquer un empoisonnement per le monoxyde de carbone.

## INDEX:

Manuel pour l'installation.....	page 13-14
Insertion de la table de cuisson.....	page 14
Exigences.....	page 14
Fixation de la table de cuisson.....	page 15
Branchement du gaz.....	page 15
Branchement électrique.....	page 16
Schéma de câblage.....	page 17
Instructions de montage de la protection du fond portant .....	page 17
Ventilation du local.....	page 18
Positionnement et dégazage.....	page 18
Remplacement des becs.....	page 18
Réglage des brûleurs.....	page 19
Instructions de service et d'entretien.....	page 19
Instructions pour l'utilisateur.....	page 20
Descriptions.....	page 20
Utilisation des brûleurs.....	page 20-21
Nettoyage de l'appareil.....	page 21

## Manuel pour l'installation

Cet appareil devra uniquement être installé par une personne autorisée. Il devra être installé selon les instructions d'installation des fabricants. **IMPORTANT:** cet appareil doit être installé selon les normes en vigueur du pays concerné.

L'installation de cet appareil doit se conformer aux codes et aux ordonnances locaux. En l'absence de codes locaux, l'installation de cet appareil doit se conformer aux Normes Nationales Américaines, "*National Fuel Gas Code*" ANSI Z223.1 – dernière édition\*\* ou B149.1.

Au cas où les codes locaux le permettraient, utilisez un dispositif de raccordement en métal flexible avec le nouveau dessin certifié AGA ou CGA, de 1,5 mètres de longueur maximum, ½" I.D. recommandé pour le branchement de cette table de cuisson au conduit d'amenée des gaz. Ne pliez pas ou n'endommagez pas le connecteur flexible en déplaçant la table de cuisson. Le régulateur de pression a un filetage au pas du gaz femelle de ½". Vous devrez déterminer le raccordement demandé, selon la dimension du conduit d'amenée des gaz, du connecteur en métal flexible et du robinet d'arrêt.

L'appareil, lorsqu'il est installé, doit être mis à la terre selon les codes locaux ou, en l'absence de ceux-ci, avec le "*National Electrical Code*", ANSI/NFPA 70.

L'appareil et son robinet d'arrêt individuel doivent être débranchés du système du conduit d'amenée des gaz pendant tous les essais sous pression de ce système à une pression d'essai supérieure à ½ psi (3,5 kPa).

L'appareil doit être isolé du système du conduit d'amenée des gaz, en fermant son robinet d'arrêt individuel pendant tous les essais sous pression de celui-ci à une pression égale ou inférieure à ½ psi (3.5 kPa).

Pour l'utilisation avec un régulateur de pression. Le régulateur fourni doit être employé avec cet appareil.

Le dispositif de réglage de pression doit être prédisposé pour le gaz avec lequel l'appareil est employé.

Cet appareil peut être utilisé avec Gaz Naturel ou Gaz LP. Il est livré par l'usine et réglé pour l'utilisation avec Gaz Naturel: **LES INJECTEURS FIXE POUR LA CONVERSION DU GAZ SONT PLACE' DANS L'EMBALLAGE IN DOTATION AVEC L'APPAREIL.**

Le kit d'injecteurs pour le changement du type de gaz est contenu dans l'emballage avec le kit d'installation de la table et le livret d'instructions.

La pression d'alimentation maximum du gaz en entrée dans le régulateur de pression de l'appareil à gaz est de 20" colonne d'eau (w.c.) (5 kPa)

La pression d'alimentation minimum du gaz pour le contrôle du réglage du régulateur doit être au moins de 1" colonne d'eau (w.c.) (249 Pa) au-dessus de la pression du collecteur d'admission à l'appareil spécifiée (cette pression de fonctionnement est de 4" colonne d'eau (1.00 kPa) pour le Gaz Naturel et 11" colonne d'eau (2.75 kPa) pour le Gaz LP).

**ATTENTION:** Une valve manuelle doit être installée dans une position accessible dans la ligne du gaz externe à l'appareil afin d'ouvrir ou d'arrêter le gaz à l'appareil.

**AVERTISSEMENT:** Ne pas utiliser de pulvérisateurs d'aérosol à proximité de cet appareil lorsqu'il est en fonction.

### Insertion de la table de cuisson

Après avoir enlevé les différentes parties libres à l'intérieur et à l'extérieur de l'emballage, assurez-vous que la table de cuisson ne soit pas endommagée et qu'elle soit appropriée pour l'utilisation du gaz spécifique. L'étiquette du type de gaz se trouve en dessous de la base de la table de cuisson.

En cas de doute, n'employez pas l'appareil et contactez le personnel préposé.

Gardez toutes les pièces de l'emballage (mousse de polystyrène, carton, agrafes, etc.) loin des enfants.

Considérez les dimensions critiques de l'appareil, avant d'effectuer une ouverture dans la surface supérieure du banc de travail. (mesures relatives selon la Fig 1- 2).

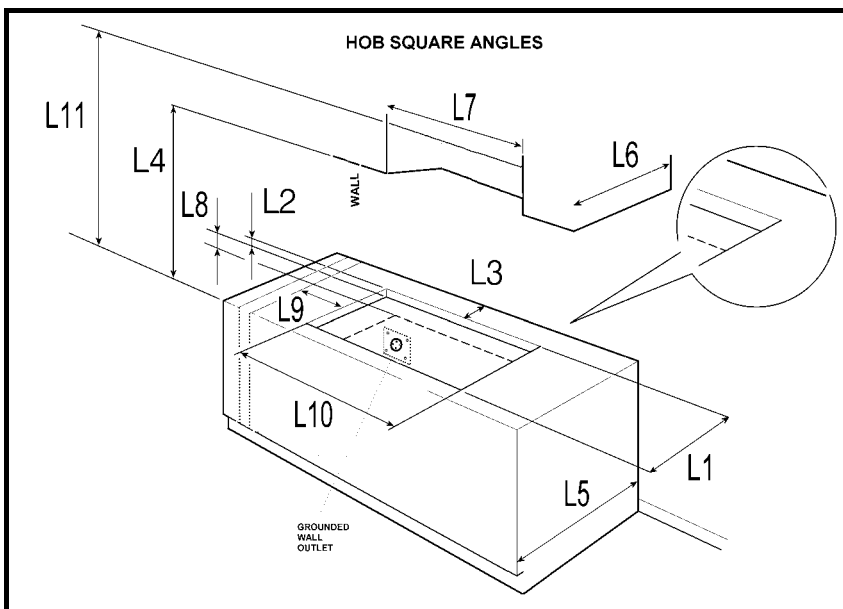


fig. 1

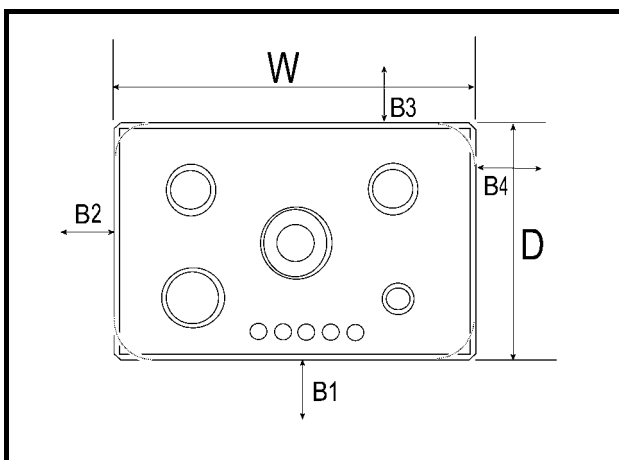


fig. 2

## Exigences

### 1. Distances des meubles suspendus (Valeurs minimum)

Les distances minimum devront être conformes aux valeurs minimum indiquées dans la table n.1 et sont illustrées dans la fig. 1- 2

Les hottes de cuisine et les ventilateurs aspirant doivent être installés selon les instructions du fabricant. Cependant, dans aucun cas, la distance entre la partie supérieure du brûleur le plus haut de l'appareil de cuisson et la hotte d'aspiration devra être inférieure au 30"( 762mm). Voir la Fig. 1- 2.

N'importe quelle autre surface combustible orientée vers le bas à moins de 600mm vers la partie supérieure du brûleur le plus haut devra être protégée pour sa largeur complète et profondeur de la zone à cuire.

Cependant, dans aucun cas cette distance à n'importe quelle surface, devra être inférieure à 17<sup>3</sup>/<sub>4</sub>"(450mm.) La profondeur maximum des armoires suspendues est de 13" (330mm)

### 2. Distances latérales (Valeurs minimum)

Les différentes distances latérales devront être conformes aux valeurs minimum indiquées dans la table n.1 et illustrées dans la fig. 1- 2 La zone de la surface à cuire est définie comme la partie de l'appareil où on fait normalement la cuisson, et n'inclut pas les parties de l'appareil qui contiennent les boutons de contrôle.

Table n.1

<i>Distances Min.</i>	<i>pouces (mm)</i>
<b>L1</b>	18 7/8" (480)
<b>L2</b>	1 9/16" (40)
<b>L3</b>	3 3/8" (86)
<b>L4</b>	18" (457)
<b>L5</b>	24" (610)
<b>L6</b>	13" (330)
<b>L7</b>	33 7/8" (860)
<b>L8</b>	3/4" (20)
<b>L9</b>	3 15/16" (100)

<i>Distances Min.</i>	<i>pouces (mm)</i>
<b>L10</b>	33" (840)
<b>L11</b>	32" (813)
<b>W</b>	33 7/8" (860)
<b>D</b>	19 2/3" (500)
<b>B1 (*)</b>	1 3/8" (35)
<b>B2 (*)</b>	3 1/2" (90)
<b>B3 (*)</b>	3" (76)
<b>B4 (*)</b>	3 1/2" (90)
<b>R</b>	5 1/8" (135)

(\*) Notes:

-B1 est la distance min. entre le bord frontal de l'appareil et le bord frontal de l'armoire.

-B2 et B4 sont les distances minimum entre le bord latéral droit/gauche de l'appareil et le mur latéral (si présent).

-B3 est la distance minimum entre le bord arrière de l'appareil et le mur arrière.

### Fixation de la table de cuisson

Pour empêcher aux liquides de fuir accidentellement dans l'espace de stockage sous-jacent, l'appareil est équipé d'une garniture spéciale. Pour appliquer cette garniture, suivez attentivement les instructions dans la Fig. 3. Disposez les bandes d'étanchéité protectrices le long des bords de l'ouverture du banc de travail et couvrez soigneusement l'extrémité de la bande. (Voir Fig. 3). Insérez la table de cuisson dans l'ouverture du banc de travail. A l'aide d'un tournevis assemblez les supports A en dessous de la table de cuisson au moyen des vis B. (Voir Fig. 4). Positionnez les crochets dans la position et fixez-les avec les vis.

Recoupez la partie des bandes protectrices qui s'étendent au-delà de la base de la table de cuisson.

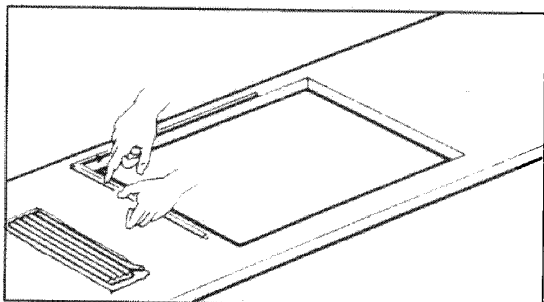


fig.3

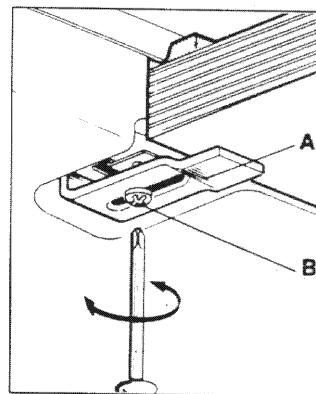


fig.4

## Branchement du gaz

Avant de brancher l'appareil à l'alimentation gaz, enlevez d'abord le bouchon en plastique qui est monté en force dans le raccord d'admission du gaz; pour l'enlever, le tirer simplement.

1. Vérifiez l'étiquette du "type de gaz" attachée à la table de cuisson. Les détails concernant les dimensions des injecteurs utilisés sont indiqués sur la plaquette des données située sur la base de l'appareil.
2. Cet appareil devra être installé selon les conditions d'installation de l'autorité locale du gaz du code d'installation approprié.
3. Avant d'installer la table de cuisson considérez la position de l'alimentation gaz et l'itinéraire de la ligne du gaz. ( Se référer à la fig.5B)
4. Pour les modèles LPG la ligne de distribution de gaz est connectée au régulateur qui est fourni séparément. Le branchement d'entrée a un filetage mâle de 1/2" B.S.P ( filetage Whitworth pour tuyaux). IL EST ESSENTIEL QUE LE COUDE SUR L'APPAREIL SOIT FERMEMENT RETENU AVEC UNE CLE LORSQU'ON BRANCHE L'ALIMENTATION. NE PAS SERRER. La pression réglée pour LPG est de 11" colonne d'eau. (Voir Fig. 5A).
5. Pour les modèles GN (gaz naturel) la ligne de distribution de gaz est connectée au régulateur qui est fourni séparément. Le branchement d'entrée a un filetage mâle de 1/2" B.S.P. ( filetage Whitworth pour tuyaux). IL EST ESSENTIEL QUE LE COUDE SUR L'APPAREIL SOIT FERMEMENT RETENU AVEC UNE CLE LORSQU'ON BRANCHE L'ALIMENTATION. NE PAS SERRER. La pression réglée pour GN est de 4" colonne d'eau (Voir Fig. 5A).
6. Pour la position d'entrée du gaz de l'appareil, référez-vous à la Fig 5A et 5B. Après avoir installé l'alimentation du gaz et après avoir effectué tous les branchements, contrôlez soigneusement les éventuelles fuites. Tournez tous les boutons de commande de l'unité sur la position 'OFF'. Ouvrez la valve sur l'alimentation du gaz. En utilisant une solution avec du savon et de l'eau contrôlez tous les branchements du gaz, un après l'autre, en frottant la solution sur le raccord. La présence de bulles indiquera une fuite. Serrer le raccordement et recontrôlez les fuites. Au cas où il ne serait pas possible de corriger la fuite, remplacez le raccord. Pour n'importe quelle circonstance utilisez des allumettes ou des flammes pour vérifier les fuites.

Il est essentiel que la garniture et la fermeture du point d'essai de la pression soient correctement installés pour éviter la fuite de gaz

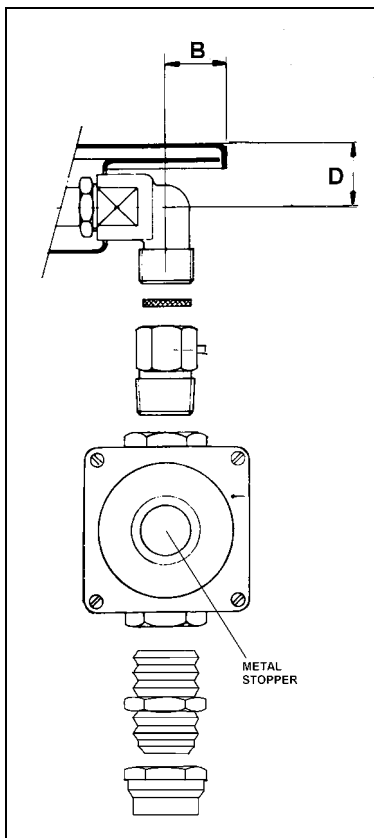


Fig.5A

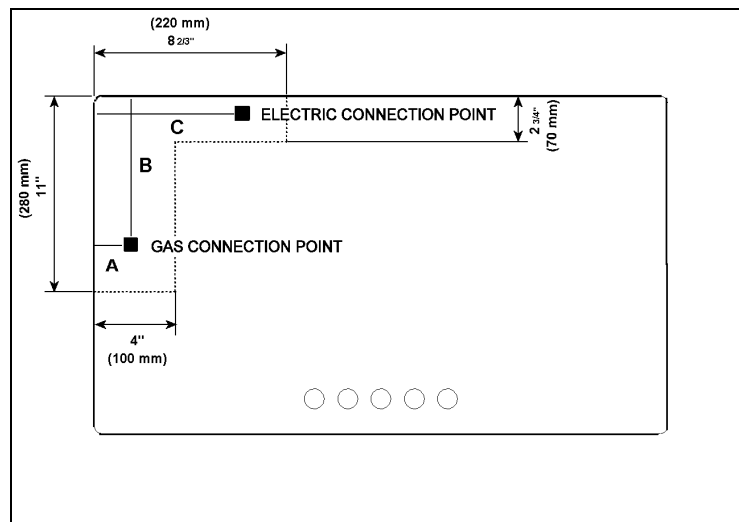


Fig.5B

	Inches	mm
<b>A</b>	1 9/16"	45
<b>B</b>	8 1/4"	210
<b>C</b>	8 1/2"	215
<b>D</b>	1/8"	22



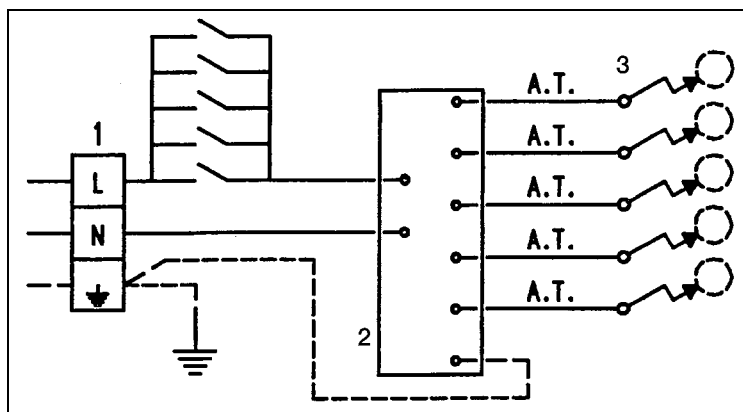
7. Pour vérifier l'introduction de pression dans l'appareil il faut agir comme il suit:
- Disjoindre la courant électrique avant de vérifier la pression.
  - Enlever un des chapeaux de brûleurs et la relative tete bruleur au fin d'accéder au injecteur du brûleur.
  - Mettre en position le détecteur de pression directement sur l'injecteur du brûleur ensuite ouvrir la relative manette en la gardant poussée à la position maxima, après mesurez la sortie de pression par l'injecteur du brûleur.
  - Quand on a terminé le contrôle de la pression, remettre le chapeau du brûleur et la tete bruleur dans la position originale et correcte et rejoindre la courente électrique à l'appareil.
8. Ouvrez le robinet de commande sur l'appareil et allumez chaque brûleur. Vérifiez une flamme bleu-clair sans formation de pointes jaunes. Si les brûleurs montrent quelques anomalies, vérifier qu'ils soient positionnés correctement et en ligne avec la tête d'injecteur à filetage mâle.
9. Parfois les brûleurs ne s'enflamment pas immédiatement et semblent 'souffler' légèrement quand ils s'allument. Cela est dû à l'air dans les canalisations de gaz, qui disparaîtra dans peu de secondes.
10. Si après les instructions données, une performance satisfaisante n'a pas été obtenue, contactez l'autorité locale du gaz pour demander conseil et assistance.

## Branchement électrique

Le branchement de la table de cuisson au réseau est effectué par le fil électrique et la fiche tripolaire positionnée sous la table de cuisson. L'appareil fonctionne à une tension du réseau de 120V c.a., fréquence 60Hz. L'absorption d'énergie électrique est d'environ 1W.

**AVERTISSEMENT: Instructions pour la mise à terre électrique: L'appareil est équipé d'une bonde de mise à terre (trois pôles) pour votre protection contre le risque de choc et devra être branché directement à une prise correctement mise à terre. Ne coupez pas ou n'enlevez pas les pôles de cette bonde.**

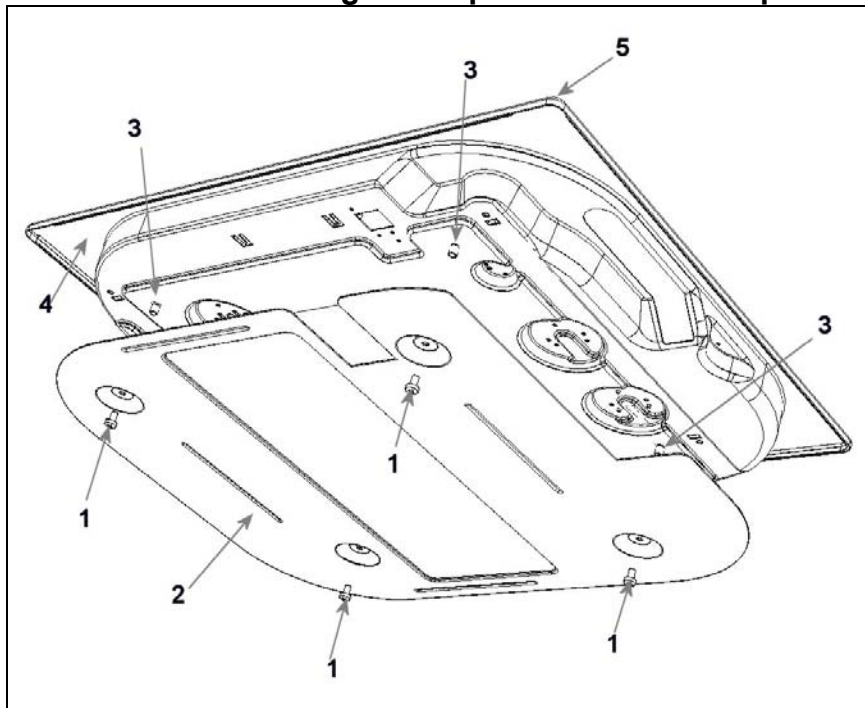
## Schémas de câblage



### Description du schéma de câblage

- Cosse de câble
- Générateur d'étincelles
- Étincelle d'allumage
- L. Noir
- N. Blanc
- T. Vert (terre)

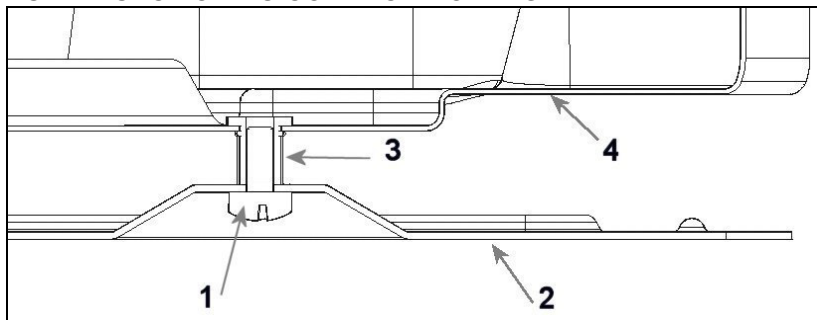
## Instructions de montage de la protection du fond portant



- 1 VIS M5
- 2 PROTECTION DU FOND PORTANT
- 3 RIVET M5
- 4 FOND PORTANT
- 5 PLAN DE TRAVAIL

Après avoir installé la table cuisson (5) procéder avec le montage de la protection du fond portant (2) en le plaçant comme indiqué en figure et en le fixant avec les vis en dotation (1) avec les accessoires (3) présents sur le fond portant (4).

### VUE EN SECTION DU CORRECT MONTAGE



## Ventilation du local – Positionnement et dégazage

**NOTE :** Un ventilateur extracteur qui aide l'évacuation des produits de la combustion peut être utilisé dans le local où se trouve l'appareil ; en chaque cas il doit être éventuellement installé conformément aux normes nationales en vigueur.

**NOTE :** Le fonctionnement d'une hotte d'aspiration peut avoir influence sur les autres appareils à gaz qui fonctionnent dans le même local ; en chaque cas elle doit être éventuellement installée conformément aux normes nationales en vigueur.

## Conversion à différents types de gaz

Avant d'effectuer n'importe quel travail d'entretien, débranchez l'appareil de l'alimentation gaz et électrique. Pour le Gaz Naturel utilisez le régulateur illustré en Fig. 5A. Pour LP Gaz utilisez celui illustré en Fig. 5A.

## - REMPLACEMENT DES BECS POUR L'UTILISATION AVEC D'AUTRES TYPES DE GAZ:

Pour changer les becs des brûleurs, suivez le procédé suivant:

Soulevez les brûleurs et dévissez les becs ( Fig. 6) en employant une clé réglable de 7 mm et changez les becs avec ceux conçus pour la nouvelle alimentation de gaz, selon les informations fournies dans le TABLEAU A ci-dessous.

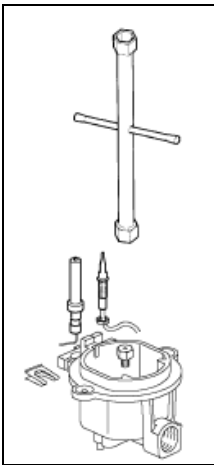


fig.6

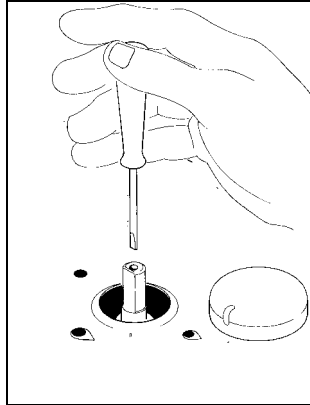


fig.7

**TABLEAU A: Adaptation aux différents types de gaz**

Gaz	NATUREL (A)				LP (E)				
	Pression [i.w.c.]	Diam inj. [1/100mm.]	Débit nom. [BTU/h]	Débit reduit [BTU/h]	Pression [i.w.c.]	Diam inj. [1/100mm.]	Débit nom. [BTU/h]	Débit reduit [BTU/h]	Diam. bypass [1/100mm.]
Auxiliaire	4"	0,9	3400	900	11"	0,54	3400	900	29
Semi-Rapide		1,18	6100	1500		0,7	6100	1500	37
Rapide		1,55	10400	3700		0,92	10400	3700	58
Poisson		1,55	10200	4000		0,92	10200	4000	61
Triple couronne		1,65	11900	5300		1,02	12300	5300	73

**ATTENTION: gardez les orifices enlevés de l'appareil pour une utilisation future**

## Réglage des brûleurs

### Réglage du "MINIMUM" sur les brûleurs

Pour régler le minimum sur les brûleurs suivez le procédé indiqué ci-dessous:

- 1) Allumez le brûleur et mettez le bouton sur la position de MINIMUM ( petite flamme ).
- 2) Enlevez le bouton ( Fig. 7) du robinet qui est réglé pour la pression standard. Le bouton se trouve sur la barre du robinet-même.
- 3) Près de la barre du robinet sur le top de travail, insérez un petit tournevis a encoches dans la tige de soupape (Fig. 7) et tournez la vis du réducteur de pression à droite ou à gauche jusqu'à ce que la flamme du brûleur soit réglée de la manière la plus appropriée au MINIMUM.
- 4) S'assurer que la flamme ne sorte pas en changeant rapidement la position du MAXIMUM en position de MINIMUM.

**ATTENTION: Le réglage décrit ci-dessus peut être seulement effectué avec des brûleurs qui emploient le gaz naturel, tandis qu'avec les brûleurs qui emploient le gaz propane, la vis doit être complètement vissée, dans le sens des aiguilles d'une montre.**

## Adaptation du régulateur de pression pour l'utilisation avec des différents types de gaz

Le régulateur de pression fourni avec l'appareil est un régulateur de pression du type convertible pour l'utilisation avec Gaz Naturel à une pression de sortie nominale de 4" w.c. (colonne d'eau) ou LP gaz à une pression de sortie nominale de 11" w.c. (colonne d'eau) et il est prédisposé par l'usine pour fonctionner avec un de ces gaz/pression, comme indiqué sur les étiquettes de réglage apposées sur l'appareil, l'emballage et le livret d'instructions.

Pour convertir le régulateur pour l'utilisation avec un gaz différent de celui qui a été arrangé il suffit d'effectuer les opérations suivantes:

- 1) Dévisser à la main le bouchon en plastique supérieur du régulateur (Fig. 5A).
- 2) Dévisser à la main la pièce en plastique blanche vissée sous le bouchon en métal susmentionné, ensuite le visser encore dans le sens opposé sous le bouchon en métal (pour la référence du gaz voir l'écriture "LP" et "NAT" avec les flèches relatives sur la partie blanche).
- 3) Visser encore à la main le bouchon en métal dans la position originale sur le régulateur.

En opérant de cette façon, le régulateur est transformé pour l'utilisation avec l'autre gaz/pression.

## Instructions de service et d'entretien

### **Le service et l'entretien doivent seulement être exécutés par une personne autorisée**

Pour remplacer les parties telles que les brûleurs, les valves et les composants électriques, la table de cuisson doit être enlevée du banc de travail en libérant les crochets de fixation, desserrant les vis de fixation de chaque brûleur, dévissant les écrous de fixation crochets de fixation de la table de cuisson qui sont visibles au fond de la surface, enlevant la partie supérieure de la table de cuisson et remplaçant ensuite les pièces défectueuses.

**Avvertissement:** si les valves doivent être remplacées, désassemblez d'abord les câbles des interrupteurs d'allumage.

Il est recommandé de remplacer les joints de la valve chaque fois que la valve est remplacée, assurant, de cette façon, l'étanchéité parfaite entre le corps et le train de gaz.

**ATTENTION: Débranchez l'alimentation avant l'entretien de l'unité.**

**Pour le positionnement de la prise au mur pour le branchement de la bonde de mise à terre à trois pôles de l'appareil, voir les indications illustrées en Fig. 1- 2**

**ATTENTION: Après la première installation de l'appareil ou après n'importe quelle intervention d'entretien concernant les parties principales du gaz de l'appareil, effectuez le test de fuite en utilisant de l'eau avec du savon sur les raccordements de gaz pour vérifier l'installation correcte. N'utilisez pas de feu pour le test de fuite du gaz.**

## Instructions pour l'utilisateur

**ATTENTION:**

**Maintenir la zone de l'appareil propre et libre des matériaux combustibles, de l'essence et d'autres vapeurs et liquides inflammables.**



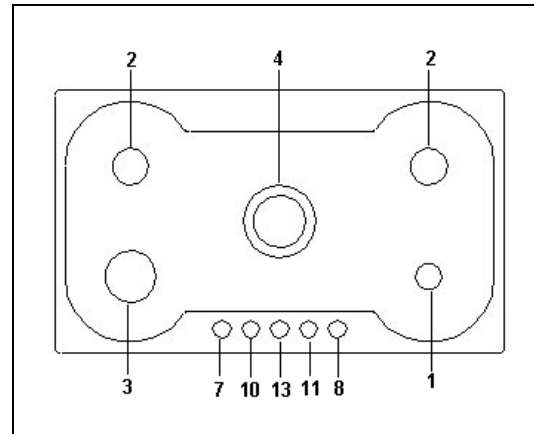
**Ne stockez aucun matériel dangereux ou inflammable dans les meubles suspendus sur l'appareil; stockez-les dans un lieu sûr pour éviter les risques potentiels.**

**Pour une utilisation sûre de l'appareil, ne l'employez pas pour le chauffage des locaux. N'utilisez pas de pulvérisateurs d'aérosol à proximité de cet appareil lorsqu'il est en fonction**  
Pour la description des tables de cuisson, référez-vous aux instructions d'installation.

## Descriptions

### LEGENDE DESCRIPTIVE POUR LES TABLES DE CUISSON

1. Brûleur petit
2. Brûleur moyen
3. Brûleur rapide
4. Brûleur double couronne (poêle chinoise)
6. Bouton de commande du brûleur frontal à gauche
7. Bouton de commande du brûleur frontal à droite
8. Bouton de commande du brûleur arrière à gauche
9. Bouton de commande du brûleur arrière à droite
10. Bouton de commande du brûleur central



### Utilisation des brûleurs

Un diagramme est gravé sur le tableau de commande sur chaque bouton qui indique quel brûleur correspond à ce bouton.

#### Allumage manuel:

L'allumage manuel est toujours possible même lorsque l'alimentation est débranchée ou en cas de panne de courant prolongée.

Tournez le bouton qui correspond au brûleur choisi dans le sens contraire des aiguilles d'une montre dans la position de MAXIMUM à l'étoile gravée (flamme large) et mettez une allumette allumée sur le brûleur.

#### Allumage électrique automatique:

Tournez le bouton qui correspond au brûleur choisi dans le sens contraire des aiguilles d'une montre à la position de MAXIMUM à l'étoile gravée (flamme large) et puis appuyez sur le bouton pour activer l'allumage par étincelle. Une fois qu'il est allumé, continuez à appuyer sur le bouton pendant 10 secondes environ, pour permettre à la flamme de chauffer le thermocouple. Si le brûleur ne reste pas allumé après avoir relâché le bouton, répétez le procédé ci-dessus.

**Avertissement:** Il est recommandé de ne pas essayer d'allumer le brûleur si le chapeau de la flamme relative, n'est pas en position correcte.

#### Suggestions pour une utilisation correcte des brûleurs:

**ATTENTION:** Pendant l'utilisation de chaque brûleur réglez la dimension de la flamme du brûleur correctement de façon à ce qu'elle ne se prolonge pas au-delà du bord des ustensiles de cuisine. C'est une instruction basée sur des considérations de sécurité

- Utilisez les casseroles appropriées pour chaque brûleur (voir la Fig. 16 et le Tableau B)
- Quand le liquide bout, tournez le bouton vers le bas à la position de MINIMUM.
- Utilisez toujours des casseroles avec un couvercle.

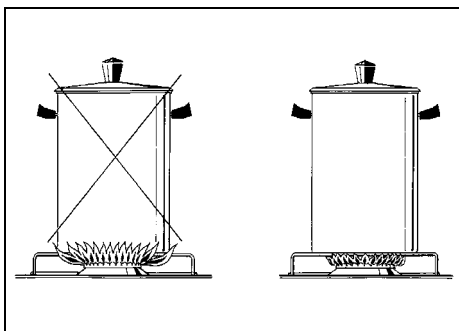


Fig.16

#### Utilisation correcte des casseroles:

- Essuyez le fond de la casserole avant de la positionner sur la plaque de cuisson.
- Utilisez les pots avec un fond plat et épais, à l'exception de la cuisson avec poêles chinoises.
- Quand vous utilisez les brûleurs, assurez-vous d'avoir positionné correctement les manches des casseroles. Tenir les enfants loin de l'appareil.

Tableau B

Brûleur	Diamètres recommandés en pouces pour les casseroles (mm)
Petit	35 $\frac{1}{2}$ "-55 $\frac{1}{8}$ " (90 – 140)
Moyen	55 $\frac{1}{8}$ "- 102 $\frac{3}{8}$ " (140 – 260)
Large	70 $\frac{7}{8}$ "- 102 $\frac{3}{8}$ " (180 – 260)
Double couronne (poêle chinoise)	86 $\frac{2}{3}$ "-102 $\frac{3}{8}$ " (220 – 260)

- Quand vous cuisinez des mets avec de l'huile ou de la graisse, qui sont très inflammables, l'utilisateur ne devra pas laisser l'appareil sans surveillance.

**ATTENTION:** Si l'alimentation est découpée, les brûleurs peuvent être allumés avec des allumettes. Les brûleurs équipés d'un thermocouple de sécurité peuvent seulement être allumés lorsque le bouton est en position de MAXIMUM (gravure de flamme large).

**Avertissement:** L'utilisation d'un appareil de cuisson à gaz produit de la chaleur et de l'humidité dans la chambre où il est installé. Par conséquent, une ventilation appropriée dans la chambre est nécessaire ainsi que les ouvertures normales de ventilation qui doivent être sans obstructions et doivent activer les ventilateurs à tirage d'air/hottes d'aspiration. Une utilisation intensive et continue de l'appareil peut exiger une ventilation additionnelle, par exemple en ouvrant une fenêtre, ou en augmentant la puissance du ventilateur à tirage d'air/hotte d'aspiration, si installés.

## Nettoyage de l'appareil:

**N'utilisez jamais de produits à nettoyer abrasifs**

**Avant le nettoyage de l'appareil, il faut le débrancher du réseau électrique.**

Nettoyage de la surface de travail: nettoyez périodiquement les têtes des brûleurs, les grilles en fonte et les chapeaux des brûleurs en utilisant de l'eau chaude.

**Tous les débordements qui se vérifient doivent être enlevé aussitôt que possible en utilisant un chiffon.**

**S'il devienne difficile d'ouvrir ou fermer une valve, ne la forcez pas, mais demandez immédiatement l'assistance du personnel du service technique.**

**Nettoyage des parties émaillées:** Les parties émaillées devront être nettoyées fréquemment avec de l'eau savonneuse. N'utilisez jamais de poudres abrasives. Ne laissez pas de substances acides ou alcalines sur les parties émaillées (comme par exemple du vinaigre, jus de citron, sel, sauce de tomate, etc.) et ne lavez pas les parties émaillées lorsqu'elles sont encore chaudes.

Nettoyage des parties en acier inox: Nettoyez les parties avec de l'eau savonneuse et séchez-les en utilisant un chiffon mou. La brillance est maintenue en utilisant périodiquement des produits spécifiques pour nettoyage d'acier inox. N'employez jamais de poudres abrasives. Utilisez le même produit spécifique pour éliminer la colle qui reste après l'enlèvement de la pellicule bleu de protection du table travail.

**Nettoyage des chapeaux des brûleurs:** Soulevez les chapeaux des brûleurs des têtes des brûleurs, lavez-les dans l'eau savonneuse et séchez-les soigneusement. Avant le remplacement sur la tête du brûleur, assurez-vous que les trous ne soient pas obstrués.

**ATTENTION :** pour tous autres informations sur le nettoyage de l'appareil, contactez détaillant où vous avez acheté l'appareil.

## Service après vente:

Voir les informations ci-dessous pour le service après-vente.

Se référer au certificat de garantie pour les conditions de la garantie.

**Revendeur /Importateur:**

**Nom, adresse, téléphone**

CENTRES DE SERVICE	
Nom	Téléphone

## **FABRICANT:**

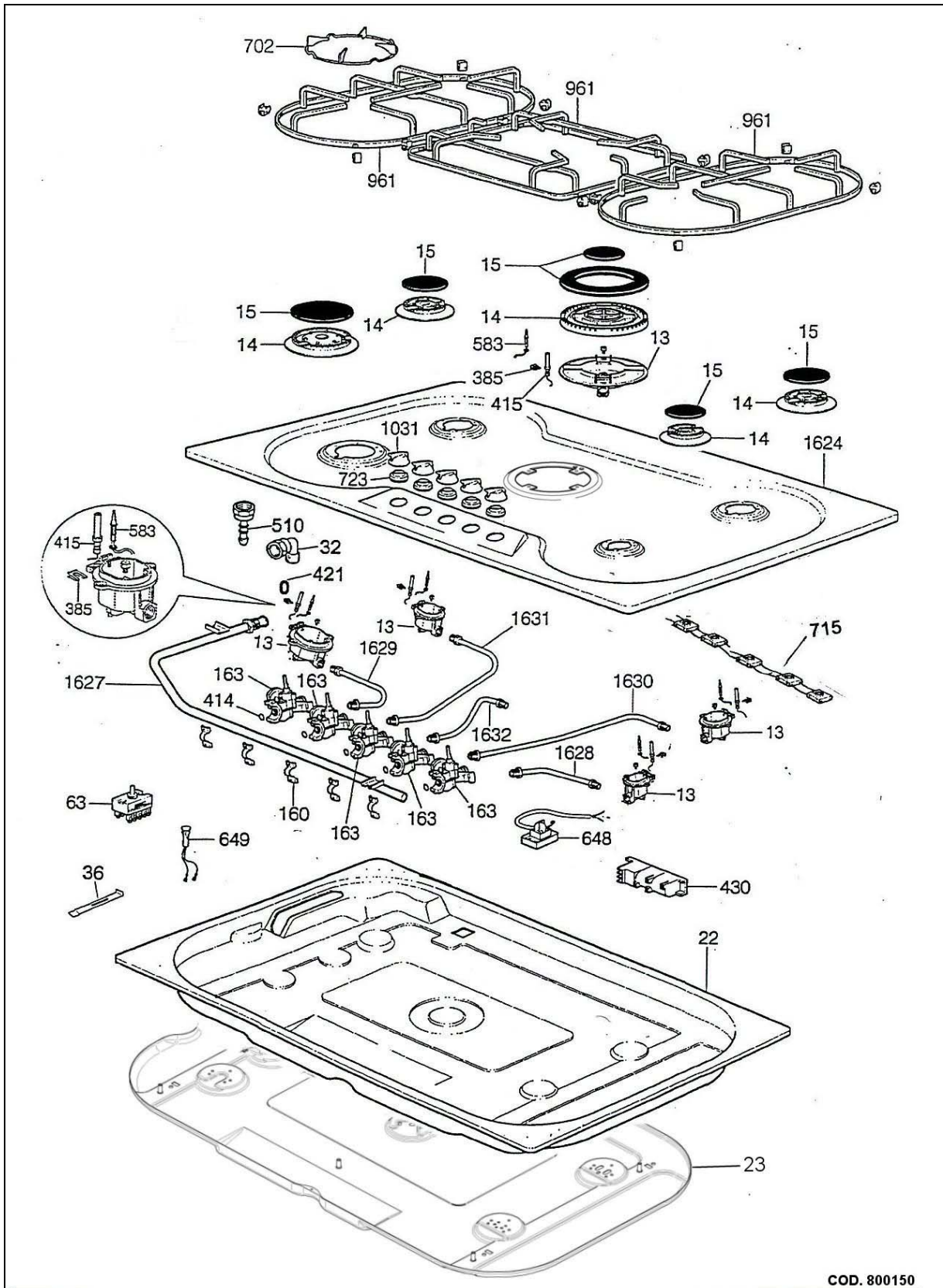
**BERTAZZONI SPA**

VIA PALAZZINA, 8 – 42016 – GUASTALLA (REGGIO E.) ITALY

Tél. 0522/226411 – fax 0522/226440 – <http://www.bertazzoni-italia.com>

Number drawing Ref. vue éclaté	Code Composan	Description	Composant	
1	601620	CABLAGE	CIRCUIT DIAGRAM	1
13	510506	COUPE BRULEUR CORONNE	ULTRA RAPID BURNER	1
13	510507	COUPE BRULEUR PETIT	SMALL BURNER	1
13	510508	COUPE BRULEUR MOYEN	SEMI RAPID BURNER	2
13	510509	COUPE BRULEUR RAPID	RAPID BURNER	1
14	504108	TETE BRULEUR COURONNE	ULTRA RAPID FLAME SPREADER	1
14	504128	TETE BRULEUR PETIT	SMALL FLAME SPREADER	1
14	504129	TETE BRULEUR MOYEN	MEDIUM FLAME SPREADER	2
14	504130	TETE BRULEUR RAPID	RAPID FLAME SPREADER	1
15	504158	COUVERCLE COURONNE AVG	COVER OUT FOR ULTRA RAPID FLAME SPREADER	1
15	504159	COUVERCLE COURONNE AVG	COVER IN FOR ULTRA RAPID FLAME SPREADER	1
15	504160	COUVERCLE PETIT AVD	COVER FOR SMALL FLAME SPREADER	1
15	504161	COUVERCLE MOYEN ARD ARG	COVER FOR MEDIUM BURNER	2
15	504162	COUVERCLE RAPID	COVER FOR RAPID BURNER	1
22	202365	FOND	LOAD BEARING BOTTOM	1
23	202359	PROTECTION DU FOND PORTANT	DOUBLE CARTER P9	1
32	505050	RACCORD COUDE	ELBOW	1
36	202271	CROCHET DE FIXAGE	FIXING HOOK	4
160	309130	CLAMEAUX FIXAGE ROBINETS	BRIDLE FOR FIXING GAS VALVES	5
163	502174	ROBINET BP029	GAS VALVE BY-PASS029 +MICRO FOR IGNITION	1
163	502175	ROBINET BP037	GAS VALVE BY-PASS037 +MICRO FOR IGNITION	2
163	502176	ROBINET BP058	GAS VALVE BY-PASS058 +MICRO FOR IGNITION	1
163	502178	ROBINET BP073	GAS VALVE BY-PASS073 +MICRO FOR IGNITION	1
313	301073	VIS M5X10	SCREW 5MAX10 TCT	4
385	306024	RESSORT DE FIXATION BOUGIE	STOP SPRING FOR SPARK PLUG	5
415	415054	BOUGIE ALLUMAGE FIL 350MM	SPARK PLUG 350MM	2
415	415057	BOUGIE ALLUMAGE FIL 700MM	SPARK PLUG 700MM	2
415	415066	BOUGIE ALLUMAGE BRULEUR COURONNE AVG	SPARK PLUG FOR ULTRA RAPID BURNER	1
421	411044	GARNITURE POUR RACCORD	RUBBER FOR PIPE	2
430	415065	ALLUMAGE	ACCUMULATOR	1
583	508021	THERMOCOUPLE BRUL. 600MM	TERMOCOUPLE MM600	2
583	508025	THERMOCOUPLE BRUL. 300MM	TERMOCOUPLE MM300	2
583	508031	THERMOCOUPLE BRULEUR COURONNE	TERMOCOUPLE	1
648	601990	BOITE A BORNES	TERMINAL SEPARATOR	1
723	411070	GARNITURE	GASKET	5
943	308031	BOUCHON EN CAOUTCHOUC POUR GRILLE FONTE	BUMPER FOR PAN SUPPORT	4
961	408054	GRILLE EN FONTE	CAST IRON GRID 2 BURNERS	2
961	408056	GRILLE EN FONTE	CENTRAL CAST IRON GRID	1
1031	401861	POIGNEE	KNOB	5
1624	210202	SUPPORT INOX	WORK TABLE	1
1627	501398	RAMPE ALIMENTATION	GAS COLLECTOR P910/P990	1
1628	501472	TUYAU BRULEUR	TUBE FOR SMALL BURNER	1
1629	501475	TUYAU BRULEUR	TUBE FOR RAPID BURNER	1
1630	501473	TUYAU BRULEUR	TUBE FOR RIGHT BACK BURNER	2
1632	501477	TUYAU BRULEUR	TUBE FOR CENTRAL BURNER	1

# EXPLODED VIEW



COD. 800150

310177



## Free Manuals Download Website

<http://myh66.com>

<http://usermanuals.us>

<http://www.somanuals.com>

<http://www.4manuals.cc>

<http://www.manual-lib.com>

<http://www.404manual.com>

<http://www.luxmanual.com>

<http://aubethermostatmanual.com>

Golf course search by state

<http://golfingnear.com>

Email search by domain

<http://emailbydomain.com>

Auto manuals search

<http://auto.somanuals.com>

TV manuals search

<http://tv.somanuals.com>