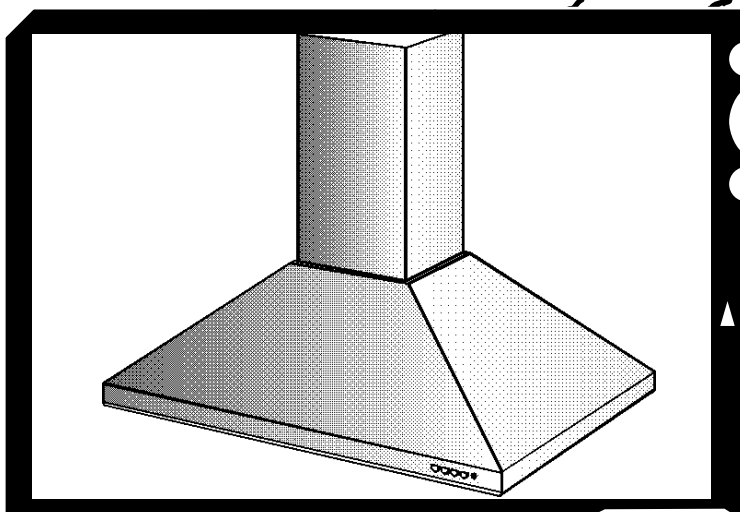


best[®]

by **BROAN**[®]



Model IS23

ENGLISH.....	2
FRANÇAIS.....	13
ESPAÑOL.....	24

BEST BY BROAN P.O. Box 140 Hartford, WI 53027

Download from [Www.Somanuals.com](http://www.Somanuals.com). All Manuals Search And Download.

READ AND SAVE THESE INSTRUCTIONS

 **INTENDED FOR DOMESTIC COOKING ONLY** 

WARNING

TO REDUCE THE RISK OF FIRE, ELECTRIC SHOCK, OR INJURY TO PERSONS, OBSERVE THE FOLLOWING:

1. Use this unit only in the manner intended by the manufacturer. If you have questions, contact the manufacturer at the address or telephone number listed in the warranty.
2. Before servicing or cleaning unit, switch power off at service panel and lock service panel to prevent power from being switched on accidentally. When the service disconnecting means cannot be locked, securely fasten a prominent warning device, such as a tag, to the service panel.
3. Installation work and electrical wiring must be done by a qualified person(s) in accordance with all applicable codes and standards, including fire-rated construction codes and standards.
4. Sufficient air is needed for proper combustion and exhausting of gases through the flue (chimney) of fuel burning equipment to prevent backdrafting. Follow the heating equipment manufacturer's guidelines and safety standards such as those published by the National Fire Protection Association (NFPA), and the American Society for Heating, Refrigeration and Air Conditioning Engineers (ASHRAE), and the local code authorities.
5. When cutting or drilling into wall or ceiling, do not damage electrical wiring and other hidden utilities.
6. Ducted fans must always be vented to the outdoors.
7. Do not use this unit with any separate solid-state speed control device.
8. To reduce the risk of fire, use only metal ductwork.
9. This unit must be grounded.

TO REDUCE THE RISK OF A RANGE TOP GREASE FIRE:

- A. Never leave surface units unattended at high settings. Boilovers cause smoking and greasy spillovers that may ignite. Heat oils slowly on low or medium settings.
- B. Always turn hood ON when cooking at high heat or when flambeing food (i.e. Crepes Suzette, Cherries Jubilee, Peppercorn Beef Flambe').
- C. Clean ventilating fans frequently. Grease should not be allowed to accumulate on fan or filter.
- D. Use proper pan size. Always use cookware appropriate for the size of the surface element.

WARNING

TO REDUCE THE RISK OF INJURY TO PERSONS IN THE EVENT OF A RANGE TOP GREASE FIRE, OBSERVE THE FOLLOWING:*

1. **SMOTHER FLAMES** with a close-fitting lid, cookie sheet, or metal tray, then turn off the burner. **BE CAREFUL TO PREVENT BURNS.** If the flames do not go out immediately, **EVACUATE AND CALL THE FIRE DEPARTMENT.**
2. **NEVER PICK UP A FLAMING PAN** - You may be burned.
3. **DO NOT USE WATER**, including wet dishcloths or towels - violent steam explosion will result.
4. Use an extinguisher **ONLY** if:
 - A. You know you have a Class ABC extinguisher and you already know how to operate it.
 - B. The fire is small and contained in the area where it started.
 - C. The fire department is being called.
 - D. You can fight the fire with your back to an exit.

* Based on "Kitchen Fire Safety Tips" published by NFPA.

CAUTION

1. To reduce risk of fire and to properly exhaust air, be sure to duct air outside. Do not vent exhaust air into spaces within walls or ceilings or into attics, crawl spaces, or garages.
2. Take care when using cleaning agents or detergents.
3. Avoid using food products that produce flames under the Range Hood.
4. For general ventilating use only. Do not use to exhaust hazardous or explosive materials and vapors.
5. To avoid motor bearing damage and noisy and/or unbalanced impellers, keep drywall spray, construction dust, etc. off power unit.
6. Your hood motor has a thermal overload which will automatically shut off the motor if it becomes overheated. The motor will restart when it cools down. If the motor continues to shut off and restart, have the hood serviced.
7. For best capture of cooking impurities, the bottom of the hood should be a minimum of 24" and a maximum of 30" above the cooking surface. See "Adjust Support Frame" section for mounting restrictions.
8. 3 installers are recommended because of the large size and weight of this hood.
9. This product is equipped with a thermostat which may start blower automatically. To reduce the risk of injury and to prevent power from being switched on accidentally, switch power off at service panel and lock or tag service panel.
10. Use with approved cord-connection kit only.
11. Please read specification label on product for further information and requirements.

OPERATION

Controls

The hood is operated using the (4) push-buttons located at eye-level, on the front edge of the hood.

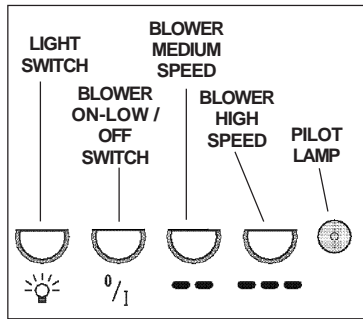
The **light switch** turns the lights on and off.

The **blower on-low / off switch** turns the blower on to its lowest running speed. The blower must be turned on using this switch. Turn the blower off by pressing this switch a second time.

The **blower medium speed switch** changes the blower speed to medium. This switch works only if the blower is already running at low or high speed.

The **blower high speed switch** changes the blower speed to high. This switch works only if the blower is already running at low or medium speed.

The **pilot lamp** lights up whenever the blower is on.



HEAT SENTRY™

Your hood is equipped with a HEAT SENTRY™ thermostat. This thermostat is a device that will turn on or speed up the blower if it senses excessive heat above the cooking surface.

- 1) If blower is OFF - it turns blower ON to HIGH speed.
 - 2) If blower is ON at a lower speed setting - it turns blower up to HIGH speed.
- When the temperature level drops to normal, the blower will return to its original setting.

WARNING

The HEAT SENTRY thermostat can start the blower even if the hood is turned OFF. When this occurs, it is impossible to turn the blower OFF with its switch. If you must stop the blower, do it from the main electrical panel.

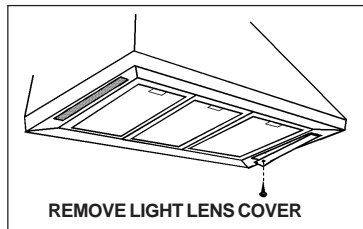
LIGHT BULBS

This hood requires two 9-Watt fluorescent light bulbs.

ALWAYS SWITCH OFF THE ELECTRICITY SUPPLY BEFORE CARRYING OUT ANY OPERATIONS ON THE APPLIANCE.

To change bulbs:

1. Remove the light lens cover.
2. Remove the bulb by pulling sideward (Do not rotate). CAUTION: BULB MAY BE HOT!
3. Replace with a bulb of the same type.

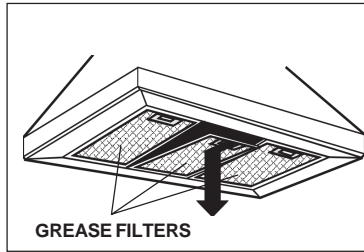


MAINTENANCE

Grease Filters

The **grease filters** should be cleaned frequently. Use a warm detergent solution. Grease filters are dishwasher safe.

See "Install Filter" section for installation and removal instructions.



Ductfree Filters

The ductfree filters should be changed every 6 months. See "Install Filter" section for installation and removal instructions.

Hood Cleaning

Stainless steel is one of the easiest materials to keep clean. Occasional care will help preserve its fine appearance.

Cleaning tips:

- Hot water with soap or detergent is all that is usually needed.
- Follow all cleaning by rinsing with clear water. Wipe dry with a clean, soft cloth to avoid water marks.
- For discolorations or deposits that persist, use a non-scratching household cleanser or stainless steel polishing powder with a little water and a soft cloth.
- For stubborn cases, use a plastic scouring pad or soft bristle brush together with cleanser and water. Rub lightly in direction of polishing lines or "grain" of the stainless finish. Avoid using too much pressure which may mar the surface.
- **DO NOT** allow deposits to remain for long periods of time.
- **DO NOT** use ordinary steel wool or steel brushes. Small bits of steel may adhere to the surface causing rust.
- **DO NOT** allow salt solutions, disinfectants, bleaches, or cleaning compounds to remain in contact with stainless steel for extended periods. Many of these compounds contain chemicals which may be harmful. Rinse with water after exposure and wipe dry with a clean cloth.

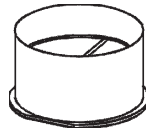
Painted surfaces should be cleaned with warm water and mild detergent only.

PREPARE THE HOOD

Unpack hood and check contents.

You should receive:

- 1 - Hood
- 1 - Decorative Flue Assembly
- 1 - Support Frame
- 1 - Parts Bag (B080810532) containing:
 - 4 - Mounting Screws (6 x 70mm)
 - 8 - Washers 6.4mm
 - 8 - Mounting Screws (3.9 x 9.5mm Pan Head)
 - 4 - Nuts
 - 1 - Duct Collar
 - 1 - Electrical Box
 - 1 - Electrical Box Cover
 - 1 - Wire Clamp
 - 4 - Serrated Washers
- 1 - Ductfree Plenum + #4 screws
- 1 - Installation Instructions
- 1 - Warranty Card



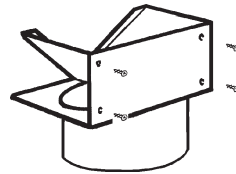
DUCT COLLAR



8 WASHERS
6.4mm



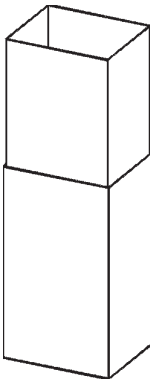
4 NUTS



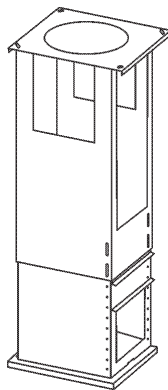
DUCTFREE PLENUM
+ #4 SCREWS



4 SERRATED
WASHERS



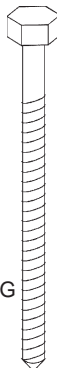
DECORATIVE
FLUE



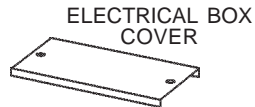
SUPPORT FRAME



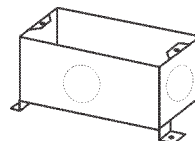
8 MOUNTING
SCREWS
(3.9x9.5mm
Pan Head)



4 MOUNTING
SCREWS
(6x70mm)



ELECTRICAL BOX
COVER



ELECTRICAL BOX



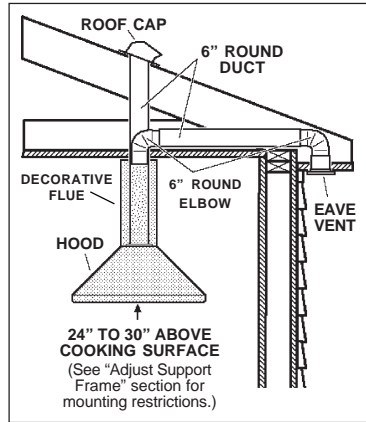
WIRE CLAMP

INSTALL THE DUCTWORK

Ducted configuration only.

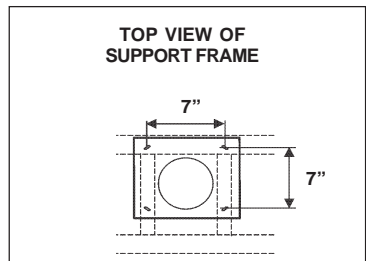
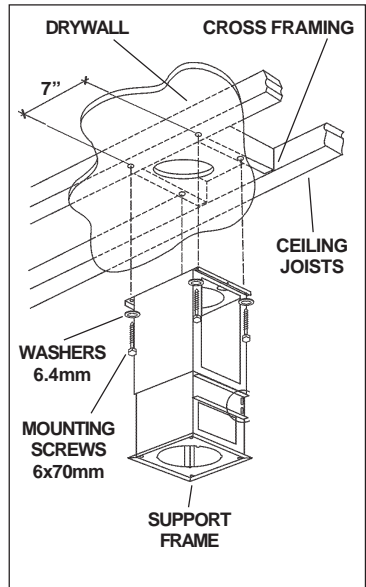
NOTE: To reduce the risk of fire, use only metal ductwork.

1. Decide where the ductwork will run between the hood and the outside.
2. A straight, short duct run will allow the hood to perform most efficiently.
3. Long duct runs, elbows, and transitions will reduce the performance of the hood. Use as few of them as possible.
4. Install a roof or wall cap. Connect 6" round metal ductwork to cap and work back towards hood location. Use duct tape to seal the joints between ductwork sections.



INSTALL SUPPORT SYSTEM

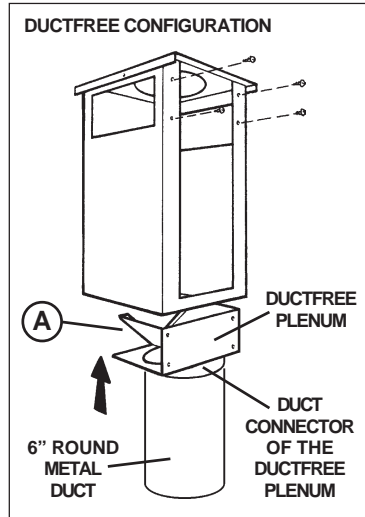
1. At hood location, install 2 X 4 **cross framing** between **ceiling joists** using dimensions shown.
2. Finish the ceiling surface. Be sure to mark the location of the ceiling joists and cross framing.



INSTALL DUCTFREE PLENUM

Ductfree configuration only.

1. Remove (4) screws and washers from the support frame assembly and separate both halves.
2. Attach a piece of 6" metal duct to the connector of the plenum. Calculate the height of the metal duct proceeding as follows: determining the support frame length (using the table shown below) and subtract 135 mm (5-5/16").
Use aluminum duct tape to seal joints and make air tight.
3. Insert the ductfree plenum up into the upper support frame. Air outlets "A" of the plenum must be aligned with openings in the upper support frame.
4. Secure the plenum to the upper support frame with (4) 3.9 x 9.5 mm screws.

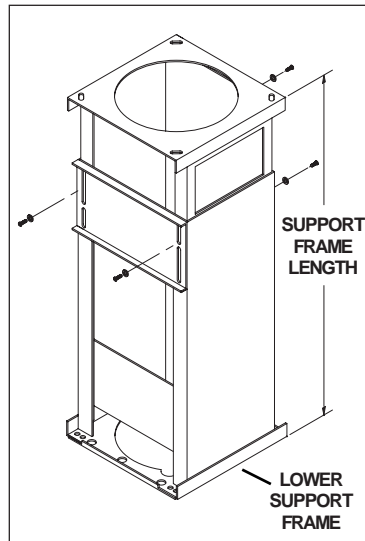


ADJUST SUPPORT FRAME HEIGHT

Ducted and Ductfree configurations.

NOTE: FOR INSTALLATION IN ROOMS HAVING 10-FOOT CEILINGS, PURCHASE FLUE EXTENSION MODEL FEXTIS23. DISCARD THE SUPPORT FRAME PROVIDED WITH THE HOOD. USE THE LONGER FRAME SUPPLIED WITH THE FLUE EXTENSION.

1. Ducted Configuration: remove (4) screws and washers from the support frame assembly.
2. Determine the distance between the range hood and the cooktop. See chart below for mounting height restrictions. Hood must be mounted a minimum of 24" above the cooktop. A maximum of 30" is recommended for best capture of cooking impurities. Distances over 30" are at the user's discretion.
3. Adjust the overall height of the support frame. Refer to the chart to adjust the support frame to the proper length.

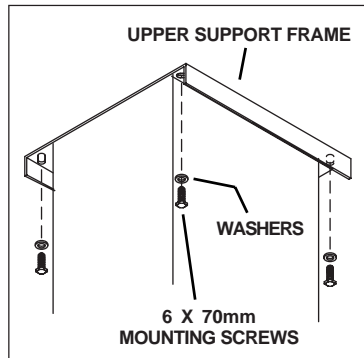


CEILING HEIGHT	HOOD DISTANCE ABOVE 36" HIGH COOK TOP						
	24"	25"	26"	27"	28"	29"	30"
	SUPPORT FRAME LENGTH						
8 FEET	25-3/8"	24-3/8"	23-3/8"	22-3/8"			
9 FEET					33-3/8"	32-3/8"	31-3/8"
10 FEET WITH FEXTIS23			47-3/8"	46-3/8"	45-3/8"	44-3/8"	43-3/8"

4. Reassemble the upper and lower support frame with (4) sheet metal screws and washers.

INSERT SUPPORT FRAME

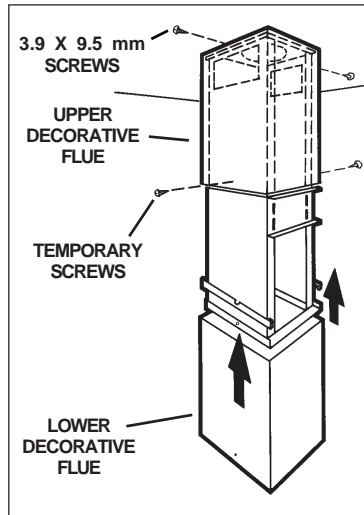
1. Attach the support frame assembly to the ceiling with (4) washers and (4) 6 x 70mm mounting screws. Make sure the "UP" arrow is pointed towards the ceiling. The side marked "FRONT" must align with the range hood's control panel.



INSTALL DECORATIVE FLUES

NOTE: FOR INSTALLATION IN ROOMS HAVING 10-FOOT CEILINGS, PURCHASE FLUE EXTENSION MODEL FEXTIS23. DISCARD THE UPPER DECORATIVE FLUE PROVIDED WITH THE HOOD. REPLACE WITH THE LONGER UPPER FLUE SUPPLIED WITH THE FLUE EXTENSION.

1. Raise the upper decorative flue into position on the support frame. Secure the upper flue to the support frame with (2) 3.9 x 9.5 mm screws.
2. Slide the lower flue over the upper flue. Temporarily hold the flue up (with 2 temporary screws 3.9x9.5mm) until the hood is installed and electrical connection are made.



INSTALL DUCT CONNECTOR

Ductfree configurations only.

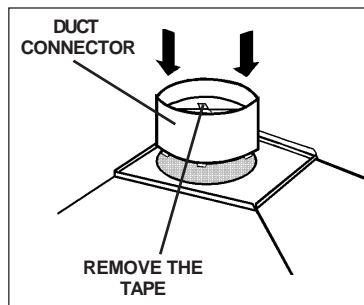
1. Remove and discard the backdraft damper flaps from the duct connector.

Ducted and Ductfree configurations.

2. Install the duct connector in the round opening on top of the range hood. Push down until it snaps into place and is securely engaged.

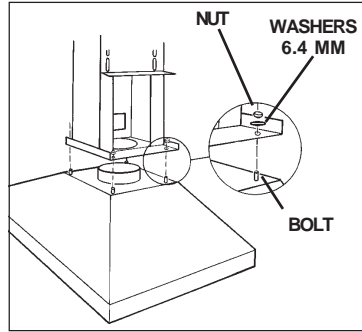
Ducted configurations only.

3. Remove the tape located on the damper.
4. Attach 6" round metal duct to the duct connector. Use duct tape to seal joints and make air tight.



INSTALL RANGE HOOD

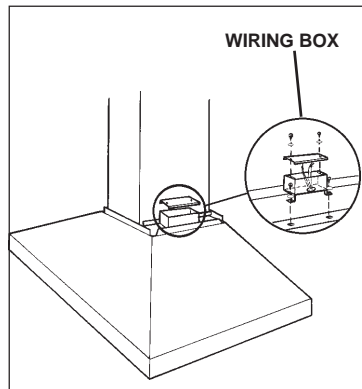
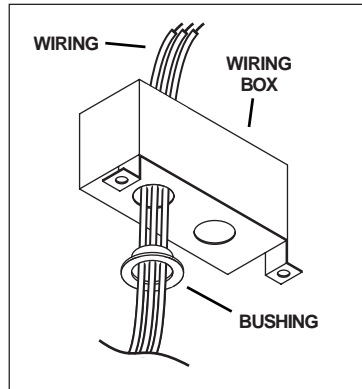
1. Raise the hood up into position under the range hood. Control switches must be located on the support frame side marked "FRONT".
2. Attach the hood using (4) washers and (4) hex nuts.



INSTALL ELECTRICAL WIRING

NOTE: ELECTRICAL WIRING MUST BE DONE BY A QUALIFIED PERSON(S) IN ACCORDANCE WITH ALL APPLICABLE CODES AND STANDARDS, INCLUDING FIRE-RATED CONSTRUCTION CODES AND STANDARDS. THIS RANGE HOOD MUST BE PROPERLY GROUNDED. TURN OFF POWER AT SERVICE ENTRANCE BEFORE WIRING THIS HOOD.

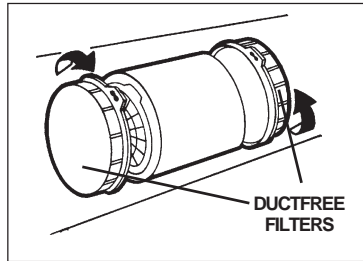
1. Remove a knockout from the bottom of the wiring box and one from the side.
2. Install the plastic bushing into the bottom hole. Route the black, white, and green ground wires from the hood into the wiring box.
3. Secure the wiring box to the hood with (2) 3.9 x 9.5 mm screws and (2) serrated washers.
4. Feed 6" of power cable into the wiring box. Secure cable to the wiring box using an appropriate connector.
5. Make electrical connections. Wire black to black, white to white, and green to ground.
6. Push all wiring inside the wiring box. Make sure wires are not pinched. Install cover and secure with (2) 3.9 x 9.5 mm screws and (2) serrated washers.
7. Remove the (2) temporary screws and move the lower flue down into position on the hood. Secure with (2) 3.9 x 13 mm screws.



DUCTFREE FILTER INSTALLATION

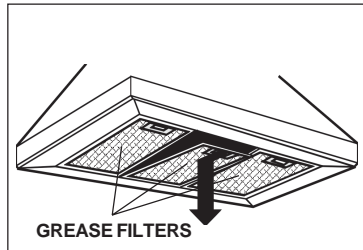
Ductfree configuration only.

1. Purchase a ductfree filter kit (Model "Round Filter") from your dealer.
2. Position the filters over the filter supports on the blower.
3. To install: Rotate filters to lock filters in place.
4. To remove: Reverse rotation and pull the filter off.



Ducted and Ductfree configurations.

1. To remove grease filters: Grip the latch tab and pull it down. This will disengage the filter from the hood. Tilt the filter downward to remove.
2. To install the grease filters: Align rear filter tabs with slots in the hood. Pull latch tab down, push filter into place, and release. Make sure the filters are securely engaged after assembly.



WARRANTY

BROAN ONE YEAR LIMITED WARRANTY

Broan warrants to the original consumer purchaser of its products that such products will be free from defects in materials or workmanship for a period of one year from the date of original purchase. THERE ARE NO OTHER WARRANTIES, EXPRESS OR IMPLIED, INCLUDING, BUT NOT LIMITED TO, IMPLIED WARRANTIES OR MERCHANT ABILITY OR FITNESS FOR A PARTICULAR PURPOSE.

During this one-year period, Broan will, at its option, repair or replace, without charge, any product or part which is found to be defective under normal use and service.

THIS WARRANTY DOES NOT EXTEND TO FLUORESCENT LAMP STARTERS, TUBES, HALOGEN AND INCANDESCENDT BULBS. This warranty does not cover (a) normal maintenance and service or (b) any products or parts which have been subject to misuse, negligence, accident, improper maintenance or repair (other than by Broan), faulty installation or installation contrary to recommended installation instructions.

The duration of any implied warranty is limited to the one-year period as specified for the express warranty. Some states do not allow limitation on how long an implied warranty lasts, so the above limitation may not apply to you.

BROAN'S OBLIGATION TO REPAIR OR REPLACE, AT BROAN'S OPTION, SHALL BE THE PURCHASER'S SOLE AND EXCLUSIVE REMEDY UNDER THIS WARRANTY. BROAN SHALL NOT BE LIABLE FOR INCIDENTAL, CONSEQUENTIAL OR SPECIAL DAMAGES ARISING OUT OF OR IN CONNECTION WITH PRODUCT USE OR PERFORMANCE. Some states do not allow the exclusion or limitation of incidental or consequential damages, so the above limitation or exclusion may not apply to you.

This warranty gives you specific legal rights, and you may also have other rights, which vary from state to state. This warranty supersedes all prior warranties.

To qualify for warranty service, you must (a) notify Broan at the address stated below or telephone: 1-800-637-1453, (b) give the model number and part identification and (c) describe the nature of any defect in the product or part. At the time of requesting warranty service, you must present evidence of the original purchase date.

BEST BY BROAN, P.O. Box 140 Hartford, Wisconsin 53027

VEUILLEZ LIRE CES DIRECTIVES ET LES CONSERVER

 **POUR USAGE DOMESTIQUE SEULEMENT** 

AVERTISSEMENT

OBSERVEZ LES DIRECTIVES CI-DESSOUS DE MANIÈRE À RÉDUIRE LES RISQUES D'INCENDIE, DE CHOC ÉLECTRIQUE OU DE BLESSURES CORPORELLES :

1. N'utilisez cet appareil que de la manière prévue par le fabricant. Si vous avez des questions, communiquez avec le fabricant à l'adresse ou au numéro de téléphone indiqués dans la garantie.
2. Avant de procéder à la réparation ou à l'entretien de l'appareil, coupez l'alimentation du panneau d'entrée d'électricité et verrouillez l'interrupteur principal afin d'empêcher que le courant ne soit accidentellement rétabli. S'il est impossible de verrouiller l'interrupteur principal, fixez solidement un message d'avertissement, par exemple une étiquette, au panneau d'entrée d'électricité.
3. La pose de l'appareil et les travaux d'électricité doivent être effectués par des personnes qualifiées conformément à la réglementation en vigueur, notamment les normes de la construction ayant trait à la protection contre les incendies.
4. Pour éviter les refoulements, l'apport d'air doit être suffisant pour brûler les gaz produits par les appareils à combustion et les évacuer dans le conduit de fumée (cheminée). Respectez les directives du fabricant de l'appareil de chauffage et les normes de sécurité, notamment celles publiées par la National Fire Protection Association (NFPA), l'American Society for Heating, Refrigeration and Air Conditioning Engineers (ASHRAE) et les codes des autorités locales.
5. Veillez à ne pas endommager le câblage électrique ou d'autres équipements non apparents lors de la découpe ou du perçage du mur ou du plafond.
6. Les ventilateurs canalisés doivent toujours être ventilés à l'air libre.
7. N'utilisez pas de commande de régime à semi-conducteurs conjointement avec cet appareil.
8. Pour réduire les risques d'incendie, utilisez seulement des conduits en acier.
9. Cet appareil doit être mis à la terre.

POUR RÉDUIRE LES RISQUES D'INCENDIE CAUSÉS PAR DE LA GRAISSE SUR LE PLAN DE CUISSON :

- A. Ne laissez jamais les éléments de surface allumés à haute température. Les débordements peuvent causer de la fumée et occasionner des écoulements de graisse inflammables. L'huile doit être chauffée graduellement à basse ou à moyenne température.
- B. Mettez toujours la hotte EN FONCTION (ON) lors de la cuisson à haute température ou lors de la cuisson d'aliments à flamber.
- C. Nettoyez souvent la hotte. Ne laissez pas la graisse s'accumuler sur le ventilateur ou le filtre.
- D. Utilisez des casseroles de dimension appropriée. Utilisez toujours une batterie de cuisine adaptée à la dimension des éléments de surface.

AVERTISSEMENT

OBSERVEZ LES CONSIGNES SUIVANTES DE MANIÈRE À RÉDUIRE LES RISQUES DE BLESSURES CORPORELLES EN CAS D'INCENDIE CAUSÉ PAR DE LA GRAISSE SUR LE PLAN DE CUISSON :*

1. ÉTOUFFEZ LES FLAMMES à l'aide d'un couvercle étanche, d'une tôle à biscuits ou d'un plateau en métal puis éteignez le brûleur. FAITES ATTENTION DE NE PAS VOUS BRÛLER. Si les flammes ne s'éteignent pas immédiatement, QUITTEZ LES LIEUX ET APPELEZ LE SERVICE DES INCENDIES.
 2. NE SOULEVEZ JAMAIS UNE CASSEROLE EN FLAMMES - vous pourriez vous brûler.
 3. N'UTILISEZ PAS D'EAU, ni de serviettes ou de linges mouillés - une violente explosion de vapeur pourrait survenir.
 4. Utilisez un extincteur SEULEMENT si :
 - A. Vous savez qu'il est de classe ABC et vous connaissez déjà son mode de fonctionnement.
 - B. L'incendie n'est pas très important et ne se propage pas.
 - C. Vous avez déjà téléphoné au service des incendies.
 - D. Vous pouvez combattre l'incendie en faisant dos à une sortie.
- * Conseils tirés de la publication de la NFPA « Kitchen Fire Safety Tips ».

ATTENTION

1. Pour réduire le risque d'incendie et évacuer l'air correctement, assurez-vous qu'il est canalisé à l'extérieur. Ne pas évacuer l'air dans des espaces enfermés par des murs ou un plafond ou dans un grenier, un vide sanitaire ou un garage.
2. Faites attention lorsque vous utilisez des agents nettoyants ou des détergents.
3. Évitez d'utiliser des produits alimentaires pouvant produire des flammes sous la hotte.
4. Cet appareil ne doit servir qu'à la ventilation générale. Il ne doit pas être utilisé pour éliminer des matières ou des vapeurs dangereuses ou explosives.
5. Pour éviter d'endommager les roulements de moteur, de déséquilibrer les pales ou de les rendre bruyantes, débarrassez l'appareil de la poussière de plâtre, de construction, etc.
6. Le moteur de la hotte est muni d'un dispositif de protection de surcharge électrique qui coupe automatiquement le moteur en cas de surchauffe. Il se remet en marche lorsqu'il a refroidi. Faites réparer la hotte si le moteur continue à fonctionner par intermittence.
7. Pour mieux capter les vapeurs de cuisson, le bas de la hotte doit être au minimum à 61 cm (24 po) et au maximum à 76 cm (30 po) de la surface de cuisson. Pour les restrictions s'appliquant au montage, voir la section « Réglage de la hauteur du châssis de suspension ».
8. Il est recommandé que les installateurs soient 3, compte tenu de la taille et du poids de cette hotte.
9. Ce produit est doté d'un thermostat qui peut faire démarrer automatiquement le ventilateur. Pour réduire les risques de blessures, coupez l'alimentation électrique sur le panneau d'électricité et verrouillez-le ou accrochez-y une étiquette de manière à éviter que le courant ne soit rétabli par accident.
10. À utiliser uniquement avec l'ensemble de connexion approuvé.
11. Veuillez lire l'étiquette de spécifications du produit pour obtenir plus de renseignements, notamment sur les normes.

UTILISATION

Commandes

La hotte fonctionne à l'aide de quatre (4) boutons-poussoirs situés à hauteur des yeux, sur la face avant.

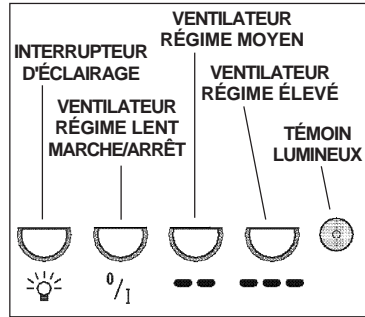
L'**interrupteur d'éclairage** allume et éteint les lumières.

L'**interrupteur de ventilateur régime lent marche/arrêt** fait démarrer le ventilateur à son régime le plus lent. Le ventilateur doit être mis en marche à l'aide de cet interrupteur. Pour arrêter le ventilateur, il suffit d'appuyer une deuxième fois sur l'interrupteur.

L'**interrupteur de ventilateur régime moyen** place le ventilateur en vitesse moyenne. Cet interrupteur ne fonctionne que si le ventilateur est déjà en marche en régime lent ou élevé.

L'**interrupteur de ventilateur régime élevé** place le ventilateur en haute vitesse. Cet interrupteur ne fonctionne que si le ventilateur est déjà en marche en régime lent ou moyen.

Le **témoin lumineux** s'allume dès que le ventilateur est en marche.



HEAT SENTRY^{MC}

Votre hotte est munie d'un thermostat HEAT SENTRY^{MC}. Ce thermostat est un dispositif qui actionnera ou augmentera la vitesse du ventilateur s'il détecte une chaleur excessive au-dessus de la surface de cuisson.

- 1) Si le ventilateur n'est pas en marche - il actionnera le ventilateur en haute vitesse.
- 2) Si le ventilateur fonctionne en basse vitesse - le ventilateur tournera en haute vitesse.

Lorsque la température revient à la normale, le ventilateur retourne à sa vitesse d'origine.

AVERTISSEMENT

Le thermostat HEAT SENTRY^{MC} peut actionner la hotte même si la hotte est arrêtée. Si tel est le cas, il est impossible de l'arrêter avec l'interrupteur. Si vous devez arrêter le ventilateur, faites-le à partir du panneau électrique principal.

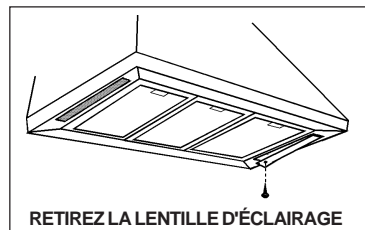
AMPOULES

Cette hotte requiert deux ampoules fluorescentes de 9 watts.

COUPEZ TOUJOURS L'ALIMENTATION ÉLECTRIQUE AVANT D'EFFECTUER TOUTE OPÉRATION SUR CET APPAREIL.

Pour remplacer les ampoules :

1. Retirez la lentille d'éclairage.
2. Retirez l'ampoule en la tirant sur le côté (et non en la tournant). **ATTENTION : L'AMPOULE PEUT ÊTRE BRÛLANTE !**
3. Remplacez-la par une ampoule du même type.

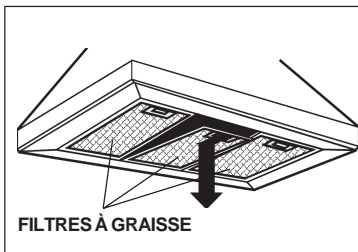


ENTRETIEN

Filtres à graisse

Les **filtres à graisse** doivent être nettoyés fréquemment. Utilisez une solution tiède de détergent. Ces filtres peuvent aller au lave-vaisselle.

Voir la section « Installation des filtres » pour les instructions concernant leur pose et leur démontage.



Filtres non canalisés

Les filtres non canalisés doit être remplacés tous les 6 mois. Voir la section « Installation des filtres » pour les instructions concernant leur pose et leur démontage.

Nettoyage de la hotte

L'acier inoxydable est l'un des matériaux les plus faciles à nettoyer. Quelques soins contribueront à préserver sa belle apparence.

Conseils de nettoyage :

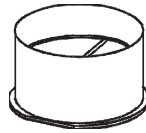
- Il suffit habituellement d'utiliser de l'eau chaude savonneuse ou additionnée de détergent.
- Après le nettoyage, rincez toujours à l'eau claire. Essuyez la surface avec un chiffon propre et doux pour éviter les stries.
- Pour les ternissures ou les dépôts tenaces, utilisez un nettoyant domestique non-abrasif ou une poudre à polir l'acier inoxydable avec un peu d'eau et un chiffon doux.
- Pour la saleté rebelle, utilisez un tampon à récurer en plastique ou une brosse à poils doux avec un nettoyant et de l'eau. Frottez doucement dans le sens des lignes de polissage ou du « grain » de l'acier. Évitez de trop appuyer au risque de gâcher la surface.
- **NE LAISSEZ PAS** les dépôts s'accumuler trop longtemps.
- **N'UTILISEZ PAS** une laine d'acier ordinaire ou une brosse d'acier. De petites particules d'acier risqueraient d'adhérer à la surface et de la faire rouiller.
- **NE LAISSEZ PAS** une solution saline, un désinfectant, de l'eau de javel ou tout autre produit détachant rester longtemps en contact avec l'acier inoxydable. Bon nombre de ces nettoyants contiennent des produits pouvant en altérer la surface. Après l'utilisation du nettoyant, rincez la surface à l'eau et essuyez-la avec un chiffon propre.

Nettoyez les surfaces peintes uniquement à l'eau tiède avec un détergent doux.

PRÉPARATION DE LA HOTTE

Déballer la hotte et vérifiez le contenu de la boîte.
Celle-ci doit contenir les éléments suivants :

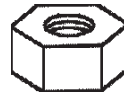
- 1 - Hotte
- 1 - Conduit décoratif de cheminée
- 1 - Châssis de suspension
- 1 - Sac de plastique (B080810532) contenant :
 - 4 - Vis de montage (6 x 70 mm)
 - 8 - Rondelles de 6,4 mm
 - 8 - Vis de montage (3,9 x 9,5 mm - à tête cylindrique)
 - 4 - Écrous
 - 1 - Raccord de conduit
 - 1 - Boîtier de connexion électrique
 - 1 - Couverture de boîtier de connexion électrique
 - 1 - Serre cable
 - 4 - Rondelles dentées
- 1 - Dérivation non canalisée + #4 vis
- 1 - Directives d'installation
- 1 - Carte de garantie



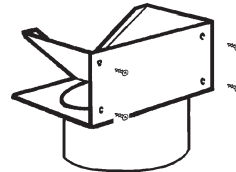
RACCORD DE CONDUIT



8 RONDELLES DE 6,4 MM



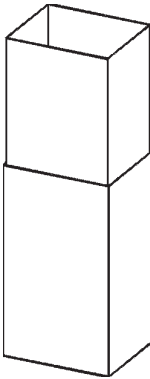
4 ÉCROUS



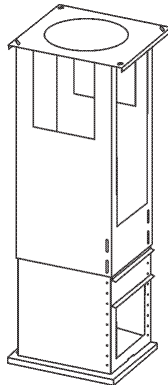
DÉRIVATION NON CANALISÉE + #4 VIS



4 RONDELLES DENTÉES

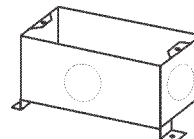


CONDUIT DÉCORATIF DE CHEMINÉE

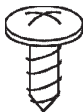


CHÂSSIS DE SUSPENSION

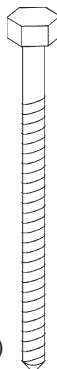
COUVERCLE BOÎTIER DE CONNEXION ÉLECTRIQUE



BOÎTIER DE CONNEXION ÉLECTRIQUE



8 VIS DE MONTAGE (3,9 x 9,5 mm - à tête cylindrique)



4 VIS DE MONTAGE (6 x 70 MM)



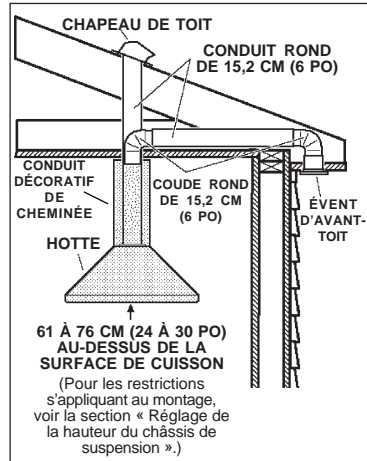
SERRE CABLE

POSE DU CONDUIT

Installation avec conduit seulement.

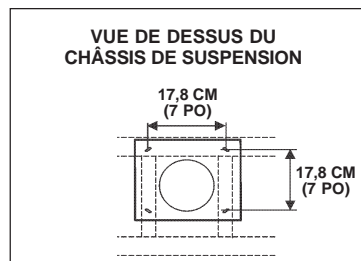
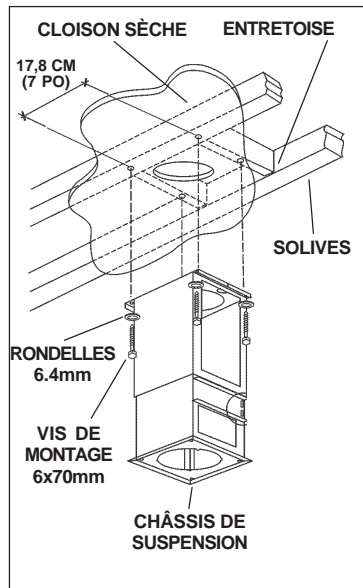
REMARQUE : Pour réduire les risques d'incendie, utilisez seulement des conduits en métal.

1. Planifiez la pose du conduit en déterminant son tracé entre la hotte et l'extérieur de la maison.
2. Un tracé droit et court permet à la hotte d'être plus efficace.
3. Des conduits longs, des coudes et des transitions réduisent son efficacité. N'en utilisez que le moins possible.
4. Installez le chapeau mural ou de toit. Connectez un conduit rond en métal de 15,2 cm (6 po) au chapeau en progressant vers la hotte. Scellez les joints avec du ruban à conduit à chaque section.



INSTALLATION DU SYSTÈME DE SUSPENSION

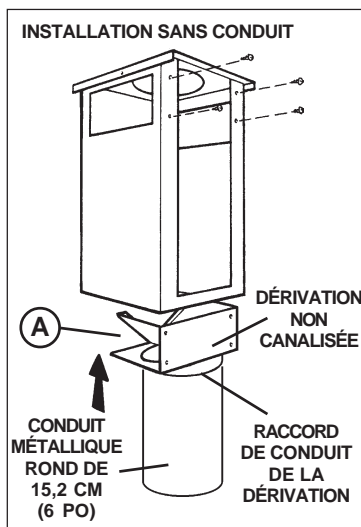
1. À l'emplacement choisi pour la hotte, installez des **entretoises** de 2 X 4 entre les **solives du plafond** selon les dimensions illustrées.
2. Finissez la surface du plafond. Marquez la position des solives et des entretoises.



INSTALLATION DE LA DÉRIVATION NON CANALISÉE

Installation sans conduit seulement.

1. Enlevez les (4) vis et rondelles du châssis de suspension et séparez les deux sections.
2. Fixez un bout de conduit de 15,2 cm (6 po) en métal au raccord de la dérivation.
Calculer la hauteur du conduit métallique en agissant de la manière suivante: déterminer la longueur du châssis de suspension (avec le tableau indiqué ci-dessous) et enlever 135 mm (5-5/16"). Étanchéisez tous les joints avec du ruban d'aluminium.
3. Insérez la dérivation non canalisée dans le châssis de suspension du haut. Les sorties d'air « A » de la dérivation doivent être alignées avec les ouvertures du châssis de suspension du haut.
4. Fixez la dérivation au châssis de suspension du haut avec (4) vis de 3,9 x 9,5 mm.

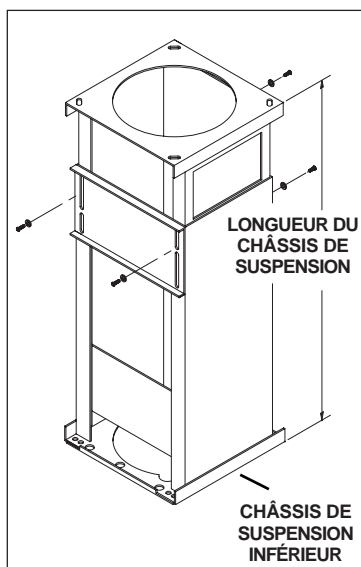


RÉGLAGE DE LA HAUTEUR DU CHÂSSIS DE SUSPENSION

Installation avec ou sans conduit.

REMARQUE : POUR LES PIÈCES DONT LE PLAFOND EST À 305 CM (10 PIEDS), PROCUREZ-VOUS LA RALLONGE DE CHEMINÉE MODÈLE FEXTIS23. N'UTILISEZ PAS LE CHÂSSIS DE SUSPENSION FOURNI AVEC LA HOTTE. UTILISEZ LE CHÂSSIS DE SUSPENSION FOURNI AVEC LA RALLONGE DE CHEMINÉE.

1. Installation avec conduit: enlevez les (4) vis et rondelles du châssis de suspension.
2. Déterminez la distance entre la hotte et la surface de cuisson. Voir le tableau ci-dessous pour les restrictions s'appliquant au montage. La hotte doit être à au moins 61 cm (24 po) au-dessus de la surface de cuisson. Il est conseillé de ne pas la placer à plus de 76 cm (30 po) pour mieux capter les vapeurs de cuisson. Une distance supérieure à 76 cm (30 po) est laissée à la discrétion de l'utilisateur.
3. Réglez la longueur totale du châssis de suspension. Reportez-vous au tableau pour régler le châssis à la bonne longueur.

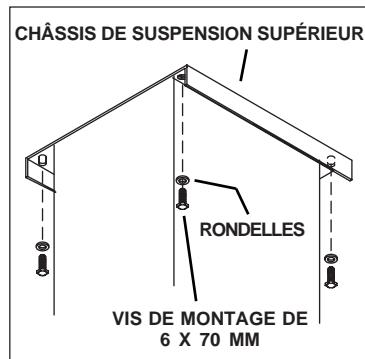


HAUTEUR DU PLAFOND	DISTANCE DE PLUS DE 90 CM (36 PO) AU-DESSUS DE LA SURFACE DE CUISSON						
	24 PO	25 PO	26 PO	27 PO	28 PO	29 PO	30 PO
LONGUEUR DU CHÂSSIS DE SUSPENSION							
244 CM (8 PI)	25-3/8 PO	24-3/8 PO	23-3/8 PO	22-3/8 PO			
274 CM (9 PI)					33-3/8 PO	32-3/8 PO	31-3/8 PO
305 CM (10 PI) AVEC FEXTIS23			47-3/8 PO	46-3/8 PO	45-3/8 PO	44-3/8 PO	43-3/8 PO

- Réassemblez les parties supérieure et inférieure du châssis avec les (4) vis à métal et les rondelles.

INSERTION DU CHÂSSIS DE SUSPENSION

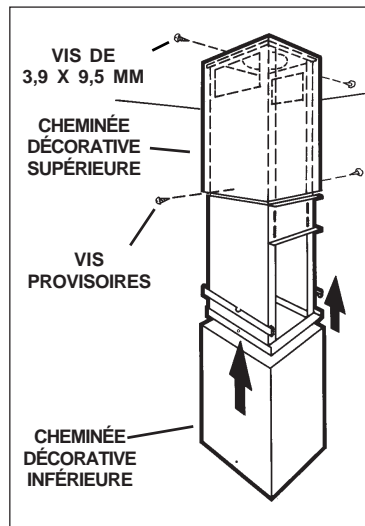
- Fixez l'ensemble du châssis de suspension au plafond avec (4) rondelles et (4) vis de montage de 6 x 70 mm. Assurez-vous que la flèche « HAUT/UP » pointe vers le plafond. Le côté marqué « AVANT/FRONT » doit être aligné avec le panneau de commande de la hotte.



INSTALLATION DE LA CHEMINÉE DÉCORATIVE

REMARQUE : POUR LES PIÈCES DONT LE PLAFOND EST À 305 CM (10 PIEDS), PROCUREZ-VOUS LA RALLONGE DE CHEMINÉE MODÈLE FEXTIS23. UTILISEZ LA SECTION SUPÉRIEURE DE CHEMINÉE FOURNIE AVEC LA RALLONGE DE CHEMINÉE.

- Soulevez la section supérieure de la cheminée décorative en place sur le châssis de suspension. Fixez cette section de cheminée au châssis de suspension avec (2) vis de 3,9 x 9,5 mm.
- Glissez la section inférieure de la cheminée par-dessus la section du haut. Maintenez temporairement la cheminée soulevée (au moyen de 2 vis 3.9x9.5mm) jusqu'à ce que la hotte soit installée et ses connexions électriques terminées.



INSTALLATION DU RACCORD DE CONDUIT

Installation sans conduit seulement.

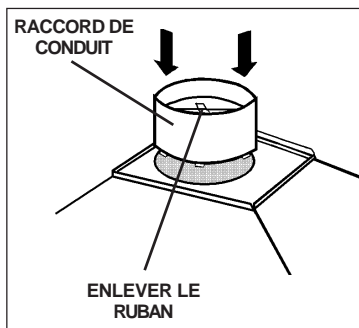
1. Enlevez et jetez les ailes du clapet à l'intérieur du raccord de conduit.

Installation avec ou sans conduit.

2. Installez le raccord de conduit dans l'ouverture ronde au sommet de la hotte. Enfoncez-le vers le bas pour l'engager solidement en place.

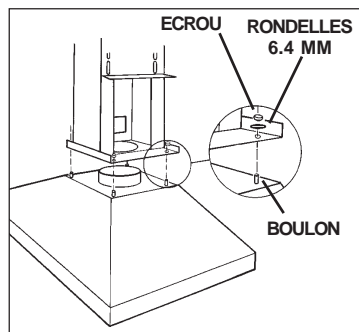
Installation avec conduit seulement.

3. Enlever le ruban positionné sur le clapet.
4. Fixez un conduit de 15,2 cm (6 po) en métal au raccord de conduit. Étancheisez tous les joints avec du ruban à conduit



INSTALLATION DE LA HOTTE

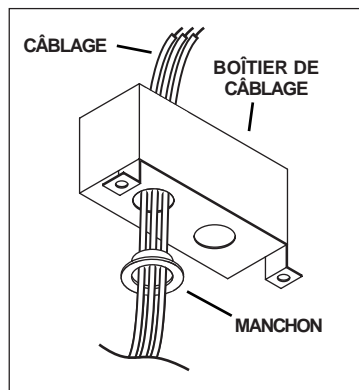
1. Soulevez la hotte en place sous le châssis de suspension. Les interrupteurs doivent se trouver du côté marqué « AVANT/FRONT » sur le châssis de suspension.
2. Fixez la hotte avec (4) rondelles et (4) écrous hexagonaux.



CÂBLAGE

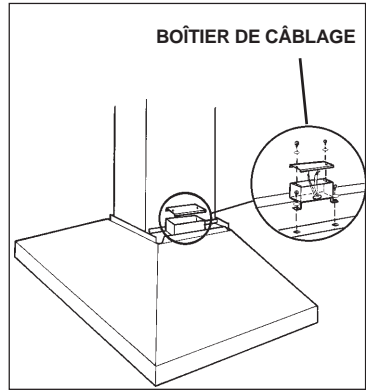
REMARQUE : LE CÂBLAGE ÉLECTRIQUE DOIT ÊTRE EFFECTUÉ PAR UN PERSONNEL QUALIFIÉ EN RESPECTANT LA RÉGLEMENTATION EN VIGUEUR, NOTAMMENT LES CODES ET NORMES DE LA CONSTRUCTION AYANT TRAIT À LA RÉSISTANCE AU FEU. CETTE HOTTE DE CUISINE DOIT ÊTRE CORRECTEMENT MISE À LA TERRE. COUPEZ LE COURANT AU PANNEAU D'ALIMENTATION ÉLECTRIQUE AVANT D'EFFECTUER LE CÂBLAGE DE LA HOTTE.

1. Enlevez une rondelle défonçable au fond de la boîte et une autre sur le côté.
2. Installez le manchon de plastique dans l'ouverture du fond. Conduisez les fils blanc



et noir ainsi que le fil de terre vert de la hotte à l'intérieur du boîtier de connexion.

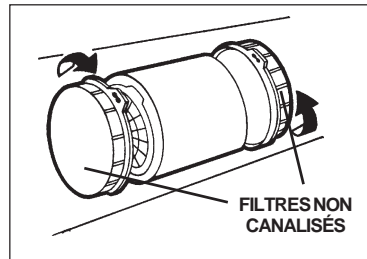
3. Fixez le boîtier à la hotte avec (2) vis de 3,9 x 9,5 mm et (2) rondelles dentées.
4. Insérez 15,2 cm (6 po) de câble d'alimentation dans le boîtier. Fixez le câble à la boîte avec un connecteur approprié.
5. Effectuez les branchements électriques. Branchez les fils noirs ensemble, les fils blancs ensemble, et le fil vert avec le fil de terre.
6. Repoussez tous les fils dans la boîte. Assurez-vous qu'ils ne sont pas pincés. Posez le couvercle du boîtier avec (2) vis de 3,9 x 9,5 mm et (2) rondelles dentées.
7. Enlevez le (2) vis provisoires et abaissez la section inférieure de la cheminée en place sur la hotte. Fixez-la avec (2) vis de 3,9 x 13 mm.



INSTALLATION DU FILTRE NON CANALISÉ

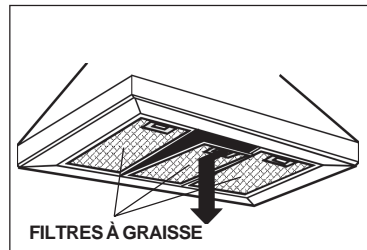
Installation sans conduit seulement.

1. Procurez-vous un ensemble de filtre (modèle de « filtre rond ») chez votre détaillant.
2. Positionnez les filtres sur leurs supports sur le ventilateur.
3. Pour les poser : tournez-les pour les fixer en place.
4. Pour les enlever : tournez-les en sens inverse et retirez-les.



Installation avec ou sans conduit.

1. Pour enlever les filtres à graisse : tirez la languette vers le bas. Le filtre se dégagera de la hotte. Inclinez le filtre vers le bas et enlevez-le.
2. Pour poser les filtres à graisse : alignez les pattes arrière du filtre dans les fentes de la hotte. Tirez la languette vers le bas, poussez le filtre en place et relâchez la languette. Vérifiez si les filtres sont bien fixés une fois remplacés.



GARANTIE

GARANTIE LIMITÉE D'UN AN BROAN

Broan garantit au consommateur et acheteur initial de ses produits que ceux-ci sont exempts de tout vice de matériau ou de fabrication pour une période d'un an à compter de la date d'achat originale. CETTE GARANTIE NE COMPORTE AUCUNE AUTRE GARANTIE, EXPRESSE OU TACITE, Y COMPRIS, MAIS SANS S'Y LIMITER, LES GARANTIES TACITES DE VALEUR MARCHANDE OU D'ADAPTATION À UN USAGE PARTICULIER.

Durant cette période d'un an, Broan réparera ou remplacera gratuitement, à sa discrétion, tout produit ou toute pièce jugés défectueux dans des conditions normales d'utilisation. CETTE GARANTIE NE S'APPLIQUE PAS AUX TUBES FLUORESCENTS ET AUX DÉMARREURS, NI AUX AMPOULES HALOGÈNES OU INCANDESCENTES. Cette garantie ne couvre pas (a) les frais d'entretien ou de service normaux ni (b) tout produit ou toute pièce soumis à un abus, une négligence, un accident, un entretien ou une réparation inadéquats (autres que ceux effectués par Broan), une mauvaise installation ou une installation contraire aux instructions recommandées.

La durée de toute garantie tacite est limitée à la période d'un an stipulée pour la garantie expresse. Certains territoires ou provinces interdisent les restrictions relatives à la durée d'une garantie implicite. La restriction susmentionnée peut donc ne pas s'appliquer dans votre cas.

L'OBLIGATION POUR BROAN DE RÉPARER OU DE REMPLACER LE PRODUIT, À SA DISCRÉTION, CONSTITUE LE SEUL RECOURS DE L'ACHETEUR EN VERTU DE LA PRÉSENTE GARANTIE. BROAN NE PEUT ÊTRE TENUE RESPONSABLE DES DOMMAGES INDIRECTS OU CONSÉCUTIFS NI DES DOMMAGES-INTÉRÊTS PARTICULIERS DÉCOULANT DE L'UTILISATION OU DU RENDEMENT DU PRODUIT. Certains territoires ou provinces interdisent l'exclusion ou la restriction des dommages indirects ou consécutifs. La restriction susmentionnée peut donc ne pas s'appliquer dans votre cas.

La présente garantie vous confère des droits spécifiques reconnus par la loi. D'autres droits pourraient également vous être accordés selon la législation locale en vigueur. La présente garantie remplace toutes les autres garanties précédentes.

Pour le service sous garantie, vous devez (a) aviser Broan à l'adresse mentionnée ci-dessous ou au numéro de téléphone suivant : 1-800-637-1453 ; (b) indiquer le numéro du modèle, le numéro de série de la pièce et (c) décrire la nature de tout défaut du produit ou de la pièce concernée. Lors de votre demande de garantie, vous devez présenter une preuve de la date d'achat originale.

BEST BY BROAN, P.O. Box 140 Hartford, Wisconsin 53027

LEA Y CONSERVE ESTAS INSTRUCCIONES

 **INDICADA SOLAMENTE PARA COCINAR EN CASA** 

  **ADVERTENCIA**

PARA REDUCIR EL RIESGO DE INCENDIOS, DESCARGAS ELÉCTRICAS O LESIONES PERSONALES OBSERVE LAS SIGUIENTES PRECAUCIONES:

1. Use la unidad sólo de la manera indicada por el fabricante. Si tiene preguntas, comuníquese con el fabricante en la dirección o el número telefónico que se incluye en la garantía.
2. Antes de dar servicio o limpiar la unidad, interrumpa el suministro eléctrico en el panel de servicio y bloquee el panel de servicio para evitar que la electricidad se active accidentalmente. Cuando no sea posible bloquear los medios de desconexión del servicio, fije firmemente en un lugar prominente del panel de servicio un dispositivo de advertencia, como por ejemplo una etiqueta.
3. Una o más personas calificadas deben realizar el trabajo de instalación y el cableado eléctrico, de acuerdo con todos los códigos y normas correspondientes, incluidos los códigos y normas de construcción específicos de protección contra incendios.
4. Se necesita suficiente aire para que se lleve a cabo una combustión y descarga adecuadas de los gases a través del tubo de humos (chimenea) del equipo quemador de combustible, a fin de evitar los contratiros. Siga las directrices y las normas de seguridad del fabricante del equipo de calentamiento, como aquellas publicadas por la Asociación Nacional de Protección contra Incendios (National Fire Protection Association, NFPA), y la Sociedad Americana de Ingenieros en Calefacción, Refrigeración y Aire Acondicionado (American Society for Heating, Refrigeration and Air Conditioning Engineers, ASHRAE), y las autoridades de los códigos locales.
5. Al cortar o perforar a través de la pared o del cielo raso, no dañe el cableado eléctrico ni otros servicios ocultos.
6. Los ventiladores con conductos siempre se deben conectar hacia el exterior.
7. No use esta unidad junto con ningún dispositivo de estado sólido para el control de la velocidad.
8. Para reducir el riesgo de incendio, use solamente conductos de acero.
9. Esta unidad se debe conectar a tierra.

PARA REDUCIR EL RIESGO DE INCENDIO PROVOCADO POR GRASA PRESENTE EN LA ESTUFA:

- A. Nunca deje las unidades de la superficie desatendidas en ajustes altos de calor. Los alimentos en ebullición provocan derrames grasosos y con humo que se pueden inflamar. Caliente el aceite lentamente en ajustes de calor bajo o medio.
- B. Siempre ENCIENDA la campana cuando cocine a calor alto o cuando cocine alimentos inflamables.
- C. Limpie frecuentemente los ventiladores. No se debe permitir la acumulación de grasa en el ventilador ni en el filtro.
- D. Use una cacerola del tamaño adecuado. Siempre use utensilios de cocina que sean apropiados para el tamaño del elemento de la superficie.

ADVERTENCIA

PARA REDUCIR EL RIESGO DE LESIONES A LAS PERSONAS EN CASO DE INCENDIO PRODUCIDO POR GRASA PRESENTE EN LA ESTUFA, OBSERVE LO SIGUIENTE:*

1. APAGUE LAS LLAMAS con una tapa de ajuste exacto, una charola para galletas o una bandeja de metal, luego apague el quemador. TENGA CUIDADO PARA PREVENIR QUEMADURAS. Si las llamas no se apagan inmediatamente, EVACÚE EL ÁREA Y LLAME A LOS BOMBEROS.
2. NUNCA LEVANTE UNA CACEROLA INCENDIADA, se puede quemar.
3. NO USE AGUA, ni trapos o toallas de cocina mojados, puede producirse una explosión violenta de vapor.
4. Use un extintor SÓLO si:
 - A. Sabe que tiene un extintor clase ABC, y ya sabe cómo usarlo.
 - B. El incendio es pequeño y está confinado en el área en la que se inició.
 - C. Va a llamar a los Bomberos.
 - D. Puede combatir el incendio dando la espalda hacia una salida.

* Basado en "Kitchen Fire Safety Tips" (Sugerencias para la seguridad contra incendios en la cocina) publicado por NFPA.

PRECAUCIÓN

1. Para reducir el riesgo de incendio y para descargar adecuadamente el aire, asegúrese de dirigir el aire hacia el exterior. No descargue el aire hacia espacios contenidos entre paredes o cielos rasos ni en áticos, sótanos bajos ni en la cochera.
2. Tenga cuidado cuando use agentes de limpieza o detergentes.
3. Evite usar bajo la campana de la estufa productos alimenticios que produzcan llamas.
4. Sólo para usarse en ventilación general. No se use para descargar materiales ni vapores peligrosos o explosivos.
5. Para evitar daños a los cojinetes del motor y rotores ruidosos y/o no equilibrados, mantenga el rocío de yeso, el polvo de la construcción, etc. alejados de la unidad de accionamiento.
6. El motor de su campana tiene una protección contra sobrecargas térmicas que automáticamente apagará el motor en caso de sobrecalentamiento. El motor reanudará su funcionamiento cuando se enfríe. Si el motor continúa apagándose y encendiéndose, solicite servicio para la campana.
7. Para capturar mejor las impurezas producidas al cocinar, la parte inferior de la campana debe estar a una altura mínima de 24 pulg. (61 cm) y máxima de 30 pulg. (76 cm) sobre la superficie de cocinado. Consulte el apartado "Ajuste de la estructura de soporte" para ver las restricciones de montaje.
8. Se recomienda que 3 personas hagan la instalación debido al gran tamaño y peso de esta campana.
9. Este producto está equipado con un termostato que puede iniciar automáticamente el funcionamiento del ventilador. Para reducir el riesgo de lesiones personales y para evitar que la electricidad sea reanudada accidentalmente, interrumpa el suministro eléctrico en el panel de servicio y bloquee o rotule este panel.
10. Use solamente con el juego de cable de alimentación y conexiones aprobado.
11. Por favor lea la etiqueta de especificaciones del producto para ver información y requisitos adicionales.

OPERACIÓN

Controles

La campana se opera usando los (4) pulsadores que se ubican al nivel de los ojos en el borde frontal de la campana.

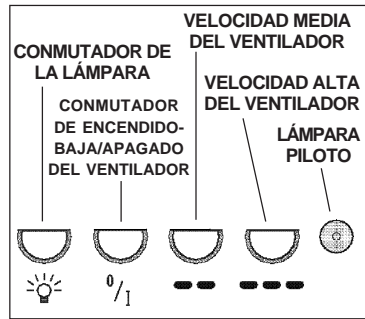
El **conmutador de la lámpara** enciende y apaga las lámparas.

El **conmutador de encendido-baja/apagado** enciende el ventilador en su velocidad más baja. Se debe encender el ventilador usando este conmutador. Apague el ventilador presionando por segunda vez este conmutador.

El **conmutador de velocidad media del ventilador** cambia el ventilador a velocidad media. Este conmutador sólo funciona si el ventilador ya está funcionando a velocidad baja o alta.

El **conmutador de velocidad alta del ventilador** cambia el ventilador a velocidad alta. Este conmutador sólo funciona si el ventilador ya está funcionando a velocidad baja o media.

La **lámpara piloto se enciende** siempre que el ventilador esté encendido.



HEAT SENTRY^{MR}

Su campana esta equipada con termostato HEAT SENTRY^{MR}. Este termostato tiene un mecanismo que se encenderá acelerará el ventilador si se detecta un calor excesivo encima de la cocina.

- 1) Si el ventilador esta apagando - el se prenderá a una velocidad máxima.
- 2) Si el ventilador esta encendido a una velocidad mínima - el se prenderá a una velocidad máxima.

Cuando la temperatura disminuye a un nivel normal, el ventilador vuelve a la función de origen.

AVERTENCIA

El HEAT SENTRY^{MR} termostato puede comenzar a funcionar al igual si la campana esta parada. En este caso, es imposible parar el ventilador con los interruptores. Si usted para la campana, halago a partir del panel eléctrico principal.

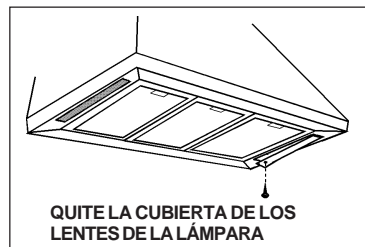
BOMBILLAS

Esta campana requiere dos bombillas de luz fluorescente de 9 vatios.

SIEMPRE APAGUE EL SUMINISTRO ELÉCTRICO ANTES DE REALIZAR CUALQUIER OPERACIÓN EN EL ELECTRODOMÉSTICO.

Para cambiar las bombillas:

1. Quite la cubierta de los lentes de la lámpara.
2. Quite la bombilla halando hacia un lado (no la gire). **PRECAUCIÓN: ¡LA BOMBILLA PUEDE ESTAR CALIENTE!**
3. Reemplace la bombilla con otra del mismo tipo.

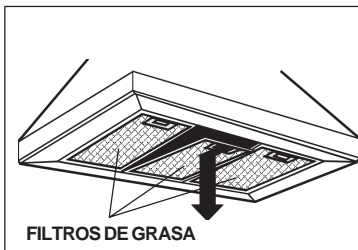


MANTENIMIENTO

Filtros de grasa

Los **filtros de grasa** se deben limpiar con frecuencia. Use una solución tibia de detergente y agua. Los filtros de grasa se pueden lavar en lavaplatos.

Consulte la sección "Instalación del filtro" para ver las instrucciones de instalación y remoción.



Filtros Ductfree

El filtro Ductfree se debe cambiar cada 6 meses. Consulte la sección "Instalación del filtro" para ver las instrucciones de instalación y remoción.

Limpieza de la campana

El acero inoxidable es uno de los materiales que se pueden mantener limpios con más facilidad. Un cuidado ocasional ayudará a mantener su buen aspecto.

Consejos útiles de limpieza:

- Normalmente, todo lo que se necesita es agua caliente con detergente.
- Enjuague bien con agua clara después de limpiar. Seque con un trapo limpio y suave para no dejar marcas de agua.
- Si persisten las descoloraciones o los depósitos, use un limpiador casero que no deje arañazos o un polvo de pulir para acero inoxidable con un poco de agua y un trapo suave.
- En los casos más persistentes, use una esponja desengrasadora o un cepillo de cerdas suaves junto con el limpiador y agua. Frote ligeramente en la misma dirección que las líneas de pulido o "grano" del acabado de acero inoxidable. No aplique demasiada presión porque podría desgastar la superficie.
- **NO** permita que se acumulen depósitos durante largos periodos de tiempo.
- **NO** use lana de acero ni cepillos de acero ordinarios. Se podrían adherir pequeños trozos de acero a la superficie y hacer que se oxide.
- **NO** permita que permanezcan en contacto con el acero inoxidable, durante mucho tiempo, soluciones salinas, desinfectantes, blanqueadores o compuestos de limpieza. Muchos de estos compuestos contienen productos químicos que pueden ser dañinos. Si el acero inoxidable entra en contacto con estos compuestos, enjuague con agua y seque con un trapo limpio.

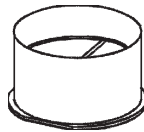
Las superficies pintadas se deben limpiar solamente con agua tibia y un detergente suave.

PREPARACIÓN DE LA CAMPANA

Desempaque la campana y revise el contenido del paquete.

Debe recibir:

- 1 - Campana
- 1 - Conjunto del tubo de humos decorativo
- 1 - Estructura de soporte
- 1 - Bolsa de piezas (B080810532) que contiene:
 - 4 - Tornillos de montaje (6 x 70 mm)
 - 8 - Arandelas de 6.4 mm
 - 8 - Tornillos de montaje (3.9 x 9.5 mm de cabeza troncocónica)
 - 4 - Tuercas
 - 1 - Collar del conducto
 - 1 - Caja eléctrica
 - 1 - Tapa de la caja eléctrica
 - 1 - Sujeta cabos
 - 4 - Arandelas dentadas
- 1 - Pleno sin conducto + #4 tornillos
- 1 - Instrucciones de instalación
- 1 - Tarjeta de garantía



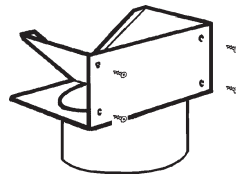
COLLAR DEL CONDUCTO



8 ARANDELAS DE 6.4 MM



4 TUERCAS

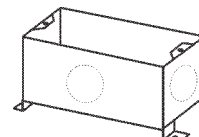


PLENO SIN CONDUCTO + #4 TORNILLOS



4 ARANDELAS DENTADAS

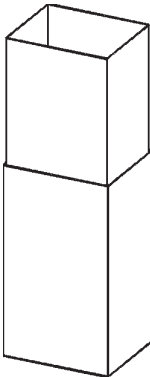
TAPA DE LA CAJA ELÉCTRICA



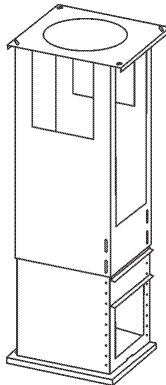
CAJA ELÉCTRICA



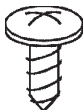
SUJETA CABOS



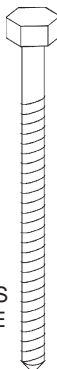
TUBO DE HUMOS DECORATIVO



ESTRUCTURA DE SOPORTE



8 TORNILLOS DE MONTAJE (3.9 x 9.5 mm cabeza troncocónica)



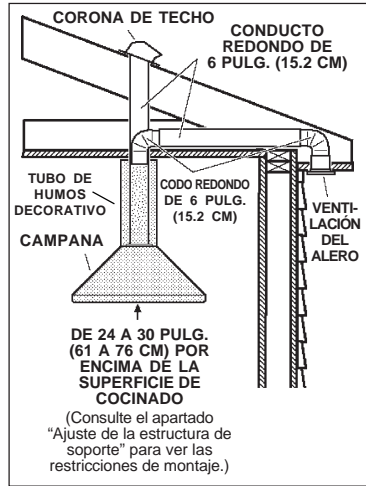
4 TORNILLOS DE MONTAJE (6 x 70 MM)

INSTALACIÓN DEL SISTEMA DE CONDUCTOS

Sólo configuraciones con conducto.

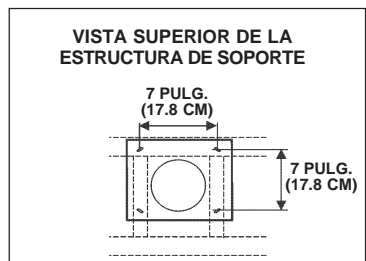
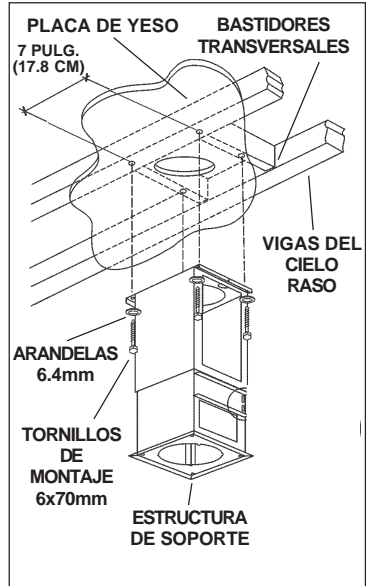
NOTA: Para reducir el riesgo de incendio, use solamente conductos metálicos.

1. Decida dónde instalará el conducto entre la campana y el exterior.
2. Un conducto recto y corto permitirá que la campana funcione más eficientemente.
3. Los tramos largos de conductos, codos y transiciones reducirán el rendimiento de la campana. Use tan pocos de ellos como sea posible.
4. Instale una corona de techo o una corona de pared. Conecte un conducto metálico redondo de 6 pulg. (15.2 cm) en la corona y trabaje hacia atrás, hacia la ubicación de la campana. Use cinta para conductos para sellar las uniones entre las secciones de conductos.



INSTALACIÓN DEL SISTEMA DE SOPORTE

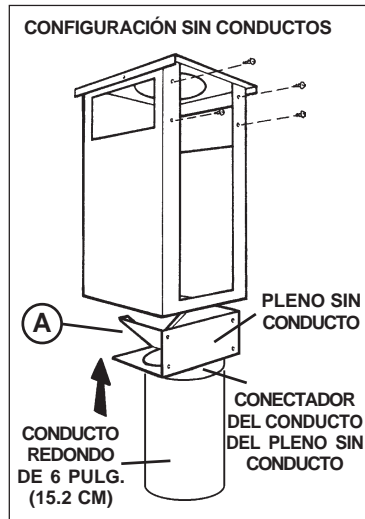
1. En la ubicación de la campana, instale **bastidores transversales** de 2 x 4 entre las **vigas del cielo raso** usando las dimensiones mostradas.
2. Termine la superficie del cielo raso. Asegúrese de marcar la ubicación de las vigas del cielo raso y de los bastidores transversales.



INSTALACIÓN DEL PLENO SIN CONDUCTO

Sólo configuraciones sin conducto.

1. Quite los (4) tornillos y las arandelas del conjunto de la estructura de soporte y separe ambas mitades.
2. Conecte un tramo de conducto metálico de 6 pulg. (15.2 cm) en el conector del pleno. Calcule la altura del conducto metálico procediendo como sigue: determinar la longitud de la estructura de soporte (mediante la tabla expuesta abajo) y sustraiga 135 mm (5-5/16"). Use cinta de aluminio de conductos para sellar las juntas y hacerlas herméticas.
3. Introduzca el pleno sin conducto en la estructura de soporte superior. Las salidas de aire "A" del pleno deben estar alineadas con las aberturas de la estructura de soporte superior.
4. Fije el pleno en la estructura de soporte superior con (4) tornillos de 3.9 x 9.5 mm.

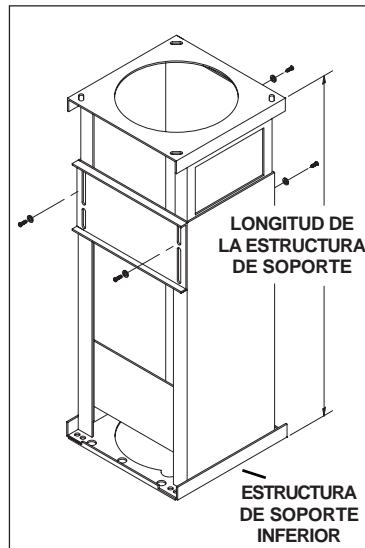


AJUSTE DE LA ALTURA DE LA ESTRUCTURA DE SOPORTE

Para configuraciones con y sin conducto.

NOTA: PARA INSTALACIONES EN CUARTOS QUE TENGAN CIELO RASO DE 10 PIES (305 CM), COMPRE LA EXTENSIÓN MODELO FEXTIS23 PARA TUBOS DE HUMOS. DESECHE LA ESTRUCTURA DE SOPORTE QUE SE PROPORCIONA CON LA CAMPANA. USE LA ESTRUCTURA MÁS LARGA QUE SE SUMINISTRA CON LA EXTENSIÓN DEL TUBO DE HUMOS.

1. Para configuraciones con conducto: quite los (4) tornillos y las arandelas del conjunto de la estructura de soporte.
2. Determine la distancia entre la campana de la estufa y la superficie de cocinado. Vea las restricciones de la altura de montaje en la tabla que aparece abajo. La campana debe estar montada a una distancia mínima de 24 pulg. (60.9 cm) de la superficie de cocinado. Se recomienda una altura máxima de 30 pulg. (76 cm) para capturar mejor las impurezas de cocinado. Las distancias mayores de 30 pulg. (76 cm) se deben manejar a discreción del usuario.
3. Ajuste la altura general de la estructura de soporte. Consulte la tabla para ajustar la estructura de soporte a la longitud adecuada.

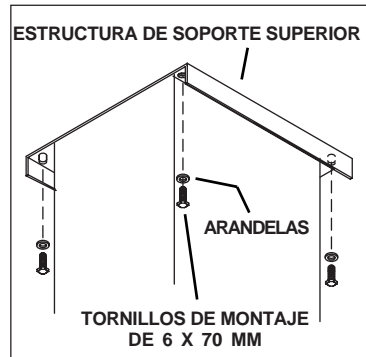


ALTURA DEL CIELO RASO	DISTANCIA DE LA CAMPANA POR ENCIMA DE 36 PULG. (90 CM) SOBRE LA SUPERFICIE DE COCINADO						
	24 PULG.	25 PULG.	26 PULG.	27 PULG.	28 PULG.	29 PULG.	30 PULG.
SUPPORT FRAME LENGTH							
8 PIES (244 CM)	25-3/8 PULG.	24-3/8 PULG.	23-3/8 PULG.	22-3/8 PULG.			
9 PIES (274 CM)					33-3/8 PULG.	32-3/8 PULG.	31-3/8 PULG.
10 PIES (305 CM) CON FEXTIS23			47-3/8 PULG.	46-3/8 PULG.	45-3/8 PULG.	44-3/8 PULG.	43-3/8 PULG.

- Vuelva a montar la estructura de apoyo superior y la inferior con (4) tornillos autorroscantes y arandelas.

INSERCIÓN DE LA ESTRUCTURA DE SOPORTE

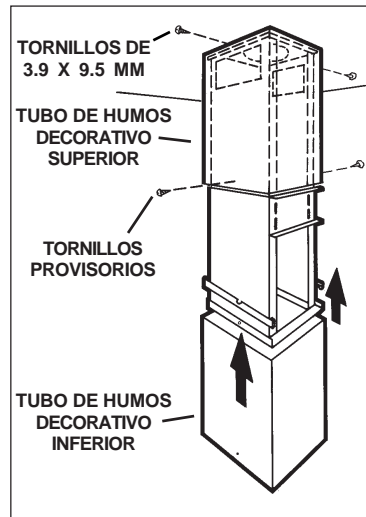
- Conecte el conjunto de la estructura de soporte en el cielo raso con (4) arandelas y (4) tornillos de montaje de 6 x 70 mm. Asegúrese de que la flecha "HACIA ARRIBA" apunte hacia el cielo raso. El lado marcado "FRONT" (FRENTE) debe quedar alineado con el panel de control de la campana.



INSTALACIÓN DE LOS TUBOS DE HUMOS DECORATIVOS

NOTA: PARA INSTALACIONES EN CUARTOS QUE TENGAN CIELO RASO DE 10 PIES (305 CM), COMPRE LA EXTENSIÓN MODELO FEXTIS23 PARA TUBOS DE HUMOS. DESECHE EL TUBO DE HUMOS DECORATIVO QUE SE PROPORCIONA CON LA CAMPANA. REEMPLÁCELO CON EL TUBO DE HUMOS SUPERIOR MÁS LARGO QUE SE PROPORCIONA CON LA EXTENSIÓN DEL TUBO DE HUMOS.

- Eleve el tubo de humos decorativo superior a su posición en la estructura de soporte. Fije el tubo de humos superior en la estructura de soporte con (2) tornillos de 3.9 x 9.5 mm.
- Deslice el tubo de humos inferior sobre el tubo de humos superior. Sujete temporalmente el tubo de humos (con 2 tornillos 3.9x9.5mm) hasta que se instale la campana y se hagan las conexiones eléctricas.



INSTALACIÓN DEL CONECTADOR DEL CONDUCTO

Sólo configuraciones sin conducto.

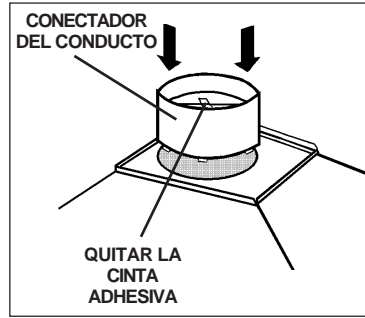
1. Quite y deseche las aletas del regulador de tiro de corriente invertida del conector de conductos.

Para configuraciones con y sin conducto.

2. Instale el conector del conducto en la abertura redonda que se encuentra en la parte superior de la campana. Empuje hacia abajo hasta que se conecte en su lugar y quede fijamente embragado.

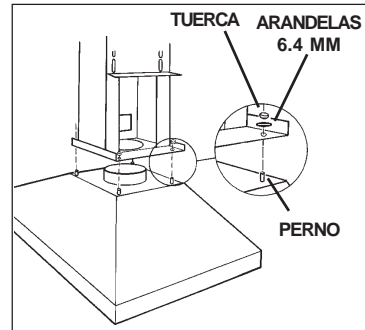
Sólo configuraciones con conducto.

3. Quite la cinta adhesiva en la válvula.
4. Conecte el conducto metálico redondo de 6 pulg. (15.2 cm) en el conector del conducto. Use cinta de conductos para sellar las juntas y hacerlas herméticas.



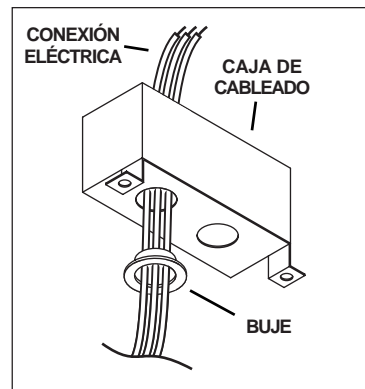
INSTALACIÓN DE LA CAMPANA DE LA ESTUFA

1. Eleve la campana a su posición debajo de la campana de la estufa. Los interruptores de control deben estar ubicados en el lado de la estructura de soporte marcado "FRONT" (FRENTE).
2. Conecte la campana usando (4) arandelas y (4) tuercas hexagonales.



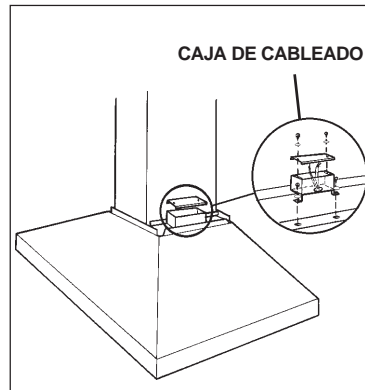
INSTALE EL CABLEADO ELÉCTRICO

NOTA: UNA PERSONA O MÁS PERSONAS CALIFICADAS DEBEN REALIZAR EL CABLEADO ELÉCTRICO DE ACUERDO CON TODOS LOS CÓDIGOS Y NORMAS APLICABLES, INCLUSIVE CÓDIGOS Y NORMAS DE CONSTRUCCIÓN ESPECÍFICOS DE PROTECCIÓN CONTRA INCENDIOS. ESTA CAMPANA DEBE ESTAR ADECUADAMENTE CONECTADA A TIERRA. APAGUE EL SUMINISTRO ELÉCTRICO EN LA ENTRADA DEL SERVICIO ANTES DE REALIZAR EL CABLEADO ELÉCTRICO DE ESTA CAMPANA.



1. Quite el agujero ciego de la parte inferior de la caja de cableado y uno del lado.

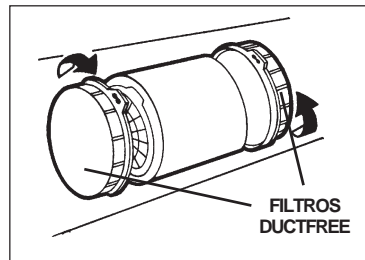
2. Instale el buje de plástico en el orificio de la parte inferior. Tienda los cables negro, blanco y verde de tierra desde la campana hasta la caja de cableado.
3. Asegure la caja de cableado a la campana con (2) tornillos de 3.9 x 9.5 mm y (2) arandelas dentadas.
4. Alimente 6 pulg. (15.2 cm) de cable eléctrico en la caja de cableado. Fije el cable en la caja de cableado usando un conector apropiado.
5. Haga las conexiones eléctricas. Conecte negro con negro, blanco con blanco y verde con tierra.
6. Empuje todos los cables en el interior de la caja de cableado. Asegúrese de que los alambres no queden atrapados. Vuelva a colocar la cubierta y fíjela con (2) tornillos de 3.9 x 9.5 mm y (2) arandelas dentadas.
7. Quitar los (2) tornillos provisionales y mueva el tubo de humos inferior a su posición en la campana. Fije con (2) tornillos de 3.9 x 13 mm.



INSTALACIÓN DEL FILTRO DUCTFREE

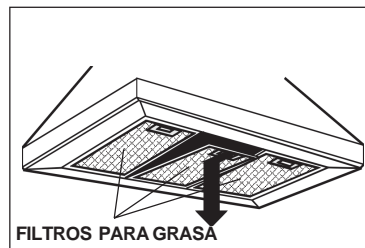
Sólo configuraciones sin conducto.

1. Compre un juego de filtros Ductfree (modelo "Filtro redondo") en su concesionaria.
2. Coloque los filtros sobre los soportes del filtro en el soplador.
3. Para instalarlos: Rote los filtros para fijarlos en su lugar.
4. Para quitarlos: Invierta la rotación y jale el filtro para sacarlo.



Para configuraciones con y sin conducto.

1. Para quitar los filtros para grasa: Sujete la lengüeta del cierre y júlela hacia abajo. Luego quite el filtro de la campana. Incline el filtro hacia abajo y quítelo.
2. Para instalar los filtros para grasa: Alinee las lengüetas posteriores del filtro con las ranuras de la campana. Hale hacia abajo la lengüeta del cierre, presione el filtro en su lugar y libere. Asegúrese de que los filtros estén seguramente embragados después de su instalación.



GARANTÍA

GARANTÍA LIMITADA DE UN AÑO DE BROAN

Broan garantiza al consumidor comprador original de sus productos que tales productos estarán libres de defectos en materiales o mano de obra durante un período de un año a partir de la fecha de la compra original. NO EXISTEN OTRAS GARANTÍAS, EXPRESAS NI IMPLÍCITAS, INCLUIDAS (PERO SIN LIMITARSE A) GARANTÍAS IMPLÍCITAS DE COMERCIALIZACIÓN O IDONEIDAD PARA UN PROPÓSITO PARTICULAR.

Durante este período de un año, Broan, a su criterio, reparará o reemplazará, sin cargo alguno, cualquier pieza o producto que se encuentre defectuoso bajo condiciones normales de uso y servicio.

ESTA GARANTÍA NO SE EXTIENDE A ARRANCADORES Y TUBOS DE LÁMPARAS FLUORESCENTES NI A BOMBILLAS DE HALÓGENO E INCANDESCENTES. Esta garantía no cubre (a) mantenimiento y servicio normales ni (b) ningún producto o piezas que se hayan sometido a uso inadecuado, negligencia, accidente, mantenimiento o reparación inadecuada (no hecha por Broan), instalación incorrecta o instalación en contra de las instrucciones de instalación recomendadas.

La duración de cualquier garantía implícita se limita al período de un año como se especifica para la garantía explícita. Algunos estados no permiten la limitación de la duración de una garantía implícita, de manera que las limitaciones antedichas pueden no aplicar a usted.

LA OBLIGACIÓN DE BROAN DE REPARAR O REEMPLAZAR, A OPCIÓN DE BROAN, SERÁ EL ÚNICO Y EXCLUSIVO RECURSO DEL COMPRADOR BAJO ESTA GARANTÍA. BROAN NO SERÁ RESPONSABLE POR DAÑOS INCIDENTALES, RESULTANTES O ESPECIALES QUE SURJAN DE O EN RELACIÓN CON EL USO O RENDIMIENTO DEL PRODUCTO. Algunos estados no permiten la exclusión o la limitación de daños incidentales o resultantes, de manera que es posible que la limitación antedicha no aplique en su caso.

Esta garantía le da derechos legales específicos, y usted puede tener otros derechos que varían entre estados. Esta garantía sustituye a todas las garantías anteriores.

Para tener derecho al servicio cubierto por la garantía, debe (a) notificar a Broan a la dirección que se indica abajo, o al teléfono: 1-800-637-1453, (b) dar el número de modelo y la identificación de la pieza y (c) describir la naturaleza de cualquier defecto en el producto o pieza. En el momento de solicitar el servicio de la garantía, debe presentar comprobante de la fecha de la compra original.

BEST BY BROAN, P.O. Box 140 Hartford, Wisconsin 53027

SERVICE PARTS

MODEL IS23 - Parts for stainless steel models shown. For service parts for black, white, polished brass, or brushed copper models, call Broan Customer Service.

KEY NO.	PART NO.	DESCRIPTION
9	B08087141	Grease Filter
14	B02300233	Motor Capacitor
18	B02300700	Fluorescent Light
22	B02300701	Ballast
29	B03201016	Light diffuser
37	B02300787	Heat Sentry
39	B03294033	Control Board Box Cover
42	B03290377	Filter Support
48	B02310201	Motor
49	B03295071	Blower Wheel
53	B03204177	Rubber Washer
57	B02000756	Damper Flap
62	BE3402945	Blower Mounting Cover
63	BE3338030	Upper Support
86	B03292300	Flange
112	BE3345811	Electrical Box Support
113	B02011284	Nameplate
115	BE3495228	Wiring Box
116	BE3334252	Wiring Box Cover
118	BE3400401	Decorative Flue Bottom (IS23 model)
118	BE3402692	Decorative Flue Bottom (IS2304 model)
119	BE3400402	Decorative Flue Top (IS23 model)
119	BE3402691	Decorative Flue Top (IS2304 model)
122	BE3400290	Ductfree Plenum
124	B03109065	Telescopic Structure Bottom
125	B03109066	Telescopic Structure Top
144	B03292287	Wire Clamp
147	BR2300135	Terminal Block
165	B03294781	Control Box
165	B03295008	Electrical Box
166	B08086668	Control Board
196	BE3335543	Ballast Support
201	B03292507	Ballast Cover
229	B03201014	Pilot Lamp
*	B06107646	Switch Box Assembly (Includes Keys Nos. 234, 228, 223, 240, 230, 92)
*	B06002012	Blower Assembly (Includes Keys No. 42, 48, 49, 53, 68, 69)
998	B080810532	Hardware Package

* Not shown assembled.

LISTE PIECES DE RECHANGE

MODELE IS23 - Ci-dessous liste pièces de rechange pour hottes en inox. Pour les pièces de rechange des modèles de couleurs noir, blanc, laiton jaune poli, cuivre brossé, contacter Broan Customer Service.

N.	PART N.	DESCRIPTION
9	B08087141	Filtre anti-graisse
14	B02300233	Condensateur
18	B02300700	Lampe
22	B02300701	Alimentateur
29	B03201016	Plafonnier
37	B02300787	Capteur de température
39	B03294033	Couvercle boîte installation électrique
42	B03290377	Support du filtre
48	B02310201	Moteur
49	B03295071	Turbine du moteur
53	B03204177	Pare chocs
57	B02000756	Clapet anti-retour
62	BE3402945	Etrier inférieur
63	BE3338030	Etrier supérieur
86	B03292300	Bride de raccordement
112	BE3345811	Support boîte installation électrique
113	B02011284	Plaquette logo
115	BE3495228	Boîte d'alimentation
116	BE3334252	Couvercle boîte d'alimentation
118	BE3400401	Tube inférieur (modèle IS23)
118	BE3402692	Tube inférieur (modèle IS2304)
119	BE3400402	Tube supérieur (modèle IS23)
119	BE3402691	Tube supérieur (modèle IS2304)
122	BE3400290	Deflecteur à recyclage
124	B03109065	Structure telescopique inferieure
125	B03109066	Structure telescopique superieure
144	B03292287	Serre cable
147	BR2300135	Borne
165	B03294781	Boîte installation électrique
165	B03295008	Boîte installation électrique
166	B08086668	Circuit imprimé installation électrique
196	BE3335543	Support alimentateur
201	B03292507	Protection alimentateur
229	B03201014	Témoin lumineux
*	B06107646	Ensemble commandes (Comprenant N. 234, 228, 223, 240, 230, 92)
*	B06002012	Ensemble moteur (Comprenant N. 42, 48, 49, 53, 68, 69)
998	B080810532	Accessoires de fixation

* Illustrées separement.

LISTA DE PIEZAS DE RECAMBIO

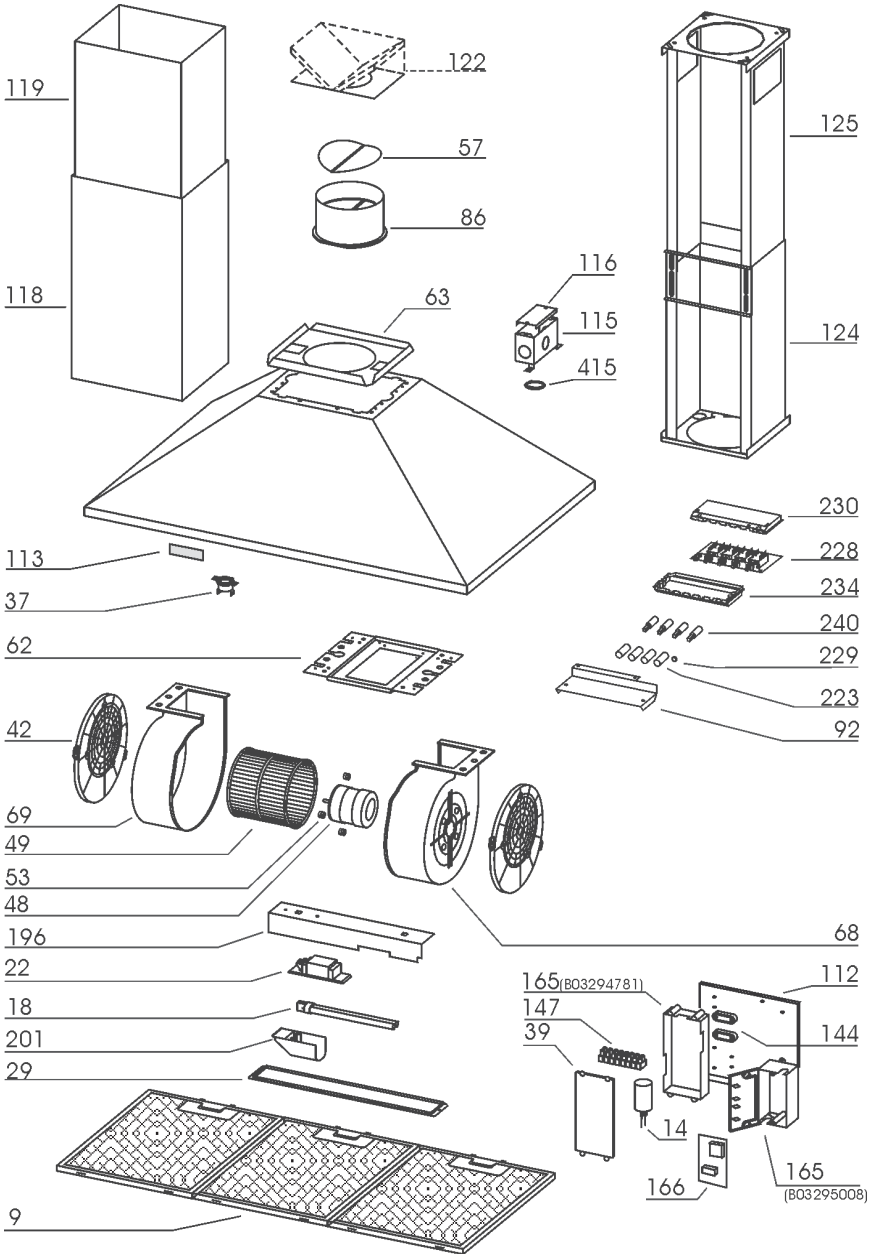
MODELO IS23 - Aquí aparecen solamente las piezas de recambio para campanas de acero inoxidable, si desean las piezas de recambio de los modelos en blanco, negro, latón lustrado ó cobre acepillado, pónganse en contacto con el servicio al cliente de Broan.

CÓD. N	PIEZA N.	DESCRIPCIÓN
9	B08087141	Filtro antigrasa
14	B02300233	Condensador
18	B02300700	Lámpara
22	B02300701	Alimentador
29	B03201016	Tapa de la lámpara
37	B02300787	Sensor de temperatura
39	B03294033	Tapa de la caja base de instalación eléctrica
42	B03290377	Soporte filtro
48	B02310201	Motor
49	B03295071	Manilla del motor
53	B03204177	Almohadilla antivibraciones
57	B02000756	Válvula de no retorno
62	BE3402945	Soporte inferior
63	BE3338030	Soporte superior
86	B03292300	Casquillo
112	BE3345811	Caja instalación eléctrica soporte
113	B02011284	Placa marca
115	BE3495228	Caja de alimentación eléctrica
116	BE3334252	Tapa de la caja de alimentación eléctrica
118	BE3400401	Tubo decorativo inferior (modelo IS23)
118	BE3402692	Tubo decorativo inferior (modelo IS23)
119	BE3400402	Tubo decorativo superior (modelo IS23)
119	BE3402691	Tubo decorativo superior (modelo IS2304)
122	BE3400290	Deflector del tubo filtrador
124	B03109065	Structura telescopica inferior
125	B03109066	Structura telescopica superior
144	B03292287	Sujeta cabos
147	BR2300135	Borne
165	B03294781	Caja instalación eléctrica
165	B03295008	Caja instalación eléctrica
166	B08086668	Base para instalación eléctrica
196	BE3335543	Soporte alimentador
201	B03292507	Protección de alimentador
229	B03201014	Lámpara piloto
*	B06107646	Conjunto mandos (Incluye N. 234, 228, 223, 240, 230, 92)
*	B06002012	Conjunto motor (Incluye los N. 42, 48, 49, 53, 68, 69)
998	B080810532	Accesorios para el montaje

* Se encuentran por separado.

SERVICE PARTS - LISTE PIECES DE RECHANGE - LISTA DE PIEZAS DE RECAMBIO

MODEL IS23



99043245C
04306979/6S

Free Manuals Download Website

<http://myh66.com>

<http://usermanuals.us>

<http://www.somanuals.com>

<http://www.4manuals.cc>

<http://www.manual-lib.com>

<http://www.404manual.com>

<http://www.luxmanual.com>

<http://aubethermostatmanual.com>

Golf course search by state

<http://golfingnear.com>

Email search by domain

<http://emailbydomain.com>

Auto manuals search

<http://auto.somanuals.com>

TV manuals search

<http://tv.somanuals.com>