

INSTALLATION OF A PLUG
APPLICABLE TO U.K. AND IRELAND
The wires in this mains lead are coloured in accordance with the following code:

Blue - Neutral
Brown - Live


This appliance is fitted with a 13 amp plug.
The fuse should be rated at 3 amps and ASTA approved to BS1362.

However if the plug is unsuitable, it should be removed from the supply cord and an appropriate plug fitted as detailed below:-

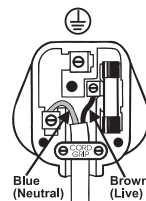
As the colours of the wires in the mains lead of this appliance may not correspond with the coloured markings identifying the terminals in your plug, proceed as follows:

The wire which is coloured Blue must be connected to the terminal which is marked with the letter N or coloured Black.

The wire which is coloured Brown must be connected to the terminal which is marked with the letter L or coloured Red.

NB. Neither wire should be connected to the terminal in your plug which is marked with the letter E or by the Earth symbol  or Green and Yellow. If in doubt consult a qualified electrician.

If any other plug is used, a 3 amp fuse must be fitted either in the plug or adaptor or at the distribution board.



NOTE: If the terminals in the plug are not marked or if you are unsure or in doubt about the installation of the plug please contact a qualified electrician.

If a 13A 3-pin plug is fitted, it must be an ASTA approved plug, conforming to BS1363 standard. Replacement 3A fuses must be BSI or ASTA BS1362 approved.

GUARANTEE
PLEASE KEEP YOUR RECEIPT AS THIS WILL BE REQUIRED FOR ANY CLAIMS UNDER THIS GUARANTEE.

- This product is guaranteed for 3 years.
- In the unlikely event of breakdown, please take it back to the place of purchase, with your till receipt and a copy of this guarantee.
- The rights and benefits under this guarantee are additional to your statutory rights which are not affected by this guarantee.
- Holmes Products Europe undertakes within the specific period, to repair or replace free of charge, any part of the appliance found to be defective provided that:
 - We are promptly informed of the defect
 - The appliance has not been altered in any way or subjected to misuse or repair by a person other than a person authorised by Holmes Products Europe.
- No rights are given under this guarantee to a person acquiring the appliance second hand or for commercial or communal uses.
- Any repaired or replaced appliance will be guaranteed on these terms for the remaining portion of the guarantee.

The Bionaire® Group reserves the right to change or modify any specifications without notice.

THIS PRODUCT IS MANUFACTURED TO COMPLY WITH THE E.E.C. DIRECTIVES 73/23/EEC, 89/336/EEC and 98/37/EEC.

 BIONAIRE®

Holmes Products (Europe) Ltd
1 Francis Grove
London SW19 4DT
England

Fax: +44 (0)20 8947 8272

Email: info-europe@theholmesgroup.com

Website address: www.theholmesgroup.com/europe

UK - Free phone Customer Service Helpline – 0800 052 3615

CE

9100010004526
BASF1016IUK04EM1

 BIONAIRE®

2 Cool™
Stand Fan
BASF1016



INSTRUCTION MANUAL

U.K. and IRELAND

PLEASE READ AND SAVE THESE INSTRUCTIONS

IMPORTANT INSTRUCTIONS

When using electrical appliances, basic safety precautions should always be taken including the following:

- Use the fan only for purposes described in the instruction manual.
- To protect against electrical shock, do not immerse the fan, plug or cord in water or spray with liquids.
- Close supervision is necessary when any appliance is used by or near children.
- Unplug from the electrical outlet when not in use, when moving the fan from one location to another, before putting on or taking off parts and before cleaning.
- Avoid contact with any moving parts
- Do not operate in the presence of explosive and/or flammable fumes.
- Do not place the fan or any parts near an open flame, cooking or other heating appliance.
- Do not operate any appliance with a damaged cord, plug, after the appliance malfunctions, or has been dropped/damaged in any manner.
- The use of attachments not recommended or sold by the appliance manufacturer may cause hazards.
- Do not use outdoors.
- Do not let the cord hang over the edge of a table or counter, or come into contact with hot surfaces.
- To disconnect from the electrical supply, grip the plug and pull from the wall outlet. DO NOT pull on the cord.
- Always use on a dry, level surface.
- Do not operate without the fan grills properly in place.
- This product is intended for household use ONLY and not for commercial or industrial applications.
- Should the fan stop working, first check the fuse in the plug (UK only) or fuse/circuit breaker at the distribution board is operating, before contacting the manufacturer or service agent.
- If the supply cord or plug is damaged, it must be replaced by the manufacturer or its service agent or a similarly qualified person in order to avoid hazard.

ASSEMBLY INSTRUCTIONS

(Fig. 1 inside back page)

Base assembly

You will need the base cover (S,T), weighted insert (U), 1 pole (R) (either can be used as they are interchangeable) and base nut (V). **IMPORTANT:** Unscrew the nut underneath the weight and discard the removable plastic plug from the centre of the base.

1. Insert one pole through the base cover and twist

pole clockwise to lock in position. Be careful to align the cutaway grooves on the threaded joint (male end) with the two protruding raised pieces inside the hollow end of the base cover.

2. Now turn the base cover upside down (pole facing floor) and place the weighted insert into the base cover. The pole threads will be exposed as they protrude through the base insert.
3. Hold the pole, base cover and weighted insert in one hand, place the base nut on the threaded section and hand tighten the base nut with the other hand.

NOTE: Do not use a tool to tighten the base nut.

Pole assembly

You will need the second pole (O) (The poles are interchangeable).

1. Insert the pole with the threaded joint (male end), into the hollow end of the second pole until both poles meet. Be careful to align the cutaway/grooves on the threaded joint (male end) with the two protruding pieces inside the hollow end of the second pole (female end) (P).
2. Now slowly turn the pole with the threaded joint clockwise to lock it securely in place.

Fan head assembly

You are now ready to assemble the fan head.

1. Position the rear grill (G) over the motor shaft (I) making certain that the 2 notches at the top and bottom of the rear grill, fit over the 2 prongs on the motor housing (J,M). Please make sure the rear grill sits securely against the motor housing.
2. Secure the rear grill in its place using the rear grill mounting nut (F). Turn this nut clockwise and tighten firmly. Position the large fan blade (E), with the hollowed interior of the blade facing towards the rear grill, firmly onto the motor shaft. Align the motor shaft pin with the recessed groove on the back of the fan blade. Be sure that the shaft protrudes through the front of the blade.
3. Position the small fan blade (D) into the hollowed interior of the large blade and press firmly into place. Also be sure that the shaft protrudes from the front of the blade.
4. Secure the fan blades onto the motor shaft by turning the blade cap (C) anti-clockwise and tighten firmly.
5. Centre the front grill (B) by aligning the Bionaire® logo on the logo plate (A) so that it is horizontal and parallel with the floor. Then, secure the front and rear grills completely together by pushing the front grill onto the clips, whilst holding the clips in place.

Final assembly

1. Insert the fan neck joint into the hollow end of the top pole and slowly turn the neck joint to lock in place. Be careful to align the cutaway/

grooves on the neck joint with the two protruding raised pieces inside the hollow end of the pole.

2. Lastly, insert the tilt adjustment knob (N) into the neck joint and tighten until it is securely in place.

OPERATING INSTRUCTIONS

1. Set the fan base on a dry level surface.
2. Make sure the Selector (Speed) Control is in the OFF(0) position. Selector (Speed) Control is located on the top of the fan motor housing.
3. Plug the cord into a suitable 220-240V. AC outlet.
4. The SPEED is adjusted by turning the Selector (Speed) Control to the desired setting:
0 - Off
I - Low
II - Med
III - High
5. The OSCILLATION control (L) is located on the top of the fan motor housing. To start oscillation, push the control knob down. To stop oscillation, pull the control knob up.

ADJUSTMENT

Tilt adjustment

1. To change the tilting angle of the fan head, simply loosen the tilt adjustment knob (N).
2. Move the fan head to the desired angle, then firmly tighten the knob to lock in place.

Height adjustment

This fan is equipped with two poles which allow you to adjust the height of the fan for two height settings. With one pole only, the fan can be used on a table or floor. With both poles fitted it is a floor standing fan.

- Small pole 760mm (30")
- Longer pole 910mm (36")
- Both poles 1250mm (50")

Floor to table conversion

1. Remove the fan head by turning it anti-clockwise and lifting off the pole. Remove one of the poles, (see above for heights available).
2. Refit the fan head as detailed in "Final assembly".

CLEANING AND MAINTENANCE

Follow these instructions to correctly and safely care for your Bionaire® fan. Please remember:

- Always unplug the fan before cleaning or assembly.
- Do not allow water to drip on or into the fan motor housing.
- Be sure to use a soft cloth, moistened with a mild soap solution.
- Do not use any of the following as a cleaner: petrol, thinners or benzine.

Fan Blade cleaning

(See instructions for fan head assembly)

1. To access the fan blade, remove the front grill and securing screw.

2. Clean the fan blade, front and rear grills with a soft moist cloth.
3. Replace the fan blade, tighten screw and securely fasten the front grill.

Fan head, base and pole cleaning

Using a soft, moist cloth, with or without a mild soap solution, carefully clean the fan base, pole and head. Please use caution around the motor housing area. Do not allow the motor or other electrical components to be exposed to water.

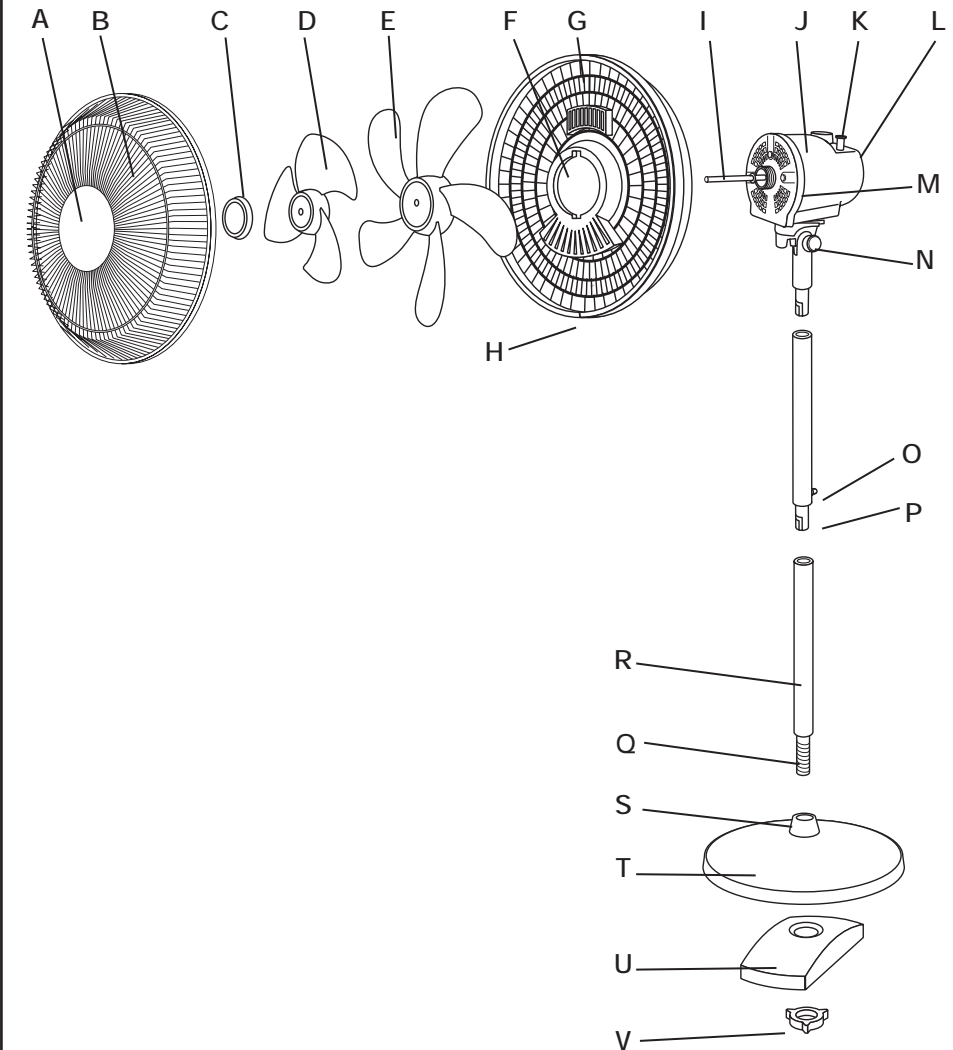
FAN STORAGE

Your fan can be stored either partially disassembled or assembled.

- It is important to keep it in a safe, dry location.
- If stored disassembled, we recommend using the original (or appropriately sized) box.
- If stored assembled or partially assembled, remember to protect the fan head from dust.

BASF1016

Figure 1



Free Manuals Download Website

<http://myh66.com>

<http://usermanuals.us>

<http://www.somanuals.com>

<http://www.4manuals.cc>

<http://www.manual-lib.com>

<http://www.404manual.com>

<http://www.luxmanual.com>

<http://aubethermostatmanual.com>

Golf course search by state

<http://golfingnear.com>

Email search by domain

<http://emailbydomain.com>

Auto manuals search

<http://auto.somanuals.com>

TV manuals search

<http://tv.somanuals.com>