

**FAN STORAGE**

When storing your fan in the off season, it is important to keep it in a safe dry location. It is important to protect the fan from dust. WE STRONGLY RECOMMEND USING THE ORIGINAL BOX FROM PURCHASE.

**FITTING A REPLACEMENT PLUG FOR U.K. AND IRELAND ONLY.**

If the plug is not suitable for the socket outlets in your home, it can be removed and replaced by a plug of the correct type. Please refer to "Installation of a plug" below.

**INSTALLATION OF A PLUG APPLICABLE TO U.K. AND IRELAND**

The wires in this mains lead are coloured in accordance with the following code:

- Blue - Neutral
- Brown - Live


This appliance is fitted with a 13 amp plug. The fuse should be rated at 3 amps and ASTA approved to BS1362.

However if the plug is unsuitable, it should be removed from the supply cord and an appropriate plug fitted as detailed below:

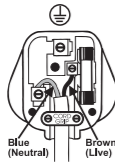
As the colours of the wires in the mains lead of this appliance may not correspond with the coloured markings identifying the terminals in your plug, proceed as follows:

The wire which is coloured Blue must be connected to the terminal which is marked with the letter N or coloured Black.

The wire which is coloured Brown must be connected to the terminal which is marked with the letter L or coloured Red.

NB. Neither wire should be connected to the terminal in your plug which is marked with the letter E or by the Earth symbol  or coloured Green or Green and Yellow. If in doubt consult a qualified electrician.

If any other plug is used, a 3 amp fuse must be fitted either in the plug or adaptor or at the distribution board.



NOTE: If the terminals in the plug are not marked or if you are unsure or in doubt about the installation of the plug please contact a qualified electrician. If a 13A 3-pin plug is fitted, it must be an ASTA approved plug, conforming to BS1363 standard. Replacement 3A fuses must be BSI or ASTA BS1362 approved.

**GUARANTEE**

PLEASE KEEP YOUR RECEIPT AS THIS WILL BE REQUIRED FOR ANY CLAIMS UNDER THIS GUARANTEE.

- This product is guaranteed for 3 years.
- In the unlikely event of breakdown, please take it back to the place of purchase, with your till receipt and a copy of this guarantee.
- The rights and benefits under this guarantee are additional to your statutory rights which are not affected by this guarantee.
- Holmes Products Europe undertakes within the specific period, to repair or replace free of charge, any part of the appliance found to be defective provided that:
- We are promptly informed of the defect.
- The appliance has not been altered in any way or subjected to misuse or repair by a person other than a person authorised by Holmes Products Europe.
- No rights are given under this guarantee to a person acquiring the appliance second hand or for commercial or communal uses
- Any repaired or replaced appliance will be guaranteed on these terms for the remaining portion of the guarantee.

THIS PRODUCT IS MANUFACTURED TO COMPLY WITH THE E.E.C. DIRECTIVES 73/23/EEC, 89/336/EEC AND 98/37/EEC.



Holmes Products (Europe) Ltd  
1 Francis Grove  
London SW19 4DT  
England

Fax: +44 (0)20 8947 8272

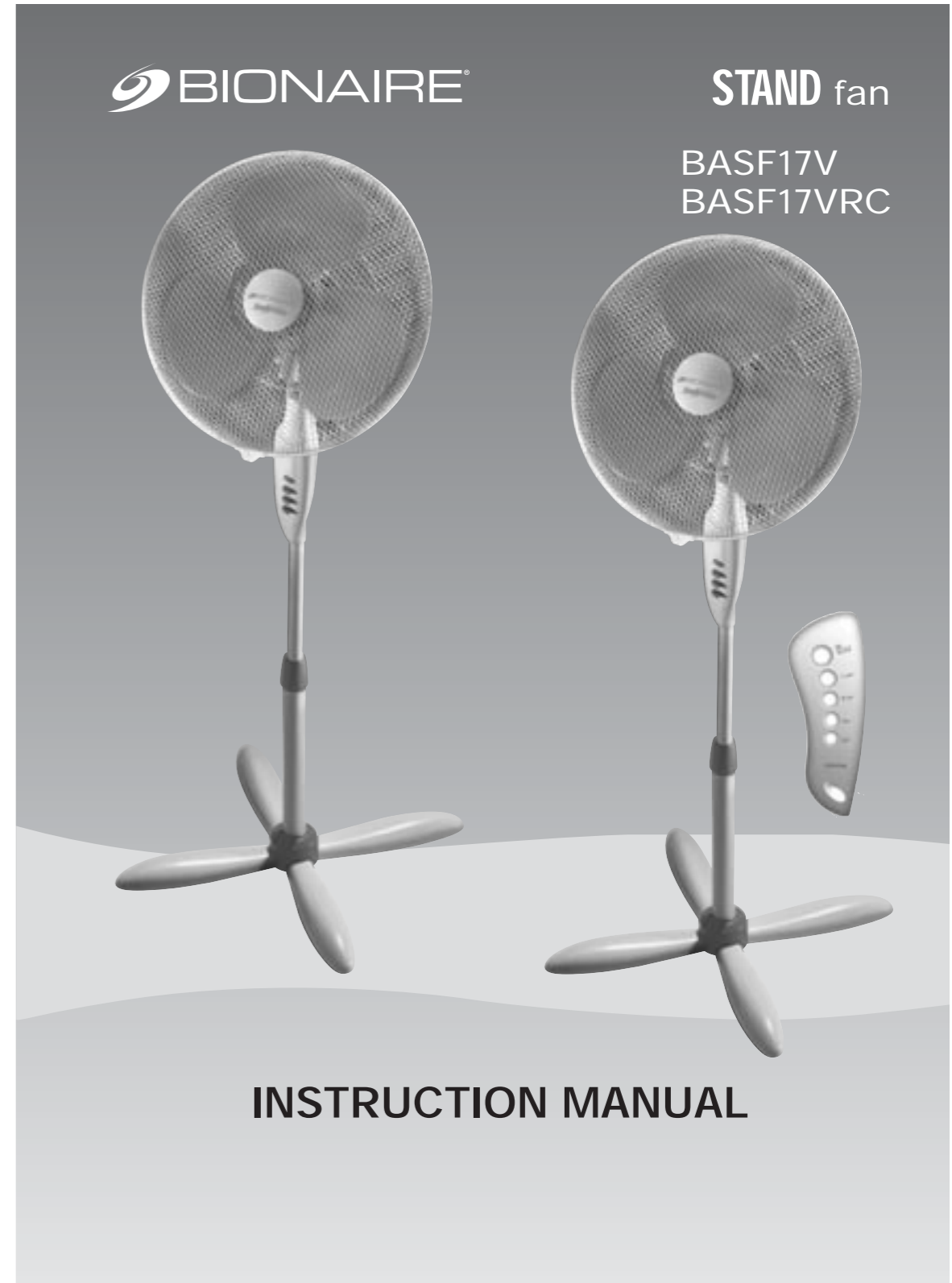
Email: [info-europe@theholmesgroup.com](mailto:info-europe@theholmesgroup.com)

Website address: [www.theholmesgroup.com/europe](http://www.theholmesgroup.com/europe)

UK - Free phone Customer Service Helpline - 0800 052 3615



9100010004639  
BASF17V/VRCIUK04EM1



## U.K. and IRELAND

### PLEASE READ AND SAVE THESE IMPORTANT INSTRUCTIONS

When using electrical appliances, basic safety precautions should always be taken including the following:

- Use the fan only for purposes described in the instruction manual.
- To protect against electrical shock, do not immerse the fan, plug or mains cable in water or spray with liquids.
- Close supervision is necessary when any appliance is used by or near children.
- Unplug from the electrical outlet when not in use, when moving the fan from one location to another, before putting on or taking off parts and before cleaning.
- Avoid contact with any moving parts.
- Do not operate in the presence of explosives and/or flammable fumes.
- Do not place the fan or any parts near an open flame, cooking or other heating appliance.
- Do not operate any appliance with a damaged mains cable, plug, after the appliance malfunctions, or has been dropped/damaged in any manner.
- The use of attachments not recommended or sold by the appliance manufacturer may cause hazards.
- Do not let the mains cable hang over the edge of a table or counter, or come into contact with hot surfaces.
- To disconnect from the electrical supply, grip the plug and pull from the wall outlet. DO NOT pull on the mains cable.
- Always use on a dry, level surface.
- Do not operate without the fan grills properly in place.
- This product is intended for household use ONLY and not for commercial or industrial applications.
- Should the appliance stop working, first check the fuse in the plug (UK only) or fuse/circuit breaker at the distribution board is operating, before contacting the manufacturer or service agent.
- If the supply cord or plug is damaged, it must be replaced by the manufacturer or its service agent or a similarly qualified person in order to avoid hazard.
- The appliance contains no user serviceable parts and should the product suffer damage or breakdown it must be returned to the manufacturer or its service agent.

- Do not use outdoors.
- The fan should not be operated without its base fitted.
- The fan should not be operated laying on its side.

### ASSEMBLY INSTRUCTIONS

(See Fig. 1 and 2)

#### Base and pole

1. Slide the main pole (A) on the cross base (B), making sure the alignment of four holes. Then use four cross base screws (C) to lock them together.
2. Slide the stand base sheath (D) into the main pole.
3. Unscrew the pole extension screw (E) around the top of the main pole and raise the chrome extension pole (F) to its full height. Retighten the pole extension screw.
4. Take the fan head assembly (G), slacken the fixing screw (H) and insert the neck of the fan head assembly onto the pole. Retighten the fixing screw.

#### Head and guard

5. Unscrew the fan blade securing screw (I). **NOTE: THIS SCREW HAS LEFT HANDED THREAD AND THEREFORE IS REMOVED BY TURNING CLOCKWISE.** Unscrew the rear grill mounting nut (J).
6. Position the rear grill (K) over the motor shaft (L) making sure the notches (M), 2 at the top and 1 at the bottom of the rear grill, fit over the corresponding prongs (N) on the motor housing.
7. Please make sure the rear grill fits securely against the motor housing before securing the rear grill in its place using the rear grill mounting nut (J). Turn this nut clockwise and tighten firmly.
8. Slide the fan blade (O) with the hollowed interior of the blade facing toward the rear grill, firmly onto the motor shaft. The top of the motor shaft should lie even with the centre of the fan blade.
9. Now use the securing screw (I) to lock the blade into place. **NOTE: THIS SCREW HAS A LEFT HANDED THREAD AND THEREFORE TIGHTENS ANTICLOCKWISE.** Ensure the screw is tight but do not overtighten.
10. Centre the front grill (P) by aligning the Bonaire logo on the logo plate so that it is horizontal and parallel with the floor. Then, holding the front grill against the rear grill, hook the top of the grill ring over the top of the rear grill. Gently push the two parts of the grill together until the clips around the

grill ring snap into position, holding the grill together. The grill ring must fit evenly around the front and rear grills. If it does not, remove the front grill and check the alignment of the ring on the front grill.

11. Secure the guard using the screw (Q), washer (R) and clip (S) by inserting the screw, from the front, through the hole in the bottom of the guard ring. From the back, put the washer and clip, which has a threaded hole, onto the screw, ensuring the clip is the correct way to fit into the recess on the fan ring. Tighten the screw fully but do not overtighten.

### OPERATING INSTRUCTIONS

1. Set fan on a dry, level surface.
2. Plug cord into any standard 220-240 volt outlet. Please make sure the speed control is in the off position.

#### For BASF17V only

1. The SPEED is adjusted by pressing the Control Pad button (W) to the desired setting:  
Off (O) - High (III) - Med (II) - Low (I)
2. The OSCILLATION control (T) is located on the top of the fan motor housing. To start oscillation, push the control knob down. To stop oscillation, pull the control knob up.

#### For BASF17VRC only

### REMOTE CONTROL

The Remote Control requires 2 AAA batteries for operation. To install the batteries (not included), simply depress the back of the remote, with your thumb in the indentations, and remove the cover. Insert the batteries according to the diagram shown inside. Replace the cover.

All function keys are enabled after pressing the On/Speed key, using the Remote Control unit (V) or the Control Pad (W).

### On/Speed (⏻)

1. To turn the fan On press the On/Speed button. The fan will start to operate at the low speed. You may now choose alternative settings.
2. The fan will be turned Off when you press the Off (O).
3. By pressing the On/Speed button, you can choose 3 different speeds; successive presses of the On/Speed button cycles the fan through the 3 speeds available.
4. The LED lamp on the Control Pad indicates the selected speed stage (III-II-I).

### Timer (⌚)

- 1 You can choose different timer stages by

pushing the Timer button.

- 2 The LED lamp on the Control Pad indicated the selected time in hours. After the selected time the fan will stop automatically.
- 3 If no timer LED lamps are lit, the fan will run constantly.
- 4 The memorized time displayed on the keypad is cumulative, i.e. if the 1 hour and 0.5 hour LEDs are lit the fan will switch off after 1.5 hours. The maximum memorized time is 7.5h, each press of the Timer button adds 0.5 of an hour.

### Oscillation (↔)

By pressing the Oscillation button, the fan begins to oscillate. Re-press the button to stop.

### Breeze Mode (☼)

By pressing the Breeze Mode key, different functions can be chosen.

1. Natural Breeze Mode (☼) (press Breeze Mode button once).  
The Mode LED flashes and the fan operates at different speed stages alternately, to imitate a natural breeze. To de-activate the Natural breeze mode function switch the fan off.
2. Sleeping Breeze Mode (☺) (press Breeze Mode button twice)  
Sleeping breeze mode can be used in association with the Timer (see above Timer section for details). By setting different timer durations at Sleeping breeze mode, the fan operates at decreasing speed stages until the memorized timer duration is reached. The LED lamp is continuously on. To de-activate the Sleeping breeze mode function switch the fan off.

### ADJUSTMENT INSTRUCTIONS

#### Fan Head Tilt-Adjustment

1. To change the tilting angle of the fan head, simply loosen the tilt-adjustment knob (U).
2. Move the fan head to the desired angle and firmly tighten the tilt-adjustment knob (U) to lock into place.

#### Height adjustment

Follow these instructions to adjust the height of the fan.

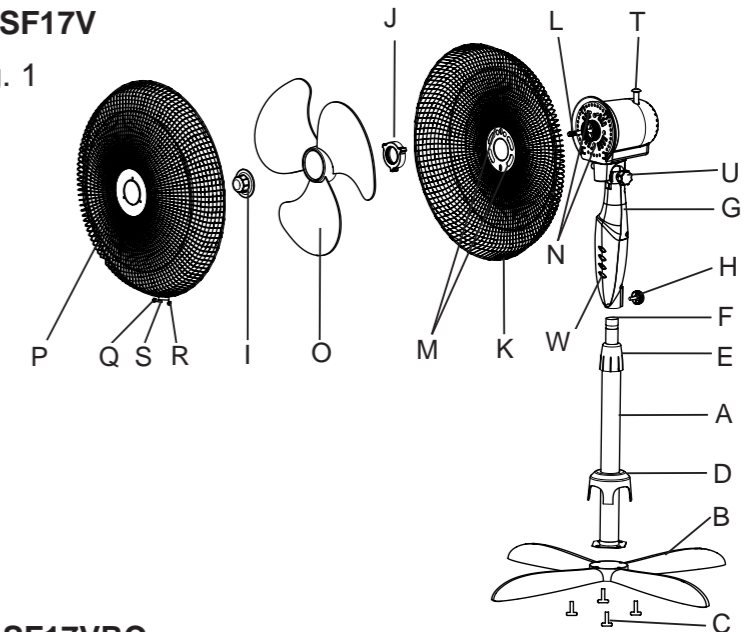
1. Turn the pole locking knob (E) anticlockwise to loosen the pole.
2. Adjust the pole to the desired height and firmly tighten the locking knob in a clockwise direction.

### CLEANING AND MAINTENANCE

- Always unplug the fan before cleaning or disassembly.
- Do not allow water to drip on or into the fan motor housing.

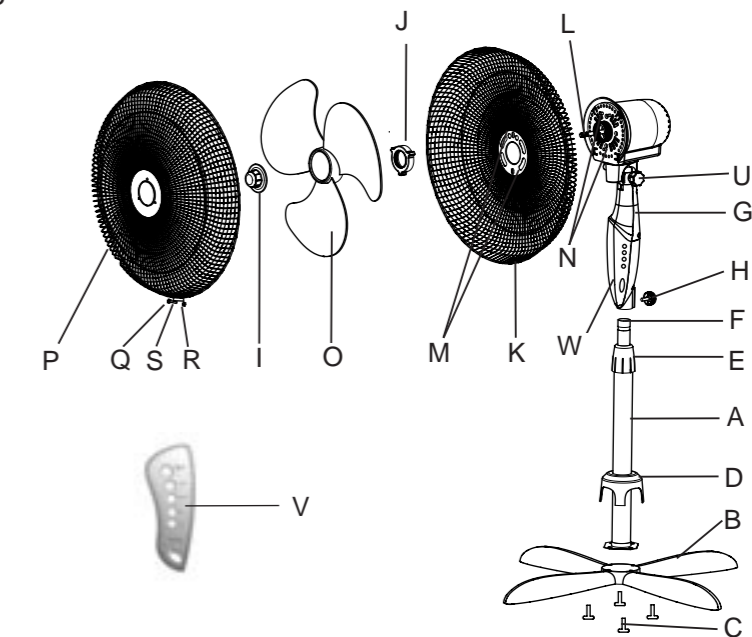
## BASF17V

Fig. 1



## BASF17VRC

Fig. 2



## Free Manuals Download Website

<http://myh66.com>

<http://usermanuals.us>

<http://www.somanuals.com>

<http://www.4manuals.cc>

<http://www.manual-lib.com>

<http://www.404manual.com>

<http://www.luxmanual.com>

<http://aubethermostatmanual.com>

Golf course search by state

<http://golfingnear.com>

Email search by domain

<http://emailbydomain.com>

Auto manuals search

<http://auto.somanuals.com>

TV manuals search

<http://tv.somanuals.com>