



MODEL CMA-66

PARTS MANUAL

Rev 1.06A



CMA DISHMACHINES
12700 KNOTT AVENUE
GARDEN GROVE, CALIFORNIA 92841
800-854-6417
FAX 714-895-2141

www.cmadishmachines.com

Table of Contents

CMA-66

1. PARTS MANUAL.....	4
1.1. Initial Parts Kit (P/N 13996.80).....	4
1.2. Exploded View Drawings.....	5
1.2.1. Cabinet Assembly	5
1.2.2. Control Box Assembly	6
1.2.3. Curtain and Optional Vent System	7
1.2.4. Temperature Control System	8
1.2.5. Pump Assembly.....	9
1.2.6. Drain System Assembly.....	10
1.2.7. Plumbing System Assembly.....	11
1.2.8. Wash System assembly.....	12
1.2.9. Rocker Arm Assembly	13
1.2.10. Trip Switch Assembly – Old Style	14
1.2.11. Trip Switch Assembly – New Style.....	15
1.2.12. Paddle Switch Assembly	16
2. TABLE LIMIT SWITCH INSTRUCTIONS (P/N 13469.20).....	17
3. CORNER FEED TABLE (OPTIONAL FACTORY INSTALLED ONLY)...	19
4. DRAIN WATER TEMPERING KIT (OPTIONAL)	21

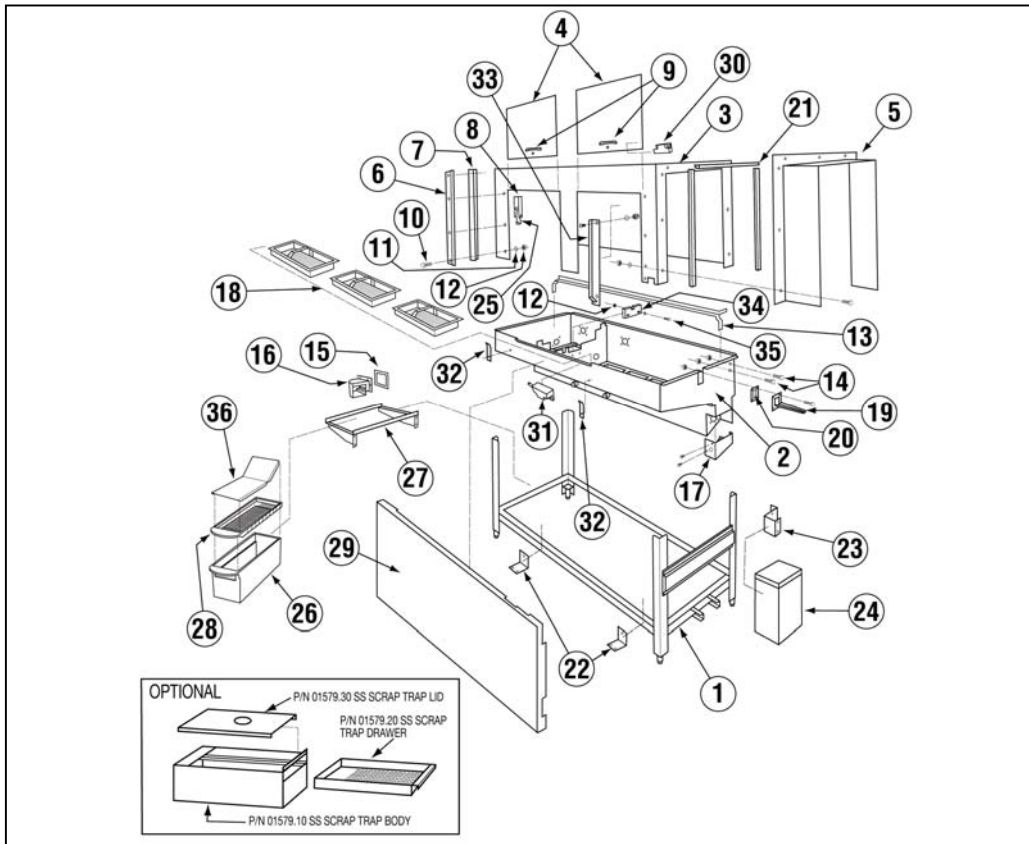
1. Parts Manual

1.1. Initial Parts Kit (P/N 13996.80)

P/N	DESCRIPTION	Qty
00201.85	Pump Motor, 1HP, 3Ph, 60 Hz, 220V	1
00206.00	Pump Seal Kit	1
00208.00	Slip Joint Nut Gasket	1
00411.00	Micro Switch	1
00421.83	CMA-66 Power Rocker Switch, Red	1
00421.87	CMA-66 Heater Rocker Switch, White	1
00557.30	Kynar Reed Switch Gray, 110/220V, 12'	1
00557.56	Kynar Reed Switch Black, 110/220V, 12'	1
00707.00	½" Water Solenoid Repair Kit JE	1
00738.15	¾" & ½" Solenoid Coil JE 220V	1
03202.00	Thermometer (Capillary)	1
03226.00	Pump O-Ring Gasket	1
03623.00	½ Vac Breaker Repair Kit Watts	1
13003.50	Contactator, 30-Amp	1
13003.70	Toggle Switch SPDT 20AMP	1
13012.26	CMA-66P Motor Contactator, 220V	1
13403.26	Fuse, 3-Amp/250V Slow Blow	2
13417.80	Immersion Heater, 3Ph/1Ph, 208-230V, 10kW	1
13418.85	60-Second Timer Relay	1
13463.10	Liquid Level Switch, SS – CMA-66	1
13501.85	Motor 1/3Hp 200-230/460 60hz 3ph	1
13507.50	Cam Bearing, SS	1
13508.60	Swivel Hook Spring Assembly	1

1.2. Exploded View Drawings

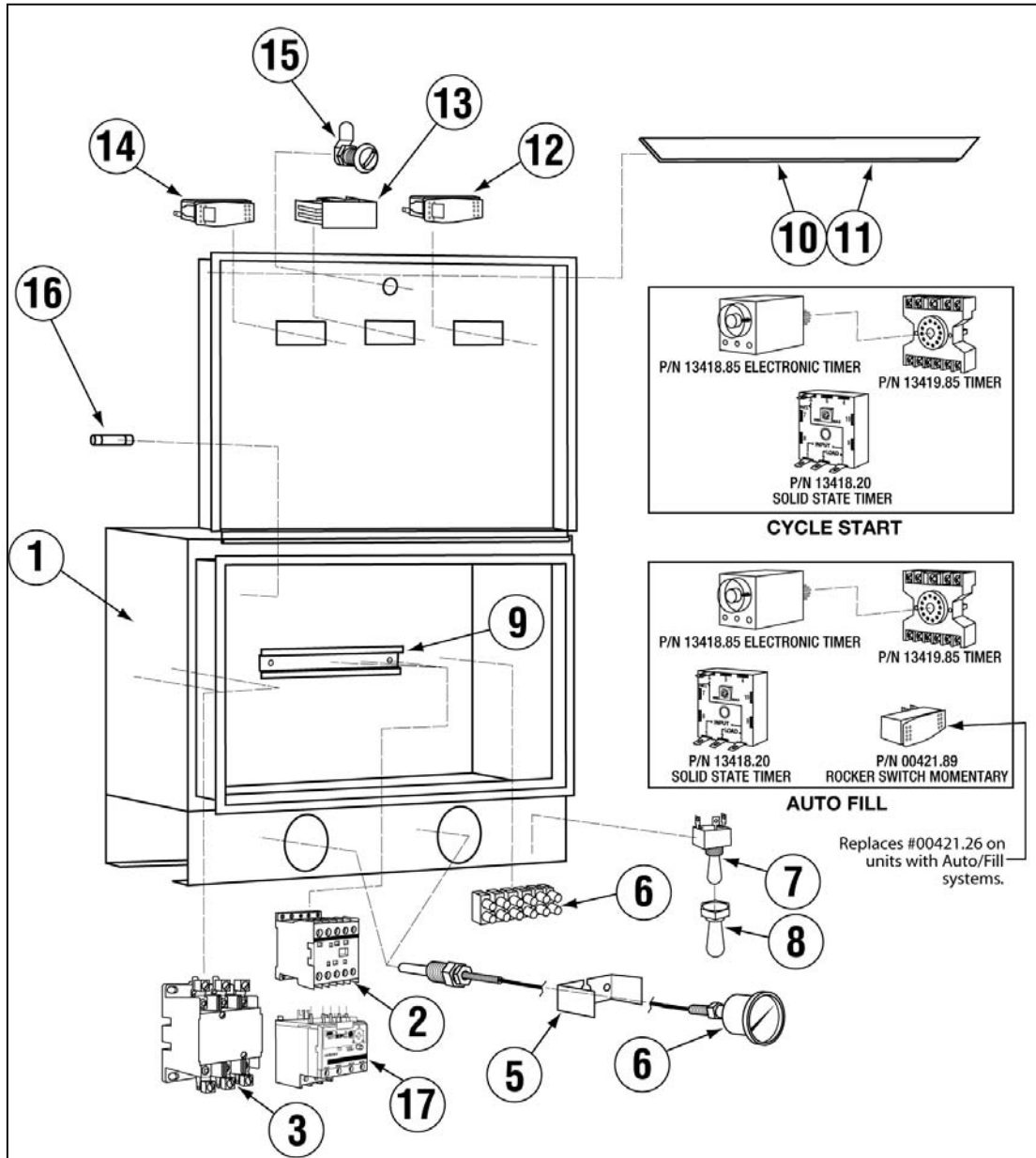
1.2.1. Cabinet Assembly



ITEM NO.	NO. REQ'D	P/N	DESCRIPTION
1	1	13903.36	Frame Stand
2	1	13902.35	L-R Pan
		13902.45	R-L Pan
3	1	13900.36	L-R Wrapper
		13900.46	R-L Wrapper
4	2	01506.30	Door
5	2	13901.00	Wrapper Shield
6	4	01554.30	Door Guide
7	4	00636.10	Door Guide Plastic
8	4	13915.00	Door Latch Bracket
9	2	00535.30	Door Handle
10	26	00905.00	1/4-20 x 1/2" Trusshead Bolt
11	60	00924.00	1/4" Washer, SS
12	54	00912.00	1/4-20 Nylon Lock Nut
13	2	13906.36	Tray Track Rail
14	8	00914.10	1/4-20 x 5/8" Hex Head Bolt
15	1	13511.26	Overflow Chute Gasket
16	1	13511.06	L-R Overflow Chute
		13511.16	R-L Overflow Chute
17	1	13927.06	L-R Heater Cover
		13927.16	R-L Heater Cover

ITEM NO.	NO. REQ'D	P/N	DESCRIPTION
18	3	13910.82	Strainer Basket, Wash/Rinse
19	1	13913.00	Drip Chute
20	1	13542.00	Drip Chute Gasket
21	8Ft	03705.00	Foam Tape
22	2	13010.06	Drain Valve Handle Support
23	1	13504.26	Gearbox Cover Mount (Optional)
24	1	13504.06	Gearbox Cover (Optional)
25	2	13701.00	Door Latch
26	1	01577.10	Scrap Trap Body molded
27	1	17579.00	Scrap Trap Holder
28	1	01577.20	Scrap Trap Drawer molded
29	1	13912.36	Splash Shield
30	2	00557.60	Reed Switch Magnet
31	2	00557.30	Kynar Reed Switch only 110/120
32	2	13912.81	Splash Shield Clip
33	1	13704.08	L-R Curtain Splash Shield
		13704.06	R-L Curtain Splash Shield
34	1	13522.06	Conveyor bar guide
35	2	00962.00	1/4"-20x1" Hexhead Bolt
36	1	01577.36	Scrap Trap Cover SS

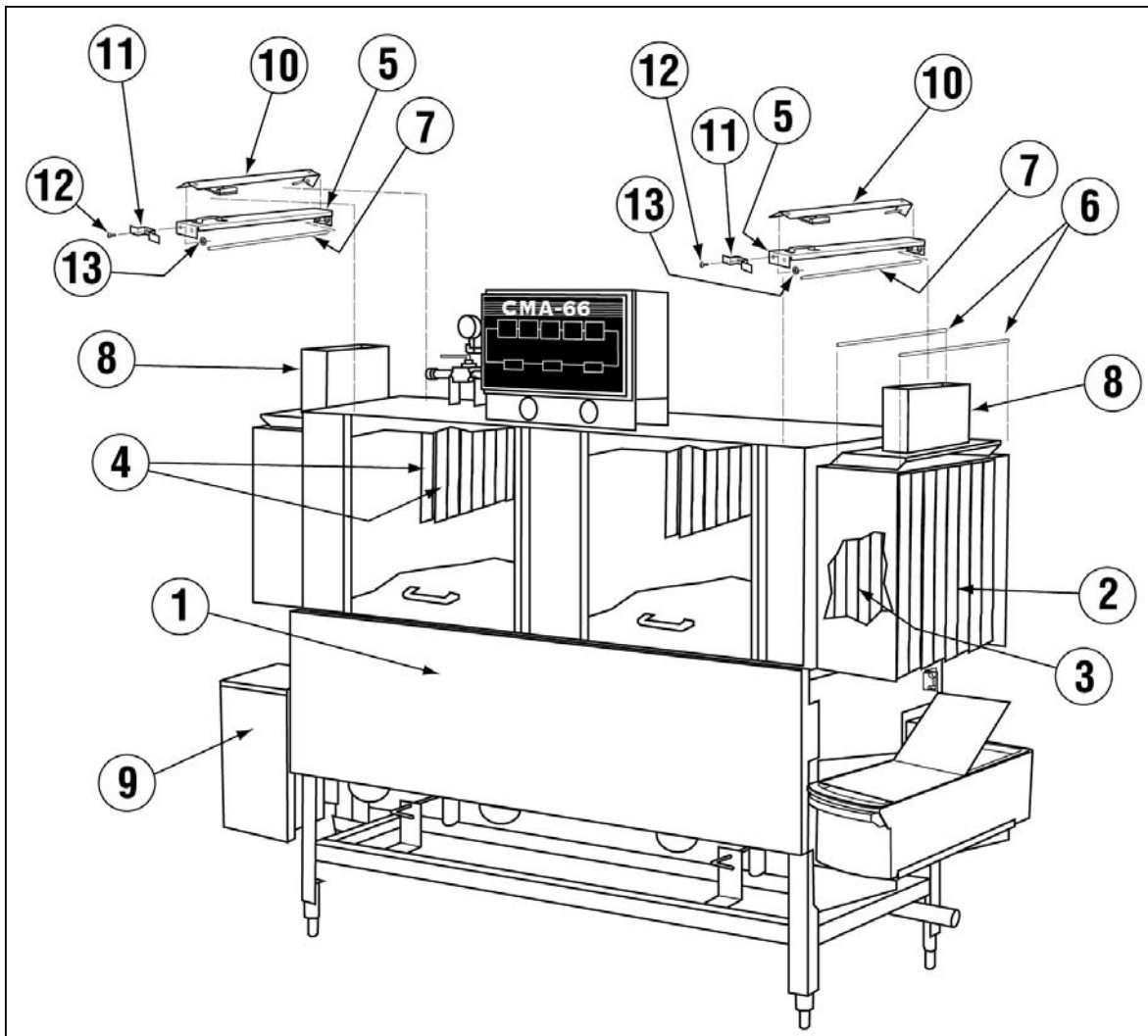
1.2.2. Control Box Assembly



ITEM NO.	NO. REQ'D	P/N	DESCRIPTION
1	1	13904.06	Control Box w/Lid
2	4	13012.26	Motor Contactor, 220V
3	2	13003.50	Contactor, 30-Amp
4	2	03202.00	Thermometer
5	2	03202.08	Thermometer Bracket
6	1	00454.06	6-Pole Terminal Block
7	1	13003.70	Timer Relay Override Switch
8	1	00470.10	Toggle Switch Rubber Boot
9	1	13003.60	Starter DIN Rail

ITEM NO.	NO. REQ'D	P/N	DESCRIPTION
10	2	17503.17	Control Box Sponge, Long
11	2	17503.18	Control Box Sponge, Short
12	1	00421.87	Rocker Switch, White
13	1	00421.26	Rocker Switch Hole Plug
14	1	00421.83	Power Rocker Switch, Red
15	1	00449.50	Lock, Keyless
16	2	13403.26	Fuse, 3-Amp/250V Slow Blow
17	1	13013.30	1/3 HP Overload Relay 1.2amp-1.8Amp

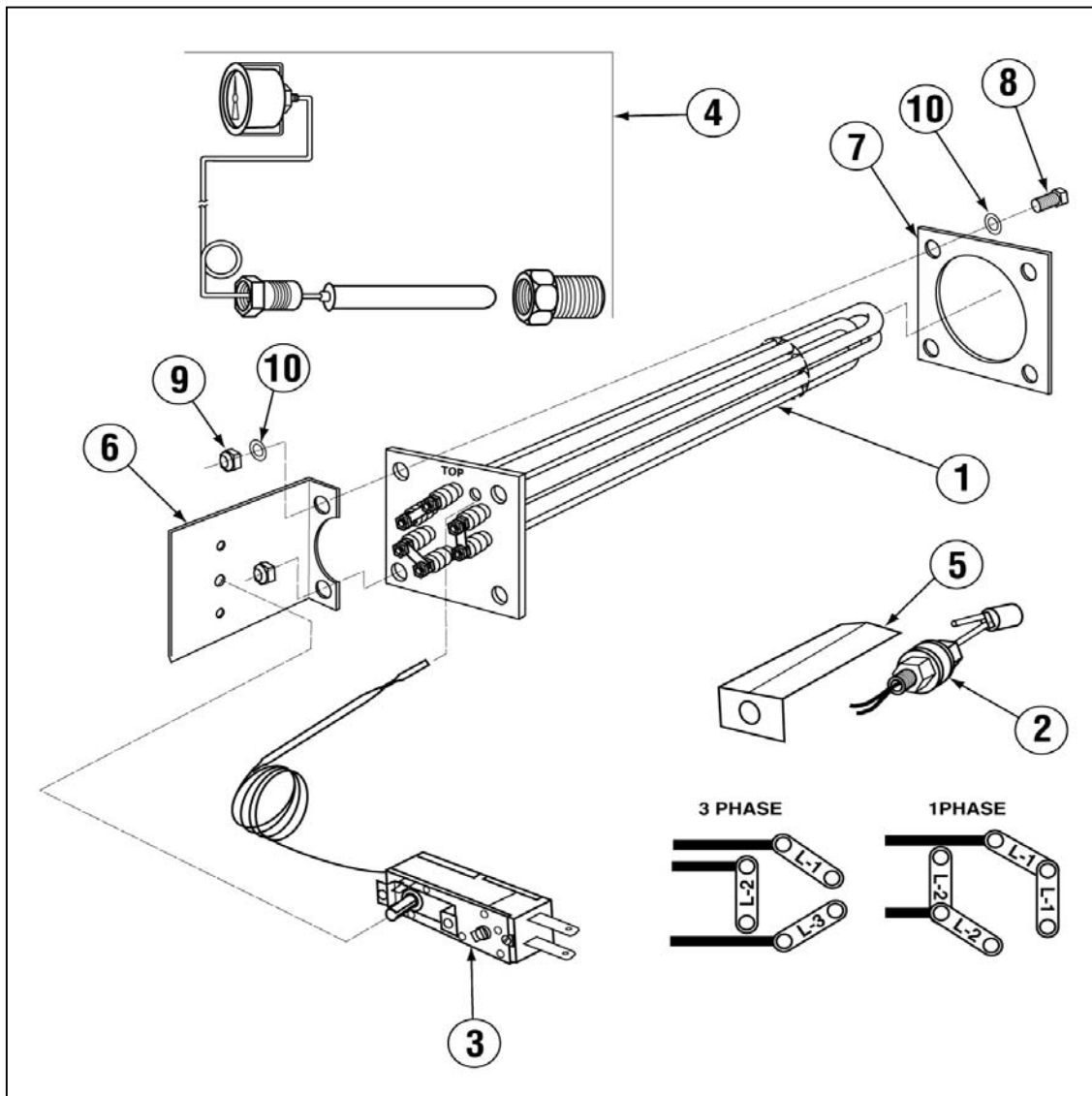
1.2.3. Curtain and Optional Vent System



ITEM NO.	NO. REQ'D	P/N	DESCRIPTION
1	1	13912.82	Splash Shield
2	2	13702.25	Curtain, 20-5/8" x 15"
3	1	13702.15	Curtain, 20-5/8" x 11"
4	4	13702.30	Curtain, 24-5/8" x 15"
5	2	13704.26	Double Curtain Splash Guard Bracket
6	3	13705.00	Curtain Rod, Short
7	4	13705.10	Curtain Rod, Long

ITEM NO.	NO. REQ'D	P/N	DESCRIPTION
8	1	13901.82	(Optional) Hood Adapter – set of 2
9	1	13932.06	(Optional) Conveyor Motor Cover Kit
10	2	13704.16	Dual Curtain Holder (Right to Left)
		13704.36	Dual Curtain Holder (Left to Right)
11	2	13704.46	Dual Curtain Rod Stop
12	4	00907.00	6-32 x 1/2" Pan Head Screw
13	4	00965.00	6-32 Nylon Lock Nut

1.2.4. Temperature Control System

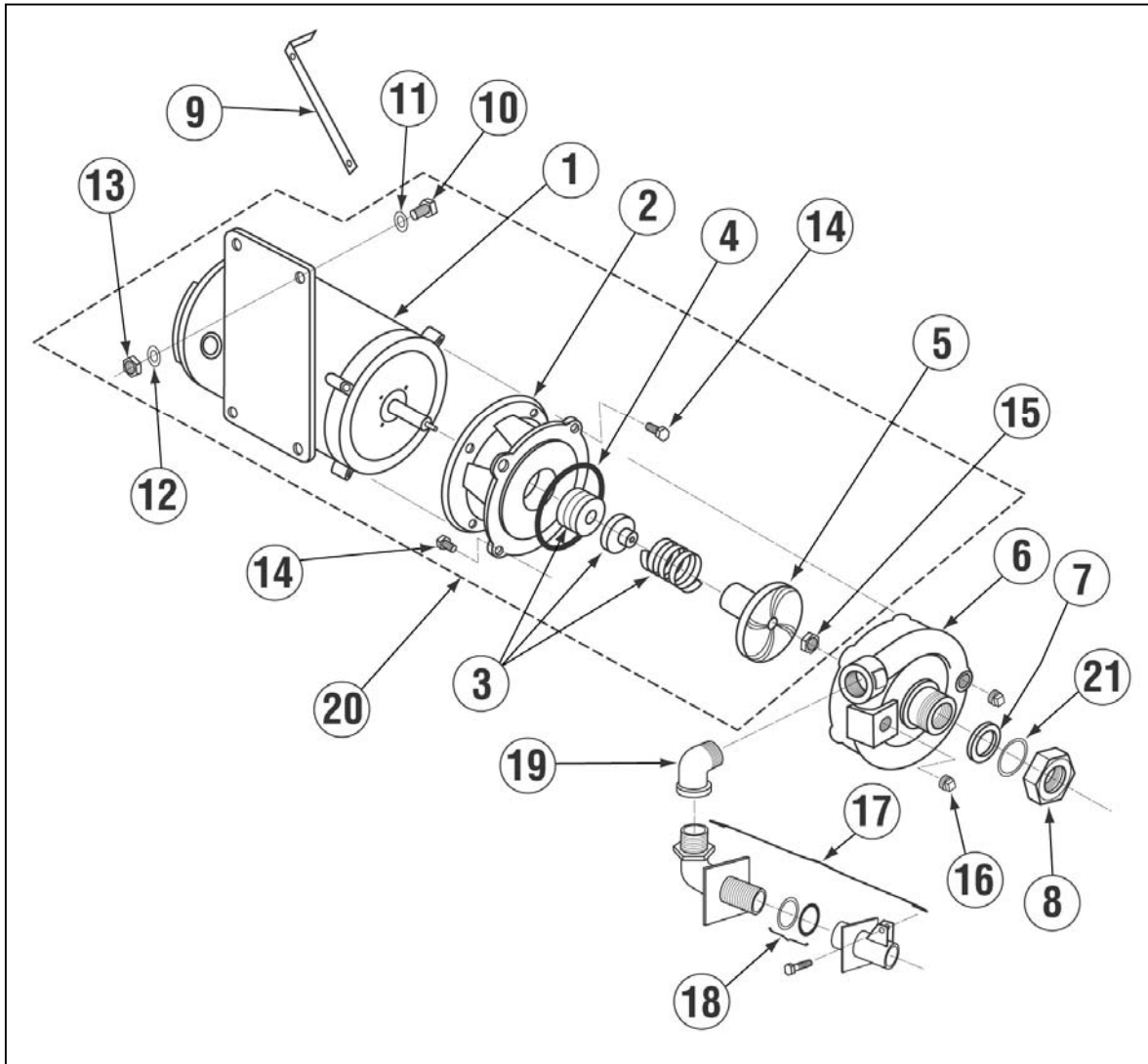


ITEM NO.	NO. REQ'D	P/N	DESCRIPTION
1	1	13417.80	Immersion Heater, 3Ph, 240V, 10kW*
2	1	13463.10	Liquid Level Switch, SS
3	1	13417.89	Thermostat 12KW Heater
4	1	03202.00	Thermometer
5	1	13463.50	Liquid Level Switch Shield

* Includes P/N 13417.89 Thermostat w/c can be ordered separately

ITEM NO.	NO. REQ'D	P/N	DESCRIPTION
6	1	13416.10	Thermostat Bracket
7	1	13417.45	Heater Gasket
8	4	00901.00	5/16 – 18 x 1" Hexhead Bolt
9	4	13805.00	5/16 – 18 Nylon Nut
10	8	00926.00	5/16" SS washer

1.2.5. Pump Assembly



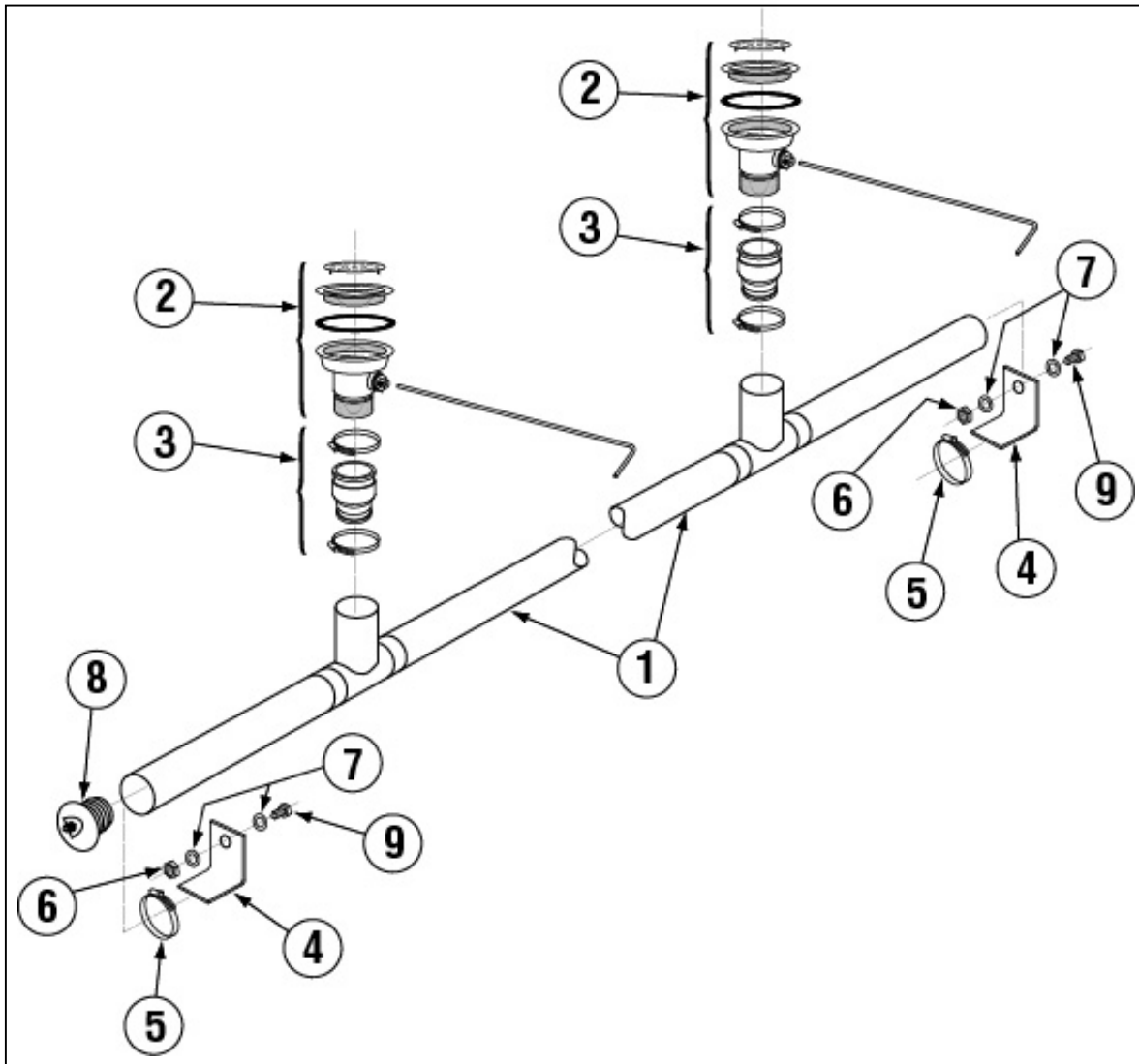
ITEM NO.	NO. REQ'D	P/N	DESCRIPTION
1	2	00201.85	Pump Motor, 1HP, 3Ph, 60 Hz, 220V
2	2	03224.00	Pump Base Mount
3	2	00206.00	Pump Seal Kit
4	2	03226.00	Pump O-Ring Gasket
5	2	03222.85	CMA-66 Water Pump Impeller
6	2	04206.00	Pump Cover
7	2	00208.00	Slip Joint Nut Gasket
8	2	04204.00	Compression Nut, 2.5"
9	2	13916.00	Motor Support Bracket
10	4	00906.00	1/4-20 x 1/2" Hex Bolt
11	4	00922.00	1/4" Lock Star Washer

ITEM NO.	NO. REQ'D	P/N	DESCRIPTION
12	4	00924.00	1/4" SS Washer
13	4	00912.00	1/4-20 Nylon Lock Nut
14	16	00921.00	3/8-16 x 3/4" SS Hex Head Bolt
15	2	13829.00	7/16-20 Thin Nylon Lock Nut
16	4	00238.00	3/8" Male Plug
17	2	00213.00	1" Ford Adapter, MIP x PJ Tube
18	2	00225.00	1" Compression Gasket
19	1	00704.85	1", 90° Elbow*
20	2	00200.85	Motor Assembly, 1HP, 3Ph, 220V, 60 Hz**
21	2	00208.20	Slip Joint Nut Friction Ring

*For CMA-66 R-L only.

**Includes Items 1, 2, 3, 4, 5 and 14.

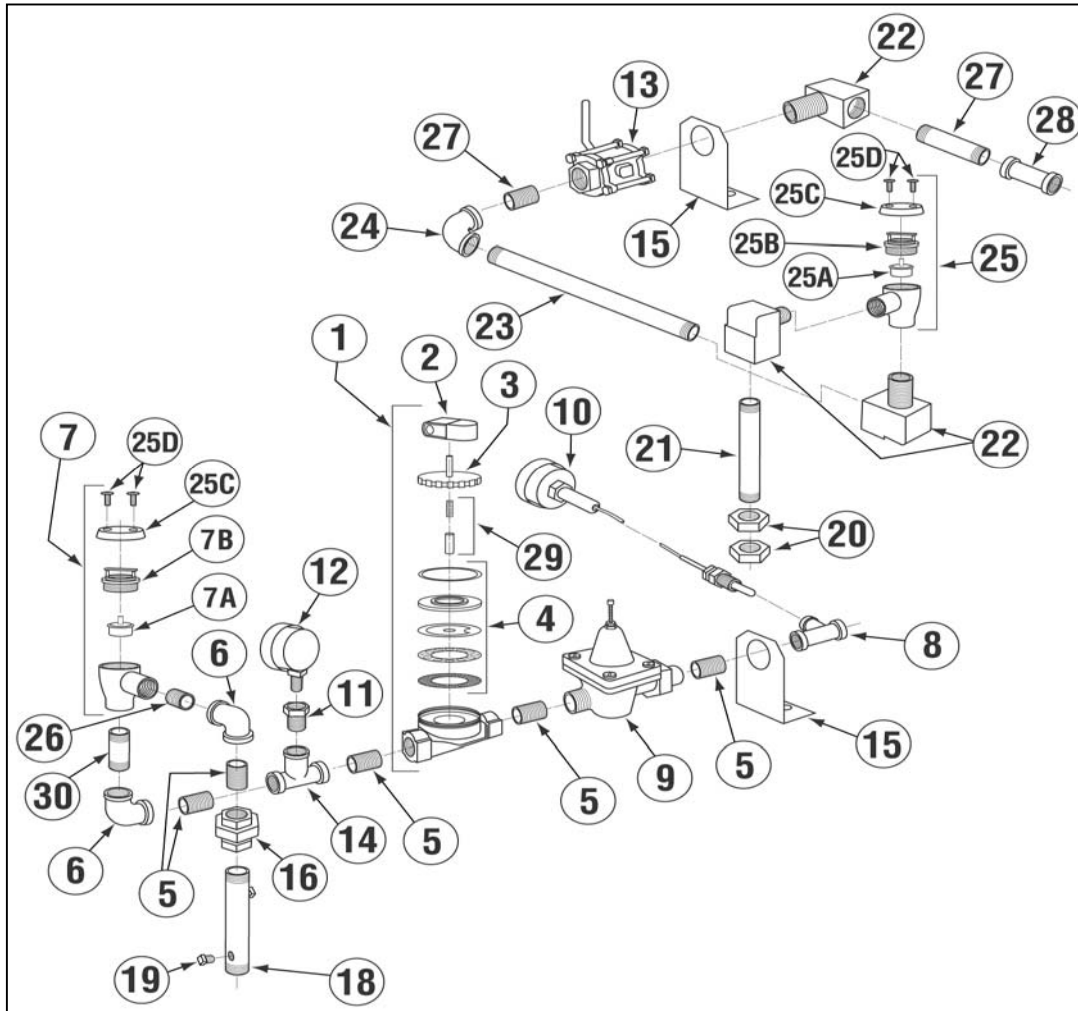
1.2.6. Drain System Assembly



ITEM NO.	NO. REQ'D	P/N	DESCRIPTION
1	1	13001.85	Drain Manifold
2	2	20500.06	Waste Drain Valve
3	2	01317.17	1-1/2" x 2" No Hub
4	2	03001.82	Drain Pipe Support Bracket
5	2	50109.00	Hose Clamp

ITEM NO.	NO. REQ'D	P/N	DESCRIPTION
6	2	00912.00	1/4-20 Lock Nut
7	4	00924.00	1/4" Washer, SS
8	1	13024.00	Dynamite Plug, 2"
9	2	00906.0	1/4-20 x 1/2" Hex Head Bolt

1.2.7. Plumbing System Assembly



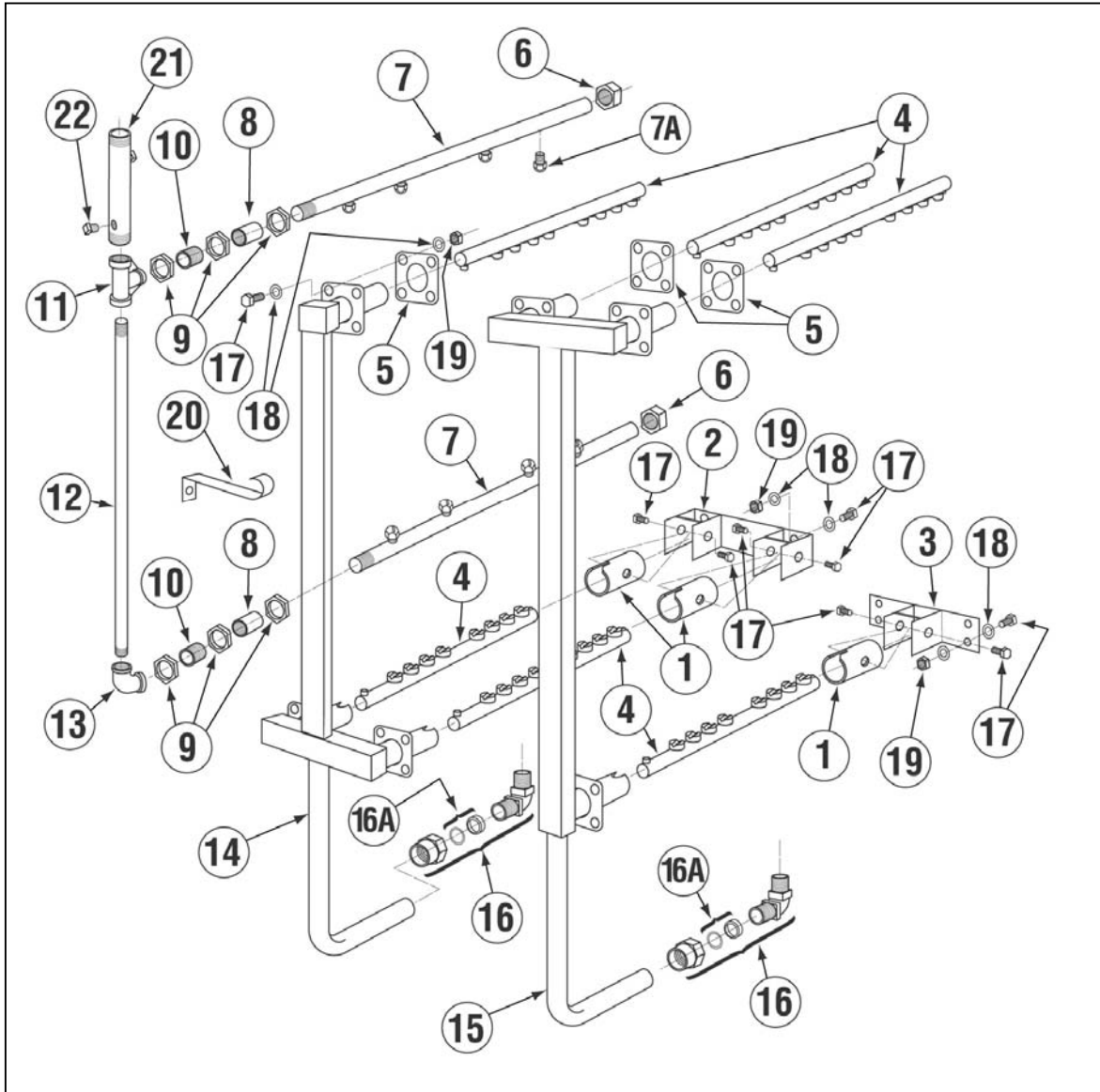
ITEM NO.	NO. REQ'D	P/N	DESCRIPTION
1	1	03603.15	1/2" Water Solenoid Valve 220V, JE*
2	1	00738.15	Water Solenoid Valve Coil, 220V, 1/2" & 3/4"
3	1	03603.20	1/2" Water Solenoid Valve Bonnet
4	1	00707.00	1/2" Water Solenoid Valve Repair Kit
5	4	03614.00	1/2" Close Nipple, Brass
6	2	41030.10	1/2" 90° Elbow, F x F, Brass
7	1	03624.00	1/2" Vacuum Breaker, Watts**
7A	1	03623.00	1/2" Vacuum Breaker Repair Kit
7B	1	03624.25	1/2" Vacuum Breaker Bonnet
8	1	00716.00	1/2" x 1/2" x 3/4" F x F x F Tee, Brass
9	1	13602.45	1/2" Pressure Regulator
10	1	03202.00	Thermometer (Capillary)
11	1	13604.00	1/2" x 1/4" Bushing
12	1	13605.00	Pressure Gauge
13	1	13028.00	3/4" Ball Valve, 3-piece
14	1	00743.10	1/2" Tee, F x F x F
15	2	01525.06	Plumbing Support Bracket
16	1	13610.30	1/2" Union, SS

*Includes Items 2, 3 and 4.
**Includes Items 7A, 7B, 25C and 25D.

ITEM NO.	NO. REQ'D	P/N	DESCRIPTION
17	1	00747.30	1/2" x 3" SS Nipple
18	1	13669.60	Mixing Chamber, 1/2" SS
19	2	03232.00	1/8" Male Plug
20	2	13606.00	3/4" Jamb Nut, Brass
21	1	13612.00	3/4" x 5" Brass Nipple
22	3	00704.00	3/4" 90° Street Elbow
23	1	13634.06	3/4" x 8" Nipple, Brass
24	1	13633.00	3/4" 90° Elbow, F x F, Brass
25	1	00710.50	3/4" Vacuum Breaker***
25A	1	00735.00	3/4" Vacuum Breaker Repair Kit
25B	1	00735.60	3/4" Vacuum Breaker Bonnet
25C	2	00739.50	Vacuum Breaker Cap
25D	4	00421.51	6-32 x 1/4" SS Panhead Screw
26	2	00742.00	1/2" x 2" Nipple, Brass
27	1	00781.00	3/4" x 3-1/2" Nipple, Brass
28	1	00749.00	Coupling 3/4" Brass
29	1	00786.00	Water Solenoid Plunger with Spring
30	1	00780.00	Nipple, Brass, 1/2" x 2-1/2"

***Includes Items 25A, 25B, 25C and 25D.

1.2.8. Wash System assembly

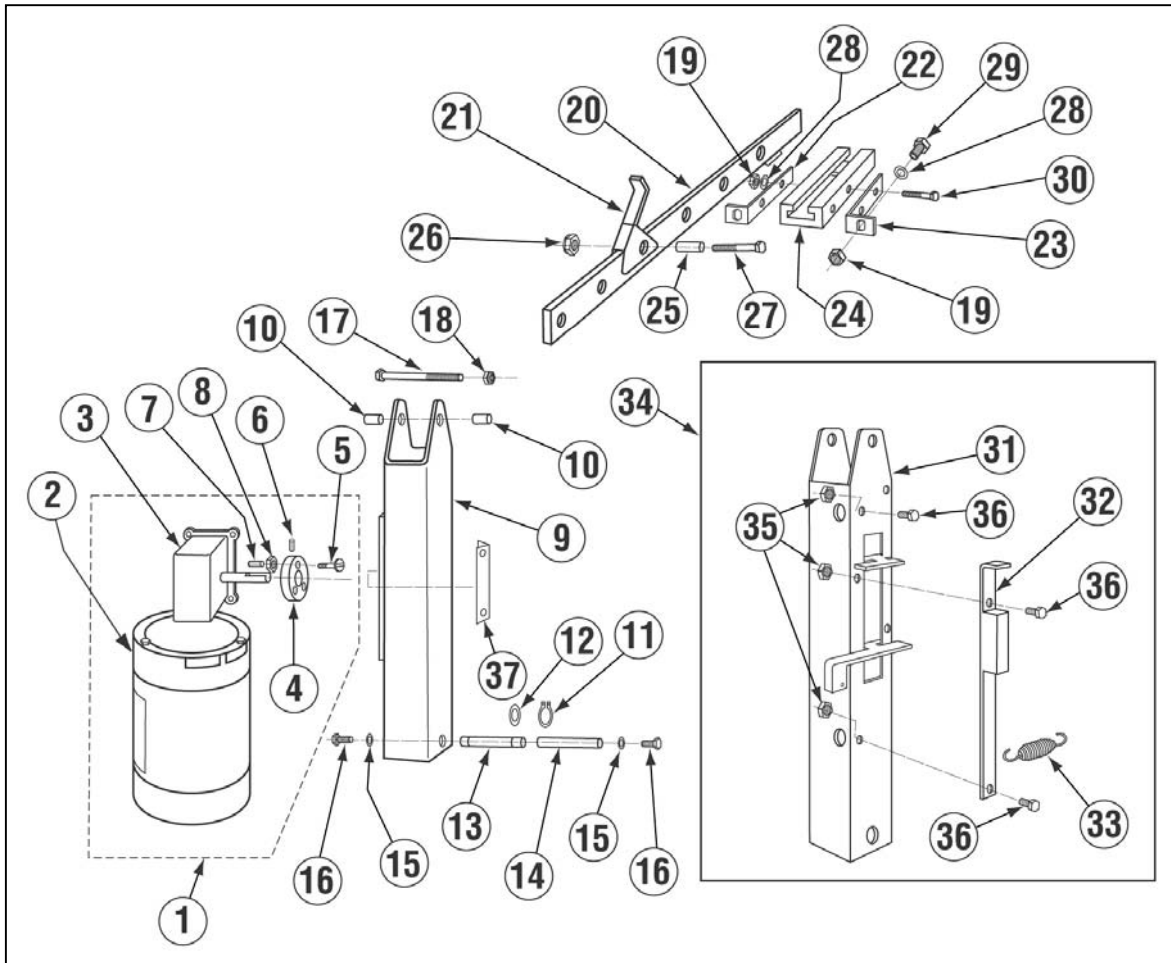


ITEM NO.	NO. REQ'D	P/N	DESCRIPTION
1	6	13305.06	Spray Arm End Cap
2	2	13327.06	Socket Bracket, Double
3	2	13327.26	Socket Bracket, Single
4	6	13303.06	Spay Arm
5	6	04306.10	Square Manifold Gasket
6	2	13310.00	1/2" Cap, Brass
7	2	13304.30	Final Rinse Spray Arm*
7A	8	13304.56	Final Rinse Spray Jets, SS
8	2	13618.00	1/2" Coupling
9	4	00721.20	1/2" Jamb Nut, Brass
10	3	13629.00	1/2" Close Nipple, SS
11	1	13630.00	1/2" F x F x F Tee, SS

*Includes Item 7A

ITEM NO.	NO. REQ'D	P/N	DESCRIPTION
12	1	13307.00	Final Rinse Tube, 23-1/2"
13	1	13628.00	1/2" 90° Elbow, F x F, SS
14	1	13301.26	Wash Manifold
15	1	13301.06	Pre-wash Manifold
16	2	00213.00	1" Ford Adapter, MIP x PJ Tube**
16A	2	00225.00	1" Compression Gasket
17	32	13305.40	Shoulder Bolt
18	64	00924.00	1/4" SS Washer
19	32	00912.00	1/4-20 Nylon Lock Nut
20	1	13304.53	Long Support Bracket
21	1	13669.60	Mixing Chamber, 1/2" SS
22	2	03232.00	1/8 Maze Plug

1.2.9. Rocker Arm Assembly



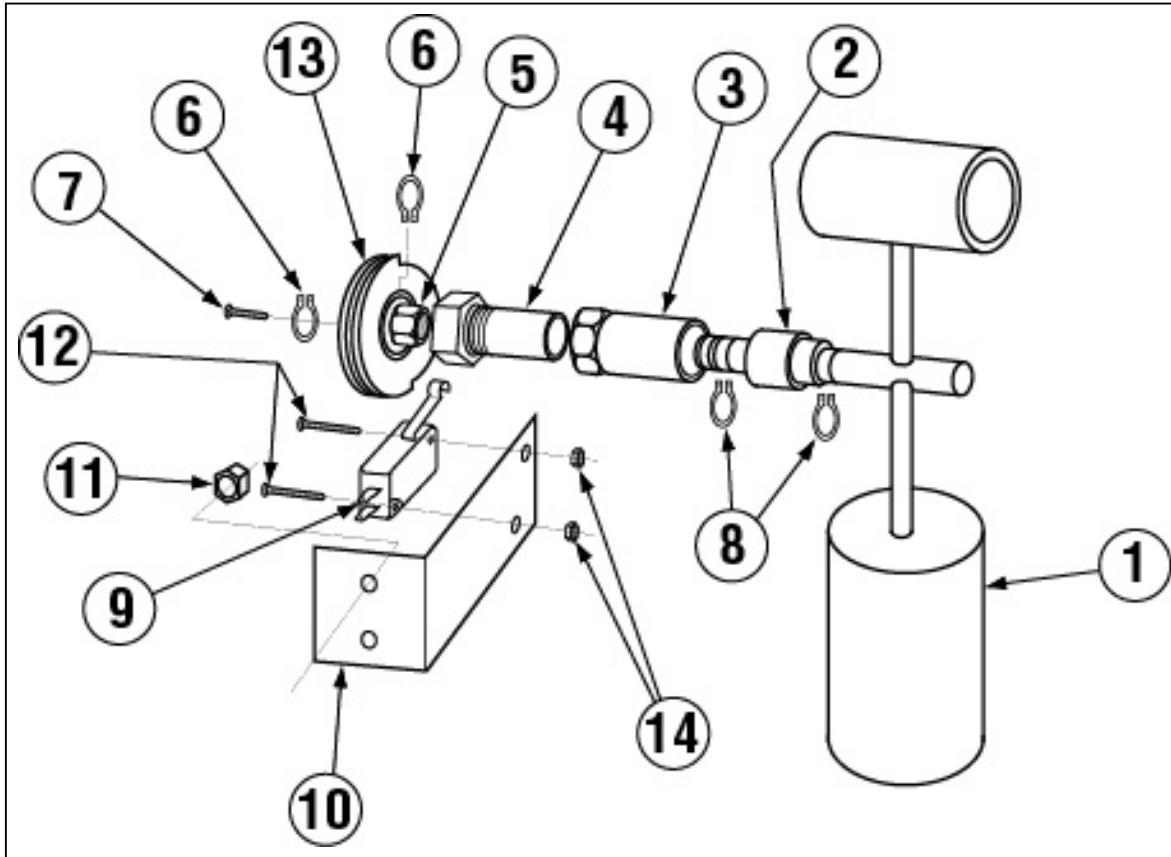
ITEM NO.	NO. REQ'D	P/N	DESCRIPTION
1	1	13570.20	Conveyor Drive Assy, 220V, 60Hz, 3Ph*
2	1	13501.85	Motor, 1/3HP, 220V, 60Hz, 3Ph
3	1	13504.00	Gear Reducer, Right
		13504.12	Gear Reducer, Left
4	1	13505.10	Rocker Arm Cam
5	1	13507.50	Cam Bearing, SS
6	1	13816.00	5/16-18 x 1/2" Socket Set Screw
7	1	13505.20	Keyway Cam
8	1	13829.10	7/16-20 Hex Lock Jam Nut
9	1	13508.06	Rocker Arm
10	2	13513.10	Rocker Arm Spacer
11	2	13509.52	7/8" ID External Lock Ring
12	2	13509.53	1" ID Brass Washer
13	1	13509.51	Rocker Arm Shaft Bearing
14	1	13510.10	Bearing Shaft
15	2	00922.00	1/4" Lock Star Washer
16	2	00914.00	1/4-20 x 3/4" Hex Head Bolt
17	1	13808.00	1/2-13 x 3-1/2"
18	1	13809.00	1/2-13 Nylon Lock Nut

*Includes Items 2 through 8.

ITEM NO.	NO. REQ'D	P/N	DESCRIPTION
19	1	00912.00	1/4-20 Nylon Lock Nut
20	1	13514.85	Conveyor Bar
21	5	13515.00	Conveyor Dog, SS
22	1	13514.82	Left Conveyor Bar Bracket
23	1	13514.84	Right Conveyor Bar Bracket
24	1	13521.50	Conveyor Bar Slide Bearing
25	10	13520.00	Conveyor Dog Bearing
26	5	13806.00	3/8" Nylon Lock Nut
27	5	13818.00	3/8-16 x 1-3/4" Hex Head Bolt
28	2	00924.00	1/4" SS Washer
29	2	00914.10	1/4-20 x 5/8" Hex Head Bolt
30	1	00903.00	1/4-20 x 1-3/4" Hex Head Bolt
31	1	13508.10	Rack Saver Rocker Arm
32	1	13508.26	Rack Saver Clutch Bar
33	1	13508.60	Swivel Hook Spring Assembly
34	1	13508.40	Complete Rack Saver Rocker Arm Assy
35	4	00912.00	1/4-20 Nylon Lock Nut**
36	4	00914.00	1/4-20 x 3/4" Hex Head Bolt**
37	1	13505.06	Cam Guide

**Number required is for Complete Rack Saver Rocker Arm Assembly only.

1.2.10. Trip Switch Assembly – Old Style

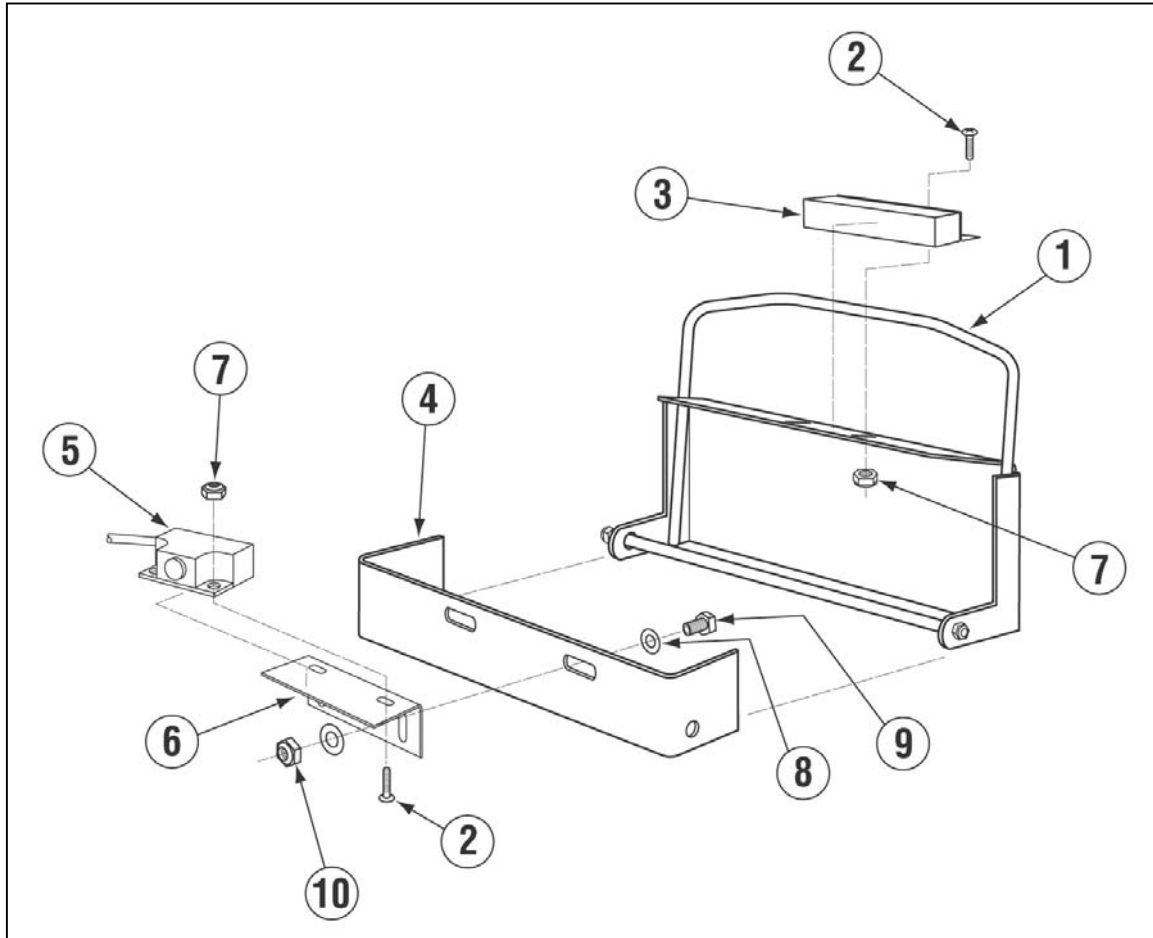


ITEM NO.	NO. REQ'D	P/N	DESCRIPTION
1	1	13408.85	Trip Switch Assembly*
2	1	13424.50	Trip Switch Bearing
3	1	13455.00	Switch Sleeve, Brass
4	1	13435.00	Bearing Nut
5	1	13409.51	Shaft Extender, Threaded
6	2	13411.00	Lock Ring
7	1	13825.00	8-32 x 1" Pan Head Screw

*Includes Items 2, 3, 4 and 8.

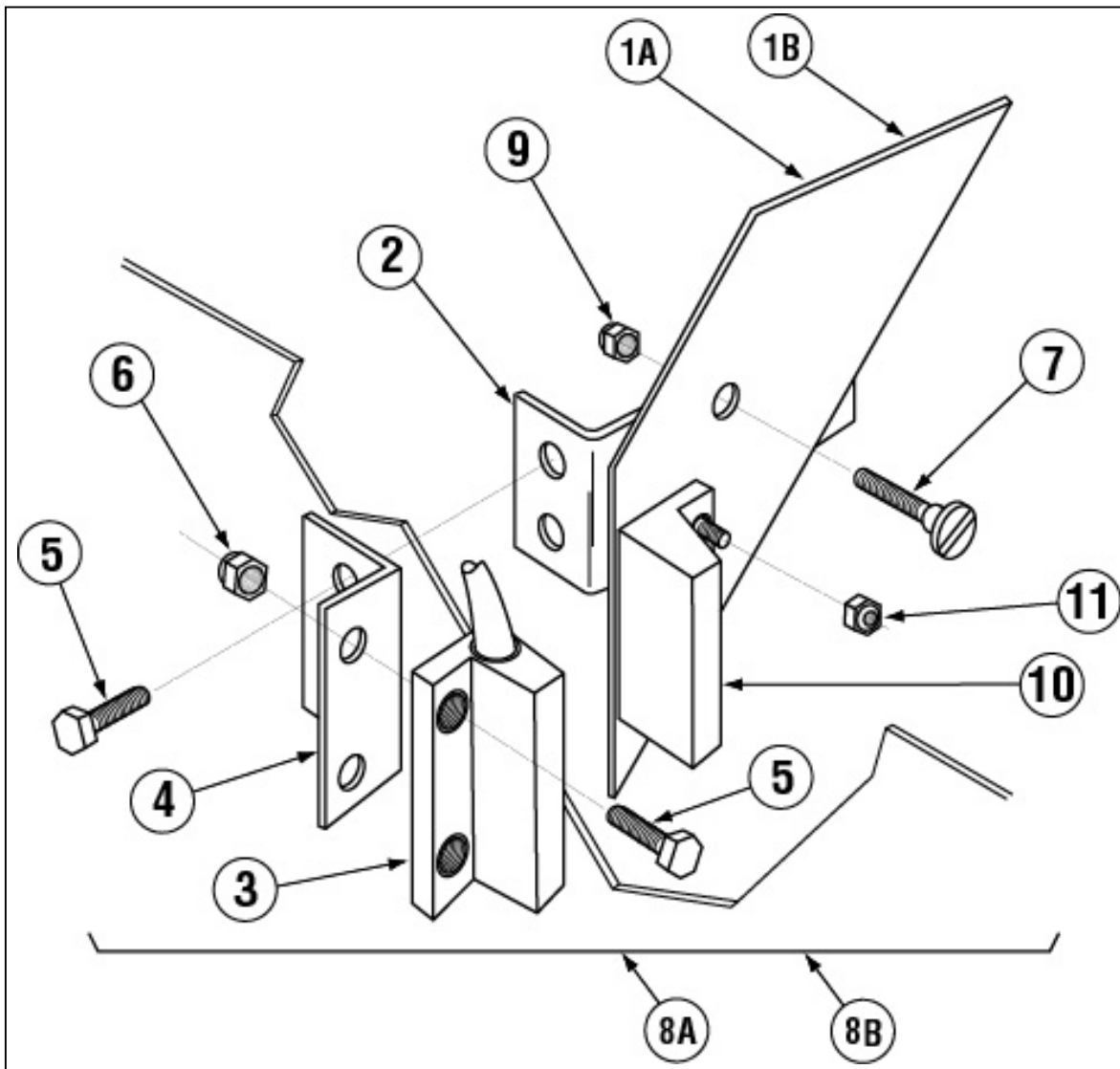
ITEM NO.	NO. REQ'D	P/N	DESCRIPTION
8	2	13411.50	Large Ring
9	1	00411.00	Micro Switch
10	1	13414.82	M-2 Micro Switch Support Bracket
11	2	00965.00	6-32 Nylon Lock Nut
12	3	13826.00	4-40 x 5/8" Pan Head Screw
13	1	01115.15	Adjustable Cam
14	2	13826.50	4-40 Hex Nut

1.2.11. Trip Switch Assembly – New Style



ITEM NO.	NO. REQ'D	P/N	DESCRIPTION
1	1	13408.61	Actuator Arm
2	4	00907.50	6-32 x 3/8" Pan Head Screw
3	1	00557.70	Reed Switch Magnet (SS)
4	1	13408.62	Actuator Bracket
5	1	00557.56	Reed Switch
6	1	13408.63	Reed Switch Bracket
7	4	00965.00	6-32 Nylon Lock Nut
8	4	00924.00	1/4" SS Washer
9	4	00906.00	1/4" -20 x 1/2" Hex Head Bolt
10	4	00912.00	1/4" - 20 Nylon Lock Nut

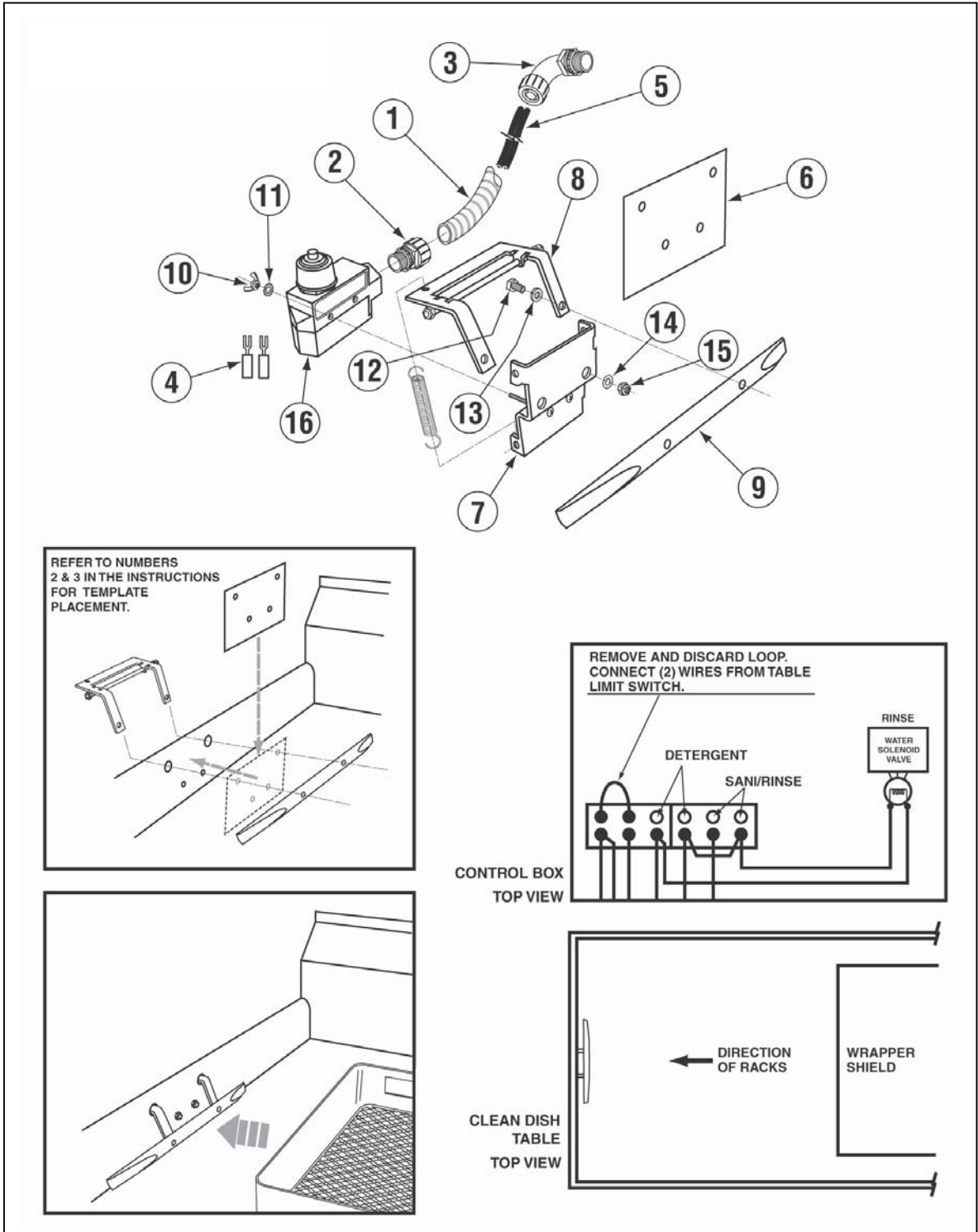
1.2.12. Paddle Switch Assembly



ITEM NO.	NO. REQ'D	P/N	DESCRIPTION
1A	1	13409.86	Paddle with Magnet, R-L
1B	1	13409.89	Paddle with Magnet, L-R
2	1	13409.87	Paddle Support Brackets
3	1	00557.56	Kynar Reed Switch
4	1	13409.30	PS Reed Switch Bracket
5	4	00914.00	1/4-20 x 3/4" Hex Head Bolt
6	4	00912.00	1/4-20 Nylon Lock Nut

ITEM NO.	NO. REQ'D	P/N	DESCRIPTION
7	1	00109.00	Shoulder Bolt
8A	1	13409.85	Paddle Switch Assembly, R-L
8B	1	13409.84	Paddle Switch Assembly, L-R
9	1	03801.00	10-32 Lock Nut
10	1	00557.70	Kynar Reed Switch Magnet
11	2	00927.00	8-32 Nylon Lock Nut

2. Table Limit Switch Instructions (P/N 13469.20)



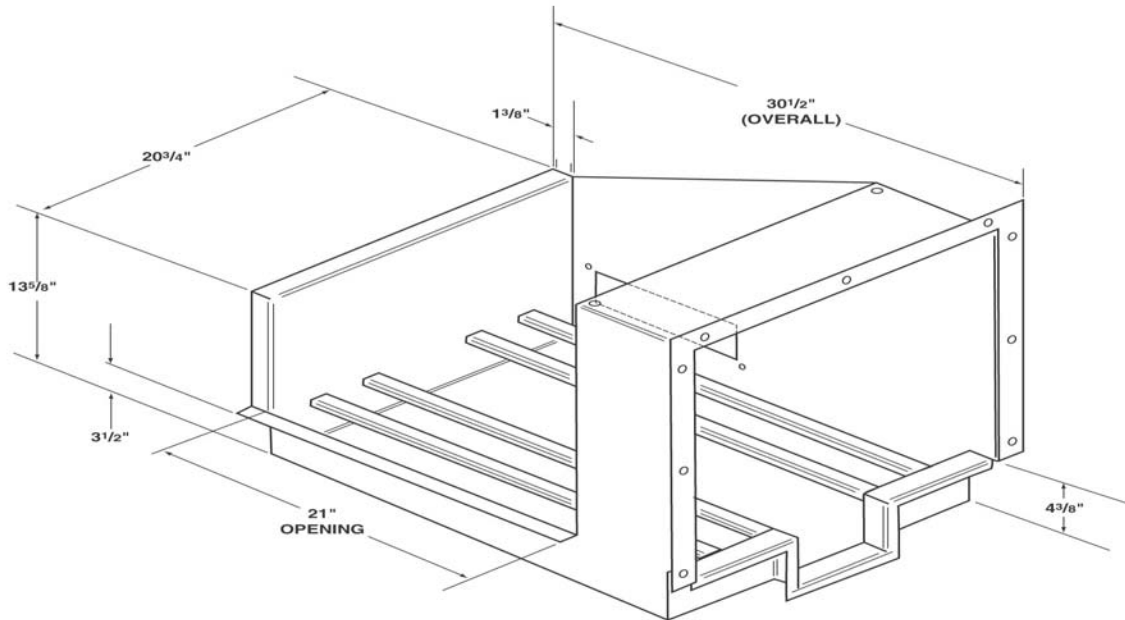
	QTY	P/N	DESCRIPTION
1	12 FT	00400.00	Conduit 3/8 sealtite
2	1	00401.00	ST-3/8 straight connector
3	1	00402.00	ST-90 deg.3/8 connector
4	2	00666.00	Fork tongue connector
5	24 FT	00529.00	Wire 18 gauge black
6	1	13427.60	Template kit
7	1	13427.61	Mounting bracket
8	1	13427.62	Actuator
9	1	13427.63	Bumper
10	2	03817.00	6-32 wing nut
11	2	03814.10	Lock star washer
12	2	00914.10	1/4-20 x 5/8 hexhead bolt
13	2	00968.00	1/4 split lock washer
14	2	00924.00	1/4 ss washer
15	2	00912.00	1/4-20 nylon lock nut
16	1	13427.10	Limit switch

Instructions:

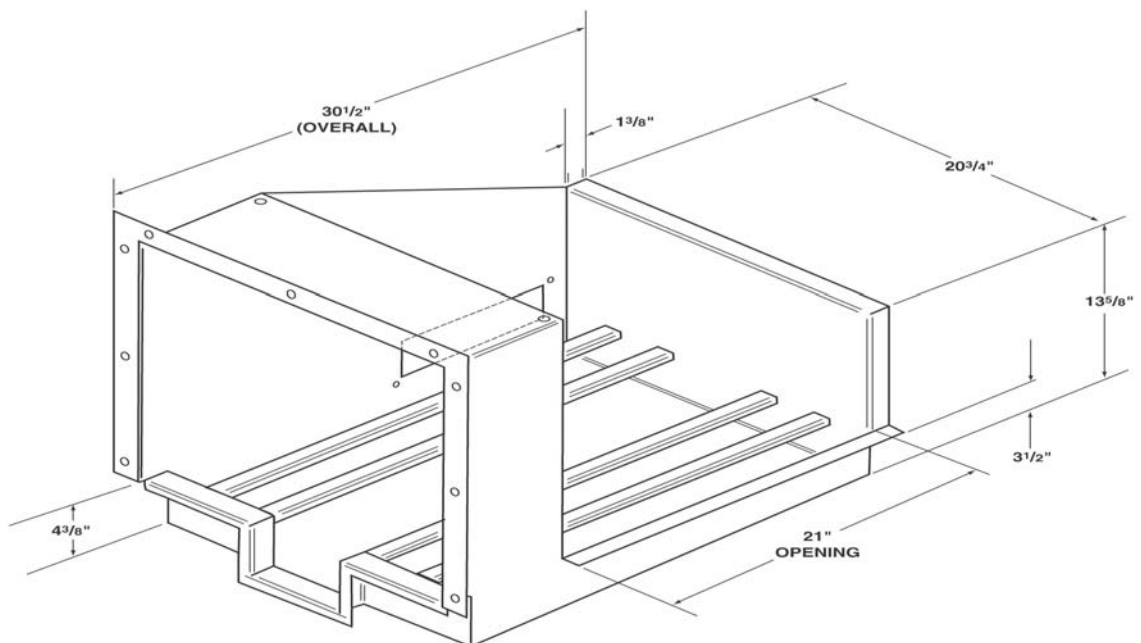
- Determine the approximate centerline of the dish rack as it travels down the clean table.
- Place the template from the template kit (6) with the lower edge resting on the table surface, against the end roll, and centered along the dish rack's line of travel. Mark the positions of the four holes and follow up with a center punch.
- Drill a 1/8" hole through each position .The upper two holes then drilled out to 1/2".
- Fasten the template with two bolts and nuts from the template kit (6).The lower holes then drilled out to 3/8".
- From the outside, place the mounting bracket (7) halfway through the 3/8" lower holes on the table and the hinged actuator (8) through two 1/2" upper holes in the table.
- Secure the bumper (9) by tightening the two bolts (12) with lock washers (13) through the two holes in the actuator.
- Push the mounting bracket all the way into the holes in the table and tighten it with two lock nuts (15) and two washers (14).
- Attach the conduit (1) between the control box and the table limit switch (16). Run two wires (5) through the conduit and conduit connectors (2,3), and attach one to the COMMON terminal on table limit switch, and the other to the normally OPEN terminal, using two fork tongue connectors (4). Secure the table limit switch on the mounting bracket with two wing nuts (10). Remove jumper from the optional table limit switch connection in the control box (see note 1 of the wiring diagram). Then, attach the other ends of the two wires to the terminal block (it does not matter which table limit switch wire you attach to either terminal because it is only a loop).

3. Corner Feed Table (Optional factory installed only)

CORNER FEED TABLE
STANDARD LEFT P/N 13958.82

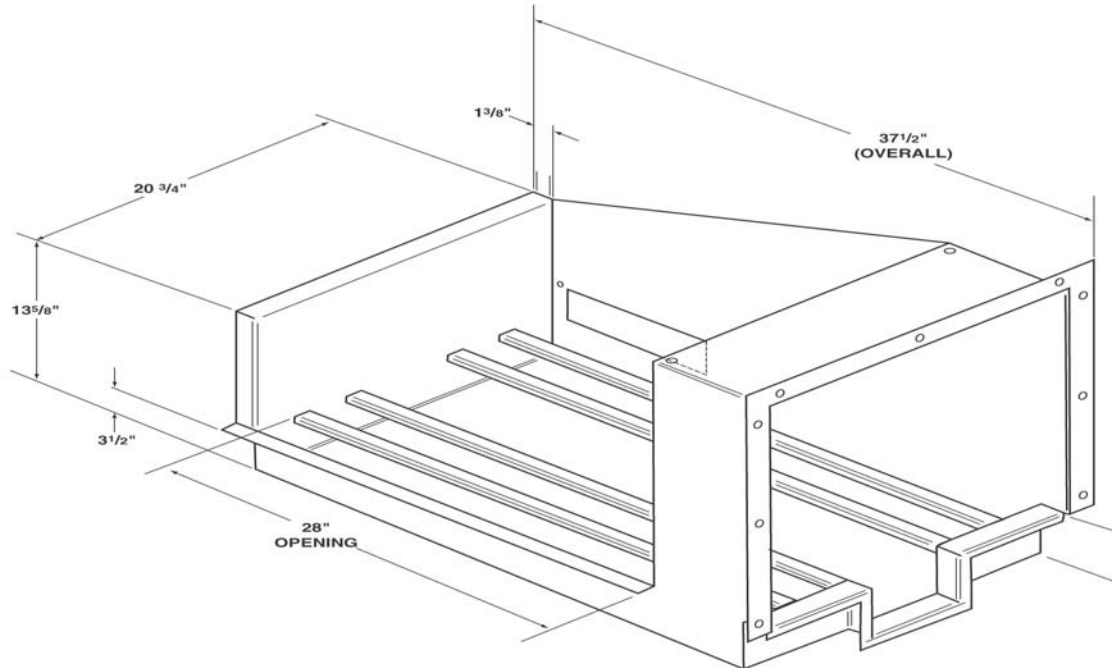


CORNER FEED TABLE
STANDARD RIGHT P/N 13958.84



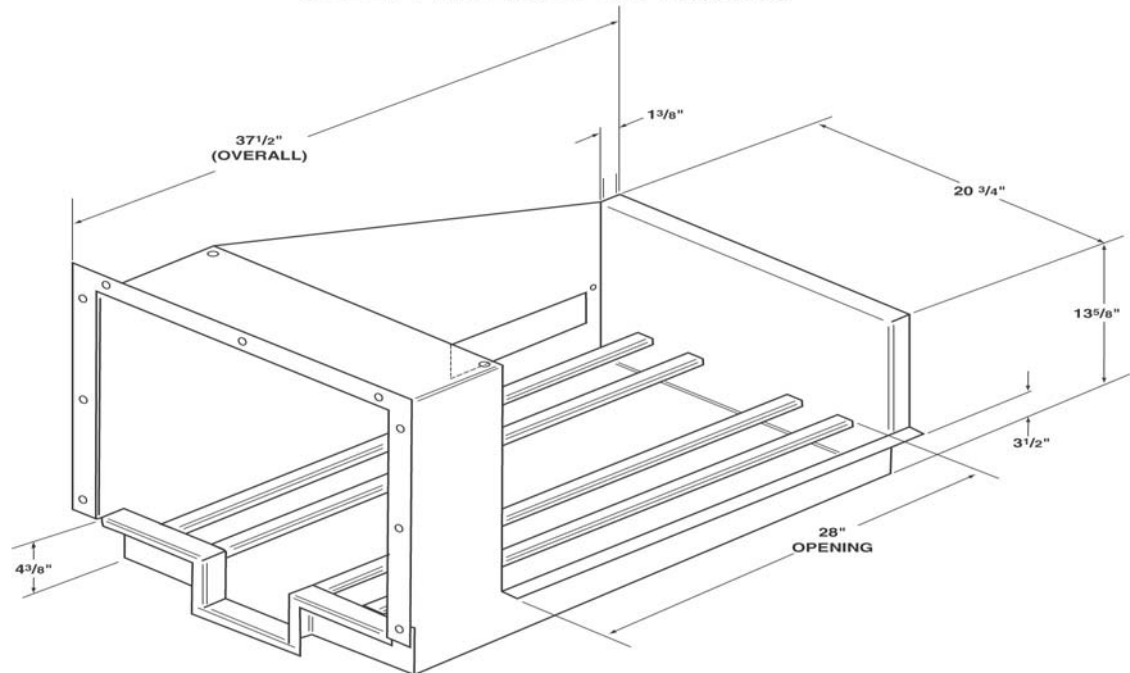
CORNER FEED TABLE

SHEET PAN LEFT P/N 13959.00



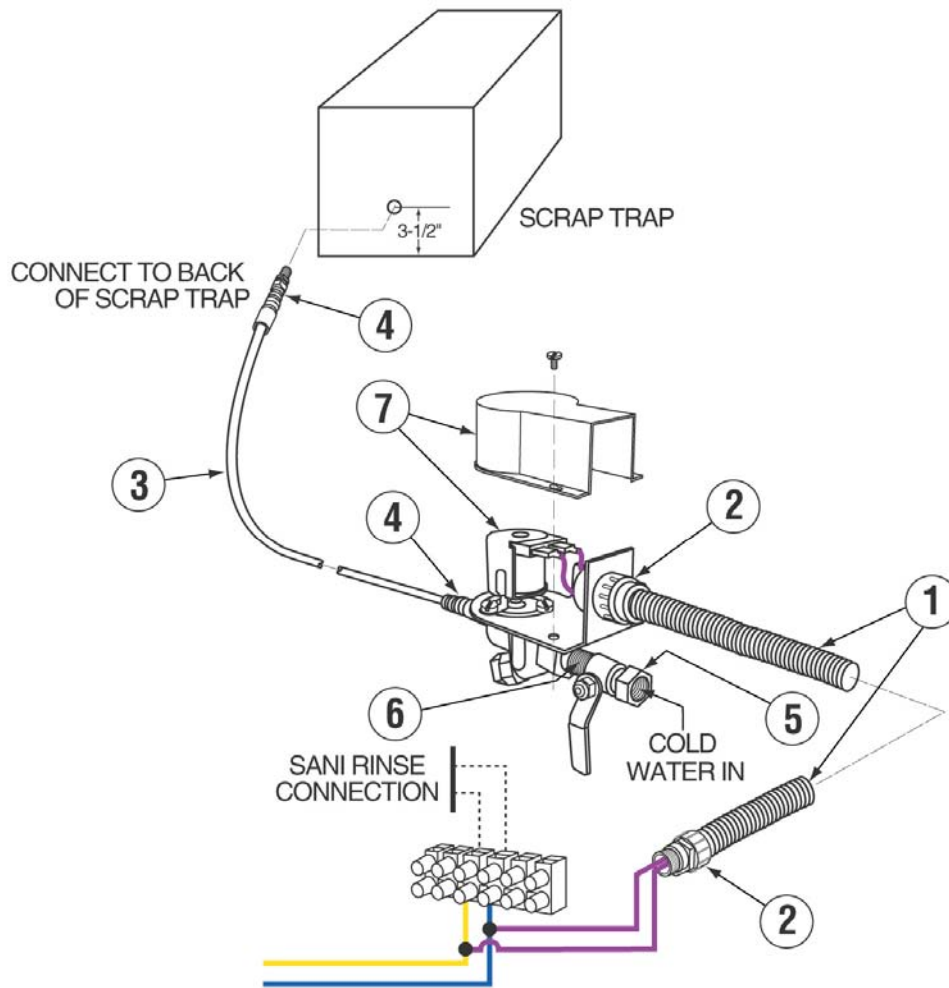
CORNER FEED TABLE

SHEET PAN RIGHT P/N 13960.00



4. Drain Water Tempering Kit (Optional)

Water Tempering Valve Kit P/N 13470.00



ITEM NO.	P/N	NO REQ'D	DESCRIPTION
1.	00400.00	2	CONDUIT 3/8" SEALTITE
2.	00401.00	2	ST-3/8" STRAIGHT CONNECTOR
3.	00425.54	6	CHEMICAL TUBING WHITE
4.	03415.50	2	FLEX-TIGHT FITTING
5.	41010.00	1	1/4" MIP BALL VALVE
6.	41011.00	1	NIPPLE BRASS 1/4" CLOSE
7.	41015.05	1	SOLENOID VALVE 1/4" W/COVER 220V

Free Manuals Download Website

<http://myh66.com>

<http://usermanuals.us>

<http://www.somanuals.com>

<http://www.4manuals.cc>

<http://www.manual-lib.com>

<http://www.404manual.com>

<http://www.luxmanual.com>

<http://aubethermostatmanual.com>

Golf course search by state

<http://golfingnear.com>

Email search by domain

<http://emailbydomain.com>

Auto manuals search

<http://auto.somanuals.com>

TV manuals search

<http://tv.somanuals.com>