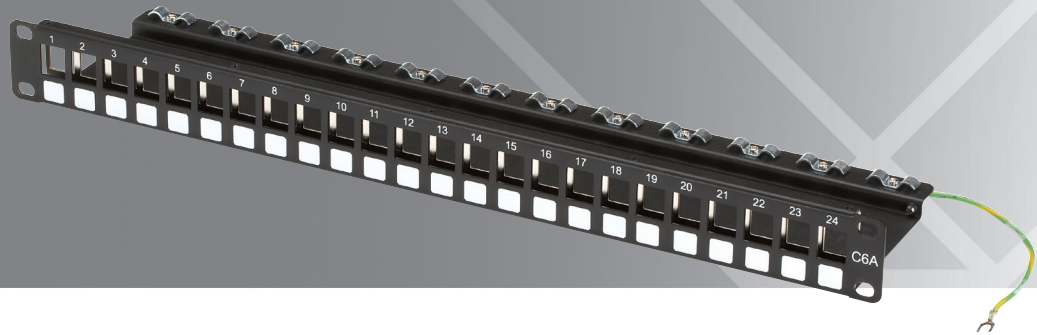


## Category 6A Shielded Blank Patch Panel—24-Port

# Supports up to 24 Category 6A shielded jacks.

Mounts in any standard 19" relay rack or cabinet.



### Specifications

**Number of Ports:** 24

**Size:** 1.75"H (1U) x 19"W x 4.3"D (4.5 x 48.3 x 10.9 cm)

**Weight:** 2.5 lb. (1.1 kg)

### Overview

The Category 6A Shielded Blank Patch Panel (JPMT700A) is used to support up to 24 Category 6A shielded jacks. This panel mounts in any standard 19" relay rack or cabinet, providing patching connectivity for the Category 6A channel solution. The panel has a rear plate to provide horizontal cable support and a 9" grounding wire.

NOTE: This product is designed specifically for the Category 6A solution. Other GigaBase®2, GigaTrue®2, or GigaStation2 fittings may also work in this panel. Contact Black Box Technical Support at 724-746-5500 or [info@blackbox.com](mailto:info@blackbox.com).

### What's Included

Your package should include the following items. If anything is missing or damaged, contact Black Box at 724-746-5500.

- (1) 24-port panel with grounding wire attached
- (4) #12-24 panhead Phillips screws
- (4) #10-32 panhead Phillips screws
- This user's manual

For assembly instructions, turn this page over...

### Customer Support Information

Order toll-free in the U.S.: Call 877-877-BBOX (outside U.S. call 724-746-5500)  
FREE technical support 24 hours a day, 7 days a week: Call 724-746-5500 or fax 724-746-0746  
Mailing address: Black Box Corporation, 1000 Park Drive, Lawrence, PA 15055-1018  
Web site: [www.blackbox.com](http://www.blackbox.com) • E-mail: [info@blackbox.com](mailto:info@blackbox.com)

## Trademarks Used in this Manual

Black Box and the Double Diamond logo, GigaBase2, and GigaTrue2 are registered trademarks of BB Technologies, Inc. Any other trademarks mentioned in this manual are acknowledged to be the property of the trademark owners.

## Assembly Instructions

1. Mount the panels in a standard 19" relay rack using the supplied hardware. See Figure 1.

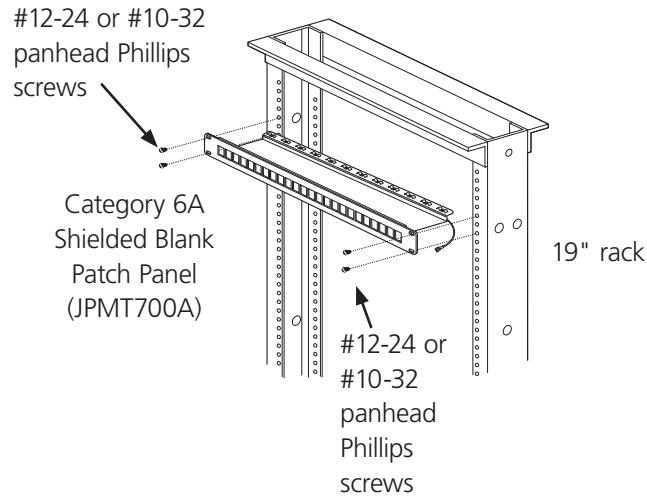


Figure 1. Panel installation.

2. Connect the grounding wire from the patch panel to the relay rack or cabinet. See Figure 2.
3. Terminate the individual jacks using the instruction sheets supplied with those products.
4. Insert the terminated jacks into the unloaded patch panel. See Figure 2. The locking tab goes in the up position.

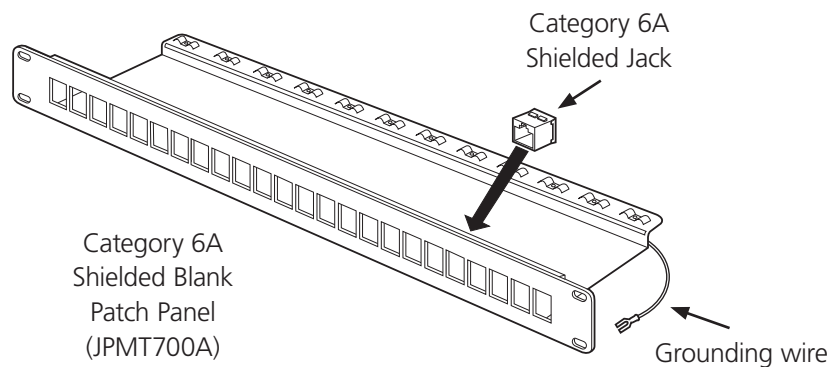


Figure 2. Installing the jacks into the patch panel.



© Copyright 2010. All rights reserved.

FREE, live, 24/7 Tech Support is just 20 seconds away.  
724-746-5500 | blackbox.com

## Free Manuals Download Website

<http://myh66.com>

<http://usermanuals.us>

<http://www.somanuals.com>

<http://www.4manuals.cc>

<http://www.manual-lib.com>

<http://www.404manual.com>

<http://www.luxmanual.com>

<http://aubethermostatmanual.com>

Golf course search by state

<http://golfingnear.com>

Email search by domain

<http://emailbydomain.com>

Auto manuals search

<http://auto.somanuals.com>

TV manuals search

<http://tv.somanuals.com>