



TRADEMARKS USED IN THIS MANUAL

BLACK BOX and the Double Diamond logo are registered trademarks of BB Technologies, Inc.

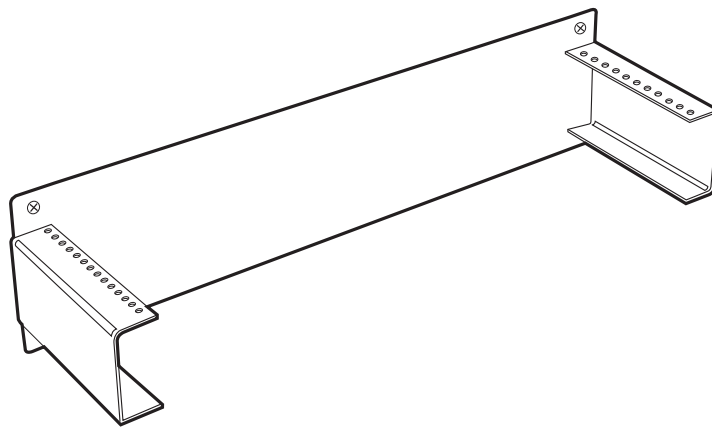
Any other trademarks mentioned in this manual are acknowledged to be the property of the trademark owners.

© Copyright 2008. Black Box Corporation. All rights reserved.

1000 Park Drive • Lawrence, PA 15055-1018 • 724-746-5500 • Fax 724-746-0746



Flushmount Wall Bracket



Features

- 14-gauge thick steel construction.
- Mounting holes conform to EIA-310 standard for 19-inch wide (48.3-cm) equipment.
- Enables equipment to be mounted flush against the wall or under a desk.
- Use in installations where space is limited.
- Durable, black, smooth, semi-gloss, powder-coat finish.

Specifications

Size: RMT048: 5.5"H x 20.3"W x 5.6" (3U)D (14 x 51.5 x 14.3 cm);
RMT052: 5.5"H x 20.3"W x 10.9" (6U)D (14 x 51.5 x 27.6 cm)

Weight: RMT048: 3.6 lb. (1.6 kg);
RMT052: 4.9 lb. (2.2 kg)

**CUSTOMER
SUPPORT
INFORMATION**

Order **toll-free** in the U.S.: Call **877-877-BBOX** (outside U.S. call **724-746-5500**)
FREE technical support 24 hours a day, 7 days a week: Call **724-746-5500** or fax **724-746-0746**
Mailing address: **Black Box Corporation**, 1000 Park Drive, Lawrence, PA 15055-1018
Web site: www.blackbox.com • E-mail: info@blackbox.com

Free Manuals Download Website

<http://myh66.com>

<http://usermanuals.us>

<http://www.somanuals.com>

<http://www.4manuals.cc>

<http://www.manual-lib.com>

<http://www.404manual.com>

<http://www.luxmanual.com>

<http://aubethermostatmanual.com>

Golf course search by state

<http://golfingnear.com>

Email search by domain

<http://emailbydomain.com>

Auto manuals search

<http://auto.somanuals.com>

TV manuals search

<http://tv.somanuals.com>