



Single/Dual Rackmount Kits

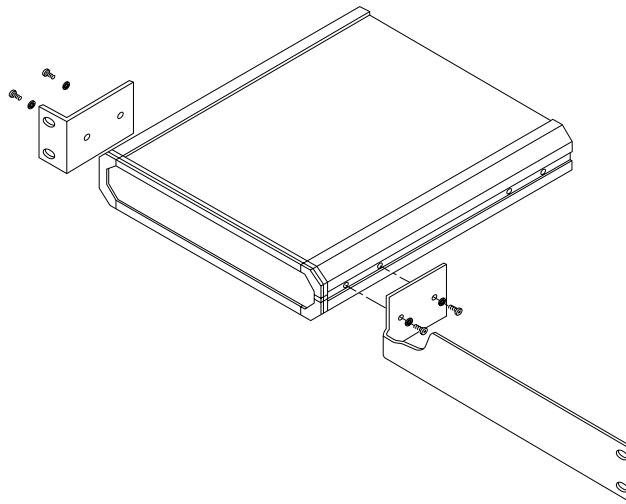
Description

Use these Rackmount Kits (part numbers RM516 through RM523) to mount any of several models of our converters and line drivers in 19" racks. They can be used to rackmount either a single unit or two units side by side. For help deciding which Kit is right for a particular product, call Technical Support at 724-746-5500.

The examples shown in this sheet for single- and dual-unit installations feature the RM523 Kit, which includes one long and two short brackets, two side rails, and some screws and flatwashers. The same principles will apply to all of the Kits.

Single-Unit Installation

The components that you'll use for single-unit installation include one short bracket and one long bracket. To attach each bracket to the unit's case (the short bracket to the left side, the long one to the right side), use two of the included screws and flatwashers, as shown below. Insert the screws in the two front holes on the unit's sides. (Nuts are already in place, mounted on the side walls inside the unit.)



Attaching the RM523 for single-unit installation.

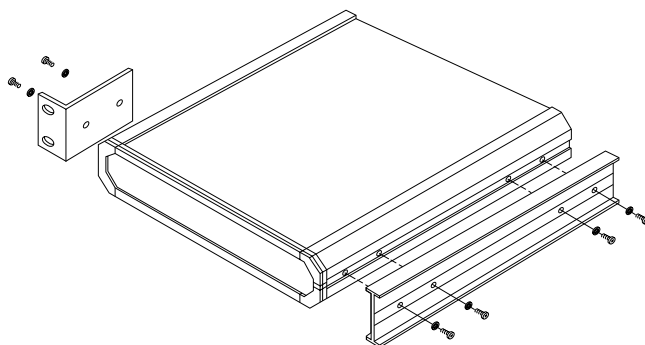
After you attach the brackets, the unit is ready for mounting. Fasten the brackets to the side rails of your 19" rack with four screws, cage nuts, etc. (These aren't included in the Kit.)

SINGLE/DUAL RACKMOUNT KITS

Dual-Unit Installation

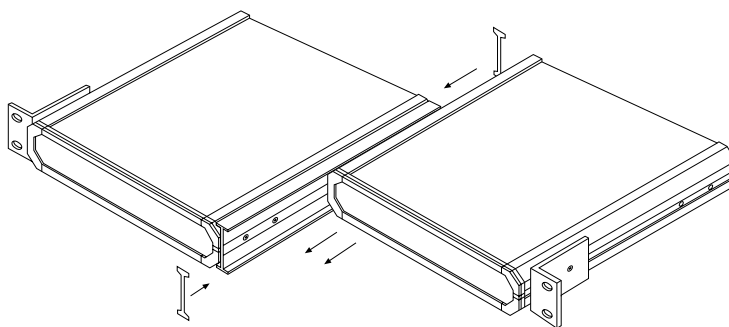
The components that you'll use for dual-unit installation are the two short brackets and two side rails. Take these steps, referring to the illustrations below:

1. Attach a bracket to each of the units' cases (one bracket to one unit's left side, one to the other unit's right side) using two of the included screws and flatwashers. Insert the screws in the two front holes on the units' sides. (Nuts are already in place, mounted on the side walls inside the unit.)
2. Attach a rail to each of the unit's cases (one rail to one unit's right side, the other rail to the other unit's left side) by inserting four of the included screws and flatwashers in the case's four side holes. **These rails must be attached "oppositely," so that the narrow flange of one rail faces the wide flange of the other.**



Attaching the RM523's short bracket and side rail.

3. Fasten the two units together by sliding one of the rails into the other.
4. Cover the ends of the joined rails with the included plastic caps in order to protect the rail ends and keep the rails from sliding.




Fastening the two units together.

After you finish this assembly, the units are ready for mounting. Fasten the brackets to the side rails of your 19" rack with four screws, cage nuts, etc. (These aren't included in the Kit.)

© Copyright 2000. Black Box Corporation. All rights reserved.

CUSTOMER SUPPORT INFORMATION

Order toll-free in the U.S.: Call **877-877-BBOX** (outside U.S. call **724-746-5500**)
FREE technical support 24 hours a day, 7 days a week: Call **724-746-5500** or fax **724-746-0746**
Mailing address: **Black Box Corporation**, 1000 Park Drive, Lawrence, PA 15055-1018
Web site: **www.blackbox.com** • E-mail: **info@blackbox.com**

BLACK BOX and the  logo are registered trademarks of Black Box Corporation. Any other trademarks in this document are the property of their owners.

Free Manuals Download Website

<http://myh66.com>

<http://usermanuals.us>

<http://www.somanuals.com>

<http://www.4manuals.cc>

<http://www.manual-lib.com>

<http://www.404manual.com>

<http://www.luxmanual.com>

<http://aubethermostatmanual.com>

Golf course search by state

<http://golfingnear.com>

Email search by domain

<http://emailbydomain.com>

Auto manuals search

<http://auto.somanuals.com>

TV manuals search

<http://tv.somanuals.com>