

# Datio®

## BISTRO

---

Small Grill Size, **BIG** Grill Features™

## assembly guide

Model Number:

11601558  
11601558-A1  
11601579



Propane cylinder  
sold separately.

Estimated time required for assembly: 1 Hour



# PROPANE

(English)

42804394 • 06/02/2010

**CAUTION:** For your safety, before operating, Read Product Guide & Outdoor Cooking Guide provided with this grill.

**\*SAFETY First.....**Grill components may have sharp edges. Be careful when handling grill parts during assembly. We suggest that you wear a sturdy pair of leather gloves while handling the grill parts.

### **BEFORE You begin assembly of your grill....**

1. Carefully remove all components from the carton.
2. Familiarize yourself with the components and hardware used for assembly.
3. Please note that hardware used for assembly may not be shown actual size..
4. After removing components from the carton, split the carton open and use it as a soft, scratch-free work pad to assemble your grill.

### **BEFORE You Grill....**

1. Read Product Guide & Outdoor Cooking Guide
2. Position Grill Safely away from walls & structures (Ref. Product Guide)
3. Pre- Heat Grill—15 minutes on **(5)** ,**High** to season grill.

### **TIPS & Tricks.....**

First - Go to [charbroil.com](http://charbroil.com) to register your grill.-

Take a moment to record the serial number here: \_\_\_\_\_

When grilling, preheat your grill for 10 to 15 minutes with the lid down.

After grilling—the Bistro can be turned on **(5)** ,**High** for cleaning and burning off the grates. - Use a wire brush to brush off the grates.

A light coat of oil on the grate will help prevent foods like fish and vegetables from sticking to the grate.

### **NOTE....**

Installer: Leave instructions with the grill.

Consumer: Retain instructions for reference.  
Grill must be installed in accordance with local codes.....

Designed for outdoor use only..

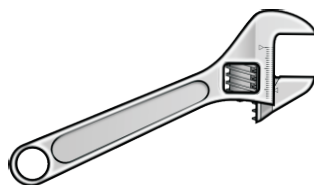
Read all instructions before operating...

### **TOOLS REQUIRED FOR ASSEMBLY**

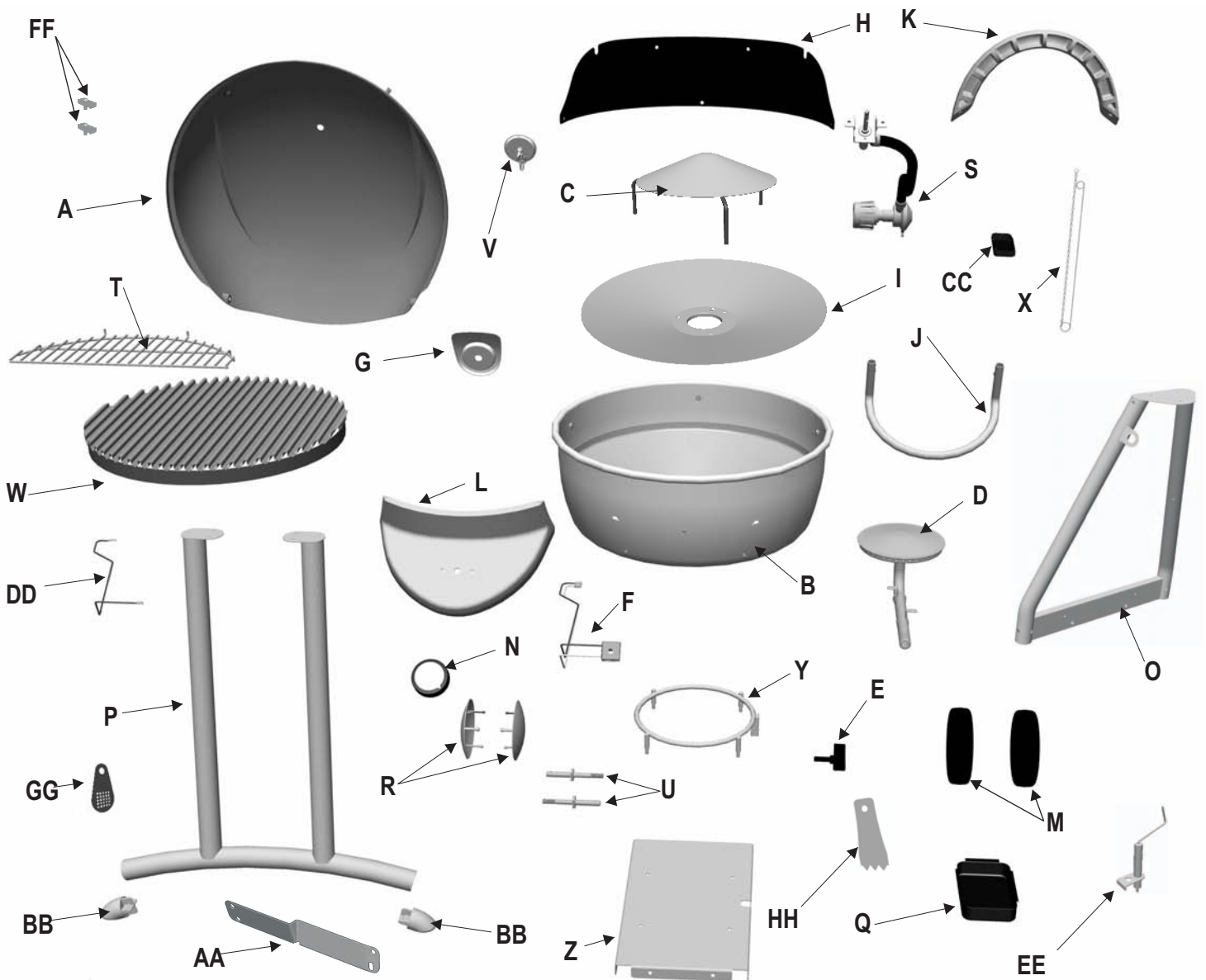
(Not Supplied)



Phillips Head  
Screwdriver



Small Adjustable  
Wrench

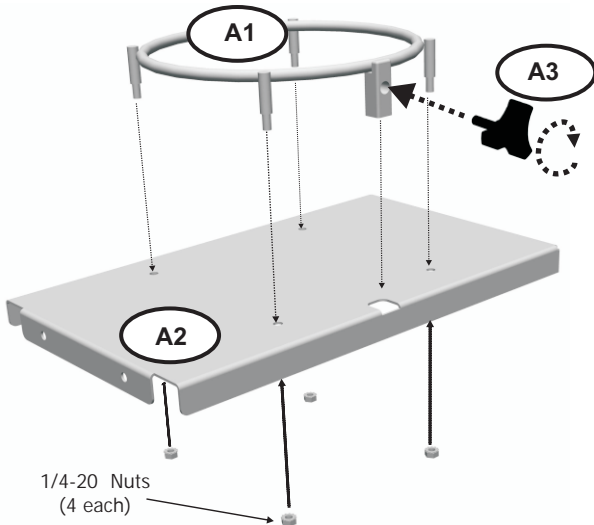
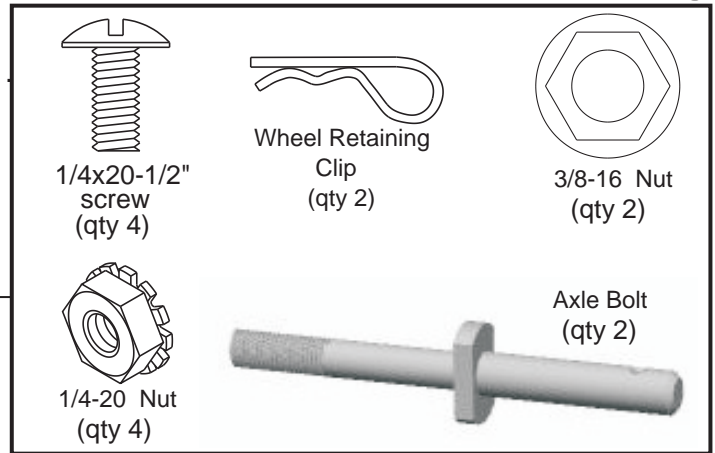


Key	Qty	Description	Key	Qty	Description	Key	Qty	Description
A	1	Grill Lid	O	1	Rear Leg Set	CC	1	Ignition Module
B	1	Lower Body	P	1	Front Leg Set	DD	1	Electrode Wire
C	1	Heat Tent	Q	1	Grease Tray	EE	1	Ignitor Electrode
D	1	Burner	R	2	Hubcap	FF	2	Lid Bumper
E	1	Tank Retainer Bolt	S	1	Hose, Valve, Regulator Assembly	GG	1	Match Light Hole Cover
F	1	Ignition Harness	T	1	Warming Rack	HH	1	Grate Cleaning Tool
G	1	Bezel	U	2	Axle	...	1	Hardware Pack
H	1	Wind Shield	V	1	Heat Indicator	...	1	Assembly Manual, English
I	1	Inner Reflector	W	1	Cooking Grate	...	1	Assembly Manual, Spanish, Optional
J	1	Towel Bar	X	1	Match Holder	...	1	Assembly Manual, French, Optional
K	1	Lid Handle	Y	1	Tank Retainer Ring	...	1	Grilling Guide
L	1	Control Panel	Z	1	Cart Base	...	1	Product Guide, English
M	2	Wheel	AA	1	Cart Bracket	...	1	Product Guide, Spanish, Optional
N	1	Control Knob	BB	2	Leg Cap	...	1	Product Guide, French, Optional

NOTE: Some grill parts shown in the assembly steps may differ slightly in appearance from those on your particular model. However, the method of assembly remains the same.



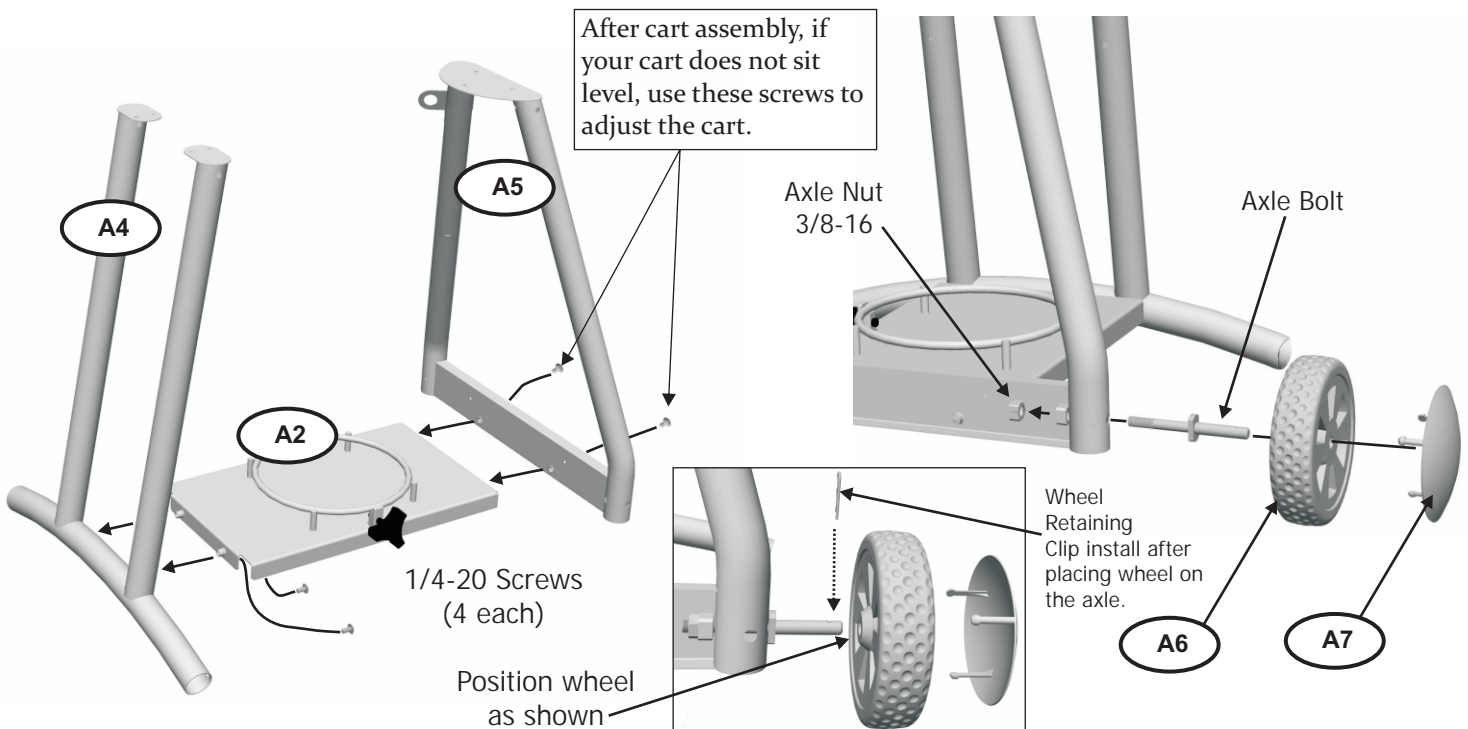
Part	Qty
A1- Tank Retainer Ring	1
A2- Cart Base	1
A3- Tank Retainer Bolt	1
A4- Front Leg Set	1
A5- Rear Leg Set	1
A6- Wheels	2
A7- Hubcap	2



**Step 1**

Assemble **Tank Retainer Ring (A1)** to the **Cart Base (A2)** by aligning studs into corresponding holes. Secure with 4 each, **1/4-20 nuts** using a small adjustable wrench, not supplied. Thread the **Tank Retainer Bolt (A3)** into the **Tank Retainer Ring(A1)**

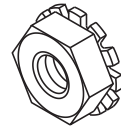
**Step 2** Attach **Front Leg Set (A4)** to the **Cart Base (A2)** using 2 **1/4-20 screws**. Attach **Rear Leg Set (A5)** to the **Cart Base (A2)** in the same manner, using 2 **1/4-20 screws**. Attach 2 **Axle Bolts** to the **Rear Leg Set (A5)**, thread a **3/8-16 nut** as shown and tighten securely using a small adjustable wrench. Slide a **Wheel (A6)** over an **Axle Bolt** and secure using a **Wheel Retaining Clip**. Repeat for other side. Position and Snap into place the **Wheel Hubcaps (A7)**.



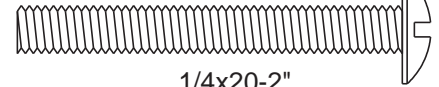


**Part**  
**A8**– Cart Bracket  
**A9**– Leg End Cap

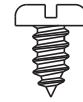
**Qty**  
 1  
 2



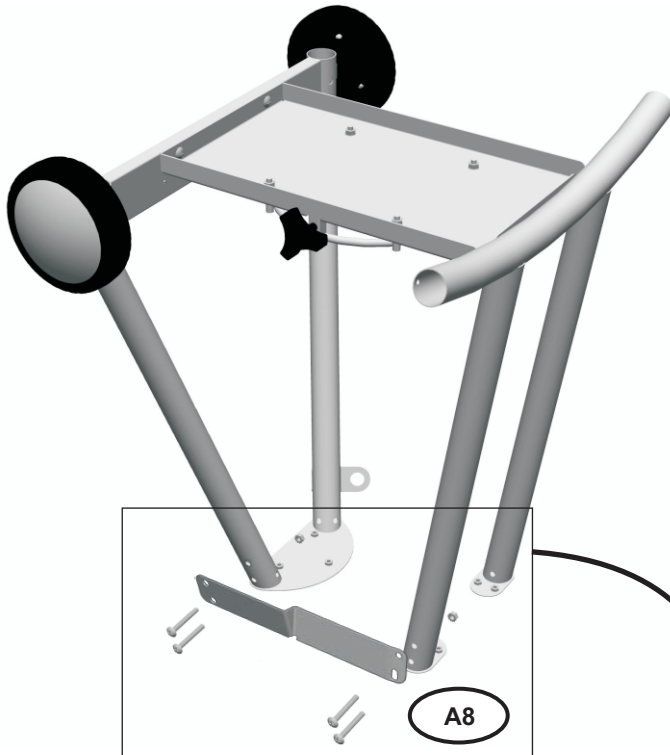
1/4-20 Nut  
 (qty 4)



1/4x20-2"  
 screw  
 (qty 4)



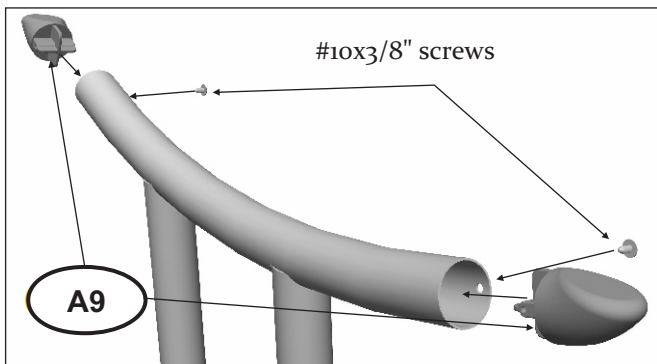
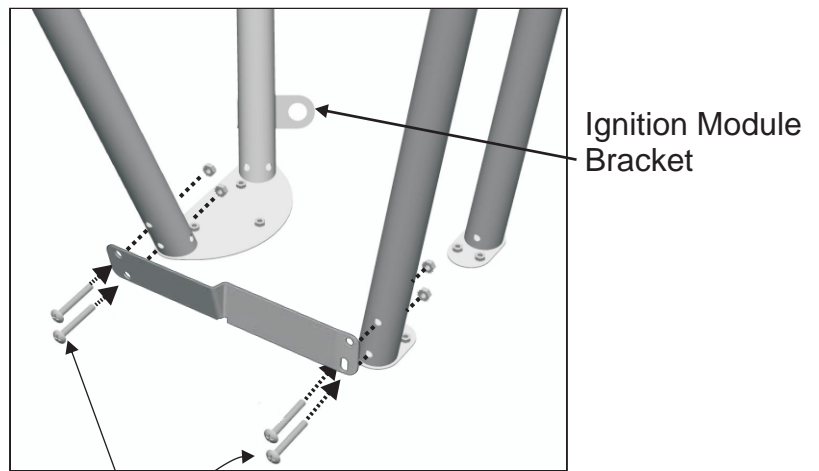
#10x3/8"  
 screw  
 (qty 2)



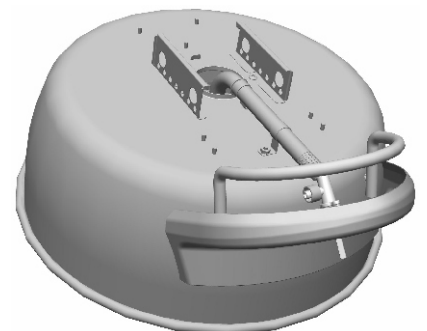
**Step 3** - Carefully turn the **Cart Assembly** over and allow it to rest on the tops of the leg assemblies. Assemble the **Cart Bracket (A8)** to the **Cart Assembly** by inserting 4 each **1/4-20x2"** screws into corresponding holes as shown. Allow the **Cart Bracket** to rest on the floor, this will help with alignment. Secure with 4 each, **1/4-20 nuts** using a small adjustable wrench, not supplied. **FINGER TIGHTEN ONLY AT THIS TIME.** The bracket will be tightened in step B2.

Be sure to install **Cart Bracket (A8)** on the side opposite of the ignition module bracket. Once complete -leave the cart in the upside down position.

Lastly, insert the **Leg End Caps (A9)** into the front legs and secure with 1 each **#10x3/8"** screw.



1/4-20x2"  
 screws

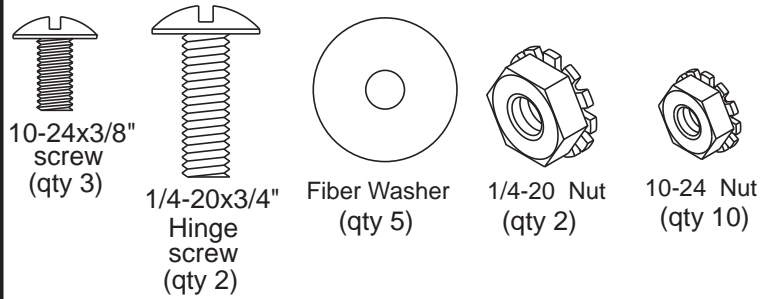


Place the Lower Body on the carton pad upside down in preparation for the next step.

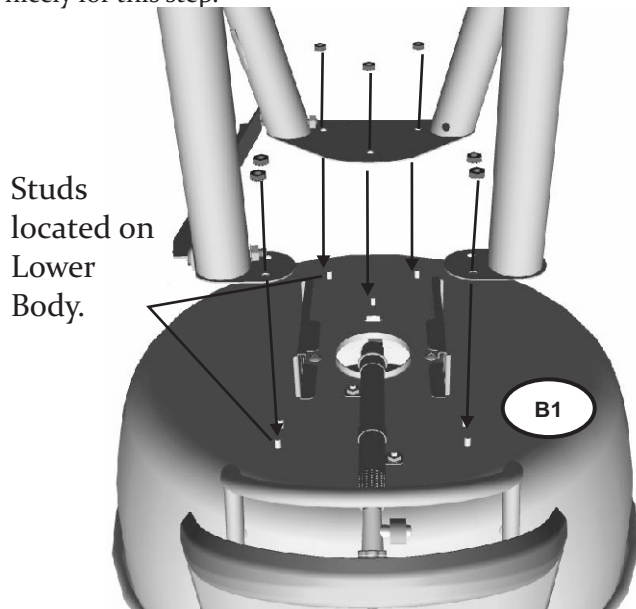


# B

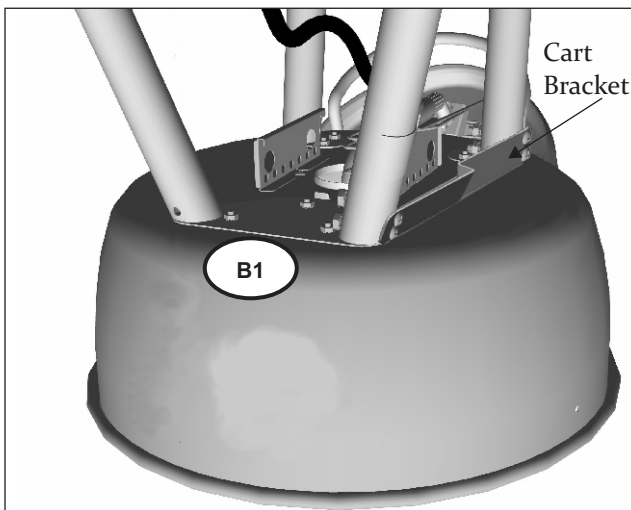
Part	Qty.
<b>B1</b> – Lower Body	1
<b>B2</b> – Wind Shield	1
<b>B3</b> – Grill Lid	1



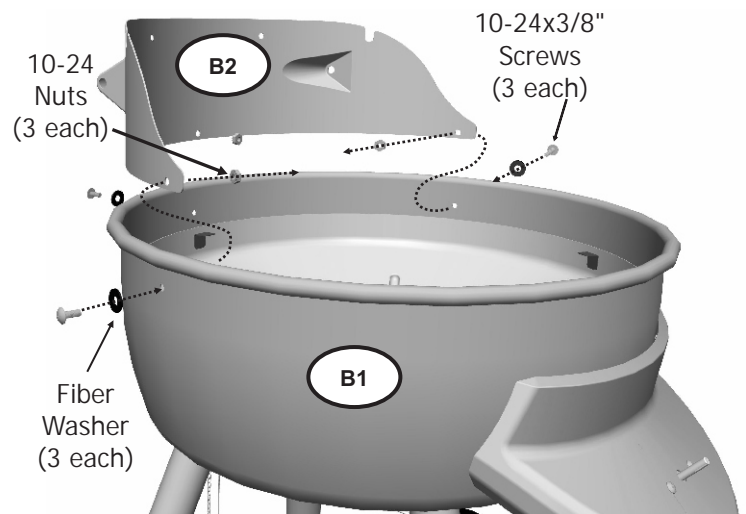
**Step 1** - Attach the **Lower Body (B1)** to the **Cart Assembly** by aligning the studs on the bottom of the grill with the corresponding holes in the tops of the leg assemblies. Secure with 7 each **10-24 nuts**. A Nut Driver (not supplied) will work nicely for this step.



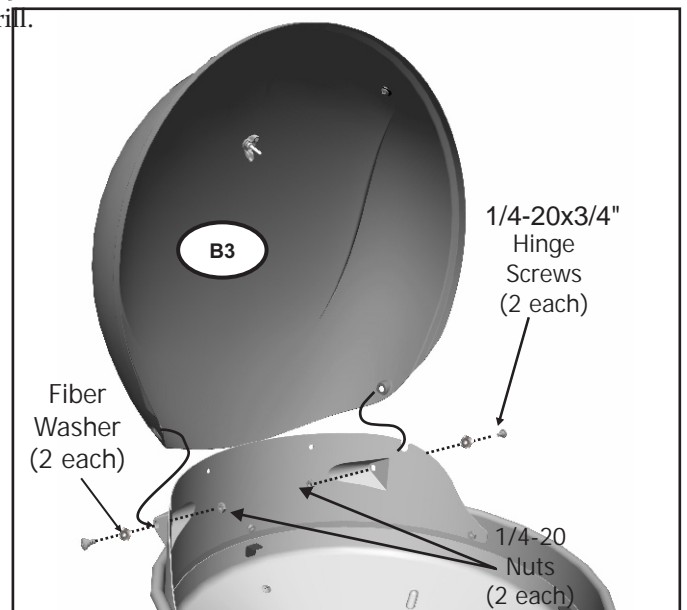
**Step 2** - With the legs assembled to the **Lower Body**, tighten the 4 screws holding the **Cart Bracket** in place. Once complete, turn the grill over to the upright position.



**Step 3** - Attach the **Wind Shield (B2)** to the **Lower Body (B1)** by aligning the holes in the panels with the corresponding holes in the **Lower Body**. Secure with 3 **10-24 nuts**, 3 **10-24x3/8 inch Screws**, and **fiber washers**. The **Wind Shield** will rest inside the **Lower Body**.



**Step 4** - Attach the **Grill Lid (B3)** by aligning the hinge holes in the lid to the matching holes in the **Wind Shield (B2)**. Insert 2 **Hinge Screws** into the holes and secure with 2 **1/4-20 nuts** and two **Fiber washers** from the inside of the grill.

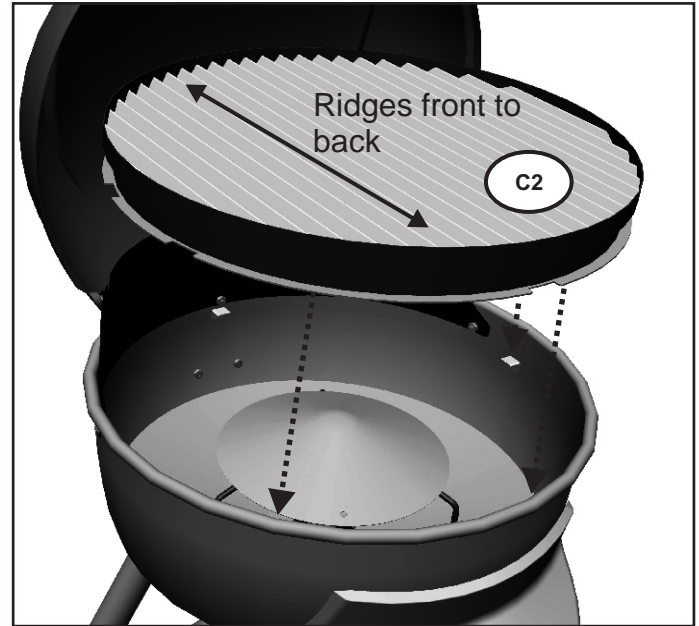
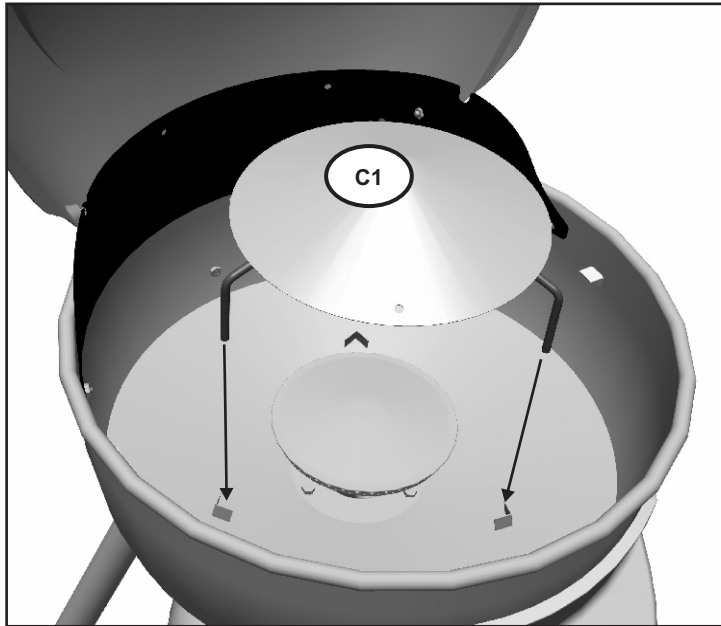


# C

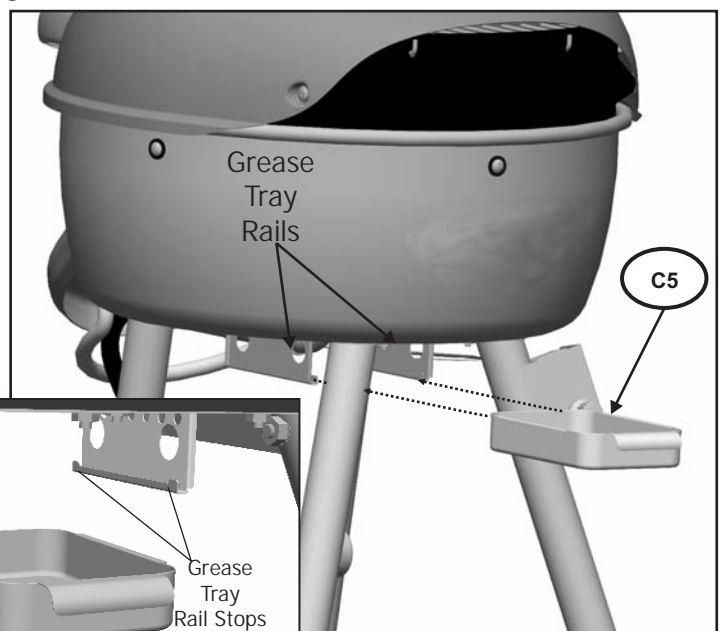
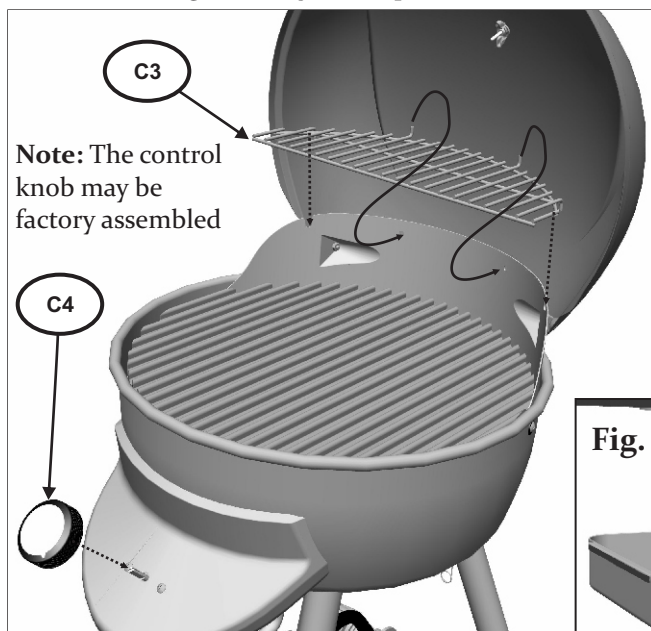
Part	Qty.
C1 – Heat Tent	1
C2 – Cooking Grate	1
C3 – Warming Rack	1
C4 – Control Knob	1
C5 – Grease tray	1

**NOTE:** The **Cooking Grate** may have sharp edges. Be very careful when handling the **Cooking Grate**. You should wear gloves when handling the **Cooking Grate**. The cooking grate ridges should run from front to back of the grill as shown below. Be sure that the cooking grate rests squarely on the brackets spaced around the lower body. This will make for easier grate cleaning as well.

**Step 1** - With the **Grill Lid** open, place the legs of the **Heat Tent (C1)** into the matching impressions in the **Lower Body**. Next, Place the **Cooking Grate (C2)** into the **Lower Body**. The cooking grate ridges should run from front to back of the grill as shown below. Be sure that the cooking grate rests squarely on the three brackets spaced around the **Lower Body**.

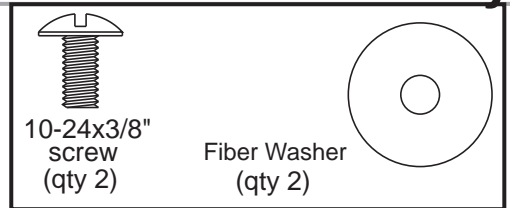


**Step 2** - Place the **Warming Rack (C3)** into position by first hooking the center pins into the windshield, then rotate the warming rack down into position. Next, Press the **Control Knob (C4)** onto the valve stem. Install the **Grease Tray (C5)** by sliding the tray onto the **Grease Tray Rails** from the rear of the grill. **Note:** The grease tray rests between the grease tray rail stops. See detail shown in **Figure A**.



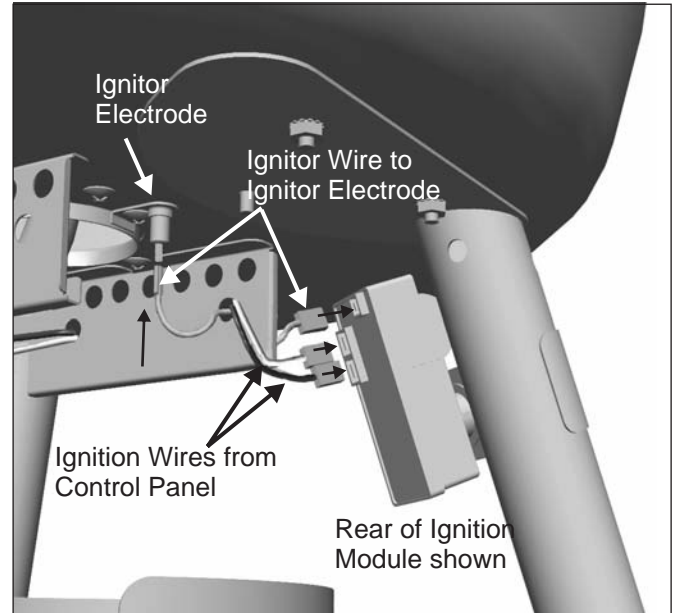
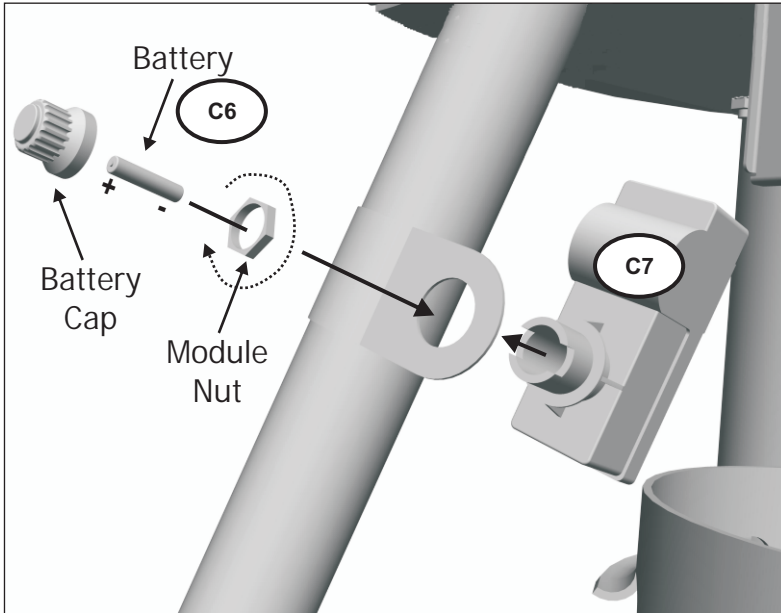


Part	Qty.
C6 – Battery	1
C7 – Electronic Ignition Module	1
C8 – Lid Handle	1

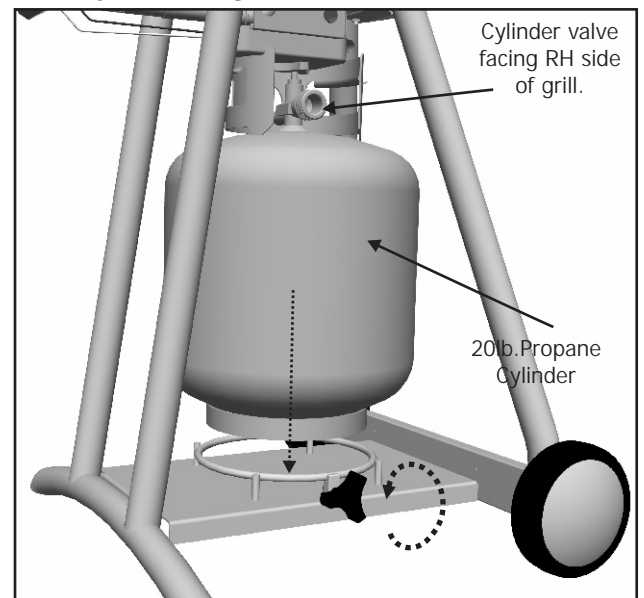
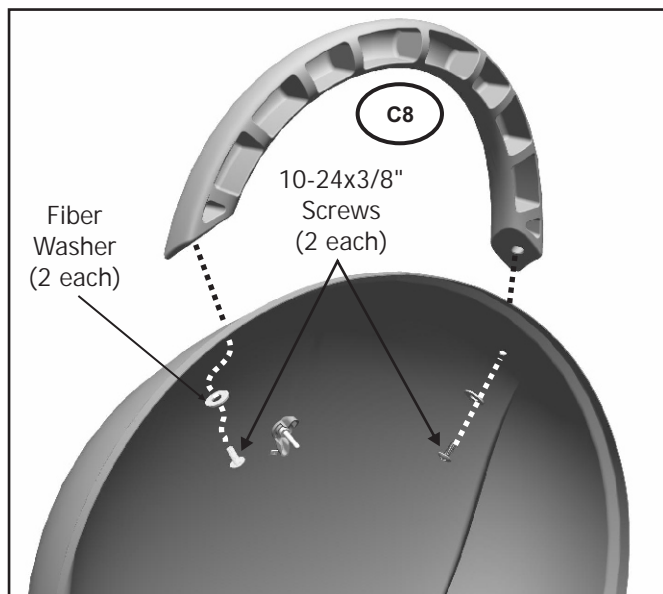


**NOTE:** The Ignition wiring shown below will only fit into the module one way. Be sure the wires are routed away from the heat source. Do not allow the wires to rest against hot areas of the grill.

**Step 3 -** Install the **Electronic Ignition Module**, Unscrew the **Battery Cap** and module nut from the **module**. Insert the module into the module bracket. Secure with the module nut. Install the **Battery (C6)** in the **Electronic Ignition Module (C7)** with the negative end first. Screw the **Battery Cap** back into place. Install the ignition wires as shown below.



**Step 4 -** Install the **Lid Handle (C8)** with 2 10-24x3/8" screws and 2 fiber washers as shown. Install the propane cylinder. Be sure to loosen the tank retaining bolt far enough to allow the cylinder to rest securely on the cart base. Tighten the tank retaining bolt and attach the propane regulator (not shown) when you are ready to use the grill.



Loosen **Tank Retaining Bolt**, install cylinder, then tighten.

**Congratulations!** You have successfully completed the assembly of your grill. Prior to using your grill, be sure to follow the leak check instructions found in the **Care and Use Guide**.



## Free Manuals Download Website

<http://myh66.com>

<http://usermanuals.us>

<http://www.somanuals.com>

<http://www.4manuals.cc>

<http://www.manual-lib.com>

<http://www.404manual.com>

<http://www.luxmanual.com>

<http://aubethermostatmanual.com>

Golf course search by state

<http://golfingnear.com>

Email search by domain

<http://emailbydomain.com>

Auto manuals search

<http://auto.somanuals.com>

TV manuals search

<http://tv.somanuals.com>