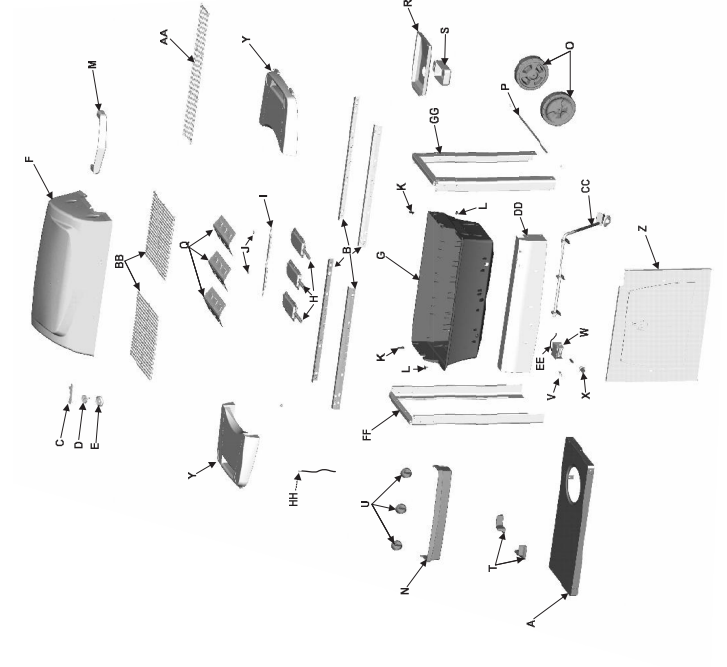
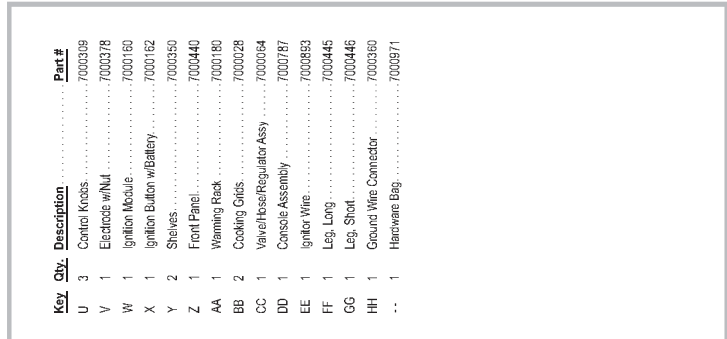


Parts List - Model 463351305

Key	Qty.	Description	Part #
A	1	Bottom Shelf	7000478
B	4	Rails	7000286
C	1	Logo Plate	4157147
D	1	Temperature Gauge	7000361
E	1	Temperature Gauge Bezel	4157169
F	1	Top Casting	7000435
G	1	Bottom Casting	7000844
H	3	Burners	7000083
I	1	Canyover Tube	7000278
J	2	Pal Nuts	7000132
K	3	"U" Nuts	7000185
L	2	Casting Bumpouts	7000184
M	1	Handle	7000184
N	1	Condiment Basket	7000347
O	2	Wheels	7000262
P	1	Axle Rod	7000265
Q	3	Vaporizer Tents	7000381
R	1	Grease Tray Assy	7000042
S	1	Grease Pan	7000046
T	2	Leg Extenders	7000230



Char-Broil
SERIES
ADVANTAGE

PRECISION GRILLING TECHNOLOGY

ASSEMBLY MANUAL
463351305
THIS GRILL IS FOR OUTDOOR USE ONLY

CAUTION: Read and follow all safety statements, assembly instructions and use and care directions before attempting to assemble and cook.

INSTALLER/ASSEMBLER: Leave these instructions with consumer. **CONSUMER:** Keep this manual for future reference.

WARNING: Failure to follow all manufacturer's instructions could result in serious personal injury and/or property damage.

CAUTION: Some parts may contain sharp edges - especially as noted in the manual! Wear protective gloves if necessary.

If you have any questions or need assistance during assembly, please call 1-800-241-7518. Visit us on the web at www.charbroil.com

Free Manuals Download Website

<http://myh66.com>

<http://usermanuals.us>

<http://www.somanuals.com>

<http://www.4manuals.cc>

<http://www.manual-lib.com>

<http://www.404manual.com>

<http://www.luxmanual.com>

<http://aubethermostatmanual.com>

Golf course search by state

<http://golfingnear.com>

Email search by domain

<http://emailbydomain.com>

Auto manuals search

<http://auto.somanuals.com>

TV manuals search

<http://tv.somanuals.com>