

WITH FAT BEAM™ TECHNOLOGY

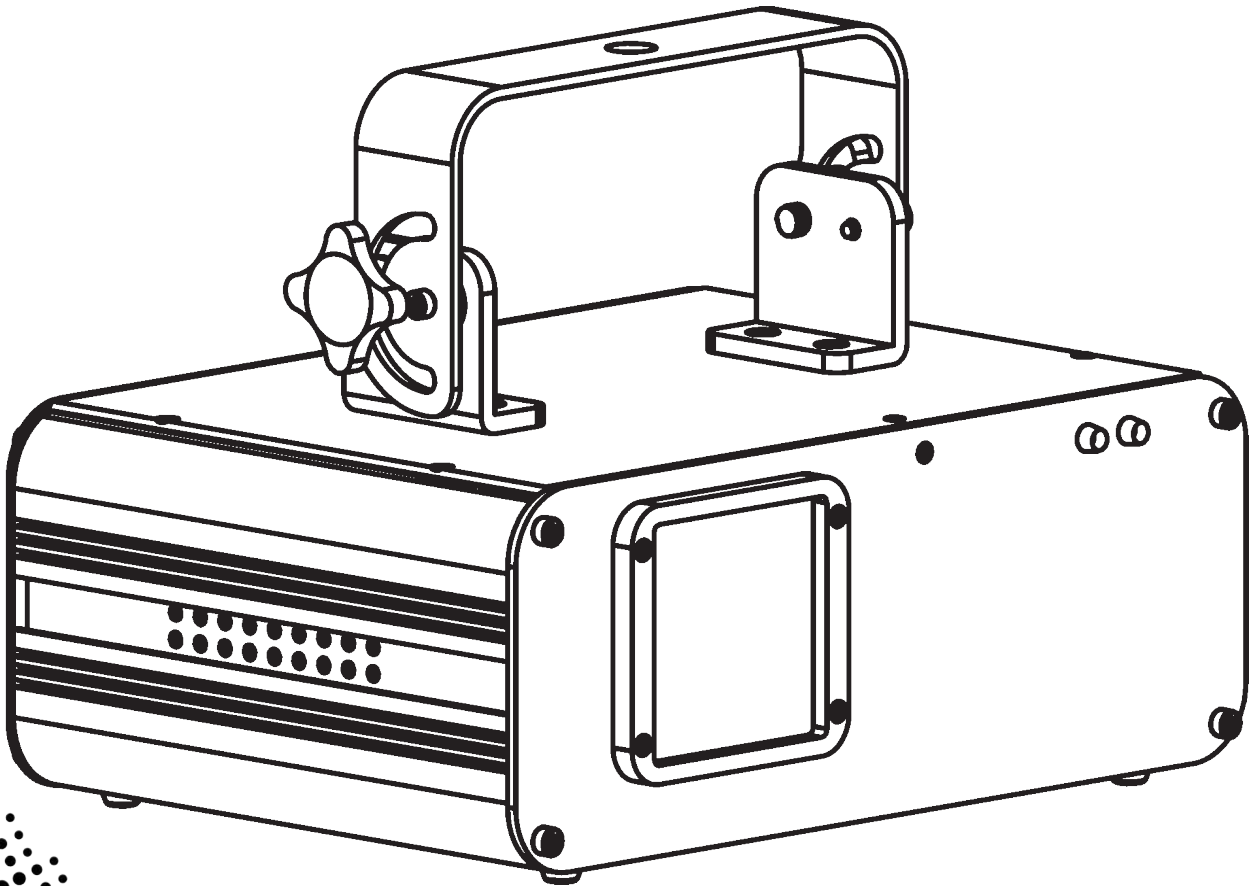
SCORPION™

GBC 2.0/RGY

User Manual



LASER LIGHT
AVOID DIRECT EYE EXPOSURE
CLASS IIIa LASER PRODUCT
CLASSIFIED PER 21 CFR 1040.10 & .11
Complies with US FDA CDRH laser safety
standards 21 CFR 1040.10 & 1040.11



CHAUVET®
Value • Innovation • Performance

TABLE OF CONTENTS

1. Before you Begin	4
Laser Safety Labels	7
Laser Emission Data.....	8
Scorpion™ GBC 2.0	8
Scorpion™ RGY	8
Laser Compliance Statement	8
2. Introduction.....	9
Overview	9
Dimensions	9
3. Setup	10
Power Linking.....	10
Mounting	11
Orientation.....	11
Rigging.....	11
4. Operation.....	12
Changing Options on the Current Menu Branch.....	12
Changing Options on a Different Menu Branch	12
Configuration.....	14
Starting Address	14
Sound Mode.....	14
Automatic Mode.....	15
Laser Sky Color Mode	15
Laser Sky Effect Mode	15
Reverse Motion	15
DMX Channel Assignments and Values.....	16
DMX Ch. 2 Pattern Selection.....	17
5. Technical Information.....	18
6. Technical Specifications	19
1. Antes de Empezar.....	20
Etiquetas de Seguridad del Láser	23
Datos de Emisión Láser.....	24
Scorpion™ GBC 2.0	24
Scorpion™ RGY	24
Declaración de Conformidad Láser.....	24
2. Introducción.....	25
Vista General.....	25
Dimensiones	25
3. Instalación.....	26
Alimentación en Cadena	26
Montaje	27
Orientación.....	27
Colocación	27
4. Funcionamiento	28
Modificar Opciones en la Rama de Menú Actual	28
Modificar Opciones en la Rama de Menú Actual	28
Configuración	30
Dirección de Inicio	30
Modo Sonido	30
Modo Automático.....	31
Modo Color Cielo Láser	31
Modo Efecto Cielo Láser.....	31

Asignaciones de Canal y Valores DMX	32
Selección Patrón C. 2 DMX	33
6. Especificaciones Técnicas	35
1. Avant de Commencer	36
Étiquettes de Sécurité du Laser	39
Scorpion™ GBC 2.0	40
Scorpion™ RGY	40
2. Introduction	41
Aperçu.....	41
Dimensions	41
3. Configuration	42
Installation.....	43
Orientation	43
Suspension.....	43
4. Fonctionnement	44
Modifier les Options sur l'Arborescence de Menu Actuelle	44
Modifier les Options sur une Arborescence de Menu Différente	44
Configuration	46
Adresse de Départ	46
Mode Musical.....	46
Mode Automatique	47
Mode Laser Couleur du Ciel	47
Effet de Mode Ciel au Laser	47
Mouvement Reverse (Inversé).....	47
Valeurs et Assignations de Canaux DMX	48
Sélection de Motif pour le Canal DMX n°2.....	49
5. Informations Techniques	50
6. Spécificités Techniques	51

1. Before You Begin

What is Included

- Scorpion™ GBC or RGY
- Power Cord
- Warranty Card
- User Manual




Unpacking Instructions

Immediately unpack and check the box. Make sure all the parts are present and in good condition. If the material inside the box appears damaged from shipping, notify the shipper immediately, not CHAUVET®. In addition, retain the container and all the packing material for inspection.

Text Conventions

Convention	Meaning
<Menu>	A key to be pressed on the product's control panel
1~512	A range of values
50/60	A set of values of which only one can be chosen
<i>Settings</i>	A menu option not to be modified (for example, showing the operating mode/current status)
<i>Menu > Settings</i>	A sequence of menu options to be followed
ON	A value to be entered or selected

Symbols

Symbol	Meaning
	Critical installation, configuration, or operation information. Failure to comply can make the laser not work, or not work correctly; damage it, or harm to the user.
	Important installation or configuration information. The laser may not work correctly if this advice is not followed.
	Useful information.

Disclaimer

The information and specifications contained in this document are subject to change without notice. CHAUVET® assumes no responsibility or liability for any errors or omissions that may appear in this manual. © Copyright 2012 CHAUVET®. All rights reserved.

Printed in P.R.C. Electronically published by CHAUVET® in the U.S.A.

Author	Date
S. Diaz	8/7/12

Safety Notes



CAUTION! The use of optical instruments with this product will increase eye hazard.

The following notes include important safety information about the installation, usage, and maintenance of this product.

- Keep this User Manual for future consultation. If you sell this product to another user, be sure that they also receive this document.
- Always make sure that the voltage of the outlet to which you are connecting this product is within the range stated on the decal or rear panel of the product.
- This product is for indoor use only! To prevent risk of fire or shock, do not expose this product to rain or moisture.
- Make sure there are no flammable materials close to the unit while operating.
- Always install this product in a location with adequate ventilation, at least 20 in (50 cm) from adjacent surfaces. Be sure that no ventilation slots are blocked.
- Always disconnect this product from the power source before cleaning it or replacing fuse.
- Make sure to replace the fuse with another of the same type and rating.
- If mounting it overhead, always secure this product to a fastening device using a safety chain.
- The maximum ambient temperature (T_a) is 104° F (40° C). Do not operate this product at higher temperatures.
- In the event of a serious operating problem, stop using the unit immediately. Never try to repair the unit. Repairs carried out by unskilled people can lead to damage or malfunction. Please contact the nearest authorized technical assistance center.
- Never connect this product to a dimmer pack.
- Make sure the power cord is not crimped or damaged.
- Never disconnect the power cord by pulling or tugging on the cord.
- Never carry a product from the power cord or any moving part. Always use the hanging/mounting bracket or the handles.
- Always avoid direct eye exposure to the light source when this product is on.
- Lasers can be hazardous and have unique safety considerations. Permanent eye injury and blindness is possible if lasers are used incorrectly. Pay close attention to each safety REMARK and WARNING statement in this user manual. Read all instructions carefully BEFORE operating this device.



- Avoid direct eye contact with laser light. Never intentionally expose your eyes or others to direct laser light.
- This laser product can potentially cause instant eye injury or blindness if laser light directly strikes the eyes.
- It is illegal and dangerous to shine this laser into audience areas, where the audience or other personnel could get direct laser beams or bright reflections into their eyes.
- It is a U.S. federal offense to shine any laser at aircraft.
- Use of controls or adjustments or performance of procedures other than those specified herein may result in hazardous radiation exposure.
- There are no user serviceable parts inside the unit. Do not open the housing or attempt any repairs yourself. In the unlikely event your unit may require service, please contact the dealer nearest to you.

Non-Interlocked Housing Warning Laser Safety Notes

- This unit contains high power laser devices internally.
- Do not open the laser housing, due to potential exposure to unsafe levels of laser radiation.
- The laser power levels, accessible if the unit is opened, can cause instant blindness, skin burns, and fires.



STOP AND READ ALL THE LASER SAFETY NOTES BELOW

Laser Light is different from any other light sources with which you may be familiar. The light from this product can potentially cause eye injury if not set up and used properly. Laser light is thousands of times more concentrated than light from any other kind of light source. This concentration of light can cause instant eye injuries, primarily by burning the retina (the light sensitive portion at the back of the eye). Even if you cannot feel “heat” from a laser beam, it can still potentially injure or blind you or your audience. Even very small amounts of laser light are potentially hazardous even at long distances. Laser eye injuries can happen quicker than you can blink.

It is incorrect to think that because these laser entertainment products use high speed scanned laser beams, that an individual laser beam is safe for eye exposure.

It is also incorrect to assume that because the laser light is moving, it is safe. This is not true. Nor, do the laser beams always move. Since eye injuries can occur instantly, it is critical to prevent the possibility of any direct eye exposure. In the laser safety regulation, it is not legal to aim Class IIIa lasers in areas where people can be exposed. This is true even if it is aimed below people’s faces, such as on a dance floor.

- Do not operate the laser without first reading and understanding all safety and technical data in this manual.
- Always set up and install all laser effects so that all laser light is at least 3 meters (9.8 feet) above the floor on which people can stand. See the “Proper Usage” section later in this manual.
- After set up, and prior to public use, test the laser to ensure proper function. Do not use if any defect is detected.
- Laser Light - Avoid Direct Eye Exposure.
- Do not point lasers at people or animals.
- Never look into the laser aperture or laser beams.
- Do not point lasers in areas where people can potentially be exposed, such as uncontrolled balconies, etc.
- Do not point lasers at highly reflective surfaces, such as windows, mirrors and shiny metal. Even laser reflections can be hazardous.
- Never point a laser at aircraft, as this is a US Federal offense.
- Never point un-terminated laser beams into the sky.
- Do not expose the output optic (aperture) to cleaning chemicals.
- Do not use laser if the laser appears to be emitting only one or two beams.
- Do not use the laser if the housing is damaged, open, or if the optics appear damaged in any way.
- Never open the laser housing. The high laser power levels inside of the protective housing can start fires, burn skin and will cause instant eye injury.
- Never leave this device running unattended.
- The operation of a Class IIIa laser show is only allowed if the show is controlled by a skilled and well-trained operator, familiar with the data included in this manual.
- The legal requirements for using laser entertainment products vary from country to country. The user is responsible for the legal requirements at the location/country of use.
- Always use appropriate lighting safety cables when hanging lights and effects overhead.



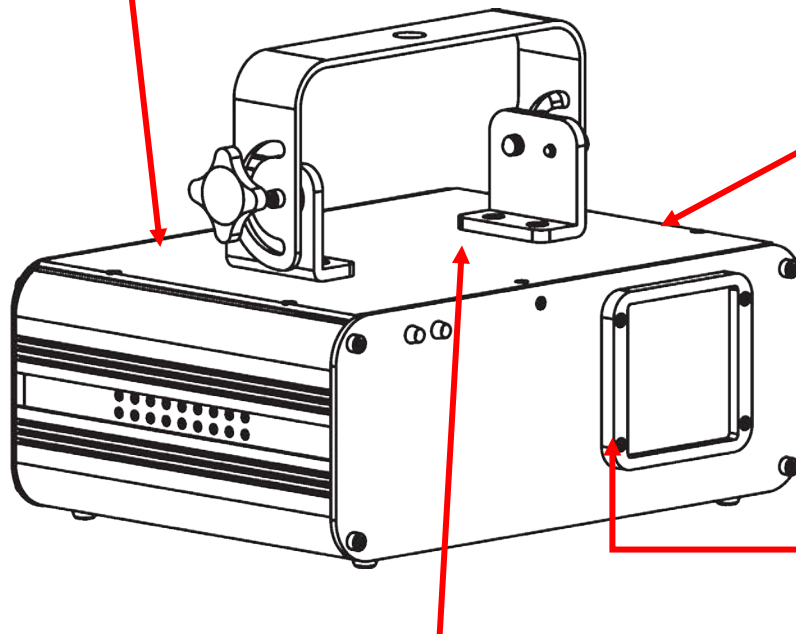
Laser Safety Labels

<p>LASER LIGHT AVOID DIRECT EYE EXPOSURE CLASS IIIa LASER PRODUCT <5mW 532nm & 450nm 300mSec-CW Classified per 21 CFR 14040.10 & 11</p>	<p>CHAUVET Lighting 5200NW 108th Avenue Sunrise, FL 33351</p>
<p>Complies with US FDA CDRH laser safety standards 21 CFR 1040.10 & 1040.11</p>	
<p>CHAUVET Value · Innovation · Performance</p> <p>NAME: Scorpion™ GBC 2.0 ITEM CODE: 10060591 VOLTAGE: 100~240 VAC, 50/60 Hz FUSE: T 1 A, 250 V CURRENT: 0.2 A @ 120 V POWER: 16 W POWER LINKING MAX: 37 UNITS LIGHT SOURCE: Laser Diode ORIGIN: Made in P.R.C.</p>	<p>WORLDWIDE HEADQUARTERS CHAUVET Sunrise, FLORIDA USA</p> <p>THIS APPLIANCE MUST BE GROUNDED</p> <p>USE ONLY FUSE OF SAME TYPE & RATING</p> <p>DISCONNECT FROM MAINS BEFORE SERVICING</p> <p>FOR INDOOR USE ONLY</p>

NOTICE

Scorpion™ GBC 2.0 sticker shown.

The sticker on your unit will reflect the actual Scorpion™ product model, whether GBC 2.0 or RGY.



CAUTION
 CLASS 3B LASER LIGHT WHEN OPEN
 AVOID EXPOSURE TO THE BEAM



WARRANTY VOID
 If seal is broken or has been tampered with

LASER APERTURE

Laser Emission Data



LASER EXPOSURE WARNING



Laser light — Avoid direct eye contact!

Further guidelines and safety programs for safe use of lasers can be found in the ANSI Z136.1 Standard “For Safe Use of Lasers”, available from the Laser Institute of America: www.laserinstitute.org. Many local governments, corporations, agencies, military and others, require all lasers to be used under the guidelines of ANSI Z136.1. Laser Display guidance can be obtained via the International Laser Display Association: www.laserist.org.

Scorpion™ GBC 2.0

Laser Classification	Class IIIa
Green Laser Medium	DPSS Nd: YVO4, 532 nm
Blue Laser Medium	450 nm, GaN
Beam Diameter	<15 mm at aperture
Pulse Data	All pulses < 4 Hz (>0.25 sec)
Divergence (each beam)	<2 mrad
Laser Power for Classification via 7 mm aperture*	<5 mW

Scorpion™ RGY

Laser Classification	Class IIIa
Red Laser Medium	GaAlAs, 650nm
Green Laser Medium	532 nm, DPSS Nd: YVO4
Beam Diameter	<15 mm at aperture
Pulse Data	All pulses < 4 Hz (>0.25 sec)
Divergence (each beam)	<2 mrad
Laser Power for Classification via 7 mm aperture*	<5 mW

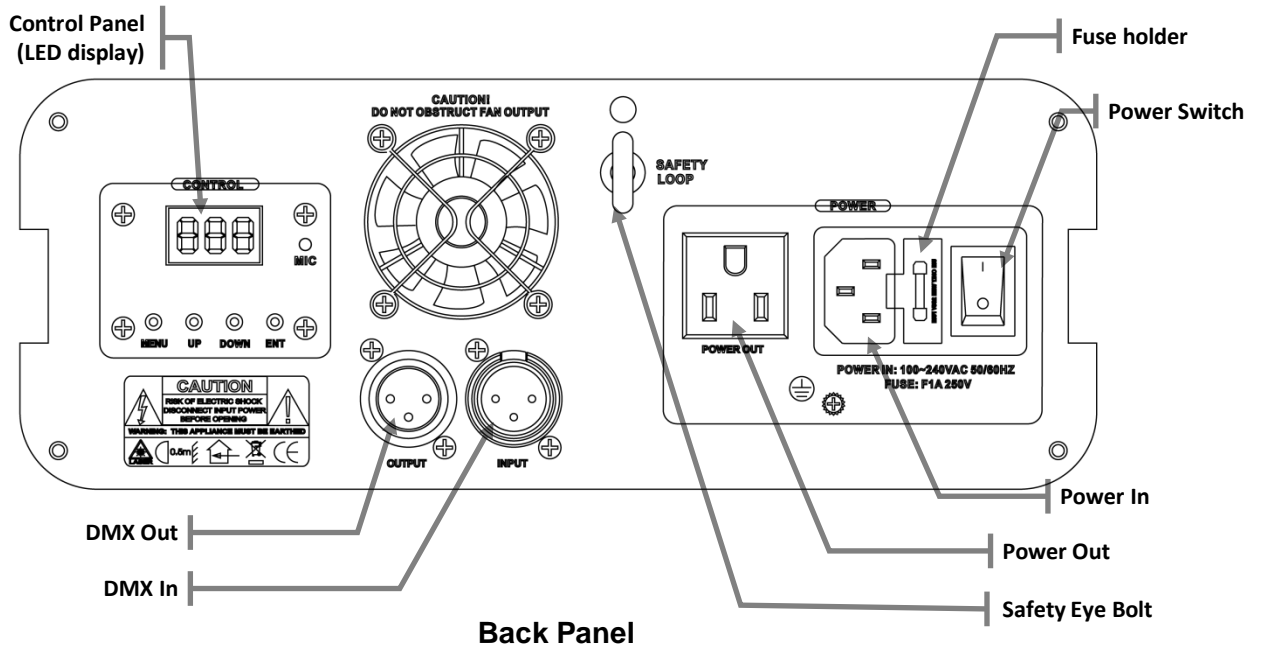
*As measured under IEC measurement conditions for classification.

Laser Compliance Statement

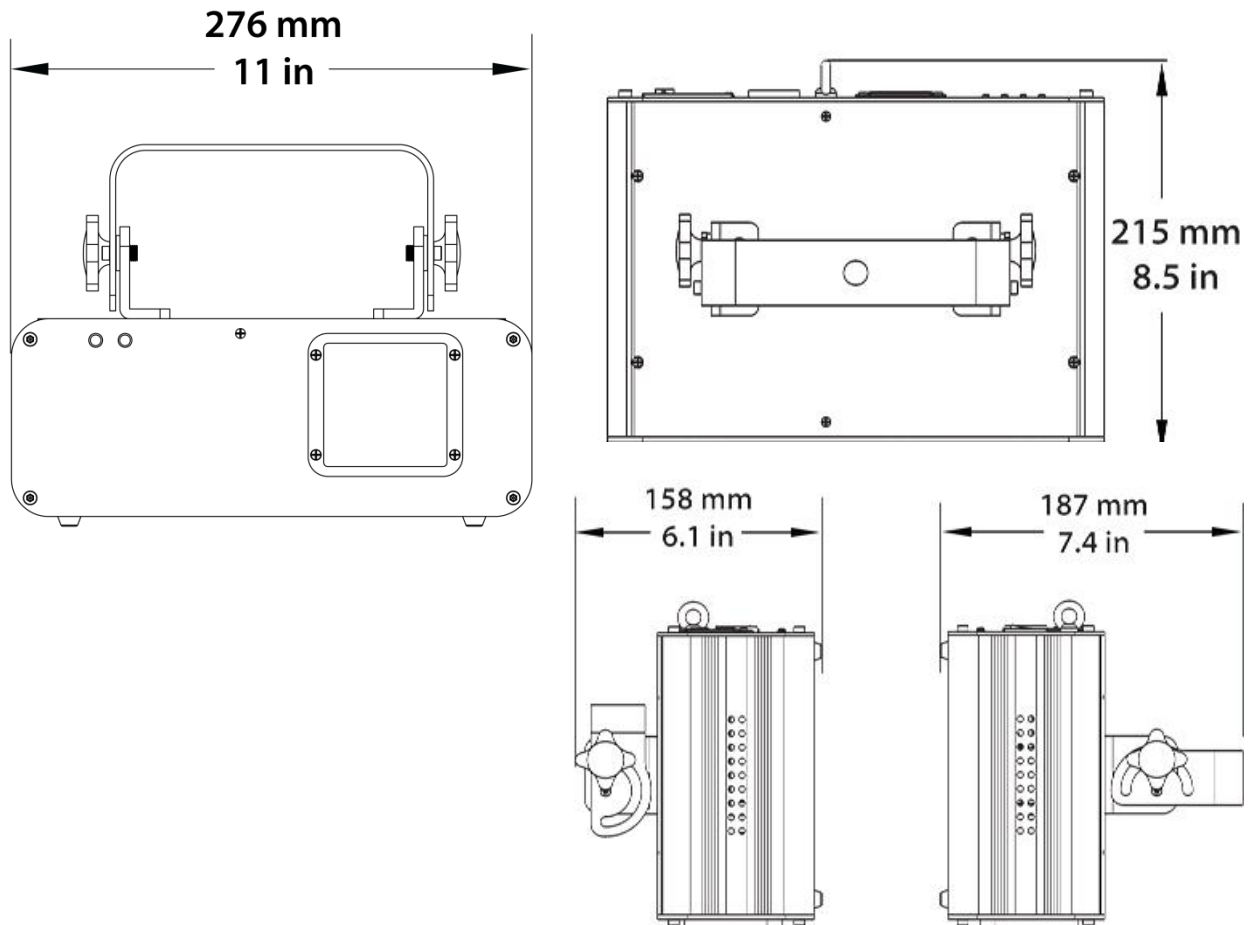
This laser product complies with U.S. FDA CDRH Laser Safety Standards 21 CFR 1040.10 and 1040.11. This laser device is Classified IIIa. (Class 3R is the international equivalent of U.S. Class IIIa). No maintenance is required to keep this product in compliance with laser performance standards.

2. Introduction

Overview



Dimensions



3. Setup

AC Power

This product has an auto-ranging power supply and can work with an input voltage range of 100~240 VAC, 50/60 Hz. See the label affixed to the back plate of the product or refer to the specifications chart. The listed current rating indicates its average current draw under normal conditions.



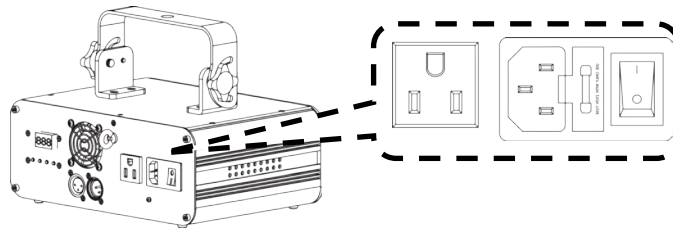
Always connect this product to a protected circuit (circuit breaker or fuse). Make sure that it has an appropriate electrical ground to avoid the risk of electrocution or fire.



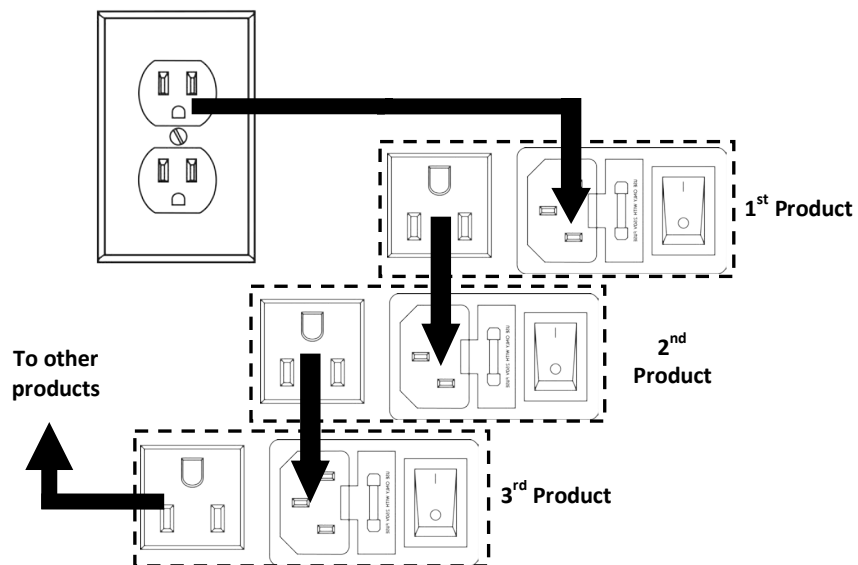
Never connect this product to a rheostat (variable resistor) or dimmer circuit, even if the rheostat or dimmer channel serves only as a 0 to 100% switch.

Power Linking

This product provides power linking via the Edison outlet located in the back of the unit.



Power Linking Diagram



You can power link up to 37 Scorpion™ GBC 2.0 products on 120 VAC or up to 74 Scorpion™ GBC 2.0 products on 230 VAC.



You can power link up to 39 Scorpion™ RGY products on 120 VAC or up to 63 Scorpion™ RGY products on 230 VAC.



The power linking diagram shown above corresponds to the North American version of this product **ONLY!** If using this product in other parts of the world, consult with your local CHAUVET® distributor, as power linking connectors and requirements may differ in your country or region.

Mounting

Orientation

The Scorpion™ GBC 2.0 and RGY units may be mounted in any position, provided there is adequate ventilation.

Rigging

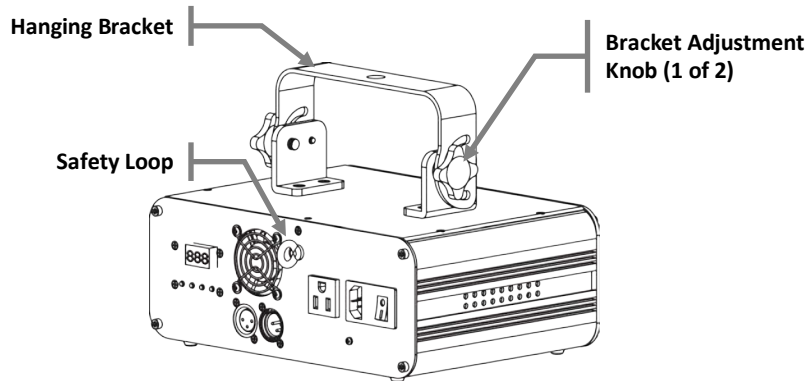
Be sure that the structure onto which you are mounting this product can support its weight. See the Technical Specifications section of this manual for weight information.

Mount the product securely. You can do this with a screw, a nut, and a bolt. You could also use a mounting clamp if rigging this product onto a truss. Always use a safety cable. Consider ease of access to the unit for maintenance and programming purposes before deciding on a location for this product

When power linking multiple products, always consider the length of the power linking cable and mount the products close enough together for cables to reach.

The bracket adjustment knobs allow for aiming the product to a desired angle. Do not use tools to loosen or tighten the bracket knobs because tools can damage them.

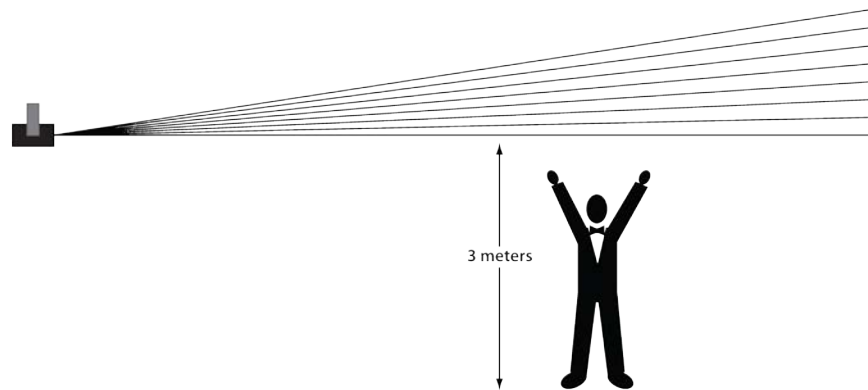
Mounting Diagram



Proper Use

This product is for overhead mounting only. For safety purposes, CHAUVET® recommends mounting your lighting effect products on steady elevated platforms or sturdy overhead supports using suitable hanging clamps. In all cases, you must use safety cables. You can obtain appropriate mounting hardware from your distributor.

International laser safety regulations require that laser products must be operated in the fashion illustrated below, with a minimum of 3 meters (9.8 ft) of vertical separation between the floor and the lowest laser light vertically. Additionally, 3 meters of horizontal separation is required between laser light and audience or other public spaces.



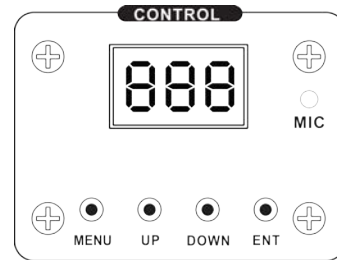
CAUTION: USE OF CONTROLS OR ADJUSTMENTS OR PERFORMANCE OF PROCEDURES OTHER THAN THOSE SPECIFIED HEREIN MAY RESULT IN HAZARDOUS RADIATION EXPOSURE.

4. Operation

Control Panel Operation

To access the control panel functions, use the four buttons located underneath the display.

Button	Function
<MENU>	Press to find an operation mode or to back out of the current menu option
<DOWN>	Press to scroll down the list of options or to find a lower value
<UP>	Press to scroll up the list of options or to find a higher value
<ENT>	Press to activate a menu option or a selected value



Menu Branches

The menu structures of the Scorpion™ GBC 2.0/RGY products have seven branches, as follows:

- Auto/Sound (13 option)
- Laser Sky Color (4 options)
- Laser Sky Effect (1 option)
- Sound Sensitivity (10 options)
- DMX address (503 options)
- Slave (1 option)
- Reverse (2 options with two values each)
- The control panel will remember the last setting you programmed, even after you have turned the product off.
- In addition, the control panel will remember the last selected option from each menu branch.



Changing Options on the Current Menu Branch

To change an option on the same menu branch, do the following:

1. Press <MENU> once (the LED display will blink).
2. Press <UP> or <DOWN> until the desired menu option shows on the LED display.
3. Press <ENT> to accept the new option (the new option will show solid on the LED display).

Changing Options on a Different Menu Branch

To change an option on a different menu branch, you must exit the current branch.

1. Press <MENU> once (the LED display will blink).
2. Press <MENU> repeatedly until seeing the active option of the desired menu branch.
3. Press <UP> or <DOWN> until the desired menu option within the new menu branch shows on the LED display.
4. Press <ENT> to accept the new option (the new option will show solid on the LED display).

Menu Options



This menu refers to two different CMY products, GBC 2.0 and RGY, each with a different set of colors.

Model	Color 1	Color 2	Color 3
GBC 2.0	Green	Blue	Cyan
RGY	Red	Green	Yellow

Branch	Programming Steps	Description	
Auto/Sound	AF1	Fast program shows color 1	
	AS1	Slow program shows color 1	
	AF2	Fast program shows color 2	
	AS2	Slow program shows color 2	
	AF3	Fast program shows color 3	
	AS3	Slow program shows color 3	
	AFM	Fast program alternates colors 1 through 3	
	ASM	Slow program alternates colors 1 through 3	
	So1	Sound-activated program shows color 1	
	So2	Sound-activated program shows color 2	
	So3	Sound-activated program shows color 3	
	SoM	Sound-activated program alternates colors 1 through 3	
Laser Sky Color	rdM	Randomly selects an operation mode	
	LS1	Laser sky effect shows the product's first color	
	LS2	Laser sky effect shows the product's second color	
	LS3	Laser sky effect shows the product's third color	
Laser Sky Effect	LSS	Sound triggered laser sky effect alternates colors	
Sound sensitivity	LSU	Laser sky effect position setting	
DMX	S 0-S 9	Adjusts the internal microphone's sensitivity	
Slave	001-503	Selects the DMX starting address (1-503)	
Reverse	rEv	SLA	Sets the product as "Slave" for master/slave operation
		P-y/P-n	Reverses pan movement direction
		t-y/t-n	Reverses tilt movement direction

Configuration

DMX Mode

Setting this product to operate in DMX mode will allow you to control it with a DMX controller.

1. Connect this product to a suitable power outlet.
2. Turn this product on.
3. Connect a DMX cable from the DMX output of the DMX controller to the DMX input socket of this product.

Starting Address

When selecting a starting DMX address, you must always consider the number of DMX channels assigned to the selected DMX mode. If you choose a starting address that is too high, you could restrict the access to some of the channels of the DMX mode in use. The Scorpion™ GBC 2.0/RGY products use **ten** DMX channels, which defines the highest configurable address to **503**.

If you are not familiar with the DMX protocol, you may refer to the “DMX Primer” section in the “*Technical Information*” chapter.

To select the starting address, do the following:

1. Press **<MENU>** repeatedly until the current starting address (**001** to **503**) shows blinking on the display.
2. Use **<UP>** or **<DOWN>** to select a different starting address (**001**~**503**).
3. Press **<ENT>** (the new starting address will show solid on the display).

Standalone Modes



Never connect a product that is operating in any standalone mode, whether Static, Automatic, or Sound to a DMX string connected to a DMX controller. This is because products in standalone mode may transmit DMX signals that could interfere with the DMX signals from the controller.

Setting this product to operate in DMX mode will allow you to control it without a DMX controller.

1. Connect this product to a suitable power outlet.
2. Turn this product on.

Sound Mode

To enable the Sound mode, do the following:

1. Press **<MENU>** repeatedly until the active option of the Auto/Sound branch (**AF1** to **rdM**) appears on the display.
2. Use **<UP>** or **<DOWN>** to select a sound-triggered program (**So1**~**SoM**).
3. Press **<ENT>** (the new sound program will show solid on the display).
4. Turn the music on.
5. Press **<MENU>** repeatedly until the active option of the Sound Sensitivity branch (**S 0** to **S 9**) shows blinking on the display.
6. Use **<UP>** or **<DOWN>** to select the sensitivity level (**S 0**~**S 9**).
7. Press **<ENT>** (the new sound sensitivity will show solid on the display).



The product will only respond to the low frequencies of the music (bass and drums).



NOTE: There are individual differences in responses to music between Scorpions™ set to the same Sound-active mode (S0~S9). To ensure an in-unison effect from multiple lasers, link them together in Master/Slave mode. The slave products will operate according to the master unit's Sound-active setting.

- Automatic Mode** To enable the Automatic mode, follow the instructions below:
1. Press **<MENU>** repeatedly until the active option of the Auto/Sound branch (**AF1** to **rdM**) shows blinking on the display.
 2. Use **<UP>** or **<DOWN>** to select an automatic program (**AF1~ASM**).
 3. Press **<ENT>** (the new auto program will show solid on the display).

- Laser Sky Color Mode** To enable the Laser Sky Color mode, follow the instructions below:
1. Press **<MENU>** repeatedly until the active option of the Laser Sky Color branch (**LS1** to **LSS**) shows blinking on the display.
 2. Use **<UP>** or **<DOWN>** to select a laser sky color option (**LS1~LSS**).
 3. Press **<ENT>** (the new laser sky color will show solid on the display).

- Laser Sky Effect Mode** To enable the Laser Sky Effect mode, follow the instructions below:
1. Press **<MENU>** repeatedly until **LSU** shows blinking on the display.
 2. Use **<UP>** or **<DOWN>** to change the angle of the laser sky effect.
 3. Press **<ENT>** (**LSU** will show solid on the display).

- Reverse Motion** To reverse the direction of the pan and tilt motion, follow the instructions below:
1. Press **<MENU>** repeatedly until **rEv** shows blinking on the display.
 2. Press **<ENT>** (the current option for pan direction will show (**P-n** or **P-Y**)).
 - a) To change the setting, use **<UP>** or **<DOWN>** and continue to step "3".
 - b) To keep the setting, continue to step "3".
 3. Press **<ENT>** (the current option for tilt direction will show (**t-n** or **t-Y**)).
 - a) To change the setting, use **<UP>** or **<DOWN>** and continue to step "4".
 - b) To keep the setting, continue to step "4".
 4. Press **<ENT>** (the current software version will show briefly on the display, followed by **rEv**).

Master/Slave Mode This mode allows a single Scorpion™ GBC 2.0/RGY product (the "master") to control the actions of one or more Scorpion™ GBC 2.0/RGY units (the "slaves") without the need of a DMX controller. The master unit will be set to operate in either Automatic, Sound, or Laser Sky mode, while the slave units will be set to operate in Slave Mode. Once set and connected, the slave units will operate in unison with the master unit. Configure the units as indicated below.

Slave units:

1. Press **<MENU>** repeatedly until **SLA** shows blinking on the display.
2. Press **<ENT>** (**SLA** will show solid on the display).
3. Connect the DMX input of the first slave unit to the DMX output of the master unit
4. Connect the DMX input of the subsequent slave units to the DMX output of the previous slave unit.
5. Finish setting and connecting all the slave units.

Master unit:

1. Set the master unit to operate in either, Automatic, Laser Sky, or Sound mode, as previously indicated.
2. Make the master unit the first unit in the DMX daisy chain.



- Wait until all the slave units are configured and connected before connecting the master unit to the DMX daisy chain.
- Never connect a DMX controller to a DMX string configured for Master/Slave operation because it may interfere with the signals from the master unit.

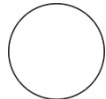


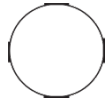

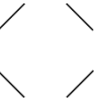




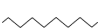
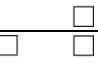



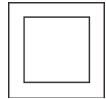



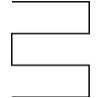
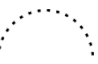



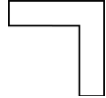


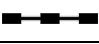






Do not connect more than 31 slave units to the master unit.

DMX Channel Assignments and Values

Channel	Function	Value	Setting
1	Control Mode (Use channels 2-10 in this mode)	000 ⇔ 017 018 ⇔ 035 036 ⇔ 053 054 ⇔ 071 072 ⇔ 089 090 ⇔ 107 108 ⇔ 125 126 ⇔ 143 144 ⇔ 161 162 ⇔ 179 180 ⇔ 197 198 ⇔ 215 216 ⇔ 233 234 ⇔ 255	Manual Mode Automatic fast color 1 Automatic slow color 1 Automatic fast color 2 Automatic slow color 2 Automatic fast color 3 Automatic slow color 3 Automatic fast mixed colors Automatic slow mixed colors Sound color 1 Sound color 2 Sound color 3 Sound mixed colors Random (Auto)
2	Pattern selection (Only when CH1 is between 000-017)	000 ⇔ 255	32 patterns
3	Color selection	000 ⇔ 024 025 ⇔ 049 050 ⇔ 074 075 ⇔ 099 100 ⇔ 124 125 ⇔ 149 150 ⇔ 174 175 ⇔ 199 200 ⇔ 224 225 ⇔ 255	Blackout Preprogrammed Color Color 1 Color 2 Color 3 Alternate Color 1/2 Alternate Color 2/3 Alternate Color 1/3 Alternate Color 1/2/3 Color Roll
4	Color Changing Speed	000 ⇔ 004 005 ⇔ 255	Stop Slow ⇔ fast
5	Zoom	000 ⇔ 127 128 ⇔ 169 170 ⇔ 209 210 ⇔ 255	100%~5% Zoom In Macro Zoom Out Macro Zoom In and Out Macro
6	X-Axis Move (Pan)	000 ⇔ 127 128 ⇔ 191 192 ⇔ 255	128 different positions on Y-Axis Move Left to right to Left (slow ⇔ fast) Move Left to right to Left (fast ⇔ slow)
7	Y-Axis Move (Tilt)	000 ⇔ 127 128 ⇔ 191 192 ⇔ 255	128 different positions on X-Axis Move Up to down to Up (slow ⇔ fast) Move Up to down to Up (fast ⇔ slow)
8	X-Axis Roll	000 ⇔ 127 128 ⇔ 191 192 ⇔ 255	Y-Axis Roll Roll (slow ⇔ fast) Roll (fast ⇔ slow)
9	Y-Axis Roll	000 ⇔ 127 128 ⇔ 191 192 ⇔ 255	Y-Axis Roll Roll (slow ⇔ fast) Roll (fast ⇔ slow)
10	Rotate	000 ⇔ 127 128 ⇔ 191 192 ⇔ 255	Z-Axis Roll Clockwise Rotate Counterclockwise Rotate

DMX Ch. 2 Pattern Selection

DMX VALUE	PATTERN	DMX VALUE	PATTERN	DMX VALUE	PATTERN
000~007		096~103		192~199	
008~015		104~111		200~207	
016~023		112~119		208~215	
024~031		120~127		216~223	
032~039		128~135		224~231	
040~047		136~143		232~235	
048~055		144~151		236~247	
056~063		152~159		248~255	
064~071		160~167			
072~079		168~175			
080~087		176~183			
088~095		184~191			

5. Technical Information

Product Maintenance

Dust build-up reduces light output performance and can cause overheating. This can lead to reduction of the light source's life and mechanical wear. To maintain optimum performance and minimize wear, clean your lighting products at least twice a month. (Use and environmental conditions may require increased cleaning frequency.)

- Unplug the product from power.
- Wait until the product is cold.
- Use a vacuum (or dry compressed air) and a soft brush to remove dust collected on the external surface and fan vents.
- Clean the glass panel (laser aperture) with a mild solution of glass cleaner or isopropyl alcohol.
- Apply the solution directly to a soft, lint-free cotton cloth or a lens cleaning tissue, and drag any dirt or grime to the outside of the glass.
- Gently polish the glass surface until it is free of haze and lint.



Always dry the glass surface carefully after cleaning them.



DO NOT spin the fan using compressed air because you could damage it.

DO NOT open this product for cleaning or servicing.

Returns

The user must send the merchandise prepaid, in the original box, and with its original packing and accessories. CHAUVET® will not issue call tags.

Call CHAUVET® and request a Return Merchandise Authorization (RMA) number before shipping the product. Be prepared to provide the model number, serial number, and a brief description of the cause for the return.

The user must clearly label the package with a Return Merchandise Authorization (RMA) number. CHAUVET® will refuse any product returned without an RMA number.



DO NOT write the RMA number directly on the box. Instead, write it on a properly affixed label.

Once you have received the RMA number, please include the following information on a piece of paper inside the box:

- Your name
- Your address
- Your phone number
- The RMA number
- A brief description of the problem

Be sure to pack the product properly. Any shipping damage resulting from inadequate packaging will be the customer's responsibility. FedEx packing or double-boxing are recommended.



CHAUVET® reserves the right to use its own discretion to repair or replace returned product(s).

Claims

The carrier is responsible for any damage incurred during shipping to this product or any part that shipped with it. Therefore, if the received merchandise appears to have damages caused during shipping, the customer must submit the damage report and any related claims with the carrier, not CHAUVET®. The customer must submit the report upon reception of the damaged merchandise. Failure to do so in a timely manner may invalidate the customer's claim with the carrier.

For other issues such as missing components or parts, damage not related to shipping, or concealed damage, the customer must make claims to CHAUVET® within 7 days of receiving the product.

6. Technical Specifications

Dimensions and Weight	Length	Width	Height	Weight
	11 in (276 mm)	8.5 in (215 mm)	7.4 in (187 mm)	5.6 lbs (2.7 kg)
Note: Dimensions in inches rounded to the nearest decimal digit				
Power	Power Supply Type	Range	Voltage Selection	
	Switching (internal)	100~240 V, 50/60 Hz	Auto-ranging	
Light Source	Parameter	120 V, 60 Hz	230 V, 50 Hz	
	Energy consumption	16 W	16 W	
	Operating current (units)	0.2 A	0.1 A	
	Power linking (units)	37 units	74 units	
	Fuse	T 1 A, 250 V	T 1 A, 250 V	
Scorpion™ GBC 2.0	Power I/O	Input	Output	
	Connectors	IEC	Edison (USA)	
	Cord plug	Edison (USA)	N/A	
Scorpion™ GBC 2.0	Type	Power	Wavelength	
	Laser (green)	10 mW	532 nm	
	Laser (blue)	20 mW	450 nm	
Scorpion™ RGY	Type	Power	Wavelength	
	Laser (red)	20 mW	650 nm	
	Laser (green)	10 mW	532 nm	
Photo Optic	Parameter	Value		
	Zoom range	1°~36°		
	Pan positioning	43°		
	Tilt positioning	39°		
Thermal	Maximum External Temp.	Cooling System		
	104° F (40° C)	Fan cooled		
DMX	I/O Connectors	Connector Type	Channel Range	
	3-pin XLR	Sockets	10	
Ordering	Scorpion™ GBC 2.0	Scorpion™ RGY		
	10060591	10060264		

1. Antes de Empezar

Qué va Incluido

- Scorpion™ GBC o RGY
- Tarjeta de Garantía
- Cable de Alimentación
- Manual de Usuario




Instrucciones de Desembalaje

Desembale y compruebe la caja lo antes posible. Cerciórese de que todas las partes están presentes y en buen estado. Si el material del interior de la caja parece dañado por el transporte, notifíquese al transportista inmediatamente, no a CHAUVET®. Además, guarde la caja y todo el material de embalaje para su inspección.

Convenciones de Texto

Convención	Significado
<Menu>	Una tecla que se tiene que pulsar en el panel de control del producto
1~512	Un rango de valores
50/60	Un conjunto de valores de los cuales solo se puede escoger uno
Configuración	Una opción de menú que no se modifica (por ejemplo, mostrar el modo de funcionamiento/estado actual)
Menú > Configuración	Una secuencia de opciones de menú que ha de seguirse
ON	Un valor que se tiene que introducir o seleccionar

Símbolos

Símbolo	Significado
	Instalación, configuración o información sobre funcionamiento crítica. Su incumplimiento puede hacer que el producto no funcione, que no lo haga correctamente, que se averíe, o causar daños al usuario.
	Instalación o información de configuración importante. El producto puede no funcionar correctamente si no se sigue esta recomendación.
	Información útil.

Exención de Responsabilidad

La información y especificaciones contenidas en este documento están sujetas a cambio sin previo aviso. CHAUVET® no asume responsabilidad de ningún tipo por cualquier error u omisión que pueda aparecer en este manual. © Copyright 2012 CHAUVET® Todos los derechos reservados. Impreso en la R. P. China. Publicación en formato electrónico por CHAUVET® en EE.UU.

Autor	Fecha
S. Diaz	07/08/2012

Notas de Seguridad



¡CUIDADO! El uso de instrumentos ópticos con este producto aumentará el riesgo para los ojos.

Las notas siguientes incluyen información importante de seguridad sobre la instalación, uso y mantenimiento de este producto.

- Guarde este Manual de Usuario para futuras consultas. Si vende este producto a otro usuario, asegúrese de que este recibe también el presente documento.
- Asegúrese siempre de que la tensión del enchufe al que conecte este producto está en el rango establecido en el grabado o en el panel posterior del producto.
- ¡Este producto es para uso en interiores solamente! Para evitar riesgos de incendio o descarga, no exponga este producto a la lluvia o la humedad.
- Asegúrese de que no hay materiales inflamables cerca de la unidad cuando esté en funcionamiento.
- Instale siempre este producto en una ubicación con ventilación adecuada, al menos a 20" (50 cm) de superficies adyacentes. Asegúrese de que no se han bloqueado las ranuras de ventilación.
- Desconecte siempre este producto de la fuente de alimentación antes de limpiarlo o cambiar el fusible.
- Asegúrese de sustituir el fusible con otro del mismo tipo y categoría.
- Si lo monta en alto, asegure siempre este producto a un dispositivo de seguridad usando una cadena de seguridad.
- La máxima temperatura ambiente (T_a) es de 104° F (40° C). No haga funcionar este producto a temperaturas más altas.
- En caso de un problema grave de funcionamiento, deje de usar la unidad inmediatamente. Nunca intente reparar la unidad. Las reparaciones llevadas a cabo por personal no cualificado pueden provocar averías o funcionamiento defectuoso. Póngase en contacto con el centro de asistencia técnica autorizado más cercano.
- Nunca conecte este producto a un regulador de intensidad.
- Asegúrese de que el cable de alimentación no está retorcido ni estropeado.
- Nunca desconecte el cable de alimentación agarrando o tirando del cable.
- Nunca arrastre un producto agarrando por el cable de alimentación o por cualquier parte móvil. Use siempre el soporte de montaje/colgar para el manejo.
- Evite siempre la exposición directa de los ojos a la fuente de luz mientras este producto esté encendido.
- Los láseres pueden ser peligrosos y tienen consideraciones de seguridad particulares. Puede producirse lesión ocular permanente y ceguera si los láseres se usan incorrectamente. Ponga máxima atención a todos los COMENTARIOS y ADVERTENCIAS de seguridad de este manual de usuario. Lea atentamente todas las instrucciones ANTES de poner en funcionamiento este dispositivo.



- Evite el contacto directo de los ojos con la luz del láser. Nunca exponga intencionadamente sus ojos o los de otras personas a la luz directa del láser.
- Este producto láser puede causar lesiones oculares al instante, o ceguera, si la luz del láser incide directamente en los ojos.
- Es ilegal y peligroso alumbrar con este láser zonas de espectadores en las que el público u otro personal pueda recibir rayos láser o reflejos de su brillo directamente en los ojos.
- En los EEUU es un delito federal dirigir cualquier láser hacia un avión.
- El uso de controles, ajustes o procedimientos de operación distintos a los especificados aquí pueden causar exposición peligrosa a la radiación.
- No hay piezas reparables por el usuario dentro de la unidad. No abra la carcasa ni intente ninguna reparación por sí mismo. En el caso improbable de que su unidad requiera reparación, póngase en contacto con su distribuidor más cercano.

Advertencia Sobre Carcasa no Cerrada

Notas de Seguridad Sobre Láser

- Esta unidad contiene internamente dispositivos láser de alta potencia.
- No abra la carcasa del láser, debido a la potencial exposición a niveles no seguros de radiación láser.
- Los niveles de láser a los que se tiene acceso si se abre la unidad pueden causar ceguera instantánea, quemaduras en la piel e incendios.



DETÉNGASE Y LEA TODAS LAS NOTAS DE SEGURIDAD SOBRE EL LÁSER SIGUIENTES

La luz láser es diferente de cualquier otra fuente de luz que usted conozca. La luz de este producto puede potencialmente causar lesión ocular si el producto no se instala y usa adecuadamente. La luz láser es miles de veces más concentrada que la luz de cualquier otro tipo de fuente. Esta concentración de luz puede causar lesiones instantáneas en el ojo, fundamentalmente por quemadura de la retina (la zona sensible a la luz en la parte posterior del ojo). Aunque usted no pueda sentir el "calor" de un haz de láser, este puede aún potencialmente lesionar o cegarle a usted o al público. Incluso cantidades de luz láser muy pequeñas son potencialmente peligrosas, incluso a largas distancias. Las lesiones oculares por láser pueden ocurrir más rápido de lo que se tarda en parpadear. No es correcto pensar que porque estos productos recreativos de láser utilizan haces de láser lanzados a alta velocidad, es segura la exposición del ojo a cualquier haz individual de láser.

También es incorrecto asumir que porque la luz láser está en movimiento, es segura. Esto no es cierto. Ni tampoco que los haces de láser se mueven siempre. Puesto que las lesiones oculares pueden producirse instantáneamente, es crítico prevenir la posibilidad de cualquier exposición directa al ojo. En las disposiciones de seguridad láser, no es legal apuntar con láseres clase IIIa hacia áreas en las que las personas puedan estar expuestas. Esto se aplica incluso si se apunta por debajo de las caras de la gente, por ejemplo hacia la pista de baile.



- No ponga en funcionamiento el láser sin primero leer y comprender todos los datos técnicos y de seguridad de este manual.
- Ubique e instale todos los efectos láser siempre de forma que toda la luz láser esté al menos a 3 m (9,8 pies) sobre el nivel del suelo en el que se encuentra la gente. Vea el apartado "Uso adecuado" más adelante en este manual.
- Después de la instalación, y antes de su uso público, pruebe el láser para asegurarse de que funciona adecuadamente. No lo use si detecta cualquier defecto.
- Luz láser - ¡Evite la exposición directa al ojo!
- No apunte con láser a personas o animales.
- Nunca mire a la apertura del láser o a los haces de láser.
- No apunte con el láser hacia áreas en las que las personas pudieran estar expuestas, como balcones sin vigilancia, etc.
- No apunte con láseres a superficies muy reflectantes como ventanas, espejos y metal pulido. Incluso los reflejos del láser pueden ser peligrosos.
- Nunca apunte con el láser a un avión, pues constituye un delito federal según las leyes de EE.UU.
- Nunca apunte hacia el cielo con haces láser sueltos.
- No exponga la óptica de salida (apertura) a productos de limpieza químicos.
- No utilice el láser si parece estar emitiendo solo uno o dos haces.
- No use el láser si la carcasa está averiada o abierta, o si la óptica parece dañada de cualquier modo.
- Nunca abra la carcasa del láser. Los altos niveles de potencia láser dentro de la carcasa protectora pueden originar incendios, quemaduras en la piel y causar lesiones oculares al instante.
- Nunca deje este dispositivo en funcionamiento sin vigilancia.
- El funcionamiento de un láser de espectáculo de Clase IIIa solo se permite si el espectáculo es controlado por un operador experimentado y bien formado, familiarizado con los datos contenidos en este manual.
- Los requisitos legales para usar productos de láser recreativo varían de un país a otro. El usuario es responsable de los requisitos legales del lugar/país en que lo utilice.
- Use siempre los cables de seguridad apropiados cuando cuelgue estas luces y efectos sobre las cabezas.

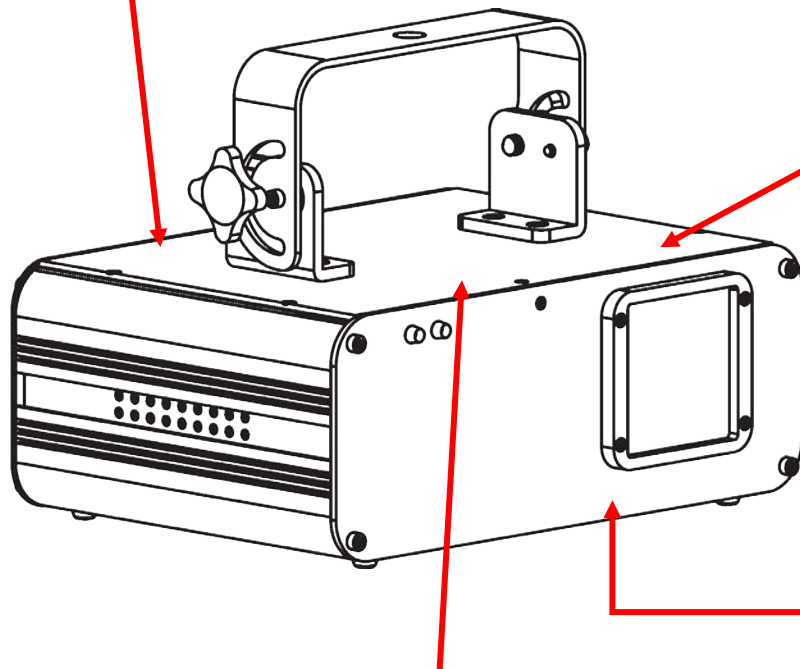
Etiquetas de Seguridad del Láser

<p>LASER LIGHT AVOID DIRECT EYE EXPOSURE CLASS IIIa LASER PRODUCT <5mW 532nm & 450nm 300mSec-CW Classified per 21 CFR 14040.10 & 11</p>	<p>CHAUVET Lighting 5200NW 108th Avenue Sunrise, FL 33351</p>
<p>Complies with US FDA CDRH laser safety standards 21 CFR 1040.10 & 1040.11</p>	
 <p>CHAUVET Value · Innovation · Performance</p>	<p>WORLDWIDE HEADQUARTERS CHAUVET Sunrise, FLORIDA USA</p>
<p>NAME: Scorpion™ GBC 2.0 ITEM CODE: 10060591 VOLTAGE: 100~240 VAC, 50/60 Hz FUSE: T 1 A, 250 V CURRENT: 0.2 A @ 120 V POWER: 16 W POWER LINKING MAX: 37 UNITS LIGHT SOURCE: Laser Diode ORIGIN: Made in P.R.C.</p>	<p>THIS APPLIANCE MUST BE GROUNDED</p> <p>USE ONLY FUSE OF SAME TYPE & RATING</p> <p>DISCONNECT FROM MAINS BEFORE SERVICING</p> <p>FOR INDOOR USE ONLY</p>

Aviso

Se muestra la etiqueta del Scorpion™ GBC 2.0.

En la etiqueta de su unidad figurará el modelo real de su producto Scorpion™, sea GBC 2.0 o RGY.



CAUTION
 CLASS 3B LASER LIGHT WHEN OPEN
 AVOID EXPOSURE TO THE BEAM



LASER APERTURE

WARRANTY VOID
 If seal is broken or has been tampered with

Datos de Emisión Láser



AVISO DE EXPOSICIÓN LÁSER



Luz láser — ¡Evite el contacto visual directo!

Se pueden encontrar más directrices y programas de seguridad para el uso seguro de láseres en la Normativa ANSI Z136.1 "Para uso seguro de Láseres," disponible en el Laser Institute of America: www.laserinstitute.org. Muchos gobiernos locales, corporaciones, agencias, ejército y otros requieren que todos los láseres se usen bajo las directrices de ANSI Z136.1. La guía Laser Display puede obtenerse de la International Laser Display Association, www.laserist.org.

Scorpion™ GBC 2.0

Clasificación láser	Clase IIIa
Láser Verde Medio	DPSS Nd: YVO4, 532 nm
Láser Azul Medio	450 nm, GaN
Diámetro del haz	<15 mm en la apertura
Datos de pulso	Todos los pulsos < 4 Hz (>0,25 s)
Divergencia (cada haz)	<2 mrad
Potencia láser para clasificación mediante apertura de 7 mm*	<5 mW

Scorpion™ RGY

Clasificación láser	Clase IIIa
Láser Rojo Medio	GaAlAs, 650nm
Láser Verde Medio	532 nm, DPSS Nd: YV04
Diámetro del haz	<15 mm en la apertura
Datos de pulso	Todos los pulsos < 4 Hz (>0,25 s)
Divergencia (cada haz)	<2 mrad
Potencia láser para clasificación mediante apertura de 7 mm*	<5 mW

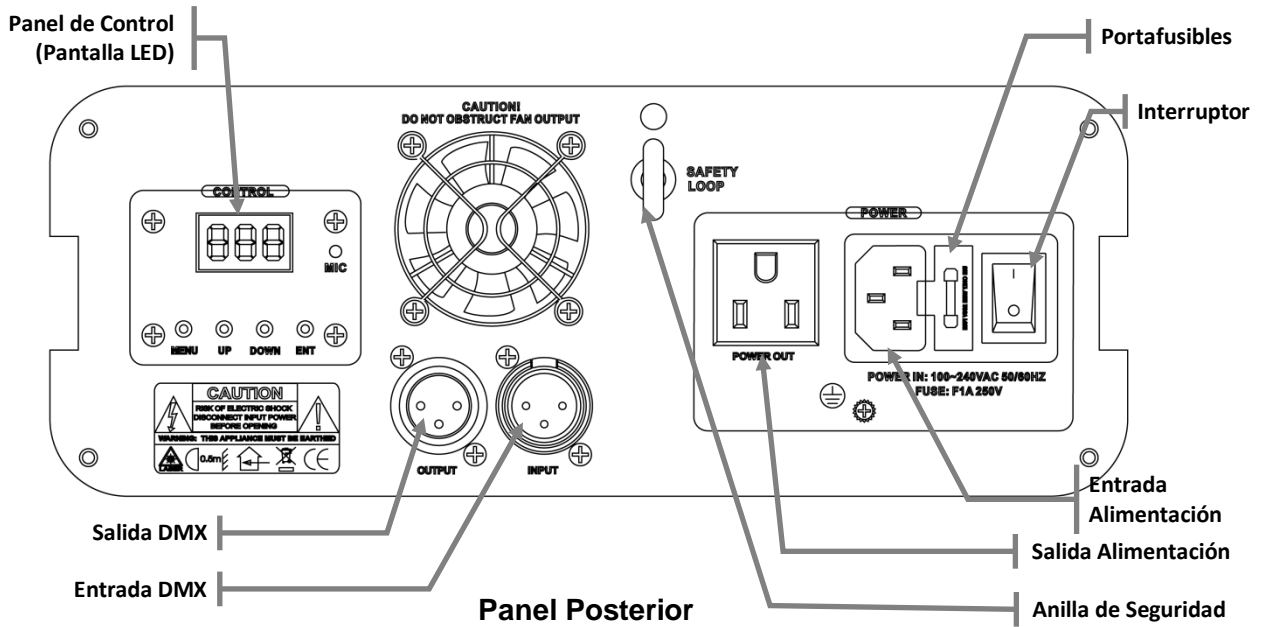
*Según medida bajo condiciones de medición IEC para clasificación.

Declaración de Conformidad Láser

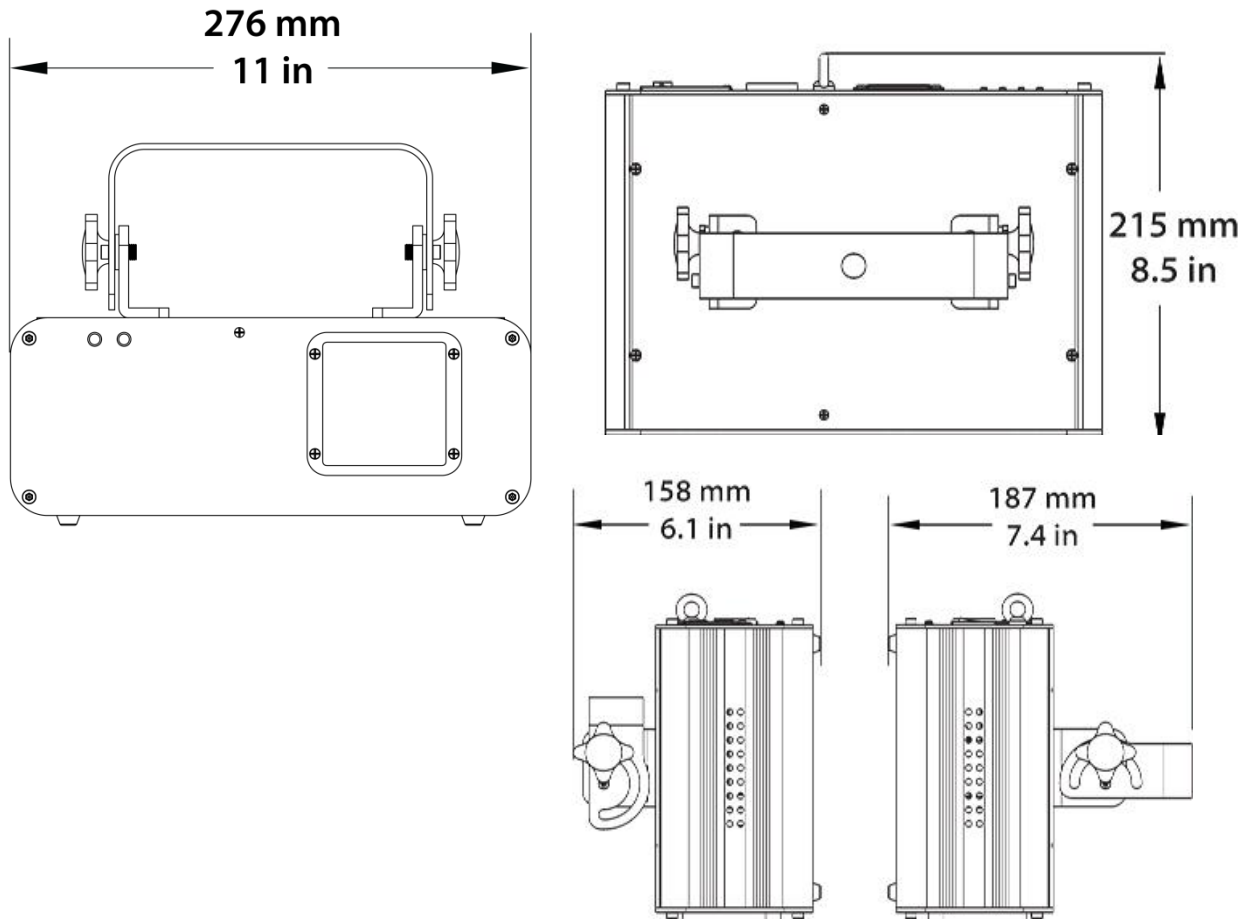
Este producto láser cumple con la Normativa de Seguridad Láser US, FDA, CDHR 21 CFR 1040.10 y 1040.11 Este dispositivo láser está clasificado como IIIa. (La Clase 3R es el equivalente internacional a la Clase IIIa de EEUU). No es necesario ningún mantenimiento para que este producto siga cumpliendo los estándares de rendimiento láser.

2. Introducción

Vista General



Dimensiones



3. Instalación

Corriente Alterna

Este producto tiene una fuente de alimentación con detección automática (auto-rango) que puede funcionar con un rango de tensión de entrada de 100~240 VCA, 50/60 Hz. Vea la etiqueta fijada a la placa posterior del producto o consulte la tabla de especificaciones. La especificación de corriente listada indica su consumo de corriente promedio en condiciones normales.



Conecte siempre este producto a un circuito protegido (disyuntor o fusible). Asegúrese de que tiene una toma de tierra adecuada para evitar el riesgo de electrocución o incendio.



Nunca conecte este producto a un reostato (resistor variable) o circuito de atenuación, incluso si el canal del reostato o atenuador sirve solo como conmutador 0 a 100%.

Alimentación en Cadena

Este producto proporciona alimentación en cadena por medio del enchufe Edison ubicado en la parte posterior de la unidad.

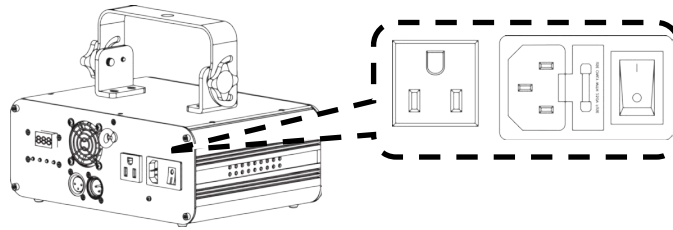
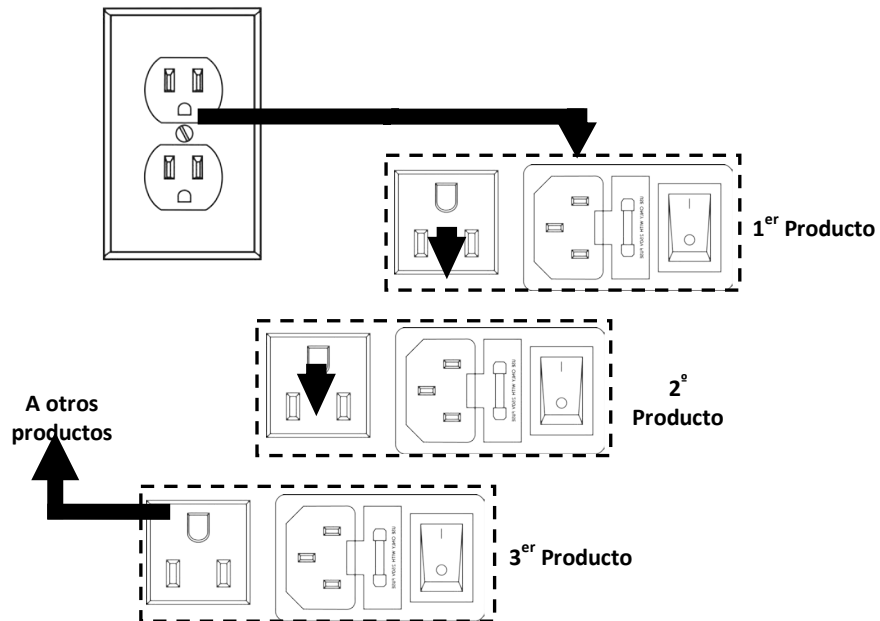


Diagrama de Alimentación en Cadena



Puede encadenar la alimentación de hasta 37 productos Scorpion™ GBC 2.0 a 120 VCA o hasta 74 productos Scorpion™ GBC 2.0 a 230 VCA.



Puede encadenar la alimentación de hasta 39 productos Scorpion™ RGY a 120 VCA o hasta 63 productos Scorpion™ RGY 2.0 a 230 VCA.



¡El diagrama de alimentación de cadena que se muestra arriba corresponde SOLO a la versión de América del Norte de este producto! Si usa el producto en otras partes del mundo, debe consultar con su distribuidor local de CHAUVET®, pues los conectores de alimentación en cadena y los requisitos pueden variar en su país o región.

Montaje

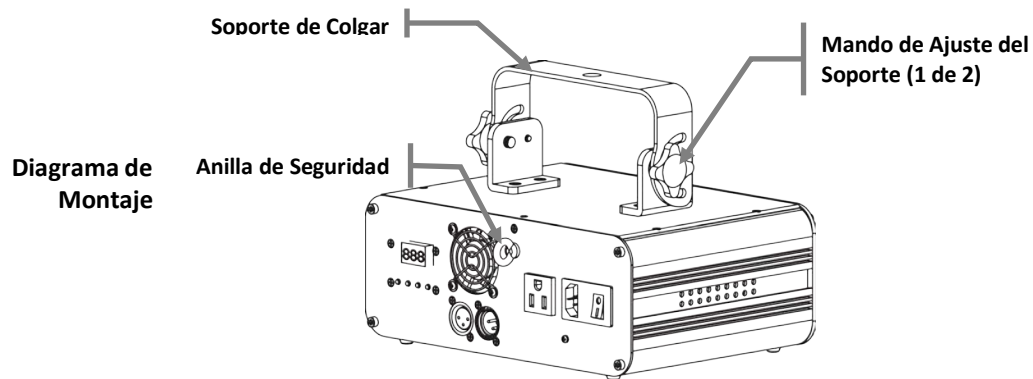
Orientación Las unidades Scorpion™ GBC 2.0 y RGY pueden montarse en cualquier posición, mientras haya espacio adecuado para la ventilación.

Colocación Asegúrese de que la estructura sobre la que está montando este producto puede soportar su peso. Vea la sección de *Especificaciones Técnicas* de este manual para información sobre el peso.

Monte el producto de forma segura. Puede hacer esto con un tornillo, una tuerca y un perno. También puede utilizar una abrazadera de montaje, si va a colocar este producto en un truss. Use siempre un cable de seguridad. Tenga en cuenta la facilidad de acceso a la unidad para propósitos de mantenimiento y programación antes de decidir la ubicación de este producto.

Cuando enlace en cadena la alimentación de varios productos, tenga siempre en cuenta la longitud del cable de alimentación en cadena y monte los productos lo suficientemente cerca como para que el cable alcance.

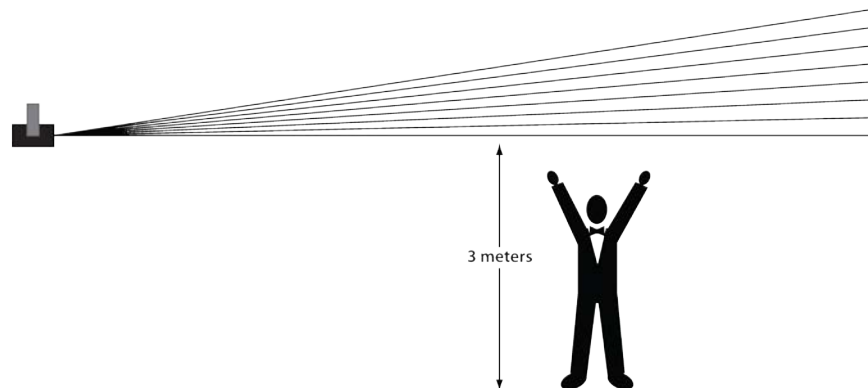
Los mandos de ajuste del soporte permiten dirigir el producto hacia un ángulo deseado. No utilice herramientas para aflojar o apretar los mandos del soporte, puesto que las herramientas pueden estropearlos.



Uso Adecuado

Este producto es para montaje en alto solamente. Por seguridad, CHAUVET® recomienda montar sus productos de efectos de iluminación sobre plataformas estables y elevadas, o en soportes en alto sólidos utilizando abrazaderas apropiadas para colgar. En todos los casos, debe utilizar cables de seguridad. Puede obtener material de fijación apropiado de su distribuidor.

Las disposiciones internacionales de seguridad láser precisan que los productos de láser se manejen de la forma mostrada a continuación, con una separación vertical mínima de 3 metros (9,8 pies) entre el suelo y la luz láser más baja. Además, se requiere una separación horizontal de 3 metros entre la luz láser y los espectadores u otros espacios públicos.



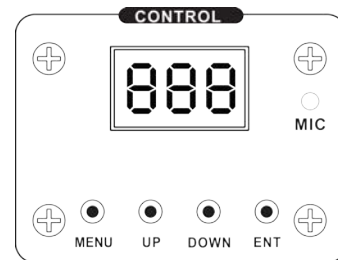
CUIDADO: EL USO DE CONTROLES, AJUSTES O PROCEDIMIENTOS DE OPERACIÓN DISTINTOS A LOS ESPECIFICADOS EN ESTE MANUAL PUEDEN CAUSAR EXPOSICIÓN PELIGROSA A LA RADIACIÓN.

4. Funcionamiento

Funcionamiento del Panel de Control

Para acceder a las funciones del panel de control, use los cuatro botones ubicados bajo la pantalla.

Botón	Función
<MENU>	Pulse para encontrar un modo de funcionamiento o para volver a la opción de menú actual
<DOWN>	Pulse para desplazarse hacia abajo por la lista de opciones o para encontrar un valor menor
<UP>	Pulse para desplazarse hacia arriba por la lista de opciones o para encontrar un valor más alto
<ENT>	Pulse para activar una opción de menú o un valor seleccionado



Ramas del Menú

Las estructuras de menú de los productos Scorpion™ GBC 2.0/RGY tienen siete ramas, de la forma siguiente:

- Auto/Sound (13 opciones)
- Laser Sky Color (4 opciones)
- Laser Sky Effect (1 opción)
- Sound Sensitivity (10 opciones)
- DMX address (503 opciones)
- Slave (1 opción)
- Reverse (2 opciones con dos valores cada una)
- **El panel de control recordará la última configuración que programó, incluso aunque haya apagado el producto.**
- **Además, el panel de control recordará la última opción seleccionada de cada rama de menú.**



Modificar Opciones en la Rama de Menú Actual

Para cambiar una opción en la misma rama de menú, haga lo siguiente:

1. Pulse <MENU> una vez (la pantalla LED parpadeará).
2. Pulse <UP> o <DOWN> hasta que la opción de menú deseada aparezca en la pantalla LED.
3. Pulse <ENT> para aceptar la nueva opción (la nueva opción permanecerá fija en la pantalla LED).

Modificar Opciones en la Rama de Menú Actual

Para cambiar una opción en una rama de menú diferente, tiene que salir de la rama actual.

1. Pulse <MENU> una vez (la pantalla LED parpadeará).
2. Pulse <MENU> repetidamente hasta que vea la opción activa de la rama de menú deseada.
3. Pulse <UP> o <DOWN> hasta que la opción de menú deseada dentro de la nueva rama de menú aparezca en la pantalla LED.
4. Pulse <ENT> para aceptar la nueva opción (la nueva opción permanecerá fija en la pantalla LED).

Opciones de Menú



Este menú hace referencia a dos productos CMY diferentes, GBC 2.0 y RGY, cada uno con un conjunto diferente de colores.

Modelo	Color 1	Color 2	Color 3
GBC 2.0	Verde	Azul	Cian
RGY	Rojo	Verde	Amarillo

Rama	Pasos de Programación	Descripción	
Auto/Sound	AF1	Programa rápido muestra color 1	
	AS1	Programa lento muestra color 1	
	AF2	Programa rápido muestra color 2	
	AS2	Programa lento muestra color 2	
	AF3	Programa rápido muestra color 3	
	AS3	Programa lento muestra color 3	
	AFM	Programa rápido alterna colores 1 a 3	
	ASM	Programa lento alterna colores 1 a 3	
	So1	Programa activado por sonido muestra color 1	
	So2	Programa activado por sonido muestra color 2	
	So3	Programa activado por sonido muestra color 3	
	SoM	Programa activado por sonido alterna colores 1 a 3	
	rdM	Selecciona un modo de funcionamiento aleatorio	
Laser Sky Color	LS1	El Efecto Cielo Láser muestra el primer color del producto	
	LS2	El Efecto Cielo Láser muestra el segundo color del producto	
	LS3	El Efecto Cielo Láser muestra el tercer color del producto	
	LSS	Efecto cielo láser disparado por sonido alterna colores	
Laser Sky Effect	LSU	Configuración posición efecto cielo láser	
Sound Sensitivity	S 0~S 9	Ajusta la sensibilidad del micrófono interno	
DMX	001~503	Selecciona la dirección de inicio DMX (1~503)	
Slave	SLA	Configura el producto como "Esclavo" para funcionamiento maestro/esclavo	
Reverse	rEv	P-y/P-n	Invierte el sentido del desplazamiento lateral
		t-y/t-n	Invierte el sentido del movimiento de inclinación

Configuración

Modo DMX

Configurar este producto para funcionar en modo DMX le permitirá controlarlo con un controlador DMX.

1. Conecte este producto a una toma de corriente adecuada.
2. Encienda este producto.
3. Conecte un cable DMX de la salida DMX del controlador DMX al conector de entrada DMX de este producto.

Dirección de Inicio

Cuando seleccione una dirección DMX de inicio, debe tener siempre en cuenta el número de canales DMX asignados al modo DMX seleccionado. Si escoge una dirección de inicio que es demasiado alta, podría estar restringiendo el acceso a algunos de los canales del modo DMX en uso.

Los productos Scorpion™ GBC 2.0/RGY utilizan **diez** canales DMX, lo que determina la dirección configurable más alta como la **503**.

Si no está familiarizado con el protocolo DMX, puede consultar la sección del Manual DMX en el apartado "*Información técnica*".

Para seleccionar la dirección de inicio, haga lo siguiente:

1. Pulse **<MENU>** repetidamente, hasta que la dirección de inicio actual (**001** a **503**) aparezca parpadeando en la pantalla.
2. Utilice **<UP>** o **<DOWN>** para seleccionar una dirección de inicio diferente (**001~503**).
3. Pulse **<ENT>** (la nueva dirección de inicio permanecerá fija en la pantalla).

Modos Independientes



Nunca conecte un producto que está funcionando en cualquier modo independiente, sea Estático, Automático o por Sonido, a una línea DMX conectada a un controlador DMX. La razón es que los productos en modo independiente pueden transmitir señales DMX que podrían interferir con las señales DMX del controlador.

Configurar este producto para funcionar en modo DMX le permitirá controlarlo sin un controlador DMX.

1. Conecte este producto a una toma de corriente adecuada.
2. Encienda este producto.

Modo Sonido

Para habilitar el modo Sonido, haga lo siguiente:

1. Pulse **<MENU>** repetidamente hasta que la opción activa de la rama Automático/Sonido (**AF1** a **rdM**) aparezca en la pantalla.
2. Utilice **<UP>** o **<DOWN>** para seleccionar un programa disparado por sonido (**So1~SoM**).
3. Pulse **<ENT>** (el nuevo programa por sonido permanecerá fijo en la pantalla).
4. Encienda la música.
5. Pulse **<MENU>** repetidamente hasta que la opción activa de la rama de Sensibilidad al Sonido (**S 0** a **S 9**) aparezca parpadeando en la pantalla.
6. Utilice **<UP>** o **<DOWN>** para seleccionar el nivel de sensibilidad (**S 0~S 9**).
7. Pulse **<ENT>** (la nueva sensibilidad al sonido permanecerá fija en la pantalla).



El producto solo responderá a las bajas frecuencias en la música (graves y percusión).



NOTA: Hay diferencias individuales en la respuesta a la música de los Scorpions™ configurados en el mismo modo activo por sonido (S0~S9). Para asegurar un efecto al unísono de múltiples láseres, enlázelos entre sí en modo Maestro/Esclavo. Los productos esclavo funcionarán de acuerdo con la configuración activa por sonido de la unidad maestro.

- Modo Automático** Para habilitar el modo Automático, siga las instrucciones siguientes:
1. Pulse <MENU> repetidamente hasta que la opción activa de la rama Automático/Sonido (**AF1 a rdM**) aparezca parpadeando en la pantalla.
 2. Utilice <UP> o <DOWN> para seleccionar un programa automático (**AF1~ASM**).
 3. Pulse <ENT> (el nuevo programa automático permanecerá fijo en la pantalla).
- Modo Color Cielo Láser** Para habilitar el modo Cielo Láser Color, siga las instrucciones siguientes:
1. Pulse <MENU> repetidamente hasta que la opción activa de la rama de Color Cielo Láser (**LS1 a LSS**) aparezca parpadeando en la pantalla.
 2. Utilice <UP> o <DOWN> para seleccionar una opción de color del cielo láser (**LS1~LSS**).
 3. Pulse <ENT> (el nuevo color del cielo láser permanecerá fijo en la pantalla).
- Modo Efecto Cielo Láser** Para habilitar el modo Efecto Cielo Láser, siga las instrucciones siguientes:
1. Pulse <MENU> repetidamente hasta que **LSU** aparezca parpadeando en la pantalla.
 2. Utilice <UP> o <DOWN> para cambiar el ángulo del efecto de cielo láser.
 3. Pulse <ENT> (**LSU** permanecerá fijo en la pantalla).
- Movimiento Inverso** Para invertir el sentido de los movimientos de inclinación y desplazamiento lateral, siga las instrucciones siguientes:
1. Pulse <MENU> repetidamente hasta que **rEv** aparezca parpadeando en la pantalla.
 2. Pulse <ENT> [aparecerá la opción actual para el sentido de desplazamiento lateral (**P-n** o **P-Y**)].
 - a) Para cambiar la configuración, utilice <UP> o <DOWN> y continúe con el paso "3".
 - b) Para mantener la configuración, continúe con el paso "3".
 3. Pulse <ENT> [aparecerá la opción actual para el sentido de la inclinación (**t-n** o **t-Y**)].
 - a) Para cambiar la configuración, utilice <UP> o <DOWN> y continúe con el paso "4".
 - b) Para mantener la configuración, continúe con el paso "4".
 4. Pulse <ENT> (la versión de software actual aparecerá brevemente en la pantalla, seguida de **rEv**).
- Modo Maestro/Esclavo** El modo Maestro/Esclavo permite que un solo producto Scorpion™ GBC 2.0/RGY (el "maestro"), controle las acciones de una o más unidades Scorpion™ GBC 2.0/RGY (los "esclavos") sin necesidad de un controlador DMX. La unidad maestro se configurará para funcionar bien en modo Automático, Sonido o Cielo Láser, mientras que las unidades esclavo se configurarán para funcionar en Modo Esclavo. Una vez configuradas y conectadas, las unidades esclavo funcionarán al unísono con la unidad maestro.
- Configure las unidades como se indica a continuación.

Unidades esclavo:

1. Pulse <MENU> repetidamente hasta que **SLA** aparezca parpadeando en la pantalla.
2. Pulse <ENT> (**SLA** permanecerá fijo en la pantalla).
3. Conecte la entrada DMX de la primera unidad esclavo a la salida DMX de la unidad maestro.
4. Conecte la entrada DMX de las siguientes unidades esclavo a la salida DMX de la unidad esclavo precedente.
5. Termine de configurar y conectar todas las unidades esclavo.

Unidad maestro:

1. Configure la unidad maestro para funcionar en modo Automático, Cielo Láser o Sonido, como se indica anteriormente.
2. Ponga la unidad maestro como la primera unidad de la cascada DMX.
 - Espere a que todas las unidades esclavo estén configuradas y conectadas antes de conectar la unidad maestro a la cascada DMX.
 - Nunca conecte un controlador DMX a una línea DMX configurada para funcionamiento Maestro/Esclavo, porque puede interferir con las señales de la unidad maestro.

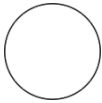


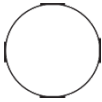

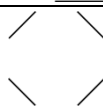

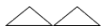

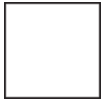
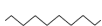
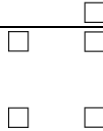



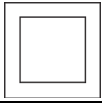



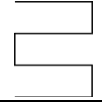
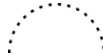



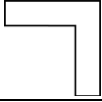






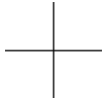


No conecte más de 31 unidades esclavo a la unidad maestro.

Asignaciones de Canal y Valores DMX

Canal	Función	Valor	Configuración
1	Modo de control (Use los canales 2~10 en este modo)	000 ⇔ 017 018 ⇔ 035 036 ⇔ 053 054 ⇔ 071 072 ⇔ 089 090 ⇔ 107 108 ⇔ 125 126 ⇔ 143 144 ⇔ 161 162 ⇔ 179 180 ⇔ 197 198 ⇔ 215 216 ⇔ 233 234 ⇔ 255	Modo manual Automático rápido color 1 Automático lento color 1 Automático rápido color 2 Automático lento color 2 Automático rápido color 3 Automático lento color 3 Automático rápido colores mezclados Automático lento colores mezclados Sonido color 1 Sonido color 2 Sonido color 3 Sonido colores mezclados Aleatorio (Automático)
2	Selección de patrón (Solo cuando el C.1 está entre 000~017)	000 ⇔ 255	32 patrones
3	Selección de color	000 ⇔ 024 025 ⇔ 049 050 ⇔ 074 075 ⇔ 099 100 ⇔ 124 125 ⇔ 149 150 ⇔ 174 175 ⇔ 199 200 ⇔ 224 225 ⇔ 255	Blackout Color preprogramado Color 1 Color 2 Color 3 Alternar Color 1/2 Alternar Color 2/3 Alternar Color 1/3 Alternar Color 1/2/3 Rotación de color
4	Velocidad de Cambio de Color	000 ⇔ 004 005 ⇔ 255	Parada Lento ⇔ rápido
5	Zoom	000 ⇔ 127 128 ⇔ 169 170 ⇔ 209 210 ⇔ 255	100%~5% Macro Zoom In Macro Zoom Out Macro Zoom In y Out
6	Movimiento Eje-X (Desplazamiento Lateral)	000 ⇔ 127 128 ⇔ 191 192 ⇔ 255	128 posiciones diferentes en el Eje-X Movimiento Izquierda a derecha a izquierda (lento ⇔ rápido) Movimiento Izquierda a derecha a izquierda (rápido ⇔ lento)
7	Movimiento Eje-Y (Inclinación)	000 ⇔ 127 128 ⇔ 191 192 ⇔ 255	128 posiciones diferentes en el Eje-Y Movimiento Arriba a abajo a Arriba (lento ⇔ rápido) Movimiento Arriba a abajo a Arriba (rápido ⇔ lento)
8	Rotación Eje-X	000 ⇔ 127 128 ⇔ 191 192 ⇔ 255	Rotación Eje-Y Rotación (lento ⇔ rápido) Rotación (rápido ⇔ lento)
9	Rotación Eje-Y	000 ⇔ 127 128 ⇔ 191 192 ⇔ 255	Rotación Eje-Y Rotación (lento ⇔ rápido) Rotación (rápido ⇔ lento)
10	Rotación	000 ⇔ 127 128 ⇔ 191 192 ⇔ 255	Rotación Eje-Z Rotación Sentido Horario Rotación Sentido Anti-Horario

Selección Patrón C. 2 DMX

VALOR DMX	PATRÓN	VALOR DMX	PATRÓN	VALOR DMX	PATRÓN
000~007		096~103		192~199	
008~015		104~111		200~207	
016~023		112~119		208~215	
024~031		120~127		216~223	
032~039		128~135		224~231	
040~047		136~143		232~239	
048~055		144~151		240~247	
056~063		152~159		248~255	
064~071		160~167			
072~079		168~175			
080~087		176~183			
088~095		184~191			

5. Información Técnica

Mantenimiento del Producto

El polvo acumulado reduce el rendimiento de la salida de luz y puede provocar sobrecalentamiento. Esto puede conducir a un acortamiento de la vida de la fuente de luz y a desgaste mecánico. Para mantener un rendimiento óptimo y minimizar el desgaste, limpie sus productos de iluminación al menos dos veces al mes. (El uso y las condiciones ambientales podrían hacer necesaria una limpieza más frecuente.)

- Desenchufe el producto de la alimentación.
- Espere a que el producto esté frío.
- Use un aspirador (o aire seco comprimido) y un cepillo suave para quitar el polvo depositado en la superficie externa y los orificios de aireación de los ventiladores.
- Limpie el panel de cristal (apertura del láser) con una solución suave de limpiador de cristales o alcohol isopropílico.
- Aplique la solución directamente sobre un paño suave de algodón que no deje pelusas o un paño de limpiar lentes, y arrastre el polvo y la suciedad a la parte externa del cristal.
- Con cuidado, frote la superficie de cristal hasta que no quede turbiedad ni pelusas.



Seque siempre con cuidado la superficie de cristal después de limpiarla.



NO gire el ventilador usando aire comprimido, puesto que podría estropearlo.

NO abra este producto para limpiarlo o repararlo.

Devoluciones

El usuario debe enviar la mercancía a portes pagados, en la caja original y con su embalaje y accesorios originales. CHAUVET® no expedirá etiquetas de devolución.

Llame a CHAUVET® y pida un número de Autorización de Devolución de la Mercancía (RMA) antes de enviar el producto. Esté preparado para proporcionar el número de modelo, número de serie y una breve descripción de la causa de la devolución.

El usuario tiene que etiquetar claramente el paquete con un número de Autorización de Devolución de la Mercancía (RMA). CHAUVET® rechazará cualquier producto devuelto sin un número de RMA.



NO escriba el número de RMA directamente sobre la caja. En vez de ello, escríbalo en una etiqueta convenientemente adherida.

Una vez que haya recibido el número de RMA, por favor incluya la siguiente información en una hoja de papel dentro de la caja:

- Su nombre
- Su dirección
- Su número de teléfono
- El número de RMA
- Una breve descripción del problema

Asegúrese de que empaqueta el producto adecuadamente. Cualquier daño en el transporte que resulte de un empaquetado inadecuado será responsabilidad del cliente.



CHAUVET® se reserva el derecho de usar su propio criterio para reparar o reemplazar productos devueltos.

Reclamaciones

El transportista es responsable de cualquier daño ocurrido durante el transporte de este producto o de cualquier pieza transportada con él. Por tanto, si la mercancía recibida presenta daños causados durante el transporte, el cliente debe enviar el informe sobre los daños y cualquier reclamación relacionada con los mismos al transportista, no a CHAUVET®. El cliente debe enviar el informe después de la recepción de la mercancía dañada. Si no lo hace a tiempo, puede quedar invalidada la reclamación del cliente al transportista. Para otras incidencias, como componentes o piezas que falten, daños no relacionados con el transporte o daños no evidentes, usted como cliente debe presentar una reclamación a CHAUVET® en el plazo de 7 días de la recepción del producto.

6. Especificaciones Técnicas

Dimensiones y Peso	Largo	Ancho	Alto	Peso
	11" (276 mm)	8,5" (215 mm)	7,4" (187 mm)	5,6 lb (2,7 kg)

Nota: Dimensiones en pulgadas redondeadas al dígito decimal más próximo

Alimentación	Tipo de Fuente de Alimentación	Rango	Selección de Tensión
	Conmutación (interna)	100~240 V, 50/60 Hz	Detección automática
Parámetro	120 V, 60 Hz	230 V, 50 Hz	
Consumo de energía	16 W	16 W	
Intensidad de trabajo (unidades)	0,2 A	0,1 A	
Alimentación en cadena (unidades)	37 unidades	74 unidades	
Fusible	T 1 A, 250 V	T 1 A, 250 V	
E/S Alimentación	Entrada	Salida	
Conectores	IEC	Edison (EEUU)	
Enchufe del cable	Edison (EEUU)	N/A	

Fuente de Luz

Scorpion™ GBC 2.0	Tipo	Alimentación	Longitud de Onda
	Láser (verde)	10 mW	532 nm
	Láser (azul)	20 mW	450 nm

Scorpion™ RGY	Tipo	Alimentación	Longitud de Onda
	Láser (rojo)	20 mW	650 nm
	Láser (verde)	10 mW	532 nm

Óptica Foto	Parámetro	Valor
	Rango de zoom	1°~36°
	Posición desplazamiento lateral	43°
	Posición inclinación	39°

Térmica	Temperatura Externa Máxima	Sistema de Refrigeración
	104° F (40° C)	Refrigeración por ventilador

DMX	Conectores E/S	Tipo de Conector	Rango de Canal
	XLR 3 pines	Conectores	10

Pedidos	Scorpion™ GBC 2.0	Scorpion™ RGY
	10060591	10060264

1. Avant de Commencer

Ce qui est Compris

- Un Scorpion™ GBC ou RGY
- Un Cordon d'Alimentation
- Une fiche de Garantie
- Un Manuel d'Utilisation




Instructions Relatives au Déballage

Déballer l'unité et vérifier l'emballage dès réception. Assurez-vous que toutes les éléments ont été livrés et paraissent en bon état. Si le contenu vous semble avoir été endommagé lors de l'expédition, indiquez-le à l'expéditeur immédiatement et non à CHAUVET®. De plus, gardez l'emballage et tous les matériaux d'emballage pour inspection.

Conventions de Texte

Convention	Signification
<Menu>	Un bouton sur lequel appuyer sur le panneau de commande de l'appareil
1 à 512	Une plage de valeurs
50/60	Un ensemble de valeurs parmi lequel on ne peut en choisir qu'une
Settings	Une option de menu à ne pas modifier (par exemple montrant le statut actuel/le mode de fonctionnement)
Menu > Settings	Une séquence d'options de menu à suivre
ON	Une valeur à saisir ou à sélectionner

Symboles

Symbole	Signification
	Consignes importantes en matière d'installation, de configuration et de fonctionnement. Le non-respect de ces consignes peut entraîner le non fonctionnement de l'appareil, ou lui causer des dommages. De même, l'utilisateur pourrait s'en trouver affecter.
	Consignes importantes en matière d'installation ou de configuration Il se peut que le laser ne fonctionne pas correctement si ces consignes ne sont pas respectées.
	Informations utiles.

Clause de non Responsabilité

Les informations et caractéristiques contenues dans ce manuel sont sujettes à changement sans préavis. CHAUVET® ne sera être tenu responsable pour toute erreur ou omission pouvant être contenue dans ce manuel. © **Copyright 2012 CHAUVET®. Tous droits réservés.** Imprimé en République populaire de Chine, publié par CHAUVET® aux États-Unis.

Auteur	Date
S. Diaz	07/08/12

Consignes de Sécurité



ATTENTION : l'utilisation d'instruments optiques en combinaison avec cet appareil augmentera le risque d'incident oculaire.

Les consignes concernant la sécurité reprennent d'importantes informations en matière d'installation, d'utilisation et de maintenance de l'appareil.

- Conservez ce manuel d'utilisation pour référence future. Si vous étiez amené à vendre cet appareil à un autre utilisateur, veillez à leur remettre ce document également.
- Veillez toujours à ce que la tension de la prise à laquelle vous branchez l'appareil soit comprise dans la plage indiquée sur l'étiquette ou l'arrière de l'appareil.
- Cet appareil doit être utilisé en intérieur uniquement ! Afin d'éviter tout risque d'incendie ou de décharge électrique, veillez à n'exposer cet appareil ni à la pluie ni à l'humidité.
- Ne laissez aucun produit inflammable près de l'appareil lorsque celui-ci fonctionne.
- Installez toujours cet appareil dans un endroit bien ventilé, à au moins 20 pouces (50 cm) des surfaces adjacentes. Assurez-vous qu'aucune fente de ventilation ne soit obstruée.
- Déconnectez toujours cet appareil de l'alimentation principale avant de procéder à tout entretien ou remplacement le fusible.
- Veillez à remplacer le fusible avec un de même type et même ampérage.
- Lorsque vous montez cet appareil en hauteur, utilisez toujours une élingue de sécurité pour le sécuriser au dispositif de fixation.
- La température ambiante (Ta) maximale supportée par cet appareil est de 104° F (40° C). Ne le faites pas fonctionner à des températures plus élevées.
- En cas de sérieux problèmes de fonctionnement, arrêtez l'unité immédiatement. N'essayez jamais de réparer l'unité vous-même. Toute réparation effectuée par une personne non qualifiée peut entraîner des dommages ou un fonctionnement erratique de l'appareil. Mettez-vous en relation avec le centre d'assistance technique autorisé le plus près de chez vous.
- Ne connectez jamais cet appareil à un pack gradateur.
- Assurez-vous que le cordon d'alimentation n'est ni tordu ni endommagé.
- Ne débranchez jamais cet appareil en tirant sur le cordon.
- Ne transportez jamais l'appareil par son cordon d'alimentation ou toute pièce mobile. Utilisez toujours la lyre de suspension ou les poignées.
- Quand cette unité est en marche, évitez tout contact des yeux avec la source lumineuse.
- Les lasers peuvent s'avérer dangereux et font l'objet de consignes de sécurité spécifiques. Une mauvaise utilisation des lasers pourrait entraîner une cécité totale ou causer des lésions oculaires. Portez une attention particulière aux libellés portant la mention AVERTISSEMENT ou REMARQUE dans ce manuel d'utilisation. Lisez et assimilez toutes les consignes AVANT de mettre cet appareil en marche pour la première fois.



- **Lumière laser : évitez tout contact direct avec les yeux ! N'exposez jamais intentionnellement directement vos yeux ou ceux d'autres personnes à la lumière du laser.**
- **Cet appareil laser peut entraîner une cécité totale ou causer des lésions oculaires instantanées si le laser entre en contact direct avec les yeux;**
- **Il est illégal et dangereux de diriger ce laser vers les zones destinées au public, zones où les yeux des membres du public ou du personnel pourraient être en contact direct avec les rayons laser ou des réflexissements lumineux.**
- **Ne pointez pas de laser sur les avions, ceci est répréhensible par la loi.**
- **Le non-respect des procédures de fonctionnement, des commandes ou des ajustements repris dans ce manuel pourrait résulter en une exposition dangereuse au laser.**
- **Cet appareil ne contient aucun composant susceptible d'être réparé par l'utilisateur. N'ouvrez pas le boîtier du laser et n'essayez pas de la réparer vous-même. Au cas improbable où votre unité devrait être amenée en réparation, veuillez prendre contact avec le revendeur le plus proche de chez vous.**

**Avertissement:
Boîtier non
Verrouillable**

**Consignes
de Sécurité
Relatives au
Laser**

- Cet appareil renferme un laser très puissant.
- N'ouvrez jamais le boîtier du laser, vous pourriez être exposé à des niveaux dangereux de radiation laser.
- L'intensité du laser à l'ouverture du boîtier peut entraîner une cécité, des brûlures cutanées ou des incendies instantanément.



PRENEZ LE TEMPS DE LIRE ET ASSIMILEZ LES CONSIGNES DE SÉCURITÉ RELATIVES AU LASER CI-DESSOUS.

La lumière d'un laser est très différente de toute autre source de lumière que vous pouvez connaître. La lumière émise par cet appareil peut entraîner des lésions oculaires si celui-ci n'est pas correctement installé et utilisé. Elle est de milliers de fois plus concentrée que toute autre source lumineuse. Cette concentration de lumière peut causer des blessures oculaires instantanées, essentiellement par une brûlure de la rétine (l'arrière de votre œil contient des cellules extrêmement sensibles à la lumière). Même si vous ne ressentez pas de "chaleur" provenant du faisceau lumineux, il peut quand même être à l'origine de blessure ou de cécité, pour vous ou votre public. Une faible radiation en provenance du faisceau lumineux du laser peut s'avérer potentiellement dangereuse, même à de longues distances. Des blessures oculaires dues au laser peuvent survenir avant même que vous n'ayez eu le temps de cligner des yeux. Il serait erroné de croire que puisque les appareils laser destinés au divertissement ont recours à un faisceau laser balayé rapidement, un faisceau laser individuel est sans danger pour les yeux. Il serait également erroné de croire que puisque la lumière laser est mobile, elle est inoffensive. Tout au contraire. Par ailleurs, elle n'est pas toujours mobile. Puisque les blessures oculaires peuvent apparaître instantanément, il est indispensable d'empêcher la moindre exposition directe des yeux. Selon la réglementation de sécurité relative aux lasers, il est interdit de diriger des lasers de classe IIIa là où le public pourrait être en contact avec ces faisceaux. Ceci est également valable s'ils sont dirigés en dessous du visage des gens, tels qu'une piste de danse.



- Ne faites pas fonctionner le laser avant d'avoir lu et compris toutes les données techniques et de sécurité contenues dans ce manuel.
- Veuillez toujours configurer et installer les effets laser de manière à ce que leur lumière soit projetée à minimum 3 mètres (9,8 pieds) au-dessus du sol sur lequel les gens se tiennent. Voir le chapitre "Utilisation adéquate" ci-après dans ce manuel.
- Après installation et avant utilisation publique, veuillez tester le laser afin de vous assurer de son bon fonctionnement. Ne l'utilisez pas si vous détectez un défaut.
- Lumière laser : évitez l'exposition directe avec les yeux.
- Ne pointez pas le laser sur les gens ou les animaux.
- Ne regardez jamais l'ouverture ou les faisceaux laser.
- Ne pointez pas de lasers dans les endroits où les gens pourraient potentiellement y être exposés, tels que les balcons sans surveillance, etc.
- Ne pointez pas de laser sur des surfaces réfléchissantes, telles que fenêtres, miroirs, métal réverbérant. Même les reflets des lasers peuvent être dangereux.
- Ne pointez pas de laser sur les avions, ceci est répréhensible par la loi.
- Ne pointez pas des faisceaux de laser très longue portée dans le ciel.
- N'exposez pas la sortie optique (ouverture) à des produits chimiques.
- N'utilisez pas le laser s'il apparaît qu'il n'émet qu'un ou deux faisceaux.
- N'utilisez pas le laser si le boîtier est endommagé, ouvert, ou si l'optique semble endommagée en quoique ce soit.
- N'ouvrez pas le boîtier du laser. La forte intensité du laser à l'intérieur du boîtier de protection peut entraîner des incendies, des brûlures corporelles ou des blessures oculaires instantanées.
- Ne laissez jamais l'appareil fonctionner sans surveillance.
- Le fonctionnement d'appareils laser de classe IIIa n'est autorisé que s'il est contrôlé par un utilisateur expérimenté et adéquatement formé, ayant assimilé les données présentées dans ce manuel.
- Les obligations légales d'utilisation des produits laser pour les loisirs varient de pays en pays. L'utilisateur est tenu de respecter les obligations légales du pays/de la salle dans lequel il l'utilise.
- Utilisez toujours des élingues de sécurité pour éclairage lors de la suspension d'appareils d'éclairage et de projecteurs à effets en hauteur.

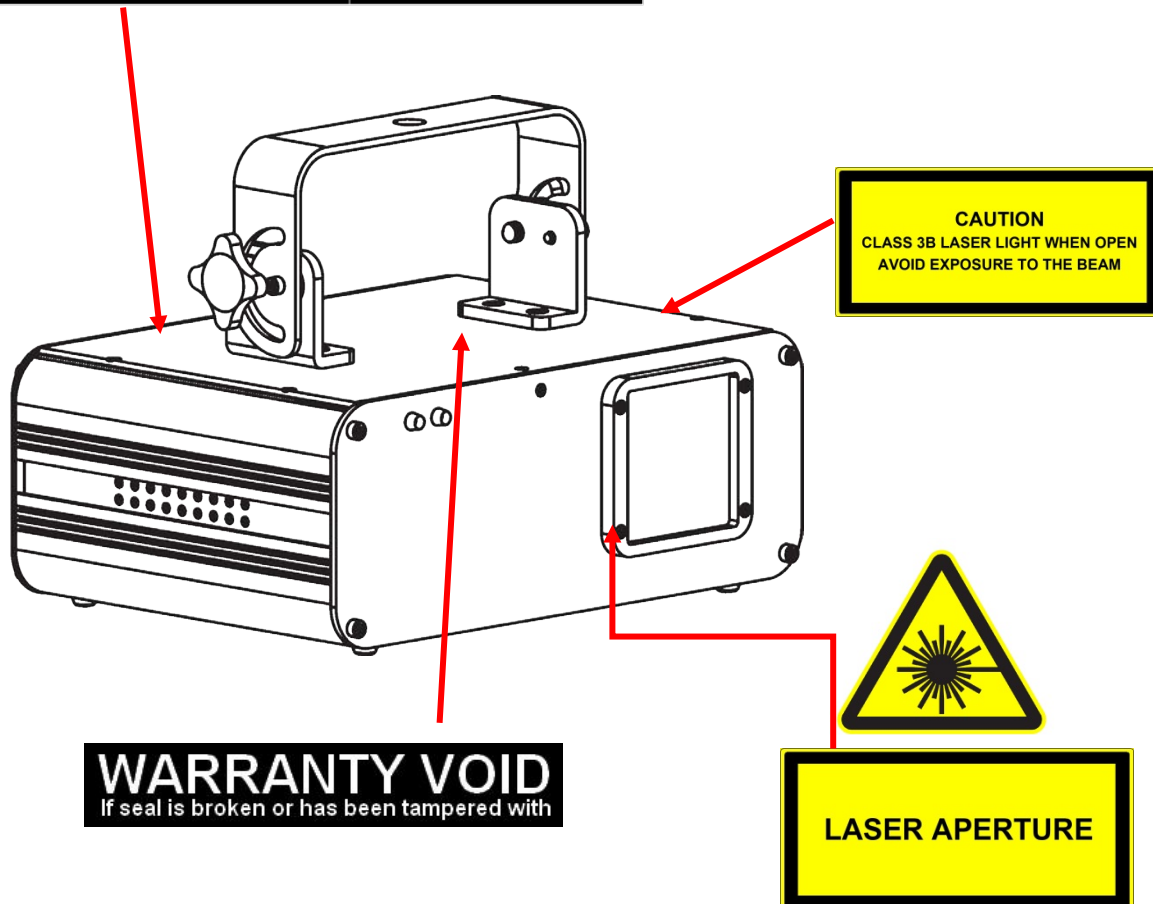
Étiquettes de Sécurité du Laser

<p>LASER LIGHT AVOID DIRECT EYE EXPOSURE CLASS IIIa LASER PRODUCT <5mW 532nm & 450nm 300mSec-CW Classified per 21 CFR 14040.10 & 11</p>	<p>CHAUVET Lighting 5200NW 108th Avenue Sunrise, FL 33351</p>
<p>Complies with US FDA CDRH laser safety standards 21 CFR 1040.10 & 1040.11</p>	
<p>CHAUVET Value · Innovation · Performance</p>	<p>WORLDWIDE HEADQUARTERS CHAUVET Sunrise, FLORIDA USA</p>
<p>NAME: Scorpion™ GBC 2.0 ITEM CODE: 10060591 VOLTAGE: 100~240 VAC, 50/60 Hz FUSE: T 1 A, 250 V CURRENT: 0.2 A @ 120 V POWER: 16 W POWER LINKING MAX: 37 UNITS LIGHT SOURCE: Laser Diode ORIGIN: Made in P.R.C.</p>	<p>THIS APPLIANCE MUST BE GROUNDED</p> <p>USE ONLY FUSE OF SAME TYPE & RATING</p> <p>DISCONNECT FROM MAINS BEFORE SERVICING</p> <p>FOR INDOOR USE ONLY</p>

NOTICE

Étiquettes du Scorpion™
 GBC 2.0

L'étiquette apposée sur votre
 appareil vous indiquera de
 quel modèle de Scorpion™
 vous disposez entre le
 GBC 2.0 ou le RGY.



Données d'Emission Laser



**AVERTISSEMENT
D'EXPOSITION AU LASER**



Lumière laser : évitez tout contact direct avec les yeux !

Des lignes directrices et programmes de sécurité supplémentaires pour une utilisation des lasers en toute sécurité peuvent être consultés dans le texte de la norme ANSI Z136.1 "For Safe Use of Lasers" ("Pour une utilisation des lasers en toute sécurité"), disponible sur le site www.laserinstitute.org du Laser Institute of America. Une multitude de gouvernements, grandes entreprises, agences, forces armées et autres, exige que les utilisateurs d'appareils laser suivent les lignes directrices de la norme ANSI Z136.1. Le guide des spectacles laser peut être obtenu auprès de l'International Laser Display Association (l'association internationale du spectacle laser) sur leur site www.laserist.org.

Scorpion™ GBC 2.0

Classification du laser	Classe IIIa
Laser vert	DPSS Nd: YVO4, 532 nm
Laser bleu	450 nm, GaN
Diamètre de faisceau	< 15 mm à l'ouverture
Données d'impulsion	Toute impulsion < 4 Hz (>0,25 s)
Divergence (chaque faisceau)	<2 mrad
Puissance du laser pour classification via ouverture de 7 mm*	<5 mW

Scorpion™ RGY

Classification du laser	Classe IIIa
Laser rouge	GaAlAs, 650 nm
Laser vert	532 nm, DPSS Nd : YV04
Diamètre de faisceau	<15 mm à l'ouverture
Données d'impulsion	Toute impulsion <4 Hz (>0,25 s)
Divergence (chaque faisceau)	<2 mrad
Puissance du laser pour classification via ouverture de 7 mm*	<5 mW

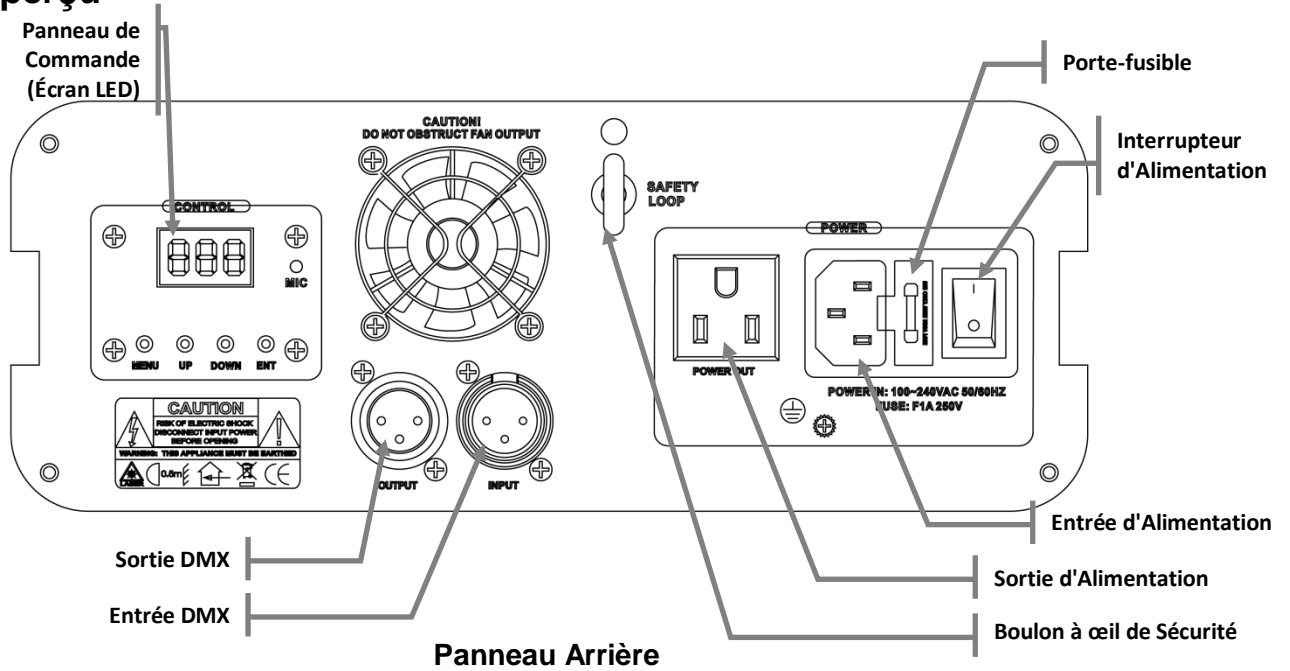
* Comme mesuré selon les conditions de mesure CEI pour la classification.

Déclaration de Conformité du Laser

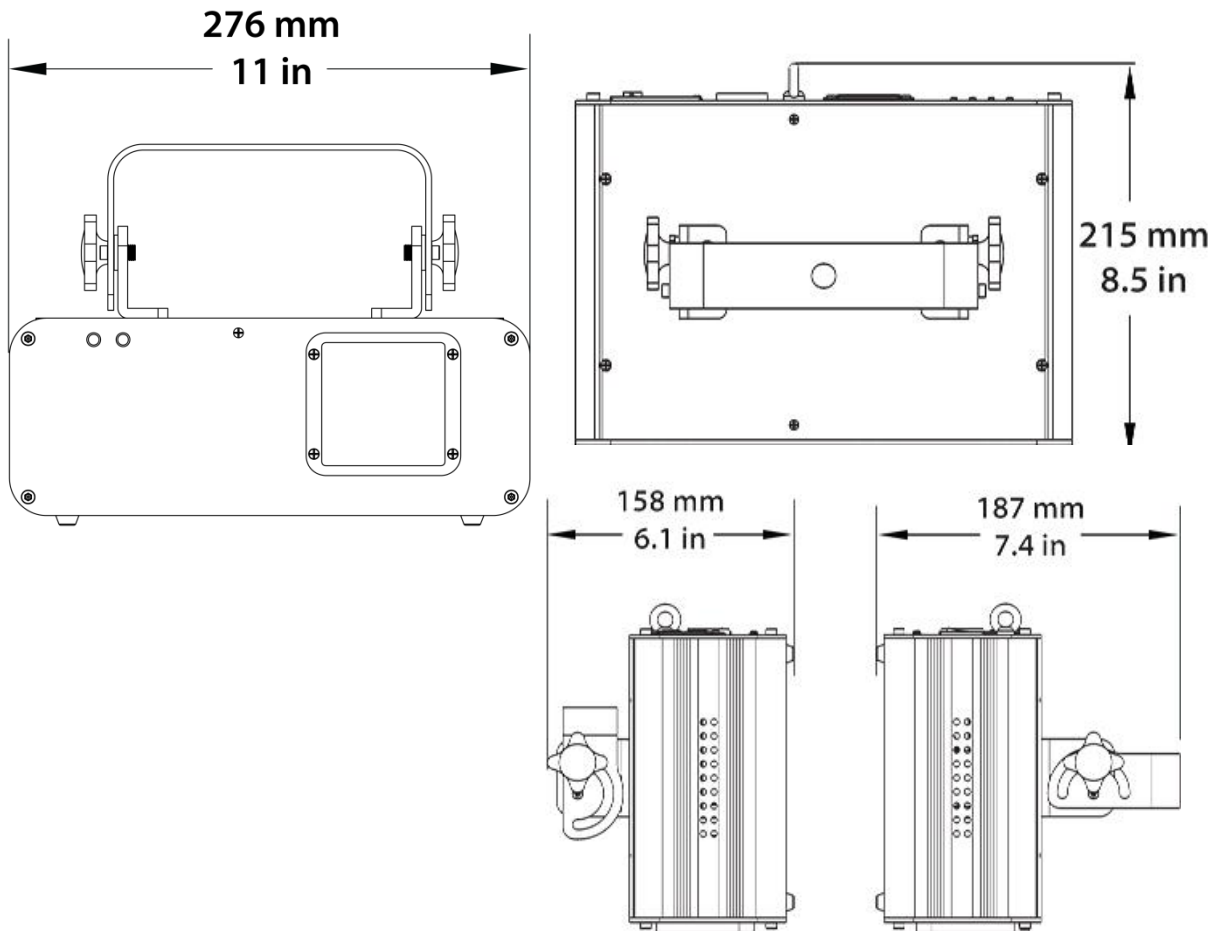
Cet appareil laser répond aux normes de sécurité des lasers 21 CFR 1040.10 et 1040.11 CDRH telles qu'établies par la FDA. Ce laser est considéré de classe IIIa. (La classe 3R est l'équivalent international de la classification IIIa aux États-Unis). Aucune maintenance n'est nécessaire pour le maintien de la conformité aux normes de performance laser de cet appareil.

2. Introduction

Aperçu



Dimensions



3. Configuration

Alimentation CA

Cet appareil est doté d'une alimentation universelle prenant en charge toute tension d'entrée comprise entre 100 et 240 VCA, 50/60 Hz. Veuillez consulter l'étiquette apposée sur le panneau arrière de l'unité ou au tableau des spécificités. La capacité nominale affichée indique la consommation courante dans des conditions normales d'utilisation.



Connectez toujours l'appareil à un circuit protégé (disjoncteur ou fusible). Assurez-vous que l'appareil soit correctement relié à la terre avant d'éviter tout risque d'électrocution ou d'incendie.



Ne connectez jamais cet appareil à un rhéostat (résistance variable) ou un circuit voleur, même si vous n'avez l'intention de vous servir du rhéostat ou canal de gradation que comme interrupteur 0 à 100 %.

Connexion Electrique

Il est possible de relier l'appareil électriquement à d'autres au moyen de la prise Edison située à l'arrière de celui-ci.

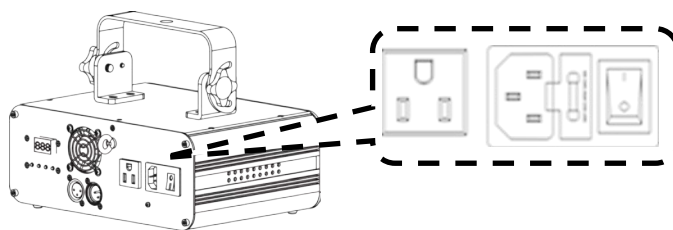
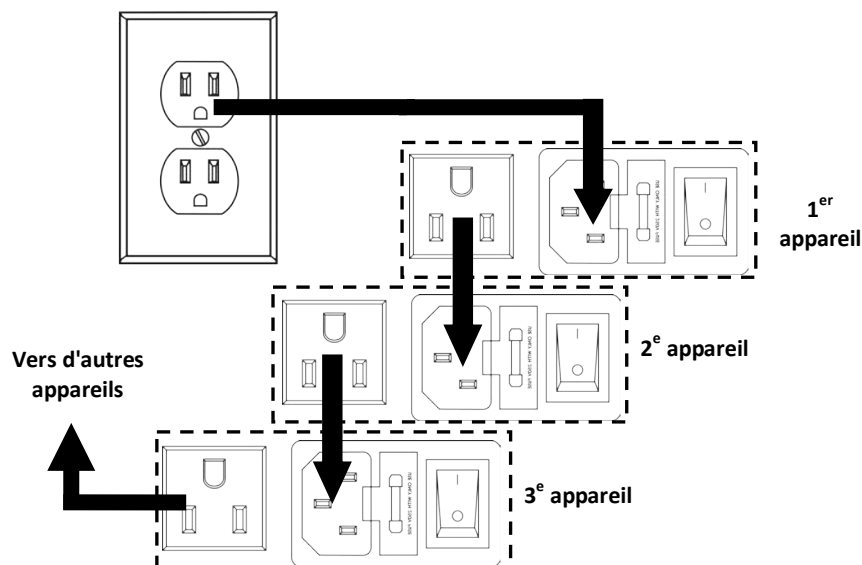


Diagramme de Raccordement d'Alimentation



Vous pouvez chaîner jusqu'à 37 Scorpion™ GBC 2.0 en 120 VCA ou 74 Scorpion™ GBC 2.0 en 230 VCA.



Vous pouvez chaîner jusqu'à 39 Scorpion™ RGY en 120 VCA ou 63 Scorpion™ RGY en 230 VCA.



Le schéma de raccordement d'alimentation ci-dessus correspond UNIQUEMENT à la version américaine de cet appareil ! Si vous utilisez un appareil en dehors des États-Unis, consultez impérativement votre revendeur local CHAUVET® car il se pourrait que les connecteurs et exigences de raccordement varient d'un pays ou d'une région à l'autre.

Installation

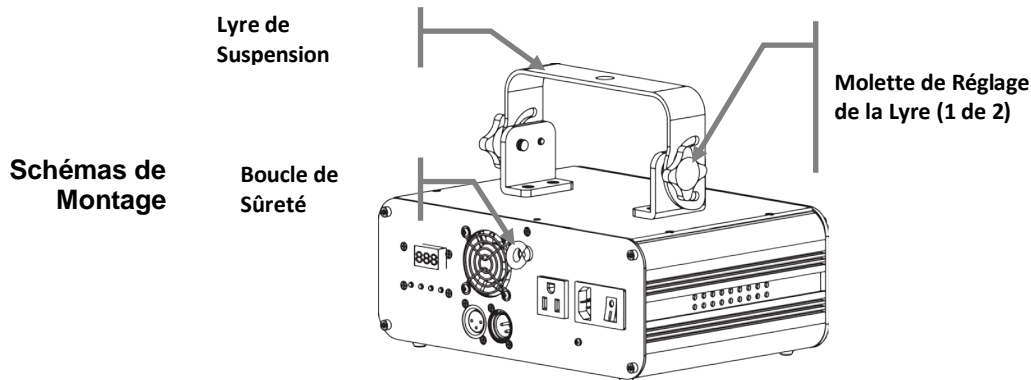
Orientation Les Scorpion™ GBC 2.0 et RGY peuvent être montés dans n'importe quelle position, pour autant d'assurer une ventilation adéquate.

Suspension Assurez-vous que la structure sur laquelle vous montez ce produit puisse en supporter le poids. Veuillez vous référer à la section Spécificités techniques de ce manuel pour y retrouver les informations relatives au poids.

Garantissez un montage de l'appareil en toute sécurité. Vous pouvez le faire au moyen d'une vis, d'un écrou ou d'un boulon. Vous pouvez également utiliser un clip de fixation si vous montez cet appareil sur une structure. Utilisez toujours une élingue de sécurité. Avant de choisir un emplacement pour l'appareil, assurez-vous qu'il soit facile d'y accéder pour toute opération de maintenance et de programmation.

Lors du raccordement en alimentation de multiples unités, prenez toujours en considération la longueur du câble de raccordement et montez les unités assez proches l'une de l'autre en vous assurant que le câble puisse y être connecté.

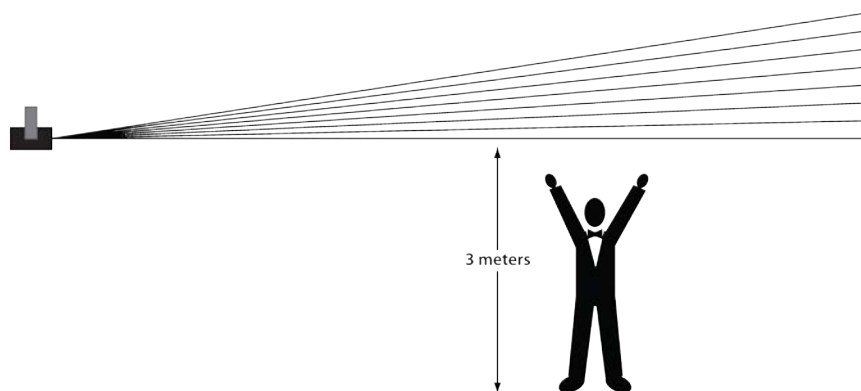
Les molettes de réglage de la fixation permettent de positionner l'appareil à l'angle désiré. N'utilisez pas d'outils pour dévisser ou resserrer les molettes de réglage, vous pourriez les endommager.



Utilisation Appropriée

Cet appareil doit être monté en hauteur uniquement. Pour des raisons de sécurité, CHAUVET® recommande de monter vos éclairages sur une plateforme élevée stable ou des supports en hauteur renforcés au moyen de systèmes de suspension adéquats. Vous devez, dans tous les cas, utiliser des élingues de sécurité. Le matériel de montage approprié peut être acquis auprès de votre revendeur.

Les réglementations internationales en matière de sécurité des appareils laser exigent que ceux-ci soient installés de manière à ce qu'un minimum de 3 mètres de séparation à la verticale existe entre le sol et la lumière laser la plus basse projetée. De plus, une séparation de 3 mètres à l'horizontal doit être respectée entre toute lumière laser émise et les membres du public ou autres espaces publics.



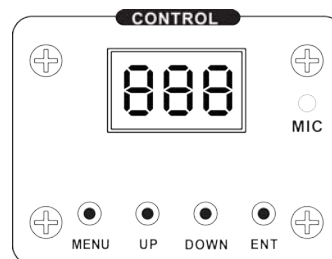
ATTENTION : LE NON-RESPECT DES PROCEDURES DE FONCTIONNEMENT, DES COMMANDES OU DES AJUSTEMENTS REPRIS DANS CE MANUEL POURRAIT RESULTER EN UNE EXPOSITION DANGEREUSE AU LASER.

4. Fonctionnement

Fonctionnement du Panneau de Commande

Pour accéder aux fonctions du panneau de commande, utilisez les quatre boutons situés sous l'écran.

Bouton	Fonction
<MENU>	Appuyez pour trouver un mode de fonctionnement ou pour sortir de l'option de menu en cours
<DOWN>	Appuyez pour parcourir vers le bas la liste des options ou trouver une valeur inférieure
<UP>	Appuyez pour parcourir vers le haut la liste des options ou trouver une valeur supérieure
<ENT>	Appuyez pour activer une option de menu ou une valeur sélectionnée



Arborescences du Menu

Les structures du menu des appareils Scorpion™ GBC 2.0 et RGY comportent 7 arborescences comme suit :

- Auto/Son (13 options)
- Couleur de Laser Sky (4 options)
- Effet de Laser Sky (1 option)
- Sensibilité au son (10 options)
- Adresse DMX (503 options)
- Esclave (1 option)
- Inversé (2 options avec 2 valeurs chacune)
- **Le panneau de commande se souviendra de la dernière configuration programmée, même une fois l'unité éteinte.**
- **De plus, le panneau de commande se souviendra de la dernière option sélectionnée de chaque arborescence de menu.**



Modifier les Options sur l'Arborescence de Menu Actuelle

Pour modifier une option sur la même arborescence de menu, faites comme suit :

1. Pressez <MENU> une fois (l'écran LED clignotera).
2. Pressez <UP> ou <DOWN> jusqu'à ce que l'option de menu désirée s'affiche sur l'écran LED.
3. Pressez <ENT> pour accepter la nouvelle option (celle-ci s'affichera en continu sur l'écran LED).

Modifier les Options sur une Arborescence de Menu Différente

Pour modifier une option sur une arborescence de menu différente, il vous faut sortir de l'arborescence actuelle.

1. Pressez <MENU> une fois (l'écran LED clignotera).
2. Pressez <MENU> plusieurs fois jusqu'à ce qu'il soit indiqué que l'arborescence de menu désirée est activée.
3. Pressez <UP> ou <DOWN> jusqu'à ce que l'option de menu désirée dans la nouvelle arborescence de menu s'affiche sur l'écran LED.
4. Pressez <ENT> pour accepter la nouvelle option (celle-ci s'affichera en continu sur l'écran LED).

Options du Menu



Ce menu correspond au deux différents produits CMJ, GBC 2.0 et RGY, comportant chacun une palette de couleurs différente.

Modèle	Couleur 1	Couleur 2	Couleur 3
GBC 2.0	Vert	Bleu	Cyan
RGY	Rouge	Vert	Jaune

Arborescence	Étapes de programmation	Description	
Auto/Sound	AF1	Programme rapide montre la couleur 1	
	AS1	Programme lent montre la couleur 1	
	AF2	Programme rapide montre la couleur 2	
	AS2	Programme lent montre la couleur 2	
	AF3	Programme rapide montre la couleur 3	
	AS3	Programme lent montre la couleur 3	
	AFM	Programme rapide avec alternance de couleurs de 1 à 3	
	ASM	Programme lent avec alternance de couleurs de 1 à 3	
	So1	Programme musical montre la couleur 1	
	So2	Programme musical montre la couleur 2	
	So3	Programme musical montre la couleur 3	
	SoM	Programme musical avec alternance de couleurs de 1 à 3	
rdM	Sélectionne aléatoirement un mode de fonctionnement		
Laser Sky Color	LS1	L'effet de Laser Sky montre la première couleur du produit	
	LS2	L'effet de Laser Sky montre la deuxième couleur du produit	
	LS3	L'effet de Laser Sky montre la troisième couleur du produit	
	LSS	Effet de Laser Sky déclenché par le son avec alternance de couleurs	
Laser Sky Effect	LSU	Configuration de la position d'effet de Laser Sky	
Sound sensitivity	S 0 à S 9	Ajuste la sensibilité du microphone interne	
DMX	001 à 503	Sélectionne l'adresse DMX de départ (1 à 503)	
Slave	SLA	Configure l'unité sur "Esclave" en fonctionnement maître/esclave	
Reverse	rEv	P-y/P-n	Inverse la direction de mouvement de pan
		t-y/t-n	Inverse la direction de mouvement de tilt

Configuration

Mode DMX

Configurer cet appareil afin qu'il fonctionne en mode DMX vous permettra de le commander sans jeu d'orgues DMX.

1. Branchez l'appareil à une prise adéquate.
2. Mettez l'appareil en marche.
3. Connectez un câble DMX de la sortie DMX du jeu d'orgues DMX à l'entrée DMX sur cet appareil.

Adresse de Départ

Au moment de sélectionner une adresse DMX de départ, gardez toujours à l'esprit le nombre de canaux DMX assigné au mode DMX sélectionné. Si vous choisissez une adresse de départ trop élevée, vous pourriez restreindre l'accès à certains canaux du mode DMX utilisé.

Les Scorpion™ GBC 2.0 et RGY utilisent **10** canaux DMX, ce qui permet la configuration de l'adresse la plus élevée à **503**.

Si vous n'êtes pas familier avec le protocole DMX, consultez l'introduction au DMX dans le chapitre "*Informations techniques*".

Pour sélectionner l'adresse de départ, faites comme suit :

1. Pressez le bouton **<MENU>** à répétition jusqu'à atteindre l'adresse de départ désirée (**001** à **503**) qui clignotera à l'écran.
2. Utilisez **<UP>** ou **<DOWN>** pour sélectionner une adresse de départ différente (**001** à **503**).
3. Pressez **<ENT>** (la nouvelle adresse de départ s'affichera en continu sur l'écran).

Modes Autonomes



Ne connectez jamais un appareil en fonctionnement en mode autonome, qu'il s'agisse du mode statique, automatique ou musical, à une chaîne DMX reliée à un jeu d'orgues DMX. Les unités en mode autonome pouvant en effet transmettre un signal DMX pouvant interférer avec les signaux DMX du jeu d'orgues.

Configurer cet appareil afin qu'il fonctionne en mode DMX vous permettra de le commander sans jeu d'orgues DMX.

1. Branchez l'appareil à une prise adéquate.
2. Mettez l'appareil en marche.

Mode Musical

Pour activer le mode musical, faites comme suit :


1. Pressez **<MENU>** plusieurs fois jusqu'à ce que l'option active de l'arborescence auto/musical (de **AF1** à **rdM**) apparaisse à l'écran.
2. Utilisez **<UP>** ou **<DOWN>** pour sélectionner un programme à déclenchement par le son (de **So1** à **SoM**).
3. Pressez **<ENT>** (le nouveau programme musical s'affichera en continu à l'écran).
4. Lancez la musique.
5. Pressez **<MENU>** plusieurs fois jusqu'à ce que l'option active de l'arborescence musicale (de **S 0** à **S 9**) clignote à l'écran.
6. Utilisez **<UP>** ou **<DOWN>** pour déterminer le niveau de sensibilité au son (de **S 0** à **S 9**).
7. Pressez **<ENT>** (la nouvelle sensibilité au son s'affichera en continu à l'écran).



L'unité ne répondra qu'aux basses fréquences de la musique (basse et batterie).



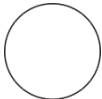


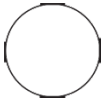

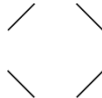

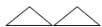


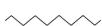
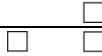



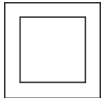



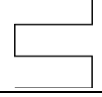
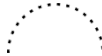


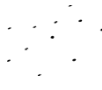
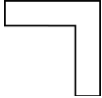







REMARQUE : Les Scorpions™ répondent différemment à la musique même si le mode musical sélectionné (de **S 0 à **S 9**) est le même. Pour garantir un effet à l'unisson de plusieurs lasers, chaînez-les ensemble en mode maître/esclave. Les unités esclaves fonctionneront selon la configuration du mode musical de l'unité maître.**

Mode Automatique	<p>Pour activer le mode automatique, suivez les instructions ci-après :</p> <ol style="list-style-type: none"> 1. Pressez <MENU> plusieurs fois jusqu'à ce que l'option active de l'arborescence musicale (de S 0 à S 9) clignote à l'écran. 2. Utilisez <UP> ou <DOWN> pour sélectionner un programme automatique (de AF1 à ASM). 3. Pressez <ENT> (le nouveau programme automatique s'affichera en continu à l'écran).
Mode Laser Couleur du Ciel	<p>Pour activer le mode de couleur Laser Sky, suivez les instructions ci-après :</p> <ol style="list-style-type: none"> 1. Pressez <MENU> plusieurs fois jusqu'à ce que l'option active de l'arborescence du mode Laser Sky (de LS1 à LSS) clignote à l'écran. 2. Utilisez <UP> ou <DOWN> pour sélectionner une option de couleur Laser Sky (de LSE à LSS). 3. Pressez <ENT> (la nouvelle couleur Laser Sky s'affichera en continu à l'écran).
Effet de Mode Ciel au Laser	<p>Pour activer le mode d'effets Laser Sky, suivez les instructions ci-après :</p> <ol style="list-style-type: none"> 1. Pressez <MENU> plusieurs fois jusqu'à ce que LSU clignote à l'écran. 2. Utilisez <UP> ou <DOWN> pour modifier l'angle de l'effet Laser Sky. 3. Pressez <ENT> (LSU s'affichera en continu à l'écran).
Mouvement Reverse (Inversé)	<p>Pour inverser le sens des mouvements de tilt et pan, suivez les instructions ci-dessous :</p> <ol style="list-style-type: none"> 1. Pressez <MENU> plusieurs fois jusqu'à ce que rEv clignote à l'écran. 2. Pressez <ENT> (l'option de mouvement de pan actuelle indiquera P-n ou P-Y). <ol style="list-style-type: none"> a) Pour modifier la configuration, utilisez <UP> ou <DOWN> puis passez à l'étape "3". b) Pour conserver la configuration, passez à l'étape "3". 3. Pressez <ENT> (l'option de mouvement de tilt actuelle indiquera t-n ou t-Y). <ol style="list-style-type: none"> a) Pour modifier la configuration, utilisez <UP> ou <DOWN> puis passez à l'étape "4". b) Pour conserver la configuration, passez à l'étape "4". 4. Pressez <ENT> (la version actuelle du logiciel s'affichera brièvement à l'écran, suivie de rEv).
Mode Maître/Esclave	<p>Ce mode permet à un seul Scorpion™ GBC 2.0 ou RGY (l'unité "maître") de commander les actions d'un ou plusieurs Scorpion™ GBC 2.0 ou RGY (les unités "esclaves") sans avoir recours à un jeu d'orgues DMX. L'unité maître sera configurée de manière à fonctionner soit en mode automatique soit en mode musical, soit en mode Laser Sky tandis que les unités esclaves seront configurées en mode esclave. Une fois configurées et connectées, les unités esclaves fonctionneront à l'unisson avec l'unité maître.</p> <p>Configurez les unités comme indiqué ci-dessous.</p> <p>Unités esclaves :</p> <ol style="list-style-type: none"> 1. Pressez <MENU> plusieurs fois jusqu'à ce que SLA clignote à l'écran. 2. Pressez <ENT> (SLA s'affichera en continu à l'écran). 3. Connectez l'entrée DMX de la première unité esclave à la sortie DMX de l'unité maître. 4. Connectez l'entrée DMX de l'unité esclave suivante à la sortie DMX de l'unité esclave précédente. 5. Terminez la configuration et raccordez toutes les unités esclaves. <p>Unité maître :</p> <ol style="list-style-type: none"> 1. Configurez l'unité maître afin qu'elle fonctionne soit en mode automatique soit en Laser Sky soit en mode musical, comme indiqué précédemment. 2. Placez l'unité maître en début de la chaîne DMX. <ul style="list-style-type: none"> • Attendez que toutes les unités esclaves aient été configurées et connectées avant de raccorder l'unité maître à la chaîne DMX. • Ne connectez jamais de jeu d'orgues DMX à une chaîne DMX configurée en fonctionnement maître/esclave car cela pourrait interférer avec les signaux de l'unité maître. <p> Ne connectez jamais plus de 31 unités esclave à l'unité maître.</p>

Valeurs et Assignations de Canaux DMX

Canal	Fonction	Valeur	Configuration
1	Mode de commande (Utilisez les canaux 2 à 10 dans ce mode)	000 ⇔ 017 018 ⇔ 035 036 ⇔ 053 054 ⇔ 071 072 ⇔ 089 090 ⇔ 107 108 ⇔ 125 126 ⇔ 143 144 ⇔ 161 162 ⇔ 179 180 ⇔ 197 198 ⇔ 215 216 ⇔ 233 234 ⇔ 255	Mode manuel Couleur 1 automatique rapide Couleur 1 automatique lente Couleur 2 automatique rapide Couleur 2 automatique lente Couleur 3 automatique rapide Couleur 3 automatique lente Couleurs mélangées automatiques rapides Couleurs mélangées automatiques lentes Couleur 1 en musical Couleur 2 en musical Couleur 3 en musical Couleurs mélangées en musical Aléatoire (auto)
2	Sélection de motif (quand le canal 1 est compris entre 000 et 017)	000 ⇔ 255	32 motifs
3	Sélection de couleurs	000 ⇔ 024 025 ⇔ 049 050 ⇔ 074 075 ⇔ 099 100 ⇔ 124 125 ⇔ 149 150 ⇔ 174 175 ⇔ 199 200 ⇔ 224 225 ⇔ 255	Noir général Couleur préprogrammée Couleur 1 Couleur 2 Couleur 3 Couleurs alternées 1 et 2 Couleurs alternées 2 et 3 Couleurs alternées 1 et 3 Couleurs alternées 1, 2 et 3 Roulement de couleurs
4	Vitesse de changement des couleurs	000 ⇔ 004 005 ⇔ 255	Arrêt Lent ⇔ rapide
5	Zoom	000 ⇔ 127 128 ⇔ 169 170 ⇔ 209 210 ⇔ 255	100% à 5% Macro de zoom avant Macro de zoom arrière Macro de zoom avant et arrière
6	Mouvement sur l'axe X (pan)	000 ⇔ 127 128 ⇔ 191 192 ⇔ 255	128 positions différentes sur l'axe Y Mouvement de gauche à droite à gauche (de lent à ⇔rapide) Mouvement de gauche à droite à gauche (de rapide à ⇔lent)
7	Mouvement sur l'axe Y (tilt)	000 ⇔ 127 128 ⇔ 191 192 ⇔ 255	128 positions différentes sur l'axe X Mouvement de haut en bas en haut (de lent à ⇔rapide) Mouvement de haut en bas en haut (de rapide à ⇔lent)
8	Roulement sur l'axe X	000 ⇔ 127 128 ⇔ 191 192 ⇔ 255	Roulement sur l'axe Y Roulement (de lent à ⇔rapide) Roulement (de rapide à ⇔lent)
9	Roulement sur l'axe Y	000 ⇔ 127 128 ⇔ 191 192 ⇔ 255	Roulement sur l'axe Y Roulement (de lent à ⇔rapide) Roulement (de rapide à ⇔lent)
10	Rotation	000 ⇔ 127 128 ⇔ 191 192 ⇔ 255	Roulement sur l'axe Z Rotation dans le sens des aiguilles d'une montre Rotation dans le sens contraire des aiguilles d'une montre

Sélection de Motif pour le Canal DMX n°2

VALEURS DMX	MOTIF	VALEURS DMX	MOTIF	VALEURS DMX	MOTIF
000 à 007		096 à 103		192 à 199	
008 à 015		104 à 111		200 à 207	
016 à 023		112 à 119		208 à 215	
024 à 031		120 à 127		216 à 223	
032 à 039		128 à 135		224 à 231	
040 à 047		136 à 143		232 à 239	
048 à 055		144 à 151		240 à 247	
056 à 063		152 à 159		248 à 255	
064 à 071		160 à 167			
072 à 079		168 à 175			
080 à 087		176 à 183			
088 à 095		184 à 191			

5. Informations Techniques

Entretien de l'Appareil

L'accumulation de poussière réduit la sortie de lumière et peut entraîner une surchauffe de l'appareil. La durée de vie de la source lumineuse peut s'en trouver réduite et le mécanisme usé. Pour un fonctionnement optimal et une usure minimisée, nettoyez l'appareil au moins deux fois par mois. (Les conditions environnementales et d'utilisation peuvent exiger un nettoyage plus fréquent.)

- Mettez l'appareil hors tension.
- Attendez que celui-ci ait refroidi
- Utilisez un aspirateur (ou de l'air comprimé sec) et une brosse douce pour enlever la poussière accumulée sur les surfaces et ventilations externes.
- Nettoyez le panneau de verre (ouverture du laser) avec un nettoyant pour vitre ou de l'alcool isopropylique.
- Appliquez la solution directement sur un tissu doux en coton non pelucheux ou un tissu optique, puis nettoyez toute trace de saleté ou d'impureté vers l'extérieur de la surface en verre.
- Polissez en douceur ces surfaces jusqu'à ce que toute peluche ou trace ait disparu.



Assurez-vous de bien sécher la surface en verre après l'avoir nettoyée.



Ne faites PAS tourner le ventilateur de refroidissement en utilisant de l'air comprimé car vous pourriez l'endommager.

N'ouvrez PAS cette unité lorsque vous procédez à son nettoyage ou sa révision.

Renvois

L'utilisateur doit nous retourner la marchandise en port prépayé, dans ses boîte et emballage d'origine et avec tous ses accessoires. CHAUVET® ne délivrera pas d'étiquettes de renvoi. Téléphonnez à CHAUVET® et demandez un numéro d'autorisation de retour (NAR) avant de nous réexpédier l'appareil. Pour l'obtenir, il vous sera demandé de fournir le numéro du modèle, le numéro de série ainsi qu'une brève description de l'objet du retour. L'utilisateur devra indiquer lisiblement le NAR sur une étiquette apposée sur le colis. CHAUVET® refusera la réception de tout appareil pour lequel aucun NAR n'a été demandé.



N'écrivez PAS le NAR directement sur le colis. Inscrivez-le plutôt sur une étiquette apposée.

Une fois le numéro NAR communiqué, veuillez inclure les informations suivantes sur une feuille de papier et la joindre à votre colis :

- Votre nom
- Votre adresse
- Votre numéro de téléphone
- Le NAR
- Une courte description du problème

Veillez à emballer l'appareil de manière adéquate. L'utilisateur sera tenu responsable de tout dommage survenant lors de l'expédition de retour dû à un emballage inadéquat.



CHAUVET® se réserve le droit, à sa convenance, de réparer ou remplacer tout appareil qui lui est retourné.

Réclamations

Le transporteur sera tenu responsable de tout dommage occasionné à cet appareil ou l'un de ses accessoires, survenu lors du transport. Par conséquent, tout dommage apparent occasionné pendant le transport devra être signalé par le client au moyen d'un rapport de dommages ou un dépôt de plainte auprès du transporteur et non de CHAUVET®. Le client doit déposer sa plainte dès réception de la marchandise endommagée; Ne pas le faire dans un délai raisonnable peut entraîner la non validation de la plainte par le transporteur. Pour tout autre problème comme la non livraison de pièces ou composants, des dommages non en rapport avec la livraison ou des vices cachés, veuillez déposer votre réclamation auprès de CHAUVET® dans les 7 jours après réception de la marchandise.

6. Spécificités Techniques

Dimensions et Poids	Longueur	Largeur	Hauteur	Poids
	11 pouces (276 mm)	8,5 pouces (215 mm)	7,4 pouces (187 mm)	5,6 lb (2,7 kg)
Remarque : Les dimensions en pouces sont arrondies à la décimale la plus proche.				
Alimentation	Type d'Alimentation	Plage		Sélection de Puissance
	Commutation (interne)	100 à 240 V, 50/60 Hz		Universelle
	Paramètre	120 V, 60 Hz		230 V, 50 Hz
	Consommation énergétique	16 W		16 W
	Courant de fonctionnement (unités)	0,2 A		0,1 A
	Raccordement en chaîne des unités	37 unités		74 unités
Fusible	T 1 A, 250 V		T 1 A, 250 V	
Source lumineuse	E/S d'Alimentation	Entrée		Sortie
	Connecteurs	CEI		Edison (États-Unis)
	Fiche du cordon	Edison (États-Unis)		N/A
Scorpion™ GBC 2.0	Type	Alimentation	Longueur d'Onde	
	Laser (vert)	10 mW	532 nm	
	Laser (bleu)	20 mW	450 nm	
Scorpion™ RGY	Type	Alimentation	Longueur d'Onde	
	Laser (rouge)	20 mW	650 nm	
	Laser (vert)	10 mW	532 nm	
Photo-optique	Paramètre	Valeur		
	Portée du zoom	de 1° à 36°		
	Positionnement du pan	43°		
Positionnement du tilt	39°			
Thermique	Température Externe Maximale	Système de Refroidissement		
	104° F (40° C)	Refroidissement par ventilateur		
DMX	Connecteurs E/S	Type de Connecteur	Plage de Canal	
	XLR 3 broches	Prises	10	
Commander	Scorpion™ GBC 2.0	Scorpion™ RGY		
	10060591	10060264		

Contact Us

World Headquarters

CHAUVET®

General Information

Address: 5200 NW 108th Avenue
Sunrise, FL 33351
Voice: 954-577-4455
Fax: 954-929-5560
Toll free: 800-762-1084

Technical Support

Voice: 954-577-4455 (Press 4)
Fax: 954-756-8015
Email: tech@chauvetlighting.com

World Wide Web

www.chauvetlighting.com

United Kingdom & Ireland

CHAUVET® Europe Ltd.

General Information

Address: Unit 1C
Brookhill Road Industrial Estate
Pinxton, Nottingham, UK
NG16 6NT
Voice: +44 (0)1773 511115
Fax: +44 (0)1773 511110

Technical Support

Email: uktech@chauvetlighting.com

World Wide Web

www.chauvetlighting.co.uk



UL 1573
CSA C22.2 No. 166
E113093



Free Manuals Download Website

<http://myh66.com>

<http://usermanuals.us>

<http://www.somanuals.com>

<http://www.4manuals.cc>

<http://www.manual-lib.com>

<http://www.404manual.com>

<http://www.luxmanual.com>

<http://aubethermostatmanual.com>

Golf course search by state

<http://golfingnear.com>

Email search by domain

<http://emailbydomain.com>

Auto manuals search

<http://auto.somanuals.com>

TV manuals search

<http://tv.somanuals.com>