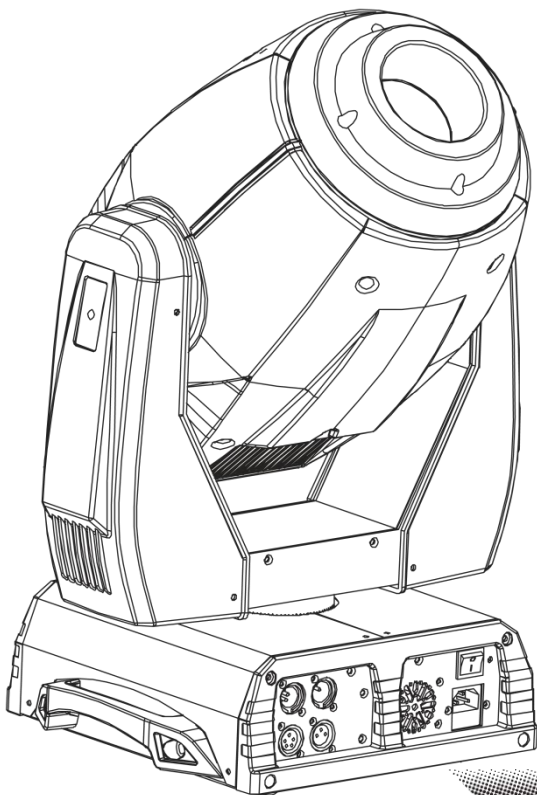


Q-SPOT™ 560-LED

Quick Reference Guide



CHAUVET®

It's Green Thinking

About this Guide

The Q-Spot™ 560 LED Quick Reference Guide (QRG) only contains the product's connection and mounting information, as well as the menu options and the DMX values.

Disclaimer

- This Quick Reference Guide DOES NOT replace the product's User Manual, which you can download from the CHAUVET® Web site (www.chauvetpro.com).
- You must read ALL the disclaimers and Safety Notes in this document, as well as those in the product's User Manual before installing, operating, or maintaining this product.

Safety Notes

- DO NOT open this product unless instructed. It contains no user serviceable parts.
- DO NOT aim this product toward any surface closer than 3.3 feet (1 m). You may damage or overheat the illuminated surface.
- DO NOT aim this product toward the Sun. The lenses could concentrate the solar energy and cause internal overheating.
- DO NOT look at the light source when this product is on.
- DO NOT touch the product when it is operating because it may be very hot.
- DO NOT cover the ventilation slots when the product is operating to avoid internal overheating.
- DO NOT install or operate this product where there is less than 50 cm to the nearest surface to allow adequate ventilation around it.
- DO NOT leave any flammable material within 50 cm from this product while operating or connected to the power outlet to minimize the risk of fire.
- DO NOT carry this product from the head. Use the handles instead.
- DO NOT lift the unit by the housing. Use the handles instead.
- DO NOT mount this product overhead without using a safety cable.
- DO NOT operate this product outdoors or in any location where dust, excessive heat, water, or humidity may affect it.
- DO NOT operate this product if you see damage on the housing, lenses, or cables. In any of these cases, have the damaged parts replaced by an authorized technician immediately.
- DO NOT connect this product to a dimmer or rheostat.
- ONLY connect this product to a grounded and protected circuit.

What Is Included

- One Q-Spot™ 560 LED
- One IEC Power Cord with Edison Plug (US Market)
- Two Mounting Brackets
- One Safety Cable
- One Warranty Card
- One Quick Reference Guide

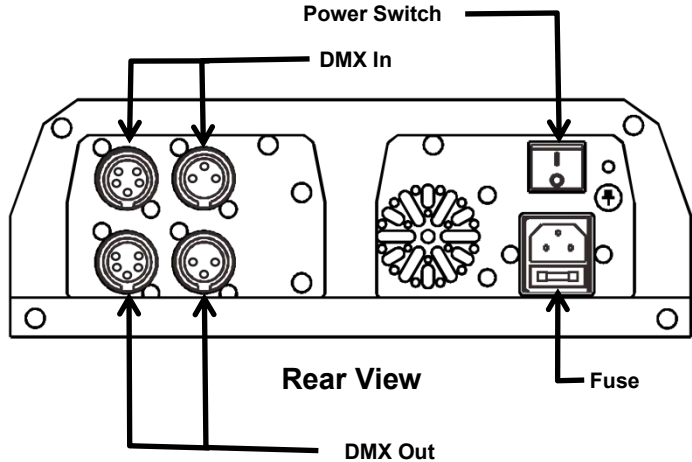
- Features**
- 13 or 17-channel DMX-512 LED moving yoke
 - Pan: 540° / tilt: 270°
 - Color wheel:
 - 7 colors + white
 - Split colors
 - Rainbow color spin at variable speeds
 - Gobo wheel 1:
 - Gobo shake
 - 7 gobos + open
 - Gobo wheel spin at variable speeds
 - Gobo wheel 2:
 - Indexed, rotating gobo wheel with gobo shake
 - 6 slot-n-lock gobos + open
 - 2 glass, 4 metal
 - Rotating gobo wheel spin at variable speeds
 - Extremely bright with 19 degree beam angle for big looks
 - 3-facet, high-speed rotating prism at variable speeds
 - Variable focus
 - Variable iris
 - Variable electronic shutter (for strobing)
 - Variable (16-bit) electronic dimmer (0 – 100%)
 - Remote fixture reset & vector speed channel
 - 255 user-programmable steps without DMX controller
 - Move-in-black for pan/tilt
 - Built-in automated programs
 - Built-in sound activated programs
 - 3-high-powered, 60 W (14 A) LEDs
 - User-selectable pan/tilt ranges
 - Automatic pan & tilt correction
 - Quiet operation

Additional Features

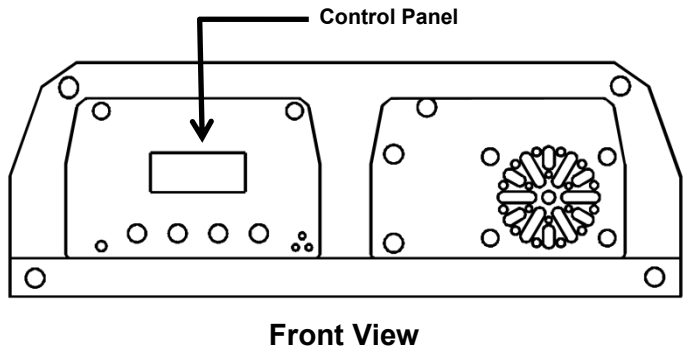
- 3-pin and 5-pin DMX connections

Product Description

The Q-Spot™ 560 LED is a high power moving yoke product equipped with three (3) 60-watt white LEDs. It includes a color wheel with seven slots plus white. The Q-Spot™ 560 LED also comes with two gobo wheels. One gobo wheel has six rotating slot-n-lock gobos plus open, and the other has seven fixed gobos plus open. The Q-Spot™ 560 LED also includes remote focus and a rotating 3-face prism



Product Overview

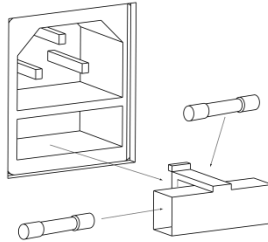


**AC
Power**

This product has an auto-ranging power supply that can work with an input voltage range of 100~240 VAC, 50/60 Hz.

**Fuse
Replacement**

1. Disconnect this product/product from the power outlet.
2. Wedge the tip of a flat head screwdriver into the slot of the fuse holder and pry the safety cap out of the housing, which will pull the installed fuse.
3. Remove the blown fuse from the safety cap and replace with a fuse of the exact same type and rating (T 5 A, 250 V).
4. Insert the fuse holder back in place, and reconnect power.



**DMX
Linking**

The Q-Spot™ 560 LED can work with a DMX controller when linked using a regular DMX serial connection.

If you are not familiar with the DMX standard, please download the *DMX Primer* document from www.chauvetpro.com.

**DMX
Connection**

The Q-Spot™ 560 LED uses a regular DMX data connection for its DMX personalities, **Basic** and **Advanced**.

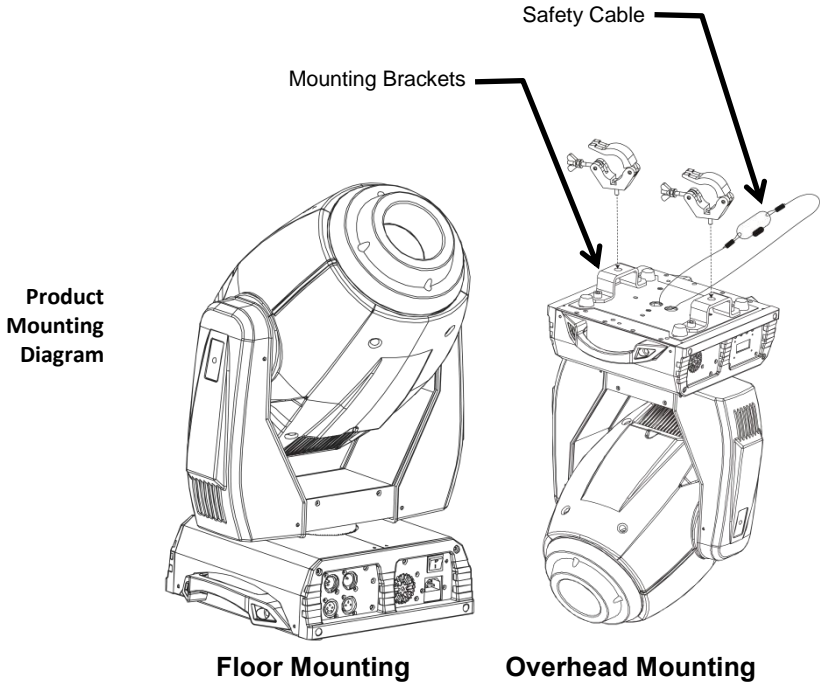
Download the *Q-Spot™ 560 LED User Manual* and refer to the *Setup* chapter to learn how to connect this product for DMX operation, and the *Operation* chapter to learn in detail how to configure this product for DMX operation.

**Master/Slave
Connection**

The Q-Spot™ 560 LED uses the DMX data connection for its Master/Slave mode.

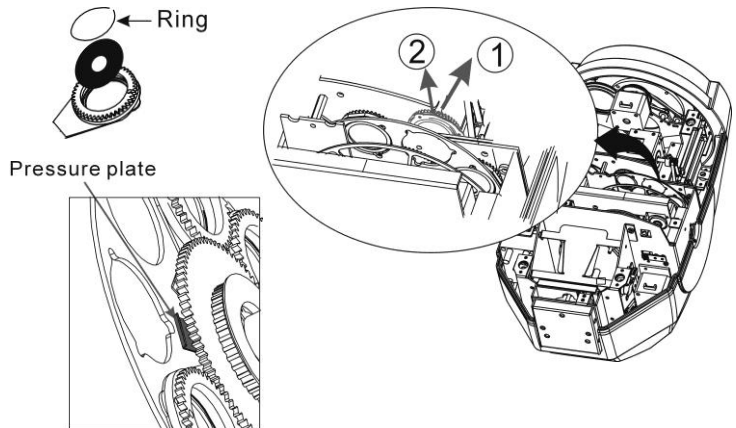
Download the *Q-Spot™ 560 LED User Manual* and refer to the *Setup* chapter to learn how to connect this product for Master/Slave operation, and the *Operation* chapter to learn in detail how to configure this product for Master/Slave operation.

Mounting Before mounting this product, read the Safety Notes at the beginning of this guide and on page 2 of the product's User Manual. Then, follow the mounting procedure indicated in the *Setup* chapter of the User Manual.



Gobo Replacement

1. Turn the product off and disconnect it from the power outlet.
2. Open the head cover by loosening the four fastening screws at the sides of the top cover.
3. Separate the gobo plate away from the gobo wheel by pushing it toward the front of the moving head (direction 1 in the diagram). Be careful not to push the gobo out of the gobo plate.
4. Extract the gobo plate 1 by pulling it outward (direction 2 in the diagram).
5. On a flat surface, remove the expansion ring that holds the gobo in place and remove the gobo from the gobo plate.
6. Insert a new gobo and hold it in place with the expansion ring.
7. Slide the tip of the gobo plate under the pressure plate near the center of the gobo wheel.
8. Push the gobo plate inwards. **DO NOT** force the gobo plate into the gobo wheel slot. If correctly installed, the gobo plate should easily snap itself into the gobo wheel slot.



Programming For details on how to program this product, please refer to the product's User Manual.

Control Panel Description	Button	Function
	<MENU>	Exits from the current menu or function
	<ENTER>	Enables the currently displayed menu or sets the currently selected value into the selected function
	<UP>	Navigates upwards through the menu list and increases the numeric value when in a function
	<DOWN>	Navigates downwards through the menu list and decreases the numeric value when in a function

Start Address To ensure full access to all channels in each DMX mode, the highest recommended DMX addresses are as follows:

Mode	Address
Basic	500
Advanced	496

Menu Options

Main Level	Programming Levels		Description
Intro	Address	001–512	Selects a starting DMX address
	Reset	Yes	Resets the product’s custom settings
		No	
	Run	DMX512	Selects DMX512-A running mode
		Auto 1	Selects the first automatic program
		Auto 2	Selects the second automatic program
		Sound 1	Selects the first sound activated program
		Sound 2	Selects the second sound program
		Custom	Selects the user customizable program
		Test	Selects the fixture’s test sequence
		Slave	Selects the Slave running mode
	Person	Basic	Selects the 13-channel DMX mode
		Advanced	Selects the 17-channel DMX mode
	Display	60 Close	Turns off the display after 60 s
Bright		Keeps the display on	
Keylock	Yes	Activates the control panel password	
	No		
Dimmer	Dimmer 0	Linear dimmer	
	Dimmer 1	Slow (DIM 4) to fast (DIM1) dimmer curves	
	Dimmer 2		
	Dimmer 3		
	Dimmer 4		
Info	Edition	Version Number	Shows the version of the installed S/W
Invert	Pan	Normal	Defines the direction of pan function
		Reverse	
	Tilt	Normal	Defines the direction of tilt function
		Reverse	
Dimmer	Normal	Defines the direction of dimmer function	
	Reverse		
Use	Yes	Activates the changes	
	No		
Range	P/Start	0~255	Sets the pan start point (restricted range)
	P/Finish		Sets the pan end point (restricted range)
	T/Start		Sets the tilt start point (restricted range)
	T/Finish		Sets the tilt end point (restricted range)
	Use	Yes	Activates the changes
	No		

Continues on the next page

Continued from previous page

Main Level	Programming Levels		Description	
Special	Blackd	Yes	Activates the move-in black delay (3 s)	
		No		
	Reset	DMX	The DMX controller can reset the fixture	
		System	The control panel can reset the fixture	
	Fanwait	On	Forces the fan to stop during a blackout	
		Off		
	DMXerror	Save	Save the last look when DMX is Lost	
		Blak	Goes to black when DMX is lost	
Edit	Step	0~255	Selects the program step	
	Pan		Selects the pan position	
	Tilt		Selects the tilt position	
	Speed		Selects the pan/tilt speed	
	Color		Selects the color (color wheel)	
	Gobo1		Selects a fixed gobo (static or shake)	
	Gobo2		Selects a rotating gobo (static or shake)	
	Gobo2rot		Selects the gobo rotation mode	
	Prism		Selects the prism rotation mode	
	Prismt		Selects the fine prism adjustment	
	Iris		Selects the iris adjustment	
	Focus		Selects a focus point	
	Dimmer		Selects the dimmer value	
	Strobe		Selects the strobe frequency and mode	
	Time		Selects the step duration	
	Use		Yes	Activates the changes
			No	
	Extra		Password	****
Default	Default	Yes	Sets unit back to default factory settings	
		No		

DMX Values

Basic	Channel	Function	Value	Percent/Setting
	1	Pan	000 ⇄ 255	0~540°
	2	Tilt	000 ⇄ 255	0~270°
	3	Color wheel	000 ⇄ 009	No Function
			010 ⇄ 019	Red
			020 ⇄ 029	Green
			030 ⇄ 039	Yellow
			040 ⇄ 049	Blue
			050 ⇄ 059	Orange
			060 ⇄ 069	Magenta
			070 ⇄ 079	Light Blue
			080 ⇄ 099	Light Blue/Magenta
			100 ⇄ 119	Magenta/Orange
			120 ⇄ 139	Orange/Blue
			140 ⇄ 159	Blue/Yellow
			160 ⇄ 179	Yellow/Green
			180 ⇄ 199	Green/Red
	200 ⇄ 219	Red/Open		
	220 ⇄ 255	Rainbow or Linear Effect		
	4	Gobo Wheel 1	000 ⇄ 010	No gobo
			011 ⇄ 020	Gobo 1
			021 ⇄ 030	Gobo 2
			031 ⇄ 040	Gobo 3
			041 ⇄ 050	Gobo 4
			051 ⇄ 060	Gobo 5
			061 ⇄ 070	Gobo 6
			071 ⇄ 080	Gobo 7
			081 ⇄ 095	Shaking gobo 7
			096 ⇄ 110	Shaking gobo 6
			111 ⇄ 125	Shaking gobo 5
			126 ⇄ 140	Shaking gobo 4
			141 ⇄ 155	Shaking gobo 3
			156 ⇄ 170	Shaking gobo 2
			171 ⇄ 185	Shaking gobo 1
			186 ⇄ 255	Flow effect
	5	Gobo Wheel 2	000 ⇄ 010	No gobo
			011 ⇄ 020	Gobo 1
			021 ⇄ 030	Gobo 2
			031 ⇄ 040	Gobo 3
			041 ⇄ 050	Gobo 4
			051 ⇄ 060	Gobo 5
			061 ⇄ 070	Gobo 6
			071 ⇄ 085	Shaking gobo 6
			086 ⇄ 100	Shaking gobo 5
			101 ⇄ 115	Shaking gobo 4
			116 ⇄ 130	Shaking gobo 3
			131 ⇄ 145	Shaking gobo 2
			146 ⇄ 160	Shaking gobo 1
			161 ⇄ 255	Flow effect

Continues on the next page

Continued from previous page

Basic
(cont.)

Channel	Function	Value	Percent/Setting
6	Gobo Wheel 2 Rotation	000 ⇄ 060 061 ⇄ 150 151 ⇄ 165 166 ⇄ 255	360° Indexing Clockwise Rotation ~ Slow to Fast No Function Counter-Clockwise Rotation ~ Slow to Fast
7	Prism	000 ⇄ 009 010 ⇄ 039 040 ⇄ 049 050 ⇄ 059 060 ⇄ 069 070 ⇄ 079 080 ⇄ 089 090 ⇄ 099 100 ⇄ 109 110 ⇄ 119 120 ⇄ 129 130 ⇄ 139 140 ⇄ 149 150 ⇄ 159 160 ⇄ 169 170 ⇄ 179 180 ⇄ 189 190 ⇄ 199 200 ⇄ 209 210 ⇄ 219 220 ⇄ 229 230 ⇄ 239 240 ⇄ 255	No Function Prism Effect1 Effect2 Effect3 Effect4 Effect5 Effect6 Effect7 Effect8 Effect9 Effect10 Effect11 Effect12 Effect13 Effect14 Effect15 Effect16 Effect17 Effect18 Effect19 Effect20 Prism
8	Prism Rotation	000 ⇄ 009 010 ⇄ 119 120 ⇄ 129 130 ⇄ 255	No Function Clockwise rotate ~ slow to fast No Function Counter-clockwise rotation ~ slow to fast
9	Iris	000 ⇄ 199 200 ⇄ 209 210 ⇄ 219 220 ⇄ 229 230 ⇄ 239 240 ⇄ 255	Linear Iris Iris Effect1 Iris Effect2 Iris Effect3 Iris Effect4 Random
10	Focus	000 ⇄ 255	0~100%
11	Dimmer	000 ⇄ 255	0~100%
12	Strobe	000 ⇄ 031 032 ⇄ 063 064 ⇄ 095 096 ⇄ 127 128 ⇄ 159 160 ⇄ 191 192 ⇄ 223 224 ⇄ 255	Close Open Strobe 0~20Hz Open Pulse Effect Open Random Effect Open

Continues on the next page

Continued from previous page

**Basic
(cont.)**

Channel	Function	Value	Percent/Setting
13	Control	000 ⇔ 019	Dim setting as set in product
		020 ⇔ 039	Pan/tilt black activation
		040 ⇔ 059	Pan/tilt black deactivation
		060 ⇔ 139	No Function
		140 ⇔ 149	Auto program 1 (3 s activation delay)
		150 ⇔ 159	Auto program 2 (3 s activation delay)
		160 ⇔ 169	Test (3 s activation delay)
		170 ⇔ 179	Custom program (3 s activation delay)
		180 ⇔ 189	Sound1
		190 ⇔ 199	Sound2
		200 ⇔ 219	Reset (3 s activation delay)
		220 ⇔ 235	No Function
		236 ⇔ 239	DIM0 (3 s activation delay)
		240 ⇔ 243	DIM1 (3 s activation delay)
		244 ⇔ 247	DIM2 (3 s activation delay)
248 ⇔ 251	DIM3 (3 s activation delay)		
252 ⇔ 255	DIM4 (3 s activation delay)		

Advanced

Channel	Function	Value	Percent/Setting
1	Pan	000 ⇄ 255	0~540°
2	Pan Fine	000 ⇄ 255	Fine movement control
3	Tilt	000 ⇄ 255	0~270°
4	TiltFine	000 ⇄ 255	Fine movement control
5	Pan/Tilt Speed	000 ⇄ 255	Fast~Slow
6	Color wheel	000 ⇄ 009	No Function
		010 ⇄ 019	Red
		020 ⇄ 029	Green
		030 ⇄ 039	Yellow
		040 ⇄ 049	Blue
		050 ⇄ 059	Orange
		060 ⇄ 069	Magenta
		070 ⇄ 079	Light Blue
		080 ⇄ 099	Light Blue/Magenta
		100 ⇄ 119	Magenta/Orange
		120 ⇄ 139	Orange/Blue
		140 ⇄ 159	Blue/Yellow
		160 ⇄ 179	Yellow/Green
180 ⇄ 199	Green/Red		
200 ⇄ 219	Red/Open		
220 ⇄ 255	Rainbow or Linear Effect		
7	Gobo Wheel 1	000 ⇄ 010	No gobo
		011 ⇄ 020	Gobo 1
		021 ⇄ 030	Gobo 2
		031 ⇄ 040	Gobo 3
		041 ⇄ 050	Gobo 4
		051 ⇄ 060	Gobo 5
		061 ⇄ 070	Gobo 6
		071 ⇄ 080	Gobo 7
		081 ⇄ 095	Shaking gobo 7
		096 ⇄ 110	Shaking gobo 6
		111 ⇄ 125	Shaking gobo 5
		126 ⇄ 140	Shaking gobo 4
		141 ⇄ 155	Shaking gobo 3
		156 ⇄ 170	Shaking gobo 2
		171 ⇄ 185	Shaking gobo 1
		186 ⇄ 255	Flow effect
8	Gobo Wheel 2	000 ⇄ 010	No gobo
		011 ⇄ 020	Gobo 1
		021 ⇄ 030	Gobo 2
		031 ⇄ 040	Gobo 3
		041 ⇄ 050	Gobo 4
		051 ⇄ 060	Gobo 5
		061 ⇄ 070	Gobo 6
		071 ⇄ 085	Shaking gobo 6
		086 ⇄ 100	Shaking gobo 5
		101 ⇄ 115	Shaking gobo 4
		116 ⇄ 130	Shaking gobo 3
		131 ⇄ 145	Shaking gobo 2
		146 ⇄ 160	Shaking gobo 1
		161 ⇄ 255	Flow effect

Continues on the next page

Continued from previous page

Advanced
(cont.)

Channel	Function	Value	Percent/Setting
9	Gobo Wheel 2 Rotation	000 ⇄ 060 061 ⇄ 150 151 ⇄ 165 166 ⇄ 255	360° Indexing Clockwise Rotation ~ Slow to Fast No Function Counter-Clockwise Rotation ~ Slow to Fast
10	Prism	000 ⇄ 009 010 ⇄ 039 040 ⇄ 049 050 ⇄ 059 060 ⇄ 069 070 ⇄ 079 080 ⇄ 089 090 ⇄ 099 100 ⇄ 109 110 ⇄ 119 120 ⇄ 129 130 ⇄ 139 140 ⇄ 149 150 ⇄ 159 160 ⇄ 169 170 ⇄ 179 180 ⇄ 189 190 ⇄ 199 200 ⇄ 209 210 ⇄ 219 220 ⇄ 229 230 ⇄ 239 240 ⇄ 255	No Function Prism Effect1 Effect2 Effect3 Effect4 Effect5 Effect6 Effect7 Effect8 Effect9 Effect10 Effect11 Effect12 Effect13 Effect14 Effect15 Effect16 Effect17 Effect18 Effect19 Effect20 Prism
11	Prism Rotation	000 ⇄ 009 010 ⇄ 119 120 ⇄ 129 130 ⇄ 255	No Function Clockwise rotate ~ slow to fast No Function Counter-clockwise rotation ~ slow to fast
12	Iris	000 ⇄ 199 200 ⇄ 209 210 ⇄ 219 220 ⇄ 229 230 ⇄ 239 240 ⇄ 255	Linear Iris Iris Effect1 Iris Effect2 Iris Effect3 Iris Effect4 Random
13	Focus	000 ⇄ 255	0~100%
14	Focus Fine	000 ⇄ 255	Fine movement control
15	Dimmer	000 ⇄ 255	0~100%
16	Strobe	000 ⇄ 031 032 ⇄ 063 064 ⇄ 095 096 ⇄ 127 128 ⇄ 159 160 ⇄ 191 192 ⇄ 223 224 ⇄ 255	Close Open Strobe 0~20Hz Open Pulse Effect Open Random Effect Open

Continues on the next page

Continued from previous page

Advanced
(cont.)

Channel	Function	Value	Percent/Setting
17	Control	000 ⇔ 019	Dim setting as set in product
		020 ⇔ 039	Pan/tilt black activation
		040 ⇔ 059	Pan/tilt black deactivation
		060 ⇔ 139	No Function
		140 ⇔ 149	Auto program 1 (3 s activation delay)
		150 ⇔ 159	Auto program 2 (3 s activation delay)
		160 ⇔ 169	Test (3 s activation delay)
		170 ⇔ 179	Custom program (3 s activation delay)
		180 ⇔ 189	Sound1
		190 ⇔ 199	Sound2
		200 ⇔ 219	Reset (3 s activation delay)
		220 ⇔ 235	No Function
		236 ⇔ 239	DIM0 (3 s activation delay)
		240 ⇔ 243	DIM1 (3 s activation delay)
		244 ⇔ 247	DIM2 (3 s activation delay)
		248 ⇔ 251	DIM3 (3 s activation delay)
		252 ⇔ 255	DIM4 (3 s activation delay)

Contact Us

World Headquarters

CHAUVET®

General Information

Address: 5200 NW 108th Avenue
Sunrise, FL 33351

Voice: (954) 929-1115

Fax: (954) 929-5560

Toll free: (800) 762-1084

Technical Support

Voice: (954) 929-1115 (Press 4)

Fax: (954) 756-8015

Email: tech@chauvetlighting.com

World Wide Web

www.chauvetlighting.com

United Kingdom and Ireland

CHAUVET® Europe Ltd.

General Information

Address: Unit 1C
Brookhill Road Industrial Estate
Pinxton, Nottingham, UK
NG16 6NT

Voice: +44 (0)1773 511115

Fax: +44 (0)1773 511110

Technical Support

Email: uktech@chauvetlighting.com

World Wide Web

www.chauvetlighting.co.uk

Outside the US, United Kingdom, or Ireland, contact your distributor of record. Follow their instructions to request support or to return a product. Visit our Web site for contact details.

Q-Spot™ 560 LED QRG – Rev. 03

© Copyright 2011 CHAUVET®

All rights reserved

Printed in the P. R. C.



CONFORMS TO
UL STD. 1573

CERTIFIED TO
CSA STD. C22.2
No. 166



Free Manuals Download Website

<http://myh66.com>

<http://usermanuals.us>

<http://www.somanuals.com>

<http://www.4manuals.cc>

<http://www.manual-lib.com>

<http://www.404manual.com>

<http://www.luxmanual.com>

<http://aubethermostatmanual.com>

Golf course search by state

<http://golfingnear.com>

Email search by domain

<http://emailbydomain.com>

Auto manuals search

<http://auto.somanuals.com>

TV manuals search

<http://tv.somanuals.com>