

# INSTALLATION INSTRUCTIONS

## INSTALLATION JOB BOX

### CMA-160

The Installation Job Box is designed to make installations quicker and cleaner. The box attaches to standard NPT 1½" pipe, providing space to hold electrical wiring and electrical equipment. Outlet knockouts are provided.

**WARNING: IMPROPER INSTALLATION MAY RESULT IN SERIOUS PERSONAL INJURY!**

When mounting Chief Manufacturing accessories, the structural system and mounting method **MUST** be capable of supporting 5 times the combined weight of the total installation.

The maximum weight to be installed on the job box is 250 pounds (113.4Kg).

Unpack and check contents:

- |                               |  |
|-------------------------------|--|
| (1) Job Box                   | (1) 10-24 Nylock Nut                             |
| (2) 10 – 24 Socket Set Screws | (1) #10 Lock Washer                              |
| (1) 3/32" Hex Wrench          | (2) 10-24 X ½" Phillips Head Self-Tapping Screws |

#### INSTALLATION INSTRUCTIONS

1. Install the job box securely between two 1½" NPT pipes. (**SEE WARNING ABOVE**) by threading the job box onto one pipe and threading the second pipe into the job box (see Figure 1).
2. Install and securely tighten both 10 – 24 socket set screws (see Figure 1).
3. If necessary, secure ground wire to grounding stud inside job box using 10-24 Nylock nut and #10 lock washer (see Figure 2).
4. Secure doors of job box, if desired, by installing two self-tapping screws in holes on top of doors (see Figure 3).

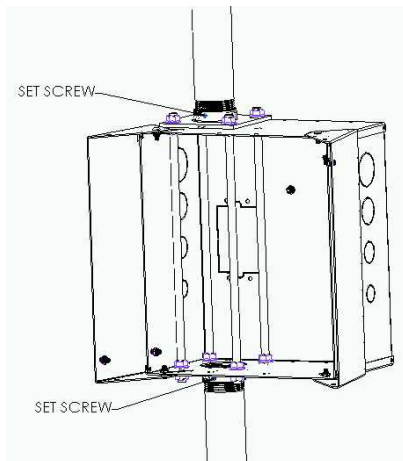


Figure 1. CMA-160 Installed

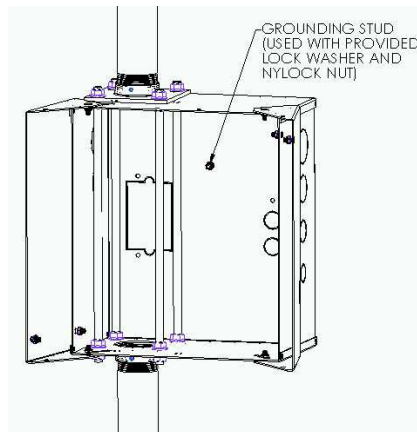


Figure 2. Ground Stud Location

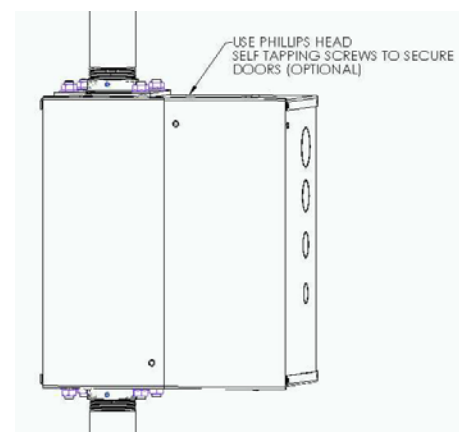


Figure 3. Secure Doors



**CHIEF MANUFACTURING INC.**  
1-800-582-6480 952-894-6280 FAX 952-894-6918  
12800 HIGHWAY 13 SOUTH, SUITE 500  
SAVAGE, MINNESOTA 55378 USA

8803-00013  
2003 Chief Manufacturing  
[www.chiefmfg.com](http://www.chiefmfg.com)  
06/03

## Free Manuals Download Website

<http://myh66.com>

<http://usermanuals.us>

<http://www.somanuals.com>

<http://www.4manuals.cc>

<http://www.manual-lib.com>

<http://www.404manual.com>

<http://www.luxmanual.com>

<http://aubethermostatmanual.com>

Golf course search by state

<http://golfingnear.com>

Email search by domain

<http://emailbydomain.com>

Auto manuals search

<http://auto.somanuals.com>

TV manuals search

<http://tv.somanuals.com>