
INSTALLATION INSTRUCTIONS

FSD-4100 LCD Flat Screen Swing-Down Mount

Perfect for home applications under kitchen cabinets or other rooms with a soffit. The LCD Flat Screen Swing-Down mount is a sturdy, versatile solution for LCD flat screen display or touch screen control system mounting with 15" or smaller monitors.

The all steel mount provides smooth side-to-side pivot, 70° or 220° screen rotation and extends and retracts 2 3/4" to allow for larger screen capacity. Hidden cable management permits aesthetic installation while preventing wires from being pinched.



BEFORE YOU BEGIN

- **Caution:** To prevent damage to the mount, which could affect the equipment that will be attached to it and void the factory warranty, thoroughly study all instructions and illustrations before you begin the installation. Pay particular attention to the "Important Warnings and Precautions" on Page 1.
- The mount is designed to be installed on cabinetry or supporting framework. The cabinet to which the FSD-4100 is anchored must be capable of supporting 75 pounds (34 Kg).
- If you have any questions about this installation, contact Chief Manufacturing at 1-800-582-6480.



CHIEF MANUFACTURING INC.
1-800-582-6480 952-894-6280 FAX 952-894-6918
8401 EAGLE CREEK PARKWAY
SAVAGE, MINNESOTA 55378 USA

8832-000010 Rev C
©2007 Chief Manufacturing
www.chiefmfg.com
04-07



IMPORTANT WARNINGS AND PRECAUTIONS!

- WARNING:** A **WARNING** alerts you to the possibility of serious injury or death if you do not follow the instructions.
- CAUTION:** A **CAUTION** alerts you to the possibility of damage or destruction of equipment if you do not follow the corresponding instructions.
- **WARNING:Improper installation can result in serious personal injury! Make sure that the mounting surface can support a redundant weight factor *five times* the total weight of the equipment. If not, reinforce the structure before installing the FSD-4100.**
 - **WARNING:Be aware also of the potential for personal injury or damage to the unit if it is not adequately mounted.**
 - **WARNING:The installer is responsible for verifying that the surface to which the FSD-4100 is anchored will safely support the combined load of all attached components or other equipment.**
 - **WARNING:The weight of the display placed on the FSD-4100 must not exceed 15 lbs. (6.8 kg), the maximum load capacity of the FSD-4100.**
 - **WARNING:Watch for pinch points. Do not put your fingers between movable parts.**
 - **WARNING:Make sure the mount and brackets are correctly oriented.**
 - **CAUTION:** Check the unit for shipping damage before you begin the installation.
 - **CAUTION:** Overtightening adjustment bolt will cause excessive wear and may distort adjustment components.

NOTE: Hardware for attaching this unit to the mounting surface is not supplied.

TOOLS REQUIRED FOR INSTALLATION

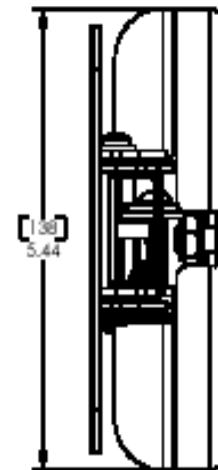
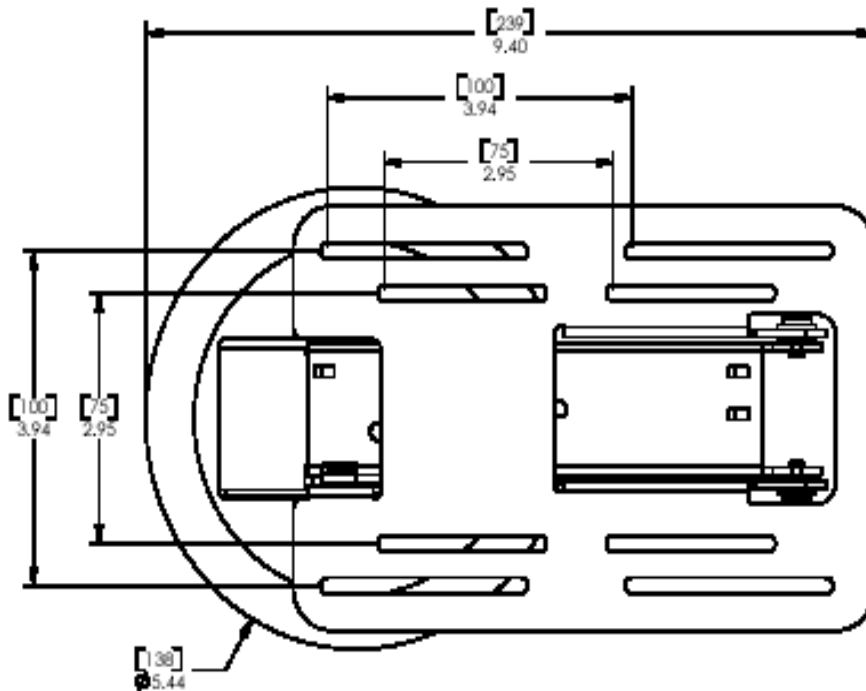
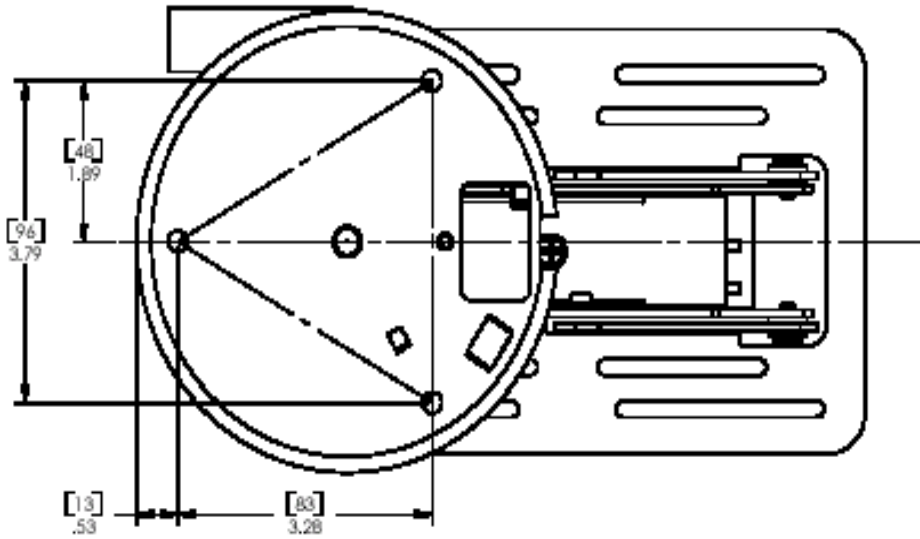
- Phillips screw driver
- Electric drill motor
- 1/4" Drill bit

NOTE: Other tools may be required depending on the method of installing the mount.

CONTENTS

DIMENSIONAL DRAWING	2
INSPECT THE UNIT BEFORE INSTALLING	3
PARTS	4
FDS-4100 INSTALLATION	5
MOUNT THE DISPLAY	5
ADJUSTMENTS	6
CABLE MANAGEMENT	7

DIMENSIONAL DRAWING



INSPECT THE UNIT BEFORE INSTALLING

WARNING: Watch for pinch points. Do not put your fingers between movable parts.

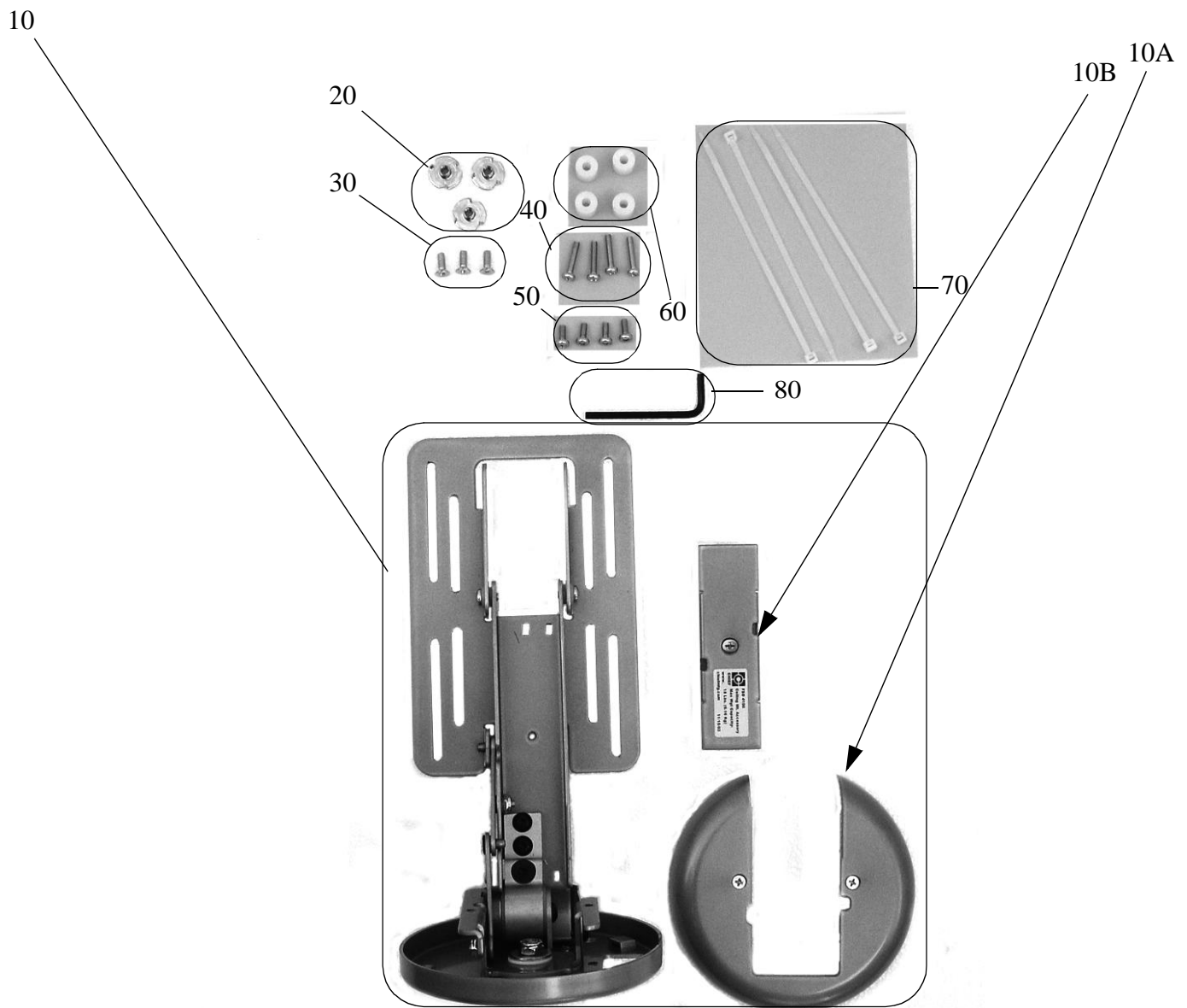
1. Carefully inspect the FSD-4100 for shipping damage. If any damage is apparent, call your carrier claims agent and do not continue with the installation until the carrier has reviewed the damage.

NOTE: Read all instructions before starting installation.

2. Lay out components to ensure you have all the required parts before proceeding (see “DIMENSIONAL DRAWING” on page 2 and “PARTS” on page 4).

PARTS

Item	Description	Qty.	Item	Description	Qty.
10	Mount	1	40	Screw, M4 X .7 X 20mm	4
10A	Base Cover	1	50	Screw, M4 X .7 X 10mm	4
10B	Cable Management Cover	1	60	Spacer, Nylon, .500 OD X .19 X .50	4
20	Nuts, T	3	70	Tie Wraps	4
30	Screws, 10-24 X 5/8"	3	80	Allen Wrench, 5/32"	1



FSD-4100 INSTALLATION

WARNING: It is the responsibility of the installer to verify that the surface to which the FSD-4100 is anchored will safely support the combined load of all attached components and equipment.

Install the FSD-4100 as follows:

NOTE: Numbers in () refer to parts in PARTS on page 4.

1. Remove two screws securing base cover (10A) and remove cover (see Figure 1).
2. Determine the exact mounting location prior to installation, considering the unit's total arm radius.
3. Using the mounting plate as a template, mark mounting hole locations (see Figure 2).
4. Drill three 1/4" holes at the locations marked in step 3.

WARNING: Improper installation can result in serious damage to the display or personal injury! Make sure that the structural members can support a redundant weight factor *five times* the total weight of the equipment. If not, reinforce the structure before installing the FSD-4100.

5. With the FSD-4100 correctly oriented and level, secure it to the surface using fasteners (20 and 30).
6. Check mount to insure it is level and adjust to level if necessary.

MOUNT THE DISPLAY

1. Make sure no power is supplied to the display before attempting to mount the display.

WARNING: Watch for pinch points. Do not put your fingers or cables between movable parts.

2. Align the appropriate slots in the bracket with the four mounting holes of your LCD display (see Figure 3).

WARNING: Make sure the mounting screws used to secure your display panel to the mounting bracket are the proper length and diameter. If you are unsure about screw length and/or diameter, consult the display manufacturer before proceeding.

3. Using the proper length and diameter screws (40 or 50), and spacers (60) as necessary, secure your display to the mount.

NOTE: If your display is not equipped with 75 \mm or 100mm mounting pattern, contact Chief Manufacturing to check for an adapter plate for your display model.

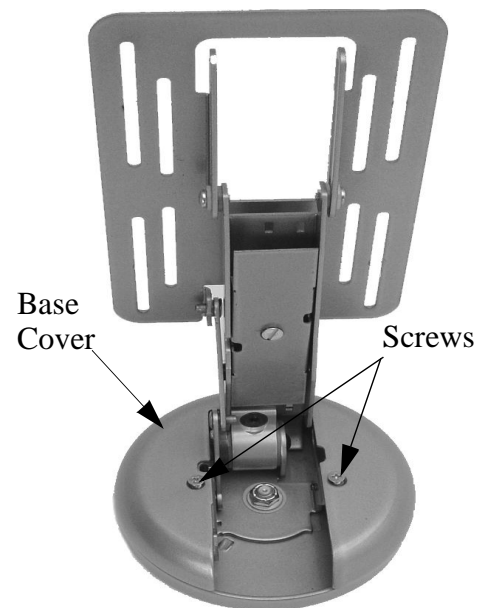


Figure 1. Remove Cover



Figure 2. Mark Mounting Location

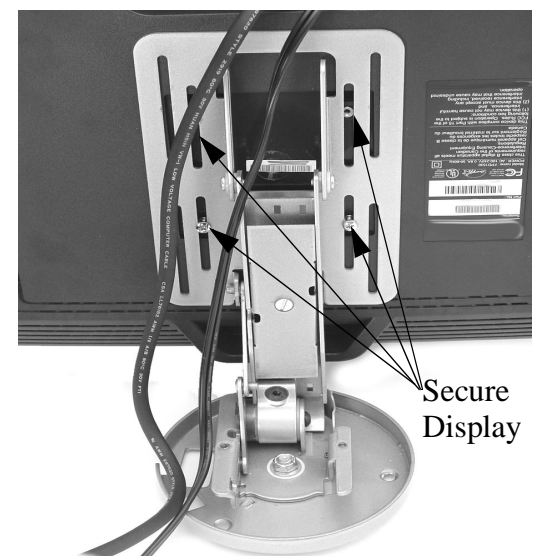


Figure 3. Secure Display

ADJUSTMENTS

Screen Height Adjustment

1. Using a screw driver, slightly loosen the screws (40 or 50) securing the display panel to the mounting bracket (see Figure 4).
2. Adjust the display panel to the desired height.
3. Using a screw driver, tighten the screws securing the display panel to the mounting bracket.

Arm Tension Adjustment

CAUTION: Overtightening adjustment bolt will cause excessive wear and may distort adjustment components.

1. Using a 5/32" Allen wrench (80), slightly tighten or loosen the tension adjustment bolt at the base of the arm (see Figure 5).
2. With display mounted, cycle the FSD to check for desired tension.
3. Repeat Step 1 and Step 2 until desired tension is obtained.

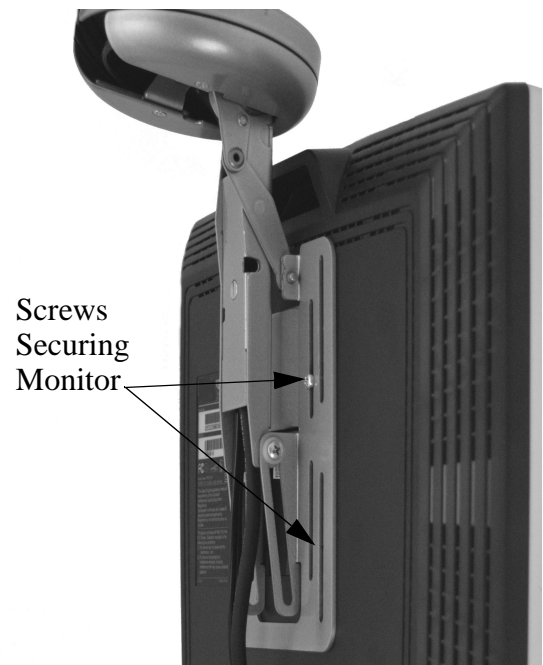


Figure 4. Loosen/Tighten Screws Securing Monitor

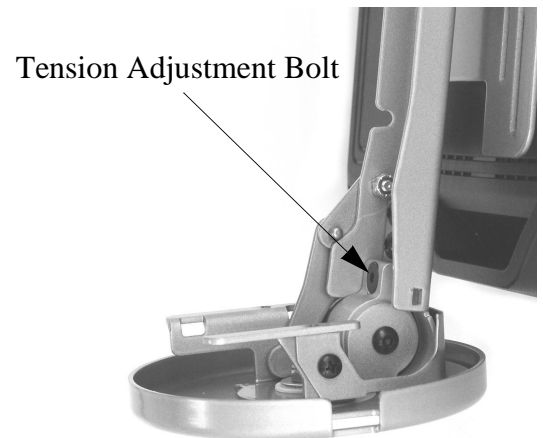


Figure 5. Adjust Arm Tension

CABLE MANAGEMENT

1. Remove screw and cable management cover (10B) (see Figure 6).
2. Route the power/audio/video cables down the arm (see Figure 7).
3. Route the power/audio/video cables through the slot in the bottom of the arm (see Figure 8).
4. Secure the power/audio/video cables using tie wraps.
5. Proceed to “Right and Left 35 Degree Rotation” on page 8 or “Right and Left 110 Degree Rotation” on page 9, depending upon your application.

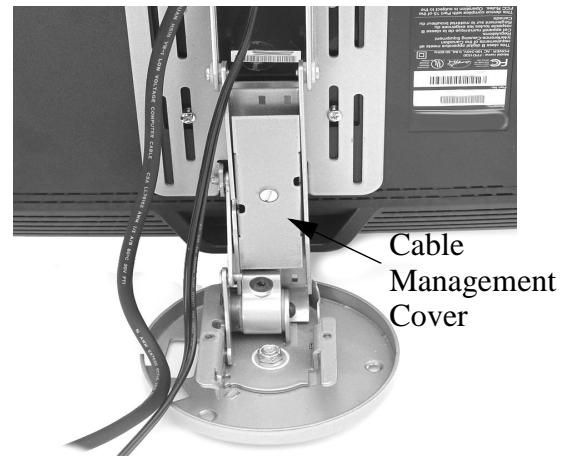


Figure 6. Cable Management Cover



Figure 7. Route Cables Down Arm

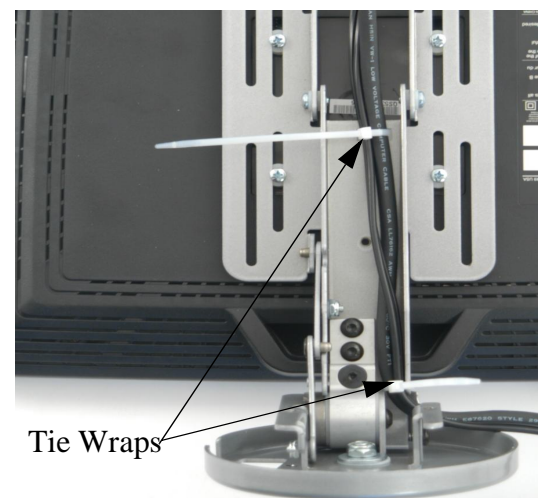


Figure 8. Route & Tie Wrap Cables (Arm)

Right and Left 35 Degree Rotation

1. Turn the base 35 degrees in one direction to its stop (see Figure 9).
2. Neatly and carefully, route the power/audio/video cables through the slot in the side of the base.
3. Secure the power/audio/video cables using a tie wrap (70).
4. Trim excess from tie wrap.
5. Install cable cover (10B) on arm and secure using screw (see Figure 10).
6. Install base cover (10A) on base and secure using two screws (see Figure 10).

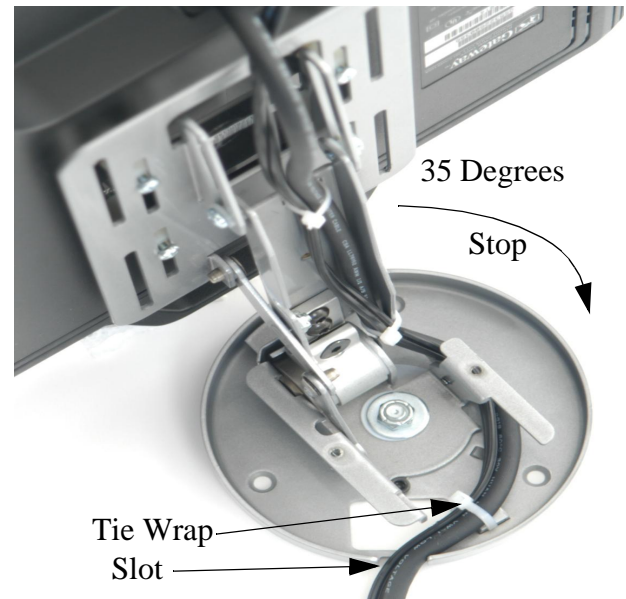


Figure 9. Route & Tie Wrap Cables (Base)

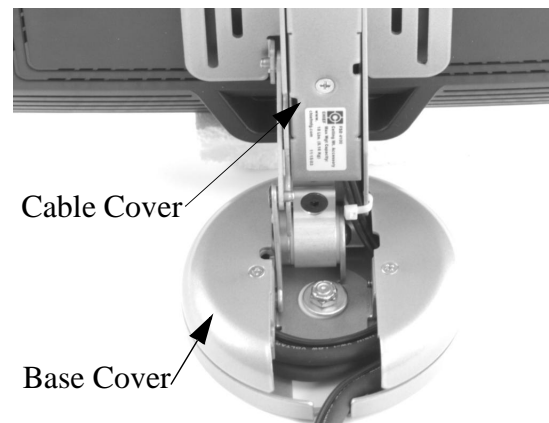


Figure 10. Install Base and Cable Covers

Right and Left 110 Degree Rotation

1. Using an Allen wrench (provided), remove the 35 degree stop (see Figure 11).
2. Turn the base 110 degrees in one direction to its stop (see Figure 12).
3. Neatly and carefully, wrap power/audio/video cables twice inside base with no slop or slack in cables (see Figure 13).
4. Route power/audio/video cables out access hole in base.
5. Secure cables to base using a tie wrap (70).
6. Trim excess from tie wrap.
7. Install cable cover (10B) on arm and secure using screw (see Figure 10).
8. Install base cover (10A) on base and secure using two screws (see Figure 10).

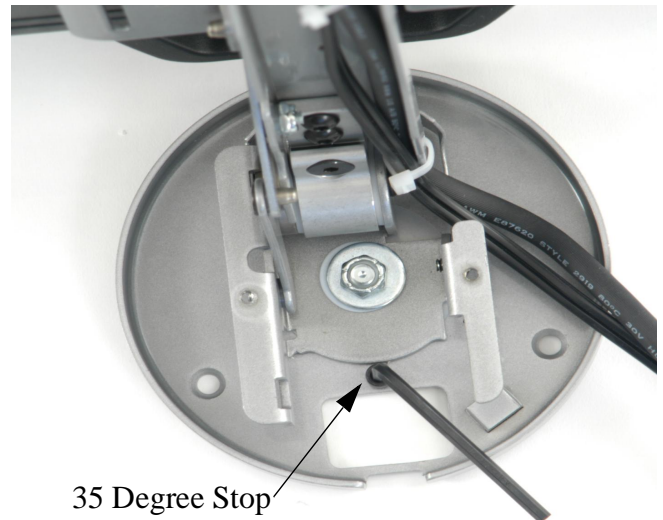


Figure 11. Remove 35 Degree Stop

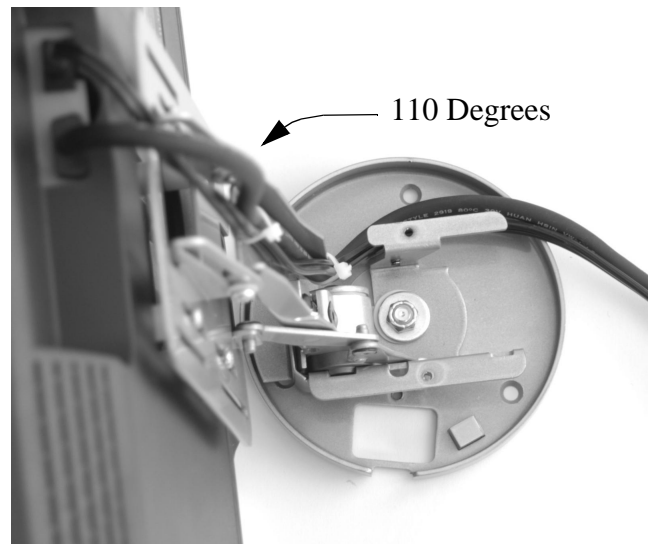


Figure 12. Rotate 110 Degrees



Figure 13. Wrap Cables In Base

Check Rotation

1. Rotate screen in one direction until it reaches its stop (see Figure 14).
2. If there is any binding or pinching, correct problem.
3. Rotate screen in the opposite direction until it reaches its stop (see Figure 15).
4. If there is any binding or pinching, correct problem.
5. If your cables do not allow you to reach the 110 degree limit, reinstall the 35 degree limitation screw.



Figure 14. Rotate In One Direction

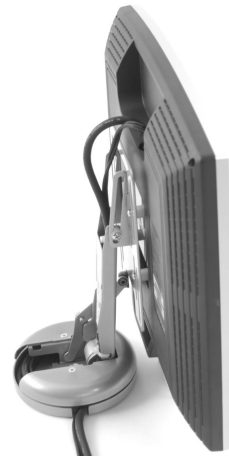


Figure 15. Rotate In Opposite Direction

Free Manuals Download Website

<http://myh66.com>

<http://usermanuals.us>

<http://www.somanuals.com>

<http://www.4manuals.cc>

<http://www.manual-lib.com>

<http://www.404manual.com>

<http://www.luxmanual.com>

<http://aubethermostatmanual.com>

Golf course search by state

<http://golfingnear.com>

Email search by domain

<http://emailbydomain.com>

Auto manuals search

<http://auto.somanuals.com>

TV manuals search

<http://tv.somanuals.com>