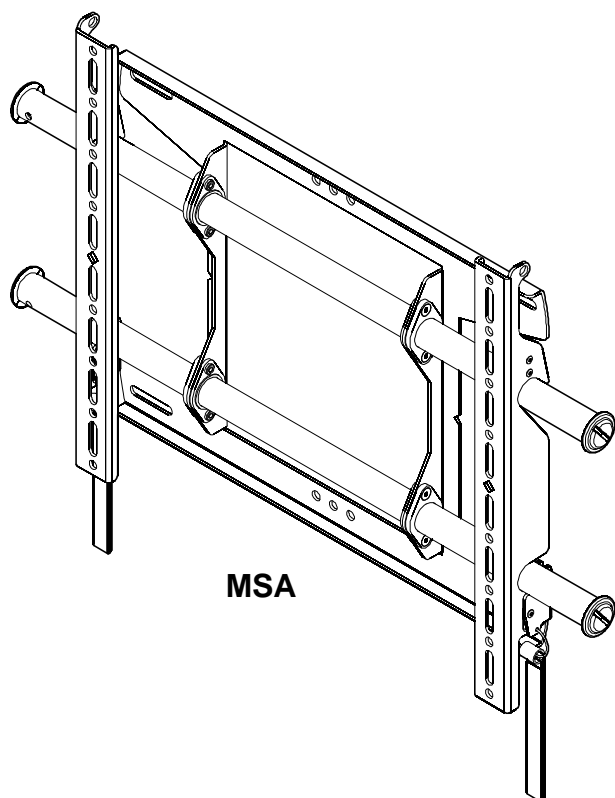


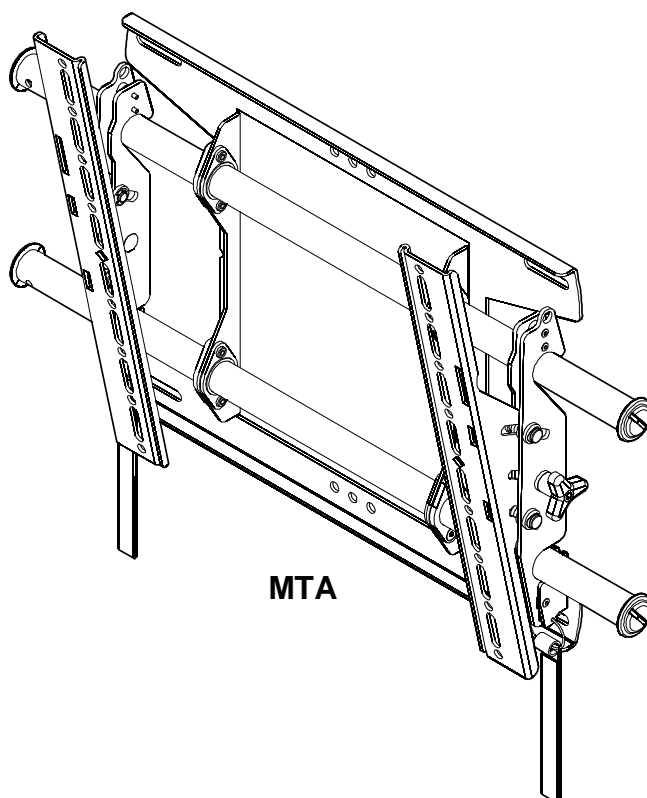
---

# INSTALLATION INSTRUCTIONS

---



MSA



MTA

---

## FUSION MEDIUM FLAT PANEL MOUNTS

---

## DISCLAIMER

Milestone AV Technologies, and its affiliated corporations and subsidiaries (collectively "Milestone"), intend to make this manual accurate and complete. However, Milestone makes no claim that the information contained herein covers all details, conditions or variations, nor does it provide for every possible contingency in connection with the installation or use of this product. The information contained in this document is subject to change without notice or obligation of any kind. Milestone makes no representation of warranty, expressed or implied, regarding the information contained herein. Milestone assumes no responsibility for accuracy, completeness or sufficiency of the information contained in this document.

Chief® is a registered trademark of Milestone AV Technologies. All rights reserved.



## IMPORTANT WARNINGS AND CAUTIONS!



**WARNING:** A WARNING alerts you to the possibility of serious injury or death if you do not follow the instructions.



**CAUTION:** A CAUTION alerts you to the possibility of damage or destruction of equipment if you do not follow the corresponding instructions.



**WARNING:** Failure to read, thoroughly understand, and follow all instructions can result in serious personal injury, damage to equipment, or voiding of factory warranty! It is the installer's responsibility to make sure all components are properly assembled and installed using the instructions provided.

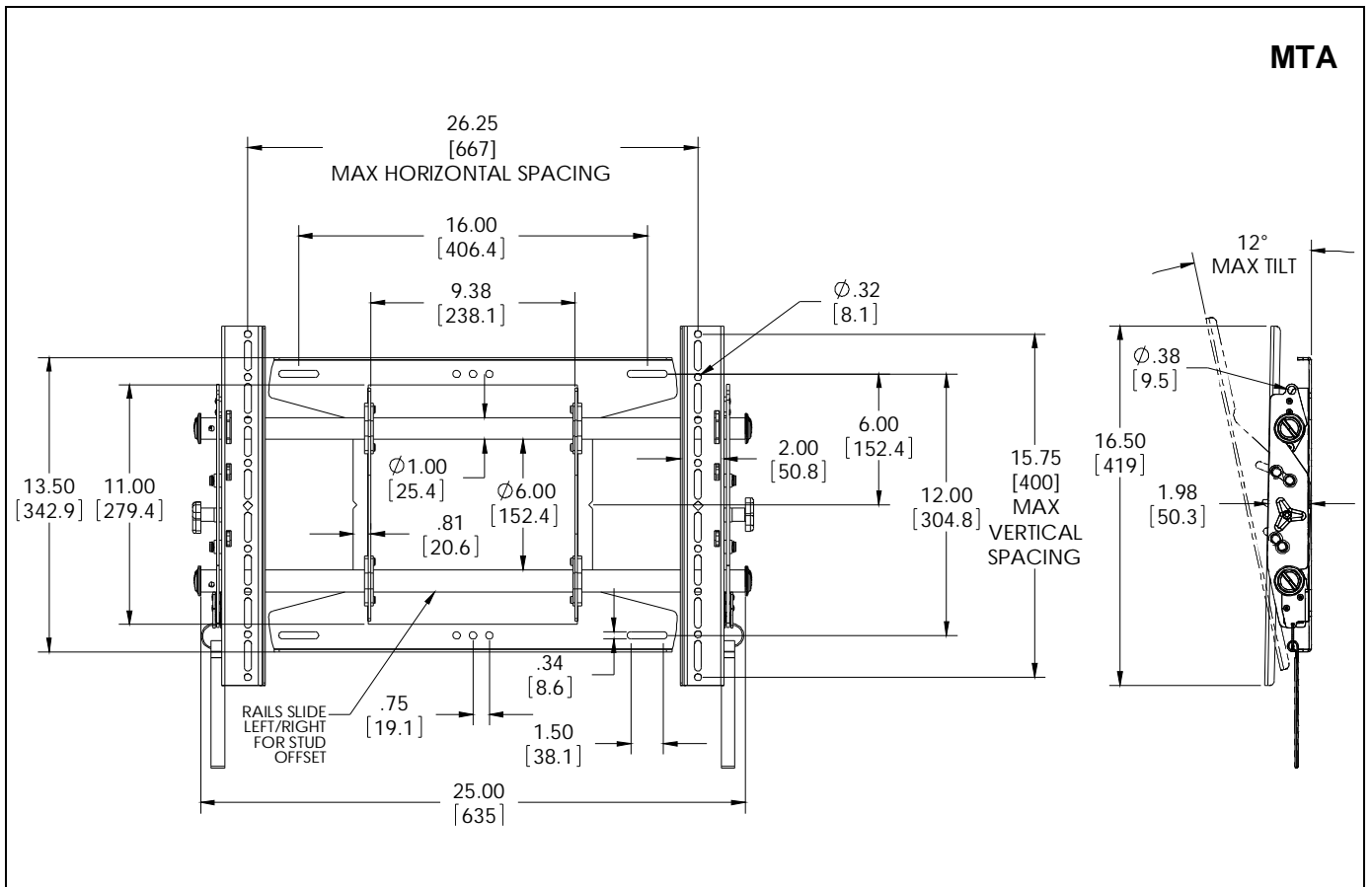
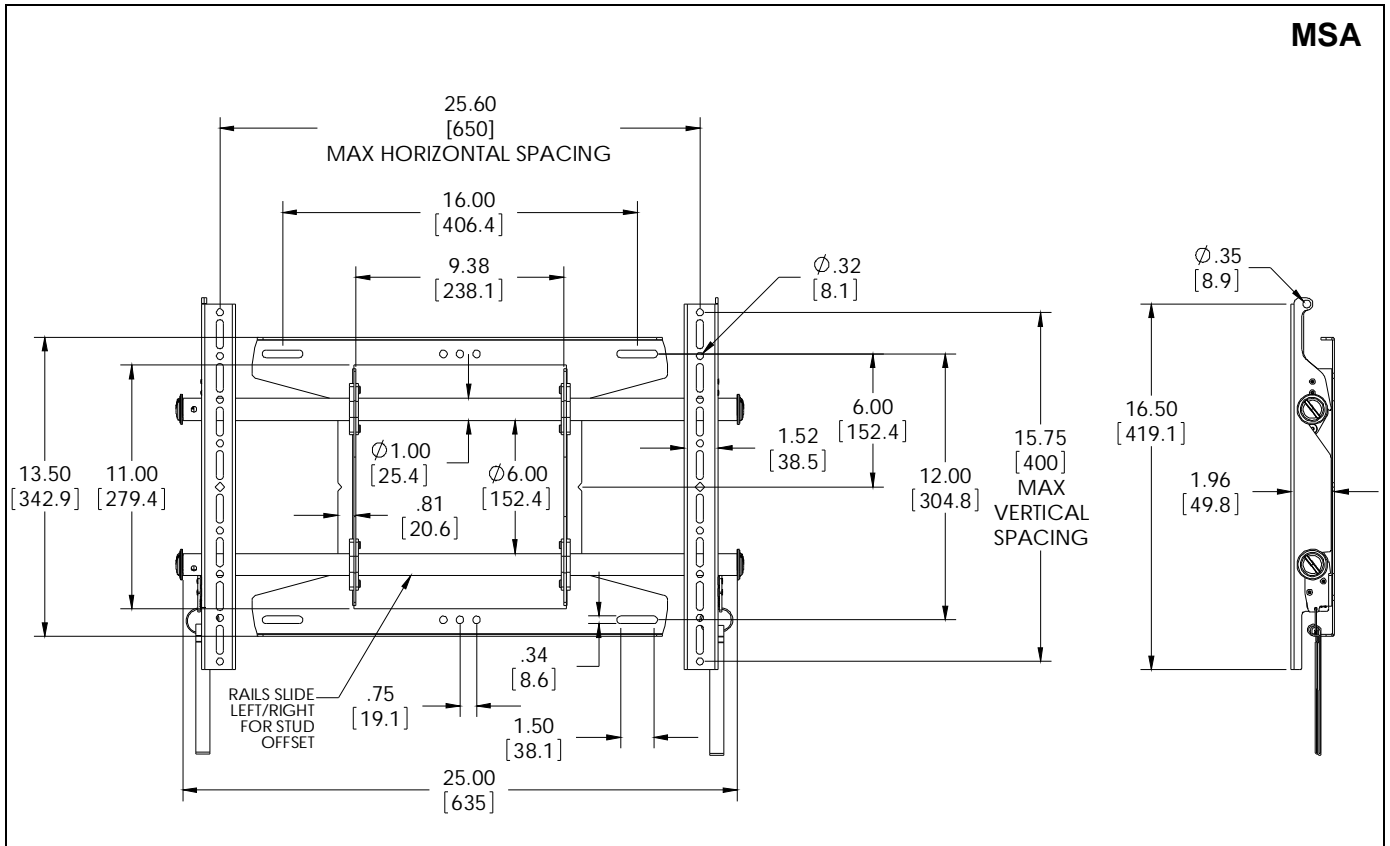


**WARNING:** Failure to provide adequate structural strength for this component can result in serious personal injury or damage to equipment! It is the installer's responsibility to make sure the structure to which this component is attached can support five times the combined weight of all equipment. Reinforce the structure as required before installing the component.

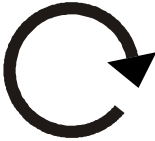

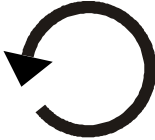











**WARNING:** Exceeding the weight capacity can result in serious personal injury or damage to equipment! It is the installer's responsibility to make sure the combined weight of all components located between the MSA/MTA up to (and including) the display does not exceed 125 lbs (56.7 kg) for dual stud attachment, and 75 lbs (34.0 kg) for single stud attachment.

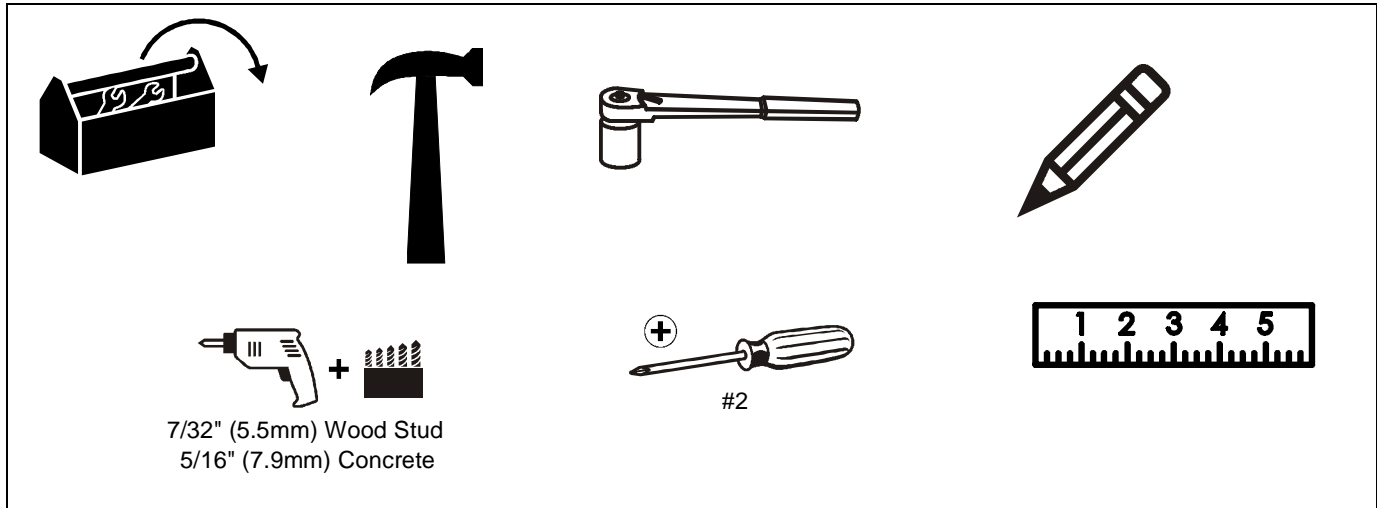
**DIMENSIONS**



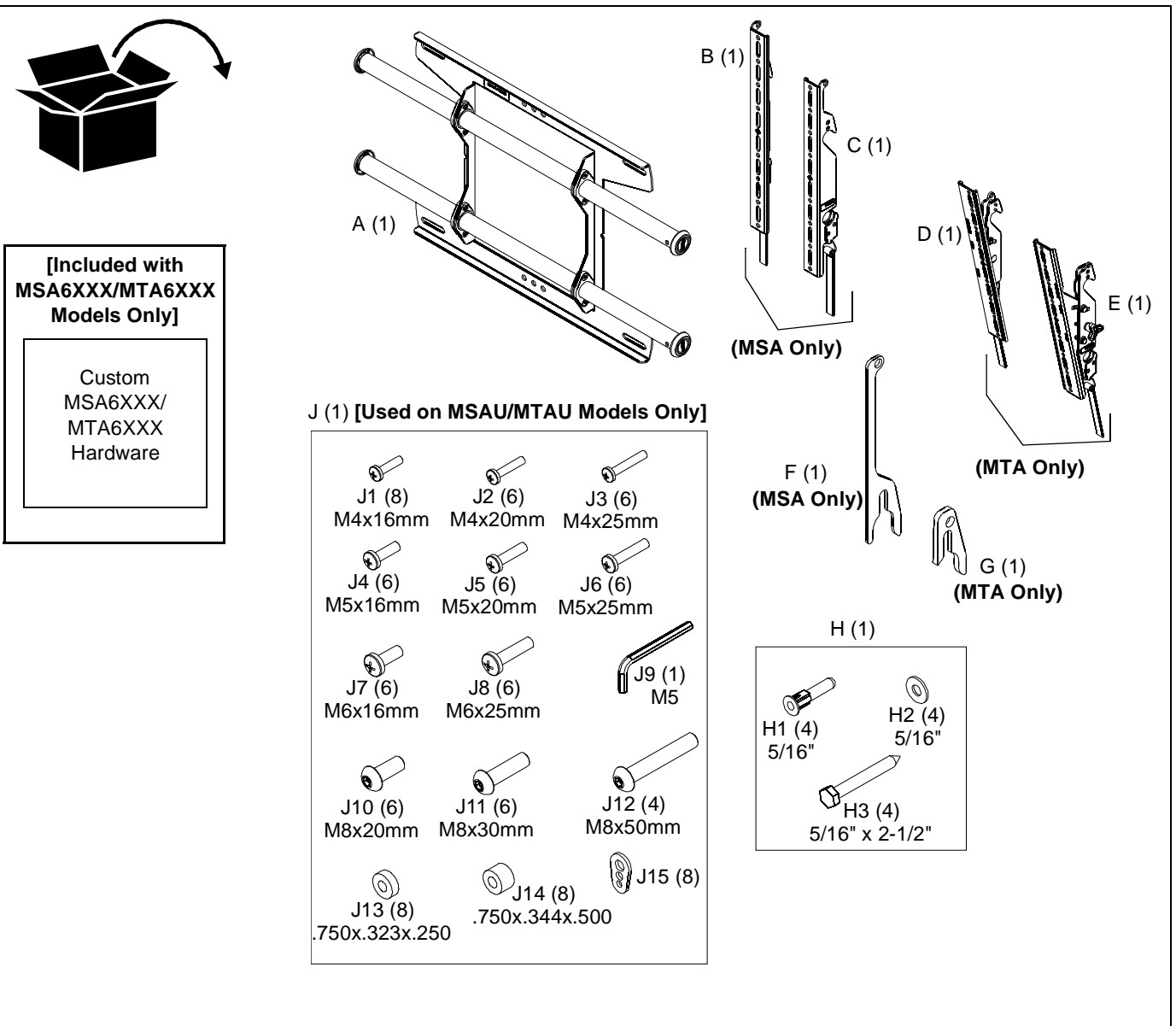
**LEGEND**

	<p><b>Tighten Fastener</b></p> <p>Apretar elemento de fijación</p> <p>Befestigungsteil festziehen</p> <p>Apertar fixador</p> <p>Serrare il fissaggio</p> <p>Bevestiging vastdraaien</p> <p>Serrez les fixations</p>		<p><b>Pencil Mark</b></p> <p>Marcar con lápiz</p> <p>Stiftmarkierung</p> <p>Marcar com lápis</p> <p>Segno a matita</p> <p>Potloodmerkteken</p> <p>Marquage au crayon</p>
	<p><b>Loosen Fastener</b></p> <p>Aflojar elemento de fijación</p> <p>Befestigungsteil lösen</p> <p>Desapertar fixador</p> <p>Allentare il fissaggio</p> <p>Bevestiging losdraaien</p> <p>Desserrez les fixations</p>		<p><b>Drill Hole</b></p> <p>Perforar</p> <p>Bohrloch</p> <p>Fazer furo</p> <p>Praticare un foro</p> <p>Gat boren</p> <p>Percez un trou</p>
	<p><b>Phillips Screwdriver</b></p> <p>Destornillador Phillips</p> <p>Kreuzschlitzschraubendreher</p> <p>Chave de fendas Phillips</p> <p>Cacciavite a stella</p> <p>Kruiskopschroevendraaier</p> <p>Tournevis à pointe cruciforme</p>		<p><b>Adjust</b></p> <p>Ajustar</p> <p>Einstellen</p> <p>Ajustar</p> <p>Regolare</p> <p>Afstellen</p> <p>Ajuster</p>
	<p><b>Open-Ended Wrench</b></p> <p>Llave de boca</p> <p>Gabelschlüssel</p> <p>Chave de bocas</p> <p>Chiave a punte aperte</p> <p>Steeksleutel</p> <p>Clé à fourche</p>		<p><b>Remove</b></p> <p>Quitar</p> <p>Entfernen</p> <p>Remover</p> <p>Rimuovere</p> <p>Verwijderen</p> <p>Retirez</p>
	<p><b>By Hand</b></p> <p>A mano</p> <p>Von Hand</p> <p>Com a mão</p> <p>A mano</p> <p>Met de hand</p> <p>À la main</p>		<p><b>Optional</b></p> <p>Opcional</p> <p>Optional</p> <p>Opcional</p> <p>Opzionale</p> <p>Optie</p> <p>En option</p>
	<p><b>Hex-Head Wrench</b></p> <p>Llave de cabeza hexagonal</p> <p>Sechskantschlüssel</p> <p>Chave de cabeça sextavada</p> <p>Chiave esagonale</p> <p>Zeskantsleutel</p> <p>Clé à tête hexagonale</p>		<p><b>Security Wrench</b></p> <p>Llave de seguridad</p> <p>Sicherheitsschlüssel</p> <p>Chave de segurança</p> <p>Chiave di sicurezza</p> <p>Veiligheidssleutel</p> <p>Clé de sécurité</p>

**TOOLS REQUIRED FOR INSTALLATION**



**PARTS**



## INSTALLATION

The MTA and MSA have been designed to be mounted directly onto either a wood stud or concrete wall. The MTA has brackets which allow the TV to be tilted. The MSA has static brackets which keep the TV in an upright position.

### Locate Mounting Site



**WARNING:** IMPROPER INSTALLATION CAN LEAD TO MOUNT FALLING CAUSING SEVERE PERSONAL INJURY OR DAMAGE TO EQUIPMENT! It is the installers responsibility to make certain the structure to which the mount is being attached is capable of supporting five times the weight of the MSA/MTA not to exceed 125 lbs (56.7 kg) for dual stud attachment, and 75 lbs (34.0 kg) for single stud attachment.



**WARNING:** Proceed to either the **Installing to a Wood Stud Wall** section or the **Installing to a Concrete Wall** section.

### Installing to a Wood Stud Wall

1. Determine the center of the TV screen, and where it should be located on the wall.
2. Locate the closest stud to the left and right of the selected location.

**NOTE:** If the screen area lies over a stud, use that stud if using the **single stud installation method**.

**NOTE:** Use that stud and the stud to either the left or right of it if using the **dual stud installation method**.

3. Line up the notches on mount with center of screen marking to determine vertical center. (See Figure 1)
4. Measure up 6" from the center point to mark location of the upper mounting slots.

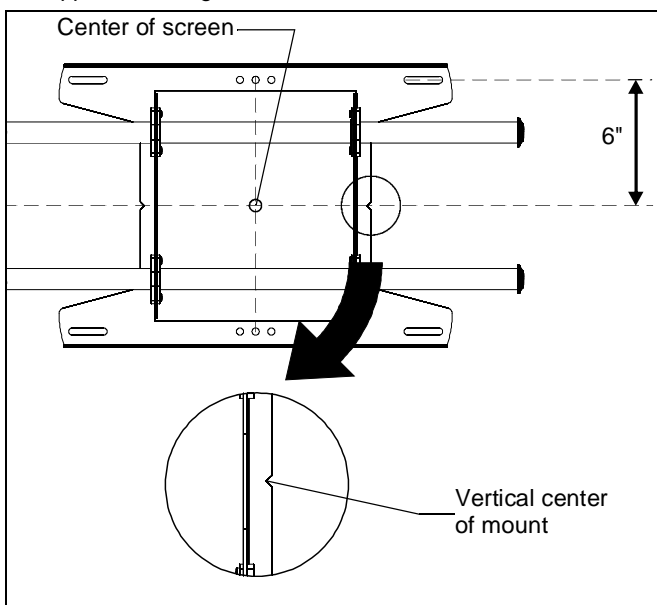


Figure 1

5. Using a level, mark the wall on each stud to attach the mount through the upper mounting slots. (See Figure 2)

**NOTE:** The MSA and MTA may be attached through the mounting slots on dual studs, or through the center mounting holes on a single stud. (See Figure 2)

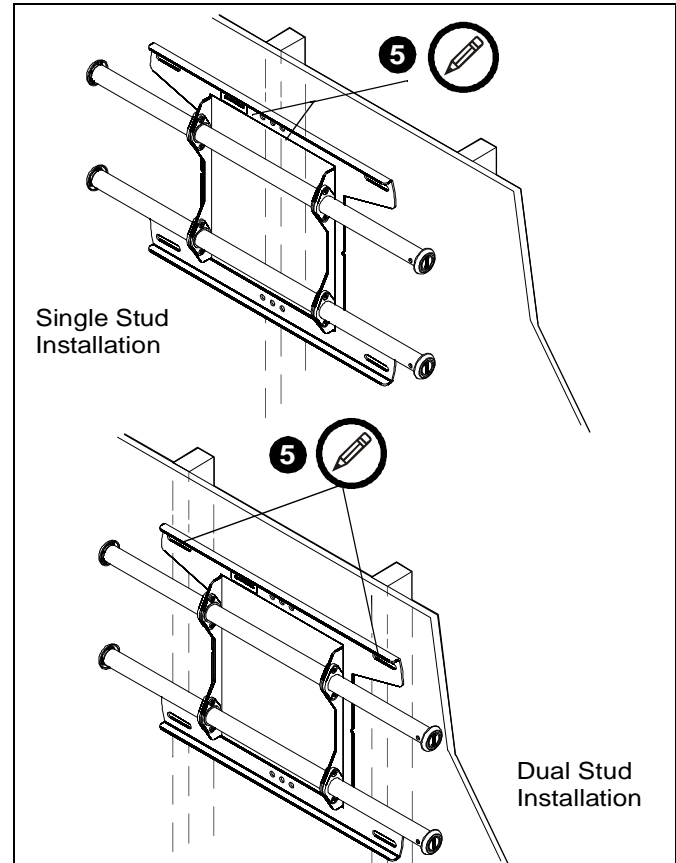


Figure 2



**WARNING:** ELECTRICAL SHOCK HAZARD! CUTTING OR DRILLING INTO ELECTRICAL CORDS OR CABLES CAN CAUSE DEATH OR SERIOUS PERSONAL INJURY! ALWAYS make certain area behind mounting surface is free of electrical wires and cables before drilling or installing fasteners.



**WARNING:** EXPLOSION AND FIRE HAZARD! CUTTING OR DRILLING INTO GAS PLUMBING CAN CAUSE DEATH OR SERIOUS PERSONAL INJURY! ALWAYS make certain area behind mounting surface is free of gas, water, waste, or any other plumbing before cutting, drilling, or installing fasteners.

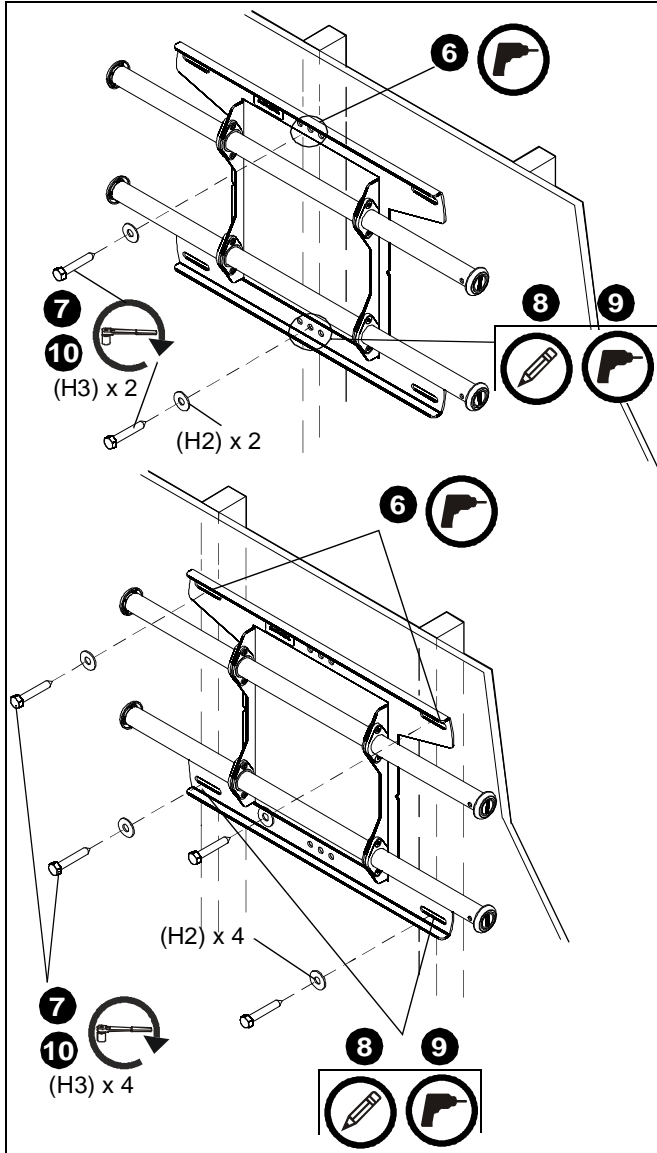


Figure 3

6. Drill one 7/32" pilot hole in each stud.
7. Use two 5/16 x 2-1/2" lag bolts (H3) and two 5/16" flat washers (H2) [one lag bolt and washer for single stud installation] to attach top of mount to wall. (See Figure 3)
8. Mark the attachment points for the lower mounting slots, making sure the attachment points are located on the studs. (See Figure 3)
9. Drill 7/32" pilot holes at markings for lower mounting holes. (See Figure 3)
10. Use two 5/16 x 2-1/2" lag bolts (H3) and two 5/16" flat washers (H2) [one lag bolt and washer for single stud installation] to attach the mount to the wall through the lower mounting holes. (See Figure 3)
11. Slide rails to approximate center of screen location.

**Installing to a Concrete Wall**

1. Determine the center of the TV screen, and where it should be located on the wall.

2. Line up the notches on mount with center of screen marking to determine vertical center. (See Figure 1)
3. Measure up 6" from the center point to mark location of the upper mounting slots. (See Figure 1)
4. Using a level, mark the wall through both upper mounting slots. (See Figure 4)



**WARNING:** ELECTRICAL SHOCK HAZARD! CUTTING OR DRILLING INTO ELECTRICAL CORDS OR CABLES CAN CAUSE DEATH OR SERIOUS PERSONAL INJURY! ALWAYS make certain area behind mounting surface is free of electrical wires and cables before drilling or installing fasteners.



**WARNING:** EXPLOSION AND FIRE HAZARD! CUTTING OR DRILLING INTO GAS PLUMBING CAN CAUSE DEATH OR SERIOUS PERSONAL INJURY! ALWAYS make certain area behind mounting surface is free of gas, water, waste, or any other plumbing before cutting, drilling, or installing fasteners.

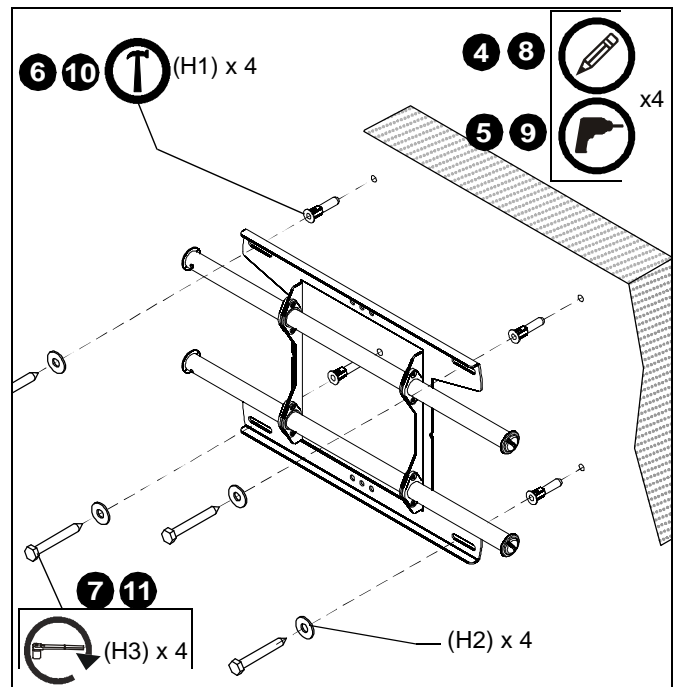


Figure 4

5. Drill one 5/16" pilot hole at each marking.
6. Install an anchor (H1) into each pilot hole using a hammer.
7. Use two 5/16 x 2-1/2" lag bolts (H3) and two 5/16" flat washers (H2) to attach top of mount to anchors in wall.
8. Mark the attachment points for the lower mounting slots. (See Figure 4)
9. Drill one pilot hole at each marking for lower mounting holes. (See Figure 4)
10. Install an anchor (H1) into each pilot hole using a hammer.
11. Use two 5/16 x 2-1/2" lag bolts (H3) and two 5/16" flat

washers (H2) to attach the mount to the wall through the lower mounting holes. (See Figure 4)

- Slide rails to approximate center of screen location.

### Attaching Interface Brackets to TV

- Align the center of the bracket with center of screen. (See Figure 4)

**NOTE:** The diamond-shape hole in the bracket corresponds to the center of the mount.

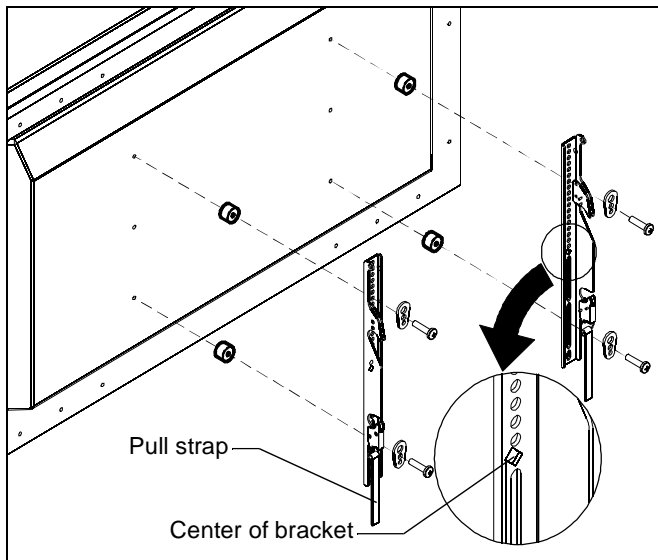


Figure 5



**WARNING:** IMPROPER INSTALLATION CAN LEAD TO DISPLAY FALLING CAUSING SERIOUS PERSONAL INJURY OR DAMAGE TO EQUIPMENT! Using screws of improper size may damage your display. Properly sized screws will easily and completely thread into display mounting holes. If spacers are required, be sure to use longer screws of the same diameter.

- Select correct screws, spacers (if necessary) and washers from the hardware bag and attach brackets to back of screen. (See Figure 5)

### Switching Interface Brackets (Optional)

If an installation situation makes adjusting the location of interface brackets necessary, there are several options.

- The wall bracket may be adjusted side to side at the points of attachment. (See Figure 6)
- The location of the left and right interface brackets may be switched, with the knobs on the MTA interface brackets facing the inside of the mount. (See Figure 6)

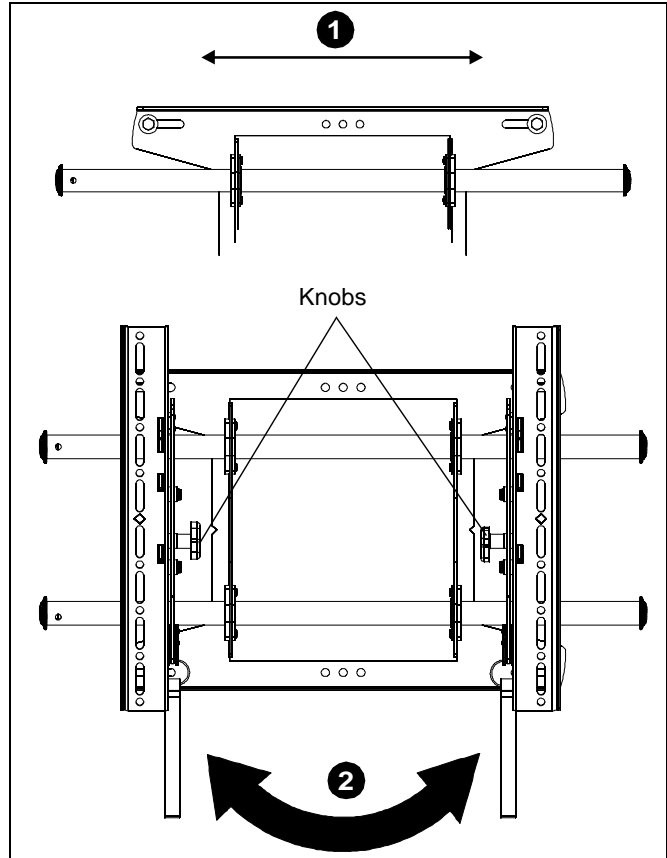


Figure 6

- If necessary, the tilt interface bracket knobs may be switched to allow the interface brackets to be reversed. (See Figure 7)
  - Remove display from mount.
  - Remove interface brackets from display.
  - Hold the right interface bracket horizontally, tightly gripping it so that spacers do not move.
  - Remove the knob, washer and screw.
  - Replace the knob, washer and screw in the opposite order, with the knob on the inside of the bracket.
  - Switch the right interface bracket to the left side of the wall mount.
  - Repeat Steps 3c through 3f with the left interface bracket.



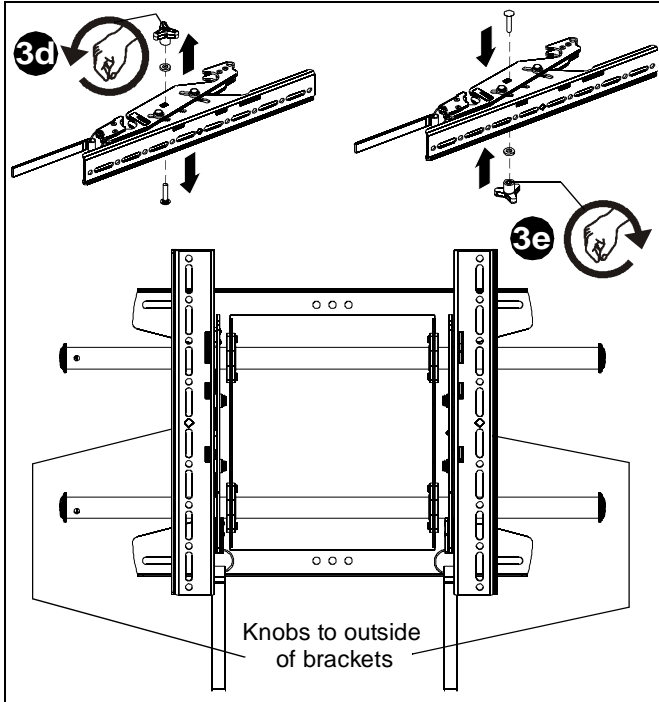


Figure 7

**Attaching Screen to Wall Mount**

1. Adjust Velcro® pull strap (if necessary) so it does not extend beyond bottom of screen. (See Figure 8)

**NOTE:** Do NOT allow both interface brackets to be located on same side of wall bracket. (See Figure 8)

**NOTE:** NEVER place both interface brackets to one side of the wall mount center line! (See Figure 8)

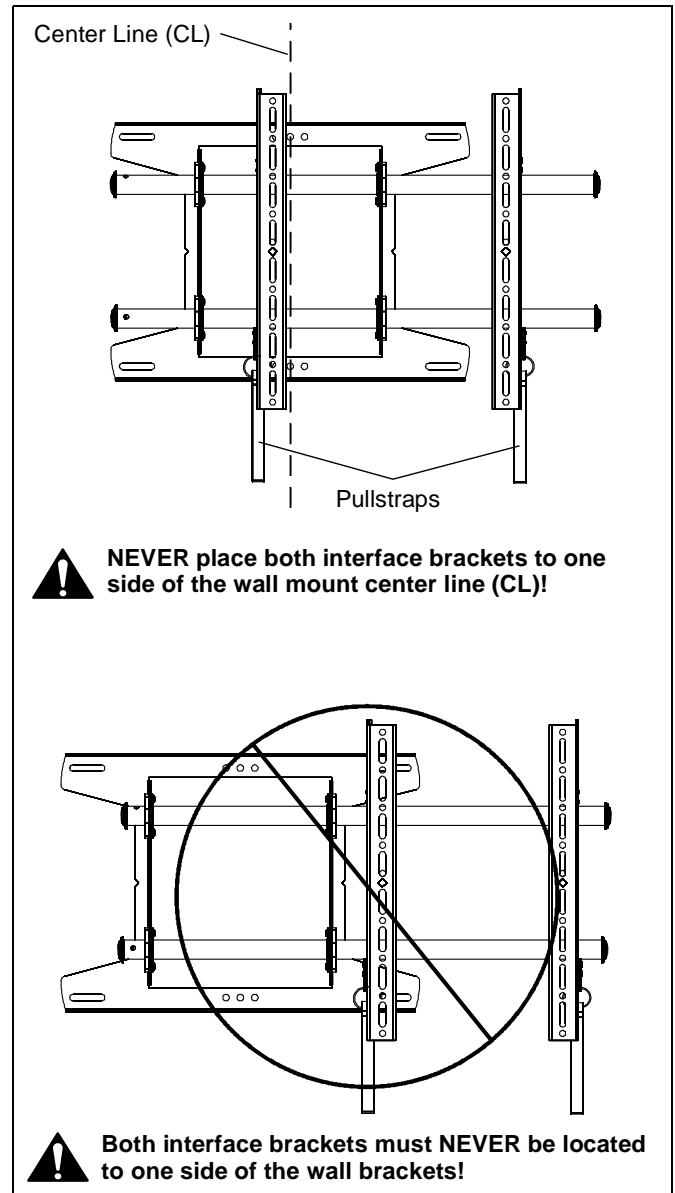


Figure 8

2. Hang top hook of interface brackets onto the top bar of the mount. (See Figure 9)

**NOTE:** The screen initially installs into the "kickstand mode" to allow easy cable access.

3. Slide screen and bars to desired viewing position.
4. Route cables between wall and bars.



**CAUTION:** PINCH POINTS! Keep fingers, hands and cables out of pinch point areas.

5. Pull downward on the pullstraps and swing inward toward wall, latching interface brackets to lower bar and locking bottom of screen to the mount. (See Figure 9)

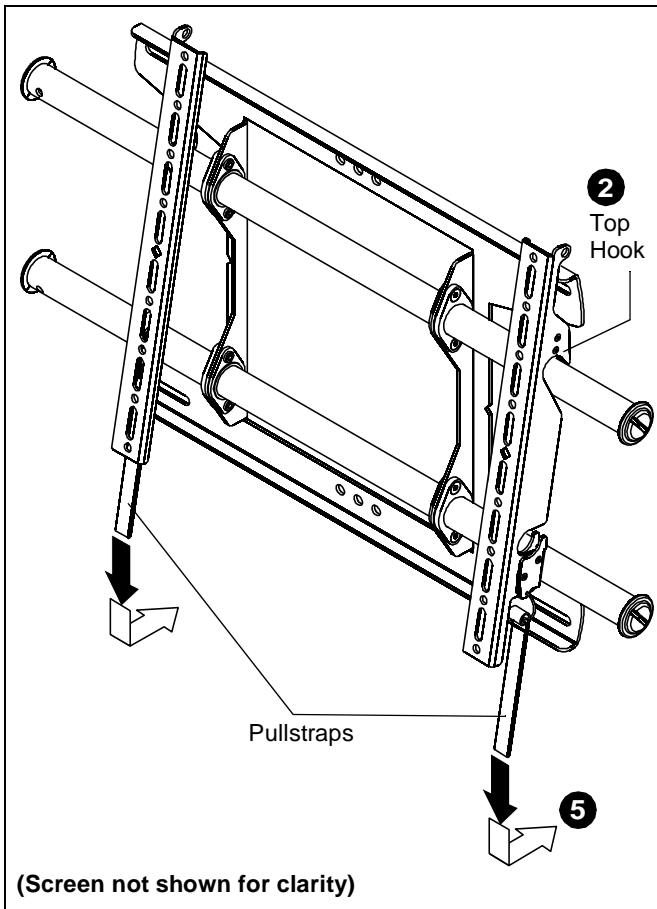


Figure 9

### Locking Mount (Optional)

1. Add optional security bracket (F or G) to the mount. (See Figure 10)
2. Add padlock (not included) to complete security.

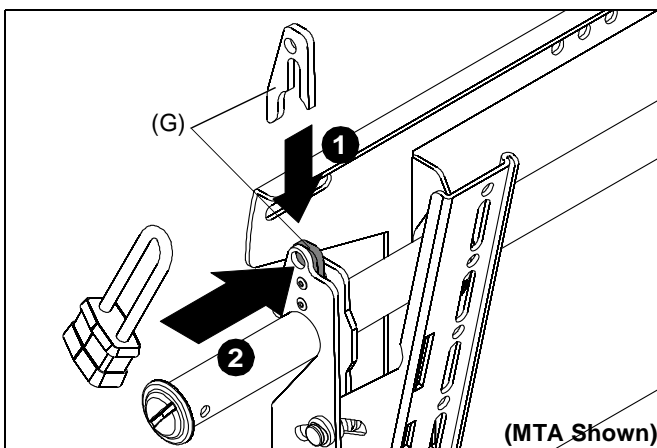


Figure 10





Our Mounts. **Your Vision.**

Chief Manufacturing, a division of  
Milestone AV Technologies

8831-000025

©2008 Milestone AV Technologies

[www.chiefmfg.com](http://www.chiefmfg.com)

09/08

<b>USA/International</b>	<b>A</b> 8401 Eagle Creek Parkway, Savage, MN 55378 <b>P</b> 800.582.6480 / 952.894.6280 <b>F</b> 877.894.6918 / 952.894.6918
<b>Europe</b>	<b>A</b> Fellenoord 130 5611 ZB EINDHOVEN, The Netherlands <b>P</b> +31 (0)40 2668620 <b>F</b> +31 (0)40 2668615
<b>Asia Pacific</b>	<b>A</b> Room 24F, Block D, Lily YinDu International Building LuoGang, BuJi Town, Shenzhen, CHINA. 深圳市布吉罗岗村百合银都国际大厦D栋24F <b>P</b> +86-755-8996 9226 <b>F</b> +86-755-8996 9217

## Free Manuals Download Website

<http://myh66.com>

<http://usermanuals.us>

<http://www.somanuals.com>

<http://www.4manuals.cc>

<http://www.manual-lib.com>

<http://www.404manual.com>

<http://www.luxmanual.com>

<http://aubethermostatmanual.com>

Golf course search by state

<http://golfingnear.com>

Email search by domain

<http://emailbydomain.com>

Auto manuals search

<http://auto.somanuals.com>

TV manuals search

<http://tv.somanuals.com>