

---

# INSTALLATION INSTRUCTIONS

---

## PLP Series Wall Mount

The PLP Series wall mount accommodates large flat screens weighing up to 200 lbs (90.72kg). The teardrop holes in the mount allow for quick connect/disconnect of the screen, thus simplifying installation and maintenance processes.

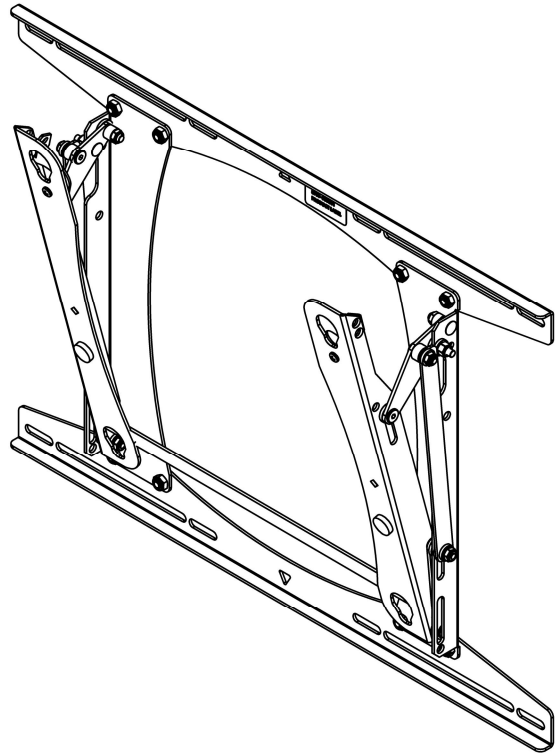
The top and bottom mounting brackets are adaptable to supporting framework with wood studs that are 16" on center or 24" on center.

The mount has integrated lateral shift, allowing for four different mounting options. For dual wood studs 16" on center, the lateral shift is  $\pm 4.5$  inches. For dual wood studs 24" on center, the lateral shift is  $\pm 0.5$  inches.

The display can be pulled and tilted by hand into any position in the zero-to-15 degree tilt range and remain stationary.

The bottom of the mount pulls forward 4" from the wall and locks into place for installation of cable connections.

The mount also uses Chief's exclusive Q-Latch™ mounting system, which offers quick connect/disconnect display mounting. The display is secured to the mount with a latching flag. For additional security, you can lock the latching flag in place by adding a padlock.



**PLP Series**

**! IMPORTANT:** If the installation of this product requires OSHPD seismic approval, refer to OSHPD pre-approval documents and drawings before beginning installation. OSHPD documents and drawings are available at [www.chiefmfg.com](http://www.chiefmfg.com), and located on the product information page for the mount.

## BEFORE YOU BEGIN

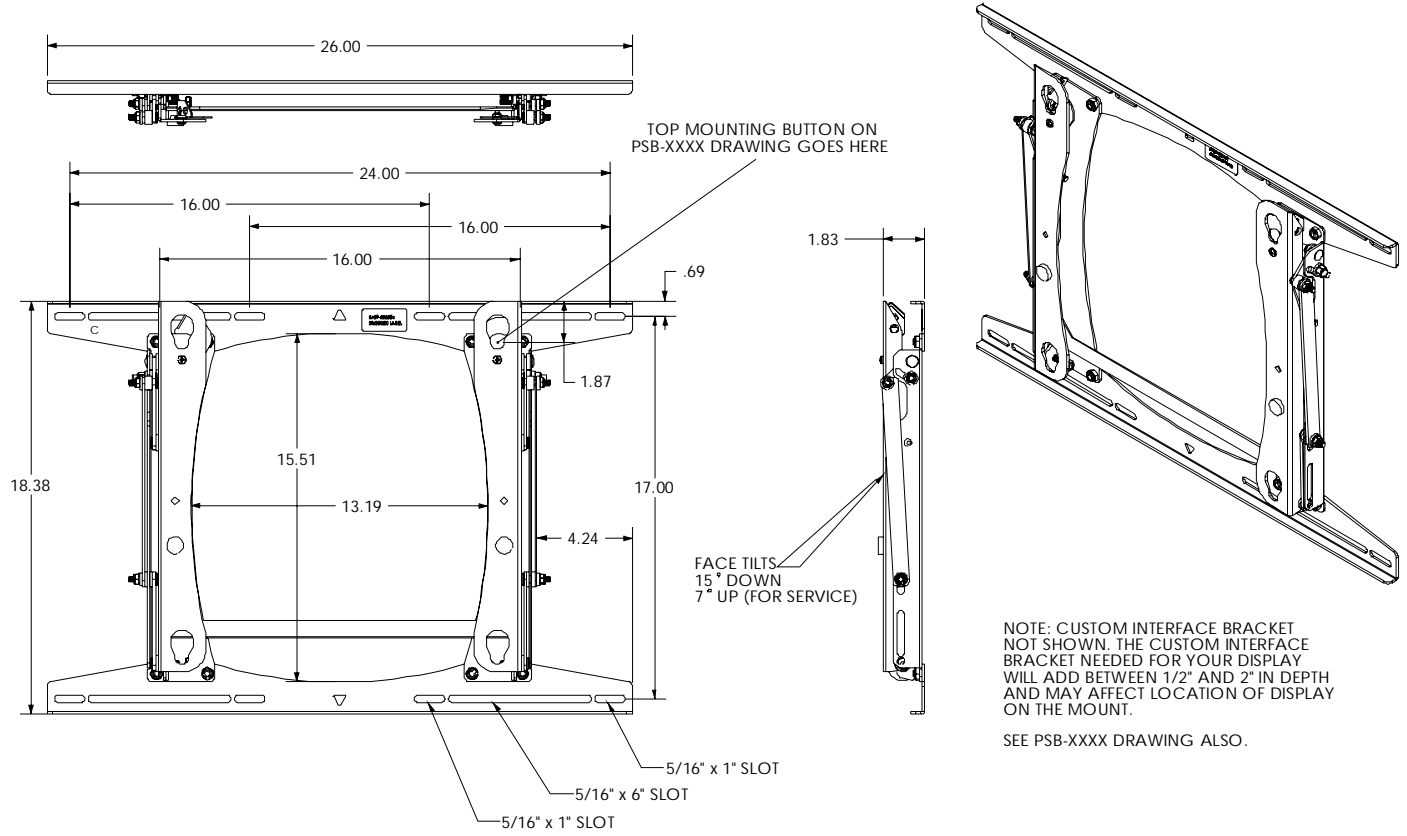
- **CAUTION:** To prevent damage to your monitor and PLP, which could affect or void the Factory warranty, thoroughly study all instructions and illustrations before you begin to install the mount. Pay particular attention to the Warnings and Cautions in this document.
- The mount is designed to be installed using wall studs or supporting framework. The fasteners used to anchor the mount must be capable of supporting five times the total weight of the equipment.
- The maximum weight to be installed on the PLP Series wall mount is 200 lbs (90.72kg).
- If you have any questions about this installation, contact Chief Manufacturing at 1-800-582-6480 or 952-582-6480.



## **IMPORTANT WARNINGS and CAUTIONS!**

<b>WARNING</b>	A <b>WARNING</b> alerts you to the possibility of serious injury or death if you do not follow the instructions.
<b>CAUTION</b>	A <b>CAUTION</b> alerts you to the possibility of damage or destruction of equipment if you do not follow the corresponding instructions.
• <b>WARNING</b>	<b>Improper installation can result in serious personal injury! Make sure that the structural members can support a redundant weight factor <i>five times</i> the total weight of the equipment. If not, reinforce the structure before installing the mount.</b>
• <b>WARNING</b>	<b>Be aware of the potential for personal injury or damage to the equipment if it is not installed correctly. Consider the weight of the mount without the display.</b>
• <b>WARNING</b>	<b>The installer is responsible for verifying that the display to which the wall mount is fastened will safely support the combined load of all attached components or other equipment.</b>
• <b>WARNING</b>	<b>The combined weight of the display placed on the wall mount must not exceed 200 lbs (90.72kg), the maximum support weight of the mount.</b>
• <b>WARNING</b>	<b>Watch for pinch points. Do not put your fingers between movable parts.</b>
• <b>WARNING</b>	<b>Make sure the flag securing the display is completely lowered at all times <i>except</i> when removing or installing the display. The flag must be all the way down when installing/removing cables.</b>
• <b>CAUTION</b>	<b>Check the unit for shipping damage before you begin the installation.</b>

# DIMENSIONAL DRAWING



# CONTENTS

DIMENSIONAL DRAWING ..... 3  
 TOOLS REQUIRED FOR INSTALLATION..... 4  
 PARTS LIST ..... 4  
 PLP INSTALLATION ..... 5  
     Select Mounting Location ..... 5  
     Mount the PLP ..... 6  
 ATTACH PSB TO THE DISPLAY..... 7  
 INSTALL THE DISPLAY ..... 7  
 REMOVE THE DISPLAY ..... 7  
 TILT ADJUSTMENT ..... 8  
 CABLE CONNECTION ..... 8

# PARTS LIST

Prior to assembly, unpack the carton completely. Verify contents listed in Table 1 and Figure 1.

Read installation instructions completely. If you are missing any of the listed parts, contact Customer Service at: 1-800/582-6480.

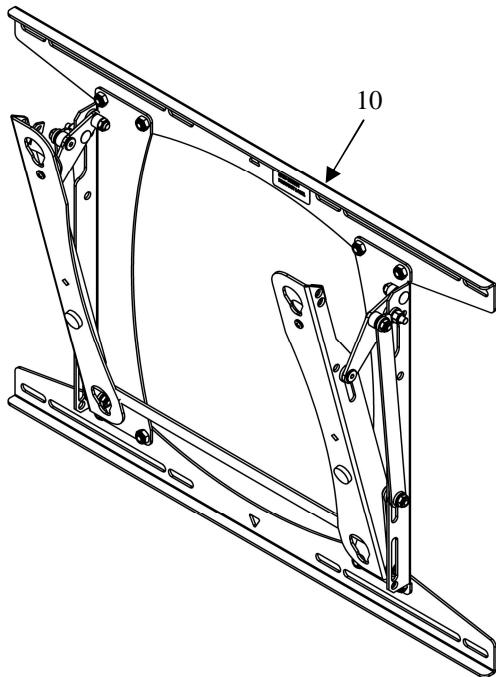
**Table 1. Parts List**

REF	DESCRIPTION	QTY
10	PLP Series Wall Mount	1
20	BOLT, Lag, 5/16" x 2-1/2"	4
30	WASHER, 5/16"	4

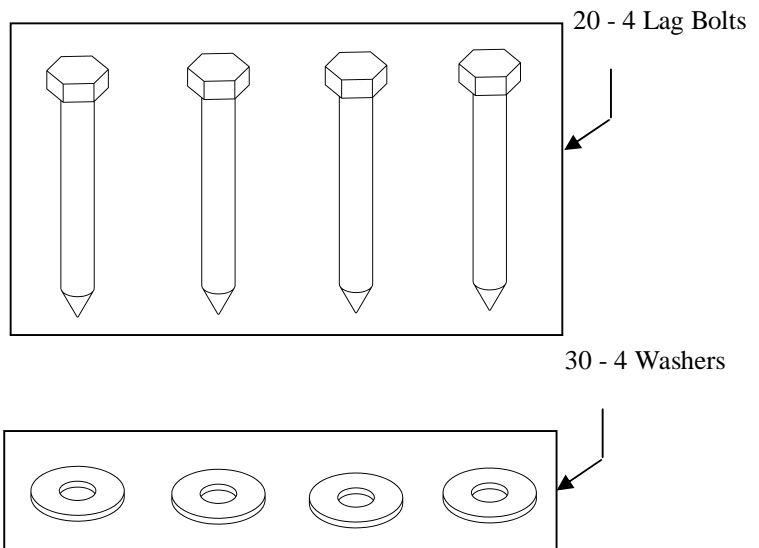
# TOOLS REQUIRED FOR INSTALLATION

- Drill and drill bit set
- Socket wrench set

**NOTE:** Other tools may be required depending on your method of installation.



**Figure 1. PLP Parts**



## PLP INSTALLATION

Perform the following procedures to mount the PLP.

### Select Mounting Location

To select the mounting location, do the following:

**WARNING: It is the responsibility of the installer to verify that the wall to which the mount is anchored will safely support the combined load of all attached components and equipment.**

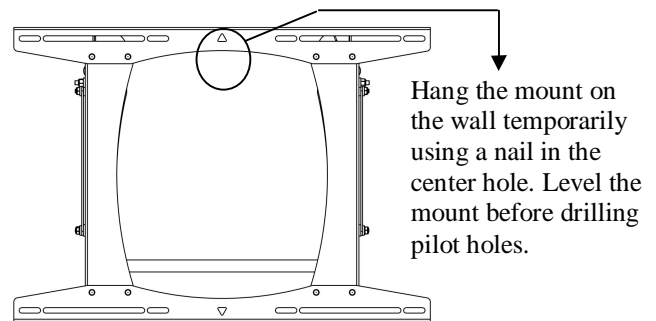
1. Determine the exact mounting location to install the wall mount prior to installation, keeping in mind the screen size.

**NOTE:** Mount the PLP on dual wall studs or some other equivalent supporting framework that is vertical or horizontal.

2. Using a stud sensor, locate the two wood studs where you will mount the PLP as follows:
  - Refer to Figure 3 for wood studs that are 16" apart on center.

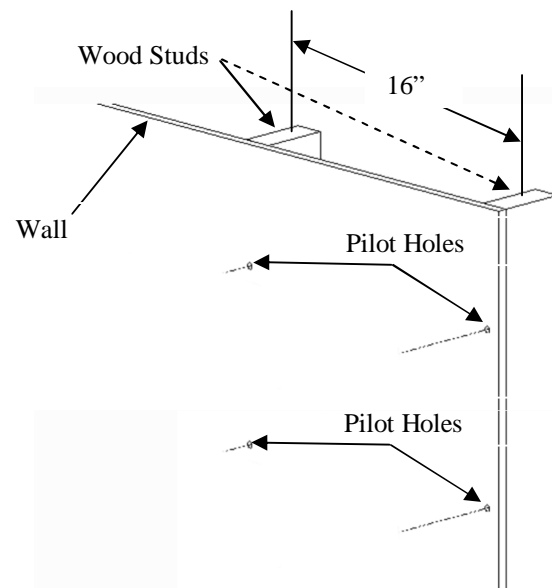
**OR**

- Refer to Figure 4 for wood studs that are 24" apart on center.
3. Using a nail as a temporary hook, hang the mount on the wall using the triangular hole located in the center of the mount (see Figure 2).
  4. Use a pencil to mark the mounting holes where the four pilot holes will be drilled into the center of the wood stud. Make sure the mounting holes are square and straight. Remove the mount from the wall, placing it on the floor or a table.
  5. Drill pilot holes using a 7/32" drill.

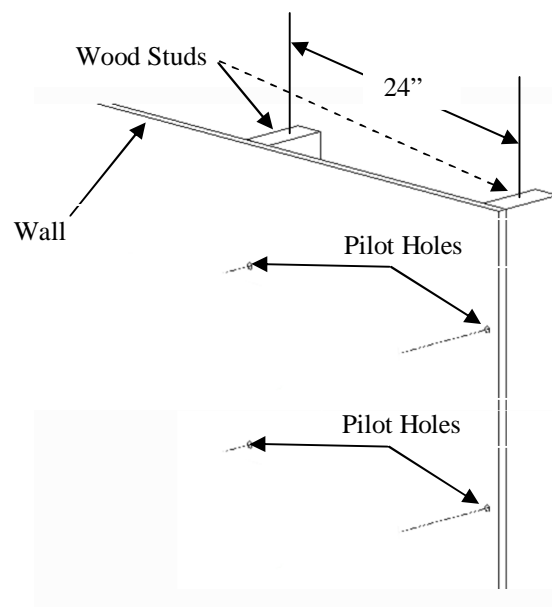


Hang the mount on the wall temporarily using a nail in the center hole. Level the mount before drilling pilot holes.

**Figure 2. Use Triangular Hole to Hang the Mount**



**Figure 3. Wood Studs 16" Apart on Center**



**Figure 4. Wood Studs 24" Apart on Center**

## PLP INSTALLATION (Cont'd)

### Mount the PLP

To mount the PLP, do the following:

1. Holding the PLP against the wall, select the pair of mounting holes that best suits your situation (see Figures 5, 6, and 7).

**NOTE:** The mounting holes are slotted to allow for a small degree of lateral movement. The mount can be centered, or shifted to the left of center, or right of center depending on stud location.

2. Depending on your situation, install the lag bolts and washers into the pilot holes previously drilled, as described below.

- **Option A.** Install four 5/16" x 2-1/2" lag bolts (20) and four 5/16" washers (30) (two top and two bottom) into the mounting holes, centering the PLP on dual wood studs 16" apart on center as shown in Figure 5.

**OR**

- **Option B.** Install four 5/16" x 2-1/2" lag bolts (20) and four 5/16" washers (30) (two top and two bottom) into the mounting holes that are *right of center* on dual wood studs 16" apart as shown in Figure 6.

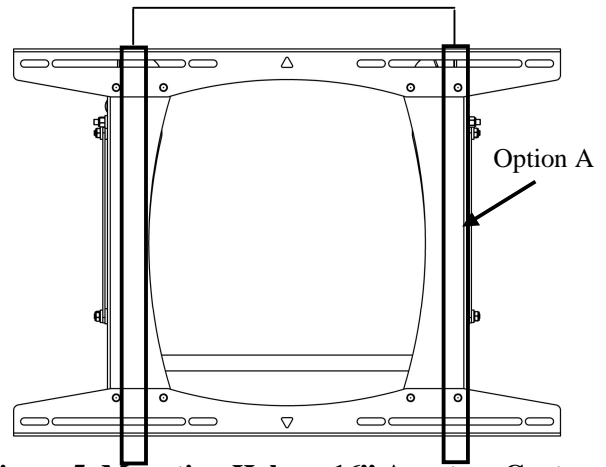
**OR**

- **Option C.** Install four 5/16" x 2-1/2" lag bolts (20) and four 5/16" washers (30) (two top and two bottom) into the mounting holes that are *left of center* on dual wood studs 16" apart on center as shown in Figure 6.

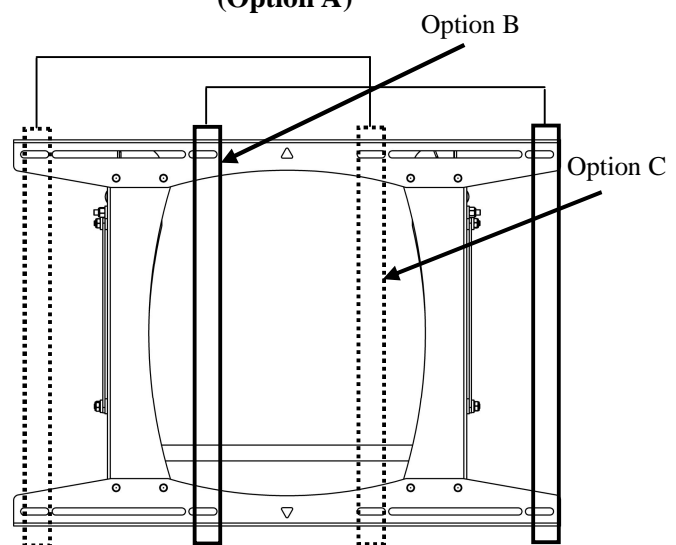
**OR**

- **Option D.** Install four 5/16" x 2-1/2" lag bolts (20) and four 5/16" washers (30) (two top and two bottom) into the mounting holes, centering the PLP on dual wood studs 24" apart on center as shown in Figure 7.

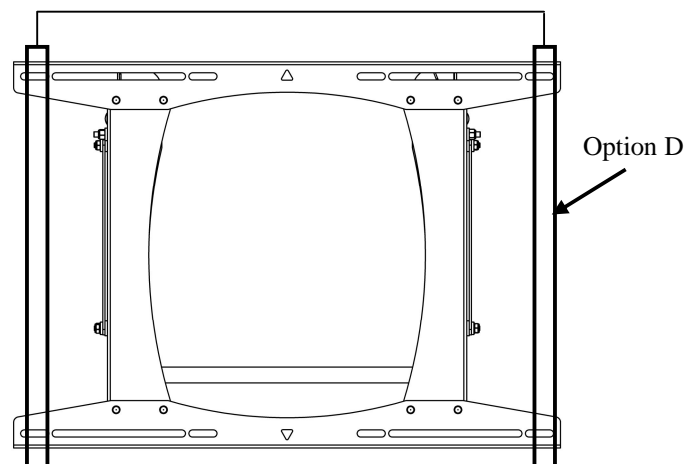
3. Tighten all lag bolts.



**Figure 5. Mounting Holes – 16" Apart on Center (Option A)**



**Figure 6. Mounting Holes – 16" Apart on Center (Options B and C)**



**Figure 7. Mounting Holes – 24" Apart On Center (Option D)**

## ATTACH PSB TO THE DISPLAY

To attach the PSB to the display, do the following:

- To help you identify the correct PSB that matches the model number of your display, refer to the cross-reference chart at [www.chiefmfg.com](http://www.chiefmfg.com).
- To download the corresponding PSB installation instructions, refer to [www.chiefmfg.com](http://www.chiefmfg.com).

### OR

- Contact Customer Service at 952-582-6480 if you have any questions about how to select the PSB that matches the model number of your display.

## INSTALL THE DISPLAY

To install the display, do the following:

**NOTE:** Verify that all power/audio/video cables are disconnected from the display and the latching flag is lowered in the down position before attempting to mount the display.

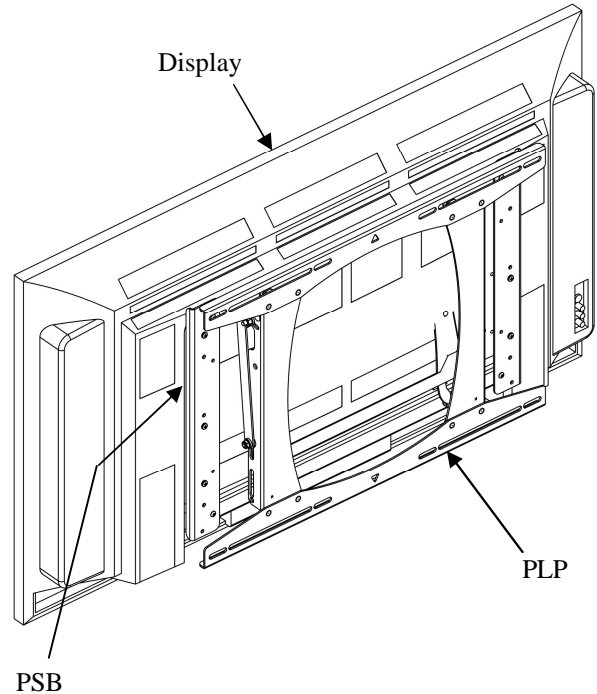
1. With the aid of another person, lift the display up to the mount on the wall, aligning mounting buttons with the teardrop slots on the mount, and lower the display firmly into place (Figure 8).
2. Raise the latching flag to secure the display (see Figure 9). If the flag does not fully engage, check to ensure the mounting buttons are fully seated in the slots.

**NOTE:** A padlock may be installed through the hole in the latching flag for additional security.

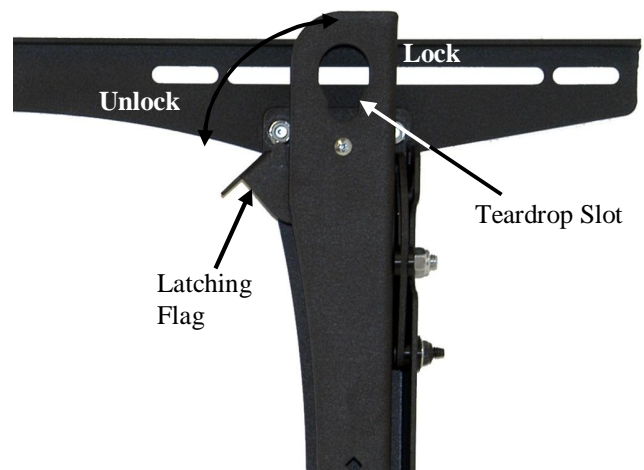
## REMOVE THE DISPLAY

To remove the display from the mount, do the following:

1. Disconnect all power/audio/video cables.
2. Lower the latching flag to unlock the display (refer to Figure 9).
3. With the aid of another person, lift the display up and out of the teardrop slots in the mount to remove the display.



**Figure 8. Install the Display**



**Figure 9. Raise Latching Flag to Lock**

## TILT ADJUSTMENT

To tilt the display 0° to 15° down, do the following:

1. Manually tilt the display 0° to 15° down into the desired position.
2. If desired, tighten the nut (see Figure 10) to increase the amount of tension needed to hold the mount in the position set in Step 1.

**NOTE:** Tighten the nuts only to adjust the amount of tension needed to manually tilt and hold the mount in place. Do not over-tighten the nuts. Over-tightening the nuts may cause excessive wear and may damage your mount.

3. Repeat Steps 1 and 2 until the desired tension is obtained.

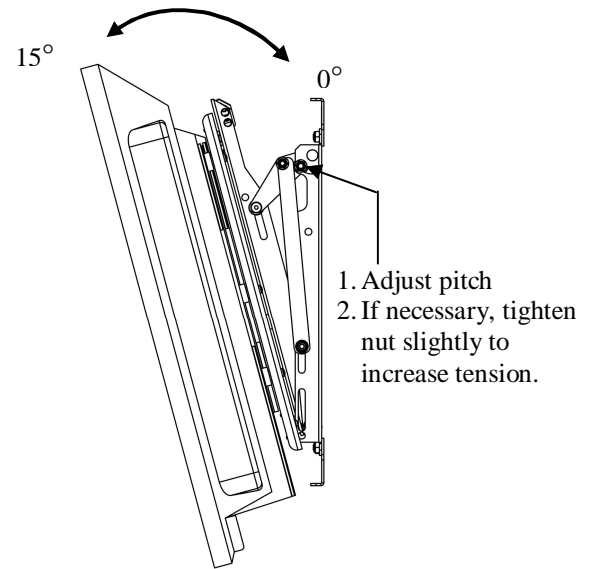


Figure 10. Tilt Display Down

## CABLE CONNECTION

To install or remove cables, do the following:

1. Manually tilt display down slightly (see Figure 10), and then pull bottom of display out (see Figure 11).
2. Lower center support bar to keep the display tilted up (see Figure 12).
3. Perform service. For example: Connect or disconnect the power/audio/video cables.

**NOTE:** The service position is not recommended as a final display position.

4. Raise the center support bar and reposition the display to desired position (if necessary, refer to “TILT ADJUSTMENT” procedure) after service is completed.

**WARNING:** Watch for pinch points. Do not put your fingers between moveable parts.

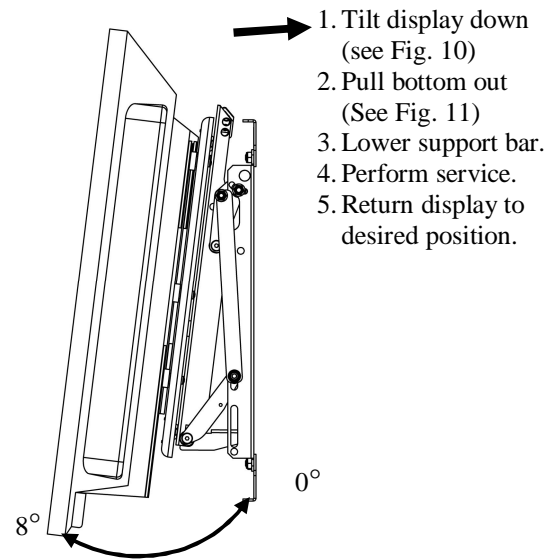


Figure 11. Tilt Display Up (for service only)

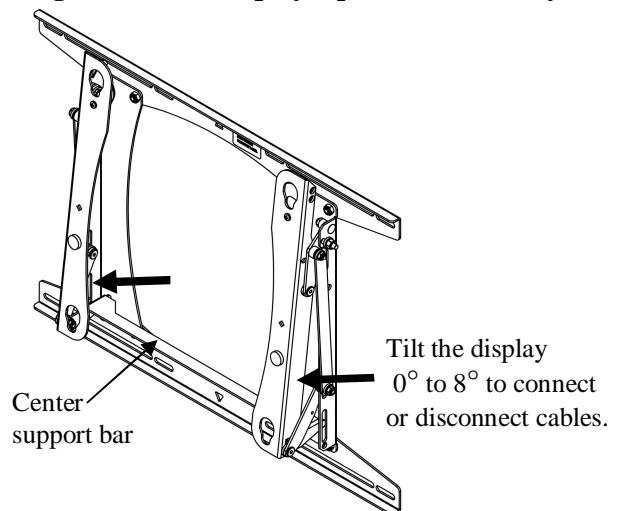


Figure 12. Cable Connection



## Free Manuals Download Website

<http://myh66.com>

<http://usermanuals.us>

<http://www.somanuals.com>

<http://www.4manuals.cc>

<http://www.manual-lib.com>

<http://www.404manual.com>

<http://www.luxmanual.com>

<http://aubethermostatmanual.com>

Golf course search by state

<http://golfingnear.com>

Email search by domain

<http://emailbydomain.com>

Auto manuals search

<http://auto.somanuals.com>

TV manuals search

<http://tv.somanuals.com>