
INSTALLATION INSTRUCTIONS

HEAVY DUTY FIXED WALL MOUNT

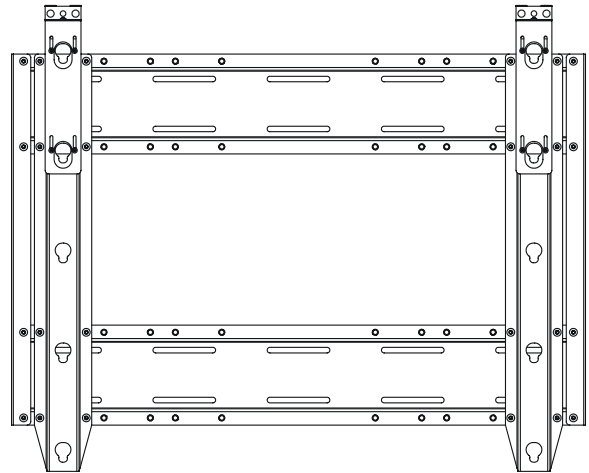
Model: PSH-2000

Specifications:

- Accommodates Akira and Orion 84" displays without interface bracket; accommodates other large flat panel displays with optional interface bracket.

NOTE: Interface bracket, if required, will result in additional installation depth. Contact Chief for details.

- Designed for installation on dual wood studs (16" or 24" on center).
- Weight capacity of 250 lbs (113 kg).



BEFORE YOU BEGIN



CAUTION: To prevent damage to your display and this unit, which could affect or void the factory warranty, thoroughly study all instructions and illustrations before installation. Pay particular attention to the Warnings and Cautions in this document.

- If you have any questions about this installation, contact Chief Manufacturing at 1-800-582-6480 or 952-894-6280.



CHIEF MANUFACTURING INC.
1-800-582-6480 952-894-6280 FAX 952-894-6918
8401 EAGLE CREEK PARKWAY, STE 700
SAVAGE, MINNESOTA 55378 USA

8805-000067 Rev F
©2006 Chief Manufacturing
www.chiefmfg.com
01/06

! IMPORTANT WARNINGS AND CAUTIONS!

WARNING: A WARNING alerts you to the possibility of serious injury or death if you do not follow the instructions.

CAUTION: A CAUTION alerts you to the possibility of damage or destruction of equipment if you do not follow the corresponding instructions.

! WARNING: It is the installer's responsibility to make sure the structure to which this unit is attached can support five times the combined weight of all equipment. Reinforce the structure as required before installing the unit. Failure to provide adequate structural strength for this unit can result in serious personal injury or damage to equipment!

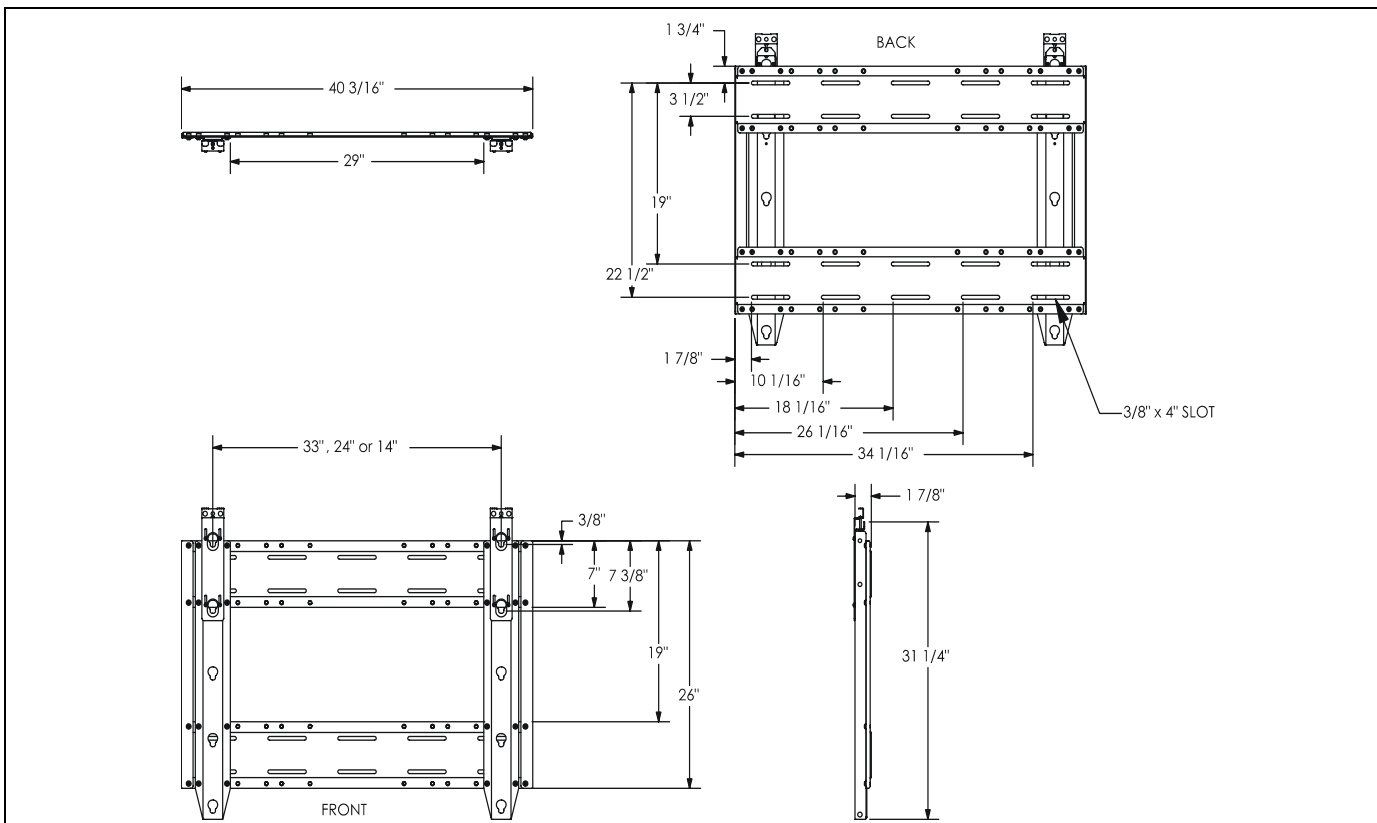
! WARNING: It is the installer's responsibility to make sure all components are properly assembled and installed using the instructions provided. Failure to follow instructions can result in serious personal injury or damage to equipment!

! WARNING: It is the installer's responsibility to make sure the combined weight of the display, mount, accessories, and any other attached equipment must not exceed 250 lbs (113 kg), the maximum support weight of this unit. Exceeding the maximum support weight can result in serious personal injury or damage to equipment!

! WARNING: Make sure the latches securing the display are fully closed at all times except when removing or installing the display. The latches must be fully closed when installing or removing cables from the display.

! CAUTION: Check the unit for shipping damage before you begin the installation.

DIMENSIONS



TOOLS REQUIRED FOR INSTALLATION

- Drill and 7/32" drill bit
- 13mm wrench
- 1/2" wrench
- Phillips screwdriver, #2
- M5 Hex Key (provided)
- 3/16" Hex Key (provided)
- 5/32" Hex Key (provided)

NOTE: Other tools may be required depending on your method of installation.

PARTS

Unpack carton, inspect and verify contents (See Figure 1). Read installation instructions completely. If any listed parts are missing or damaged, contact Chief Customer Service at 1-800-582-6480.

Table 1: Parts

Item	Description	Qty
10	PLATE, Wall	2
20	BRACKET, Static	2
30	BRACKET, Side Support	2
40	LATCH	2
50	SPACER, 0.194" ID x 0.375" OD x 0.032"	8
60	SCREW, Button Head Cap, 10-24 x 1/2"	8
70	SCREW, Phillips Pan Machine, 10-24 x 1-1/2"	2
80	SCREW, Button Head Cap, M8-1.25 x 25mm	6
90	BUTTON, Mounting	6
100	WASHER, Flat, Machine, M8	6
110	WASHER, Lock, Split, M8	6
120	NUT, Hex, Finished Standard, M8	6
130	SCREW, Button Head Cap, 5/16"-18 x 1/2"	24
140	KEY, Hex, M5 (Slightly larger than 150)	1
150	KEY, Hex, 3/16"	1
160	KEY, Hex, 1/8"	1
	BOLTS, Hex Head Lag, 5/16" x 2-1/2" (Required, not supplied)	8
	WASHER, Flat, Machine, 5/16" (Required, not supplied)	8

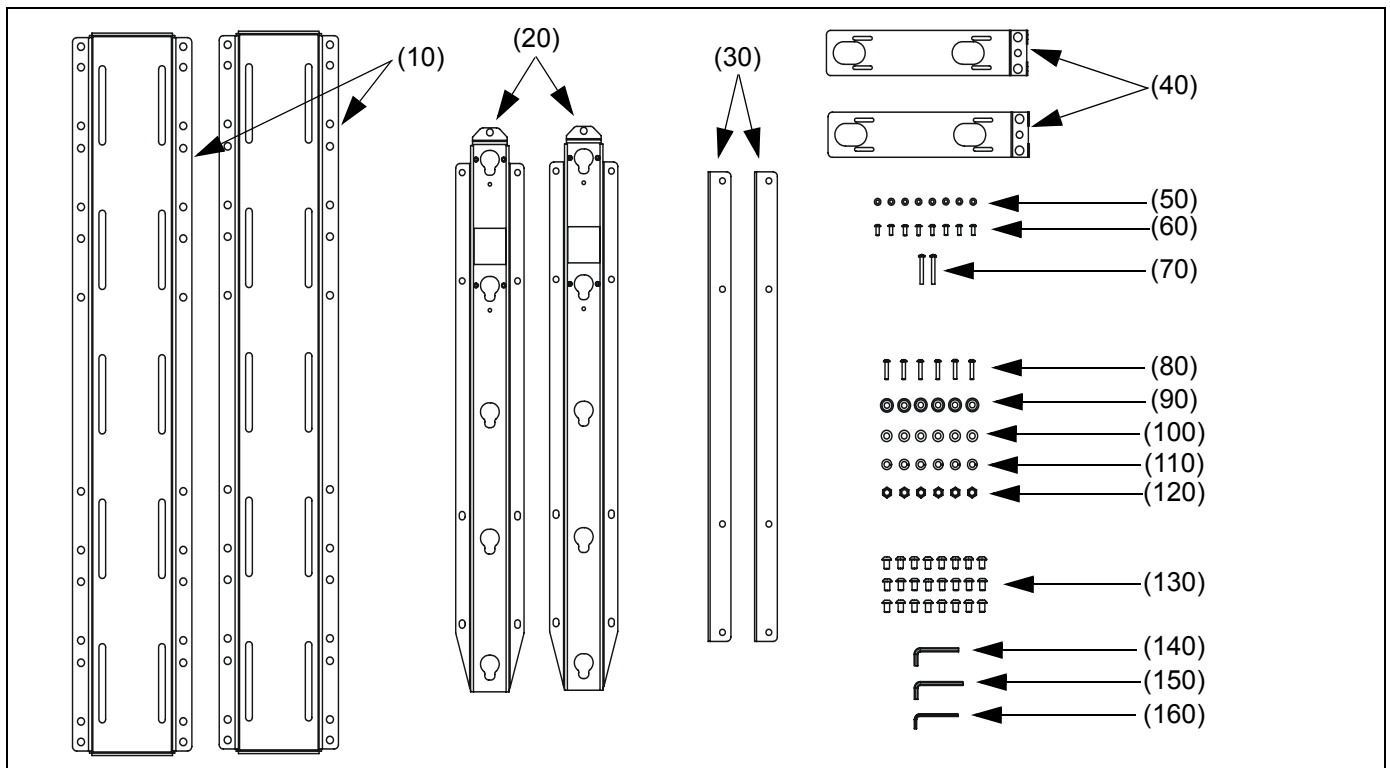


Figure 1: Parts

ASSEMBLY AND INSTALLATION

NOTE: Read the Warnings and Cautions on page 2.

INSTALL MOUNTING BUTTONS

Installation of the mounting buttons is dependent on your specific display. Three options are provided:

- Akira 84" and Orion 84" displays
- Modular 84" displays
- Other large flat panel displays

AKIRA 84" AND ORION 84" DISPLAYS

1. Using key (140), insert screw (80) through button (90) and install into threaded mounting hole on back of display (See Figure 2). Tighten securely.
2. Repeat for remaining five buttons.

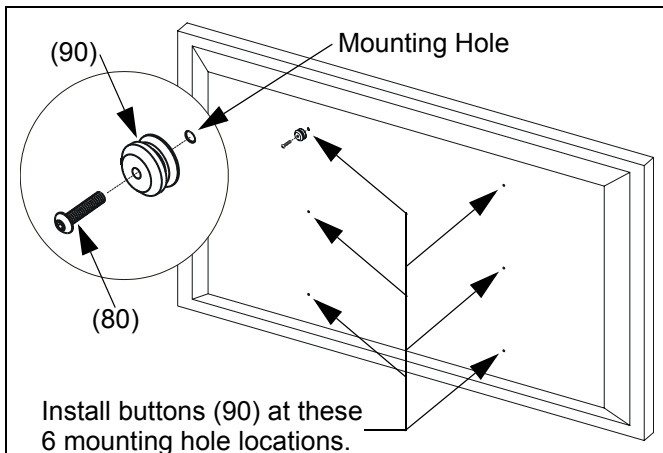


Figure 2: Akira 84" and Orion 84" Mounting Button

MODULAR 84" DISPLAYS

NOTE: Modular displays are four independent displays attached together within a single frame. The assembly performs as a single display.

1. Insert screw (80) through button (90) and frame on back of modular display (See Figure 3)(See Figure 4). Using key (140) and 13mm wrench, install washer (100), washer (110), and nut (120). Tighten securely.
2. Repeat for remaining five buttons.

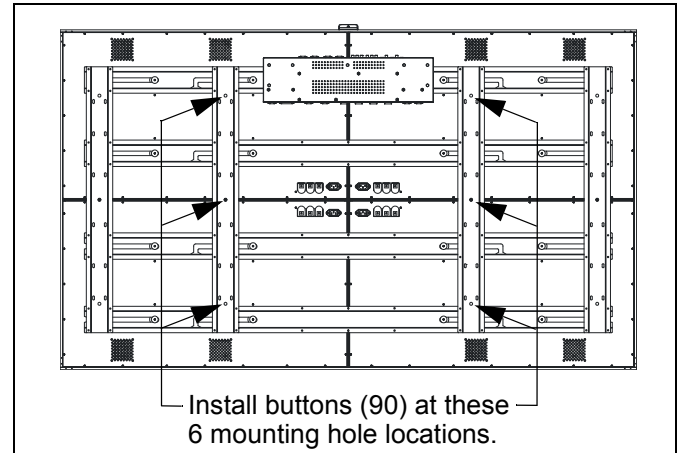


Figure 3: Modular Display Frame

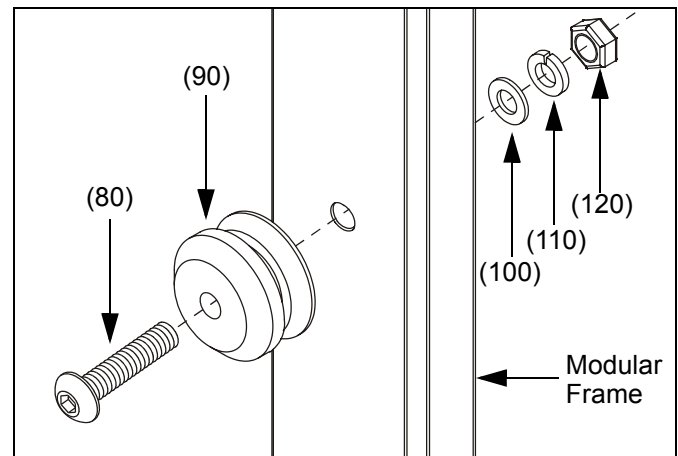


Figure 4: Modular 84" Mounting Button

OTHER LARGE FLAT PANEL DISPLAYS

1. Install the optional interface bracket to display according to the instructions provided with the interface bracket.

NOTE: Mounting buttons are pre-installed on optional interface bracket. PSH-2000 items (80) through (120), and key (140)(See Figure 1), will not be used with optional interface bracket.

ASSEMBLE STATIC BRACKETS

1. Using key (160), loosely install screws (60) through latch (40) and spacers (50) into threaded holes in bracket (20) (See Figure 5). Ensure latch (40) is installed on the end of bracket (20) with the square cutout.

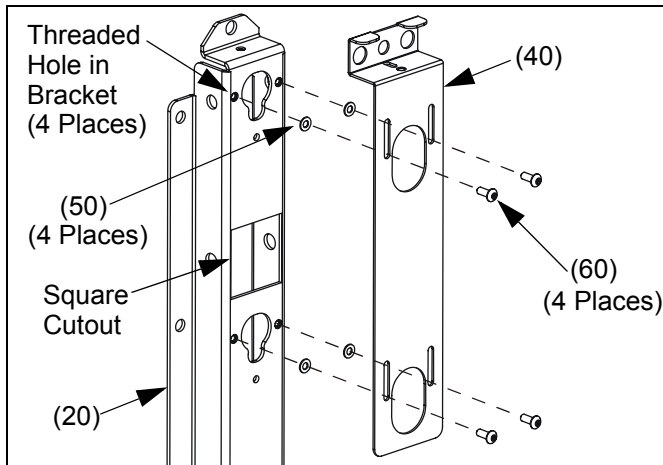


Figure 5: Latch Assembly

2. Repeat for remaining bracket (20).
3. Tighten screws (60) only as required to keep latches (40) from freely slipping on bracket (20). Latches are designed to slide; do not overtighten screws (60).
4. Slide latch (40) to fully open (raised) position.
5. Using Phillips screwdriver, install screw (70) through slotted hole in latch (40) into threaded hole in *bracket* (20) (See Figure 6). Tighten only as required to take up slack; overtightening will close latch preventing mounting button installation.
 - If latch begins to close, loosen screw (70) and pull latch (40) to open position.

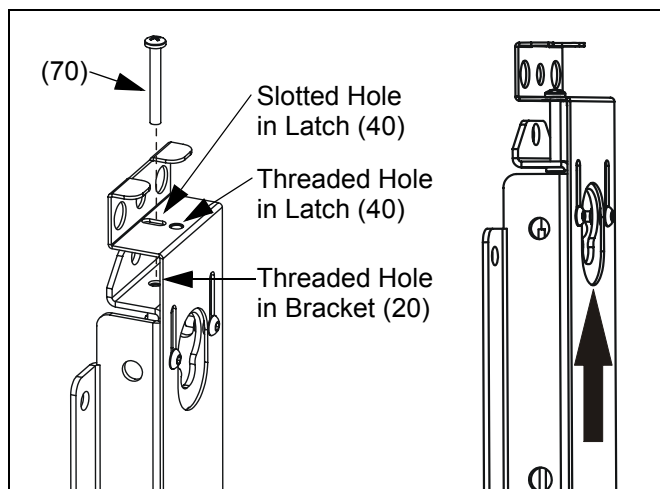


Figure 6: Open Latch

ASSEMBLE SIDE SUPPORTS

1. Using key (150), loosely install support (30) to plate (10) with screws (130) (See Figure 7). Ensure lip of support (30) covers edge of plate (10).
2. Repeat for other 3 corners.
3. Once all screws (130) are installed, tighten securely.

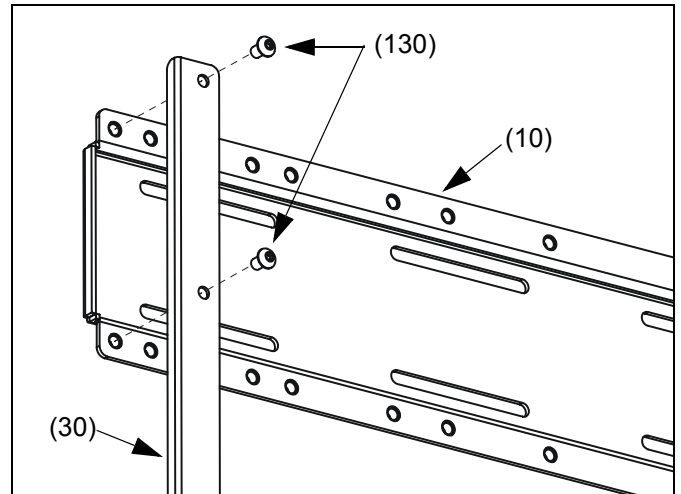


Figure 7: Side Support Assembly

INSTALL MOUNT TO WALL

1. Determine approximate mounting location, keeping in mind the display size.



WARNING: The mount must be installed on two or three wood studs (or other equivalent vertical or horizontal supporting framework). Do not mount to single wood studs. Failure to properly install unit can result in serious personal injury or damage to equipment!

2. Use a stud sensor to locate applicable wood studs. Mark locations with a pencil.
3. Level mount at desired height per one of the configurations below:

NOTE: Either configuration below provides $\pm 2"$ of lateral shift.

- 16" on center studs: The mount is approximately centered between two or three studs as shown (See Figure 8).
- 24" on center studs: The mount is offset to the left or right of center between two studs as shown (See Figure 9).

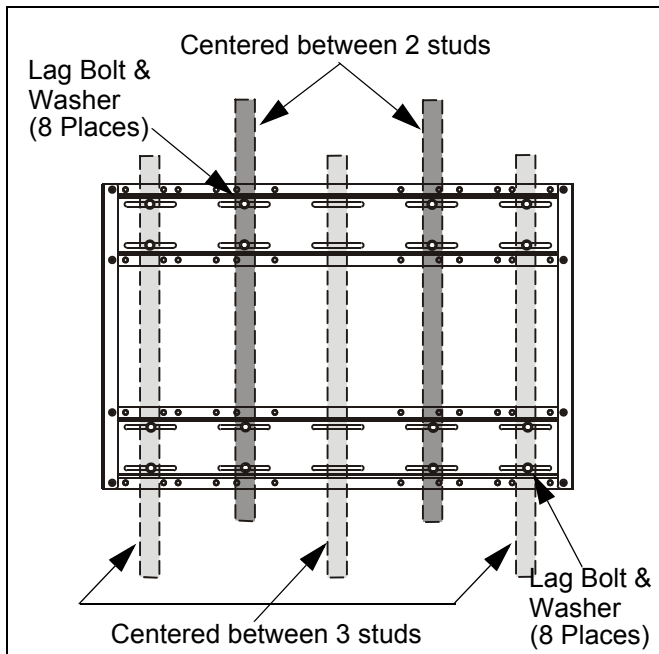


Figure 8: 16" On Center Stud Installation

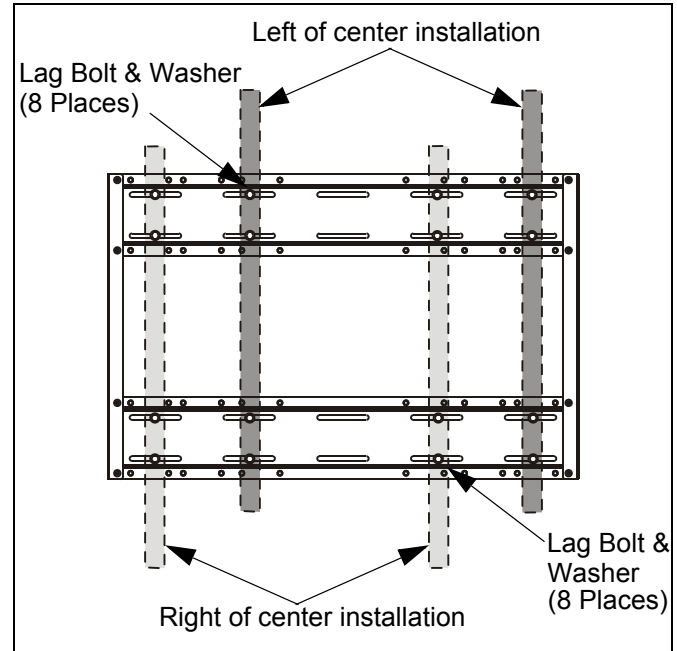


Figure 9: 24" On Center Installation

4. Using mount as a template, mark the location of the pilot holes. Ensure the following:

- Marks are in the center of wood studs.
- 8 pilot holes are marked (one in each slot).

NOTE: For 16" on center, 3 stud installation: Lag bolts and washers on center stud are optional.

5. Drill pilot holes using a 7/32" drill bit. Ensure pilot holes are straight.
6. Using 1/2" wrench, install eight 5/16" x 2 1/2" lag bolts and eight 5/16" washers through mounting holes and into pilot holes. Tighten all lag bolts.

NOTE: Lag bolts and washers are not supplied.

INSTALL STATIC BRACKETS

AKIRA 84", ORION 84", AND MODULAR 84" DISPLAYS

1. Using key (150), loosely install brackets (20) to plates (10) with screws (130) (See Figure 10). Ensure the following:
 - Brackets (20) are installed to outside set of mounting holes, closest to supports (30).
 - Brackets (20) are installed so that latches (40) are towards top of mount.
2. Tighten all 16 screws (130) securely.

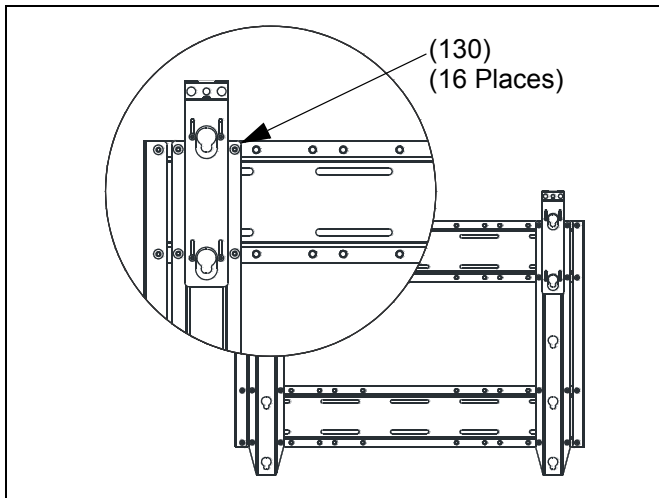


Figure 10: Installation on Outside Mounting Holes

2. Using key (150), loosely install brackets (20) to plates (10) with screws (130) according to dimension noted in previous step. Ensure that brackets (20) are installed so that the latches (40) are towards the top of the mount.
 - 14" horizontal dimension: Install brackets (20) to inside set of mounting holes, closest to center of mount (See Figure 12).
 - 24" horizontal dimension: Install brackets (20) to middle set of mounting holes (See Figure 13).
 - 33" horizontal dimension: Install brackets (20) to outside set of mounting holes, closest to supports (30) (See Figure 10).
3. Tighten all 16 screws (130) securely.

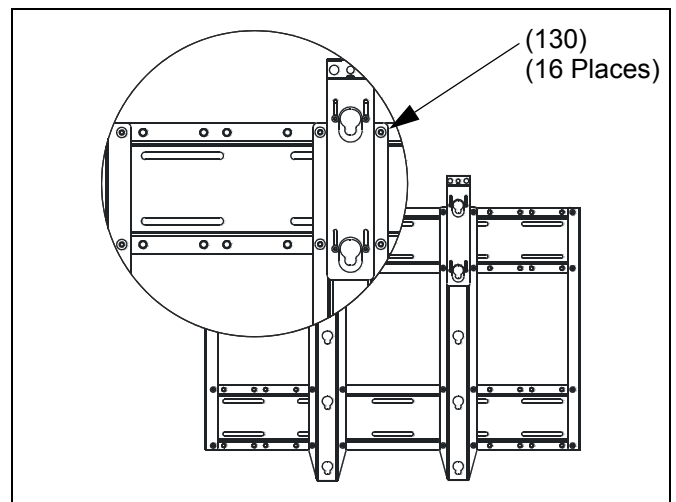


Figure 12: Installation on Inside Mounting Holes

OTHER LARGE FLAT PANEL DISPLAYS

1. Determine *horizontal* dimension between mounting buttons on back of display (or interface bracket, if required) (See Figure 11).

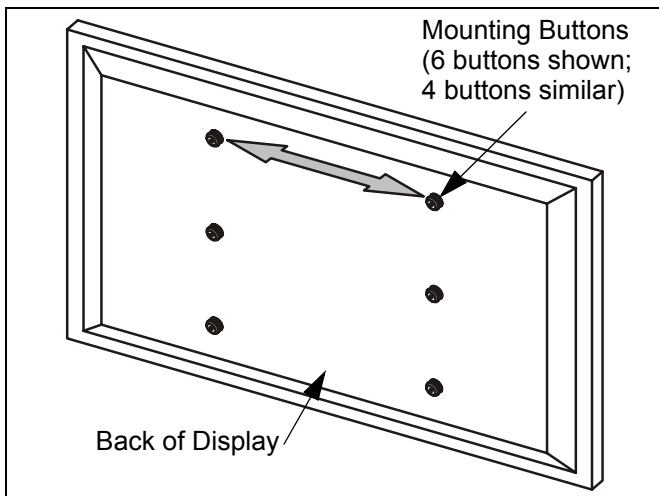


Figure 11: Horizontal Dimension

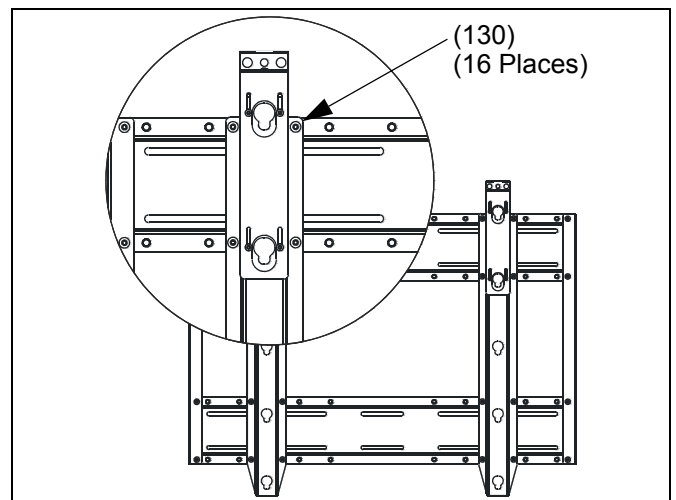


Figure 13: Installation on Middle Mounting Holes

INSTALL DISPLAY



WARNING: Display is very heavy! Ensure display can be safely lifted and maneuvered as required to install on mount. Failure to take adequate precautions can result in serious personal injury or damage to equipment!

1. Ensure latches (40) are in fully open (raised) positions (See Figure 6).
2. Note button openings to be used on each bracket (20) when installing display (See Figure 14).

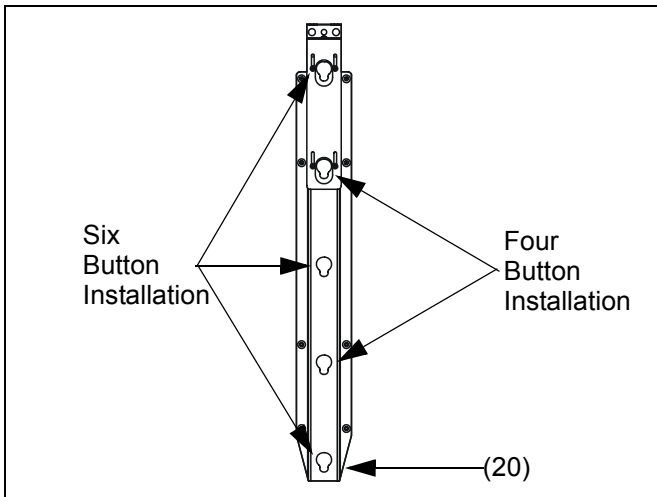


Figure 14: Mounting Holes

3. Lift and maneuver display such that all buttons (90) fit into button openings on brackets (20). Lower display firmly into place. Ensure each button (90) has fully seated in its button opening.
4. Using Phillips screwdriver, tighten screw (70) until latch (40) slides into closed position (See Figure 15).

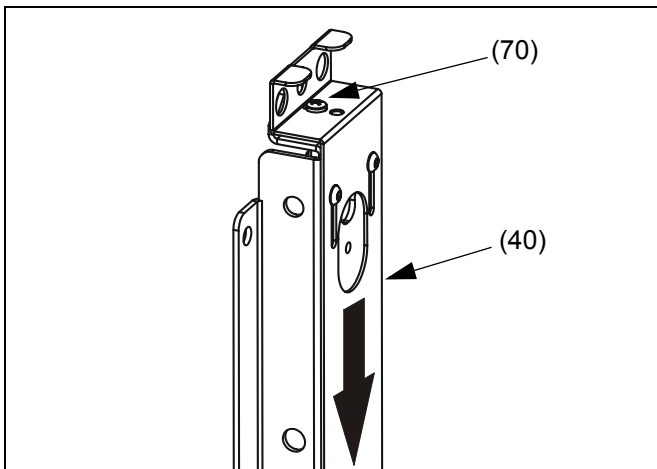


Figure 15: Closed Latch

5. Repeat for second latch (40).
6. Connect cables to display as required.

REMOVE DISPLAY



WARNING: Display is very heavy! Ensure display can be safely lifted and maneuvered as required to remove from mount. Failure to take adequate precautions can result in serious personal injury or damage to equipment!

1. Disconnect all cables from display.
2. Using Phillips screwdriver, fully remove screw (70) from threaded hole in bracket (20) (See Figure 6).
3. Re-install screw (70) into threaded hole in *latch* (40). Turn screw (70) until latch (40) slides into fully open position.
4. Repeat for second latch (40).
5. Lift and maneuver display mounting buttons (90) out of button openings.

Free Manuals Download Website

<http://myh66.com>

<http://usermanuals.us>

<http://www.somanuals.com>

<http://www.4manuals.cc>

<http://www.manual-lib.com>

<http://www.404manual.com>

<http://www.luxmanual.com>

<http://aubethermostatmanual.com>

Golf course search by state

<http://golfingnear.com>

Email search by domain

<http://emailbydomain.com>

Auto manuals search

<http://auto.somanuals.com>

TV manuals search

<http://tv.somanuals.com>