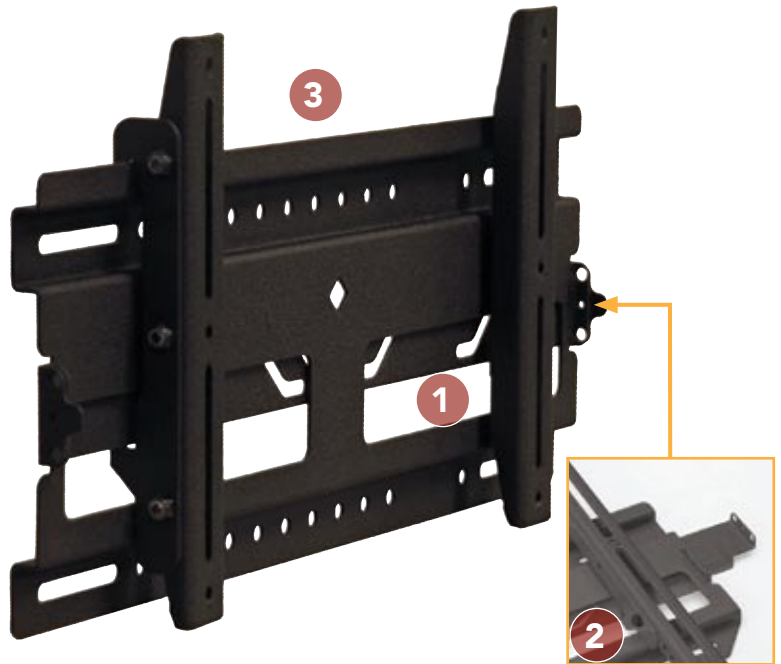




FEATURES

- 1 INTEGRATED LATERAL SHIFT**
Reposition mount 2.25" (57 mm) left or right after installation for ultimate positioning flexibility.
- 2 EXCLUSIVE GLIDE LOCK™ LATCH**
Tool-less locking feature saves time and effectively secures flat panel to wall mount.
- 3 RAPID LEVELING™**
Hands-free leveling of mount on wall.



SPECIFICATIONS

Depth from Wall	1.63" (41 mm)
Lateral Shift	2.25" (57 mm)
Dimensions* (HxWxD)	10.25" x 20" x 1.63" (260 x 508 x 41 mm)
Color	Black
Weight Capacity	100 lbs (45.4 kg)

* Dimensions don't include interface bracket



WHAT YOU NEED TO KNOW

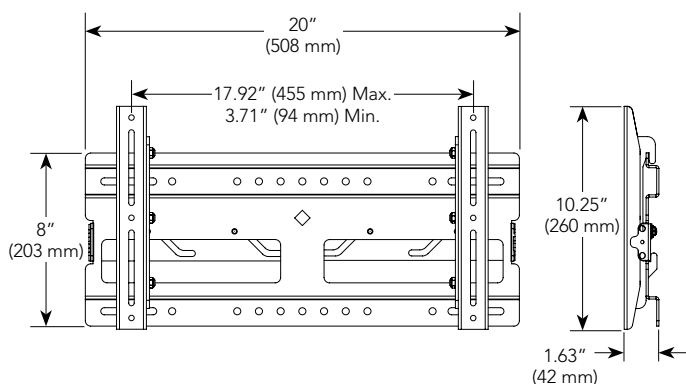
UNIVERSAL FIXED MOUNT

The maximum width between your mounting holes must be less than 17.9" (455 mm) and the maximum height must be less than 9.25" (235 mm) to ensure compatibility of this mount.

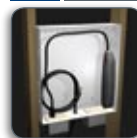
INSTALLATION

Includes all mounting hardware.

TECHNICAL DRAWINGS



RECOMMENDED ACCESSORIES



PAC515 ■ New Construction Pre-Wire Box



PAC520 ■ Multiple Option New Construction Pre-Wire Box



PACPC1 ■ Power Filter

For a complete list of flat panel mount accessories see page 69.



CLICK

Download from www.Somanuals.com



CALL

And Download.



FAX

877.894.6918

Free Manuals Download Website

<http://myh66.com>

<http://usermanuals.us>

<http://www.somanuals.com>

<http://www.4manuals.cc>

<http://www.manual-lib.com>

<http://www.404manual.com>

<http://www.luxmanual.com>

<http://aubethermostatmanual.com>

Golf course search by state

<http://golfingnear.com>

Email search by domain

<http://emailbydomain.com>

Auto manuals search

<http://auto.somanuals.com>

TV manuals search

<http://tv.somanuals.com>