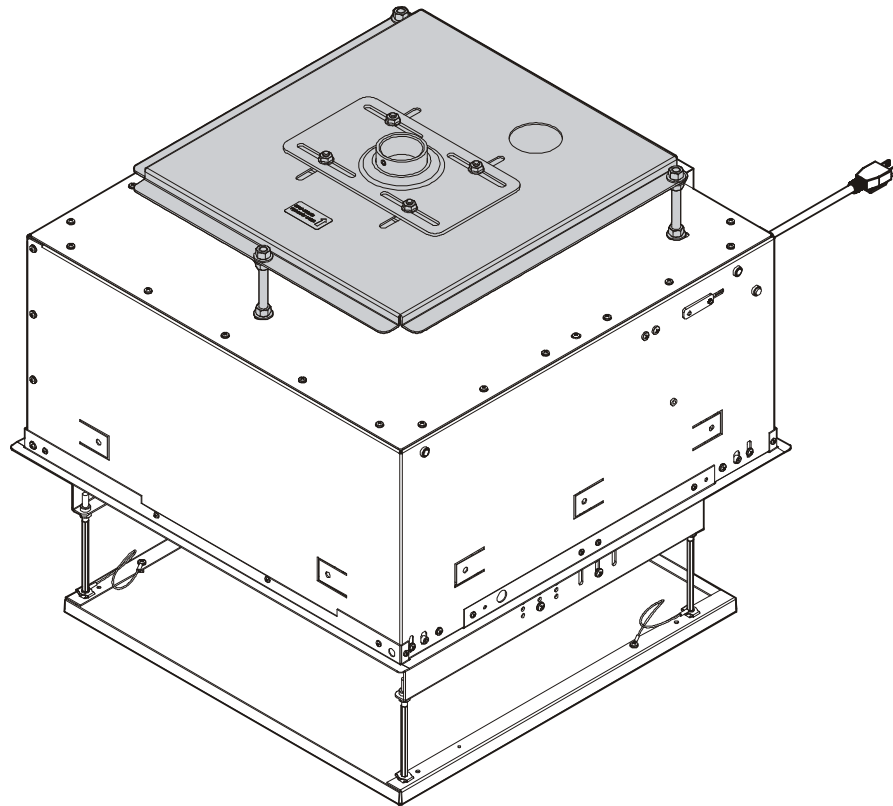


---

# INSTALLATION INSTRUCTIONS

---



---

## Pipe Adapter for SL-151 Projector Lift

---

## DISCLAIMER

Milestone AV Technologies and its affiliated corporations and subsidiaries (collectively "Milestone"), intend to make this manual accurate and complete. However, Milestone makes no claim that the information contained herein covers all details, conditions or variations, nor does it provide for every possible contingency in connection with the installation or use of this product. The information contained in this document is subject to change without notice or obligation of any kind. Milestone makes no representation of warranty, expressed or implied, regarding the information contained herein. Milestone assumes no responsibility for accuracy, completeness or sufficiency of the information contained in this document.

Chief® is a registered trademark of Milestone AV Technologies. All rights reserved.

## ! IMPORTANT SAFETY INSTRUCTIONS!

**! WARNING:** A WARNING alerts you to the possibility of serious injury or death if you do not follow the instructions.

**! CAUTION:** A CAUTION alerts you to the possibility of damage or destruction of equipment if you do not follow the corresponding instructions.

**! WARNING:** Failure to read, thoroughly understand, and follow all instructions can result in serious personal injury, damage to equipment, or voiding of factory warranty! It is the installer's responsibility to make sure all components are properly assembled and installed using the instructions provided.

**! WARNING:** Failure to provide adequate structural strength for this component can result in serious personal injury or damage to equipment! It is the installer's responsibility to make sure the structure to which this component is attached can support five times the combined weight of all equipment. Reinforce the structure as required before installing the component.

**! WARNING:** Exceeding the weight capacity can result in serious personal injury or damage to equipment! It is the installer's responsibility to make sure the combined weight of all components located between the SMA-602 up to (and including) the projector does not exceed 105 lbs (47.6 kg).

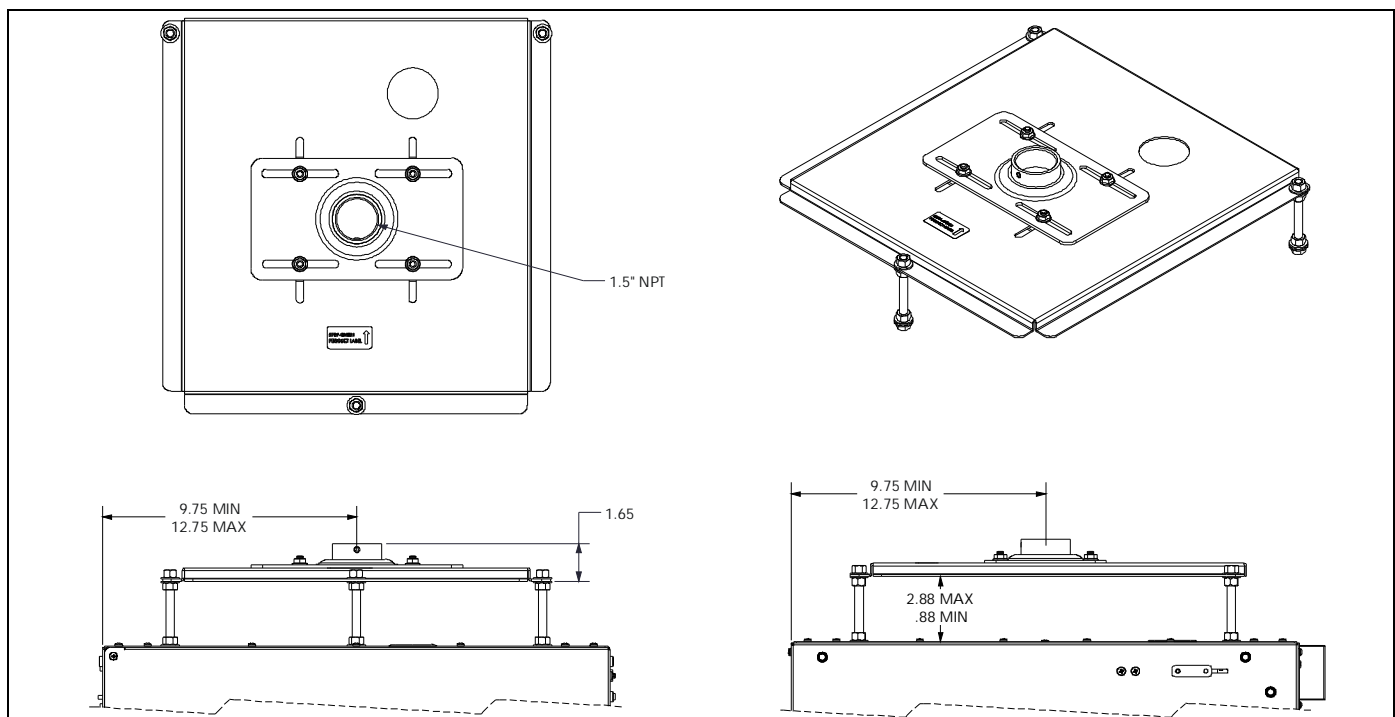
**! WARNING:** Use this mounting system only for its intended use as described in these instructions. Do not use attachments not recommended by the manufacturer.

**! WARNING:** Never operate this mounting system if it is damaged. Return the mounting system to a service center for examination and repair.






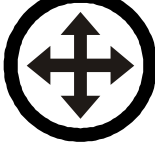






**! WARNING:** Do not use this product outdoors.

**--SAVE THESE INSTRUCTIONS--**

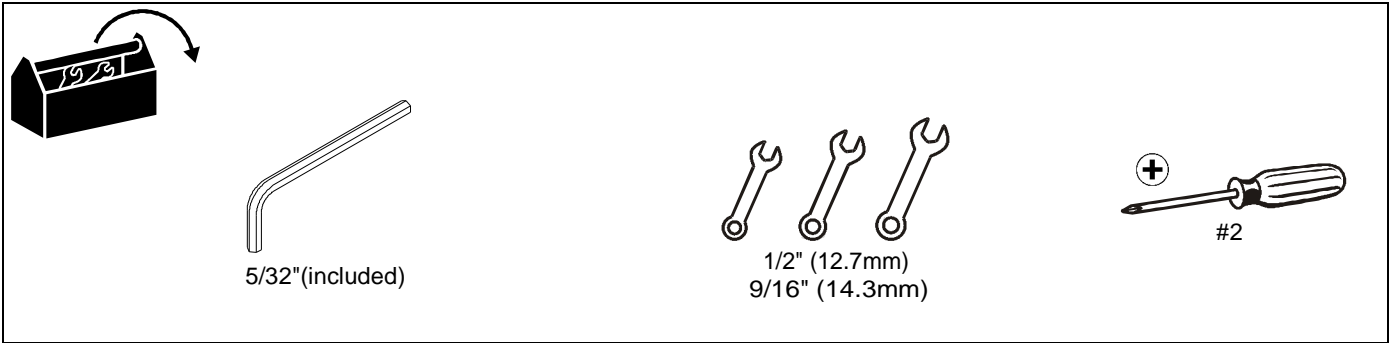
## DIMENSIONS



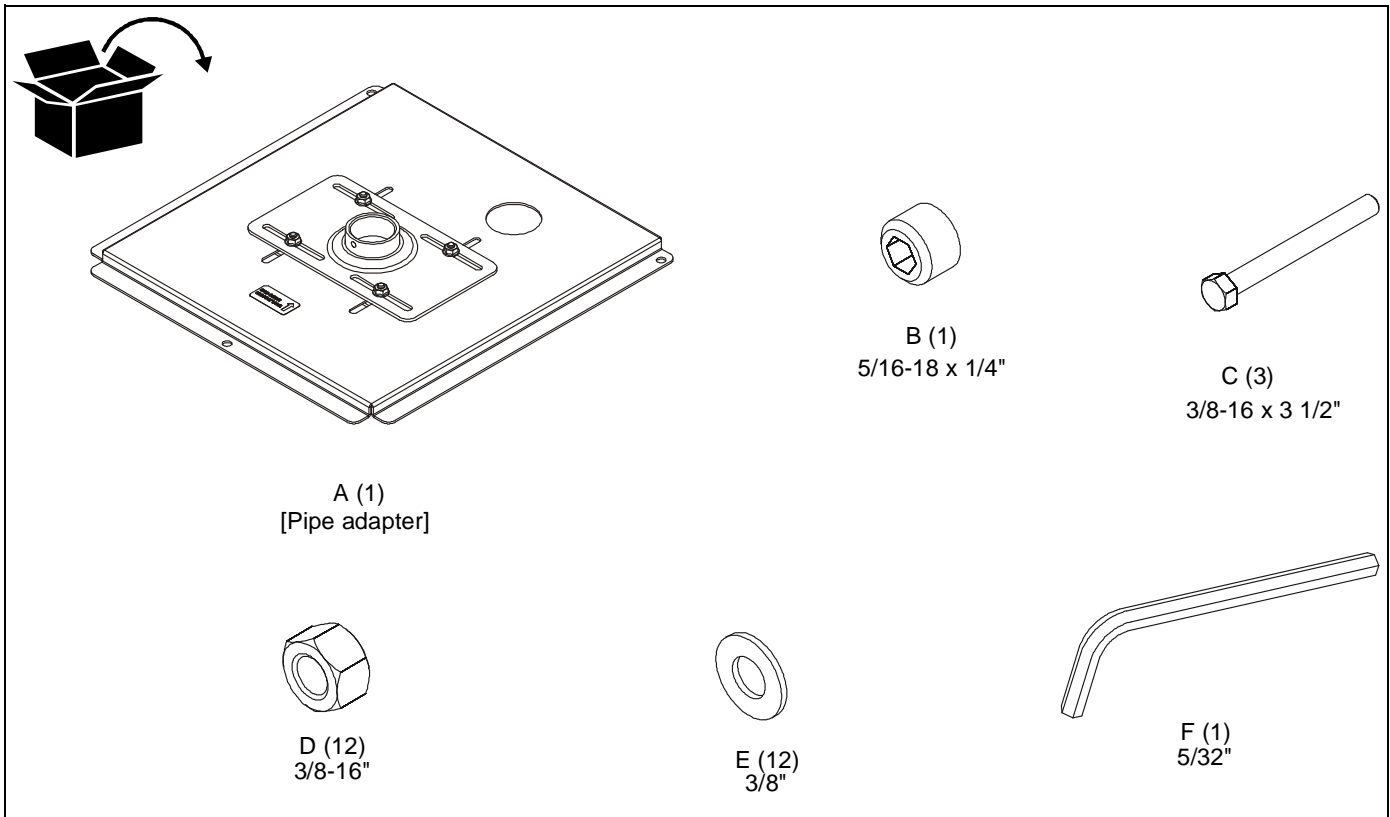
**LEGEND**

|                                                                                     |                                                                                                                                                                                                                                      |                                                                                      |                                                                                                                                                                                          |
|-------------------------------------------------------------------------------------|--------------------------------------------------------------------------------------------------------------------------------------------------------------------------------------------------------------------------------------|--------------------------------------------------------------------------------------|------------------------------------------------------------------------------------------------------------------------------------------------------------------------------------------|
|    | <p><b>Tighten Fastener</b></p> <p>Apretar elemento de fijación</p> <p>Befestigungsteil festziehen</p> <p>Apertar fixador</p> <p>Serrare il fissaggio</p> <p>Bevestiging vastdraaien</p> <p>Serrez les fixations</p>                  |    | <p><b>Pencil Mark</b></p> <p>Marcar con lápiz</p> <p>Stiftmarkierung</p> <p>Marcar com lápis</p> <p>Segno a matita</p> <p>Potloodmerkteken</p> <p>Marquage au crayon</p>                 |
|    | <p><b>Loosen Fastener</b></p> <p>Aflojar elemento de fijación</p> <p>Befestigungsteil lösen</p> <p>Desapertar fixador</p> <p>Allentare il fissaggio</p> <p>Bevestiging losdraaien</p> <p>Desserrez les fixations</p>                 |    | <p><b>Drill Hole</b></p> <p>Perforar</p> <p>Bohrloch</p> <p>Fazer furo</p> <p>Praticare un foro</p> <p>Gat boren</p> <p>Percez un trou</p>                                               |
|   | <p><b>Phillips Screwdriver</b></p> <p>Destornillador Phillips</p> <p>Kreuzschlitzschraubendreher</p> <p>Chave de fendas Phillips</p> <p>Cacciavite a stella</p> <p>Kruiskopschroevendraaier</p> <p>Tournevis à pointe cruciforme</p> |   | <p><b>Adjust</b></p> <p>Ajustar</p> <p>Einstellen</p> <p>Ajustar</p> <p>Regolare</p> <p>Afstellen</p> <p>Ajuster</p>                                                                     |
|  | <p><b>Open-Ended Wrench</b></p> <p>Llave de boca</p> <p>Gabelschlüssel</p> <p>Chave de bocas</p> <p>Chiave a punte aperte</p> <p>Steeksleutel</p> <p>Clé à fourche</p>                                                               |  | <p><b>Remove</b></p> <p>Quitar</p> <p>Entfernen</p> <p>Remover</p> <p>Rimuovere</p> <p>Verwijderen</p> <p>Retirez</p>                                                                    |
|  | <p><b>By Hand</b></p> <p>A mano</p> <p>Von Hand</p> <p>Com a mão</p> <p>A mano</p> <p>Met de hand</p> <p>À la main</p>                                                                                                               |  | <p><b>Optional</b></p> <p>Opcional</p> <p>Optional</p> <p>Opcional</p> <p>Opzionale</p> <p>Optie</p> <p>En option</p>                                                                    |
|  | <p><b>Hex-Head Wrench</b></p> <p>Llave de cabeza hexagonal</p> <p>Sechskantschlüssel</p> <p>Chave de cabeça sextavada</p> <p>Chiave esagonale</p> <p>Zeskantsleutel</p> <p>Clé à tête hexagonale</p>                                 |  | <p><b>Security Wrench</b></p> <p>Llave de seguridad</p> <p>Sicherheitsschlüssel</p> <p>Chave de segurança</p> <p>Chiave di sicurezza</p> <p>Veiligheidsleutel</p> <p>Clé de sécurité</p> |

### TOOLS REQUIRED FOR INSTALLATION



### PARTS



## Assembly And Installation

The SMA-602 pipe adapter assembly was designed to attach the UL-Listed SL151 lift (not included) to a 1-1/2" NPT or NPSM following ANSI/ASME B1.20.1 (Schedule 40, 0.154" minimum thickness steel or aluminum - ASTM B221) threaded extension column (not included). A minimum of four threads must be engaged.

### Disassemble Pipe Adapter Assembly

1. Unscrew four hex nuts on pipe adapter assembly (A). (See Figure 1)
2. Remove top and bottom slide assembly plates from main plate. (See Figure 1)

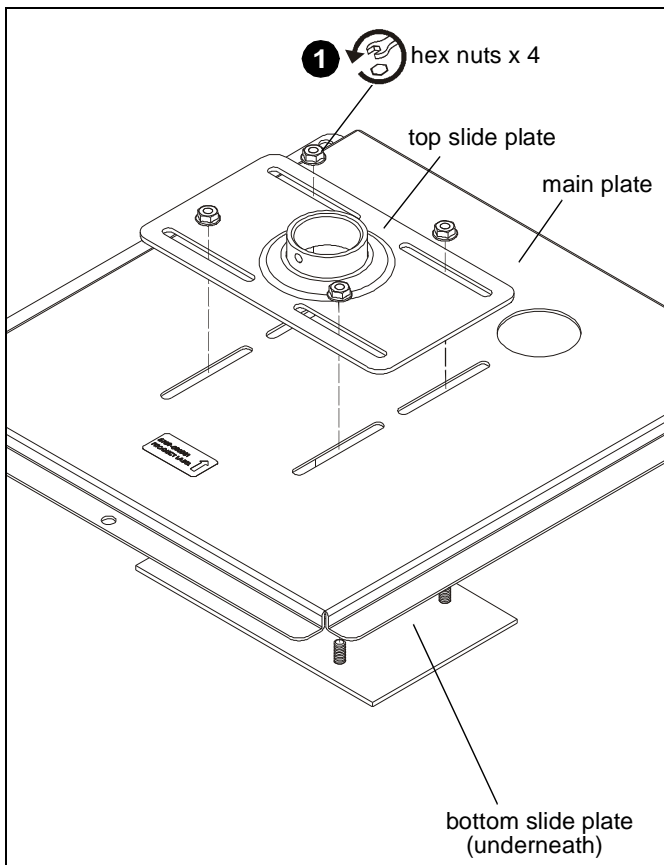


Figure 1

### Attach Main Plate to SL-151 Lift

1. Insert a 3/8-16 x 3 1/2" hex head tap bolt (C) through a 3/8" washer (E) and through one of three holes on top of SL-151 lift. (See Figure 2)
2. Install a 3/8" washer (E) and a 3/8-16" hex nut (D) over tap bolt. (See Figure 3)
3. Repeat Steps 1-2 for other two holes on SL-151 lift.
4. Thread each nut completely on bolts. (See Figure 4)

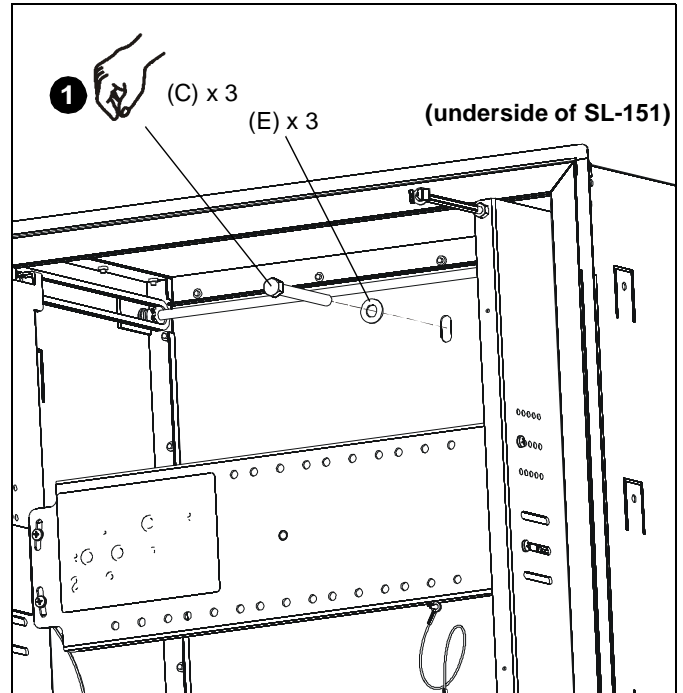


Figure 2

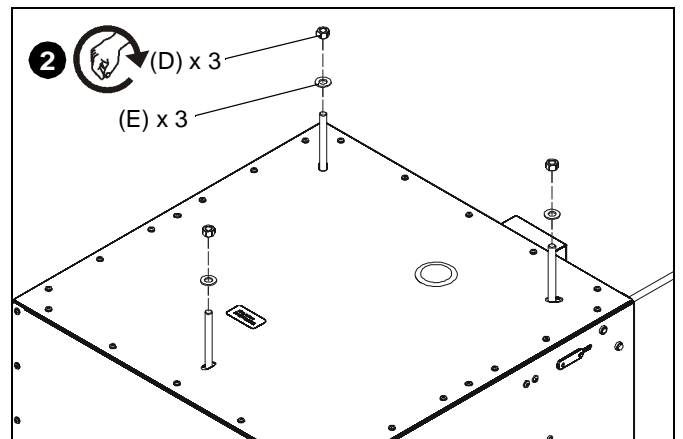


Figure 3

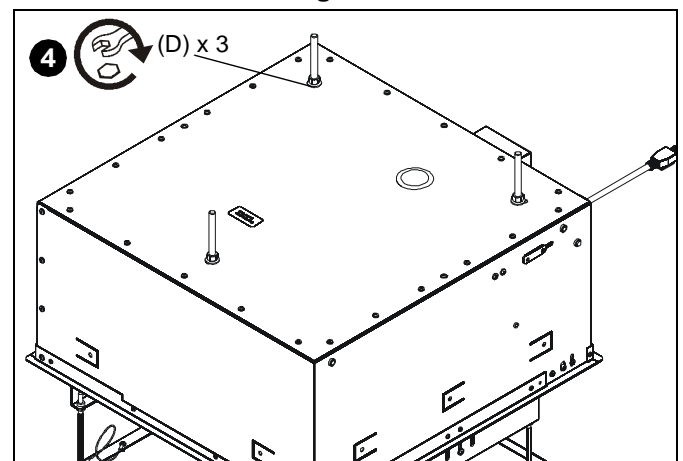


Figure 4

5. Partially thread a 3/8-16" hex nut (D) onto each of three 3/8-16 x 3 1/2" hex head tap bolts (C). (See Figure 5)
6. Place a 3/8" washer (E) over each hex nut. (See Figure 5)
7. Place main plate over three bolts lining up the holes on the outside edge of the plate with the screws. (See Figure 5)
8. Place another 3/8" washer (E) and 3/8-16" hex nut (D) over each bolt. (See Figure 5)

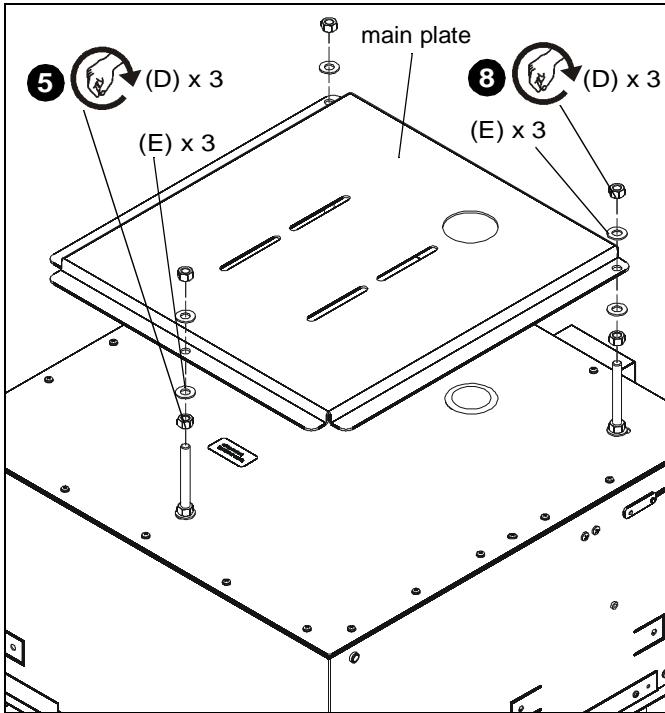


Figure 5

9. Secure main plate near top of bolts by threading nuts together. Make sure to leave plenty of space between plate and SL-151 to allow for easy access in later steps. (See Figure 6)

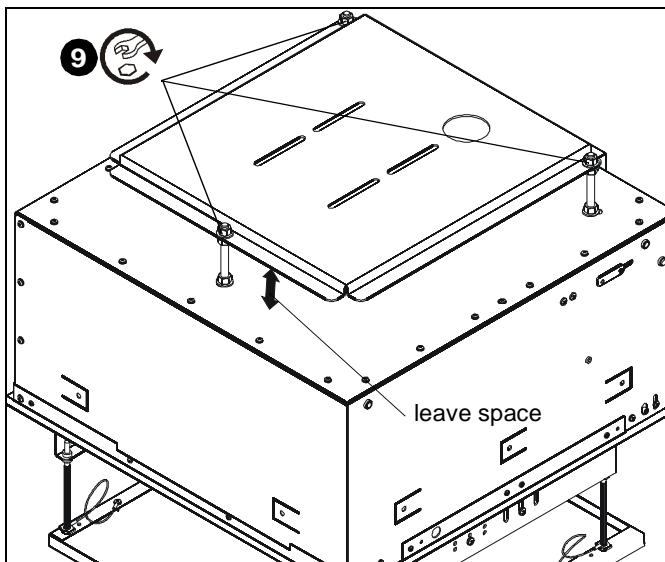


Figure 6

### Attaching Main Plate and SL-151 to Ceiling Pipe

**IMPORTANT !** : Only attach SMA-602 to UL Listed Chief ceiling mount SL151.

**IMPORTANT !** : These installation instructions assume that a 1-1/2" NPT or NPSM following ANSI/ASME B1.20.1 (Schedule 40, 0.154" minimum thickness aluminum - ASTM B221) threaded extension column (not included) has been properly installed and is in place.

1. Thread top slide plate assembly onto ceiling pipe until it cannot be tightened any further. (See Figure 7)
2. Adjust top slide plate assembly back clockwise until set screw hole is facing target. (See Figure 7)

**IMPORTANT !** : When SMA-602 is properly positioned, the set screw access hole should be pointing directly at target.

3. Insert 5/16-18 x 1/4" set screw (B) into access hole to secure top slide plate to ceiling pipe. (See Figure 7)

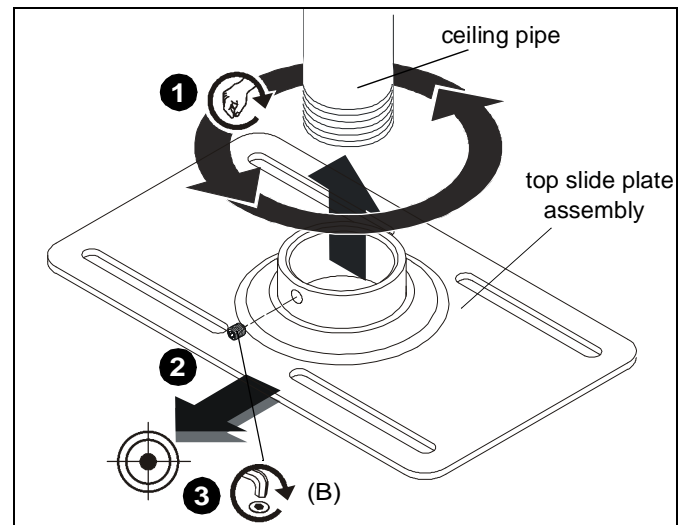


Figure 7



**WARNING:** Exceeding the weight capacity can result in serious personal injury or damage to equipment! It is the installer's responsibility to make sure the combined weight of all components located between the SMA-602 up to (and including) the projector does not exceed 105 lbs (47.6 kg).



**WARNING:** Improper installation can result in serious personal injury or damage to equipment! The SL-151 projector mount weighs in excess of 50 lbs! Use either a mechanical lifting device or at least two people to lift and install SL-151.

4. Lift main plate and attached SL-151 underneath top slide plate making sure the four slots on each plate are perpendicular to each other. (See Figure 8)
5. Place bottom slide plate directly underneath main plate inserting four bolts through four slots in main plate.
6. Insert four bolts up through four slots on top slide plate and secure using the four hex nuts removed in Step 1 of Disassemble Pipe Adapter Assembly. (See Figure 8)

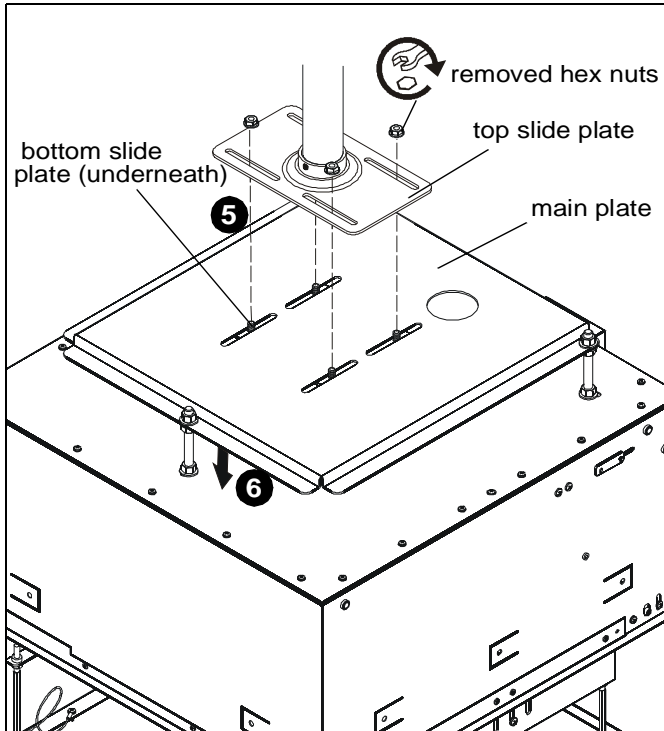


Figure 8

7. Lower hex nuts holding main plate in place to bring SL-151 to desired height. (See Figure 8)

**Adjustments**

**Location Adjustments**

1. Loosen four hex nuts holding plates together. (See Figure 9)
2. Slide SL-151 in either direction until desired mounting location is reached. (See Figure 9)
3. Tighten four hex nuts holding plates together. (See Figure 9)

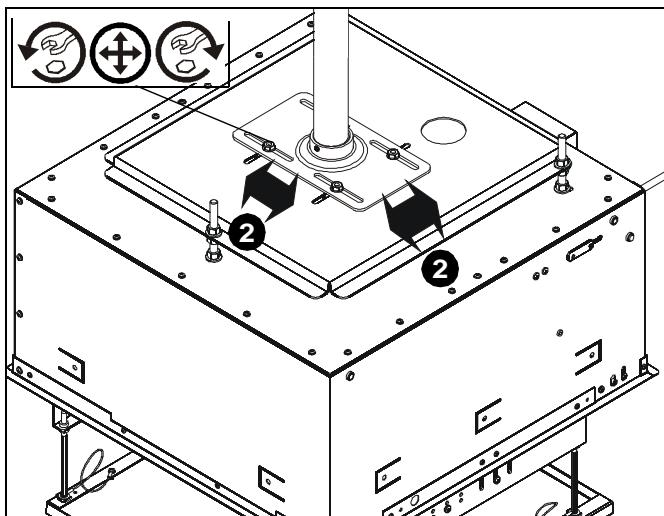


Figure 9

**Yaw Adjustment**

1. Loosen set screw on top slide plate pipe connector. (See Figure 10)
2. Adjust YAW position until set screw faces target. (See Figure 10)
3. Tighten set screw on top slide plate pipe connector. (See Figure 10)

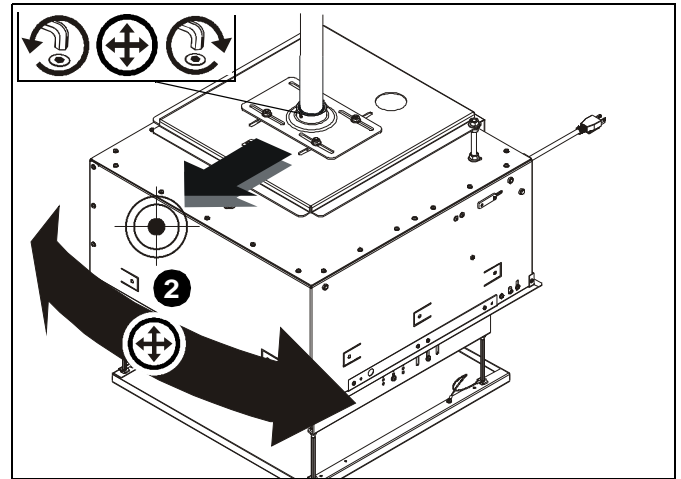


Figure 10

**Height Adjustment**

1. Adjust hex nuts up or down in order to make sure the SL-151 is evenly mounted. (See Figure 11)

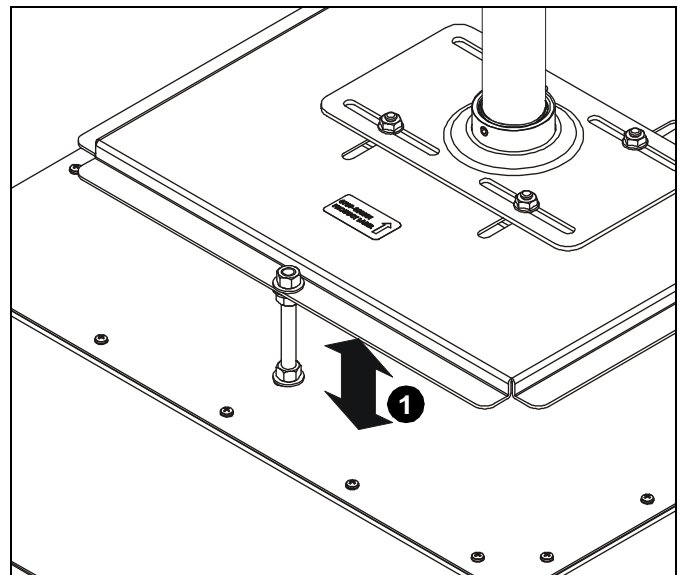


Figure 11

**Projector Installation**

1. Refer to SL-151 Installation Manual for details on mounting projector to SL-151.



Our Mounts. **Your Vision.**

Chief, a products division of  
Milestone AV Technologies

8800-002540 Rev00  
©2014 Milestone AV Technologies  
[www.chiefmfg.com](http://www.chiefmfg.com)  
03/14

|                          |                                                                                                                                                         |
|--------------------------|---------------------------------------------------------------------------------------------------------------------------------------------------------|
| <b>USA/International</b> | <b>A</b> 6436 City West Parkway, Eden Prairie, MN 55344<br><b>P</b> 800.582.6480 / 952.225.6000<br><b>F</b> 877.894.6918 / 952.894.6918                 |
| <b>Europe</b>            | <b>A</b> Franklinstraat 14, 6003 DK Weert, Netherlands<br><b>P</b> +31 (0) 495 580 852<br><b>F</b> +31 (0) 495 580 845                                  |
| <b>Asia Pacific</b>      | <b>A</b> Office No. 1 on 12/F, Shatin Galleria<br>18-24 Shan Mei Street<br>Fotan, Shatin, Hong Kong<br><b>P</b> 852 2145 4099<br><b>F</b> 852 2145 4477 |





## Free Manuals Download Website

<http://myh66.com>

<http://usermanuals.us>

<http://www.somanuals.com>

<http://www.4manuals.cc>

<http://www.manual-lib.com>

<http://www.404manual.com>

<http://www.luxmanual.com>

<http://aubethermostatmanual.com>

Golf course search by state

<http://golfingnear.com>

Email search by domain

<http://emailbydomain.com>

Auto manuals search

<http://auto.somanuals.com>

TV manuals search

<http://tv.somanuals.com>