



CMA-300 PIPE CLAMP ADAPTER FOR SUPPORTING 1 1/2" NPT PIPE COLUMN

Unpack carton and check contents:

- | | |
|--|--|
| (1) Pipe Clamp Adapter | (2) 5/16-18 x 3 1/4" Hx.Soc.Hd.Cp. Screw |
| (2) 5/16-18 x 1 1/4" Hx.Soc.Hd.Cp. Screw | (2) 5/16-18 x 4 1/4" Hx.Soc.Hd.Cp. Screw |
| (2) 5/16-18 x 2 1/4" Hx.Soc.Hd.Cp. Screw | (1) Set Screw |
| (4) 5/16-18 Nylock Nuts | (1) Allen Wrench, 5/32" |
| (4) 1/4" Washer, Flat, Black | (1) Allen Wrench 1/4" |

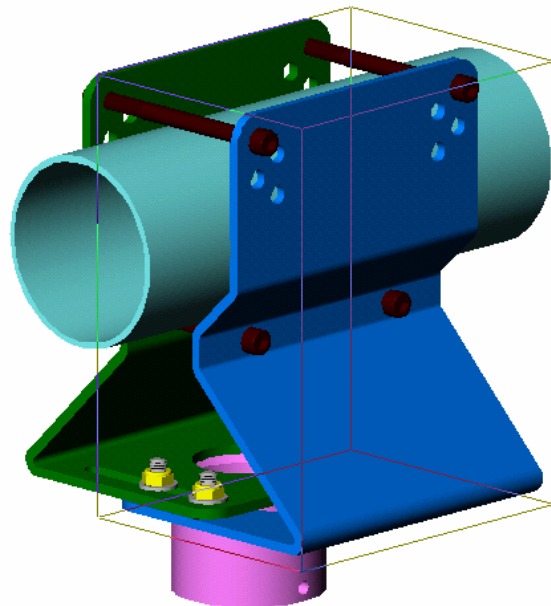
CAUTION! The overhead support must be capable of supporting five times the weight of the mount and equipment combined. If it cannot is MUST be reinforced.

INSTALLATION INSTRUCTIONS

1. Slide right bracket and left bracket back and forth by loosening 5/16-18 Nylock nuts. Note! 1 1/2" NPT nipple faces down.
2. Determine pipe diameter, 1.9 to 3.5 maximum. Spread clamp open to dimension required, allow for clearance when installing.
3. Slide clamp together around pipe, install 5/16-18 hex socket head cap screws above and below pipe and through clamp, secure with nylock nuts and tighten moderately.
4. Tighten four 5/16-18 Nylock nuts in slotted holes.
5. Once clamp is secure, 1 1/2" NPT, pipe column can be threaded into nipple.

Adjustments:

Pitch: Slight pitch adjustment can be made by loosening cap screws at pipe clamp retighten as required to secure at desired angle.
Yaw: Turn pipe assembly in nipple at initial install to achieve desired orientation. Secure with set screw.



Free Manuals Download Website

<http://myh66.com>

<http://usermanuals.us>

<http://www.somanuals.com>

<http://www.4manuals.cc>

<http://www.manual-lib.com>

<http://www.404manual.com>

<http://www.luxmanual.com>

<http://aubethermostatmanual.com>

Golf course search by state

<http://golfingnear.com>

Email search by domain

<http://emailbydomain.com>

Auto manuals search

<http://auto.somanuals.com>

TV manuals search

<http://tv.somanuals.com>