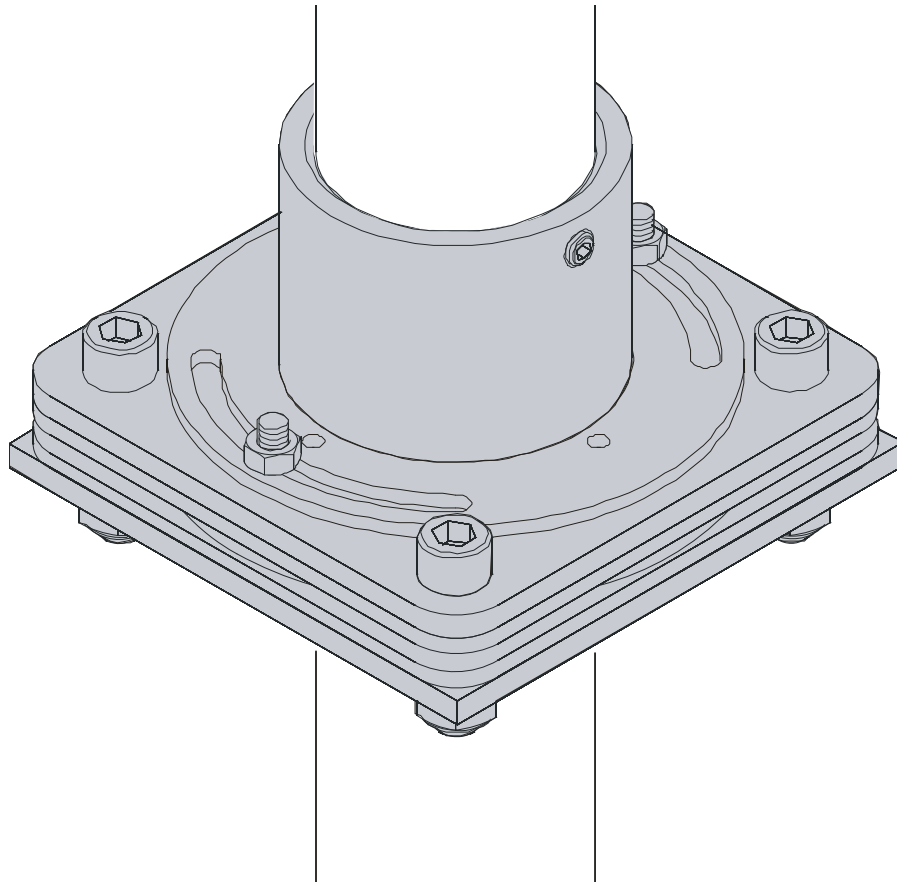

INSTALLATION INSTRUCTIONS



Heavy Duty Swivel Adapter

DISCLAIMER

CSAV, Inc., and its affiliated corporations and subsidiaries (collectively, "CSAV"), intend to make this manual accurate and complete. However, CSAV makes no claim that the information contained herein covers all details, conditions or variations, nor does it provide for every possible contingency in connection with the installation or use of this product. The information contained in this document is subject to change without notice or obligation of any kind. CSAV makes no representation of warranty, expressed or implied, regarding the information contained herein. CSAV assumes no responsibility for accuracy, completeness or sufficiency of the information contained in this document.

! IMPORTANT WARNINGS AND CAUTIONS!

! WARNING: A WARNING alerts you to the possibility of serious injury or death if you do not follow the instructions.

! CAUTION: A CAUTION alerts you to the possibility of damage or destruction of equipment if you do not follow the corresponding instructions.

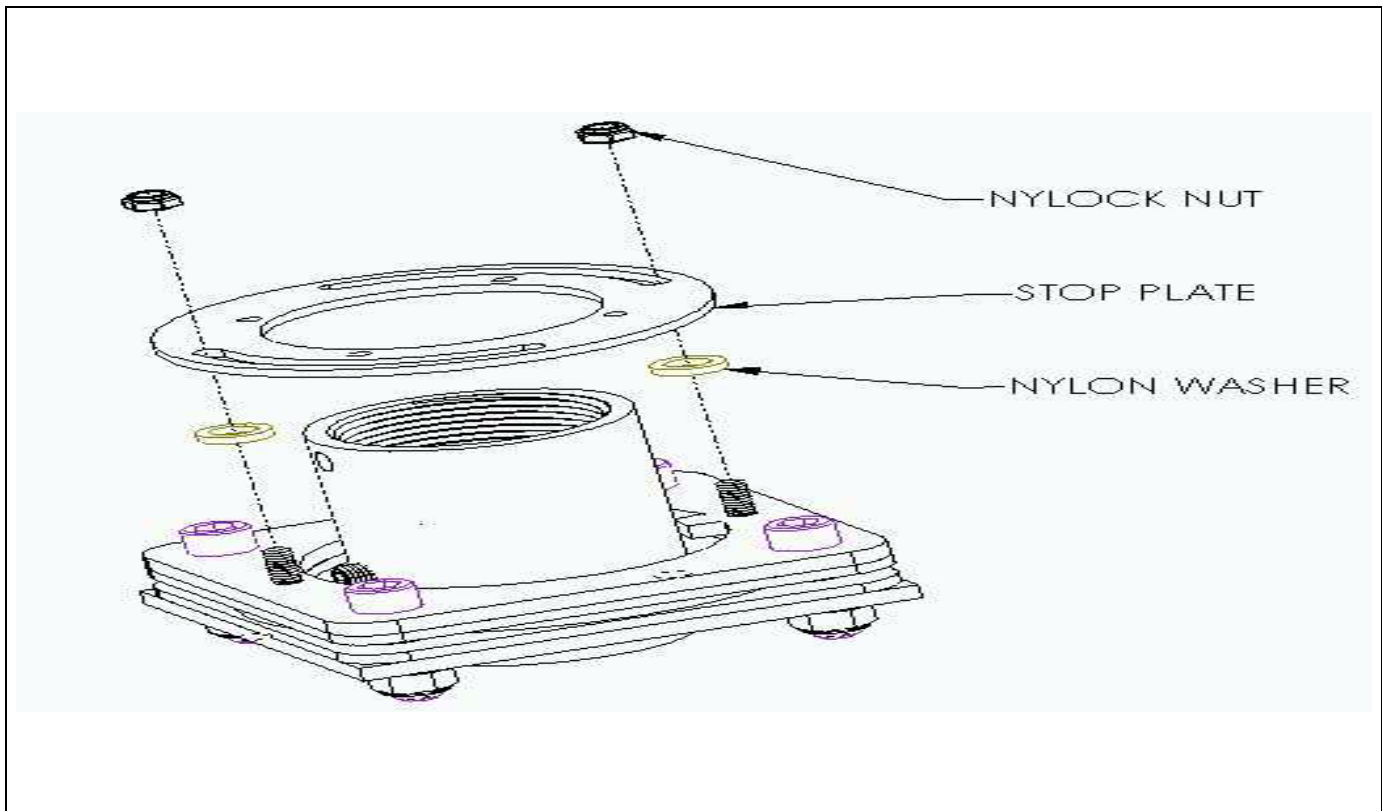
! WARNING: Failure to read, thoroughly understand, and follow all instructions can result in serious personal injury, damage to equipment, or voiding of factory warranty! It is the installer's responsibility to make sure all components are properly assembled and installed using the instructions provided.

! WARNING: Failure to provide adequate structural strength for this component can result in serious personal injury or damage to equipment! It is the installer's responsibility to make sure the structure to which this component is attached can support five times the combined weight of all equipment. Reinforce the structure as required before installing the component.

! WARNING: Exceeding the weight capacity can result in serious personal injury or damage to equipment! It is the installer's responsibility to make sure the combined weight of all components located between the CMA351 up to (and including) the display/projector does not exceed 500 lbs (226.8 kg).

- The weight capacity of the CMA351 may be LIMITED to the lowest weight capacity of any other component located between the CMA351 and the supporting structure!

DIMENSIONS



LEGEND

	Tighten Fastener
	Apretar elemento de fijación
	Befestigungsteil festziehen
	Apertar fixador
	Serrare il fissaggio
	Bevestiging vastdraaien
Serrez les fixations	

	Pencil Mark
	Marcar con lápiz
	Stiftmarkierung
	Marcar com lápis
	Segno a matita
	Potloodmerkten
Marquage au crayon	

	Loosen Fastener
	Aflojar elemento de fijación
	Befestigungsteil lösen
	Desapertar fixador
	Allentare il fissaggio
	Bevestiging losdraaien
Desserrez les fixations	

	Drill Hole
	Perforar
	Bohrloch
	Fazer furo
	Praticare un foro
	Gat boren
Percez un trou	

	Phillips Screwdriver
	Destornillador Phillips
	Kreuzschlitzschraubendreher
	Chave de fendas Phillips
	Cacciavite a stella
	Kruiskopschroevendraaier
Tournevis à pointe cruciforme	

	Adjust
	Ajustar
	Einstellen
	Ajustar
	Regolare
	Afstellen
Ajuster	

	Open-Ended Wrench
	Llave de boca
	Gabelschlüssel
	Chave de bocas
	Chiave a punte aperte
	Steeksleutel
Clé à fourche	

	Remove
	Quitar
	Entfernen
	Remover
	Rimuovere
	Verwijderen
Retirez	

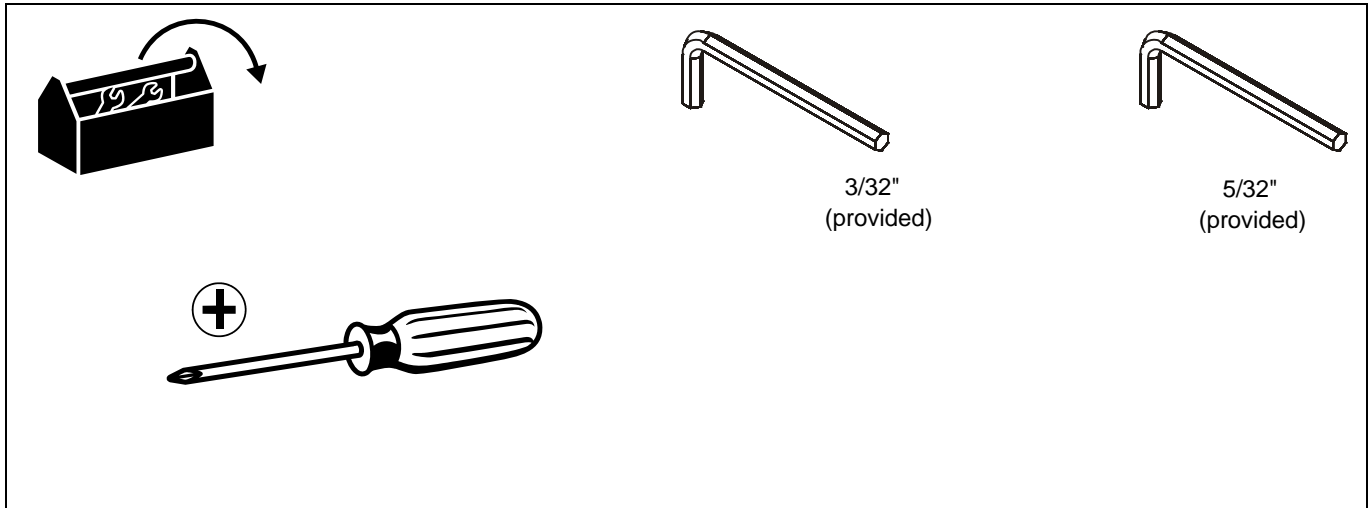
	By Hand
	A mano
	Von Hand
	Com a mão
	A mano
	Met de hand
À la main	

	Optional
	Opcional
	Optional
	Opcional
	Opzionale
	Optie
En option	

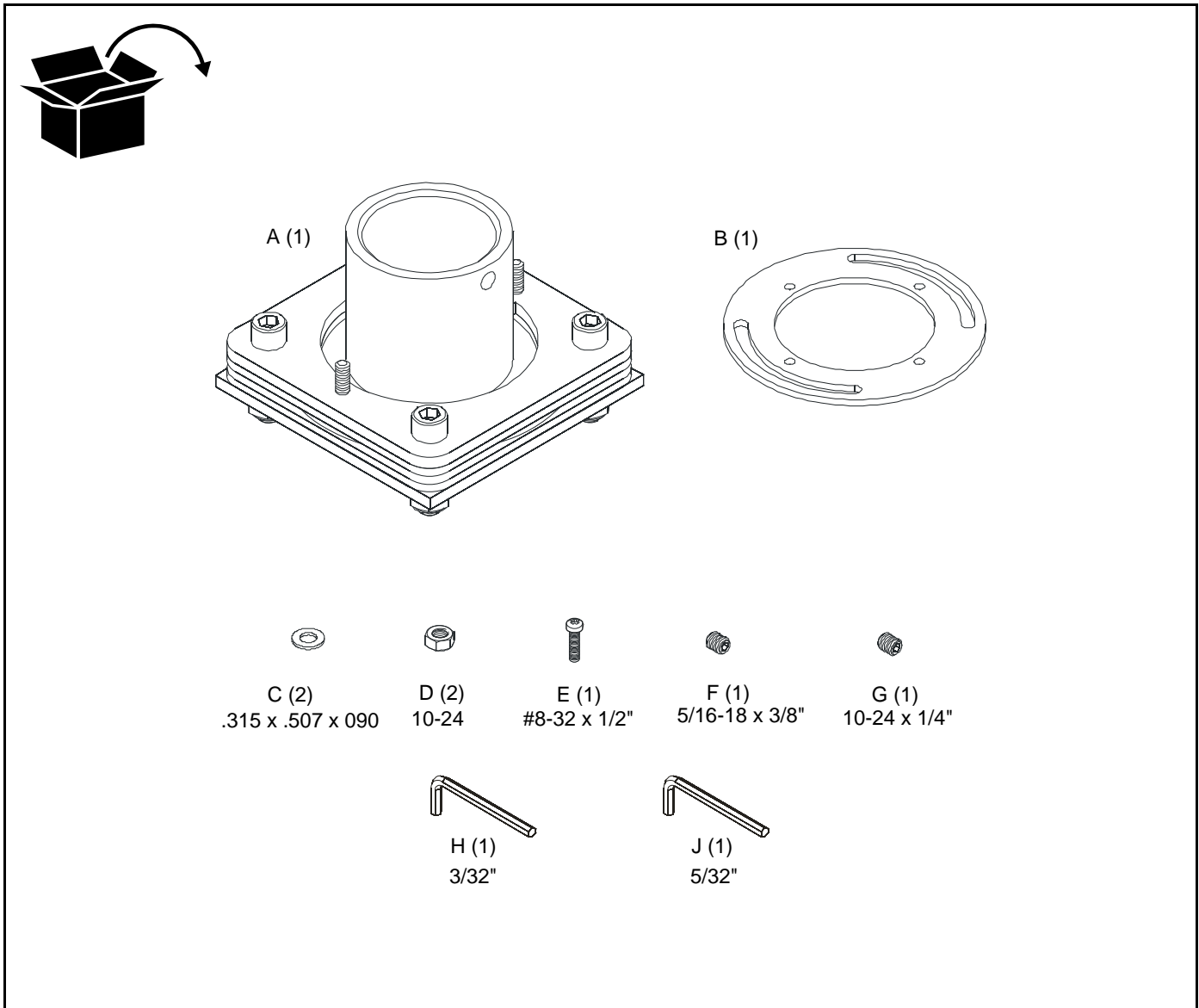
	Hex-Head Wrench
	Llave de cabeza hexagonal
	Sechskantschlüssel
	Chave de cabeça sextavada
	Chiave esagonale
	Zeskantsleutel
Clé à tête hexagonale	

	Security Wrench
	Llave de seguridad
	Sicherheitsschlüssel
	Chave de segurança
	Chiave di sicurezza
	Veiligheidssleutel
Clé de sécurité	

TOOLS REQUIRED FOR INSTALLATION



PARTS



Installation

IMPORTANT ! : The following installation procedure assumes that a 1 ½" NPT pipe has been properly installed to the ceiling.

1. Place one Nylon washer (C) over each stud on Swivel Adapter (A). (See Figure 1)
2. Align slots in stop plate (B) with two threaded studs on Swivel Adapter (A). (See Figure 1)
3. Secure Stop plate (B) to Swivel Adapter (A) using two lock nuts (D). (See Figure 1)

NOTE: DO NOT fully tighten lock nuts at this time.

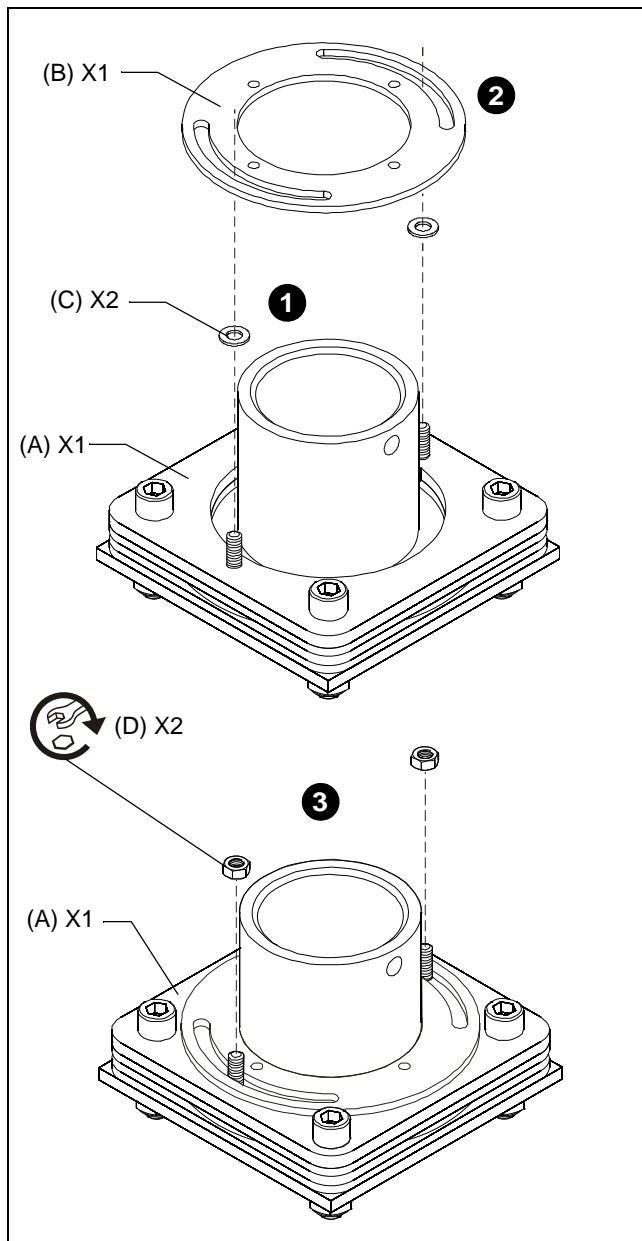


Figure 1

4. Thread Swivel Adapter (A) onto existing 1 ½" NPT pipe. (See Figure 2)

5. Secure Swivel Adapter (A) to 1 ½" NPT pipe using one Set Screw (F) and hex wrench. (See Figure 2)

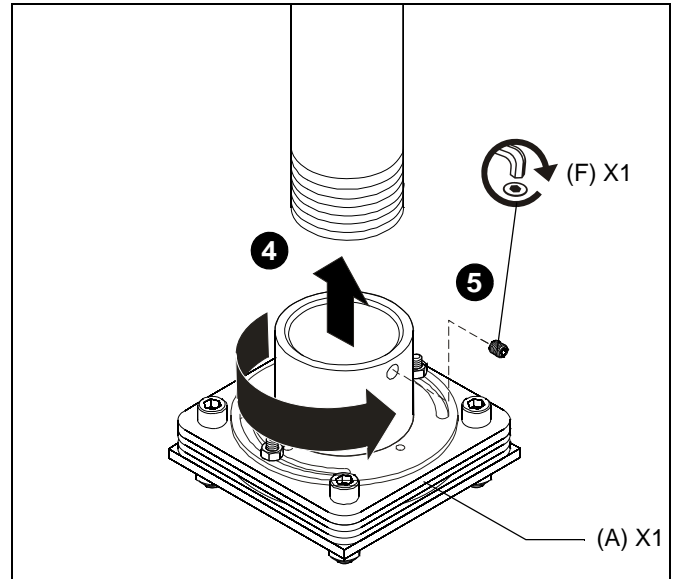


Figure 2

6. Rotate the bottom of Swivel Adapter (A) until middle set screw in swivel adapter (A) makes contact with tab in stop plate (B). (See Figure 3)

NOTE: This is considered the first stop position.

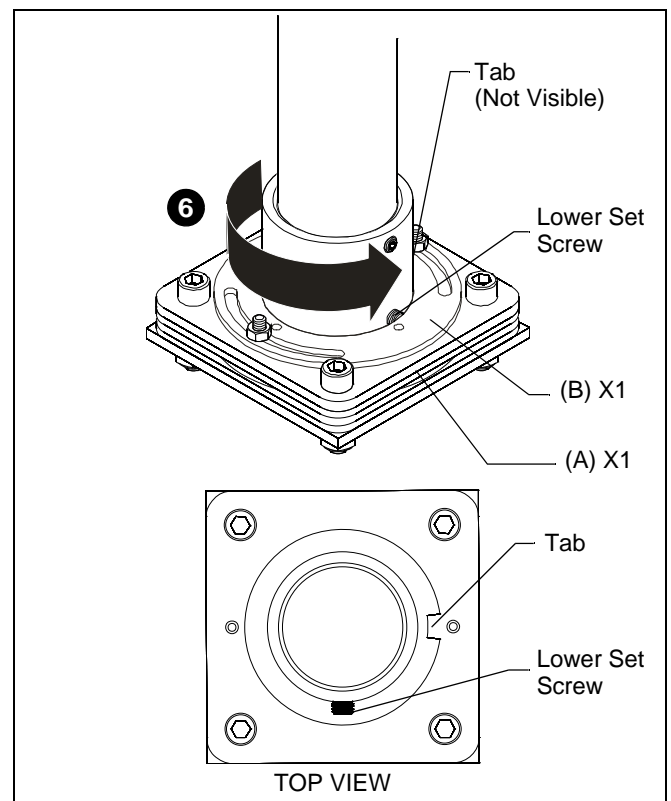


Figure 3

7. Thread one 1 1/2" NPT pipe into lower Swivel Adapter (A). (See Figure 4)
8. Secure lower 1 1/2" NPT pipe to swivel adapter (A) using one set screw (G). (See Figure 4)



WARNING: Exceeding the weight capacity can result in serious personal injury or damage to equipment! It is the installer's responsibility to make sure the combined weight of all components located between the CMA351 up to (and including) the display/projector does not exceed 500 lbs (226.8 kg).

The weight capacity of the CMA351 may be LIMITED to the lowest weight capacity of any other component located between the CMA351 and the supporting structure!

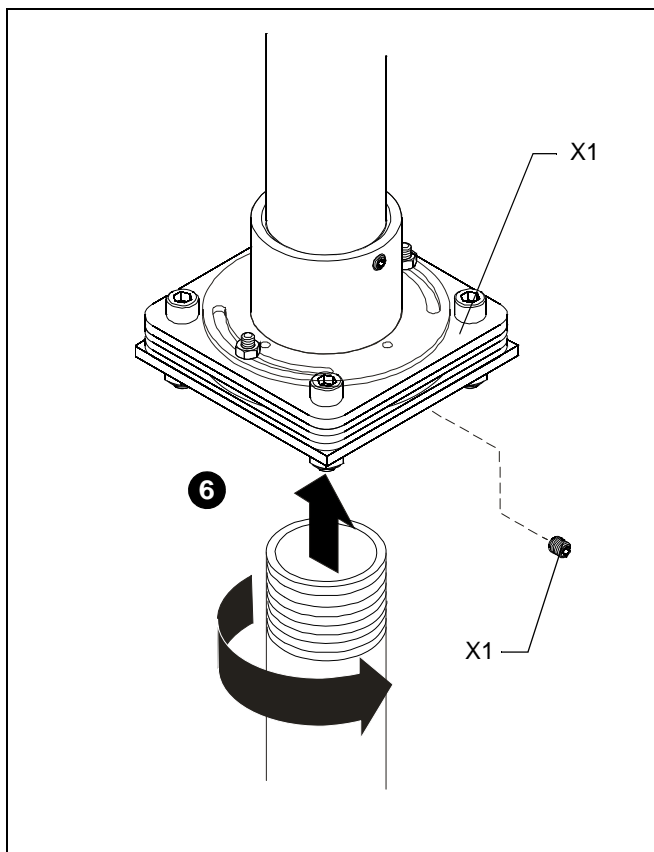


Figure 4

9. Rotate the bottom portion of the CMA-351 to the desired location for the second stop (0 degrees to 330 degrees). (See Figure 5)
10. Insert one Phillips pan head screw (E) in the nearest threaded hole in stop plate (B). (See Figure 5)

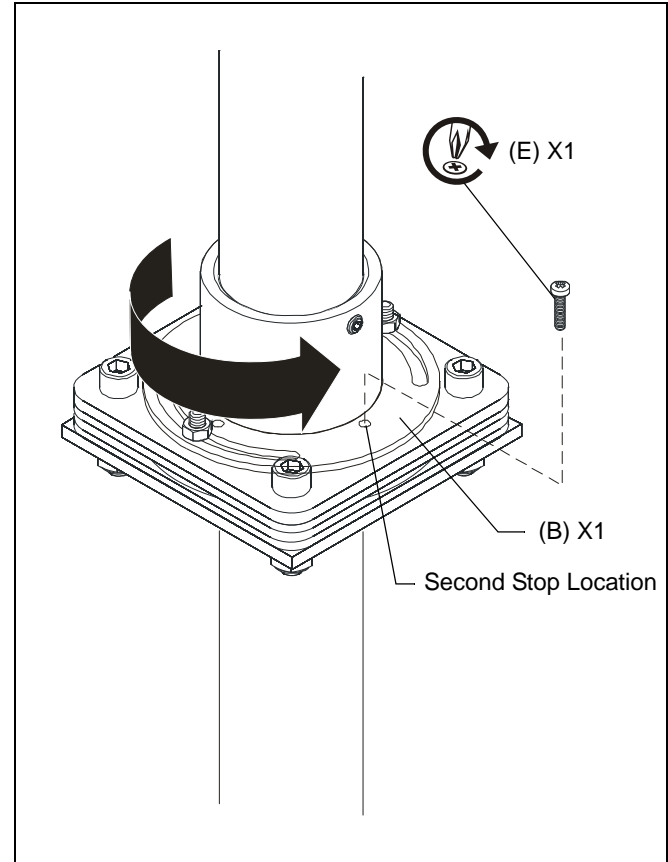


Figure 5

11. Tighten two lock nuts (D). (See Figure 6)

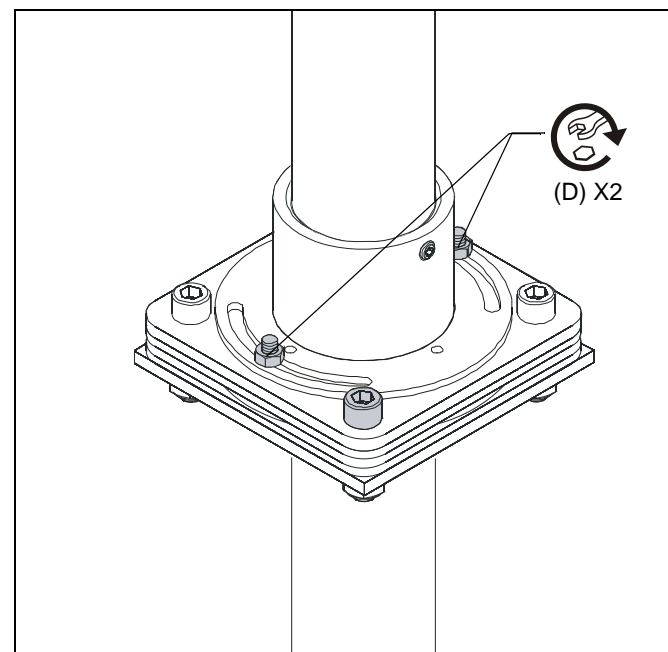


Figure 6



8803-000010 RevA
©2007 Chief Manufacturing
www.chiefmfg.com
11/07

USA/International	A 8401 Eagle Creek Parkway, Savage, MN 55378 P 800.582.6480 / 952.894.6280 F 877.894.6918 / 952.894.6918
Europe	A Fellenoord 130 5611 ZB EINDHOVEN, The Netherlands P +31 (0)40 2668620 F +31 (0)40 2668615
Asia Pacific	A Room 24F, Block D, Lily YinDu International Building LuoGang, BuJi Town, Shenzhen, CHINA. P +86-755-8996 9226 F +86-755-8996 9217



Free Manuals Download Website

<http://myh66.com>

<http://usermanuals.us>

<http://www.somanuals.com>

<http://www.4manuals.cc>

<http://www.manual-lib.com>

<http://www.404manual.com>

<http://www.luxmanual.com>

<http://aubethermostatmanual.com>

Golf course search by state

<http://golfingnear.com>

Email search by domain

<http://emailbydomain.com>

Auto manuals search

<http://auto.somanuals.com>

TV manuals search

<http://tv.somanuals.com>