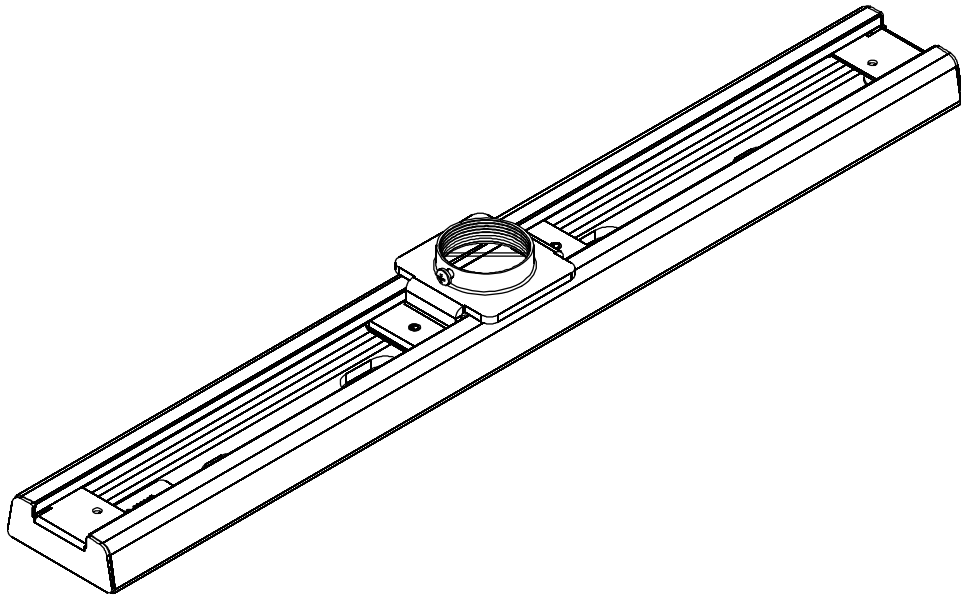

INSTALLATION INSTRUCTIONS



16"/24" Adjustable On-Center Ceiling Plate

 **CHIEF**[®]

CMS390/CMS391

DISCLAIMER

Milestone AV Technologies, Inc., and its affiliated corporations and subsidiaries, intend to make this manual accurate and complete. However, Milestone makes no claim that the information contained herein covers all details, conditions or variations, nor does it provide for every possible contingency in connection with the installation or use of this product. The information contained in this document is subject to change without notice or obligation of any kind. Milestone makes no representation of warranty, expressed or implied, regarding the information contained herein. Milestone assumes no responsibility for accuracy, completeness or sufficiency of the information contained in this document.

! IMPORTANT WARNINGS AND CAUTIONS!

! WARNING: A WARNING alerts you to the possibility of serious injury or death if you do not follow the instructions.

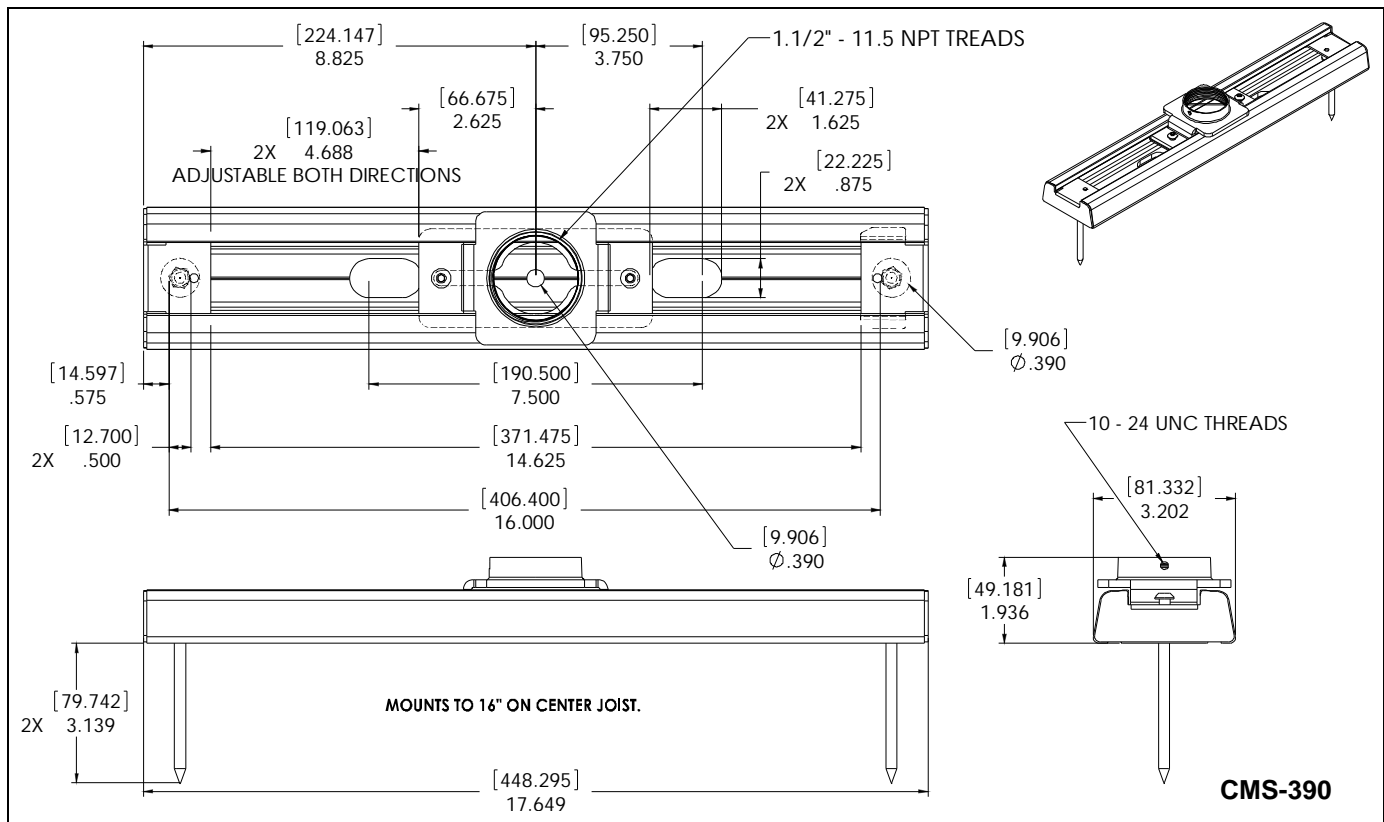
! CAUTION: A CAUTION alerts you to the possibility of damage or destruction of equipment if you do not follow the corresponding instructions.

! WARNING: Failure to read, thoroughly understand, and follow all instructions can result in serious personal injury, damage to equipment, or voiding of factory warranty! It is the installer's responsibility to make sure all components are properly assembled and installed using the instructions provided.

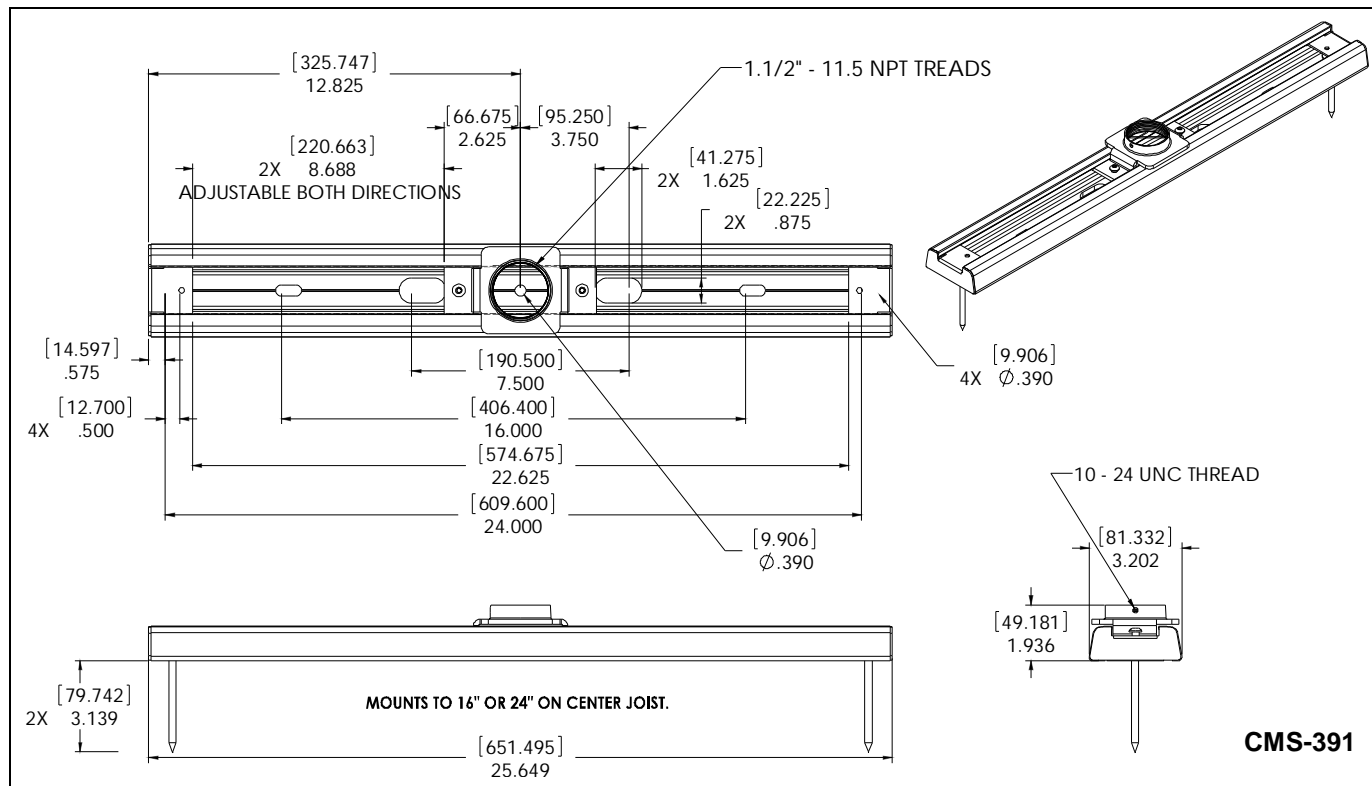
! WARNING: Failure to provide adequate structural strength for this component can result in serious personal injury or damage to equipment! It is the installer's responsibility to make sure the structure to which this component is attached can support five times the combined weight of all equipment. Reinforce the structure as required before installing the component.

! WARNING: Exceeding the weight capacity can result in serious personal injury or damage to equipment! It is the installer's responsibility to make sure the combined weight of all components attached to the CMS390/391 up to (and including) the display/projector does not exceed 500 lbs (226.80kg).

DIMENSIONS



DIMENSIONS...cont'd



LEGEND

	Tighten Fastener
	Apretar elemento de fijación
	Befestigungsteil festziehen
	Apertar fixador
	Serrare il fissaggio
	Bevestiging vastdraaien
	Serrez les fixations

	Loosen Fastener
	Aflojar elemento de fijación
	Befestigungsteil lösen
	Desapertar fixador
	Allentare il fissaggio
	Bevestiging losdraaien
	Desserrez les fixations

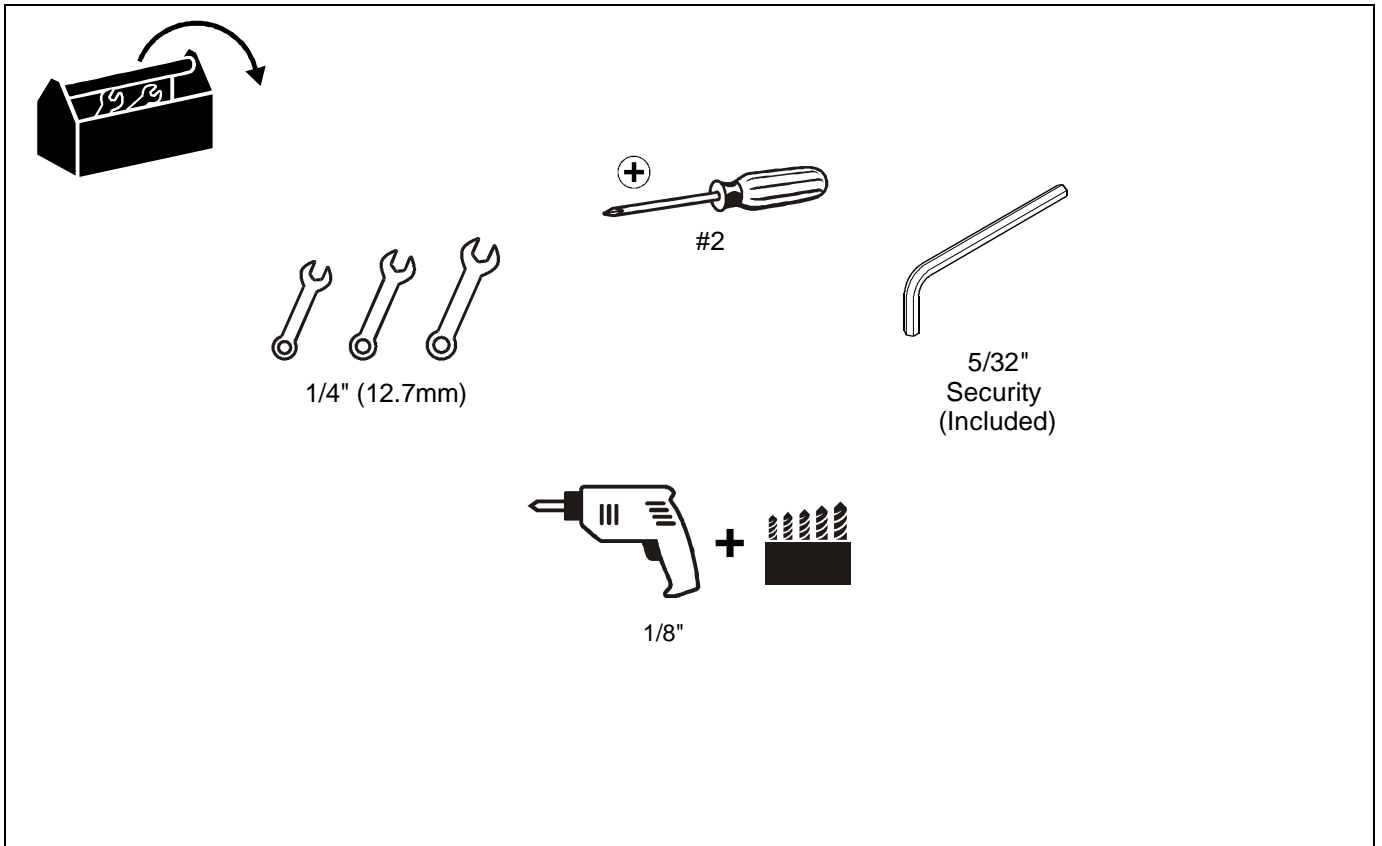
	Phillips Screwdriver
	Destornillador Phillips
	Kreuzschlitzschraubendreher
	Chave de fendas Phillips
	Cacciavite a stella
	Kruiskopschroevendraaier
Tournevis à pointe cruciforme	

	Security Wrench
	Llave de seguridad
	Sicherheitsschlüssel
	Chave de segurança
	Chiave di sicurezza
	Veiligheidssleutel
	Clé de sécurité

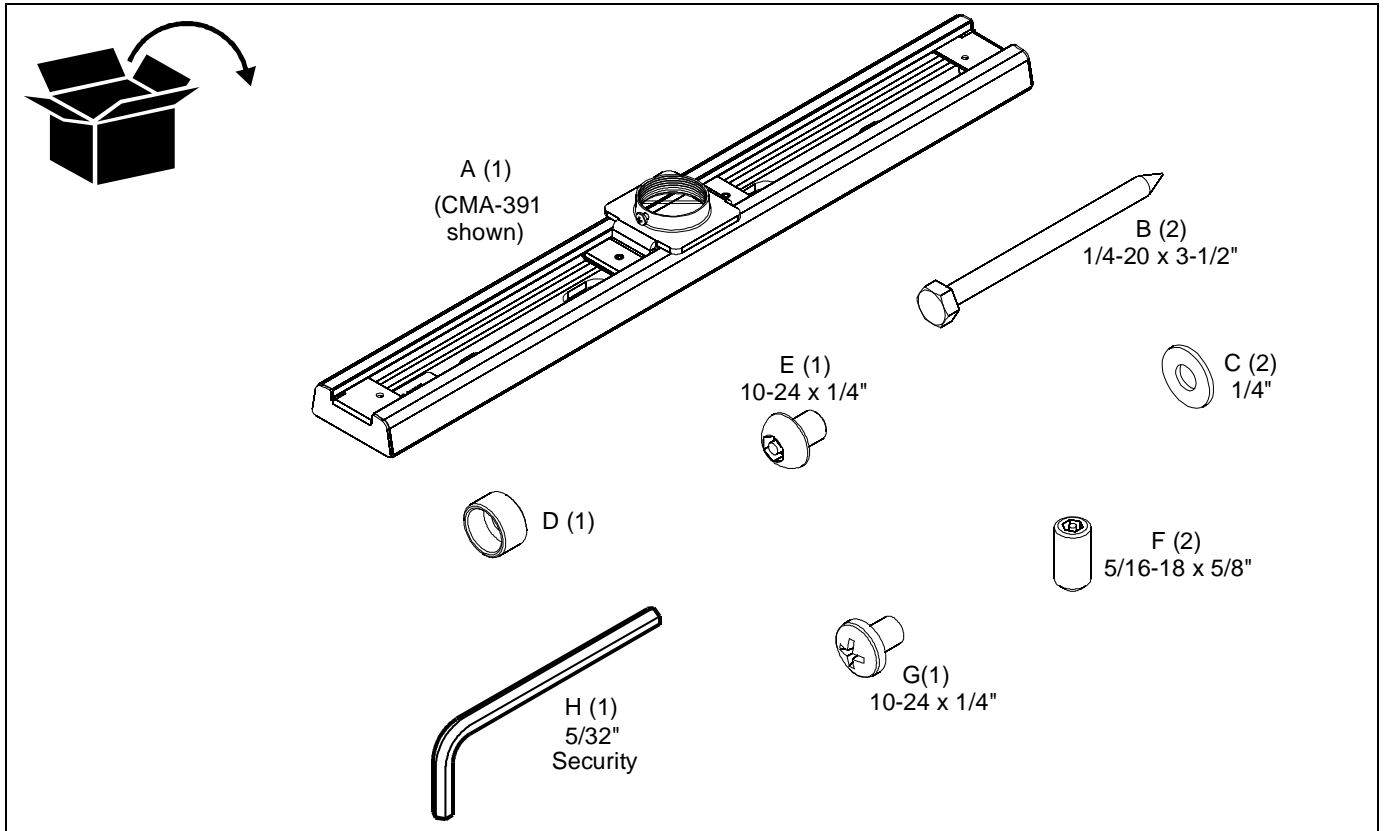
	By Hand
	A mano
	Von Hand
	Com a mão
	A mano
	Met de hand
	À la main

	Open-Ended Wrench
	Llave de boca
	Gabelschlüssel
	Chave de bocas
	Chiave a punte aperte
	Steeksleutel
	Clé à fourche

TOOLS REQUIRED FOR INSTALLATION



PARTS



INSTALLATION

NOTE: The CMS-390 and CMS-391 attach to a 1-1/2" NPT threaded column in a finished ceiling with 16" on-center (CMS-390) or 24" on-center (CMS-391) wood joists. In addition, both the CMS-390 and CMS-391 can be installed in line on a single joist.

1. Remove end caps from ceiling plate (A). (See Figure 1)

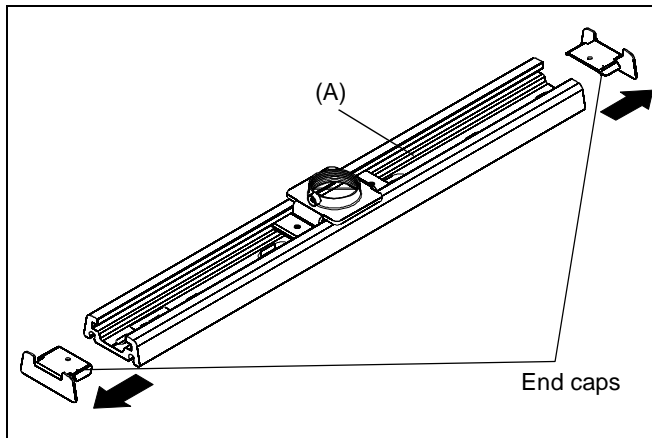


Figure 1

2. Drill two 1/8" pilot holes into wood joists.
3. Install ceiling plate (A) to ceiling using two 1/4-20 x 3-1/2" lag bolts (B) and two 1/4" flat washers (C). (See Figure 2)
4. Re-install end caps onto ceiling plate (A). (See Figure 2)

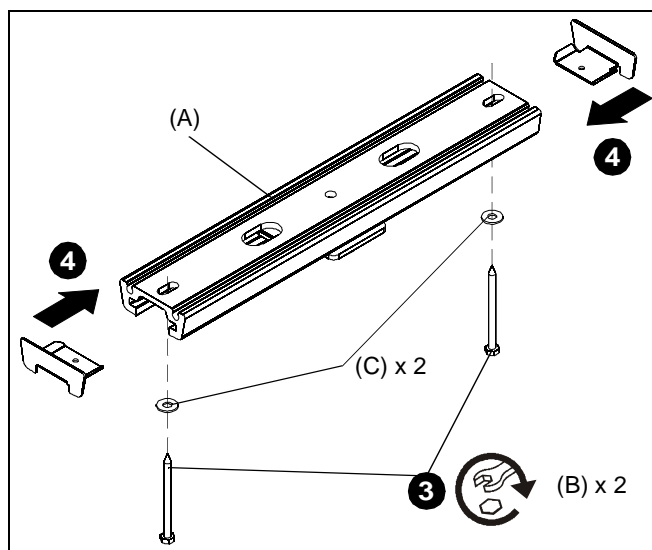


Figure 2

5. Install 1-1/2" NPT threaded column (not included) into threaded collar on ceiling plate (A).
6. Install one 10-24 x 1/4" Phillips head screw (G) into threaded collar and tighten. (See Figure 3)

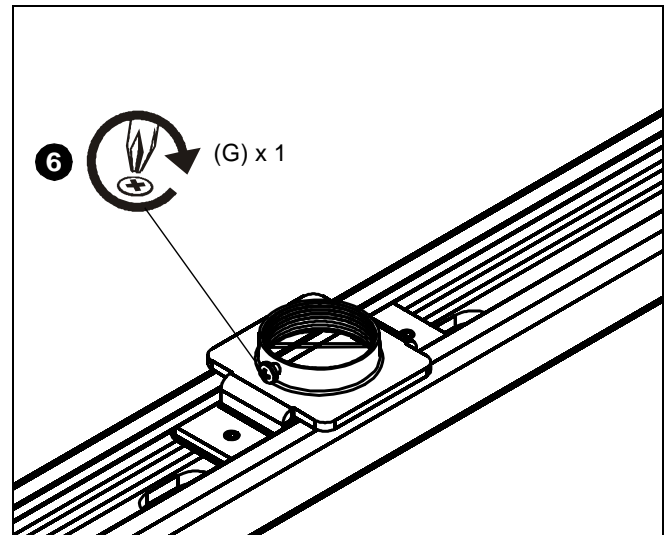


Figure 3

Security

1. For increased security, remove two set screws from ceiling plate and replace with two 5/16-18 x 5/8" security set screws (F). Tighten with 5/32" security hex wrench (H). (See Figure 4)

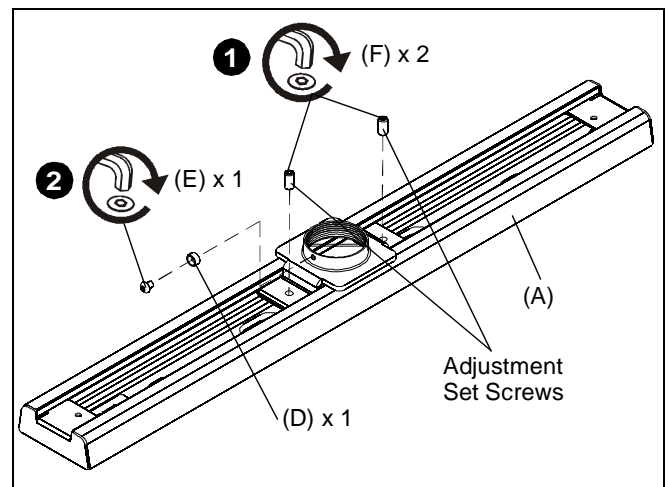


Figure 4

2. For additional security, remove Phillips screw in threaded collar of ceiling plate and replace with one 10-24 x 1/4" button head security cap screw (E) through security spinner (D). Tighten with 5/32" security hex wrench (H). (See Figure 4)

Adjustment

To adjust position of ceiling plate, loosen adjustment set screws, adjust plate to position, and tighten screws. (See Figure 4)



8803-000092
©2008 Chief Manufacturing
www.chiefmfg.com
02/08

USA/International	A 8401 Eagle Creek Parkway, Savage, MN 55378 P 800.582.6480 / 952.894.6280 F 877.894.6918 / 952.894.6918
Europe	A Fellenoord 130 5611 ZB EINDHOVEN, The Netherlands P +31 (0)40 2668620 F +31 (0)40 2668615
Asia Pacific	A Room 24F, Block D, Lily YinDu International Building LuoGang, BuJi Town, Shenzhen, CHINA. 深圳市布吉罗岗村百合银都国际大厦D栋24F P +86-755-8996 9226 F +86-755-8996 9217

Free Manuals Download Website

<http://myh66.com>

<http://usermanuals.us>

<http://www.somanuals.com>

<http://www.4manuals.cc>

<http://www.manual-lib.com>

<http://www.404manual.com>

<http://www.luxmanual.com>

<http://aubethermostatmanual.com>

Golf course search by state

<http://golfingnear.com>

Email search by domain

<http://emailbydomain.com>

Auto manuals search

<http://auto.somanuals.com>

TV manuals search

<http://tv.somanuals.com>