

---

# INSTALLATION INSTRUCTIONS

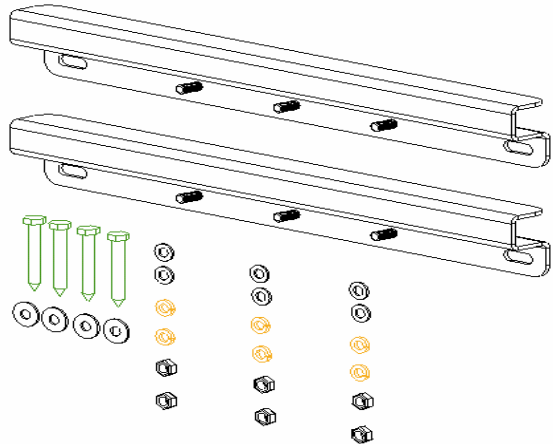
---

## CTA-111 Dual Stud Adapter

The CTA-111 Dual Stud Adapter provides a 16"-on-center mounting solution for the following wall arm:

- CTA-025 Single Stud Wall Arm

The CTA-111 has a maximum weight capacity of 300 lbs. (136.1 kg).



CTA-111 Dual Stud Adapter

### BEFORE YOU BEGIN

- **CAUTION:** To prevent damage to your equipment, which could affect or void the Factory warranty, thoroughly study all instructions and illustrations before you begin to install the CTA-111. Pay particular attention to the Warnings and Cautions in this document.
- If you have any questions about this installation, contact Chief Manufacturing at 1-800-582-6480 or 952-582-6480.



**CHIEF MANUFACTURING INC.**  
1-800-582-6480 952-894-6280 FAX 952-894-6918  
8401 EAGLE CREEK PARKWAY, STE. 700  
SAVAGE, MINNESOTA 55378 USA

8809-000024 (Rev. B)  
2007 Chief Manufacturing  
[www.chiefmfg.com](http://www.chiefmfg.com)  
03/07



## IMPORTANT WARNINGS and CAUTIONS!

<b>WARNING</b>	<b>A WARNING alerts you to the possibility of serious injury or death if you do not follow the instructions.</b>
<b>CAUTION</b>	<b>A CAUTION alerts you to the possibility of damage or destruction of equipment if you do not follow the corresponding instructions.</b>
<b>WARNING</b>	<b>Improper installation can result in serious personal injury! Make sure that the mounting surface can support a redundant weight factor <i>five times</i> the total weight of the equipment: if not, reinforce the mounting surface structural members before installing the mount.</b>
<b>WARNING</b>	<b>Be aware of the potential for personal injury or damage to the equipment if it is not adequately mounted.</b>
<b>WARNING</b>	<b>The installer is responsible for verifying that the mounting surface to which the CTA-111 is anchored will safely support the combined load of all attached components or other equipment.</b>
<b>WARNING</b>	<b>The combined weight of the TV/monitor and all attached components and equipment placed on the CTA-111 must not exceed 300 lbs. (136.1 kg), the maximum weight capacity of the CTA-111.</b>
<b>WARNING</b>	<b>Watch for pinch points. Do not put your fingers between movable parts.</b>
<b>CAUTION</b>	<b>Check the unit for shipping damage before you begin the installation.</b>

# CONTENTS

INSPECT THE UNIT BEFORE INSTALLING ..... 3  
 PARTS ..... 3  
 TOOLS REQUIRED FOR INSTALLATION..... 4  
 INSTRUCTIONS..... 4  
     Installing Top Stud Spanning Adapter to Wall ..... 4  
     Attaching Stud Spanning Adapter to Wall Arm..... 5  
     Attaching Wall Arm to Wall-Mounted Top Stud Spanning Adapter ..... 5  
     Attaching Bottom Stud Spanning Adapter to Wall ..... 6  
     Attaching Front Cover ..... 6  
     Connecting NPT Pipe or Nipple to Wall Arm..... 6

# INSPECT THE UNIT BEFORE INSTALLING

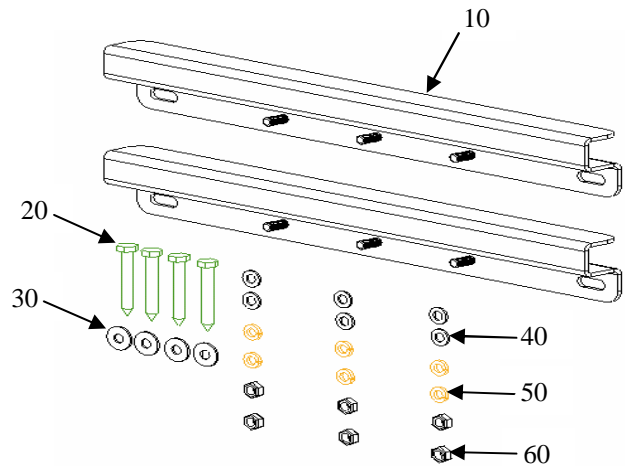
Unpack the carton. Carefully inspect the parts for shipping damage. Verify contents listed in Table 1.

If you are missing any of the listed parts, contact Customer Service at: 1-800/582-6480.300.

**Table 1. Shipping Contents**

ITEM	DESCRIPTION	QTY
10	16" Spanning Adapter	2
20	5/16 X 2.5" Lag Bolt	4
30	5/16 Flat Washer	4
40	M8 Flat Washer	6
50	M8 Lock Washer	6
60	M8 Hex Nut	6

# PARTS



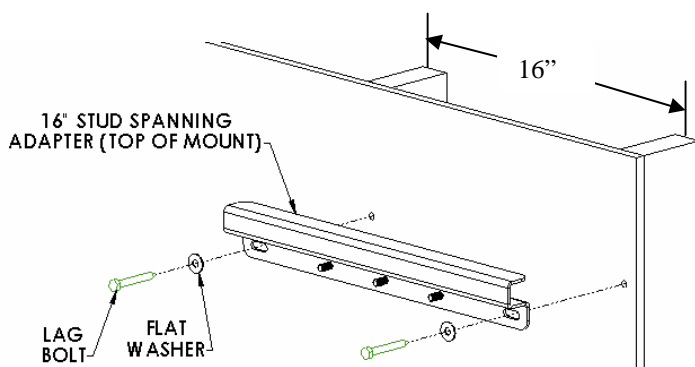
**Figure 1. CTA-111 Parts**

## TOOLS REQUIRED FOR INSTALLATION

The tools required for installation are as follows:

- Electric drill and bit set
- Stud sensor (mechanical or electronic)
- ½" box-end wrench or ratchet with ½" socket
- 13mm box-end wrench or ratchet with 13mm socket
- Level

**NOTE:** Other tools may be required depending on your method of installation.



**Figure 2. Install Stud Spanning Adapters**

## INSTRUCTIONS

### STEP 1

#### Installing Top Stud Spanning Adapter to Wall

Install the top 16" stud-spanning adapter, as follows:

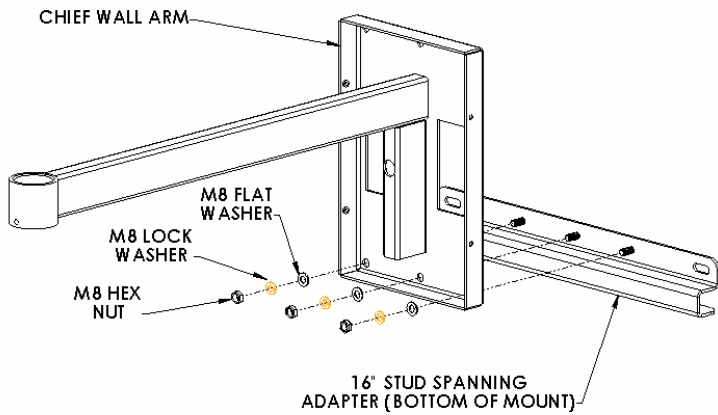
**NOTE:** The top and bottom stud-spanning adapters must be mounted to wood studs that are 16" apart on center. See Figure 2.

1. Locate the two 16" stud-spanning adapters (10), four lag bolts (20), and four flat washers (30).

#### WARNING

It is the installer's responsibility to verify that the structure to which the mount is anchored will safely support *five times* the combined load of all attached components and equipment.

2. Determine a suitable mounting location. Keep in mind that both stud-spanning adapters (10) must be mounted to wood studs that are 16" apart on center.
3. Using a stud sensor, locate the two wood studs where you will mount the top stud-spanning adapter (10).
4. Holding the top stud-spanning adapter (10) against the wall, use a pencil, awl, or small nail to mark the mounting holes where two pilot holes will be drilled into the center of the wood studs. Make sure that the mounting holes in the unit are level.
5. Using a 15/64" drill bit, drill two pilot holes for anchoring the top stud-spanning adapter (10).
6. Using two 5/16" lag bolts (20) and two 5/16" flat washers (30), attach the top stud-spanning adapter (10) to the wall.



**Figure 3. Attach Chief Wall Arm to Bottom Stud Spanning Adapter**

## STEP 2

### Attaching Stud Spanning Adapter to Wall Arm

#### NOTE

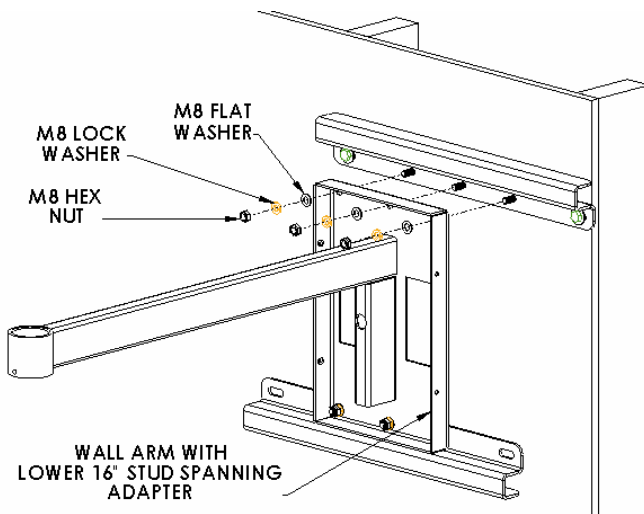
To minimize error, the wall arm is attached to the bottom stud-spanning adapter (10) *before* the wall arm *and* bottom stud-spanning adapter are secured to the wall.

Refer to CTA-025 Single Stud Wall Arm (8809-000027) document for specific installation instructions to mount the wall arm.

1. Locate the wall arm and its attaching parts [three M8 hex nuts (60), three M8 lock washers (50), and three M8 flat washers (40)]. See Figure 3.
2. Using the parts listed in step 1, attach the wall arm to the bottom 16" stud-spanning adapter (10). Tighten hex nuts. See Figure 3.

## STEP 3

### Attaching Wall Arm to Wall-Mounted Top Stud Spanning Adapter



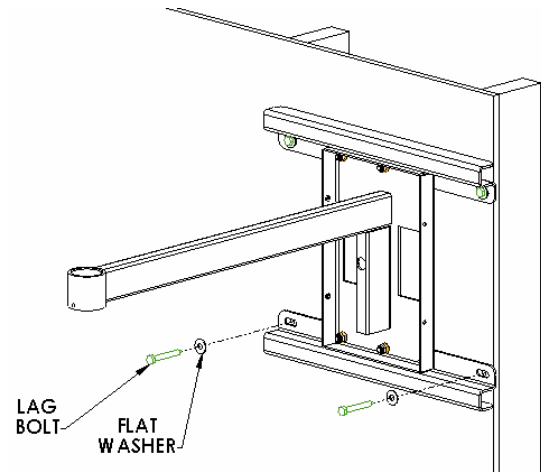
**Figure 4. Attach Wall Arm to Wall-Mounted Stud Spanning Adapter**

1. Locate the following attaching parts for the wall arm [three M8 hex nuts (60), three M8 lock washers (50), and three M8 flat washers (40)]. See Figure 4.
2. With an assistant, perform the following steps:
  - a. Lift wall arm onto the top wall-mounted 16" stud-spanning adapter (10). See Figure 4.
  - b. Using the parts listed in step 1, attach the wall arm to the top wall-mounted 16" stud-spanning adapter (10). Tighten hex nuts.

## STEP 4

### Attaching Bottom Stud Spanning Adapter to Wall

1. Using a 15/64" drill bit, drill two pilot holes for anchoring the bottom stud-spanning adapter (10) to the wall. See Figure 5.
2. Using two 5/16" lag bolts (20) and two 5/16" flat washers (30), attach the bottom stud-spanning adapter (10) to the wall.



**Figure 5. Attach Bottom Stud Spanning Adapter to Wall**

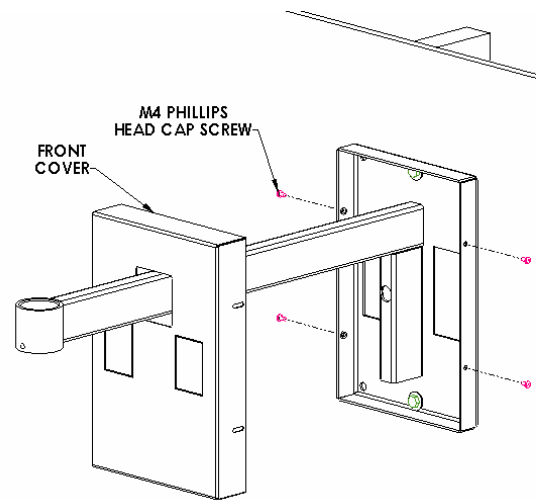
## STEP 5 [REFERENCE ONLY]

### Attaching Front Cover

1. Locate front cover and four M4 x 8mm Phillips head cap screws.

#### NOTES

- The front cover may be partially removed and reinstalled to conceal power/audio/video cables after the TV/Mount is installed.
  - You may remove one or both knockouts on cover to assist routing to wall through cover.
2. Install the front cover using four M4 8mm Phillips head cap screws. See Figure 6.



**Figure 6. Attach Front Cover**

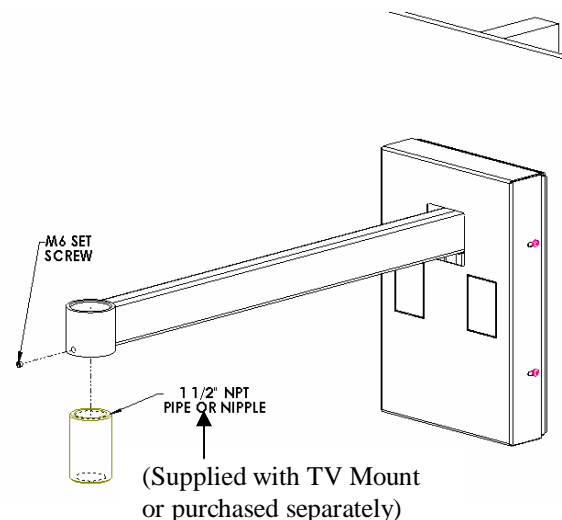
## STEP 6 [REFERENCE ONLY]

### Connecting NPT Pipe or Nipple to Wall Arm

1. Locate M6 x 6mm set screw and 1-1/2" NPT pipe or nipple (supplied with TV Mount or purchased separately).
2. Connect the 1-1/2" NPT pipe or nipple (supplied with TV Mount or purchased separately) to the wall arm. See Figure 7.
3. Using the M3 Allen key, install the M6 x 6mm set screw. Tighten the set screw.

#### WARNING

Make sure to tighten the M6 x 6mm set screw to prevent equipment damage or personal injury.



**Figure 7. Connect NPT Pipe or Nipple to Wall Arm**

## Free Manuals Download Website

<http://myh66.com>

<http://usermanuals.us>

<http://www.somanuals.com>

<http://www.4manuals.cc>

<http://www.manual-lib.com>

<http://www.404manual.com>

<http://www.luxmanual.com>

<http://aubethermostatmanual.com>

Golf course search by state

<http://golfingnear.com>

Email search by domain

<http://emailbydomain.com>

Auto manuals search

<http://auto.somanuals.com>

TV manuals search

<http://tv.somanuals.com>