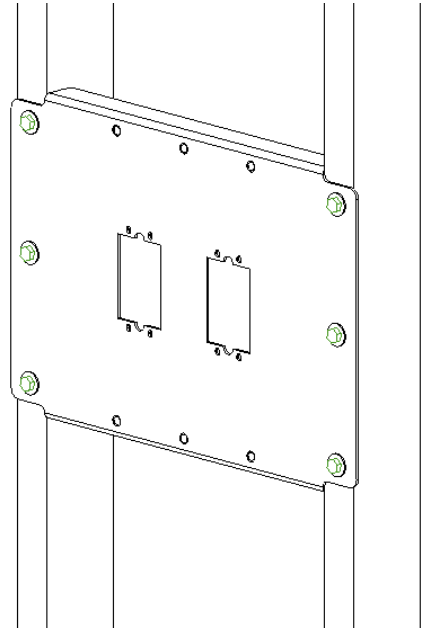

INSTALLATION INSTRUCTIONS

CTA-2536 Internal Dual Stud Wall Plate

The CTA-2536 Dual Stud Wall Plate provides a mounting solution for the following wall arms:

- CTA-025 Single Stud Wall Arm
- WMA-300 Wall Mount Arm

The CTA-2536 has a maximum weight capacity of 150 lbs. (68.0 kg).



CTA-2536 Internal Dual Stud Wall Plate

BEFORE YOU BEGIN

- **CAUTION:** To prevent damage to your equipment, which could affect or void the Factory warranty, thoroughly study all instructions and illustrations before you begin to install the CTA-2536. Pay particular attention to the Warnings and Cautions in this document.
- If you have any questions about this installation, contact Chief Manufacturing at 1-800-582-6480 or 952-582-6480.



CHIEF MANUFACTURING INC.
1-800-582-6480 952-894-6280 FAX 952-894-6918
8401 EAGLE CREEK PARKWAY, STE. 700
SAVAGE, MINNESOTA 55378 USA

8809-000028 (Rev. A)
2004 Chief Manufacturing
www.chiefmfg.com
11/04

! IMPORTANT WARNINGS AND CAUTIONS!

WARNING	A WARNING alerts you to the possibility of serious injury or death if you do not follow the instructions.
CAUTION	A CAUTION alerts you to the possibility of damage or destruction of equipment if you do not follow the corresponding instructions.
WARNING	Improper installation can result in serious personal injury! Make sure that the mounting surface can support a redundant weight factor <i>five times</i> the total weight of the equipment: if not, reinforce the mounting surface structural members before installing the mount.
WARNING	Be aware of the potential for personal injury or damage to the equipment if the CTA-2536 is not adequately mounted.
WARNING	The installer is responsible for verifying that the mounting surface to which the CTA-2536 is anchored will safely support the combined load of all attached components or other equipment.
WARNING	The combined weight of the TV/monitor and all attached components and equipment placed on a Chief Wall Plate must not exceed 150 lbs. (68.0 kg), the maximum support weight of the CTA-2536.
WARNING	Watch for pinch points. Do not put your fingers between movable parts.
CAUTION	Check the unit for shipping damage before you begin the installation.

PARTS

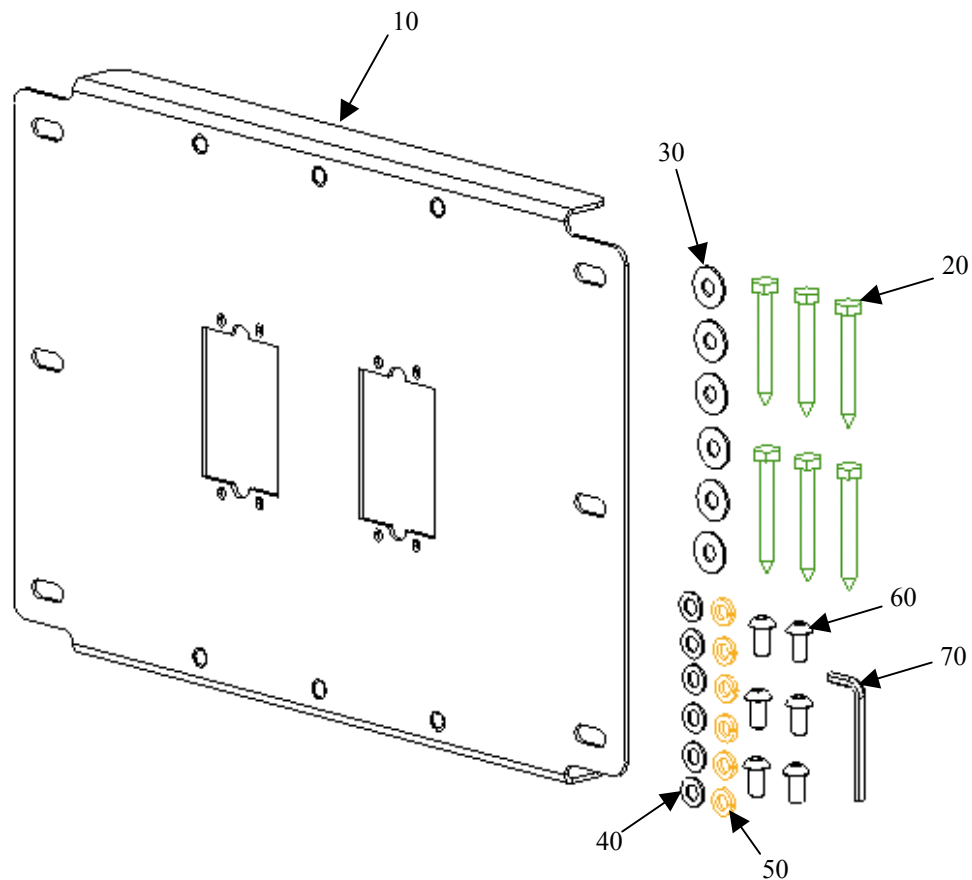


Figure 1. CTA-2536 Parts

CONTENTS

PARTS2
 INSPECT THE UNIT BEFORE INSTALLING3
 TOOLS REQUIRED FOR INSTALLATION3
 INSTRUCTIONS.....4
 Determine a Suitable Mounting Location4
 Installing the Wall Plate4
 Attaching Wall Arm to Wall Plate5
 Attaching Front Cover.....5
 Connecting NPT Pipe or Nipple to Wall Arm.....5

INSPECT THE UNIT BEFORE INSTALLING

Unpack the carton. Carefully inspect the parts for shipping damage. Verify contents listed in Table 1.

If you are missing any of the listed parts, contact Customer Service at: 1-800/582-6480.300.

Table 1. Shipping Contents

ITEM	DESCRIPTION	QTY
10	Wall Plate	1
20	5/16 X 2.5” Lag Bolt	6
30	5/16 Flat Washer	6
40	M8 Flat Washer	6
50	M8 Lock Washer	6
60	M8 X 16mm Button Head Cap Screw	6
70	M5 Allen Key	1

TOOLS REQUIRED FOR INSTALLATION

The tools required for installation are as follows:

- Electric drill and bit set
- Stud sensor (mechanical or electronic)
- ½” box-end wrench or ratchet with ½” socket
- 13mm box-end wrench or ratchet with 13mm socket
- Level

NOTE: Other tools may be required depending on your method of installation.

INSTRUCTIONS

STEP 1

Determine a Suitable Mounting Location

NOTE: The wall plate (10) must be mounted to wood studs that are 16" apart on center. See Figure 2.

1. Locate the wall plate (10), six lag bolts (20) and six flat washers (30).

WARNING

It is the installer's responsibility to verify that the structure to which the mount is anchored will safely support **five times** the combined load of all attached components and equipment.

2. Determine a suitable mounting location. Keep in mind that the wall plate (10) must be mounted to wood studs that are 16" apart on center.
3. Using a stud sensor, locate the two wood studs where you will mount the wall plate (10).

STEP 2

Installing the Wall Plate

1. Holding the wall plate (10) against the wall, use a pencil, awl, or small nail to mark the mounting holes where the top two pilot holes will be drilled into the center of the wood studs. Make sure that the mounting holes in the unit are level.
2. Using a 15/64" drill bit, drill two pilot holes for anchoring the wall plate (10). See Figure 2.
3. Using two 5/16" lag bolts (20) and two 5/16" flat washers (30), fasten the wall plate (10) to the wall. See Figure 2.
4. Repeat step 2 to drill four more pilot holes into the wood studs for the middle and bottom mounting holes.
5. Repeat step 3 to install the remaining four 5/16" lag bolts (20) and four 5/16" flat washers (30) into the wood studs and to secure the wall plate (10).

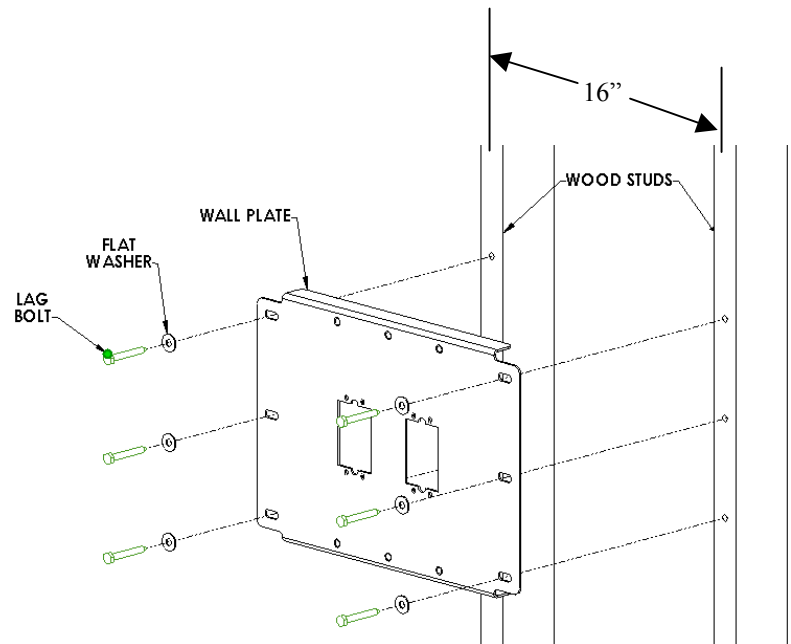


Figure 2. Install the Wall Plate

STEP 3

Attaching Wall Arm to Wall Plate

1. Locate the wall arm, six M8 flat washers (40), six M8 lock washers (50), and six M8 x 16mm button head screws (60). See Figure 3.
2. Attach wall arm to wall plate (10) as follows:
 - a. Using the parts (40, 50, and 60) described in step 1 in the top mounting holes, attach the wall arm to the wall plate (10).
 - b. Using the parts (40, 50, and 60) described in step 1 in the bottom mounting holes, attach the wall arm to the wall plate (10).
 - c. Using the M5 Allen key (70), tighten the six M8 x 16mm button head screws (60) to secure the wall arm to the wall plate (10).

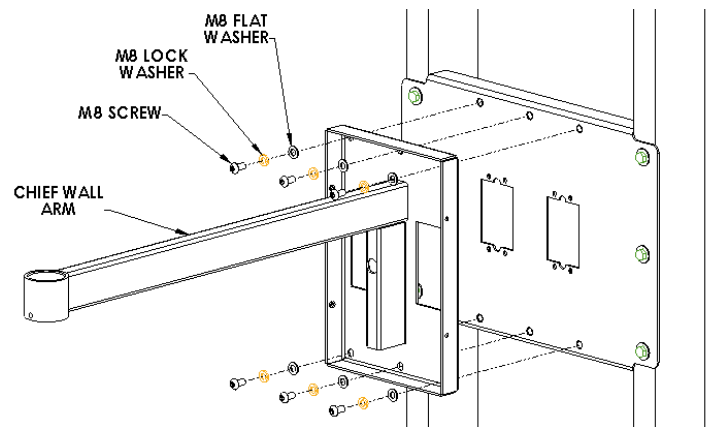


Figure 3. Attach Wall Arm to Wall Plate

STEP 4 [REFERENCE ONLY]

Attaching Front Cover

1. Locate front cover and four M4 x 8mm Phillips head cap screws (shipped with wall arm).

NOTES

- The front cover may be partially removed and reinstalled to conceal power/audio/video cables after the TV/Mount is installed.
 - You may remove one or both knockouts on cover to assist routing to wall through cover.
2. Install the front cover using four M4 8mm Phillips head cap screws. See Figure 4.

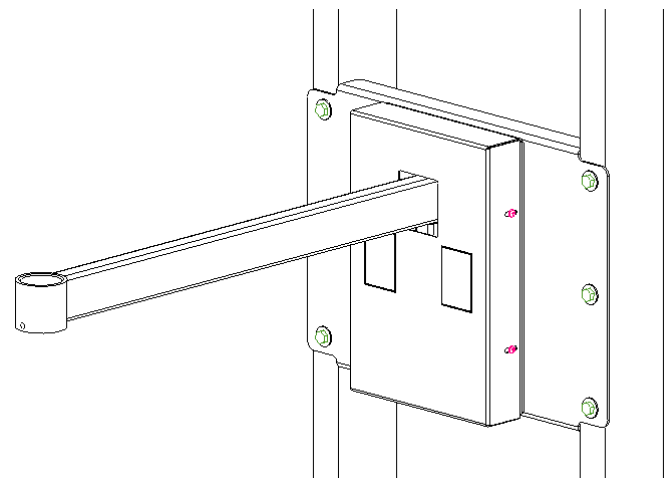


Figure 4. Install Cover on Wall Arm

STEP 5 [REFERENCE ONLY]

Connecting NPT Pipe or Nipple to Wall Arm

1. Locate M6 x 6mm set screw and 1-1/2" NPT pipe or nipple (supplied with TV Mount or purchased separately).
2. Connect the 1-1/2" NPT pipe or nipple (supplied with TV Mount or purchased separately) to the wall arm. See Figure 5.
3. Using the M3 Allen key, install the M6 x 6mm set screw. Tighten the set screw.

WARNING

Make sure to tighten the M6 x 6mm set screw to prevent equipment damage or personal injury.

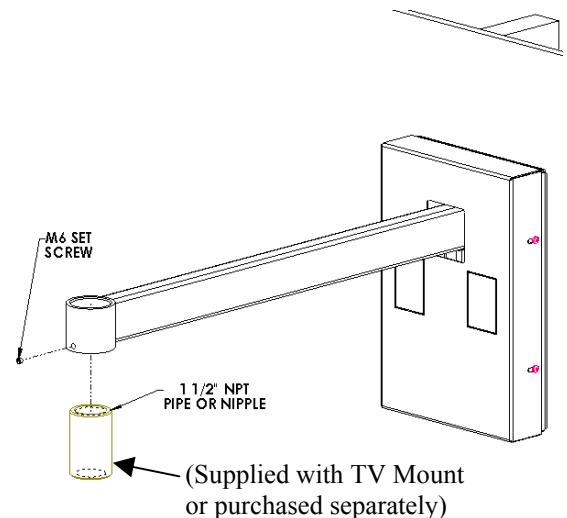


Figure 5. Connect NPT Pipe or Nipple to Wall Arm



Free Manuals Download Website

<http://myh66.com>

<http://usermanuals.us>

<http://www.somanuals.com>

<http://www.4manuals.cc>

<http://www.manual-lib.com>

<http://www.404manual.com>

<http://www.luxmanual.com>

<http://aubethermostatmanual.com>

Golf course search by state

<http://golfingnear.com>

Email search by domain

<http://emailbydomain.com>

Auto manuals search

<http://auto.somanuals.com>

TV manuals search

<http://tv.somanuals.com>