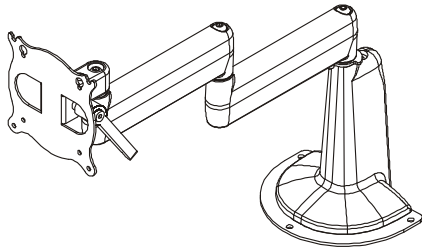
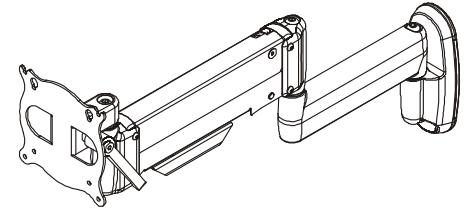
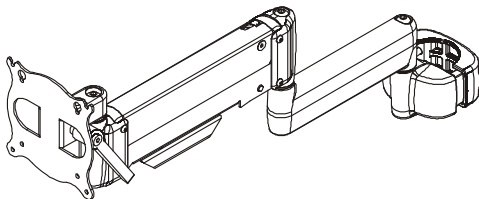

INSTALLATION INSTRUCTIONS



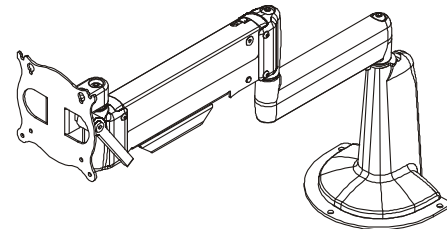
MSP-DARKCD110



MSP-DARKWE110



MSP-DARKPZ110



MSP-DARKCE110

Extreme Pitch Wall / Desk Mount / Pole Mount



Our Mounts. Your Vision.

MSP-DARKWE/CE/CD/PZ-110

DISCLAIMER

Milestone AV Technologies, and its affiliated corporations and subsidiaries (collectively, "Milestone"), intend to make this manual accurate and complete. However, Milestone makes no claim that the information contained herein covers all details, conditions or variations, nor does it provide for every possible contingency in connection with the installation or use of this product. The information contained in this document is subject to change without notice or obligation of any kind. Milestone makes no representation of warranty, expressed or implied, regarding the information contained herein. Milestone assumes no responsibility for accuracy, completeness or sufficiency of the information contained in this document.

Chief® is a registered trademark of Milestone AV Technologies. All rights reserved.



WARNING: Never operate this mounting system if it is damaged. Return the mounting system to a service center for examination and repair.



WARNING: Do not use this product outdoors.

--SAVE THESE INSTRUCTIONS--



IMPORTANT SAFETY INSTRUCTIONS!



WARNING: A WARNING alerts you to the possibility of serious injury or death if you do not follow the instructions.



CAUTION: A CAUTION alerts you to the possibility of damage or destruction of equipment if you do not follow the corresponding instructions.



WARNING: Failure to read, thoroughly understand, and follow all instructions can result in serious personal injury, damage to equipment, or voiding of factory warranty! It is the installer's responsibility to make sure all components are properly assembled and installed using the instructions provided.



WARNING: Failure to provide adequate structural strength for this component can result in serious personal injury or damage to equipment! It is the installer's responsibility to make sure the structure to which this component is attached can support five times the combined weight of all equipment. Reinforce the structure as required before installing the component.

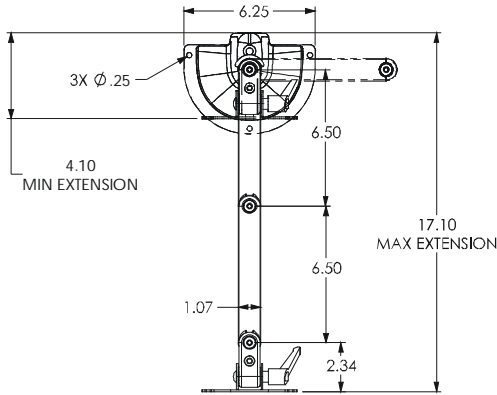


WARNING: Exceeding the weight capacity can result in serious personal injury or damage to equipment! It is the installer's responsibility to make sure the combined weight of all components attached to the MSP-DARKWE110/-DARKCE110 does not exceed 20 lbs (9 kg), MSP-DARKCD110/MSP-DARKPZ110 - 25 lbs (11.3 kg).

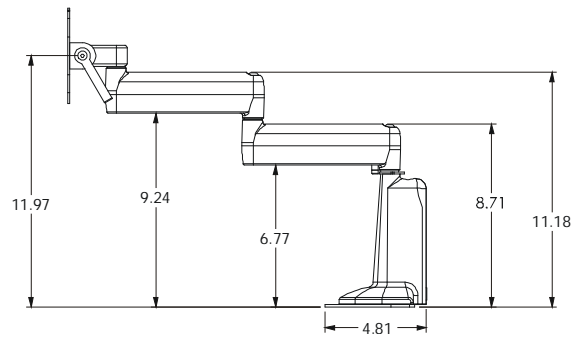
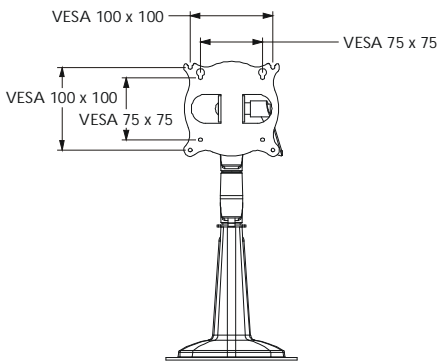
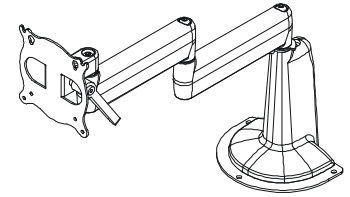


WARNING: Use this mounting system only for its intended use as described in these instructions. Do not use attachments not recommended by the manufacturer.

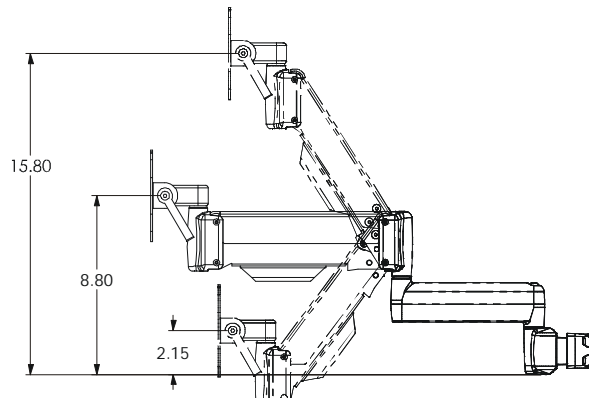
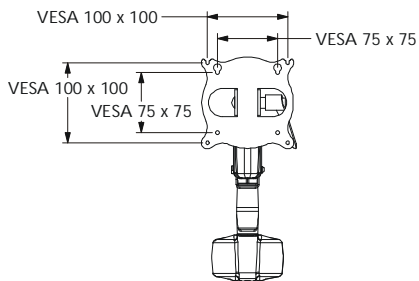
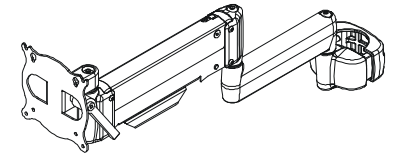
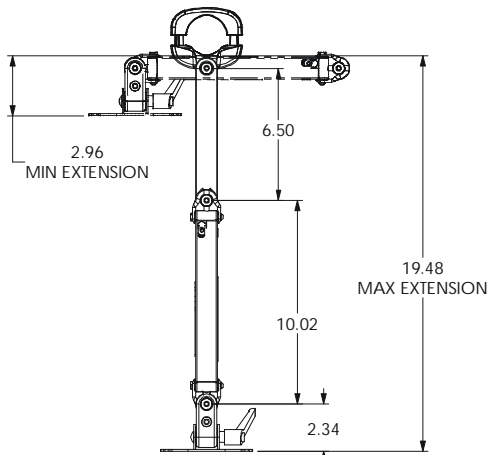
DIMENSIONS



MSP-DARKCD

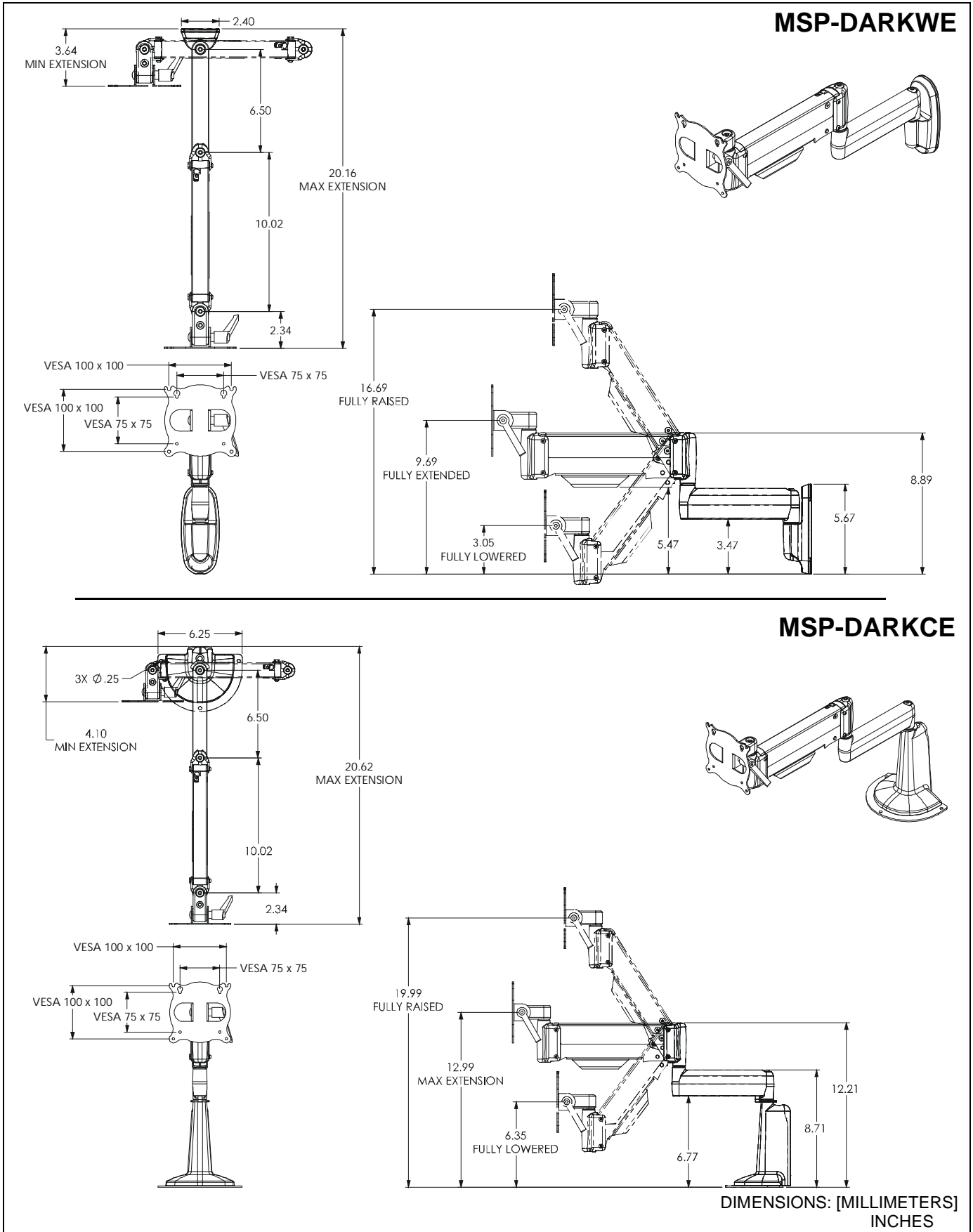


MSP-DARKPZ



DIMENSIONS: [MILLIMETERS]
INCHES

DIMENSIONS Continued



LEGEND

	Tighten Fastener
	Apretar elemento de fijación
	Befestigungsteil festziehen
	Apertar fixador
	Serrare il fissaggio
	Bevestiging vastdraaien
Serrez les fixations	

	Drill Hole
	Perforar
	Bohrloch
	Fazer furo
	Praticare un foro
	Gat boren
Percez un trou	

	Loosen Fastener
	Aflojar elemento de fijación
	Befestigungsteil lösen
	Desapertar fixador
	Allentare il fissaggio
	Bevestiging losdraaien
Desserrez les fixations	

	Hex-Head Wrench
	Llave de cabeza hexagonal
	Sechskantschlüssel
	Chave de cabeça sextavada
	Chiave esagonale
	Zeskantsleutel
Clé à tête hexagonale	

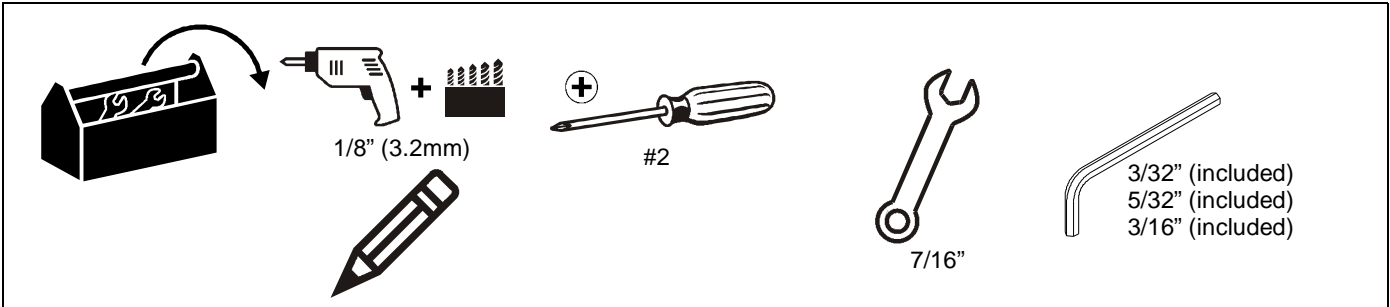
	Phillips Screwdriver
	Destornillador Phillips
	Kreuzschlitzschraubendreher
	Chave de fendas Phillips
	Cacciavite a stella
	Kruiskopschroevendraaier
Tournevis à pointe cruciforme	

	By Hand
	A mano
	Von Hand
	Com a mão
	A mano
	Met de hand
À la main	

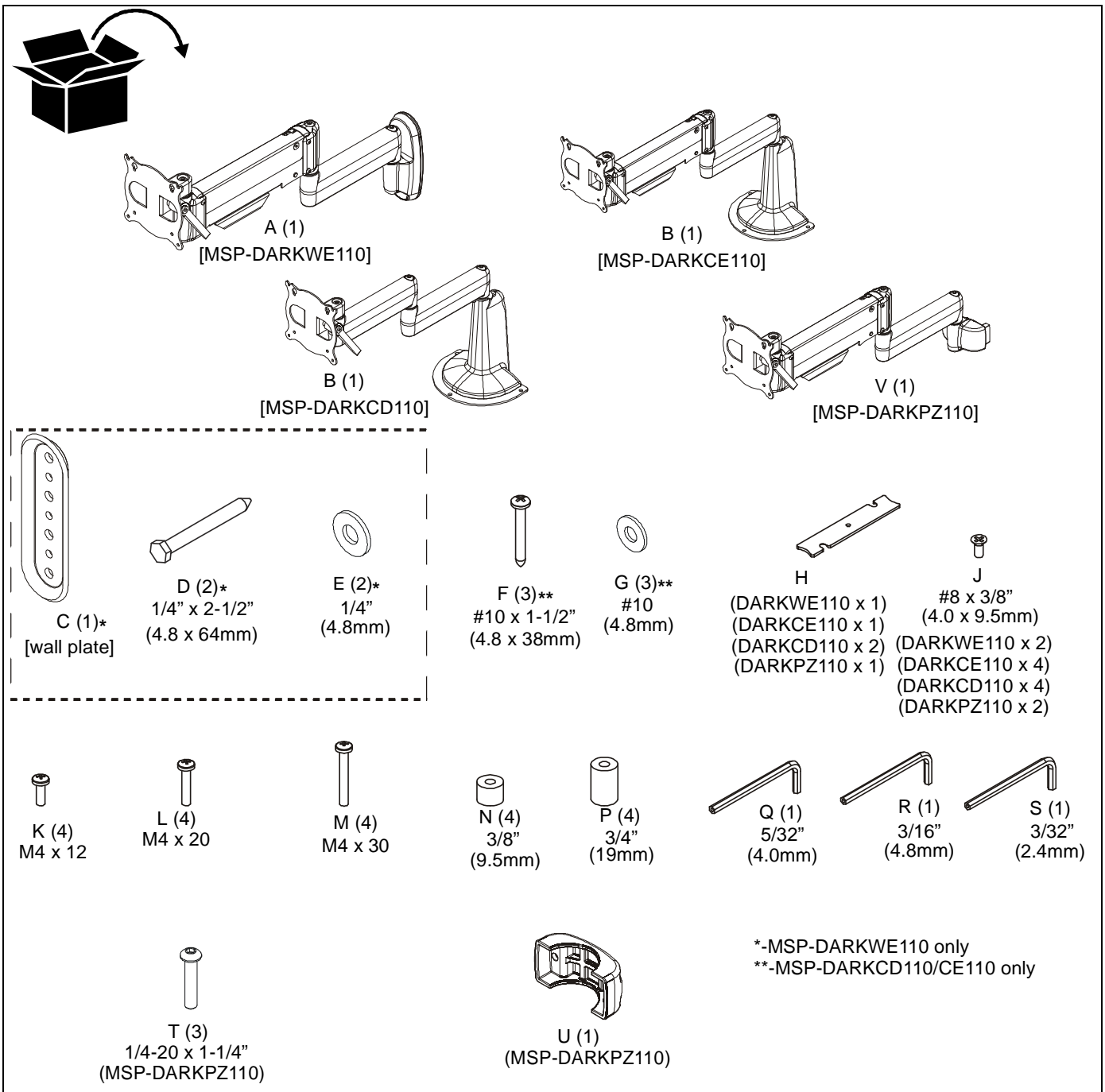
	Pencil Mark
	Marcar con lápiz
	Stiftmarkierung
	Marcar com lápis
	Segno a matita
	Potloodmerkteken
Marquage au crayon	

	Adjust
	Ajustar
	Einstellen
	Ajustar
	Regolare
	Afstellen
Ajuster	

TOOLS REQUIRED FOR INSTALLATION



PARTS



MOUNT INSTALLATION

To Wall (MSP-DARKWE110)

1. Determine location for mount keeping in mind extension and height adjustment requirements.
2. Using wall plate (C) as a template, mark location for two pilot holes through top and bottom holes of wall plate. (See Figure 1)

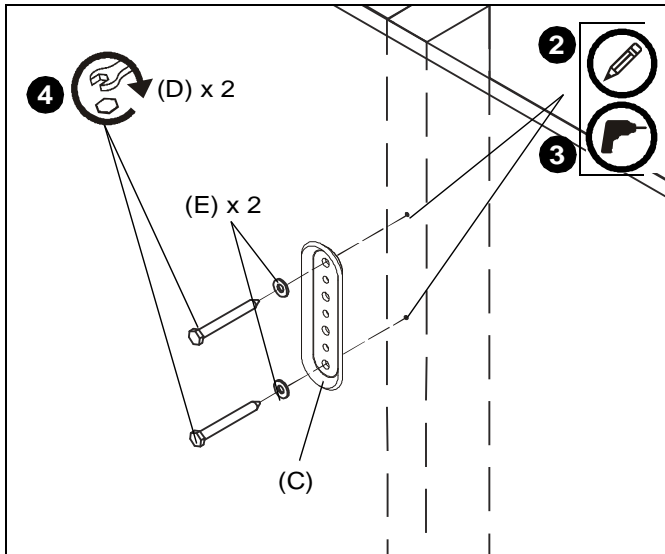


Figure 1

3. Drill two 1/8" diameter pilot holes through marked locations into wall structure. (See Figure 1)
4. Using 7/16" wrench, loosely install two 1/4" x 2 1/2" hex head lag screws (D) through two 1/4" washers (E), wall plate (C), and drywall into wood stud. (See Figure 1)
5. Ensure wall plate (C) is vertical, then tighten screws (D).

IMPORTANT ! : Over-tightening screws (D) may cause bracket (C) to compress into soft wall surface, resulting in damage to wall, difficult mount installation, and/or improper engaging of set screw in Step 6.

IMPORTANT ! : If you will be installing a display with RECESSED mounting holes, then proceed to "DISPLAY INSTALLATION" *before continuing* with this mount installation procedure.

6. Insert top of mount (A) over lip on top of bracket (C) (See Figure 2). Swing mount (A) down flush against wall.

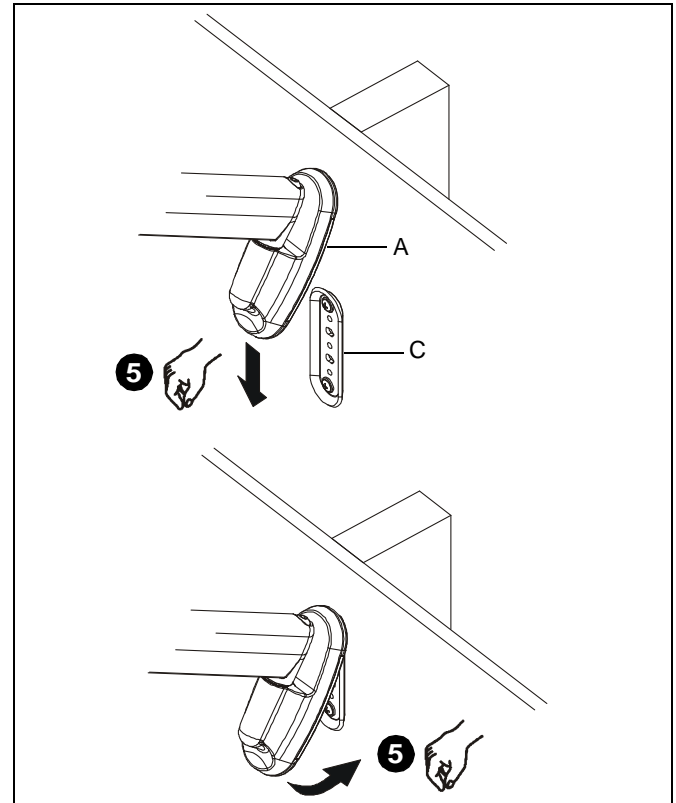


Figure 2

7. Using hex key (R), tighten set screw (See Figure 3). Ensure set screw engages *back* side of bracket (C) to properly secure mount.

NOTE: Proper engagement of set screw prevents lower end of mount (A) from being tilted away from wall.

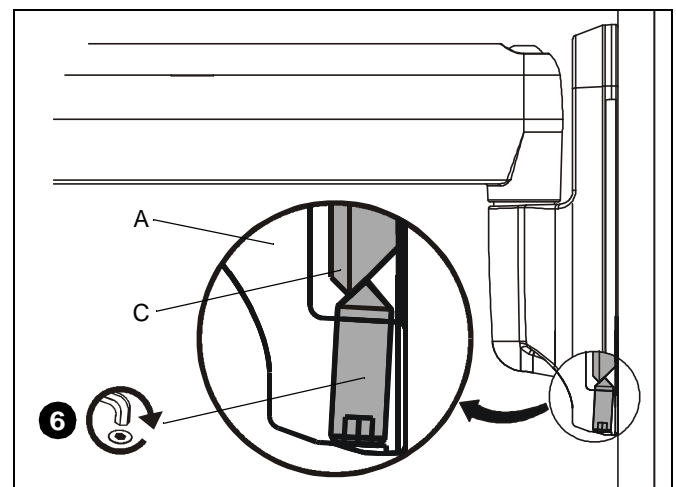
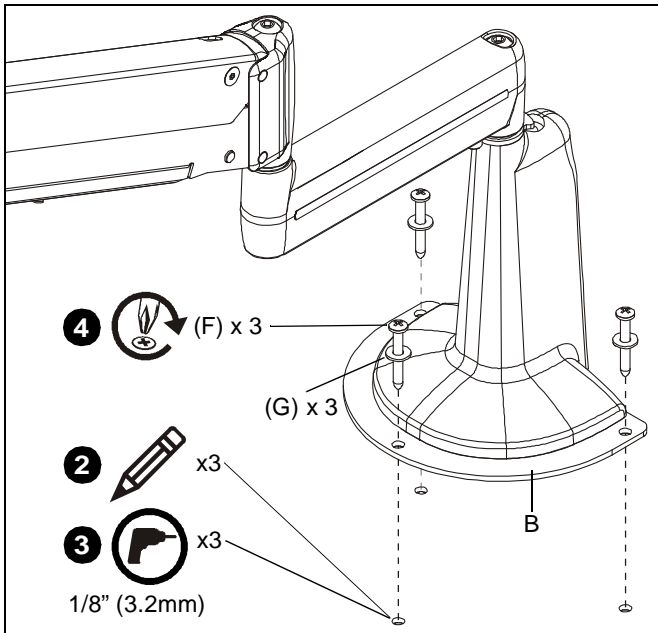


Figure 3

8. Proceed to "CABLE MANAGEMENT" if your display was *previously* installed, or to "DISPLAY INSTALLATION" if your display *is not* installed.

To Desk (MSP-DARKCE110, MSP-DARKCD110)

1. Determine approximate location for mount keeping in mind display size, arm extension, and pitch/roll requirements.
2. Using mount (B) as a template, mark location of three pilot holes (See Figure 4).
3. Drill three 1/8" diameter pilot holes in mounting structure at marked locations (See Figure 4). Ensure pilot holes are straight.

**Figure 4**

IMPORTANT ! : IF you will be installing a display with RECESSED mounting holes, then proceed to "DISPLAY INSTALLATION" *before continuing* with this mount installation procedure.

4. Install three #10 x 1 1/2" Phillips head screws (F) through three #10 washers (G) and mount (B) into pilot holes (See Figure 4). Tighten screws.
5. Proceed to "CABLE MANAGEMENT" if your display was *previously* installed, or to "DISPLAY INSTALLATION" if your display *is not* installed.

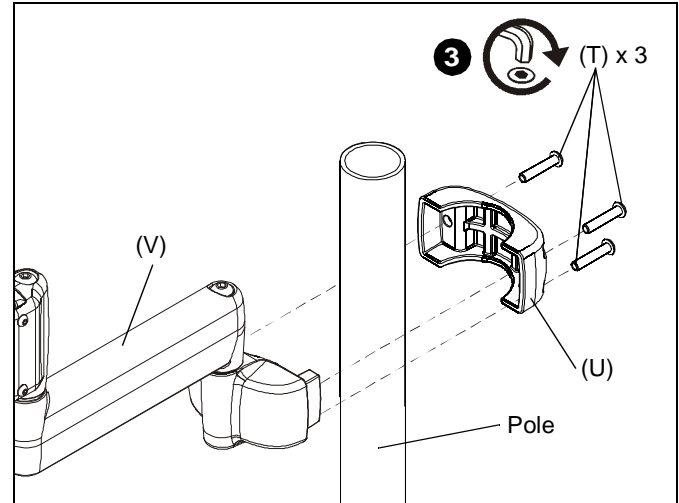
To Pole (MSP-DARKPZ110)

IMPORTANT ! : The following installation instructions assume that a 1-1/2" NPT pipe has been properly installed and is in place.

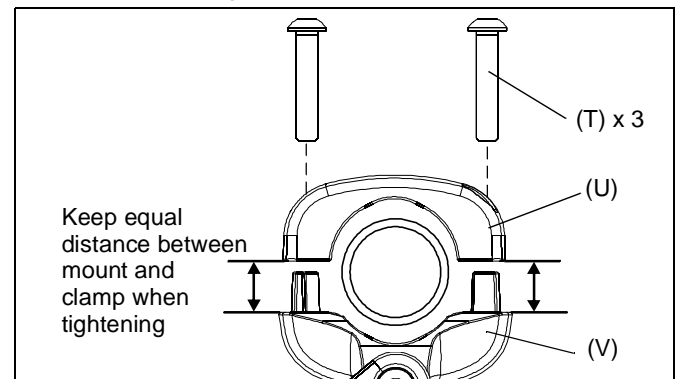
1. Determine approximate location for mount keeping in mind display size, extension, height adjustment (if applicable), and pitch/roll requirements.

IMPORTANT ! : IF you will be installing a display with RECESSED mounting holes, then proceed to "DISPLAY INSTALLATION" *before continuing* with this mount installation procedure.

2. Place mount (V) against pole, with clamp (U) on opposite side of pole (See Figure 5).
3. Using 5/32" hex key (Q), loosely assemble with three 1/4-20 x 1-1/4" button head cap screws (T). (See Figure 5)

**Figure 5**

NOTE: Equally tighten screws (T) against clamp (U) and mount (V). (See Figure 6)

**Figure 6**

4. Position mount at desired height and orientation. Tighten screws (T) securely.
5. Proceed to "CABLE MANAGEMENT" if your display was *previously* installed, or to "DISPLAY INSTALLATION" if your display *is not* installed.

DISPLAY INSTALLATION

NOTE: In Figures 7 and 8 the swing arm has been removed for clarity.



WARNING: Exceeding the weight capacity can result in serious personal injury or damage to equipment! It is the installer's responsibility to make sure the combined weight of all components attached to the MSP-DARKWE110/-DARKCE110 does not exceed 20 lbs (9 kg), MSP-DARKCD110/MSP-DARKPZ110 - 25 lbs (11.3 kg).

1. Carefully place display face down on protective surface.

2. Select spacers:

- If mounting holes are *flush with* back of display, then no spacers are required; proceed to Step 3 below.
- If mounting holes are *recessed into* back surface of display, then place spacer (N or P, as applicable) over each mounting hole on back of display (See Figure 8). Select shortest spacer which will provide adequate fill. All spacers must be same length.

NOTE: 100 x 100 mounting hole pattern shown; 75 x 75mm pattern similar.

3. Select screw *length*:

- If no spacers are required, then use screws (K).
- If using spacers (N), then use screws (L).
- If using spacers (P), then use screws (M).

4. Orient mount (A, B or V) so that mounting holes in faceplate are aligned with holes in display or holes in spacers (M, N), as applicable.



CAUTION: Using screws of improper size may damage your display! Proper screws will easily and completely thread into display mounting holes.

5. Install screws (K, L, or M; as applicable) through mounting holes on faceplate and spacers (N or P, if applicable) into display (See Figure 7) (See Figure 8).

6. Tighten all four screws. Do not over-tighten!

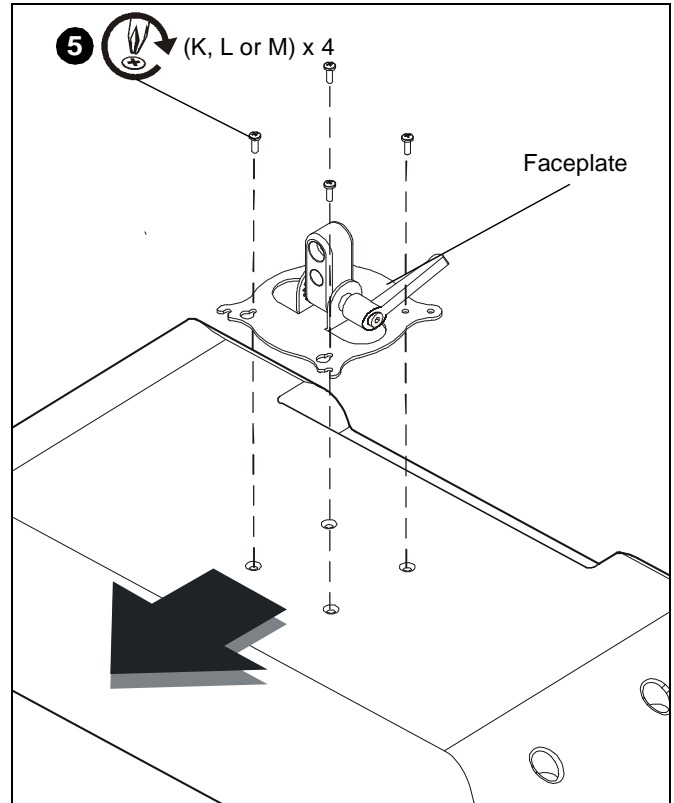


Figure 7

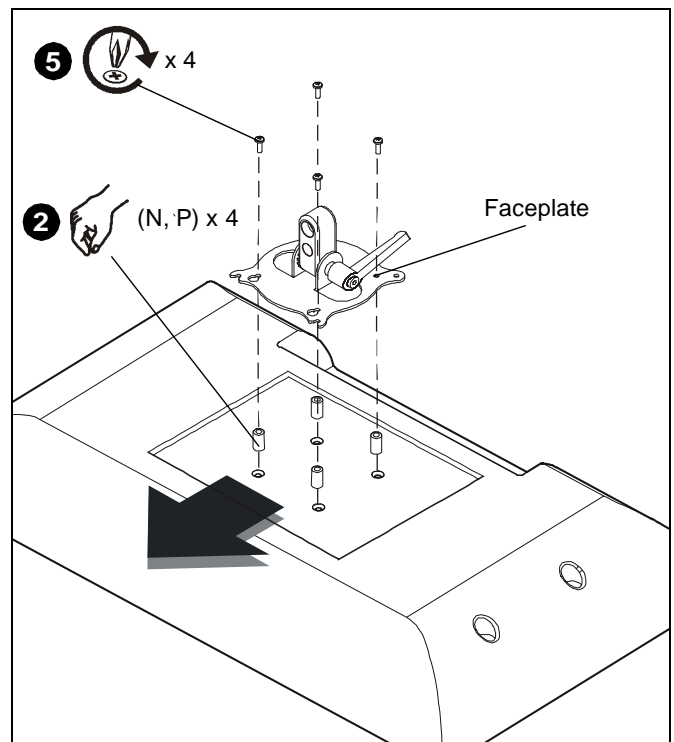


Figure 8

CABLE MANAGEMENT

NOTE: Steps 1 through 6 below apply to models DARKWE110, DARKCE110 and DARKPZ110. Proceed to Step 5 if installing DARKCD110.

1. Attach all cables to display.
2. Open the cable management bracket by sliding it towards the edge of the arm (See Figure 9).

NOTE: If necessary, cable management bracket attach screws may be loosened using hex key.

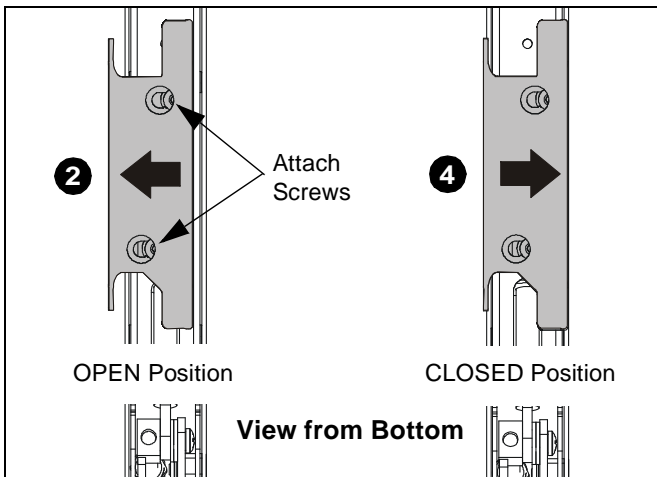


Figure 9



CAUTION: Ensure that adequate cable slack exists for movement of display, and that cables will not be pinched by installation of cover (H) or screws (J).

5. Carefully insert cables in cavity located in lower portion of mount arm (See Figure 11).
6. Using Phillips screwdriver, install two covers (H) with four screws (J).

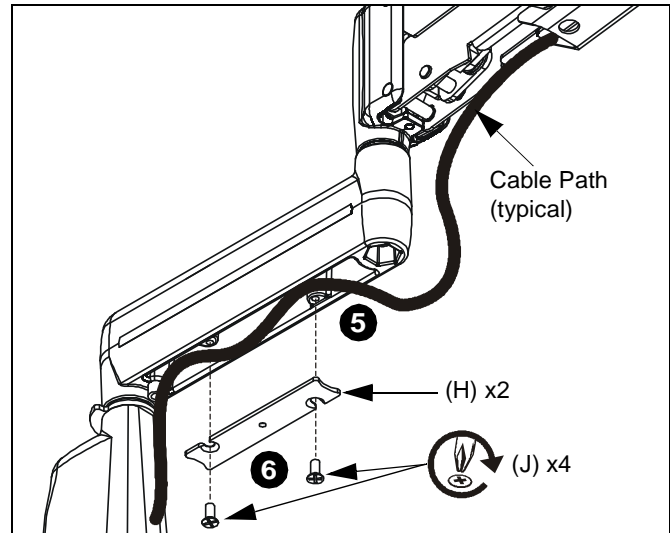


Figure 11



CAUTION: Ensure that adequate cable slack exists for movement of display, and that cables will not be pinched when bracket is closed.

3. Carefully insert cables into bracket (See Figure 10).

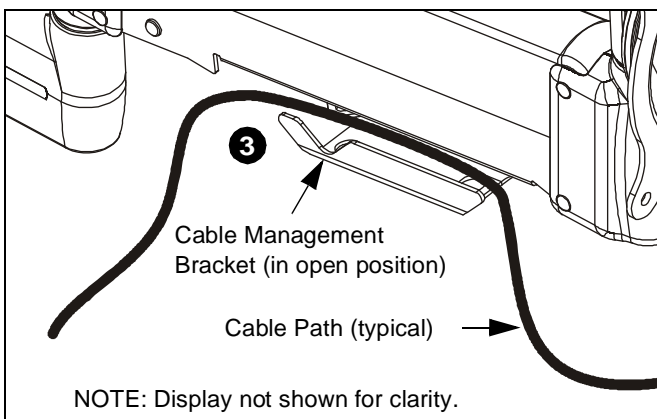


Figure 10

4. Close cable management bracket by sliding it back towards the center line of the arm (See Figure 9).

NOTE: If necessary, cable management bracket attach screws may be tightened using hex key.

ADJUSTMENTS

Pivot/Height Tension



WARNING: Excessive loosening or tightening of adjustment mechanism can result in serious personal injury or damage to equipment!

1. To adjust extension/swivel, slightly loosen or tighten adjustment screws using hex key (R) (See Figure 12). Adjust screws **ONLY** as required to achieve desired tension.
2. To adjust height tension, slightly loosen or tighten adjustment screw as necessary using hex key (Q) (See Figure 12).
 - If display settles on its own, then rotate adjustment screw counterclockwise (towards the "+" symbol).
 - If display rises on its own, then rotate adjustment screw clockwise (towards the "-" symbol).

NOTE: It may be necessary to raise or lower the height adjustable arm to expose the adjustment screw.

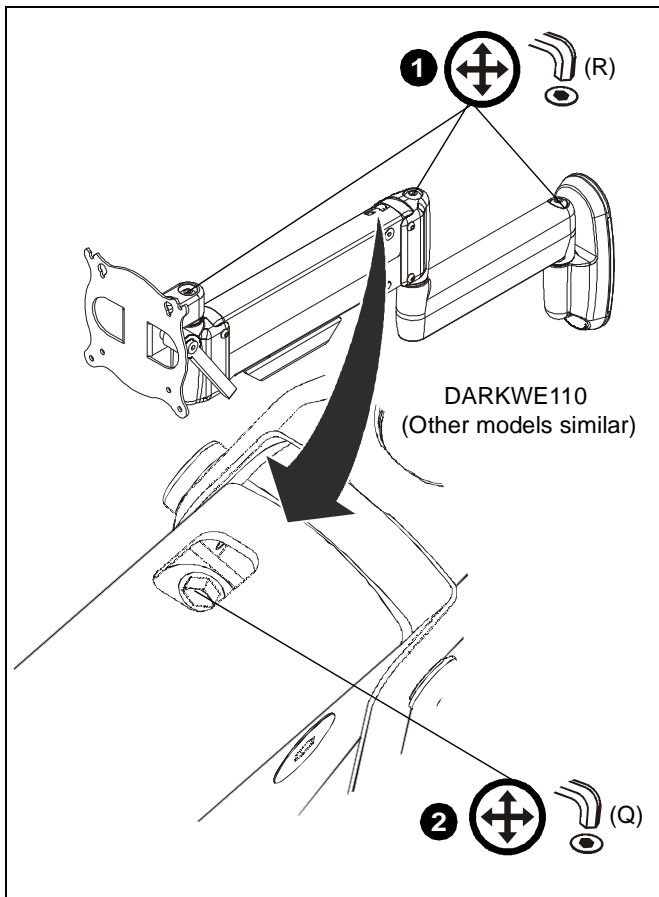


Figure 12

Pitch Adjustment

1. Pull entire handle out away from mount to allow handle position to be adjusted to be prior to pitch adjustment. (See Figure 13)

NOTE: In order to maximize leverage, position handle in lower position.

2. Adjust handle to desired position. (See Figure 13)
3. Push entire handle back towards mount prior to pitch adjustment. (See Figure 13)

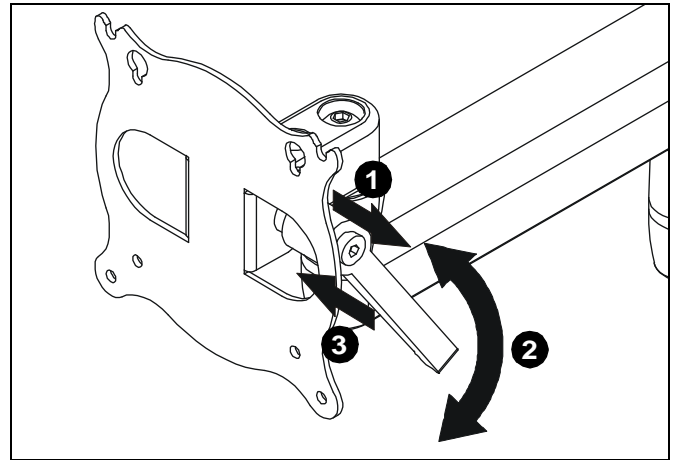


Figure 13

IMPORTANT ! : Make sure the weight of the display is adequately supported while adjusting the pitch in Steps 4-6!

4. Lift handle up until pitch can be adjusted easily. (See Figure 14)
5. Adjust pitch to desired position. (See Figure 14)
6. Push handle down until faceplate is locked at desired pitch position. (See Figure 14)

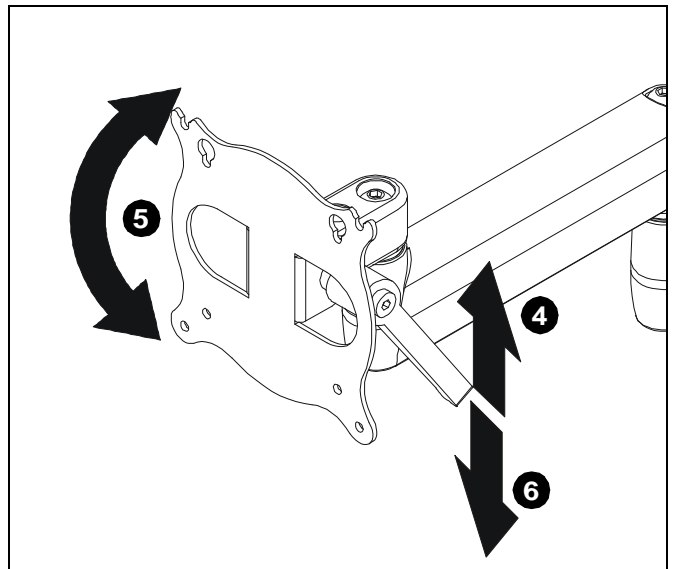


Figure 14



Our Mounts. **Your Vision.**

Chief Manufacturing, a products division
of Milestone AV Technologies

8800-002389 Rev00

©2013 Milestone AV Technologies, a
Duchossois Group Company

www.chiefmfg.com

06/13

USA/International	A 6436 City West Parkway, Eden Prairie, MN 55344
	P 800.582.6480 / 952.225.6000
	F 877.894.6918 / 952.894.6918
Europe	A Franklinstraat 14, 6003 DK Weert, Netherlands
	P +31 (0) 495 580 852
	F +31 (0) 495 580 845
Asia Pacific	A Office No. 1 on 12/F, Shatin Galleria 18-24 Shan Mei Street Fotan, Shatin, Hong Kong
	P 852 2145 4099
	F 852 2145 4477



Free Manuals Download Website

<http://myh66.com>

<http://usermanuals.us>

<http://www.somanuals.com>

<http://www.4manuals.cc>

<http://www.manual-lib.com>

<http://www.404manual.com>

<http://www.luxmanual.com>

<http://aubethermostatmanual.com>

Golf course search by state

<http://golfingnear.com>

Email search by domain

<http://emailbydomain.com>

Auto manuals search

<http://auto.somanuals.com>

TV manuals search

<http://tv.somanuals.com>