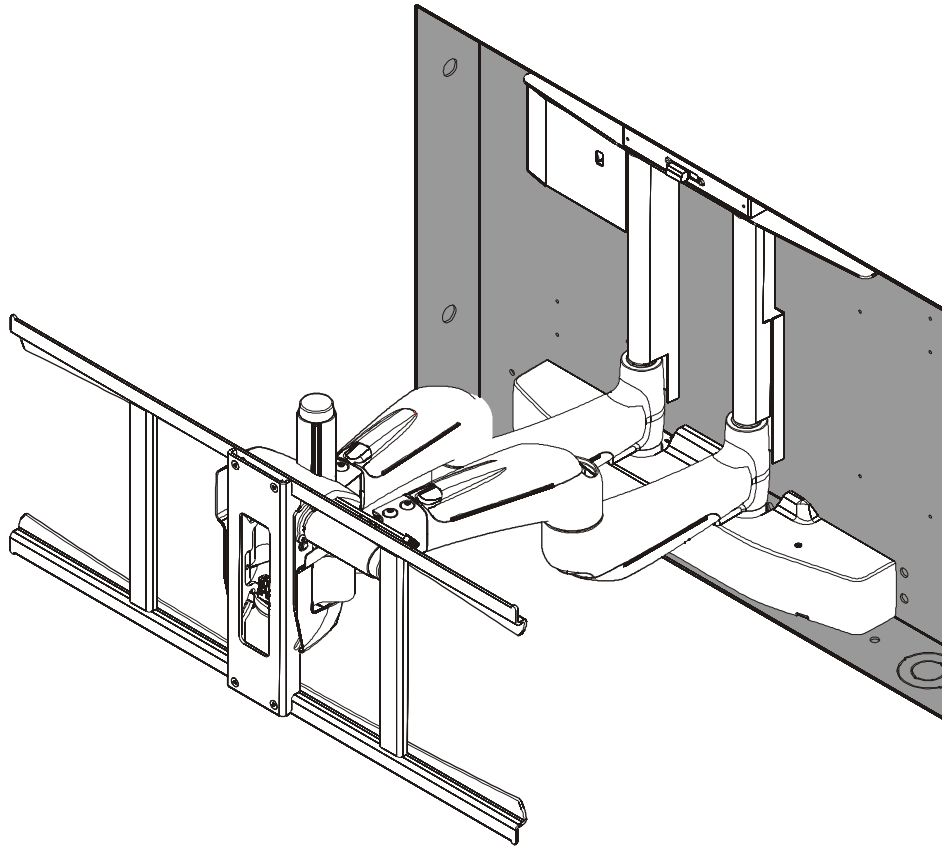


INSTALLATION INSTRUCTIONS



IN-WALL ENCLOSURE

DISCLAIMER

Milestone AV Technologies, and its affiliated corporations and subsidiaries (collectively, "Milestone"), intend to make this manual accurate and complete. However, Milestone makes no claim that the information contained herein covers all details, conditions or variations, nor does it provide for every possible contingency in connection with the installation or use of this product. The information contained in this document is subject to change without notice or obligation of any kind. Milestone makes no representation of warranty, expressed or implied, regarding the information contained herein. Milestone assumes no responsibility for accuracy, completeness or sufficiency of the information contained in this document.

Chief® is a trademark of Milestone AV Technologies.
All rights reserved.

IMPORTANT WARNINGS AND CAUTIONS!



WARNING: A WARNING alerts you to the possibility of serious injury or death if you do not follow the instructions.



CAUTION: A CAUTION alerts you to the possibility of damage or destruction of equipment if you do not follow the corresponding instructions.



WARNING: Failure to read, thoroughly understand, and follow all instructions can result in serious personal injury, damage to equipment, or voiding of factory warranty! It is the installer's responsibility to make sure all components are properly assembled and installed using the instructions provided.



WARNING: Failure to provide adequate structural strength for this component can result in serious personal injury or damage to equipment! It is the installer's responsibility to make sure the structure to which this component is attached can support five times the combined weight of all equipment. Reinforce the structure as required before installing the component. The wall to which the mount is being attached may have a maximum drywall thickness of 5/8" (1.6cm).

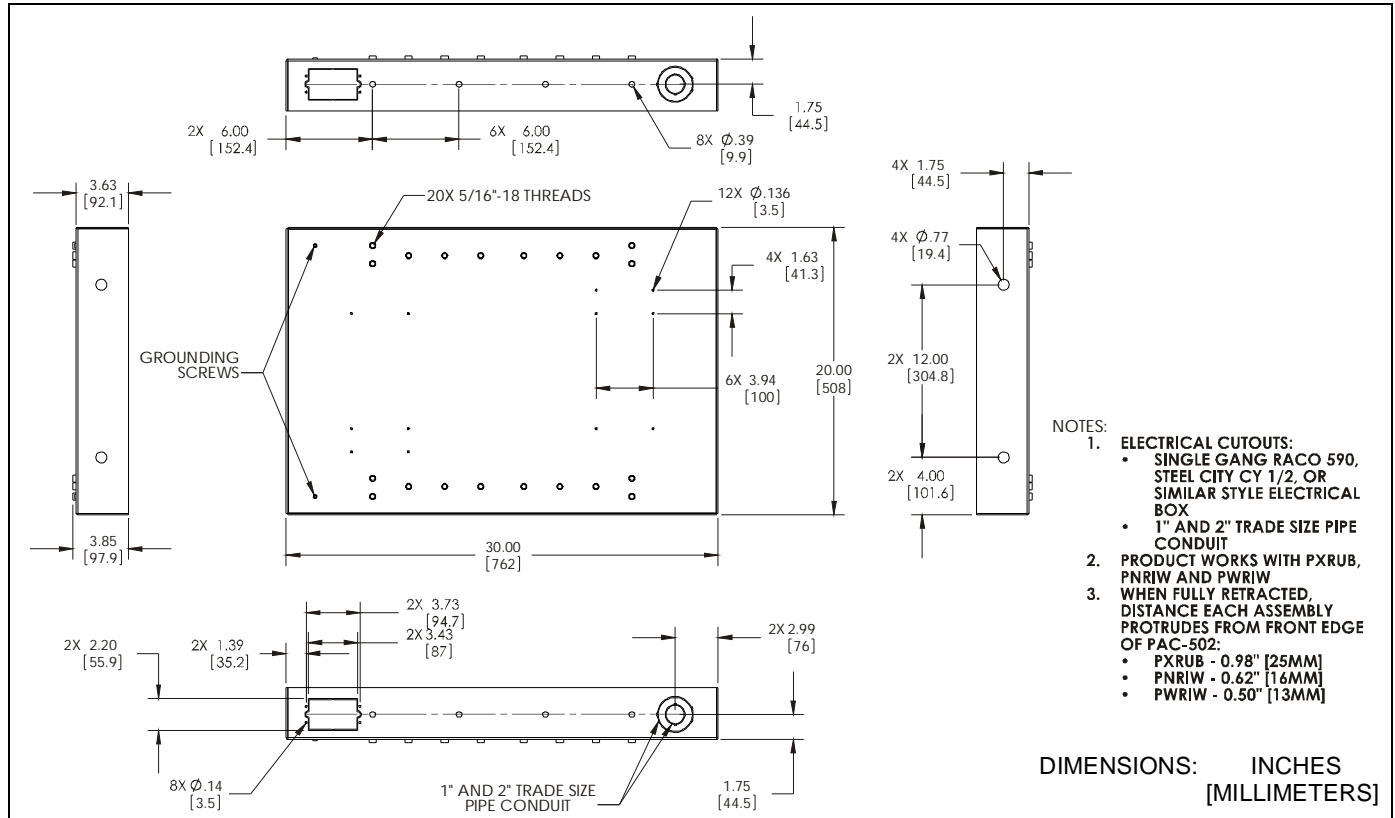


WARNING: Exceeding the weight capacity can result in serious personal injury or damage to equipment! It is the installer's responsibility to make sure the structure to which this accessory is attached can support the combined weight of the box and all equipment not to exceed 150 lbs (68.0 kg).

NOTES:

- SUITABLE FOR USE IN OTHER ENVIRONMENTAL AIR SPACE IN ACCORDANCE WITH SECTION 300.22, (C) OF THE NATIONAL ELECTRICAL CODE.
- The equipment shall be installed and assembled by qualified service personnel.
- The maximum specified ambient temperature of the cabinet system is 40° - 120°F (4° - 49°).
- Minimum spacings between the accessories and components and the housing for Information Technology Communication Equipment shall be maintained for safe operation of the equipment when installed in accordance with the National Electric Code, ANSI/NFPA 70-1999. Refer to communication equipment manufacturer's specifications for minimum spacings.
- This Cabinet System is for use with Listed wall mounts. Refer to the individual mount's installation instructions for compatibility.

DIMENSIONS



LEGEND

	Tighten Fastener
	Apretar elemento de fijación
	Befestigungsteil festziehen
	Apertar fixador
	Serrare il fissaggio
	Bevestiging vastdraaien
	Serrez les fixations

	Pencil Mark
	Marcar con lápiz
	Stiftmarkierung
	Marcar com lápis
	Segno a matita
	Potloodmerkten
	Marquage au crayon

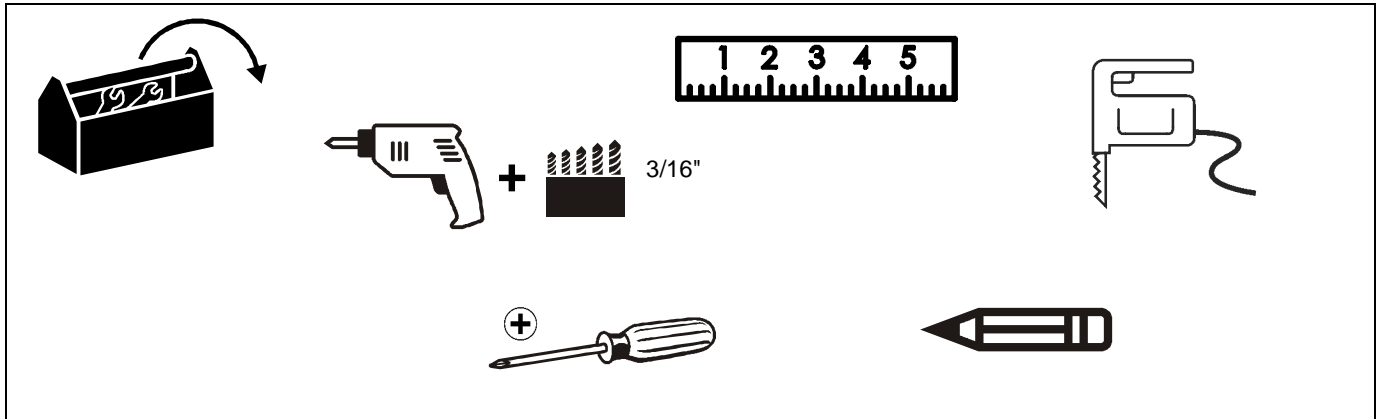
	Loosen Fastener
	Aflojar elemento de fijación
	Befestigungsteil lösen
	Desapertar fixador
	Allentare il fissaggio
	Bevestiging losdraaien
	Desserrez les fixations

	Drill Hole
	Perforar
	Bohrloch
	Fazer furo
	Praticare un foro
	Gat boren
	Percez un trou

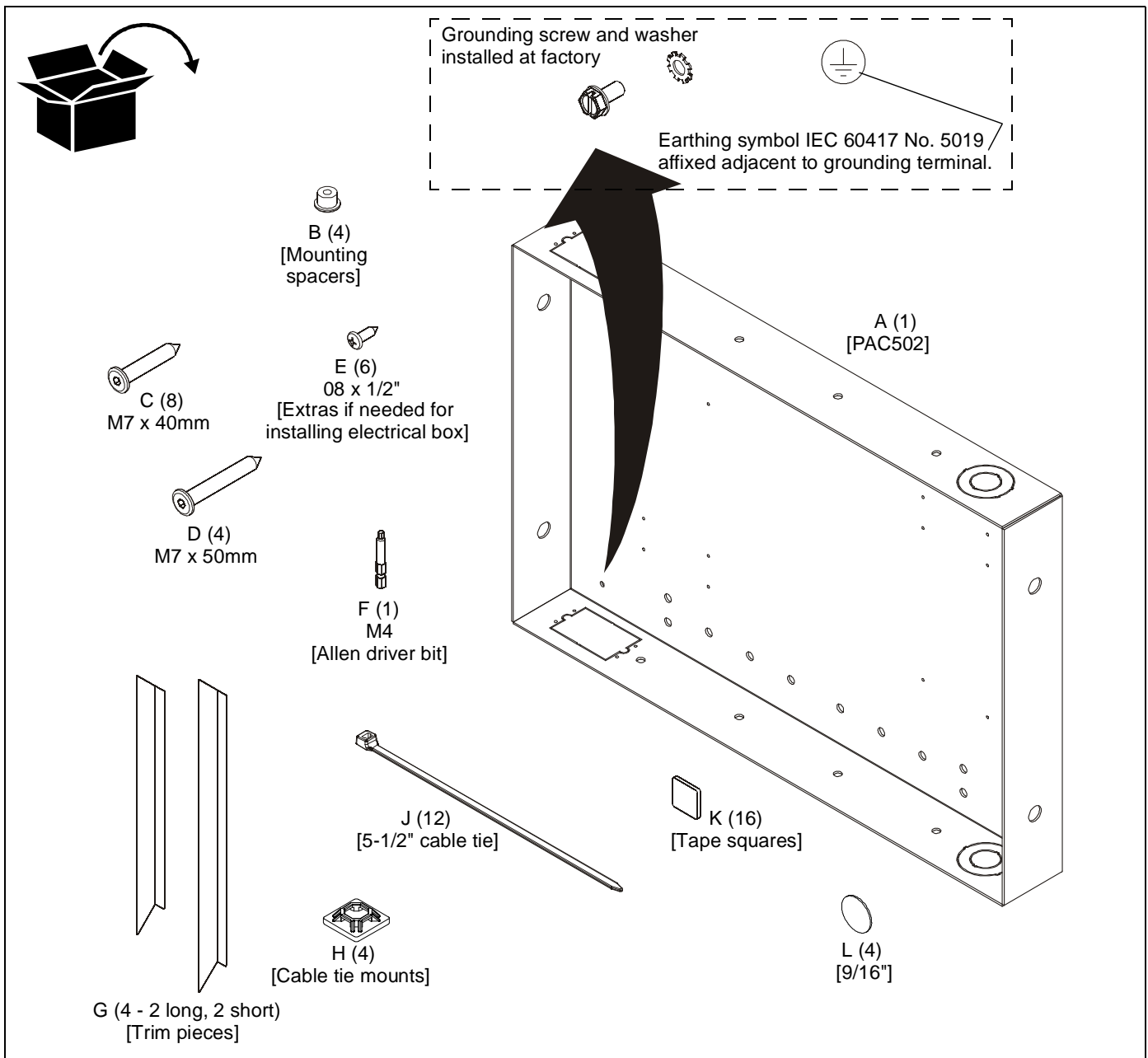
	Phillips Screwdriver
	Destornillador Phillips
	Kreuzschlitzschraubendreher
	Chave de fendas Phillips
	Cacciavite a stella
	Kruiskopschroevendraaier
	Tournevis à pointe cruciforme

	Hex-Head Wrench
	Llave de cabeza hexagonal
	Sechskantschlüssel
	Chave de cabeça sextavada
	Chiave esagonale
	Zeskantsleutel
	Clé à tête hexagonale

TOOLS REQUIRED FOR INSTALLATION



PARTS



INSTALLATION



WARNING: IMPROPER INSTALLATION CAN RESULT IN DEATH OR SERIOUS PERSONAL INJURY! This accessory should be installed by qualified personnel.

Site Preparation

Locate and Prepare Mounting Site

1. Identify a suitable wall location for the in-wall enclosure.

IMPORTANT ! : The PAC502 is designed for in-wall installation spanning a minimum of three wood studs, 16" on center. Installation of PAC502 in 2 x 4 wall results in nearly direct contact with vertical studs and back wall. Inadequate space will remain for electrical wires/cables, plumbing, ductwork, or insulation. Locate installation accordingly.



WARNING: ELECTRICAL SHOCK HAZARD! CUTTING OR DRILLING INTO ELECTRICAL WIRES OR CABLES CAN CAUSE DEATH OR SERIOUS PERSONAL INJURY! ALWAYS make certain area behind mounting surfaces is free of electrical wires and cables before cutting, drilling, or installing fasteners.



WARNING: EXPLOSION AND FIRE HAZARD! CUTTING OR DRILLING INTO GAS PLUMBING CAN CAUSE DEATH OR SERIOUS PERSONAL INJURY! ALWAYS make certain area behind mounting surfaces is free of gas, water, waste, or any other plumbing before cutting, drilling, or installing fasteners.

2. Using a stud sensor, locate and mark studs.
3. Center and level housing between marked studs.
4. Using PAC502 (A) as a template, draw pencil line completely around in-wall enclosure. (See Figure 1)
5. Cut drywall on *outside* edge of line and remove.

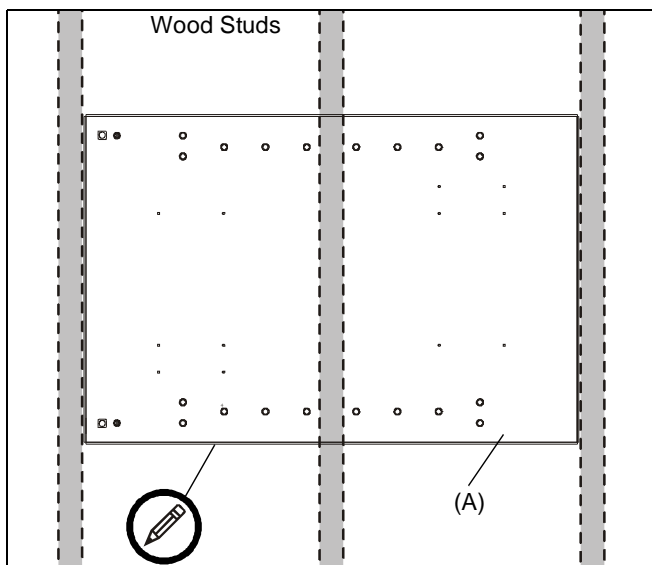


Figure 1

Frame Housing

The exposed portion of the center wood stud must be removed and the resulting cavity completely framed with wood. The following steps are suggested. The actual procedure is dependent upon the specific installation.



WARNING: STRUCTURAL FAILURE HAZARD! FAILURE TO TAKE ADEQUATE PRECAUTIONS CAN LEAD TO DEATH OR SERIOUS INJURY! Ensure removal of center stud will not cause unacceptable loss of structural strength. Consult a qualified building contractor and applicable building codes.

1. Remove exposed portion of center wood stud flush with upper and lower drywall edges.

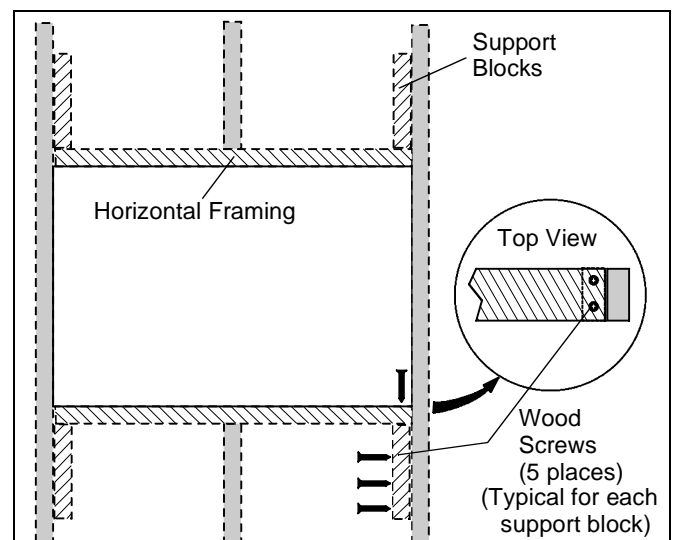


Figure 2

2. Cut four 8" long support blocks out of 2" x 4" wood.
3. Using three #10 x 2-1/2" countersunk wood screws (not provided), attach each support block to the studs (See Figure 2)

NOTE: Ensure screws are far enough from block end to prevent interference with framing screws installed in **In-Wall Enclosure Installation** section.

4. If necessary, cut rectangular hole in horizontal framing to accommodate the PAC-GB1 Listed electrical box accessory (not included).
5. Attach horizontal framing to each support block with two #10 x 2-1/2" countersunk wood screws (not provided). (See Figure 2)

In-Wall Enclosure Installation

1. Install PAC-GB1 Listed electrical box accessory (not included) into the PAC502 (A) following instructions included with the PAC-GB1.
2. Connect electrical wiring according to National Electrical Code(NEC) ANSI/NFPA 70 - 2008, wire connection requirements.
3. Route audio/visual cables into housing.

- Center PAC502 (A) in opening and insert into opening. Align front of box with front face of wall. (See Figure 3)

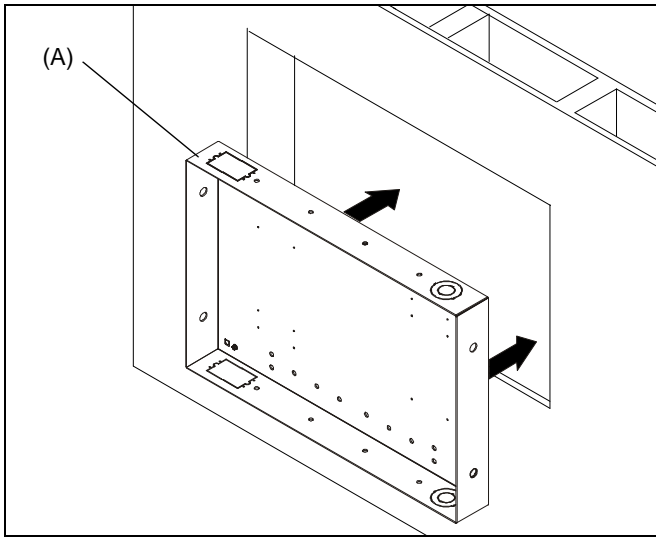


Figure 3

WARNING: ELECTRICAL SHOCK HAZARD! CUTTING OR DRILLING INTO ELECTRICAL WIRES OR CABLES CAN CAUSE DEATH OR SERIOUS PERSONAL INJURY! ALWAYS make certain area behind mounting surfaces is free of electrical wires and cables before cutting, drilling, or installing fasteners.

- Drill four 3/16" diameter pilot holes in studs at side mounting holes. (See Figure 4)
- Attach the PAC502 (A) to side studs using four M7 x 50mm Allen head connector screws (D) and mounting spacers (B) using an M4 Allen head drill bit (F). (See Figure 4)

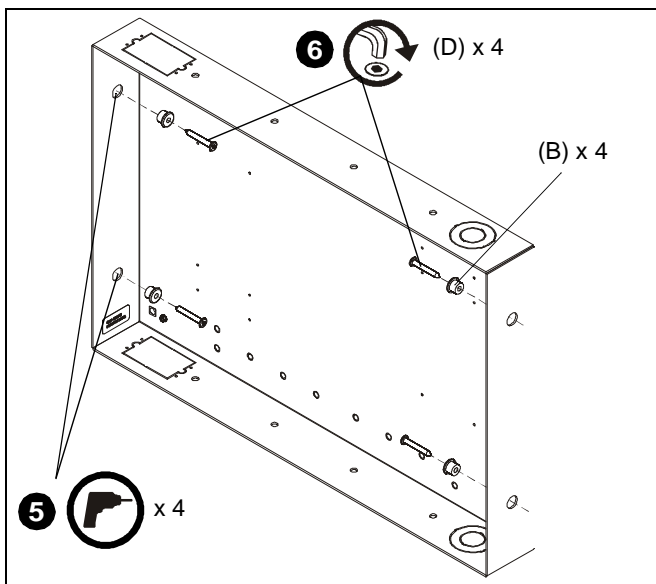


Figure 4

NOTE: The PAC502 has 1/2" total clearance between the two studs. The spacers allow side to side adjustment.

- Drill eight 3/16" diameter pilot holes in horizontal framing at top and bottom mounting holes. (See Figure 5)
- Attach the PAC502 (A) to horizontal framing using eight M7 x 40mm Allen head connector screws (C) using an M4 Allen head drill bit (F). (See Figure 5)

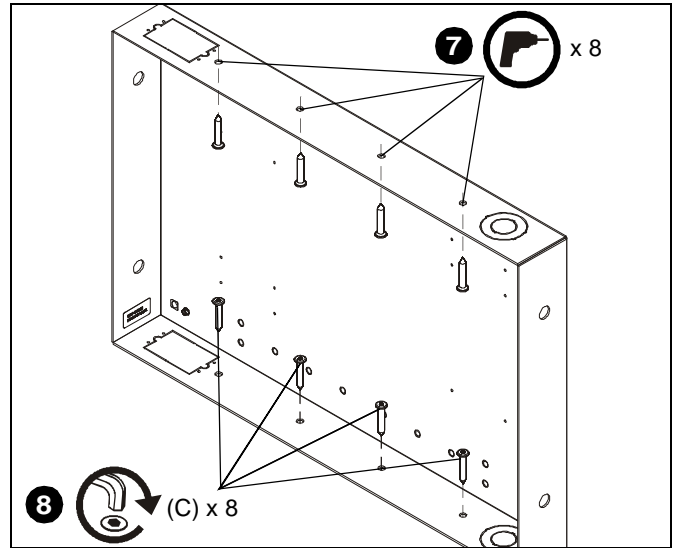


Figure 5

DANGER: IMPROPER WIRING CAN LEAD TO DEATH OR SEVERE PERSONAL INJURY! Grounding must be installed by qualified personnel using a UL Recognized No. 12AWG Green and Yellow grounding wire connected to grounding lug on mount.

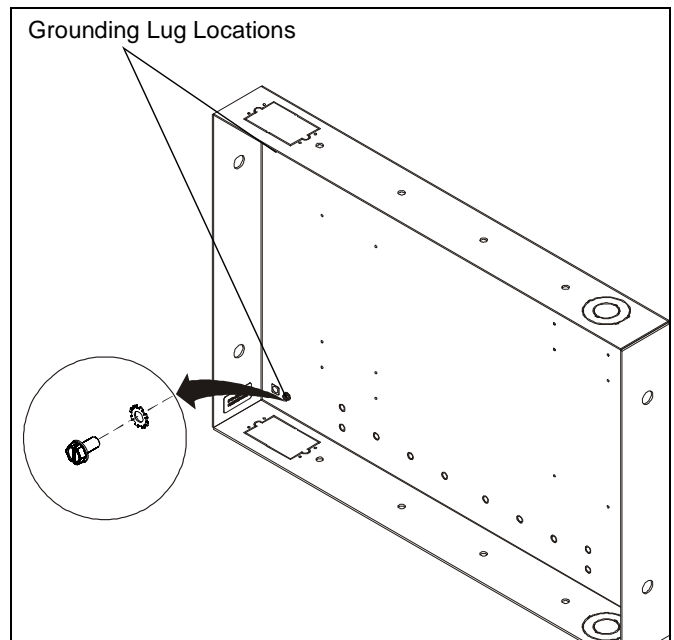


Figure 6

Trim Kit (Optional)

1. Remove paper covering adhesive and affix three tape squares (K) to inside lower flange of each trim piece (G). (See Figure 7)
2. Orient trim pieces (G). (See Figure 7)
3. Remove paper covering adhesive back from tape squares (K) on trim and press trim (G) against inner wall of box. (See Figure 7)

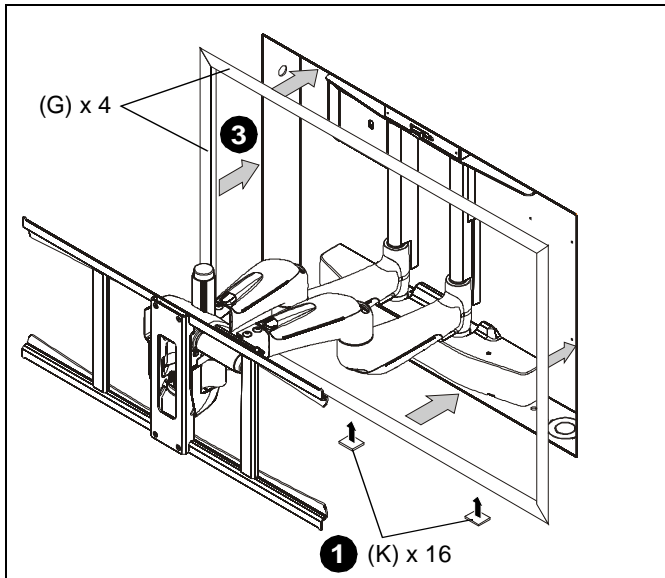


Figure 7

Installing Mount Assembly

1. Install mount assembly following instructions included with the mount.
2. OPTIONAL: Cover unused mounting holes in PAC502 with 9/16" caps (L).

Cable Management

1. Attach all cables to display.
2. If necessary, use cable tie mounts (H) and cable ties (J) to secure cables within PAC502.



Our Mounts. **Your Vision.**

Chief Manufacturing, a products division
of Milestone AV Technologies

8807-002019 Rev02

©2010 Milestone AV Technologies,
a Duchossois Group Company

www.chiefmfg.com

11/10

USA/International

A 8401 Eagle Creek Parkway, Savage, MN 55378

P 800.582.6480 / 952.894.6280

F 877.894.6918 / 952.894.6918

Europe

A Fellenoord 130 5611 ZB EINDHOVEN, The Netherlands

P +31 (0)40 2668620

F +31 (0)40 2668615

Asia Pacific

A Office No. 1 on 12/F, Shatin Galleria
18-24 Shan Mei Street

Fotan, Shatin, Hong Kong

P 852 2145 4099

F 852 2145 4477



Free Manuals Download Website

<http://myh66.com>

<http://usermanuals.us>

<http://www.somanuals.com>

<http://www.4manuals.cc>

<http://www.manual-lib.com>

<http://www.404manual.com>

<http://www.luxmanual.com>

<http://aubethermostatmanual.com>

Golf course search by state

<http://golfingnear.com>

Email search by domain

<http://emailbydomain.com>

Auto manuals search

<http://auto.somanuals.com>

TV manuals search

<http://tv.somanuals.com>