

Over-the-Side Immersion Heaters

Application & Selection Guidelines

Applications

The large variation in heating element material and shapes of over-the-side immersion heaters offers a wide selection in the application of these units. Water, oils, solvents, plating baths, salts and acids are some of the many liquids and viscous materials commonly heated with immersion heaters. Over-the-side types permit portability, easy removal for cleaning of tanks and heaters and ample working area within the tank when installed.

Important — When selecting a tank heater design, the user should make sure the sheath material is suitable for the solution being heated at the maximum temperature expected, with proper safety factor.

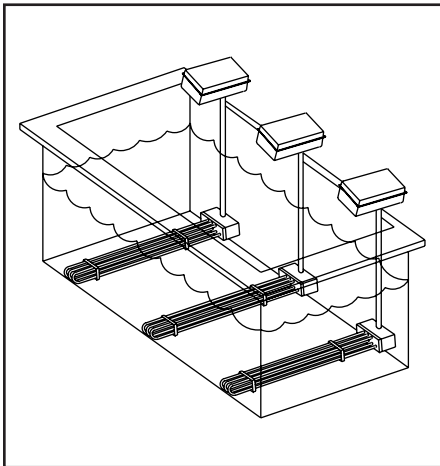
Sheath Material — Selection Guidelines¹

Material Being Heated	Typical Sheath Material
Clean Water (pH6 to pH8)	Copper
Demineralized or De-ionized Water	Stainless Steel (passivated) INCOLOY® Fluoropolymer
Medium Weight Oil, Alkaline Cleaning (low concentration) Mild Soaking Cleaners	Steel
Mild to Medium Corrosive Solutions, Many Oxidizing Acids, Organic Chemicals, Mild Aqueous Solutions	Stainless Steel INCOLOY®
Chromic Acid (10%), Nitric Acid (to 65%) Salt Brine, Many Plating Solutions (i.e. Nickel, Silver, Zinc, Gold)	Titanium
Soft Metal Melting	Cast Iron
Molten Metal, High Corrosive	Ceramic
Most Acids, Plating Solutions, Pickling Solutions	Fluoropolymer Quartz ²

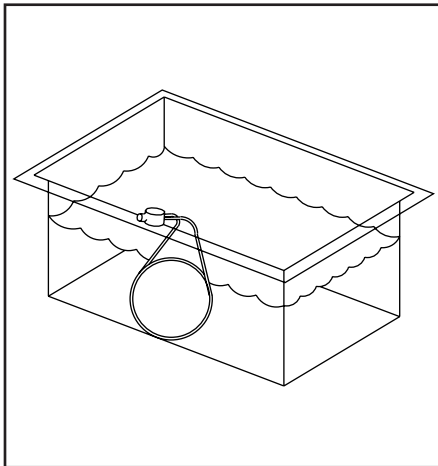
1. Consult Corrosion Guide in the Technical section for specific material recommendations.
2. Not for use in hydrofluoric acid and alkaline solutions.

OVER-THE-SIDE

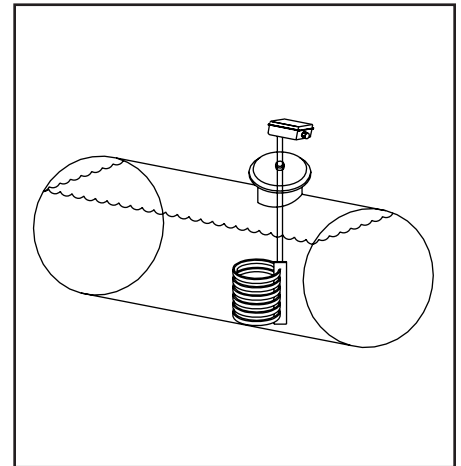
L-Shaped Installation



Side Mount Installation



Deep Tank Installation



Over-the-Side Immersion Heaters — Selection Guidelines

Heater	Model	Page
L-Shaped Metal Sheath	TLC & KTLC	B-115
	TLO & KTLO	B-116
	TLs & KTLS	B-117
	TLI & KTLI	B-118
Side Mount Metal Tube	GS & GT	B-119
	GS3 & GT3	B-120
L-Shaped Metal Tube	GSL & GTL	B-121
	GSL3 & GTL3	B-122
	GSV3 & GTV3	B-123
Side Mount Quartz Tube	QM & QM3	B-124
Side Mount Metal Sheath	PTH & PTHT	B-125
	PTHF	B-126
	CT	B-127
Side Mount Fluoropolymer Coated	TPR & TPF	B-128
	GTF & GTFL	B-129
	GXF & GXFL	B-130
	GTF6 & GTF9	B-132
L-Shaped Fluoropolymer Coated	GTFL3	B-133

Heater	Model	Page
Drum Heater	KBLC & KBLS	B-134
Salt Bath Heater	TBL & TBL-A	B-135
Deep Tank Heater	BLCK-MH & BLCS	B-136
Portable Tank Heater	CH-OTS	B-137
Soft Metal Melting Heater	CIT	B-138
Ceramic Sheath	CS	B-139
Side Mount Heat Exchanger	GRT & GRS	B-141
	US & UT	B-143
	GHTF	B-144
Terminal Enclosure Dimensions		B-145
Optional Accessories		B-147

Free Manuals Download Website

<http://myh66.com>

<http://usermanuals.us>

<http://www.somanuals.com>

<http://www.4manuals.cc>

<http://www.manual-lib.com>

<http://www.404manual.com>

<http://www.luxmanual.com>

<http://aubethermostatmanual.com>

Golf course search by state

<http://golfingnear.com>

Email search by domain

<http://emailbydomain.com>

Auto manuals search

<http://auto.somanuals.com>

TV manuals search

<http://tv.somanuals.com>