

ServView KVM Drawer (1U) with Trackball or GlidePoint Mouse

Combines a keyboard with integrated trackball or glidepoint mouse and 15", 17", 19", or 19" wide LCD monitor into a drawer.

KVT319A-WIDE model with 19" wide-screen monitor is now available.
KVT315A, KVT317A, and KVT319A have a trackball mouse.
KVT319A-WIDE has a GlidePoint® mouse.



Customer Support Information

Order toll-free in the U.S.: Call 877-877-BBOX (outside U.S. call 724-746-5500) •
FREE technical support 24 hours a day, 7 days a week: Call 724-746-5500 or fax 724-746-0746 •
Mailing address: Black Box Corporation, 1000 Park Drive, Lawrence, PA 15055-1018 •
Web site: www.blackbox.com • E-mail: info@blackbox.com

Trademarks Used in This Manual

Black Box and the Double Diamond logo are registered trademarks, and ServTray and ServSwitch are trademarks, of BB Technologies, Inc.

Centronics is a registered trademark of Centronics Corporation.

GlidePoint is a registered trademark of Cirque Corporation.

PS/2 is a registered trademark of International Business Machines Corporation.

UL is a registered trademark of Underwriters Laboratories Inc.

Any other trademarks mentioned in this manual are acknowledged to be the property of the trademark owners.

We're here to help! If you have any questions about your application or our products, contact Black Box Tech Support at **724-746-5500** or go to **blackbox.com** and click on "Talk to Black Box." You'll be live with one of our technical experts in less than 20 seconds.

Federal Communications Commission and Industry Canada Radio Frequency Interference Statements

This equipment generates, uses, and can radiate radio-frequency energy, and if not installed and used properly, that is, in strict accordance with the manufacturer's instructions, may cause interference to radio communication. It has been tested and found to comply with the limits for a Class A computing device in accordance with the specifications in Subpart B of Part 15 of FCC rules, which are designed to provide reasonable protection against such interference when the equipment is operated in a commercial environment. Operation of this equipment in a residential area is likely to cause interference, in which case the user at his own expense will be required to take whatever measures may be necessary to correct the interference.

Changes or modifications not expressly approved by the party responsible for compliance could void the user's authority to operate the equipment.

This digital apparatus does not exceed the Class A limits for radio noise emission from digital apparatus set out in the Radio Interference Regulation of Industry Canada.

Le présent appareil numérique n'émet pas de bruits radioélectriques dépassant les limites applicables aux appareils numériques de la classe A prescrites dans le Règlement sur le brouillage radioélectrique publié par Industrie Canada.

Instrucciones de Seguridad (Normas Oficiales Mexicanas Electrical Safety Statement)

1. Todas las instrucciones de seguridad y operación deberán ser leídas antes de que el aparato eléctrico sea operado.
2. Las instrucciones de seguridad y operación deberán ser guardadas para referencia futura.
3. Todas las advertencias en el aparato eléctrico y en sus instrucciones de operación deben ser respetadas.
4. Todas las instrucciones de operación y uso deben ser seguidas.
5. El aparato eléctrico no deberá ser usado cerca del agua—por ejemplo, cerca de la tina de baño, lavabo, sótano mojado o cerca de una alberca, etc.
6. El aparato eléctrico debe ser usado únicamente con carritos o pedestales que sean recomendados por el fabricante.
7. El aparato eléctrico debe ser montado a la pared o al techo sólo como sea recomendado por el fabricante.
8. Servicio—El usuario no debe intentar dar servicio al equipo eléctrico más allá a lo descrito en las instrucciones de operación. Todo otro servicio deberá ser referido a personal de servicio calificado.
9. El aparato eléctrico debe ser situado de tal manera que su posición no interfiera su uso. La colocación del aparato eléctrico sobre una cama, sofá, alfombra o superficie similar puede bloquea la ventilación, no se debe colocar en libreros o gabinetes que impidan el flujo de aire por los orificios de ventilación.
10. El equipo eléctrico debe ser situado fuera del alcance de fuentes de calor como radiadores, registros de calor, estufas u otros aparatos (incluyendo amplificadores) que producen calor.
11. El aparato eléctrico deberá ser conectado a una fuente de poder sólo del tipo descrito en el instructivo de operación, o como se indique en el aparato.
12. Precaución debe ser tomada de tal manera que la tierra física y la polarización del equipo no sea eliminada.
13. Los cables de la fuente de poder deben ser guiados de tal manera que no sean pisados ni pellizcados por objetos colocados sobre o contra ellos, poniendo particular atención a los contactos y receptáculos donde salen del aparato.
14. El equipo eléctrico debe ser limpiado únicamente de acuerdo a las recomendaciones del fabricante.
15. En caso de existir, una antena externa deberá ser localizada lejos de las líneas de energía.
16. El cable de corriente deberá ser desconectado del cuando el equipo no sea usado por un largo periodo de tiempo.
17. Cuidado debe ser tomado de tal manera que objetos líquidos no sean derramados sobre la cubierta u orificios de ventilación.
18. Servicio por personal calificado deberá ser provisto cuando:
 - A: El cable de poder o el contacto ha sido dañado; u
 - B: Objetos han caído o líquido ha sido derramado dentro del aparato; o
 - C: El aparato ha sido expuesto a la lluvia; o
 - D: El aparato parece no operar normalmente o muestra un cambio en su desempeño; o
 - E: El aparato ha sido tirado o su cubierta ha sido dañada.

1. Specifications	6
2. Overview	8
2.1 Introduction.....	8
2.2 What's Included.....	8
2.3 Hardware Description	9
2.3.1 KVT315A, KVT317A, KVT319A	9
2.3.2 KVT319A-WIDE	10
3. Installation	11
3.1 How to Use the Slides with the KVT315A, KVT317A, KVT319A.....	11
3.2 How to Use the Slides with the KVT319A-WIDE.....	12
3.3 Connect to a Server via USB Interface	15
4. Operation	16
4.1 On-Screen Display Operation.....	16
4.2 DVI-D Option	17
5. Troubleshooting	18
5.1 Calling Black Box	18
5.2 Shipping and Packaging	18

ServView KVM Drawer (1U) with Trackball or GlidePoint Mouse and LCD

1. Specifications

Approvals: ServView KVM Drawer: CE, FCC;
Power supply: UL®, TUV, CE

Backlight: (4) cold cathode fluorescent tubes

Brightness (cd/m²): KVT315A, KVT317A, KVT319A: 250;
KVT319A-WIDE: 300

Color: KVT315A, KVT317A: 16.2 million;
KVT319A, KVT319A-WIDE: 16.7 million

Contrast Ratio (Typical): KVT315A: 300:1;
KVT317A: 350:1;
KVT319A: 500:1
KVT319A-WIDE: 1000:1

Display Area: KVT315A: 12" x 9" (30.5 x 22.9 cm);
KVT317A: 13.3" x 10.6" (33.8 x 26.9 cm);
KVT319A: 14.8" x 11.9" (37.6 x 30.2 cm);
KVT319A-WIDE: 16" x 10" (40.8 x 25.5 cm)

Input Signal: KVT315A, KVT317A, KVT319A: Analog RGB, 0.7 Vp-p;
KVT319A-WIDE: Analog RGB, 0.7 Vp-p, Digital

OSD Control: Brightness, contrast, color, clock; H. position, V. position, phase, scaling; auto configuration, input select, multi-window; Clear EEPROM, OSD adjust

Pixel Pitch: KVT315A: 0.0117" (0.297 mm);
KVT317A: 0.0104" (0.264 mm);
KVT319A: 0.0116" (0.294 mm);
KVT319A-WIDE: 0.011" (0.285 mm)

Resolution: KVT315A: Up to 1024 x 768;
KVT317A, KVT319A: Up to 1280 x 1024;
KVT319A-WIDE: Up to 1440 x 900

NOTE: For optimum video performance, VGA resolution should be set to 1280 x 1024.

Response Time: KVT315A, KVT317A: 5 ms;
KVT319A: 15 ms;
KVT319A-WIDE: 8 ms

Sync Type: Separate H/V, Composite, SOG

Viewing Angle (Typical): KVT315A, KVT317A: 140° x 120°;
KVT319A: 170° x 170°;
KVT319A-WIDE: 160° x 160°

Connectors: All models: Video input: (1) HD15 F for VGA, PS/2, and USB;
KVT319A-WIDE: Also (1) DVI-D F for DVI, (1) Power

Temperature: Operating: +32 to +122° F (0 to +50° C);
Storage: -4 to +140° F (-20 to +60° C)

Humidity (Relative): Operating: 8–95%;
Storage: Less than or equal to 95%

Power: 12-VDC adapter, VESA DPMS power management

Size: KVT315A, KVT317A: 1.8"H x 17.3"W x 17.3"D (4.6 x 43.9 x 43.9 cm);

KVT319A: 1.8"H x 17.4"W x 18.9"D (4.6 x 44.2 x 48 cm);

KVT319A-WIDE: 1.7"H x 23.6"W x 17.4"D (4.4 x 60 x 44.2)

Weight: KVT315A: 41.8 lb. (19 kg);

KVT317A: 44 lb. (20 kg);

KVT319A: 48.4 lb. (22 kg);

KVT319A-WIDE: 40 lb. (18 kg)

2. Overview

2.1 Introduction

The ServView KVM Drawer (1U) with Trackball Mouse and 15", 17", or 19" LCD (KVT315A, KVT317A, KVT319A) combines a keyboard with integrated trackball mouse and monitor into a drawer. The ServView KVM Drawer (1U) with GlidePoint Mouse (KVT319A-WIDE) combines a keyboard with integrated GlidePoint mouse and 19" monitor into a drawer. All models feature a flip-up design, adjustable brackets, and a built-in on-screen display (OSD) to adjust display settings. Four models are available: a 15" LCD screen (KVT315A), a 17" LCD screen (KVT317A), a 19" LCD screen (KVT319A), and a 19" wide-screen LCD (KVT319A-WIDE).

2.2 What's Included

The drawer attaches to mounting brackets (included) that adjust from 15.4" to 25.6" (39.1 to 65 cm) (front-to-rear 19" mounts). The ServView KVM Drawer also has on-screen menus that support multiple languages. For extra security, the drawer has a front-access lock. Plus, it includes a 12-VAC, 5A single-power-source remote power adapter.

Your package should contain the following items. If anything is missing or damaged, please contact Black Box at 724-746-5500.

- (1) ServView KVM Drawer (1U) with Trackball Mouse and 15", 17", or 19" LCD or
(1) ServView KVM Drawer (1U) with GlidePoint Mouse and 19" wide-screen LCD
- (1) DC power adapter (KVT315A, KVT317A, KVT319A models only)
- (1) Monitor support bracket (KVT315A, KVT317A, KVT319A models only)
- (2) Keys for front-access lock (KVT315A, KVT317A, KVT319A models only)
- (1) DVI-D/ DVI-D, M/M (dual-link pins supported, KVT319A-WIDE model only)
- (1) US Power cord
- (2) Mounting brackets
- (4) 3.2*6mm fasteners for mounting brackets
- (8) 6*15mm screws with associated washers for mounting KVM Drawer in cabinet
- (1) 4-in-1 KVM cable with USB Type A female to PS/2 male adapter
- (1) Quick install guide
- (1) CD-ROM with user manual

Place the KVM drawer in a suitable environment, as described below.

- Position the ServView KVM Drawer on a stable and level surface, or mount it in a suitable cabinet.
- The location should be well ventilated, out of direct sunlight, and away from sources of excessive dust, dirt, heat, water, moisture, and vibration.

2.3 Hardware Description

2.3.1 KVT315A, KVT317A, KVT319A

Figure 2-1 shows the KVM drawer's components. Table 2-1 describes these components.

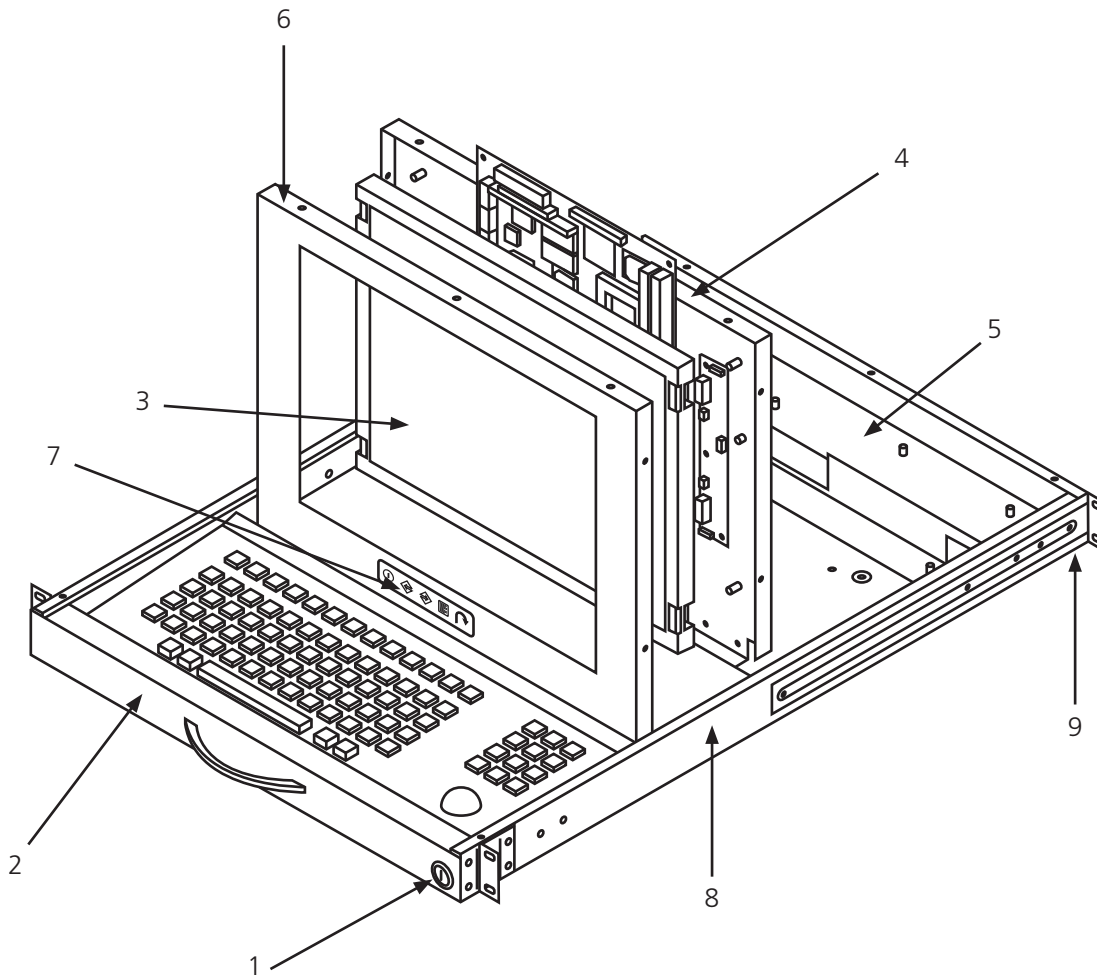


Figure 2-1. The ServView KVM Drawer (KVT315A, KVT317A, KVT319A) assembly.

Table 2-1. The ServView KVM Drawer's components.

Number	Component
1	PS/2® keyboard with integrated trackball mouse
2	LCD keyboard tray
3	Class A active matrix TFT LCD panel
4	Analog to digital signal converter board
5	Rear metal case
6	Aluminum front cover
7	LCD inverter
8	Ball bearing telescopic slides with stopper
9	Adjustable mounting bracket

2.3.2 KVT319A-WIDE

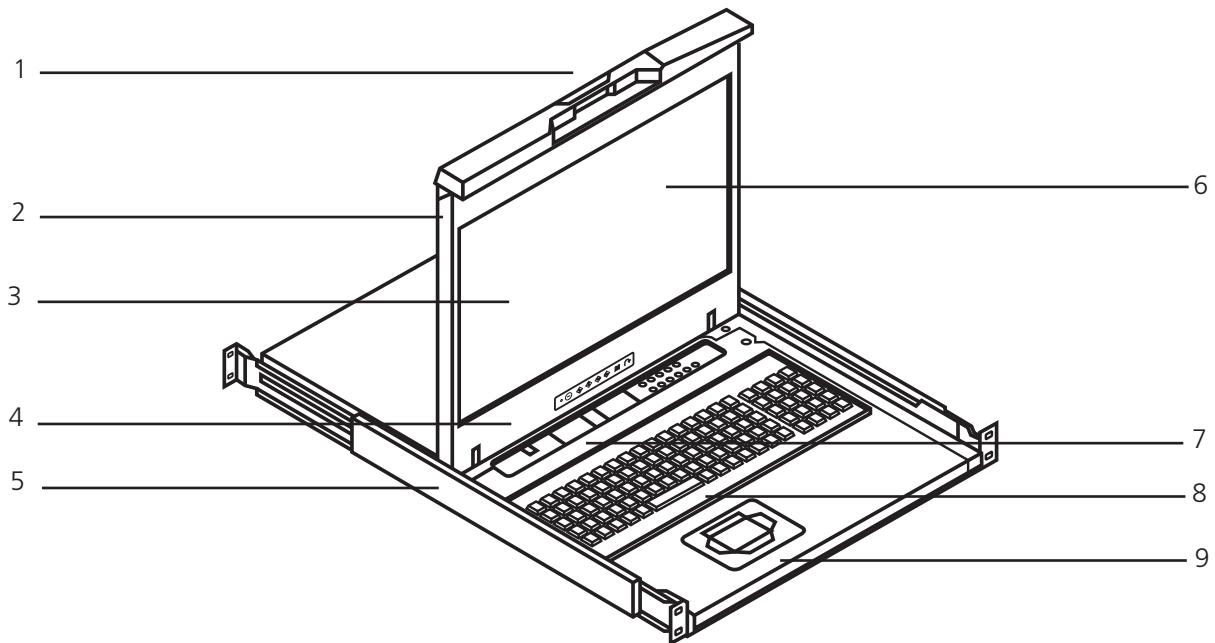


Figure 2-2. The ServView KVM Drawer (KVT319A-WIDE) assembly.

Table 2-2. The ServView KVM Drawer's components.

Number	Component
1	Carry handle to release the two-point lock
2	Two-point lock
3	LCD interchangeable module kit
4	LCD membrane
5	"One man" installation slides
6	Micro switch for screen auto power off
7	Membrane switch (KVM option)
8	Keyboard interchangeable module kit
9	Mouse interchangeable module kit

3. Installation

3.1 How to Use the Slides with the KVT315A, KVT317A, or KVT319A

1. Install each rear L-bracket using two fasteners shown in Figure 3-1. Leave the fasteners slightly loose.

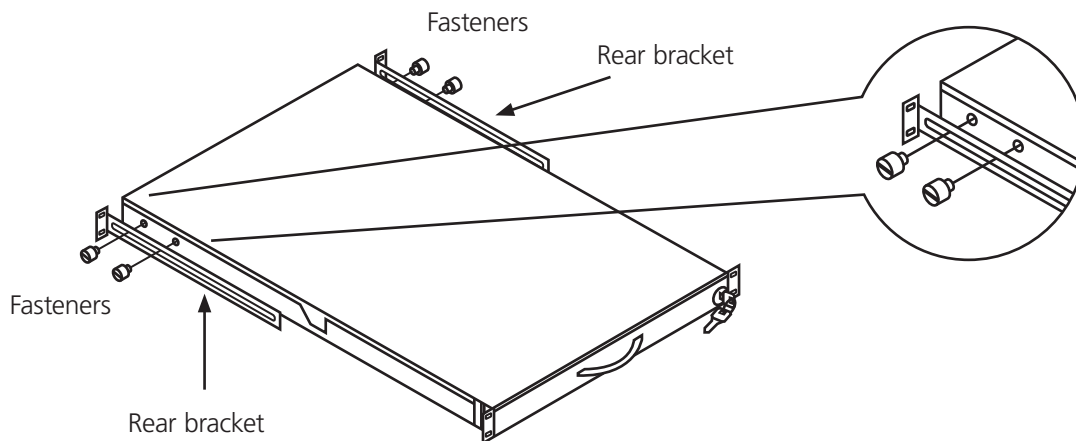


Figure 3-1. Installing the rear L-bracket to the LCD keyboard drawer.

2. Measure the front and rear mounting depth of the rack.
3. Align each rear L-bracket to a suitable length and tighten the fasteners shown in Figure 3-2.

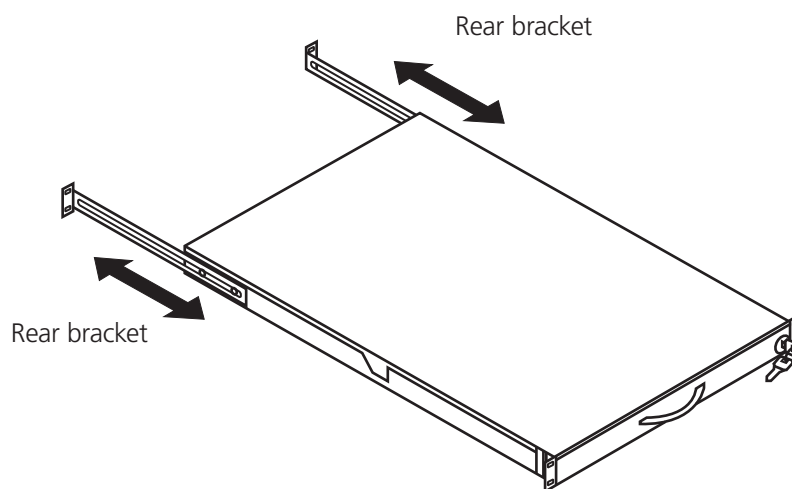


Figure 3-2. Aligning the rear L-brackets to a suitable length for the rack.

4. Install the LCD keyboard drawer into the rack.

NOTE: Hardware (screws and cage nuts) for attaching the mounting bracket to the rack is not included.

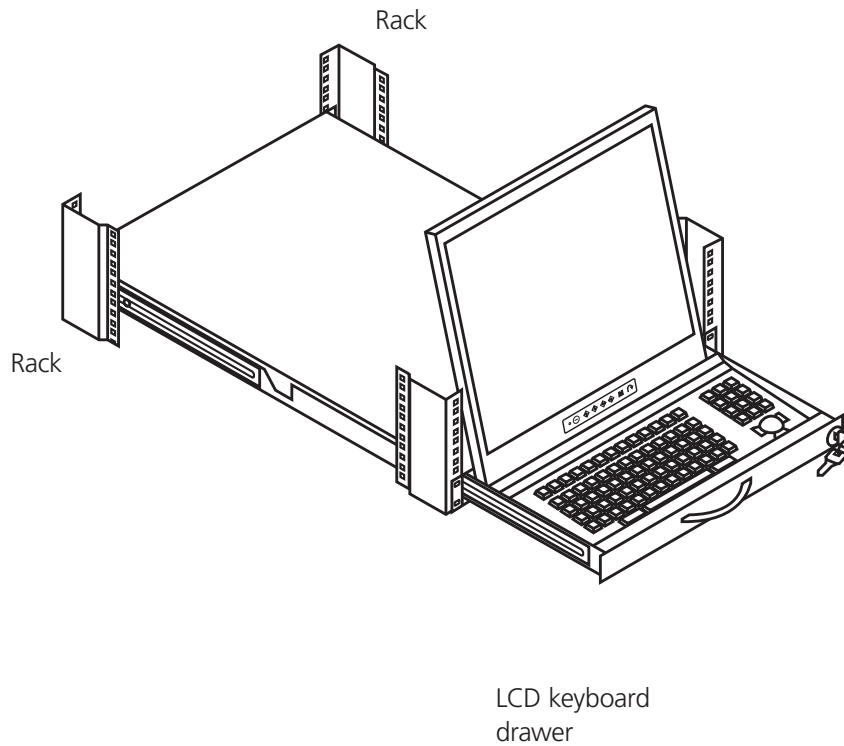


Figure 3-3. Installing the LCD keyboard drawer into the rack.

3.2 How to Use the Slides with the KVT319A-WIDE

1. Attach the left and right mounting bracket to the rack's 19" mounting rails.
2. Adjust the mounting bracket to fit your rack.
3. Install the (8) M6 screws and cup washers (included), but do not tighten them yet.

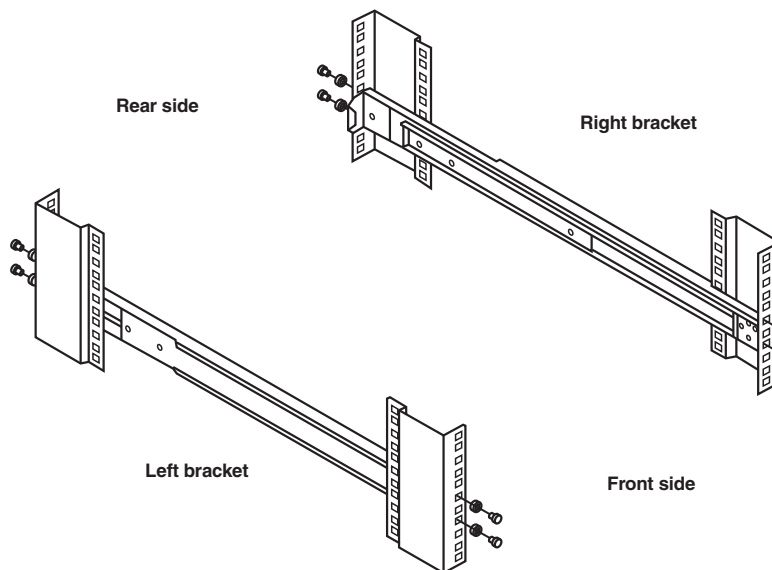


Figure 3-4. Attach the mounting brackets to the rails.

4. Pull out the left and right inner slide members.

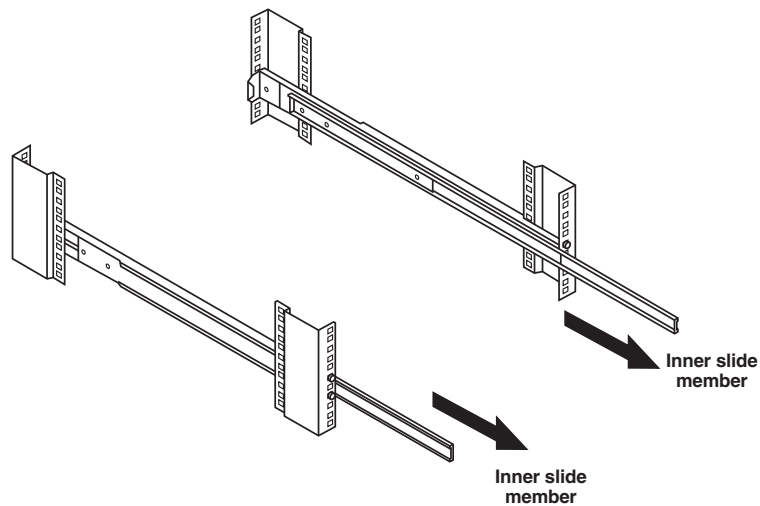


Figure 3-5. Pull out inner slide members.

5. Pick up the LCD tray.
6. Insert the LCD tray into the mounting bracket.
7. Pull and hold the left and right black arrow buttons on the rail.
8. Return the LCD tray to park position.

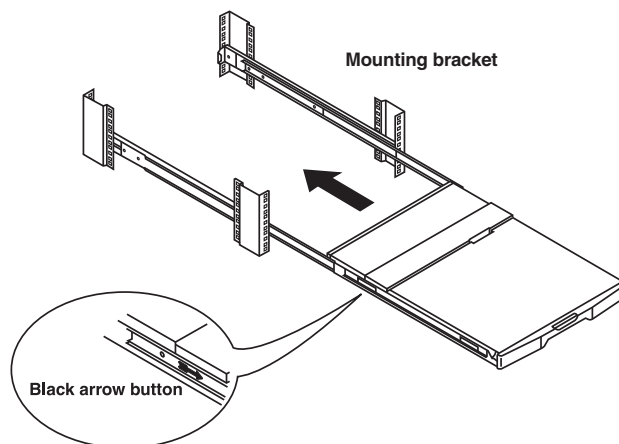


Figure 3-6. Inserting the LCD into the mounting bracket.

9. Using the included (4) M3.2 screws, attach the rear kit to the LCD tray.

CAUTION: This step is required. If you don't complete it, the KVM drawer will be damaged.

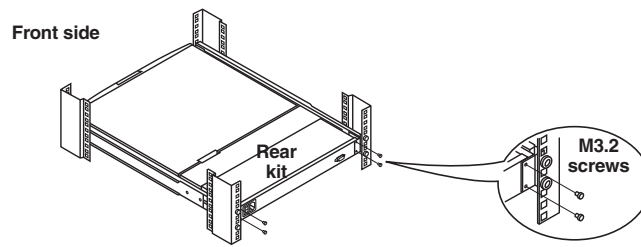


Figure 3-7. Secure the rear kit to the mounting bracket.

10. Tighten the (8) M6 screws to complete the installation.

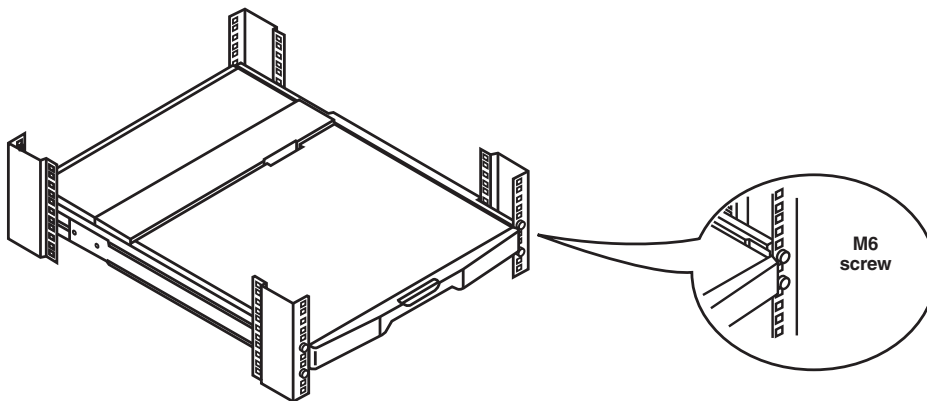


Figure 3-8. Complete the installation.

3.3 Connect to a Server via USB Interface

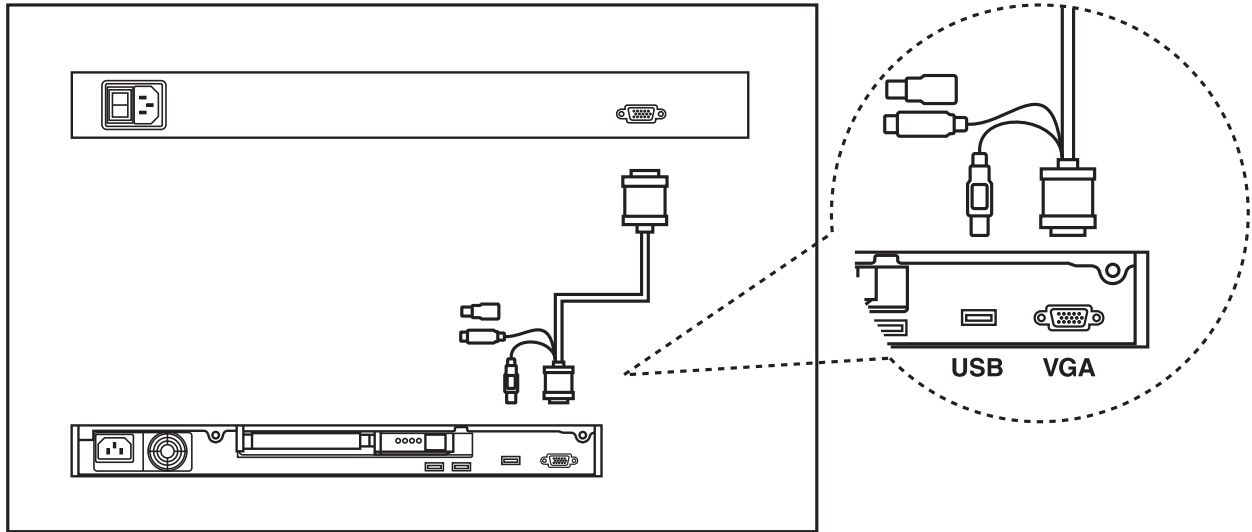


Figure 3-9. Example of connecting a 4-in-1 USB cable to a server via a USB interface.

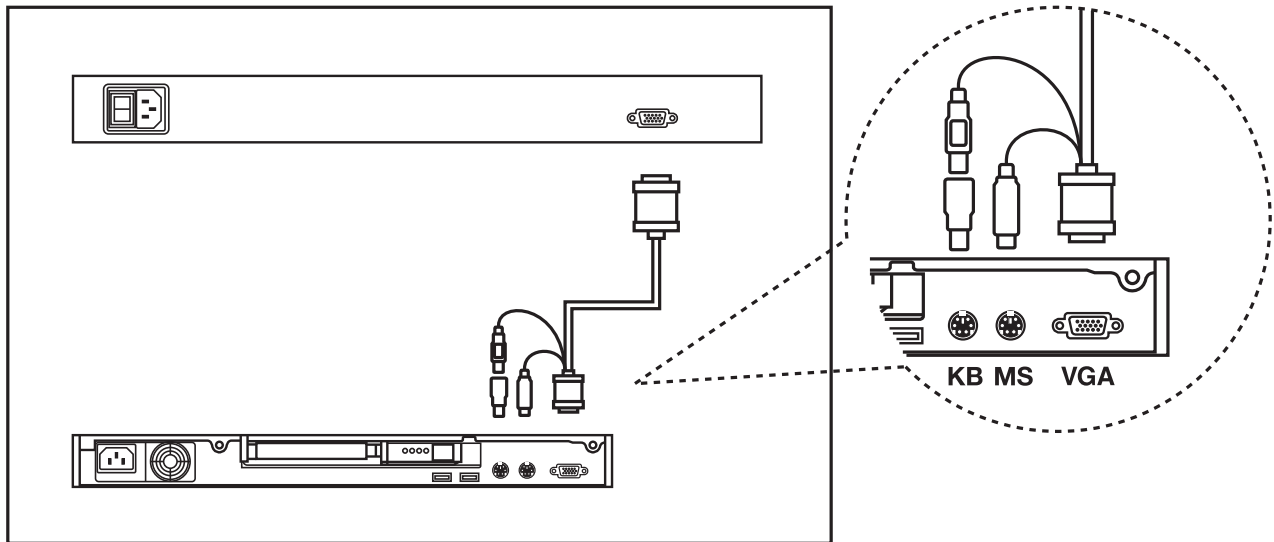


Figure 3-10. Example of connecting a 4-in-1 combo KVM cable to a server via a PS/2 interface.

4. Operation

4.1 On-Screen Display Operation

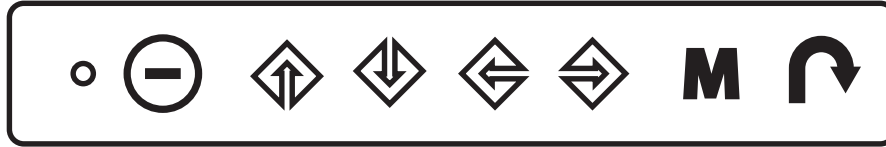












Figure 4-1. Membrane switches.

Table 4-1. Switches and their functions.

Icon	Switch	Function
  	Power light	Power light Green=On Orange=Power saving
	Power LCD	Power on/off LCD
M 	OSD menu buttons	Display the OSD menu
   	Arrow keys	Scroll through menu options and adjust the displayed control (to auto adjust, press the Exit button for five seconds).
	Exit button	Exit the OSD screen Toggle the analog, digital, and video connection (DVI-D and video options only)

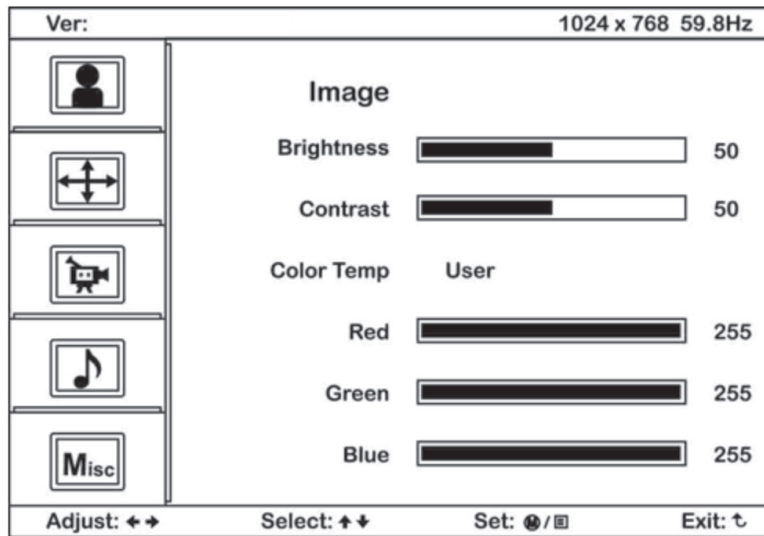







Figure 4-2. OSD configuration page.

Table 4-2. OSD configuration page menu functions.

Icon	Description
	Image: Use to enter setup for brightness, contrast, color temp., red, green, and blue.
	Geometry: Use to enter setup for the auto adjust, H position, V position, phase, and clock.
	Video: Use to enter setup for color, tint, sharpness, noise reduction, DCDi, and TV.
	Audio: Use to enter setup for volume, bass, treble, balance, AVL, and mute.
	Misc: Use to enter setup for language, OSD position, graphic mode, OSD time, ratio, reset, and timer.

4.2 DVI-D Option

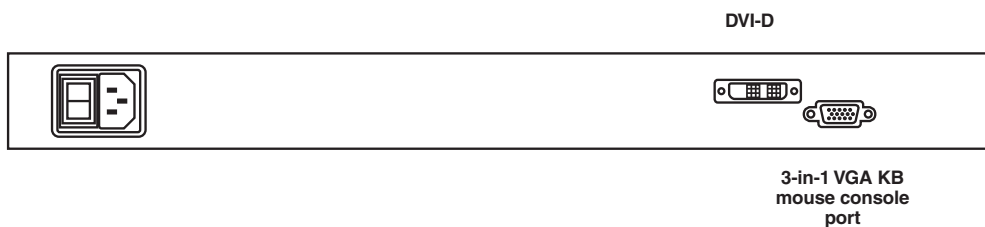


Figure 4-3. DVI-D option.

5. Troubleshooting

5.1 Calling Black Box

If you determine that your ServView KVM Drawer is malfunctioning, do not attempt to alter or repair the unit. It contains no user-serviceable parts. Contact Black Box at 724-746-5500.

Before you do, make a record of the history of the problem. We will be able to provide more efficient and accurate assistance if you have a complete description, including:

- the nature and duration of the problem.
- when the problem occurs.
- the components involved in the problem.
- any particular application that, when used, appears to create the problem or make it worse.

5.2 Shipping and Packaging

If you need to transport or ship your ServView KVM Drawer:

- Package it carefully. We recommend that you use the original container.
- If you are shipping the ServView KVM Drawer for repair, make sure you include everything that came in the original package. Before you ship, contact Black Box to get a Return Authorization (RA) number.

Black Box Tech Support: FREE! Live. 24/7.

Tech support the
way it should be.



Great tech support is just 20 seconds away at 724-746-5500 or blackbox.com.



About Black Box

Black Box Network Services is your source for more than 118,000 networking and infrastructure products. You'll find everything from cabinets and racks and power and surge protection products to media converters and Ethernet switches all supported by free, live 24/7 Tech support available in 20 seconds or less.

© Copyright 2010. All rights reserved. Black Box and the Double Diamond logo are registered trademarks of BB Technologies, Inc. Any third-party trademarks appearing in this white paper are acknowledged to be the property of their respective owners.

Free Manuals Download Website

<http://myh66.com>

<http://usermanuals.us>

<http://www.somanuals.com>

<http://www.4manuals.cc>

<http://www.manual-lib.com>

<http://www.404manual.com>

<http://www.luxmanual.com>

<http://aubethermostatmanual.com>

Golf course search by state

<http://golfingnear.com>

Email search by domain

<http://emailbydomain.com>

Auto manuals search

<http://auto.somanuals.com>

TV manuals search

<http://tv.somanuals.com>